



# PEW-A/PES-A

## Multi-speed Flashing Signal Light



Optional Rubber Gasket SZ-210

**LED**

**1 Alarm Sound** (PEW-B)

**85dB at 1m** (PEW-B)

**IP55\***

**Ø82**

**NPN Open-collector**

\* PEW-A: IP54 (IP23 with side-wire exit mounting)  
 \* PES-A: IP55 with the optional rubber gasket SZ-210 (IP23 without SZ-210).

## Dome shape LED Signal Light featuring enhanced visibility and maintenance-free operation.

### FEATURES

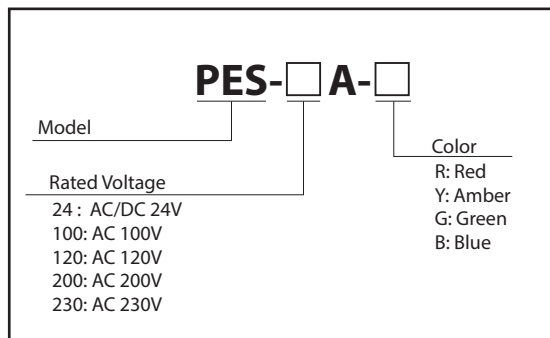
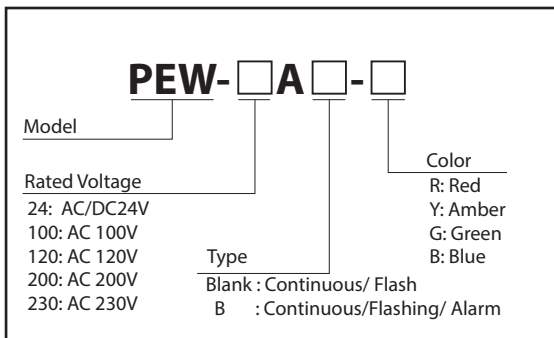
- Has maintenance-free LED's that consume nearly half the power incandescent bulb models (AC100V/200V) do.
- Newly-developed triple-reflection system for enhanced visibility and low power consumption.
- PEW-B type has a built-in adjustable audible alarm with a volume of up to 85dB (at 1m).
- Indoor installation can be upright, inverted or sideways; Outdoors is for upright only.
- The PES is rated for IP55 with the optional rubber gasket SZ-210 (IP23 without SZ-210).
- Has the CE mark and conforms to the requirements for the EC directive. (for 24V type)
- Is a UL Recognized Component (File No. E215660, for 24V, 120V, 230V types only).
- Dome is made of superior weather resistant and light translucent acrylic resin.
- Three flashing patterns of 60/120/180 fpm, switch selectable.
- The PEW is rated for IP54 (IP23 with side-wire exit mounting)
- Available colors are in Red, Amber, Green, and Blue.

### AVAILABLE BY SPECIAL ORDER

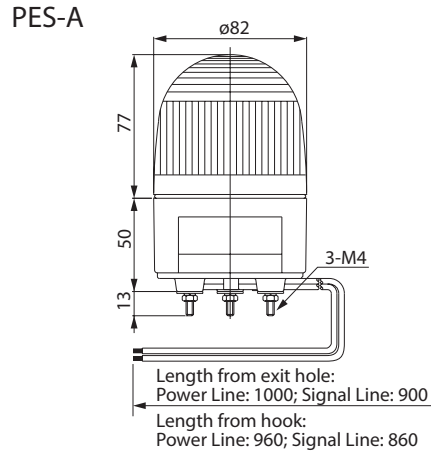
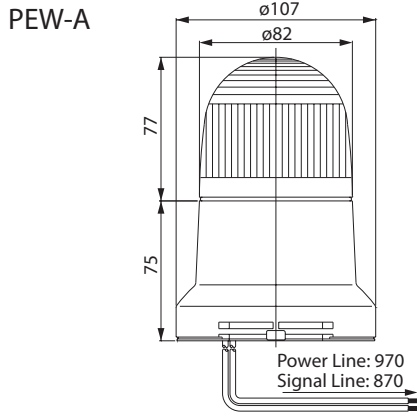
- Body Color: Silver
- IP65: PEW type only



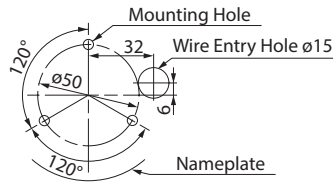
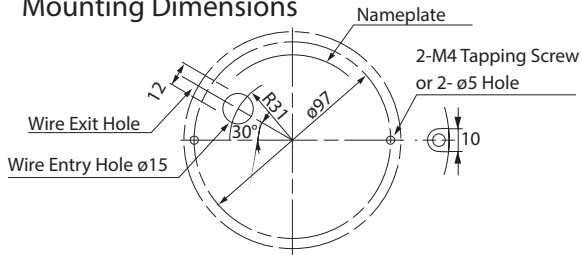
## How to Order



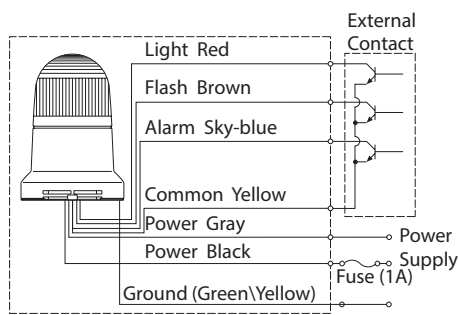
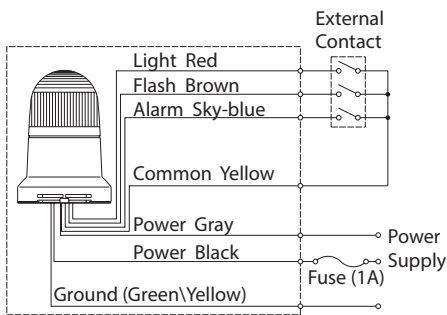
## Dimensions (Unit: mm)



## Mounting Dimensions



## Wiring



- \* All Models have the same wiring
- \* Sky-blue signal wire is for buzzer type only
- \* Ground wire is added for high-voltage types only

## Specifications

| Model     | Color | Rated Voltage | Power Consumption | Inrush Current | Mass |
|-----------|-------|---------------|-------------------|----------------|------|
| PEW-24A   | R/Y   | AC/DC 24V     | 1.2W              | 2.5A           | 320g |
|           | G/B   |               | 1.5W              |                |      |
| PEW-24AB  | R/Y   | AC/DC 24V     | 2.2W              | 2.5A           | 340g |
|           | G/B   |               | 2.5W              |                |      |
| PEW-100A  | R/Y   | AC 100V       | 2.8W              | 1.0A           | 520g |
|           | G/B   |               | 3.3W              |                |      |
| PEW-100AB | R/Y   | AC 100V       | 5.3W              | 1.0A           | 540g |
|           | G/B   |               | 5.8W              |                |      |
| PEW-120A  | R/Y   | AC 120V       | 3.0W              | 1.0A           | 520g |
|           | G/B   |               | 3.5W              |                |      |
| PEW-120AB | R/Y   | AC 120V       | 5.7W              | 1.0A           | 540g |
|           | G/B   |               | 6.2W              |                |      |
| PEW-200A  | R/Y   | AC 200V       | 2.5W              | 0.5A           | 520g |
|           | G/B   |               | 3.2W              |                |      |
| PEW-200AB | R/Y   | AC 200V       | 4.9W              | 0.5A           | 540g |
|           | G/B   |               | 5.6W              |                |      |
| PEW-230A  | R/Y   | AC 230V       | 3.1W              | 0.5A           | 520g |
|           | G/B   |               | 3.8W              |                |      |
| PEW-230AB | R/Y   | AC 230V       | 5.9W              | 0.5A           | 540g |
|           | G/B   |               | 6.4W              |                |      |

| Model    | Color | Rated Voltage | Power Consumption | Inrush Current | Mass |
|----------|-------|---------------|-------------------|----------------|------|
| PES-24A  | R/Y   | AC/DC 24V     | 1.2W              | 2.5A           | 240g |
|          | G/B   |               | 1.5W              |                |      |
| PES-100A | R/Y   | AC 100V       | 4.2W              | 1.0A           | 430g |
|          | G/B   |               | 4.7W              |                |      |
| PES-120A | R/Y   | AC 120V       | 4.4W              | 1.0A           | 430g |
|          | G/B   |               | 4.9W              |                |      |
| PES-200A | R/Y   | AC 200V       | 4.0W              | 0.5A           | 430g |
|          | G/B   |               | 4.7W              |                |      |
| PES-230A | R/Y   | AC 230V       | 4.6W              | 0.5A           | 430g |
|          | G/B   |               | 5.3W              |                |      |