

Midi free-standing Beacons / Permanent Light 895
Permanent Beacon BWM 12-230VAC/DC RD



Part No.: 895.100.00



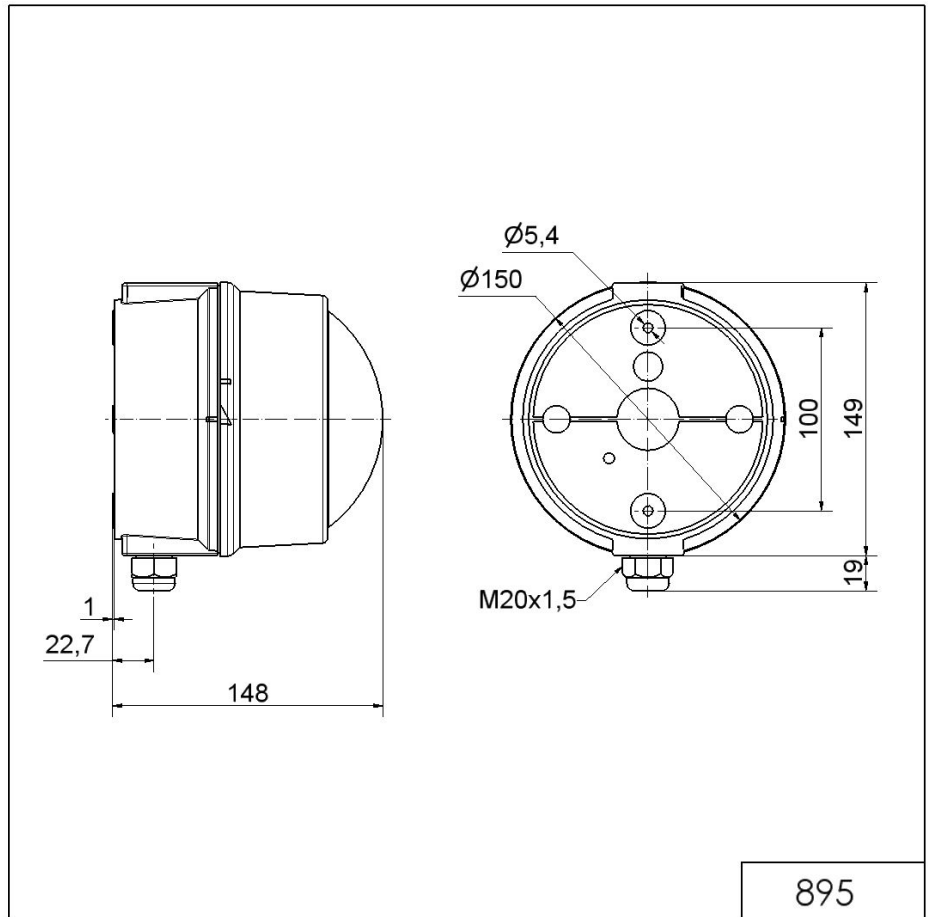
| MECHANICAL DATA | |
|------------------------------|--------------------------------|
| Height | 148 mm |
| Diameter | 149 mm |
| Materials | PC PC/ABS |
| Dome colour | Red |
| Housing colour | Grey |
| Protection category | IP65 |
| Connection | Insulation-displacement contac |
| cross-sectional area maximum | 1,50mm ² / 16AWG |
| Cable entry | Screwed cable gland |
| Cable entry minimum | d = 6 mm |
| Cable entry maximum | d = 12 mm |
| Tension relief | Present (conforms to VDI) |
| Type of fixing | Base mounting Wall mounting |
| Service life optical | depends on bulb |
| Working temperature minimum | -30°C |
| Working temperature maximum | +50°C |
| Weight with packaging | 492 g |
| Product weight | 390 g |
| ELECTRICAL DATA | |
| Operating voltage | 12-230V |
| Operating voltage type | AC/DC |
| Protection class | Protection class 2 |
| Pollution degree | 3 |
| Overvoltage category | II |
| Isolation voltage | Ui = 250V; Uimp = 2.500V |
| OPTICAL DATA | |
| Light colour | Red |

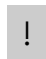
! For additional installation and mounting information, refer to the appropriate user guide at www.werma.com. This printed copy is for information only and is subject to alteration.

Midi free-standing Beacons / Permanent Light 895

Permanent Beacon BWM 12-230VAC/DC RD

DRAWING



 For additional installation and mounting information, refer to the appropriate user guide at www.werma.com. This printed copy is for information only and is subject to alteration.