

Installation combination / LED/Buzzer Combination with acknowledgement function

LED Buzzer EM Contin. tone 24VDC RD



Part No.: 450.100.55



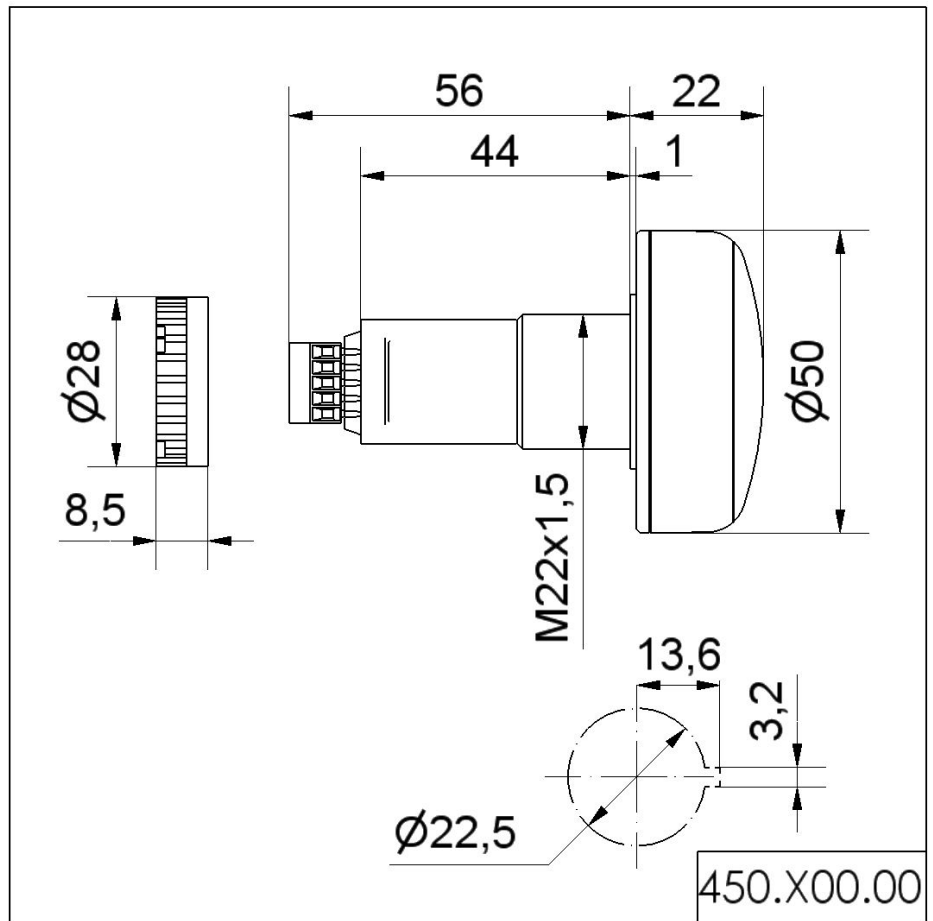
| MECHANICAL DATA | |
|-------------------------------|--------------------------------|
| Height | 78 mm |
| Diameter | 50 mm |
| Materials | PC PC/ABS |
| Dome colour | Red |
| Housing colour | Black |
| Protection category | IP65 |
| Connection | Screw terminals |
| cross-sectional area maximum | 1,50mm ² / 16AWG |
| Type of fixing | Built-in mounting |
| Service life optical | 50,000 h maximum |
| Acoustic service life | 5,000 h minimum |
| Working temperature minimum | -20°C |
| Working temperature maximum | +50°C |
| UL Type Rating | Type 12 |
| Weight with packaging | 48 g |
| Product weight | 35 g |
| ELECTRICAL DATA | |
| Operating voltage | 24V |
| Operating voltage type | DC |
| Operating voltage tolerance | +/- 10% |
| Rated operational voltage | 24 VDC |
| Rated operational current | 80 mA |
| Rated inrush current | 500 mA |
| Protection class | Protection class 2 |
| Pollution degree | 3 In the connection area: 2 |
| OPTICAL DATA | |
| Light source | LED |
| Light colour | Red |
| Optical signal image | Permanent |
| ACUSTICAL DATA | |
| Volume/dB(max) at 1m distance | 80 dB(A) |
| Acoustic signal image | Continuous tone |
| Audio frequency | 2800 Hz |

! For additional installation and mounting information, refer to the appropriate user guide at www.werma.com. This printed copy is for information only and is subject to alteration.

Installation combination / LED/Buzzer Combination with acknowledgement function

LED Buzzer EM Contin. tone 24VDC RD

DRAWING



! For additional installation and mounting information, refer to the appropriate user guide at www.werma.com. This printed copy is for information only and is subject to alteration.