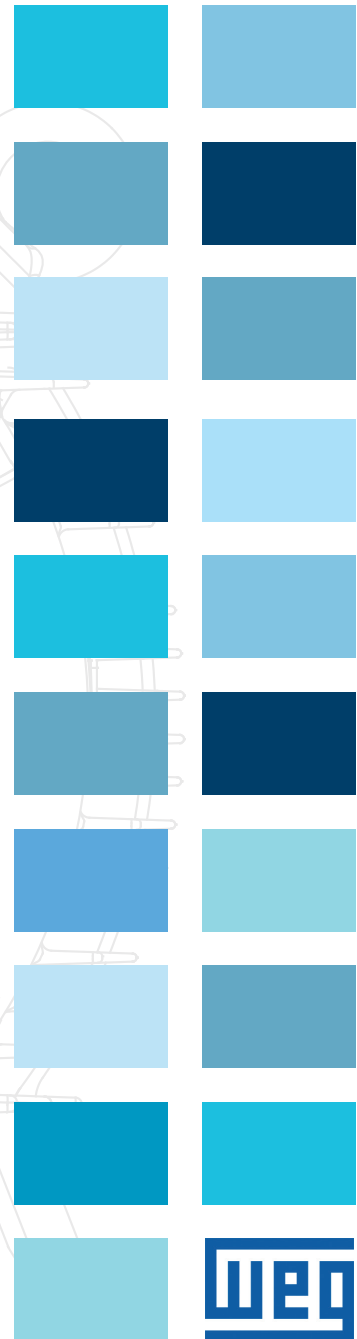


# WEG Standard Product Catalog

Wash Down Duty.....A-133

Fractional Motors.....A-156

Air Handling Motors.....A-177



Register to keep your  
catalog up-to-date



### HYDRODUTY™ - STAINLESS STEEL

TEFC - Three-Phase - C-Face Foot Mount	A-136
TENV - Three-Phase - C-Face Foot Mount	A-136
TEFC – Three-Phase C-Face Footless	A-137
TENV – Three-Phase C-Face Footless	A-137
C-Face Foot Mount Optimal Match CFW08 Washdown Drive	A-138
C-Face Footless Optimal Match CFW08 Washdown Drive	A-139

### PICKERPLUS™ - WHITE EPOXY

TEFC - Three-Phase - C-Face Foot Mount	A-140
TEFC – Three-Phase C-Face Footless	A-140

### SHARK™ - STAINLESS STEEL

TEFC - Three-Phase - C-Face Foot Mount	A-141
TENV - Three-Phase - C-Face Foot Mount	A-141
TEFC – Three-Phase C-Face Footless	A-142
TENV – Three-Phase C-Face Footless	A-142
C-Face Foot Mount Optimal Match CFW08 Washdown Drive	A-143
C-Face Footless Optimal Match CFW08 Washdown Drive	A-144

### HYDROWASH™ - WHITE EPOXY

TEFC - Three-Phase - C-Face Foot Mount	A-146
TENV - Three-Phase - C-Face Foot Mount	A-146
TEFC & TENV – Three-Phase C-Face Footless	A-147
TEFC – Three-Phase C-Face Rigid Base	A-147
C-Face Foot Mount Optimal Match CFW08 Washdown Drive	A-148
C-Face Footless Optimal Match CFW08 Washdown Drive	A-149
C-Face Rigid Base Optimal Match CFW08 Washdown Drive	A-149

### WASHDOWN DUTY VARIABLE FREQUENCY DRIVE

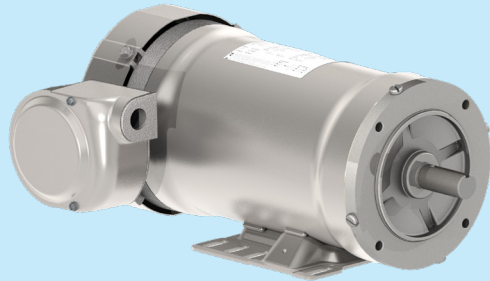
CFW08 Washdown VFD - NEMA 4X Enclosure	A-152
CFW08 Options and Accessories	A-153
Dynamic Braking Resistors for CFW08 Wash	A-154
CFW08 Technical Data	A-155

THREE -PHASE

## Encapsulated Washdown Motors

Encapsulated winding and a patented sealing system to ensure they will “standup” in the most severe applications.

### HydroDuty™



### The Ultimate Washdown Motor

- This is the ultimate stainless steel waterproof motor. It has been proven to provide 75% more cycles than other brands through extreme environment testing.
- Significantly reduces motor replacement and downtime costs
- Meets NEMA MG1 Part 31 for InverterDuty operation; 10:1 CT; 10:1 VT



#### Performance Specifications

- 1/2 to 5 hp, 860, 1140, 1725 or 3450 RPM
- TENV or TEFC enclosures
- NEMA Frames 56C, 143TC, 145TC and 182TC
- Metric Frame 80-B5 and 100L
- Meets IP69K enclosure protection

### PickerPlus™



### Severe Duty Feather Picker Motor

- Withstands frequent sanitizing with high pressure sprays and caustic fluids.
- Designed to withstand extreme side loading requirements

#### Performance Specifications

- 3 hp, 1725 RPM
- TEFC enclosure
- 145TC NEMA or 100L Metric Frames
- Footless or Base Mounted
- C-Face
- Meets IP69K enclosure protection

Wash Down Duty

## General Purpose Washdown Motors

### Shark™



### Stainless Steel Washdown Motor

- For use in food processing, pharmaceutical and other applications requiring extreme cleanliness
- Class F epoxy insulation
- Meets NEMA MG1 Part 31 for Inverter Duty operation; 6:1 CT; 10:1 VT

#### Performance Specifications

- 1-10 hp NEMA Premium
- 1800 and 3600 RPM
- TEFC enclosures
- Frames 143TC to 215TC
- Base Mounted
- Meets IP56 enclosure protection

### HydroWash™



### White Painted Washdown Motor

- Designed for long service life in general purpose washdown applications
- It provides extended service life that can reduce your downtime costs for motor replacement
- Meets NEMA MG1 Part 31 for Inverter Duty operation; 6:1 CT; 10:1 VT

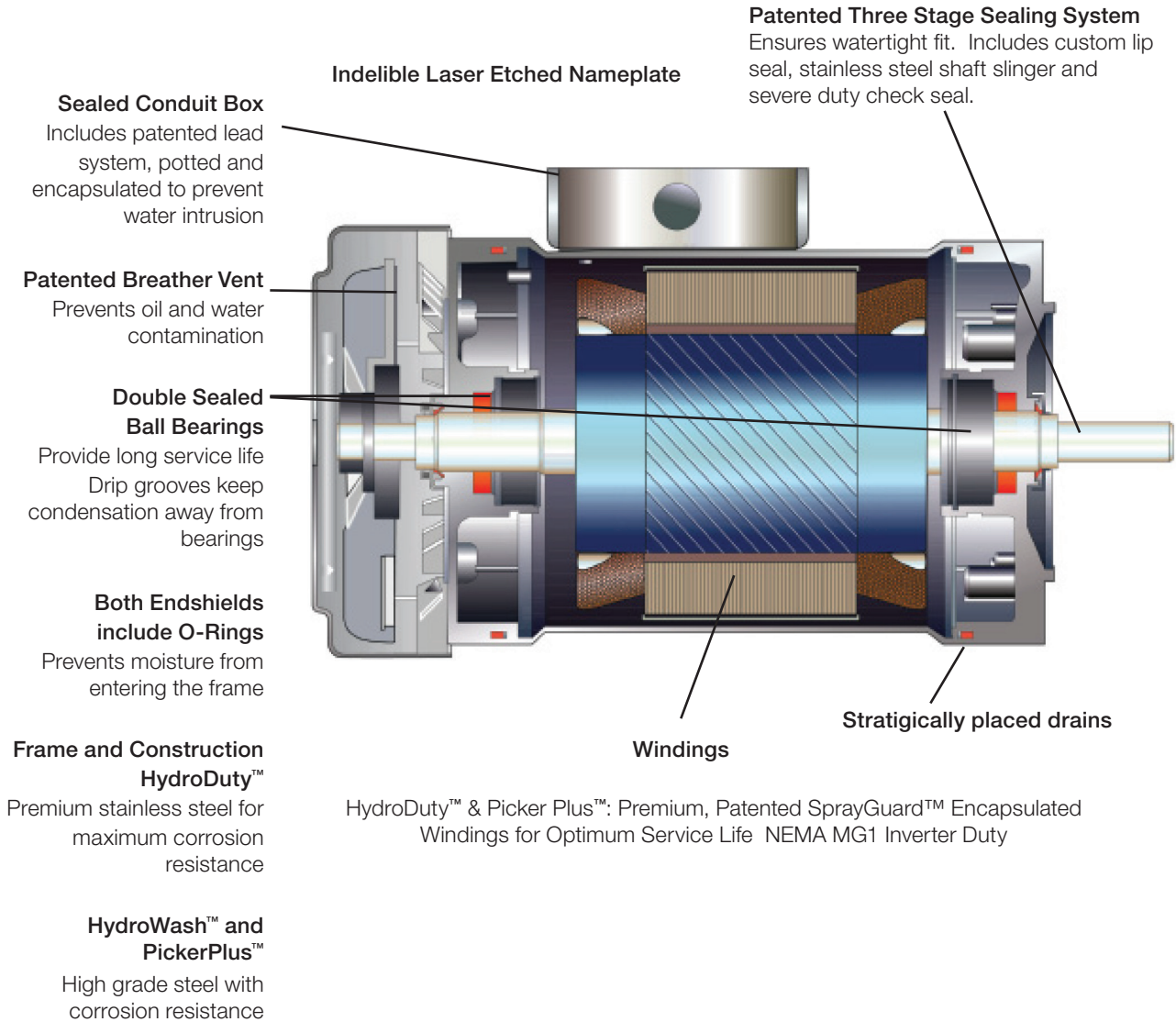
#### Performance Specifications

- 1/2 to 25hp
- TENV or TEFC enclosures
- NEMA Frames 56C - 256TC
- Footless or Base Mounted
- Meets IP56 enclosure protection

Please refer to back cover for description of “NOTES”

For detailed specifications, data sheets, drawings and performance curves visit [http:// www.weg.net](http://www.weg.net)

## Severe Duty Washdown Motors - HydroDuty™ and PickerPlus™



## Trust WEG for the Toughest - Longest Lasting Motors for Washdown Applications

- **Built Durable** Withstands frequent sanitizing with high pressure sprays and extreme side loading requirements Especially designed for severe duty washdown applications.
- **Economical** Long lasting design that outperforms any other motor on the market. Extended service life that can save you thousands of dollars in downtime costs.
- **Exceptional Warranty** We stand by our motors with an exceptional warranty; 12 months from date of the first installation or 24 months from date on motor nameplate.

Please refer to back cover for description of "NOTES"

For detailed specifications, data sheets, drawings and performance curves visit [http:// www.weg.net](http://www.weg.net)

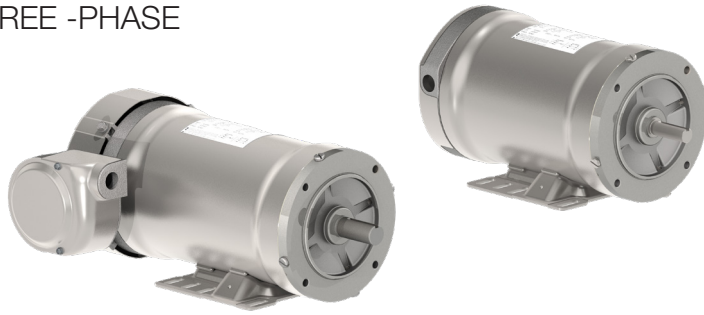
Data subject to change without notice.



# Encapsulated Wash Down Duty



THREE -PHASE



Find the Optimal Match for your HydroDuty™ Motor on page 138



## HydroDuty™ - Stainless Steel - TEFC - C-Face - Foot Mount

Wash Down Duty

HP	kW	RPM	Frame	Standard Catalog Number <sup>1</sup>	EZ Connect Model Number	List Price	Mult. Symbol	Approx. Shipping Weight (lbs)	Service Factor	FL Amps @ High	FL. Eff (%)	"C" Dimension Standard/EZ Model	Voltage (V)	Notes
0.5	0.37	1200	56C	1311017133	1311087133	\$1,694	S3	52	1.15	1.10	75.5	13.99/13.88	230/460	21;41
		1800	56C	1311017121	1311087121	\$1,544	S3	46	1.15	1.30	81.5	13.24/13.88	230/460	21;41
0.75	0.55	900	56C	1311017159	1311087159	\$1,794	S3	61	1.00	2.70	70.0	15.42/15.63	230/460	1;21
		3600	56C	1313017156	1313087156	\$1,601	S3	48	1.15	1.50	77.0	13.24/13.88	460	21;41
1	0.75	1800	56C	1311017115	1311087115	\$1,619	S3	53	1.15	1.60	85.5	14.49/14.63	230/460	21;41
		1800	143TC	1311017124	1311087124	\$1,642	S3	53	1.15	1.60	85.5	14.60/14.69	230/460	21;41
		1200	56C	1311017138	1311087138	\$1,875	S3	62	1.15	1.90	82.5	15.49/15.63	230/460	21;41
		1200	145TC	1311017130	1311087130	\$1,886	S3	62	1.15	1.90	82.5	15.56/15.69	230/460	21;41
		3600	56C	1313017154	1313087154	\$1,658	S3	49	1.15	2.30	84.0	13.24/13.88	230/460	21;41
1.5	1.1	1800	56C	1311017110	1311087110	\$1,683	S3	55	1.15	2.20	84.0	15.49/15.63	230/460	21;41
		1800	145TC	1311017111	1311087111	\$1,706	S3	55	1.15	2.20	84.0	15.56/15.69	230/460	21;41
		3600	56C	1313017152	1313087152	\$1,958	S3	54	1.15	2.90	85.5	13.99/14.63	230/460	21;41
2	1.5	3600	145TC	1313017153	1313087153	\$1,976	S3	54	1.15	2.90	85.5	14.06/14.69	230/460	21;41
		1800	56C	1311017114	1311087114	\$1,981	S3	62	1.15	2.80	86.5	15.49/15.63	230/460	21;41
		1800	145TC	1311017113	1311087113	\$2,005	S3	62	1.15	2.80	86.5	15.56/15.69	230/460	21;41
		3	2.2	1800	184TC	H311007111		\$4,210	S3	113	1.15	4.30	89.5	19.09
5	3.7	1800	184TC	H311007110		\$4,953	S3	121	1.00	6.70	89.5	19.09	230/460	1;21

## HydroDuty™ - Stainless Steel - TENV - C-Face - Foot Mount

HP	kW	RPM	Frame	Standard Catalog Number <sup>1</sup>	EZ Connect Model Number	List Price	Mult. Symbol	Approx. Shipping Weight (lbs)	Service Factor	FL Amps @ High	FL. Eff (%)	"C" Dimension Standard/EZ Model	Voltage (V)	Notes
0.5	0.37	3600	56C	1323007112		\$1,416	S3	46	1.15	0.80	74.0	11.4	230/460	21;41
		1800	56C	1321007115	1321087115	\$1,439	S3	45	1.00	0.90	78.5	11.40/12.87	230/460	1;21;41
0.75	0.55	3600	56C	1323007110	1323087110	\$1,460	S3	52	1.15	1.10	77.0	12.15/12.87	230/460	21;41
		1800	56C	1321007113	1321087113	\$1,483	S3	50	1.00	1.20	81.5	12.15/12.87	230/460	1;21;41
1	1.75	1800	56C	1321007112	1321087112	\$1,591	S3	58	1.00	1.60	85.5	13.15/13.62	230/460	1;21;41
		1800	56C	1321007139**	1321087139**	\$1,696	S3	58	1.00	1.60	85.5	13.15/13.62	230/460	21;41
		1800	143TC/56C <sup>2</sup>	1321007119	1321087119	\$1,615	S3	58	1.00	1.60	85.5	13.22/13.68	230/460	1;21;41

\*\*Low temperature ratings

All ratings are 208-230/460; 40° C ambient; Class F insulation

56 and 145 Frame models also rated 230/460, 50HZ, 1.0SF

<sup>1</sup> Standard model available until inventory is depleted.

<sup>2</sup> EZ-Connect model is 56C frame.

Please refer to back cover for description of "NOTES"

For detailed specifications, data sheets, drawings and performance curves visit <http://www.weg.net>

Find the Optimal Match for your HydroDuty™ Motor on page 139



### HydroDuty™ - Stainless Steel - TEFC - C-Face - Footless

HP	kW	RPM	Frame	Standard Catalog Number <sup>1</sup>	EZ Connect Model Number	List Price	Mult. Symbol	Approx. Shipping Weight (lbs)	Service Factor	FL Amps @ High	FL. Eff (%)	"C" Dimension Standard/EZ Model	Voltage (V)	Notes
0.75	0.55	1725	56C	1311017122	1311087122	\$1,526	S3	45	1.15	1.30	81.5	13.24/13.88	230/460	1;20;21
1	0.75	3450	56C	1313017161	1313087161	\$1,581	S3	47	1.15	1.50	77.0	13.24/13.88	230/460	20;21;41
		1725	56C	1311017123	1311087123	\$1,601	S3	52	1.15	1.60	85.5	14.49/14.63	230/460	1;20;21
		1725	143TC	1311017125	1311087125	\$1,626	S3	52	1.15	1.60	85.5	14.56/14.69	230/460	1;20;21
		1725	80-B5	1311017152	1311087152	\$1,879	S3	58	1.15	1.60	85.5	15.34/15.47	230/460	20;21;41
1.5	1.1	1725	56C	1311017117	1311087117	\$1,663	S3	54	1.15	2.20	86.5	15.49/15.63	230/460	1;20;21
		1725	145TC	1311017118	1311087118	\$1,688	S3	54	1.15	2.20	86.5	15.56/15.69	230/460	1;20;21
2	1.5	1725	56C	1311017119	1311087119	\$1,962	S3	61	1.15	2.80	86.5	15.49/15.63	230/460	1;20;21
		1725	145TC	1311017120	1311087120	\$1,985	S3	61	1.15	2.80	86.5	15.56	230/460	1;20;21
3	2.2	1725	184TC	H311007113		\$4,155	S3	112	1.15	4.30	89.5	19.09	230/460	1;20;21
5	3.7	1725	184TC	H311007112		\$4,924	S3	120	1.00	6.70	89.5	19.09	230/460	1;20;21

Wash Down Duty

### HydroDuty™ - Stainless Steel - TENV - C-Face - Footless

HP	kW	RPM	Frame	Standard Catalog Number <sup>1</sup>	EZ Connect Model Number	List Price	Mult. Symbol	Approx. Shipping Weight (lbs)	Service Factor	FL Amps @ High	FL. Eff (%)	"C" Dimension Standard/EZ Model	Voltage (V)	Notes
0.5	0.37	1725	56C	1321007121	1321087121	\$1,421	S3	44	1.00	0.85	81.5	11.40/12.8	230/460	1;20;21;41
0.75	0.55	3450	56C	1323007114	1323087114	\$1,443	S3	51	1.15	1.10	77.0	12.15/12.8	230/460	1;20;21
		1725	56C	1321007117	1321087117	\$1,465	S3	49	1.00	1.20	81.5	12.15/12.8	230/460	1;20;21;41
1	0.75	1725	56C	1321007125	1321087125	\$1,572	S3	57	1.00	1.60	85.5	13.15/13.62	230/460	1;20;21;41
		1725	56C	1321007140**	1321087140**	\$1,676	S3	58	1.00	1.60	85.5	13.15/13.62	230/460	1;20;21;41
		1725	143TC	1321007124	1321087124	\$1,595	S3	57	1.00	1.60	85.5	13.22/13.68	230/460	1;20;21;41
		1725	100L	1321007158	1321087158	\$1,891	S3	52	1.00	1.60	85.5	13.44/13.91	230/460	1;20;21

\*\*Low temperature ratings

All ratings are 208-230/460; 40° C ambient; Class F insulation

56 and 145 Frame models also rated 230/460, 50HZ, 1.0SF

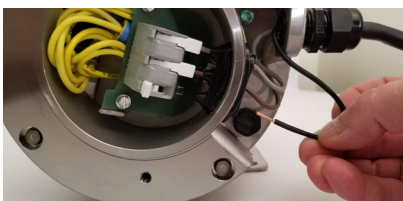
<sup>1</sup> Standard model available until inventory is depleted.



1. Insert the incoming power leads thru the waterproof Seal.

2. Grommets automatically align the leads to the correct slot.

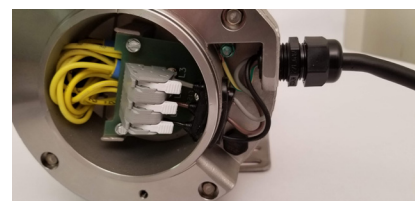
3. Push the levers closed.



1



2



3

Please refer to back cover for description of "NOTES"

For detailed specifications, data sheets, drawings and performance curves visit [http:// www.weg.net](http://www.weg.net)

Data subject to change without notice.

THREE -PHASE



## HydroDuty™ Motor and CFW500 Washdown Drive Quick Selection Guide

### C-Face Foot Mount

Wash Down Duty

HP	RPM	Volts	Standard Model	EZ Connect Model	Motor List Price	FL Amps @ high	230V Drive	Drive List Price	460V Drive	Drive List Price
0.5	3600	230/460	1323007112		\$1,416	0.80	CFW500A02P6B2DB66G2	\$800	CFW500A01P0T4DB66G2	\$950
	1800	230/460	1321007115	1321087115	\$1,439	0.90	CFW500A02P6B2DB66G2	\$800	CFW500A01P0T4DB66G2	\$950
	1200	230/460	1311017133	1311087133	\$1,694	1.10	CFW500A02P6B2DB66G2	\$800	CFW500A01P6T4DB66G2	\$975
0.75	3600	230/460	1323007110	1323087110	\$1,460	1.10	CFW500A02P6B2DB66G2	\$800	CFW500A01P6T4DB66G2	\$975
	1800	230/460	1321007113	1321087113	\$1,483	1.20	CFW500A02P6B2DB66G2	\$800	CFW500A01P6T4DB66G2	\$975
	1800	230/460	1311017121	1311087121	\$1,544	1.30	CFW500A02P6B2DB66G2	\$800	CFW500A01P6T4DB66G2	\$975
	900	460	1311017159	1311087159	\$1,794	2.70			CFW500A04P3T4DB66G2	\$1,175
1	3600	230/460	1313017156	1313087156	\$1,601	1.50	CFW500A04P3B2DB66G2	\$850	CFW500A01P6T4DB66G2	\$975
	1800	230/460	1321007112	1321087112	\$1,591	1.60	CFW500A04P3B2DB66G2	\$850	CFW500A01P6T4DB66G2	\$975
	1800	230/460	1311017115	1311087115	\$1,619	1.60	CFW500A04P3B2DB66G2	\$850	CFW500A01P6T4DB66G2	\$975
	1800	230/460	1321007139	1321087139	\$1,696	1.60	CFW500A04P3B2DB66G2	\$850	CFW500A01P6T4DB66G2	\$975
	1800	230/460	1321007119	1321087119	\$1,615	1.60	CFW500A04P3B2DB66G2	\$850	CFW500A01P6T4DB66G2	\$975
	1800	230/460	1311017124	1311087124	\$1,642	1.60	CFW500A04P3B2DB66G2	\$850	CFW500A01P6T4DB66G2	\$975
	1200	230/460	1311017138	1311087138	\$1,875	1.90	CFW500A04P3B2DB66G2	\$850	CFW500A02P6T4DB66G2	\$990
	1200	230/460	1311017130	1311087130	\$1,886	1.90	CFW500A04P3B2DB66G2	\$850	CFW500A02P6T4DB66G2	\$990
	1800	230/460	1313017154	1313087154	\$1,658	2.30	CFW500A07P3B2DB66G2	\$1,015	CFW500A02P6T4DB66G2	\$990
1.5	1800	230/460	1311017110	1311087110	\$1,683	2.20	CFW500A07P3B2DB66G2	\$1,015	CFW500A02P6T4DB66G2	\$990
	1800	230/460	1311017111	1311087111	\$1,706	2.20	CFW500A07P3B2DB66G2	\$1,015	CFW500A02P6T4DB66G2	\$990
	3600	230/460	1313017152	1313087152	\$1,958	2.90	CFW500A07P3B2DB66G2	\$1,015	CFW500A04P3T4DB66G2	\$1,175
2	3600	230/460	1313017153	1313087153	\$1,976	2.90	CFW500A07P3B2DB66G2	\$1,015	CFW500A04P3T4DB66G2	\$1,175
	1800	230/460	1311017114	1311087114	\$1,981	2.80	CFW500A07P3B2DB66G2	\$1,015	CFW500A04P3T4DB66G2	\$1,175
	1800	230/460	1311017113	1311087113	\$2,005	2.80	CFW500A07P3B2DB66G2	\$1,015	CFW500A04P3T4DB66G2	\$1,175
	1800	230/460	H311007111		\$4,210	4.30	CFW500A10P0B2DB66G2	\$1,095	CFW500A04P3T4DB66G2	\$1,175
5	1800	230/460	H311007110		\$4,953	6.70	CFW500A16P0T2DB66G2	\$1,350	CFW500A10P0T4DB66G2	\$1,650

Please refer to back cover for description of "NOTES"

For detailed specifications, data sheets, drawings and performance curves visit <http://www.weg.net>



## HydroDuty™ Motor and CFW500 Washdown Drive Quick Selection Guide

### C-Face Footless

HP	RPM	Volts	Standard Model	EZ Connect Model	Motor List Price	460V Amps	230V Drive	Drive List Price	460V Drive	Drive List Price
0.50	1800	230/460	1321007121	1321087121	\$1,421	0.85	CFW500A02P6B2DB66G2	\$800	CFW500A01P0T4DB66G2	\$950
0.75	3600	230/460	1323007114	1323087114	\$1,443	1.10	CFW500A02P6B2DB66G2	\$800	CFW500A01P6T4DB66G2	\$975
	1800	230/460	1321007117	1321087117	\$1,465	1.20	CFW500A02P6B2DB66G2	\$800	CFW500A01P6T4DB66G2	\$975
		230/460	1311017122	1311087122	\$1,526	1.30	CFW500A02P6B2DB66G2	\$800	CFW500A01P6T4DB66G2	\$975
1	3600	230/460	1313017161	1313087161	\$1,581	1.50	CFW500A04P3B2DB66G2	\$850	CFW500A01P6T4DB66G2	\$975
		230/460	1321007125	1321087125	\$1,572	1.60	CFW500A04P3B2DB66G2	\$850	CFW500A01P6T4DB66G2	\$975
	1800	230/460	1321007140	1321087140	\$1,676	1.60	CFW500A04P3B2DB66G2	\$850	CFW500A01P6T4DB66G2	\$975
		230/460	1311017123	1311087123	\$1,601	1.60	CFW500A04P3B2DB66G2	\$850	CFW500A01P6T4DB66G2	\$975
		230/460	1321007124	1321087124	\$1,595	1.60	CFW500A04P3B2DB66G2	\$850	CFW500A01P6T4DB66G2	\$975
		230/460	1311017125	1311087125	\$1,626	1.60	CFW500A04P3B2DB66G2	\$850	CFW500A01P6T4DB66G2	\$975
		230/460	1321007158	1321087158	\$1,891	1.60	CFW500A04P3B2DB66G2	\$850	CFW500A01P6T4DB66G2	\$975
		230/460	1311017152	1311087152	\$1,879	1.60	CFW500A04P3B2DB66G2	\$850	CFW500A01P6T4DB66G2	\$975
1.5	1800	230/460	1311017117	1311087117	\$1,663	2.20	CFW500A07P3B2DB66G2	\$1,015	CFW500A02P6T4DB66G2	\$990
		230/460	1311017118	1311087118	\$1,688	2.20	CFW500A07P3B2DB66G2	\$1,015	CFW500A02P6T4DB66G2	\$990
2	1800	230/460	1311017119	1311087119	\$1,962	2.80	CFW500A07P3B2DB66G2	\$1,015	CFW500A04P3T4DB66G2	\$1,175
		230/460	1311017120	1311087120	\$1,985	2.80	CFW500A07P3B2DB66G2	\$1,015	CFW500A04P3T4DB66G2	\$1,175
3	1800	230/460	H311007113		\$4155	4.30	CFW500A10P0B2DB66G2	\$1,095	CFW500A04P3T4DB66G2	\$1,175
5	1800	230/460	H311007112		\$4294	6.70	CFW500A16P0T2DB66G2	\$1,350	CFW500A10P0T4DB66G2	\$1,650

Wash Down Duty

Please refer to back cover for description of "NOTES"

For detailed specifications, data sheets, drawings and performance curves visit [http:// www.weg.net](http://www.weg.net)

Data subject to change without notice.

# Encapsulated Wash Down Duty



THREE -PHASE

## PickerPlus™ - White Epoxy - TEFC - C-Face - Foot Mount

HP	kW	RPM	Frame	Catalog Number	List Price	Mult. Symbol	Approx. Shipping Weight (lbs)	Service Factor	FL Amps @ High	FL Eff (%)	"C" Dimension (in)	Voltage (V)	Notes
3	2.2	1800	145TC	<a href="#">1311017192</a>	<b>\$1,736</b>	S3	68	1.00	4.40	81.5	15.560	230/460	1;9
3	2.2	1800	100L	<a href="#">1311017196</a>	<b>\$1,852</b>	S3	68	1.00	4.40	81.5	15.780	230/460	1;9



## PickerPlus™ - White Epoxy - TEFC - C-Face - Footless

HP	kW	RPM	Frame	Catalog Number	List Price	Mult. Symbol	Approx. Shipping Weight (lbs)	Service Factor	FL Amps @ High	FL Eff (%)	"C" Dimension (in)	Voltage (V)	Notes
3	2.2	1800	100L-B14	<a href="#">1311017195</a>	<b>\$1,803</b>	S3	66	1.00	4.40	81.5	15.780	230/460	1;9;20
3	2.2	1800	100L-B5	<a href="#">1311017191</a>	<b>\$1,820</b>	S3	71	1.00	4.40	81.5	16.180	230/460	1;9;20

Wash Down Duty

Please refer to back cover for description of "NOTES"

For detailed specifications, data sheets, drawings and performance curves visit [http:// www.weg.net](http://www.weg.net)





Find the Optimal Match for your Shark™ Motor on page 143



Shark™ - Stainless Steel - TEFC & TENV - C-Face - Foot Mount

HP	kW	RPM	Frame	Catalog Number	List Price	Mult. Symbol	Approx. Shipping Weight (lbs)	Enclosure	Service Factor	FL Amps @ High	FL Eff (%)	"C" Dimension (in)	Voltage (V)	Notes
0.33	0.25	1800	56C	<a href="#">.3318EP3ESS56C</a>	\$675	S1	29	TENV	1.15	0.53	79.8	11.250	230/460	17;21
0.50	0.37	3600	56C	<a href="#">.5036EP3ESS56C</a>	\$618	S1	30	TENV	1.15	0.65	78.3	11.250	230/460	17;21
		1800	56C	<a href="#">.5018EP3ESS56C</a>	\$696	S1	33	TENV	1.15	0.73	81.2	11.250	230/460	17;21
		1200	56C	<a href="#">.5012EP3ESS56C</a>	\$760	S1	34	TENV	1.15	0.86	79.1	11.670	230/460	17;21
		3600	56C	<a href="#">.7536EP3ESS56C</a>	\$681	S1	30	TENV	1.15	1.02	81.9	11.250	230/460	17;21
0.75	0.55	1800	56C	<a href="#">.7518EP3ESS56C</a>	\$798	S1	34	TENV	1.15	1.06	81.3	11.250	230/460	17;21
		1200	56HC	<a href="#">.7512EP3ESS56C</a>	\$868	S1	41	TENV	1.15	1.22	82.9	11.670	230/460	17;21
		3600	56HC	<a href="#">00136ET3ESS56C</a>	\$836	S1	38	TEFC	1.15	1.45	77.0	14.000	230/460	21
1	0.75	3600	56HC	<a href="#">00136NT3ESS56C</a>	\$912	S1	39	TENV	1.15	1.45	77.0	11.940	230/460	17;21
		1800	56HC	<a href="#">00118ET3ESS56C</a>	\$994	S1	38	TEFC	1.15	1.46	85.5	14.000	230/460	21
		1800	56HC	<a href="#">00118NT3ESS56C</a>	\$834	S1	38	TENV	1.15	1.46	85.5	11.940	230/460	17;21
		1800	143TC	<a href="#">00118ET3ESS143TC</a>	\$1,042	S1	38	TEFC	1.15	1.46	85.5	13.400	230/460	21
		1800	143TC	<a href="#">00118NT3ESS143TC</a>	\$1,026	S1	38	TENV	1.15	1.46	85.5	11.210	230/460	17;21
		3600	56HC	<a href="#">00156ET3ESS56C</a>	\$1,023	S1	41	TEFC	1.15	1.99	84.0	14.000	230/460	21
1.5	1.1	1800	56HC	<a href="#">00158ET3ESS56C</a>	\$1,041	S1	44	TEFC	1.15	2.06	86.5	14.000	230/460	21
		1800	145TC	<a href="#">00158ET3ESS145TC</a>	\$1,082	S1	43	TEFC	1.15	2.06	86.5	14.200	230/460	21
		3600	56HC	<a href="#">00236ET3ESS56C</a>	\$1,146	S1	47	TEFC	1.15	2.55	85.5	14.000	230/460	21
2	1.5	3600	145TC	<a href="#">00236ET3ESS145TC</a>	\$1,290	S1	45	TEFC	1.15	2.55	85.5	14.200	230/460	21
		1800	56HC	<a href="#">00218ET3ESS56C</a>	\$1,164	S1	51	TEFC	1.15	2.71	86.5	14.000	230/460	21
		1800	145TC	<a href="#">00218ET3ESS145TC</a>	\$1,257	S1	52	TEFC	1.15	2.78	86.5	13.600	230/460	21
		3600	182TC	<a href="#">00336ET3ESS182TC</a>	\$1,989	S1	100	TEFC	1.15	3.73	86.5	17.300	230/460	21
3	2.2	1800	182TC	<a href="#">00318ET3ESS182TC</a>	\$1,908	S1	113	TEFC	1.15	3.92	89.5	17.100	230/460	21
		3600	184TC	<a href="#">00536ET3ESS184TC</a>	\$2,298	S1	111	TEFC	1.15	6.01	88.5	17.900	230/460	21
5	3.7	1800	184TC	<a href="#">00518ET3ESS184TC</a>	\$2,230	S1	120	TEFC	1.15	6.54	89.5	17.900	230/460	21
		3600	213TC	<a href="#">00736ET3ESS213TC</a>	\$3,377	S1	158	TEFC	1.15	8.82	89.5	20.500	230/460	21
7.5	5.5	1800	213TC	<a href="#">00718ET3ESS213TC</a>	\$3,228	S1	173	TEFC	1.15	9.12	91.7	20.500	230/460	21
		3600	215TC	<a href="#">01036ET3ESS215TC</a>	\$3,625	S1	177	TEFC	1.15	11.5	90.2	22.000	230/460	21
10	7.5	1800	215TC	<a href="#">01018ET3ESS215TC</a>	\$3,499	S1	208	TEFC	1.15	12.2	91.7	22.000	230/460	21

Wash Down Duty

Please refer to back cover for description of "NOTES"

For detailed specifications, data sheets, drawings and performance curves visit <http://www.weg.net>

Data subject to change without notice.

# General Purpose Wash Down Duty



THREE -PHASE



Find the Optimal Match for your Shark™ Motor on page 144



## Shark™ - Stainless Steel - TEFC & TENV - C-Face - Footless

Wash Down Duty

HP	KW	RPM	Frame	Catalog Number	List Price	Mult. Symbol	Enclosure	Approx. Shipping Weight (lbs)	Service Factor	FL Amps @ High	FL. Eff (%)	"C" Dimension (in)	Voltage (V)	Notes
0.33	0.25	1800	56C	.3318EP3ESS56CFL	\$667	S1	TENV	28	1.15	0.53	79.8	11.250	230/460	17;20;21
0.50	0.37	3600	56C	.5036EP3ESS56CFL	\$611	S1	TENV	29	1.15	0.65	78.3	11.250	230/460	17;20;21
		1800	56C	.5018EP3ESS56CFL	\$689	S1	TENV	32	1.15	0.73	81.2	11.250	230/460	17;20;21
		1200	56C	.5012EP3ESS56CFL	\$752	S1	TENV	33	1.15	0.86	79.1	11.670	230/460	17;20;21
0.75	0.55	3600	56C	.7536EP3ESS56CFL	\$674	S1	TENV	29	1.15	1.02	81.9	11.250	230/460	17;20;21
		1800	56C	.7518EP3ESS56CFL	\$787	S1	TENV	33	1.15	1.06	81.3	11.250	230/460	17;20;21
		1200	56C	.7512EP3ESS56CFL	\$862	S1	TENV	40	1.15	1.22	82.9	11.670	230/460	17;20;21
1	0.75	3600	56HC	00136ET3ESS56CFL	\$827	S1	TEFC	37	1.15	1.45	77.0	14.000	230/460	20;21
		3600	56HC	00136NT3ESS56CFL	\$898	S1	TENV	38	1.15	1.45	77.0	11.940	230/460	17;20;21
		1800	56HC	00118ET3ESS56CFL	\$981	S1	TEFC	37	1.15	1.46	85.5	14.000	230/460	20;21
		1800	56HC	00118NT3ESS56CFL	\$824	S1	TENV	38	1.15	1.46	85.5	11.940	230/460	17;20;21
		1800	143TC	00118ET3ESS143TCFL	\$1,028	S1	TEFC	38	1.15	1.46	85.5	13.400	230/460	20;21
		1800	143TC	00118NT3ESS143TCFL	\$1,014	S1	TENV	38	1.15	1.46	85.5	11.210	230/460	17;20;21
1.5	1.1	3600	56HC	00156ET3ESS56CFL	\$1,017	S1	TEFC	40	1.15	1.99	84.0	14.000	230/460	20;21
		3600	143TC	00156ET3ESS143TCFL	\$1,117	S1	TEFC	41	1.15	1.99	84.0	13.400	230/460	20;21
		1800	56HC	00158ET3ESS56CFL	\$1,034	S1	TEFC	43	1.15	2.06	86.5	14.000	230/460	20;21
		1800	145TC	00158ET3ESS145TCFL	\$1,066	S1	TEFC	43	1.15	2.06	86.5	14.200	230/460	20;21
2	1.5	3600	56HC	00236ET3ESS56CFL	\$1,139	S1	TEFC	45	1.15	2.55	85.5	14.000	230/460	20;21
		3600	145TC	00236ET3ESS145TCFL	\$1,275	S1	TEFC	45	1.15	2.55	85.5	14.200	230/460	20;21
		1800	56HC	00218ET3ESS56CFL	\$1,154	S1	TEFC	49	1.15	2.71	86.5	14.000	230/460	20;21
		1800	145TC	00218ET3ESS145TCFL	\$1,198	S1	TEFC	52	1.15	2.78	86.5	13.600	230/460	20;21
3	2.2	3600	145TC	00336ET3ESS145TCFL	\$1,858	S1	TEFC	59	1.15	3.78	86.5	16.200	230/460	20;21
		3600	182TC	00336ET3ESS182TCFL	\$1,974	S1	TEFC	98	1.15	3.73	86.5	17.300	230/460	20;21
		1800	182TC	00318ET3ESS182TCFL	\$1,892	S1	TEFC	111	1.15	3.92	89.5	17.100	230/460	20;21
5	3.7	3600	184TC	00536ET3ESS184TCFL	\$2,282	S1	TEFC	109	1.15	6.01	88.5	17.900	230/460	20;21
		1800	184TC	00518ET3ESS184TCFL	\$2,215	S1	TEFC	118	1.15	6.54	89.5	17.900	230/460	20;21
7.5	5.5	3600	213TC	00736ET3ESS213TCFL	\$3,356	S1	TEFC	155	1.15	8.82	89.5	20.500	230/460	20;21
		1800	213TC	00718ET3ESS213TCFL	\$3,207	S1	TEFC	170	1.15	9.12	91.7	20.500	230/460	20;21
10	7.5	3600	215TC	01036ET3ESS215TCFL	\$3,604	S1	TEFC	174	1.15	11.5	90.2	22.000	230/460	20;21
		1800	215TC	01018ET3ESS215TCFL	\$3,477	S1	TEFC	205	1.15	12.2	91.7	22.000	230/460	20;21

Please refer to back cover for description of "NOTES"

For detailed specifications, data sheets, drawings and performance curves visit <http://www.weg.net>

## Shark™ Motor and CFW500 Washdown Drive Quick Selection Guide

**Optimal Match**



### Shark™ - Stainless Steel - TEFC & TENV - C-Face - Foot Mount

HP	RPM	Volts	Model	Motor List Price	Enclosure	460V Amps	SF Amps @230V	230V Drive	Drive List Price	SF Amps @460V	460V Drive	Drive List Price
0.33	1800	230/460	.3318EP3ESS56C	\$675	TENV	0.53	1.22	CFW500A01P6B2DB66G2	\$775	0.61	CFW500A01P0T4DB66G2	\$950
0.5	3600	230/460	.5036EP3ESS56C	\$618	TENV	0.65	1.50	CFW500A01P6B2DB66G2	\$775	0.75	CFW500A01P0T4DB66G2	\$950
		230/460	.5018EP3ESS56C	\$696	TENV	0.73	1.68	CFW500A02P6B2DB66G2	\$800	0.84	CFW500A01P6T4DB66G2	\$975
		230/460	.5012EP3ESS56C	\$760	TENV	0.86	1.98	CFW500A02P6B2DB66G2	\$800	0.99	CFW500A01P6T4DB66G2	\$975
		230/460	.7536EP3ESS56C	\$681	TENV	1.02	2.35	CFW500A02P6B2DB66G2	\$800	1.17	CFW500A01P6T4DB66G2	\$975
0.75	3600	230/460	.7518EP3ESS56C	\$798	TENV	1.06	2.44	CFW500A02P6B2DB66G2	\$800	1.22	CFW500A01P6T4DB66G2	\$975
		230/460	.7512EP3ESS56C	\$868	TENV	1.22	2.80	CFW500A04P3B2DB66G2	\$850	1.4	CFW500A01P6T4DB66G2	\$975
		230/460	00136ET3ESS56C	\$836	TEFC	1.45	3.34	CFW500A04P3B2DB66G2	\$850	1.67	CFW500A02P6T4DB66G2	\$990
1	3600	230/460	00136NT3ESS56C	\$912	TENV	1.45	3.34	CFW500A04P3B2DB66G2	\$850	1.67	CFW500A02P6T4DB66G2	\$990
		230/460	00118ET3ESS56C	\$994	TEFC	1.46	3.36	CFW500A04P3B2DB66G2	\$850	1.68	CFW500A02P6T4DB66G2	\$990
		230/460	00118NT3ESS56C	\$834	TENV	1.46	3.36	CFW500A04P3B2DB66G2	\$850	1.68	CFW500A02P6T4DB66G2	\$990
		230/460	00118ET3ESS143TC	\$1,042	TEFC	1.46	3.36	CFW500A04P3B2DB66G2	\$850	1.68	CFW500A02P6T4DB66G2	\$990
		230/460	00118NT3ESS143TC	\$1,026	TENV	1.46	3.36	CFW500A04P3B2DB66G2	\$850	1.68	CFW500A02P6T4DB66G2	\$990
1.5	3600	230/460	00156ET3ESS56C	\$1,023	TEFC	1.99	4.58	CFW500A07P3B2DB66G2	\$1,015	2.29	CFW500A02P6T4DB66G2	\$990
		230/460	00158ET3ESS56C	\$1,041	TEFC	2.06	4.74	CFW500A07P3B2DB66G2	\$1,015	2.37	CFW500A02P6T4DB66G2	\$990
		230/460	00158ET3ESS145TC	\$1,082	TEFC	2.06	4.74	CFW500A07P3B2DB66G2	\$1,015	2.37	CFW500A02P6T4DB66G2	\$990
2	3600	230/460	00236ET3ESS56C	\$1,146	TEFC	2.55	5.87	CFW500A07P3B2DB66G2	\$1,015	2.93	CFW500A04P3T4DB66G2	\$1,175
		230/460	00236ET3ESS145TC	\$1,290	TEFC	2.55	5.87	CFW500A07P3B2DB66G2	\$1,015	2.93	CFW500A04P3T4DB66G2	\$1,175
		230/460	00218ET3ESS56C	\$1,164	TEFC	2.71	6.23	CFW500A07P3B2DB66G2	\$1,015	3.12	CFW500A04P3T4DB66G2	\$1,175
		230/460	00218ET3ESS145TC	\$1,257	TEFC	2.78	6.39	CFW500A07P3B2DB66G2	\$1,015	3.2	CFW500A04P3T4DB66G2	\$1,175
3	3600	230/460	00336ET3ESS182TC	\$1,989	TEFC	3.73	8.58	CFW500A10P0B2DB66G2	\$1,095	4.29	CFW500A04P3T4DB66G2	\$1,175
		230/460	00318ET3ESS182TC	\$1,908	TEFC	3.92	9.02	CFW500A10P0B2DB66G2	\$1,095	4.51	CFW500A06P5T4DB66G2	\$1,400
5	3600	230/460	00536ET3ESS184TC	\$2,298	TEFC	6.01	13.82	CFW500A16P0T2DB66G2	\$1,350	6.91	CFW500A10P0T4DB66G2	\$1,650
		230/460	00518ET3ESS184TC	\$2,230	TEFC	6.54	15.04	CFW500A16P0T2DB66G2	\$1,350	7.52	CFW500A10P0T4DB66G2	\$1,650
7.5	3600	230/460	00736ET3ESS213TC	\$3,377	TEFC	8.82	20.29	CFW500B24P0T2DB66G2	\$1,950	10.14	CFW500B14P0T4DB66G2	\$2,050
		230/460	00718ET3ESS213TC	\$3,228	TEFC	9.12	20.98	CFW500B24P0T2DB66G2	\$1,950	10.49	CFW500B14P0T4DB66G2	\$2,050
10	3600	230/460	01036ET3ESS215TC	\$3,625	TEFC	11.50	26.45	CFW500B28P0T2DB66G2	\$2,275	13.23	CFW500B14P0T4DB66G2	\$2,050
		230/460	01018ET3ESS215TC	\$3,499	TEFC	12.20	28.06	CFW500B28P0T2DB66G2	\$2,275	14.03	CFW500B14P0T4DB66G2	\$2,050

Wash Down Duty

Please refer to back cover for description of "NOTES"

For detailed specifications, data sheets, drawings and performance curves visit <http://www.weg.net>

Data subject to change without notice.

THREE -PHASE

## Shark™ Motor and CFW500 Washdown Drive Quick Selection Guide



### Shark™ - Stainless Steel - TEFC & TENV - C-Face - Footless

Wash Down Duty

HP	RPM	Volts	Model	Enclosure	Motor List Price	460V Amps	SF Amps @230V	230V Drive	List Price	SF Amps @460V	460V Drive	List Price
0.33	1800	230/460	.3318EP3ESS56CFL	TENV	\$667	0.53	1.22	CFW500A01P6B2DB66G2	\$775	0.61	CFW500A01P0T4DB66G2	\$950
0.5	3600	230/460	.5036EP3ESS56CFL	TENV	\$611	0.65	1.50	CFW500A01P6B2DB66G2	\$775	0.75	CFW500A01P0T4DB66G2	\$950
		230/460	.5018EP3ESS56CFL	TENV	\$689	0.73	1.68	CFW500A02P6B2DB66G2	\$800	0.84	CFW500A01P0T4DB66G2	\$950
		230/460	.5012EP3ESS56CFL	TENV	\$752	0.86	1.98	CFW500A02P6B2DB66G2	\$800	0.99	CFW500A01P0T4DB66G2	\$950
		230/460	.7536EP3ESS56CFL	TENV	\$674	1.02	2.35	CFW500A02P6B2DB66G2	\$800	1.17	CFW500A01P6T4DB66G2	\$975
0.75	3600	230/460	.7518EP3ESS56CFL	TENV	\$787	1.06	2.44	CFW500A02P6B2DB66G2	\$800	1.22	CFW500A01P6T4DB66G2	\$975
		230/460	.7512EP3ESS56CFL	TENV	\$862	1.22	2.80	CFW500A04P3B2DB66G2	\$850	1.4	CFW500A01P6T4DB66G2	\$975
		230/460	00136ET3ESS56CFL	TEFC	\$827	1.45	3.34	CFW500A04P3B2DB66G2	\$850	1.67	CFW500A02P6T4DB66G2	\$990
1	3600	230/460	00136NT3ESS56CFL	TENV	\$898	1.45	3.34	CFW500A04P3B2DB66G2	\$850	1.67	CFW500A02P6T4DB66G2	\$990
		230/460	00118ET3ESS56CFL	TEFC	\$981	1.46	3.36	CFW500A04P3B2DB66G2	\$850	1.68	CFW500A02P6T4DB66G2	\$990
		230/460	00118NT3ESS56CFL	TENV	\$824	1.46	3.36	CFW500A04P3B2DB66G2	\$850	1.68	CFW500A02P6T4DB66G2	\$990
		230/460	00118ET3ESS143TCFL	TEFC	\$1,028	1.46	3.36	CFW500A04P3B2DB66G2	\$850	1.68	CFW500A02P6T4DB66G2	\$990
		230/460	00118NT3ESS143TCFL	TENV	\$1,014	1.46	3.36	CFW500A04P3B2DB66G2	\$850	1.68	CFW500A02P6T4DB66G2	\$990
		230/460	00156ET3ESS56CFL	TEFC	\$1,017	1.99	4.58	CFW500A07P3B2DB66G2	\$1,015	2.29	CFW500A02P6T4DB66G2	\$990
1.5	3600	230/460	00156ET3ESS143TCFL	TEFC	\$1,117	1.99	4.58	CFW500A07P3B2DB66G2	\$1,015	2.29	CFW500A02P6T4DB66G2	\$990
		230/460	00158ET3ESS56CFL	TEFC	\$1,034	2.06	4.74	CFW500A07P3B2DB66G2	\$1,015	2.37	CFW500A02P6T4DB66G2	\$990
		230/460	00158ET3ESS145TCFL	TEFC	\$1,066	2.06	4.74	CFW500A07P3B2DB66G2	\$1,015	2.37	CFW500A02P6T4DB66G2	\$990
		230/460	00236ET3ESS56CFL	TEFC	\$1,139	2.55	5.87	CFW500A07P3B2DB66G2	\$1,015	2.93	CFW500A04P3T4DB66G2	\$1,175
2	3600	230/460	00236ET3ESS145TCFL	TEFC	\$1,275	2.55	5.87	CFW500A07P3B2DB66G2	\$1,015	2.93	CFW500A04P3T4DB66G2	\$1,175
		230/460	00218ET3ESS56CFL	TEFC	\$1,154	2.71	6.23	CFW500A07P3B2DB66G2	\$1,015	3.12	CFW500A04P3T4DB66G2	\$1,175
		230/460	00218ET3ESS145TCFL	TEFC	\$1,198	2.78	6.39	CFW500A07P3B2DB66G2	\$1,015	3.2	CFW500A04P3T4DB66G2	\$1,175
		230/460	00336ET3ESS145TCFL	TEFC	\$1,858	3.78	8.69	CFW500A10P0B2DB66G2	\$1,095	4.35	CFW500A04P3T4DB66G2	\$1,175
3	3600	230/460	00336ET3ESS182TCFL	TEFC	\$1,974	3.73	8.58	CFW500A10P0B2DB66G2	\$1,095	4.29	CFW500A04P3T4DB66G2	\$1,175
		230/460	00318ET3ESS182TCFL	TEFC	\$1,892	3.92	9.02	CFW500A10P0B2DB66G2	\$1,095	4.51	CFW500A06P5T4DB66G2	\$1,400
		230/460	00536ET3ESS184TCFL	TEFC	\$2,282	6.01	13.82	CFW500A16P0T2DB66G2	\$1,350	6.91	CFW500A10P0T4DB66G2	\$1,650
5	3600	230/460	00518ET3ESS184TCFL	TEFC	\$2,215	6.54	15.04	CFW500A16P0T2DB66G2	\$1,350	7.52	CFW500A10P0T4DB66G2	\$1,650
		230/460	00736ET3ESS213TCFL	TEFC	\$3,356	8.82	20.29	CFW500B24P0T2DB66G2	\$1,950	10.14	CFW500B14P0T4DB66G2	\$2,050
7.5	3600	230/460	00718ET3ESS213TCFL	TEFC	\$3,207	9.12	20.98	CFW500B24P0T2DB66G2	\$1,950	10.49	CFW500B14P0T4DB66G2	\$2,050
		230/460	01036ET3ESS215TCFL	TEFC	\$3,604	11.50	26.45	CFW500B28P0T2DB66G2	\$2,275	13.23	CFW500B14P0T4DB66G2	\$2,050
10	3600	230/460	01018ET3ESS215TCFL	TEFC	\$3,477	12.20	28.06	CFW500B28P0T2DB66G2	\$2,275	14.03	CFW500B14P0T4DB66G2	\$2,050

Please refer to back cover for description of "NOTES"

For detailed specifications, data sheets, drawings and performance curves visit [http:// www.weg.net](http://www.weg.net)

# HydroWash™

The Washdown line was designed to meet the requirements of industries where there is a constant need for hygiene and cleanliness of the environment through high pressure water jets and/or chemical products. Washdown motors are applied in food, beverage and pharmaceutical industries.

### Standard Features

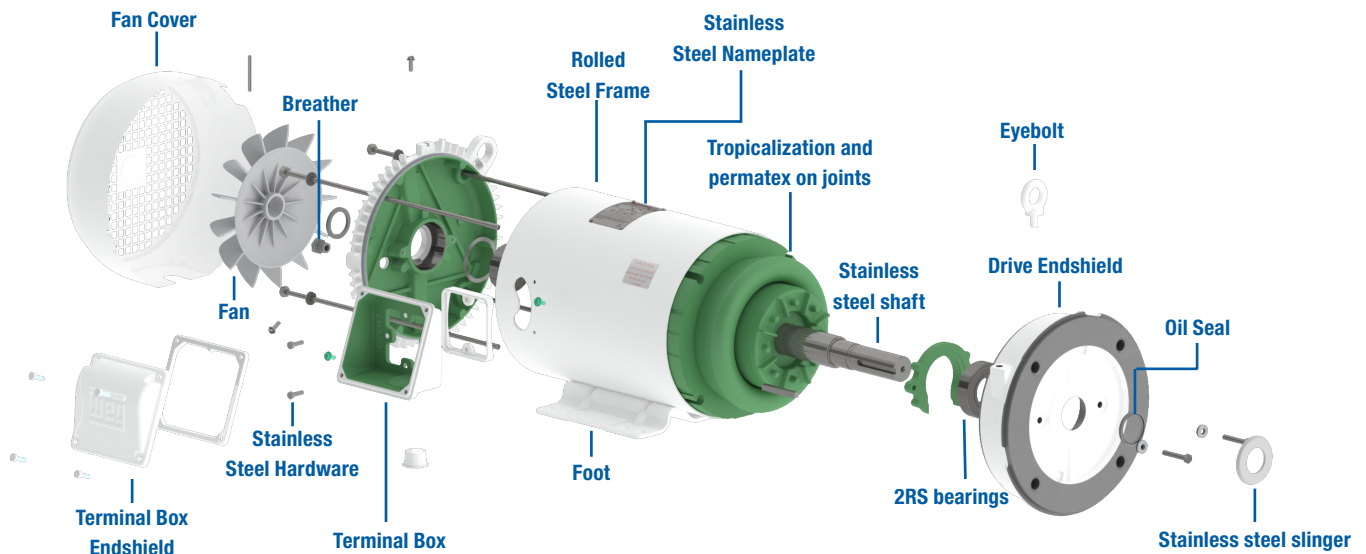
- Output: 1/2 up to 25 HP
- Frames: 56 up to 254/6T
- Number of poles: 2 up to 6
- Certification CSA/UL
- Efficiency: NEMA Standard and NEMA Premium
- Voltage:
  - Frames 56 and 145T - 208-230/460 V with 9 leads
  - Frames 182/4T and 213/5T - 208-230/460//190-220/380-415 V with 9 leads
  - Frames 254/6T - 208-230/460//190-220/380-415 V with 12 leads
- Service factor: 1.15
- Mounting: F-1
- Insulation class "F" ( $\Delta T$  80 K)
- Degree of protection: IP56
- Shaft material: Stainless Steel (AISI 304)
- Bearing type: Shielded (2RS)
- Permatex on joints for frames 182/4T and above
- Viton O'Ring on joints for frames 56 and 145T
- Color: Porcelain White - Munsell N 9.5
- Coating NOBAC® for frames 180 and above
- Internal painting: Tropicalized (Epoxy for frames 180 and above)
- Breather on non drive endshield
- Vibration: Grade A
- Drive end bearing seal:
  - Frames 56 and 145T - Oil seal stainless steel spring + slinger (stainless steel)
  - Frames from 182/4T and above - Oil seal stainless steel spring + slinger (stainless steel)
- Non drive end bearing seal:
  - Frames 56 and 145T - Oil seal stainless steel spring
  - Frames from 182/4T and above - Oil seal stainless steel
- Type of grease: Mobil Polyrex EM
- Fan material: plastic
- Aluminium flanges
- Terminal box material: Aluminium
- External screws and key: Stainless Steel



### Options:

- Other mountings
- Voltage: 575 V with 6 leads
- Space heaters
- Thermal protection
- Cable glands
- Threaded center hole (shaft)
- Vibration: Grade B
- SGR shaft grounding ring (Inverter use)
- Shaft material: Stainless Steel (AISI 316)

Wash Down Duty



Please refer to back cover for description of "NOTES"

For detailed specifications, data sheets, drawings and performance curves visit [http:// www.weg.net](http://www.weg.net)

Data subject to change without notice.



# General Purpose Wash Down Duty



THREE -PHASE



Find the Optimal Match for your HydroWash™ Motor on page 148



## Foot Mount

Wash Down Duty

HP	RPM	Frame	Catalog Number	List Price	Multi.	Enclosure	HZ	SF	FL Amps @ high	C Dim	kVA Code	Appr. Ship. Wt (lbs)
0.5	1725	56C	<a href="#">.5018NT3EHW56CZ</a>	\$644	S2	TENV	60	1.15	0.80	10.230	L	27
0.75	1725	56C	<a href="#">.7518NT3EHW56CZ</a>	\$720	S2	TENV	60	1.15	1.20	10.990	M	33
1	1725	56C	<a href="#">00118NT3EHW56CZ</a>	\$843	S2	TENV	60	1.15	1.50	11.980	K	40
	1725	145TC	<a href="#">00118NT3EHW143TCZ</a>	\$859	S2	TENV	60	1.15	1.50	12.040	K	40
1.5	1725	56C	<a href="#">00158ET3EHW56CZ</a>	\$860	S2	TEFC	60	1.15	2.20	14.460	K	42
	1725	145TC	<a href="#">00158ET3EHW145TCZ</a>	\$880	S2	TEFC	60	1.15	2.20	14.570	K	42
2	1725	56C	<a href="#">00218ET3EHW56CZ</a>	\$1,035	S2	TEFC	60	1.15	2.80	14.550	K	49
	1725	145TC	<a href="#">00218ET3EHW145TCZ</a>	\$1,060	S2	TEFC	60	1.15	2.80	14.550	K	49
	1200	182/4TC	<a href="#">00212ET3EHW184TC-S</a>	\$1,410	S2	TEFC	60	1.15	3.0	17.126	K	91
3	3600	182/4TC	<a href="#">00336ET3EHW182TC-S</a>	\$1,409	S2	TEFC	60	1.15	3.7	16.339	K	77
	1800	182/4TC	<a href="#">00318ET3EHW182TC-S</a>	\$1,380	S2	TEFC	60	1.15	3.8	17.913	K	94
	1200	213/5TC	<a href="#">00312ET3EHW213TC-S</a>	\$1,850	S2	TEFC	60	1.15	4.2	19.291	H	144
5	3600	182/4TC	<a href="#">00536ET3EHW184TC-S</a>	\$1,700	S2	TEFC	60	1.15	5.9	17.913	J	92
	1800	182/4TC	<a href="#">00518ET3EHW184TC-S</a>	\$1,728	S2	TEFC	60	1.15	6.5	17.913	J	88
	1200	213/5TC	<a href="#">00512ET3EHW215TC-S</a>	\$2,185	S2	TEFC	60	1.15	6.7	20.079	H	156
7.5	3600	182/4TC	<a href="#">00736ET3EHW184TC-S</a>	\$2,082	S2	TEFC	60	1.15	8.6	17.126	H	96
	3600	213/5TC	<a href="#">00736ET3EHW213TC-S</a>	\$2,214	S2	TEFC	60	1.15	8.7	20.079	H	145
	1800	213/5TC	<a href="#">00718ET3EHW213TC-S</a>	\$2,230	S2	TEFC	60	1.15	9.1	18.898	H	136
	1200	254/6TC	<a href="#">00712ET3EHW254TC-S</a>	\$3,795	S2	TEFC	60	1.15	10.0	22.559	G	239
10	3600	213/5TC	<a href="#">01036ET3EHW215TC-S</a>	\$2,650	S2	TEFC	60	1.15	11.5	21.654	H	175
	1800	213/5TC	<a href="#">01018ET3EHW215TC-S</a>	\$2,568	S2	TEFC	60	1.15	12.2	19.291	H	147
	1200	254/6TC	<a href="#">01012ET3EHW256TC-S</a>	\$4,345	S2	TEFC	60	1.15	13.8	23.346	G	269
15	3600	213/5TC	<a href="#">01536ET3EHW215TC-S</a>	\$3,250	S2	TEFC	60	1.15	17.0	21.654	J	171
	3600	254/6TC	<a href="#">01536ET3EHW254TC-S</a>	\$4,859	S2	TEFC	60	1.15	17.4	22.559	G	210
	1800	254/6TC	<a href="#">01518ET3EHW254TC-S</a>	\$4,826	S2	TEFC	60	1.15	18.2	22.559	G	242
20	3600	254/6TC	<a href="#">02036ET3EHW256TC-S</a>	\$5,772	S2	TEFC	60	1.15	22.7	23.346	G	248
	1800	254/6TC	<a href="#">02018ET3EHW256TC-S</a>	\$5,830	S2	TEFC	60	1.15	24.7	23.346	H	271
25	3600	254/6TC	<a href="#">02536ET3EHW256TC-S</a>	\$6,887	S2	TEFC	60	1.15	28.5	23.346	J	258

continued on next page

Please refer to back cover for description of "NOTES"

For detailed specifications, data sheets, drawings and performance curves visit <http://www.weg.net>



# General Purpose Wash Down Duty

THREE -PHASE

Footless



Find the Optimal Match for your HydroWash™ Motor on page 149

HP	RPM	Frame	Catalog Number	List Price	Multi.	Enclosure	HZ	SF	FL Amps @ high	C Dim	kVA Code	Appr. Ship. Wt (lbs)
0.5	1725	56C	<a href="#">.5018NT3EHW56CZFL</a>	<b>\$625</b>	S2	TENV	60	1.15	0.80	10.230	L	27
0.75	1725	56C	<a href="#">.7518NT3EHW56CZFL</a>	<b>\$699</b>	S2	TENV	60	1.15	1.11	10.990	L	33
1	1725	56C	<a href="#">00118NT3EHW56CZFL</a>	<b>\$815</b>	S2	TENV	60	1.15	1.50	11.980	K	40
	1725	145TC	<a href="#">00118NT3EHW145TCZ</a>	<b>\$830</b>	S2	TENV	60	1.15	1.50	12.040	K	40
1.5	1725	56C	<a href="#">00158ET3EHW56CZFL</a>	<b>\$830</b>	S2	TEFC	60	1.15	2.20	14.460	K	42
	1725	145TC	<a href="#">00158ET3EHW145TCZ</a>	<b>\$850</b>	S2	TEFC	60	1.15	2.20	14.530	K	42
2	1725	56C	<a href="#">00218ET3EHW56CZFL</a>	<b>\$995</b>	S2	TEFC	60	1.15	2.80	14.550	K	49
	1725	145TC	<a href="#">00218ET3EHW145TCZ</a>	<b>\$1,020</b>	S2	TEFC	60	1.15	2.80	14.550	K	49
3	1800	182/4TC	<a href="#">00318ET3EHW182TC-S</a>	<b>\$1,259</b>	S2	TEFC	60	1.15	3.81	17.913	K	94
5	3600	182/4TC	<a href="#">00536ET3EHW182TC-S</a>	<b>\$1,600</b>	S2	TEFC	60	1.15	5.90	17.913	J	92
	1800	182/4TC	<a href="#">00518ET3EHW184TC-S</a>	<b>\$1,592</b>	S2	TEFC	60	1.15	6.49	17.913	J	87
7.5	3600	213/5TC	<a href="#">00736ET3EHW213TC-S</a>	<b>\$2,010</b>	S2	TEFC	60	1.15	8.67	20.079	H	151
	1800	213/5TC	<a href="#">00718ET3EHW213TC-S</a>	<b>\$2,011</b>	S2	TEFC	60	1.15	9.07	18.898	H	137
10	3600	213/5TC	<a href="#">01036ET3EHW215TC-S</a>	<b>\$2,442</b>	S2	TEFC	60	1.15	11.50	21.654	H	180
	1800	213/5TC	<a href="#">01018ET3EHW215TC-S</a>	<b>\$2,394</b>	S2	TEFC	60	1.15	12.20	19.291	H	147
15	3600	213/5TC	<a href="#">01536ET3EHW215TC-S</a>	<b>\$3,052</b>	S2	TEFC	60	1.15	17.00	21.654	J	176

Wash Down Duty



## Rigid Base

HP	RPM	Frame	Catalog Number	List Price	Multi.	Enclosure	HZ	SF	FL Amps @ high	C Dim	kVA Code	Appr. Ship. Wt (lbs)
3	3600	182/4T	<a href="#">00336ET3EHW182T-S</a>	<b>\$1,340</b>	S2	TEFC	60	1.15	3.7	16.339	K	67
	1800	182/4T	<a href="#">00318ET3EHW182T-S</a>	<b>\$1,315</b>	S2	TEFC	60	1.15	3.8	17.913	K	89
5	3600	182/4T	<a href="#">00536ET3EHW184T-S</a>	<b>\$1,628</b>	S2	TEFC	60	1.15	5.9	17.913	J	87
	1800	182/4T	<a href="#">00518ET3EHW184T-S</a>	<b>\$1,640</b>	S2	TEFC	60	1.15	6.5	17.913	J	82
7.5	3600	182/4T	<a href="#">00736ET3EHW184T-S</a>	<b>\$1,978</b>	S2	TEFC	60	1.15	8.6	17.126	H	91
	3600	213/5T	<a href="#">00736ET3EHW213T-S</a>	<b>\$2,040</b>	S2	TEFC	60	1.15	8.7	20.079	H	145
7.5	1800	213/5T	<a href="#">00718ET3EHW213T-S</a>	<b>\$2,046</b>	S2	TEFC	60	1.15	9.1	18.898	H	133
	10	1800	213/5T	<a href="#">01018ET3EHW215T-S</a>	<b>\$2,350</b>	S2	TEFC	60	1.15	12.2	19.291	H
15	1800	254/6T	<a href="#">01518ET3EHW254T-S</a>	<b>\$4,602</b>	S2	TEFC	60	1.15	18.2	22.559	G	236
20	1800	254/6T	<a href="#">02018ET3EHW256T-S</a>	<b>\$5,571</b>	S2	TEFC	60	1.15	24.7	23.346	H	266

Please refer to back cover for description of "NOTES"

For detailed specifications, data sheets, drawings and performance curves visit <http://www.weg.net>

Data subject to change without notice.

Can't find what you are looking for? Call 1-800-ASK-4WEG (275-4934) **A-147**

THREE -PHASE

## HydroWash™ Motor and CFW500 Washdown Drive Quick Selection Guide

Optimal Match



### HydroWash™ - White Epoxy - TEFC - C-Face - Foot Mount

Wash Down Duty

HP	RPM	Volts	Catalog Number	Motor List Price	FL Amps @ high	230V Drive	Drive List Price	460V Drive	Drive List Price
0.5	1800	230/460	.5018NT3EHW56CZ*	\$644	0.80	CFW500A01P6B2DB66G2	\$775	CFW500A01P0T4DB66G2	\$950
0.75	1800	230/460	.7518NT3EHW56CZ*	\$720	1.20	CFW500A02P6B2DB66G2	\$800	CFW500A01P6T4DB66G2	\$975
1	1800	230/460	00118NT3EHW56CZ*	\$843	1.50	CFW500A04P3B2DB66G2	\$850	CFW500A01P6T4DB66G2	\$975
		230/460	00118NT3EHW143TCZ*	\$859	1.50	CFW500A04P3B2DB66G2	\$850	CFW500A01P6T4DB66G2	\$975
1.5	1800	230/460	00158ET3EHW56CZ	\$860	2.20	CFW500A07P3B2DB66G2	\$1,015	CFW500A02P6T4DB66G2	\$990
		230/460	00158ET3EHW145TCZ	\$880	2.20	CFW500A07P3B2DB66G2	\$1,015	CFW500A02P6T4DB66G2	\$990
2	1800	230/460	00218ET3EHW56CZ	\$1,035	2.80	CFW500A07P3B2DB66G2	\$1,015	CFW500A04P3T4DB66G2	\$1,175
		230/460	00218ET3EHW145TCZ	\$1,060	2.80	CFW500A07P3B2DB66G2	\$1,015	CFW500A04P3T4DB66G2	\$1,175
2	1200	230/460	00212ET3EHW184TC-S	\$1,410	3.0	CFW500A07P3B2DB66G2	\$1,015	CFW500A04P3T4DB66G2	\$1,175
3	3600	230/460	00336ET3EHW182TC-S	\$1,409	3.7	CFW500A10P0B2DB66G2	\$1,095	CFW500A04P3T4DB66G2	\$1,175
3	1800	230/460	00318ET3EHW182TC-S	\$1,380	3.8	CFW500A10P0B2DB66G2	\$1,095	CFW500A04P3T4DB66G2	\$1,175
3	1200	230/460	00312ET3EHW213TC-S	\$1,850	4.2	CFW500A10P0B2DB66G2	\$1,095	CFW500A04P3T4DB66G2	\$1,175
5	3600	230/460	00536ET3EHW184TC-S	\$1,700	5.9	CFW500A16P0T2DB66G2	\$1,350	CFW500A06P5T4DB66G2	\$1,400
5	1800	230/460	00518ET3EHW184TC-S	\$1,728	6.5	CFW500A16P0T2DB66G2	\$1,350	CFW500A06P5T4DB66G2	\$1,400
5	1200	230/460	00512ET3EHW215TC-S	\$2,185	6.7	CFW500A16P0T2DB66G2	\$1,350	CFW500A10P0T4DB66G2	\$1,650
7.5	3600	230/460	00736ET3EHW184TC-S	\$2,082	8.6	CFW500B24P0T2DB66G2	\$1,950	CFW500A10P0T4DB66G2	\$1,650
7.5	3600	230/460	00736ET3EHW213TC-S	\$2,214	8.7	CFW500B24P0T2DB66G2	\$1,950	CFW500A10P0T4DB66G2	\$1,650
7.5	1800	230/460	00718ET3EHW213TC-S	\$2,230	9.1	CFW500B24P0T2DB66G2	\$1,950	CFW500A10P0T4DB66G2	\$1,650
7.5	1200	230/460	00712ET3EHW254TC-S	\$3,795	10.0	CFW500B24P0T2DB66G2	\$1,950	CFW500A10P0T4DB66G2	\$1,650
10	3600	230/460	01036ET3EHW215TC-S	\$2,650	11.5	CFW500B24P0T2DB66G2	\$1,950	CFW500B14P0T4DB66G2	\$2,050
10	1800	230/460	01018ET3EHW215TC-S	\$2,568	12.2	CFW500B28P0T2DB66G2	\$2,275	CFW500B14P0T4DB66G2	\$2,050
10	1200	230/460	01012ET3EHW256TC-S	\$4,345	13.8	CFW500B28P0T2DB66G2	\$2,275	CFW500B14P0T4DB66G2	\$2,050
15	3600	230/460	01536ET3EHW215TC-S	\$3,250	17.0			CFW500B24P0T4DB66G2	\$3,025
15	3600	230/460	01536ET3EHW254TC-S	\$4,859	17.4			CFW500B24P0T4DB66G2	\$3,025
15	1800	230/460	01518ET3EHW254TC-S	\$4,826	18.2			CFW500B24P0T4DB66G2	\$3,025
20	3600	230/460	02036ET3EHW256TC-S	\$5,772	22.7			CFW500B24P0T4DB66G2	\$3,025
20	1800	230/460	02018ET3EHW256TC-S	\$5,830	24.7			CFW500B31P0T4DB66G2	\$3,650
25	3600	230/460	02536ET3EHW256TC-S	\$6,887	28.5			CFW500B31P0T4DB66G2	\$3,650

\* TENV

continued on next page

Please refer to back cover for description of "NOTES"

For detailed specifications, data sheets, drawings and performance curves visit <http://www.weg.net>



# General Purpose Wash Down Duty

THREE -PHASE



**Optimal Match**

## HydroWash™ - White Epoxy - TEFC - C-Face - Footless

HP	RPM	Volts	Catalog Number	Motor List Price	460V Amps	230V Drive	Drive List Price	460V Drive	Drive List Price
0.5	1800	230/460	.5018NT3EHWS6CZFL*	\$510	0.80	CFW500A01P6B2DB66G2	\$775	CFW500A01P0T4DB66G2	\$950
0.75	1800	230/460	.7518NT3EHWS6CZFL*	\$553	1.20	CFW500A02P6B2DB66G2	\$800	CFW500A01P6T4DB66G2	\$975
1	1800	230/460	00118NT3EHWS6CZFL*	\$599	1.50	CFW500A04P3B2DB66G2	\$850	CFW500A01P6T4DB66G2	\$975
		230/460	00118NT3EHWR143TCZ*	\$628	1.50	CFW500A04P3B2DB66G2	\$850	CFW500A01P6T4DB66G2	\$975
1.5	1800	230/460	00158ET3EHWS6CZFL	\$830	2.20	CFW500A07P3B2DB66G2	\$1,015	CFW500A02P6T4DB66G2	\$990
		230/460	00158ET3EHWR145TCZ	\$850	2.20	CFW500A07P3B2DB66G2	\$1,015	CFW500A02P6T4DB66G2	\$990
2	1800	230/460	00218ET3EHWS6CZFL	\$995	2.80	CFW500A07P3B2DB66G2	\$1,015	CFW500A04P3T4DB66G2	\$1,175
		230/460	00218ET3EHWR145TCZ	\$1,020	2.80	CFW500A07P3B2DB66G2	\$1,015	CFW500A04P3T4DB66G2	\$1,175
3	1800	230/460	00318ET3EHWR182TC-S	\$1,259	3.81	CFW500A10P0B2DB66G2	\$1,095	CFW500A04P3T4DB66G2	\$1,175
5	3600	230/460	00536ET3EHWR182TC-S	\$1,600	5.90	CFW500A16P0T2DB66G2	\$1,350	CFW500A06P5T4DB66G2	\$1,400
5	1800	230/460	00518ET3EHWR184TC-S	\$1,592	6.49	CFW500A16P0T2DB66G2	\$1,350	CFW500A06P5T4DB66G2	\$1,400
7.5	3600	230/460	00736ET3EHWR213TC-S	\$2,010	8.67	CFW500B24P0T2DB66G2	\$1,950	CFW500A10P0T4DB66G2	\$1,650
7.5	1800	230/460	00718ET3EHWR213TC-S	\$2,011	9.07	CFW500B24P0T2DB66G2	\$1,950	CFW500A10P0T4DB66G2	\$1,650
10	3600	230/460	01036ET3EHWR215TC-S	\$2,442	11.50	CFW500B24P0T2DB66G2	\$1,950	CFW500B14P0T4DB66G2	\$2,050
10	1800	230/460	01018ET3EHWR215TC-S	\$2,394	12.20	CFW500B28P0T2DB66G2	\$2,275	CFW500B14P0T4DB66G2	\$2,050
15	3600	230/460	01536ET3EHWR215TC-S	\$3,052	17.00			CFW500B24P0T4DB66G2	\$3,025

\*TENV

Wash Down Duty



## HydroWash™ - White Epoxy - TEFC - Rigid Base

HP	RPM	Volts	Catalog Number	Motor List Price	460V Amps	230V Drive	Drive List Price	460V Drive	Drive List Price
3	3600	230/460	00336ET3EHWR182T-S	\$1,340	3.7	CFW500A10P0B2DB66G2	\$1,095	CFW500A04P3T4DB66G2	\$1,175
3	1800	230/460	00318ET3EHWR182T-S	\$1,315	3.8	CFW500A10P0B2DB66G2	\$1,095	CFW500A04P3T4DB66G2	\$1,175
5	3600	230/460	00536ET3EHWR184T-S	\$1,628	5.9	CFW500A16P0T2DB66G2	\$1,350	CFW500A06P5T4DB66G2	\$1,400
5	1800	230/460	00518ET3EHWR184T-S	\$1,640	6.5	CFW500A16P0T2DB66G2	\$1,350	CFW500A06P5T4DB66G2	\$1,400
7.5	3600	230/460	00736ET3EHWR184T-S	\$1,978	8.6	CFW500B24P0T2DB66G2	\$1,950	CFW500A10P0T4DB66G2	\$1,650
7.5	3600	230/460	00736ET3EHWR213T-S	\$2,040	8.7	CFW500B24P0T2DB66G2	\$1,950	CFW500A10P0T4DB66G2	\$1,650
7.5	1800	230/460	00718ET3EHWR213T-S	\$2,046	9.1	CFW500B24P0T2DB66G2	\$1,950	CFW500A10P0T4DB66G2	\$1,650
10	1800	230/460	01018ET3EHWR215T-S	\$2,350	12.2	CFW500B28P0T2DB66G2	\$2,275	CFW500B14P0T4DB66G2	\$2,050
15	1800	230/460	01518ET3EHWR254T-S	\$4,602	18.2			CFW500B24P0T4DB66G2	\$3,025
20	1800	230/460	02018ET3EHWR256T-S	\$5,571	24.7			CFW500B31P0T4DB66G2	\$3,650

Please refer to back cover for description of "NOTES"

For detailed specifications, data sheets, drawings and performance curves visit [http:// www.weg.net](http://www.weg.net)

Data subject to change without notice.

Can't find what you are looking for? Call 1-800-ASK-4WEG (275-4934)

**A-149**

## CFW500-N4X/IP66 WASHDOWN DRIVE

The WEG CFW500 Wash series is a redesign of our most successful CFW500 series product line. Engineer improvements have produced one of the most compact and full featured washdown drive in the market.

The new version with IP66/NEMA 4X protection rating increases the product robustness, ensuring protection against the ingress of dust and water jets from any direction, which allows its use and installation both indoors and outdoors. The new IP66 models of the CFW500 line have the following characteristics.

For Indoor / Outdoor Use



### Standard Features

- Same programming as other WEG VFDs including CFW500-IP20.
- Built-in SoftPLC.
- Scalar, Vector Control (Senseless and closed loop with encoder feedback) & VVW PM (suitable for fan, Pump and compressor).
- NEMA 4X(IP66) Enclosure.
- Available with and without disconnect switch.
- Suitable for indoor and Outdoor use.
- 200-240V, 380-480V or 500-600 input voltage.
- Heavy Duty rated - 150% current overload capacity.
- 0 to 500 Hz output frequency.
- 2.5 to 15 kHz adjustable switching frequency (5 kHz standard)
- Built-in 24Vdc Power supply (max. 150 mA).
- Built-in RS-485 (Modbus RTU) communication.
- Four isolated programmable digital inputs.
- One programmable relay output (1NO, 1NC, 240vac 0.5A).
- One programmable transistor output.
- One isolated programmable analog input (0-10V, 0/4-20mA).
- One isolated programmable analog output (0-10V, 0/4-20mA).
- Protective features: Over current (Phase-Phase short circuit in the output or phase-ground short circuit in the output), Under/overvoltage, overtemperature in heatsink, motor overload, IGBT overload and external fault.
- Control features: Linear and "S" ramp acceleration and deceleration, local/remote control, DC braking, torque boost, motor slip compensation, electronic pot, preset speeds, adjustable V/Hz profile, maximum and minimum adjustable frequency limits, two skip frequencies, adjustable output current limit, JOG, ride-thru, flying start and PID regulator.
- Same keypad with backlight as of CFW500 product line with Main display line, secondary display line and bar graph display.
- Ambient: 14°F (-10°C) to 104°F (40°C), 3300ft (1000m) altitude, 5-95% humidity, non-condensing.
- WLP and WPS (only 230VAC and 460VAC Models) compatible.

### Applications NEMA 4X

- Pumps
- Fans
- Blowers
- Conveyors
- Rollout tables
- Agitators
- Mixers
- Any washdown applications



# CFW500 - N4X/IP66 VFD W/O DISCONNECT SWITCH

Motor Voltage	HD - Motor HP <sup>1</sup>	HD - Drive Amps <sup>2</sup>	Catalog Number	Braking Transistor	Frame Size <sup>4</sup>	Dimensions (in.) HxWxD	Approx. Weight (lbs.)	List Price	Multiplier New (Old)	
230 Vac / 3 Phase	Input Power Supply: Single or Three-Phase 200-240 Vac									
	1/3	1.6	<a href="#">CFW500A01P6B2DB66G2</a>	Yes	A	10.4 x 6.5 x 8.9	22.0	\$775	V1G (V1)	
	3/4	2.6	<a href="#">CFW500A02P6B2DB66G2</a>	Yes	A	10.4 x 6.5 x 8.9	22.0	\$800	V1G (V1)	
	1 1/2	4.3	<a href="#">CFW500A04P3B2DB66G2</a>	Yes	A	10.4 x 6.5 x 8.9	22.0	\$850	V1G (V1)	
	2	7.3	<a href="#">CFW500A07P3B2DB66G2</a>	Yes	A	10.4 x 6.5 x 8.9	22.0	\$1,015	V1G (V1)	
	3	10.0	<a href="#">CFW500A10P0B2DB66G2</a>	Yes	A	10.4 x 6.5 x 8.9	22.0	\$1,095	V1G (V1)	
	Input Power Supply: Three-Phase 200-240 Vac									
	5	16	<a href="#">CFW500A16P0T2DB66G2</a>	Yes	A	10.4 x 6.5 x 8.9	22.0	\$1,350	V1G (V1)	
	7 1/2	24	<a href="#">CFW500B24P0T2DB66G2</a>	Yes	B	13.4 x 8.5 x 8.9	26.5	\$1,950	V1G (V1)	
	10	28	<a href="#">CFW500B28P0T2DB66G2</a>	Yes	B	13.4 x 8.5 x 8.9	26.5	\$2,275	V1G (V1)	
	10	33	<a href="#">CFW500B33P0T2DB66G2</a>	Yes	B	13.4 x 8.5 x 8.9	26.5	\$2,675	V1G (V1)	
	460 Vac / 3 Phase	Input Power Supply: Three-Phase 380-480 Vac								
		1/2	1.0	<a href="#">CFW500A01P0T4DB66G2</a>	Yes	A	10.4 x 6.5 x 8.9	22.0	\$950	V1G (V1)
1		1.6	<a href="#">CFW500A01P6T4DB66G2</a>	Yes	A	10.4 x 6.5 x 8.9	22.0	\$975	V1G (V1)	
2		2.6	<a href="#">CFW500A02P6T4DB66G2</a>	Yes	A	10.4 x 6.5 x 8.9	22.0	\$990	V1G (V1)	
3		4.3	<a href="#">CFW500A04P3T4DB66G2</a>	Yes	A	10.4 x 6.5 x 8.9	22.0	\$1,175	V1G (V1)	
5		6.5	<a href="#">CFW500A06P5T4DB66G2</a>	Yes	A	10.4 x 6.5 x 8.9	22.0	\$1,400	V1G (V1)	
7 1/2		10	<a href="#">CFW500A10P0T4DB66G2</a>	Yes	A	10.4 x 6.5 x 8.9	22.0	\$1,650	V1G (V1)	
10		14	<a href="#">CFW500B14P0T4DB66G2</a>	Yes	B	13.4 x 8.5 x 8.9	26.5	\$2,050	V1G (V1)	
10		16	<a href="#">CFW500B16P0T4DB66G2</a>	Yes	B	13.4 x 8.5 x 8.9	26.5	\$2,275	V1G (V1)	
15		24	<a href="#">CFW500B24P0T4DB66G2</a>	Yes	B	13.4 x 8.5 x 8.9	26.5	\$3,025	V1G (V1)	
25		31	<a href="#">CFW500B31P0T4DB66G2</a>	Yes	B	13.4 x 8.5 x 8.9	26.5	\$3,650	V1G (V1)	
575 Vac / 3 Phase <sup>3</sup>	Input Power Supply: Three-Phase 500-600 Vac									
	1 1/2	1.7	<a href="#">CFW500B01P7T5DB66</a>	Yes	B	13.4 x 8.5 x 8.9	26.5	\$1,590	V1G (V1)	
	3	3.0	<a href="#">CFW500B03P0T5DB66</a>	Yes	B	13.4 x 8.5 x 8.9	26.5	\$1,670	V1G (V1)	
	3	4.3	<a href="#">CFW500B04P3T5DB66</a>	Yes	B	13.4 x 8.5 x 8.9	26.5	\$1,890	V1G (V1)	
	7 1/2	7.0	<a href="#">CFW500B07P0T5DB66</a>	Yes	B	13.4 x 8.5 x 8.9	26.5	\$2,115	V1G (V1)	
	10	10.0	<a href="#">CFW500B10P0T5DB66</a>	Yes	B	13.4 x 8.5 x 8.9	26.5	\$2,330	V1G (V1)	
	10	12.0	<a href="#">CFW500B12P0T5DB66</a>	Yes	B	13.4 x 8.5 x 8.9	26.5	\$2,615	V1G (V1)	

Notes:

- 1) HP rating based on WEG W22 motors average FLA values. Use as a guide only.
- 2) Motor FLA may vary with speed and manufacturer. ALWAYS compare motor FLA to Nominal AMPS of drive.
- 3) All 575V drives are non-stocked items and are still Generation-1 drives, consult WEG for availability.
- 4) Frame Size A & B are rated for 40°C ambient temperature.

Wash Down Duty

Please refer to back cover for description of "NOTES"

For detailed specifications, data sheets, drawings and performance curves visit [http:// www.weg.net](http://www.weg.net)

Data subject to change without notice.

Can't find what you are looking for? Call 1-800-ASK-4WEG (275-4934) **A-151**

## CFW500 - N4X/IP66 VFD With DISCONNECT SWITCH

Motor Voltage	HD - Motor HP <sup>1</sup>	HD - Drive Amps <sup>2</sup>	Catalog Number	Braking Transistor	Frame Size <sup>4</sup>	Dimensions (in.) HxWxD	Approx. Weight (lbs.)	List Price	Multiplier New (Old)	
230 Vac / 3 Phase	Input Power Supply: Single or Three-Phase 200-240 Vac									
	1/3	1.6	CFW500A01P6B2DB66DSG2	Yes	A	10.4 x 6.5 x 9.9	22.0	\$895	V1G (V1)	
	3/4	2.6	CFW500A02P6B2DB66DSG2	Yes	A	10.4 x 6.5 x 9.9	22.0	\$920	V1G (V1)	
	1 1/2	4.3	CFW500A04P3B2DB66DSG2	Yes	A	10.4 x 6.5 x 9.9	22.0	\$980	V1G (V1)	
	2	7.3	CFW500A07P3B2DB66DSG2	Yes	A	10.4 x 6.5 x 9.9	22.0	\$1,170	V1G (V1)	
	3	10.0	CFW500A10P0B2DB66DSG2	Yes	A	10.4 x 6.5 x 9.9	22.0	\$1,255	V1G (V1)	
	Input Power Supply: Three-Phase 200-240 Vac									
	5	16	CFW500A16P0T2DB66DSG2	Yes	A	10.4 x 6.5 x 9.9	22.0	\$1,555	V1G (V1)	
	7 1/2	24	CFW500B24P0T2DB66DSG2	Yes	B	13.4 x 8.5 x 9.9	26.5	\$2,245	V1G (V1)	
	10	28	CFW500B28P0T2DB66DSG2	Yes	B	13.4 x 8.5 x 9.9	26.5	\$2,620	V1G (V1)	
	10	33	CFW500B33P0T2DB66DSG2	Yes	B	13.4 x 8.5 x 9.9	26.5	\$3,080	V1G (V1)	
	460 Vac / 3 Phase	Input Power Supply: Three-Phase 380-480 Vac								
		1/2	1.0	CFW500A01P0T4DB66DSG2	Yes	A	10.4 x 6.5 x 9.9	22.0	\$1,095	V1G (V1)
		1	1.6	CFW500A01P6T4DB66DSG2	Yes	A	10.4 x 6.5 x 9.9	22.0	\$1,125	V1G (V1)
2		2.6	CFW500A02P6T4DB66DSG2	Yes	A	10.4 x 6.5 x 9.9	22.0	\$1,140	V1G (V1)	
3		4.3	CFW500A04P3T4DB66DSG2	Yes	A	10.4 x 6.5 x 9.9	22.0	\$1,350	V1G (V1)	
5		6.5	CFW500A06P5T4DB66DSG2	Yes	A	10.4 x 6.5 x 9.9	22.0	\$1,610	V1G (V1)	
7 1/2		10	CFW500A10P0T4DB66DSG2	Yes	A	10.4 x 6.5 x 9.9	22.0	\$1,900	V1G (V1)	
10		14	CFW500B14P0T4DB66DSG2	Yes	B	13.4 x 8.5 x 9.9	26.5	\$2,360	V1G (V1)	
10		16	CFW500B16P0T4DB66DSG2	Yes	B	13.4 x 8.5 x 9.9	26.5	\$2,620	V1G (V1)	
15		24	CFW500B24P0T4DB66DSG2	Yes	B	13.4 x 8.5 x 9.9	26.5	\$3,480	V1G (V1)	
25		31	CFW500B31P0T4DB66DSG2	Yes	B	13.4 x 8.5 x 9.9	26.5	\$4,200	V1G (V1)	
575 Vac / 3 Phase 3	Input Power Supply: Three-Phase 500-600 Vac									
	1 1/2	1.7	CFW500B01P7T5DB66DS	Yes	B	13.4 x 8.5 x 9.9	26.5	\$1,830	V1G (V1)	
	3	3.0	CFW500B03P0T5DB66DS	Yes	B	13.4 x 8.5 x 9.9	26.5	\$1,925	V1G (V1)	
	3	4.3	CFW500B04P3T5DB66DS	Yes	B	13.4 x 8.5 x 9.9	26.5	\$2,175	V1G (V1)	
	7 1/2	7.0	CFW500B07P0T5DB66DS	Yes	B	13.4 x 8.5 x 9.9	26.5	\$2,435	V1G (V1)	
	10	10.0	CFW500B10P0T5DB66DS	Yes	B	13.4 x 8.5 x 9.9	26.5	\$2,680	V1G (V1)	
10	12.0	CFW500B12P0T5DB66DS	Yes	B	13.4 x 8.5 x 9.9	26.5	\$3,005	V1G (V1)		

Notes:

- 1) HP rating based on WEG W22 motors average FLA values. Use as a guide only.
- 2) Motor FLA may vary with speed and manufacturer. ALWAYS compare motor FLA to Nominal AMPS of drive.
- 3) All 575V drives are non-stocked items and are still Generation-1 drives, consult WEG for availability.
- 4) Frame Size A & B are rated for 40°C ambient temperature.

Please refer to back cover for description of "NOTES"

For detailed specifications, data sheets, drawings and performance curves visit <http://www.weg.net>

## Options and Accessories

Type	CATALOG NUMBER	Description	Approx. Shpg. Wt. (lbs.)
I/O	<b>CFW500-IOS</b> <sup>1</sup>	CFW500 I/O Module; 4 DI, 1 AI, 1 AO, 1 DOR, 1 DOT, 1 RS485, 10vdc, 24vdc	0.2
I/O	<b>CFW500-IOD</b>	CFW500 I/O Module; 8 DI, 1 AI, 1 AO, 1 DOR, 4 DOT, 1 RS485, 10vdc, 24vdc	0.2
I/O	<b>CFW500-IOAD</b>	CFW500 I/O Module; 6 DI, 3 AI, 2 AO, 1 DOR, 3 DOT, 1 RS485, 10vdc, 24vdc	0.2
I/O	<b>CFW500-IOR-B</b>	CFW500 I/O Module; 5 DI, 1 AI, 1 AO, 4 DOR, 1 DOT, 1 RS485, 10vdc, 24vdc	0.2
Encoder Input	<b>CFW500-ENC</b>	CFW500 Encoder Module; Quad Input A & B, 1 RS485, 5 DI, 1 AI, 1 AO, 3 DOR, 1 DOT, 24vdc	0.2
USB Card	<b>CFW500-CUSB</b>	CFW500 Comm. Module; 1 USB, 1 RS485, 4 DI, 1 AI, 1 AO, 1 DOR, 1 DOT, 10vdc, 24vdc	0.2
RS232 Card	<b>CFW500-CRS232</b>	CFW500 Comm. Module; 1 RS232, 1 RS485, 4 DI, 1 AI, 1 AO, 1 DOR, 1 DOT, 24vdc	0.2
RS485 Card	<b>CFW500-CRS485-B</b>	CFW500 Comm. Module; 2 RS485, 4 DI, 2 AI, 1 AO, 2 DOR, 1 DOT, 10vdc, 24vdc	0.2
CANopen Card	<b>CFW500-CCAN</b>	CFW500 Comm. Module; 1 CAN/DeviceNet, 1 RS485, 2 DI, 1 AI, 1 AO, 1 DOR, 1 DOT, 10vdc, 24vdc	0.2
Profibus DP & DP-V1 Module	<b>CFW500-CPDP2</b>	CFW500 Comm. Module; 1-Profibus DP & DP-V1 100BASE TX RJ-45 Port, 1-RS485, 2-DI, 1-AI, 1-AO, 1-DOR, 1-DOT, 24vdc (Terminal Block Connector)	0.2
Modbus TCP Comm. Module	<b>CFW500-CEMB-TCP</b>	CFW500 Comm. Module; 1-Modbus TCP 100BASE TX RJ-45 Port, 1-RS485, 2-DI, 1-AI, 1-AO, 1-DOR, 1-DOT, 24vdc	0.2
ProfiNet I/O Comm. Module	<b>CFW500-CEPN-IO</b>	CFW500 Comm. Module; 1-ProfiNet I/O 100BASE TX RJ-45 Port, 1-RS485, 2-DI, 1-AI, 1-AO, 1-DOR, 1-DOT, 24vdc	0.2
EtherNet IP Comm. Module	<b>CFW500-CETH-IP</b>	CFW500 Comm. Module; 2-DI, 1-AI, 1-AO, 1-DOR, 1-DOT, 1-RS485, 1-EtherNet IP 100BASE TX RJ-45 Port, 24vdc	0.2
STO Module	<b>CFW500-SFY2</b> <sup>2</sup>	CFW500 Safety Function Module; Safe Torque Off (STO) / Stop Category 0, Safe Stop 1 Time Controlled (SS1-t) / Stop Category 1; Safety Category: SIL 3, PL e	1.8
STO Module Plug	<b>CFW50X-STO-JMP</b>	CFW50x STO module plug	0.2
Flash Memory Module	<b>CFW500-MMF</b>	CFW500 Flash Memory Module for saving and reloading program and parameters to / from the drive.	0.2
Remote Keypad - Non Text	<b>CFW500-HMIR</b> <sup>3</sup>	CFW500 Remote non-text Keypad for mounting through enclosure door (Mounting Frame Kit is not required).	0.6
Remote Keypad - Advanced Text	<b>HMI-01</b> <sup>4</sup>	CFW500 Remote Advanced Text Keypad for mounting through enclosure door (Mounting Frame Kit is required).	0.4
Remote Keypad - Advanced Text Frame Kit	<b>CFW500-RHMIF</b>	CFW500 Remote Advanced Text Keypad enclosure door mounting frame kit	0.5
HMI Cable 1M	<b>CFW500-CCHMIR01M</b>	3.3 ft (1 meter) Remote Keypad Cable	0.5
HMI Cable 2M	<b>CFW500-CCHMIR02M</b>	6.6 ft (2 meter) Remote Keypad Cable	0.7
HMI Cable 3M	<b>CFW500-CCHMIR03M</b>	9.9 ft (3 meter) Remote Keypad Cable	1.0
HMI Cable 5M	<b>CFW500-CCHMIR05M</b>	16 ft (5 meter) Remote Keypad Cable	1.2
HMI Cable 7.5M	<b>CFW500-CCHMIR075M</b>	25 ft (7.5 meter) Remote Keypad Cable	1.5
HMI Cable 10M	<b>CFW500-CCHMIR010M</b>	33 ft (10 meter) Remote Keypad Cable	2.0

**Notes:**

1. CFW500-IOS Card is included as standard with CFW500-IP66 Drives.
2. The Safety Function Module can be installed in the CFW500-IP66 drives in addition to the IOS module / any other I/O module / communication module. This model only works with 230VAC and 460VAC drives.
3. The "CFW500-HMIR" Remote Keypad (Non-Text) requires Qty. (1) CFW500-CCHIR0xM cable. ("x" represents the cable length in meters).
4. The "HMI-01" remote Keypad (Advanced Text) requires Qty. (1) CFW500-RHMIF & Qty. (1) CFW500-CCHIR0xM cable. ("x" represents the cable length in meters). This keypad only works with 230VAC and 460VAC drives.

Please refer to back cover for description of "NOTES"

For detailed specifications, data sheets, drawings and performance curves visit <http://www.weg.net>

Data subject to change without notice.

## CFW500-N4X/IP66 Technical Data

<b>Power Supply</b>	Voltage	Single phase or Three Phase	200-240 Vac (+10%, -15%)
		Three phase	380-480 Vac, 500-600 Vac (+10%, -15%)
	Frequency	50 / 60Hz +/- 2Hz	
<b>Enclosure</b>	Degree of Protection	NEMA 4X / IP66	
	Mounting	Indoor / Outdoor	
<b>Control</b>	Control Modes	Volts per Hertz (Scalar)	VVW: Voltage vector control
		Sensorless Voltage Vector	Vector control with encoder
	Power Output	Sinusoidal PWM (Space Vector Modulation)	
		IGBT Transistors	
	Switching Frequency	2.5kHz to 15kHz	
	Frequency Range	0-500 Hz, resolution of 0.015 Hz	
	Overload Capacity	150% for 60 seconds, repeatable every 10 min.	
<b>Inputs</b>	4 programmable isolated digital inputs, 24V DC, NPN (Active Low) or PNP (Active High)		
	1 programmable isolated analog input; programmable for current or voltage (0-10V, 4-20mA or 0-20mA)		
<b>Outputs</b>	1 programmable relay output: Form C (One NO & NC contact), 240 V / 0.5 A		
	1 programmable isolated open collector digital output (transistor Output); 24Vdc.		
	1 programmable isolated analog output; programmable for current or voltage (0-10V, 4-20mA or 0-20mA)		
<b>Power Supply</b>	24 Vdc, +/- 20%, Max. 150 mA		
	10 Vdc, Max. 2 mA		
<b>Communication</b>	Isolated RS485 (One Port)		
	Modbus-RTU with max. communication of 38.4 kbps		
<b>Safety</b>	Protections	Motor over current	DC link over voltage
		Motor overload	DC link under voltage
		Output phase-to-phase short circuit	Drive over temperature
		Output phase-to-ground short circuit	External fault
		Programming error	
<b>Ambient</b>	Temperature	14 - 104°F (-10 to 40°C), up to 122°F (50°C) with 2% / 1.8°F (1°C) output current derating.	
	Humidity	5-95% Non Condensing	
	Altitude	0-3300 ft (1000m), up to 13,200 ft (4000m) with 1% / 328ft (100 m) output current derating.	
<b>Regulatory Conformance</b>	Safety Standards	UL 508C, UL 840, IEN/EN 61800-5-1, EN 50178, IEC/EN 60204-1, IEC/EN 60146, IEC/EN 61800-2	
	Electromagnetic Compatibility (EMC)	IEC/EN 61800-3, CISPR 11, IEC/EN 61000-4-2/3/4/5/6.	
	Mechanical Construction	IEC/EN 60529, UL 50, IEC/EN 60721-3-3	
<b>Special Functions</b>	Linear and "S" ramp accel and decel, local/remote control, FWD/REV selection, DC braking, manual and auto torque boost, motor slip compensation, electronic pot, two skip frequencies, maximum and minimum adjustable frequency limits, adjustable output current, Dc bus regulation, Speed/Torque Control, PID		
<b>Keypad</b>	Three lines of Display (Main display, Secondary display & Bar display) displaying three parameters, LDC; 9 keys		
	Readouts for: output frequency (Hz), output current (A), output voltage (V), motor torque (%) in vector mode, DC bus voltage (V), value proportional to frequency (Ex.: RPM), heatsink temperature, fault and status messages		

## SINGLE-PHASE

TEFC – Foot Mount	A-159
TEFC – C-Face – Foot Mount	A-160
TEFC – C-Face – Footless	A-160
TEFC – Foot Mount – Thermally Protected	A-161
ODP – Foot Mount	A-162
ODP – Resilient Base	A-163
ODP – C-Face – Foot Mount	A-164
ODP – C-Face – Footless	A-165
ODP – Foot Mount – Thermally Protected	A-165

## THREE-PHASE

TEFC – Foot Mount	A-166
TEFC – C-Face – Foot Mount	A-167
TEFC – C-Face – Footless	A-168
ODP – Foot Mount	A-169
ODP – C-Face – Foot Mount	A-170
ODP – C-Face – Footless	A-171
ODP – Resilient Base	A-171

## DC MOTORS

NEMA 56 PMDC Motors	A-172
NEMA 145TC PMDC Motors	A-172

## EXPLOSION PROOF - SINGLE-PHASE

Foot Mount	A-174
C-Face – Foot Mount	A-174

## EXPLOSION PROOF - THREE-PHASE

Foot Mount	A-175
C-Face – Foot Mount	A-175



# Fractional Motors

## Single-Phase TEFC & ODP

High Starting Torque makes these motors ideal for a wide range of applications.

### Standard Features:

- Ball bearings
- Class F insulation



ODP



TEFC

### Features that make a difference:

- High Starting Torque
- TEFC motors are rated IP55 (gasketed conduit box and capacitor cover)



Resilient Base

### ADDITIONAL TECHNICAL DATA

ELECTRICAL DATA: TEFC - STANDARD EFF. - B-6  
ODP - STANDARD EFF. - B-9  
ODP - PREMIUM EFF. - B-11

MECHANICAL DATA: TEFC - STANDARD EFF. - B-60  
ODP - STANDARD EFF. - B-64  
ODP - PREMIUM EFF. - B-68

# Fractional Motors

## Three-Phase TEFC & ODP

High Starting Torque makes these motors ideal for a wide range of applications.

### Standard Features:

- 50/60 Hz Rated
- Ball bearings
- Class F insulation



ODP



TEFC



Resilient Base

### Features that make a difference:

- Motors are suitable for VFD operation (TEFC)
- 50/60 Hz Rated
- Service Factor 1.15 or better
- TEFC rated IP55 (gasketed conduit box and capacitor cover)

Fractional Motors

### ADDITIONAL TECHNICAL DATA

**ELECTRICAL DATA:** TEFC - STANDARD EFF. - B-23  
 TEFC - PREMIUM EFF. - B-22  
 ODP - STANDARD EFF. - B-25  
 ODP - PREMIUM EFF. - B-24

**MECHANICAL DATA:** TEFC - STANDARD EFF. - B-85  
 TEFC - PREMIUM EFF. - B-83  
 ODP - STANDARD EFF. - B-89  
 ODP - PREMIUM EFF. - B-87

#### Inverter Rated

	Max Ambient temp.	Efficiency	Frame	Output	Poles	CT Constant Torque	VT Variable torque
ODP	Up to 40°C	None (Standard Eff)	48 - 56	<1Hp	-	4:1	1000:1
				≥ 1Hp	-	2:1	
		Premium Efficiency	48 - 56	<1Hp	2	5:1	
				≥ 1Hp	2	3:1	
TEFC	Up to 40°C	None (Standard Eff)	48 - 56	<1Hp	-	10:1	
				≥ 1Hp	-	5:1	
		Premium Efficiency	48 - 56	-	2	10:1	
				-	4, 6 and 8	4:1	



Please refer to back cover for description of "NOTES"

For detailed specifications, data sheets, drawings and performance curves visit <http://www.weg.net>



### TEFC - Foot Mount

HP	kW	RPM	Frame	Catalog Number	List Price	Mult. Symbol	Approx. Shipping Weight (lbs)	Service Factor	FL Amps @ High	FL. Eff (%)	"C" Dimension (in)	Voltage (V)	Notes
0.25	0.18	3600	W56	<b>.2536ES1BW56-S</b>	<b>\$257</b>	F1	20	1.15	2.10	50.0	10.713	115/208-230	9
		1800	W56	<b>.2518ES1BW56-S</b>	<b>\$267</b>	F1	20	1.15	2.30	57.0	11.106	115/208-230	9
0.33	0.25	3600	W56	<b>.3336ES1BW56-S</b>	<b>\$267</b>	F1	23	1.15	2.60	54.0	11.106	115/208-230	9
		1800	W56	<b>.3318ES1BW56-S</b>	<b>\$283</b>	F1	22	1.15	3.00	61.0	11.500	115/208-230	9
		1800	W56	<b>.3318ES1RFDW56-S</b>	<b>\$284</b>	R1	22	1.15	3.00	61.0	11.500	115/230	4;9
0.5	0.37	3600	W56	<b>.5036ES1BW56-S</b>	<b>\$284</b>	F1	24	1.15	3.50	60.0	11.500	115/208-230	9
		3600	W56	<b>.5036ES1BOLW56-S</b>	<b>\$316</b>	F1	24	1.15	3.50	60.0	11.500	115/208-230	4;9
		1800	W56	<b>.5018ES1RFDW56-S</b>	<b>\$308</b>	R1	25	1.15	4.00	64.0	11.894	115/230	4;9
		1800	W56	<b>.5018ES1BW56-S</b>	<b>\$312</b>	F1	24	1.15	4.00	64.0	11.894	115/208-230	9
		1200	W56	<b>.5012ES1B56-S</b>	<b>\$512</b>	F1	38	1.15	3.20	71.0	13.508	115/208-230	9
0.75	0.55	3600	56	<b>.7536ES1BOL56-S</b>	<b>\$329</b>	F1	31	1.15	4.00	66.0	12.721	115/208-230	4;9
		3600	56	<b>.7536ES1B56-S</b>	<b>\$297</b>	F1	31	1.15	4.00	66.0	12.721	115/208-230	9
		1800	56	<b>.7518ES1RFD56-S</b>	<b>\$357</b>	R1	34	1.15	5.30	68.5	13.114	115/230	4;9
		1800	56	<b>.7518ES1B56-S</b>	<b>\$348</b>	F1	33	1.15	5.30	68.5	13.114	115/208-230	9
		1200	56H	<b>.7512ES1B56-S</b>	<b>\$648</b>	F1	44	1.15	4.70	70.0	14.295	115/208-230	9
1	0.75	3600	56	<b>00136ES1BOL56-S</b>	<b>\$408</b>	F1	35	1.15	5.10	70.0	13.114	115/208-230	4;9
		3600	56	<b>00136ES1B56-S</b>	<b>\$376</b>	F1	34	1.15	5.10	70.0	13.114	115/208-230	9
		1800	56	<b>00118ES1RFD56-S</b>	<b>\$394</b>	R1	40	1.15	6.80	71.0	13.901	115/230	4;9
		1800	56	<b>00118ES1B56-S</b>	<b>\$401</b>	F1	39	1.15	6.80	71.0	13.902	115/208-230	9
1.5	1.1	3600	56	<b>00156ES1B56-S</b>	<b>\$432</b>	F1	39	1.15	6.60	75.0	13.902	115/208-230	9
		3600	56	<b>00156ES1BOL56-S</b>	<b>\$463</b>	F1	39	1.15	6.60	75.0	13.902	115/208-230	4;9
		1800	56H	<b>00158ES1RFD56H-S</b>	<b>\$502</b>	R1	51	1.15	7.50	77.0	15.083	115/230	4;9
		1800	56H	<b>00158ES1B56-S</b>	<b>\$456</b>	F1	40	1.15	7.50	77.0	15.083	115/208-230	9
2	1.5	3600	56H	<b>00236ES1BOL56-S</b>	<b>\$592</b>	F1	44	1.15	8.70	77.0	14.295	115/208-230	4;9
		3600	56H	<b>00236ES1B56-S</b>	<b>\$561</b>	F1	44	1.15	8.70	77.0	14.295	115/208-230	9
		1800	56H	<b>00218ES1RFD56H-S</b>	<b>\$529</b>	R1	56	1.15	10.0	78.5	15.870	115/230	4;9

Please refer to back cover for description of "NOTES"

For detailed specifications, data sheets, drawings and performance curves visit <http://www.weg.net>

Data subject to change without notice.

# Fractional Motors



SINGLE -PHASE



## TEFC - C-Face - Foot Mount

HP	kW	RPM	Frame	Catalog Number	List Price	Mult. Symbol	Approx. Shipping Weight (lbs)	Service Factor	FL Amps @ High	FL. Eff (%)	"C" Dimension (in)	Voltage (V)	Notes
0.25	0.18	3600	W56C	.2536ES1BW56C-S	\$280	F1	20	1.15	2.10	50.0	10.713	115/208-230	9
		1800	W56C	.2518ES1BW56C-S	\$288	F1	20	1.15	2.30	57.0	11.106	115/208-230	9
0.33	0.25	3600	W56C	.3336ES1BW56C-S	\$288	F1	22	1.15	2.60	54.0	11.106	115/208-230	9
		1800	W56C	.3318ES1BW56C-S	\$304	F1	22	1.15	3.00	61.0	11.500	115/208-230	9
0.5	0.37	3600	W56C	.5036ES1BW56C-S	\$313	F1	24	1.15	3.50	60.0	11.500	115/208-230	9
		1800	W56C	.5018ES1BW56C-S	\$333	F1	26	1.15	4.00	64.0	11.894	115/208-230	9
		1800	W56C	.5018ES1B0W56C-S	\$348	F1	24	1.15	4.00	64.0	11.894	115/208-230	3;9
		1200	W56C	.5012ES1B56C-S	\$535	F1	39	1.15	3.20	67.0	13.508	115/208-230	9
0.75	0.55	3600	56C	.7536ES1B56C-S	\$353	F1	32	1.15	4.00	66.0	12.721	115/208-230	9
		1800	56C	.7518ES1B56C-S	\$370	F1	34	1.15	5.30	68.5	13.114	115/208-230	9
		1200	56HC	.7512ES1B56C-S	\$669	F1	45	1.15	4.70	70.0	14.295	115/208-230	9
1	0.75	3600	56C	00136ES1B56C-S	\$378	F1	35	1.15	5.10	70.0	13.114	115/208-230	9
		1800	56C	00118ES1B56C-S	\$424	F1	40	1.15	6.80	71.0	13.902	115/208-230	9
		1800	56C	00118ES1B056C-S	\$439	F1	40	1.15	6.80	71.0	13.902	115/208-230	3;9
1.5	1.1	3600	56C	00156ES1B56C-S	\$454	F1	40	1.15	6.60	75.0	13.902	115/208-230	9
		1800	56HC	00158ES1B056C-S	\$493	F1	41	1.15	7.50	77.0	15.083	115/208-230	3;9
		1800	56HC	00158ES1B56C-S	\$478	F1	41	1.15	7.50	77.0	15.083	115/208-230	9
2	1.5	3600	56HC	00236ES1B56C-S	\$589	F1	44	1.15	8.70	77.0	14.295	115/208-230	9



## TEFC - C-Face - Footless

HP	kW	RPM	Frame	Catalog Number	List Price	Mult. Symbol	Approx. Shipping Weight (lbs)	Service Factor	FL Amps @ High	FL. Eff (%)	"C" Dimension (in)	Voltage (V)	Notes
0.33	0.25	3600	W56C	.3336ES1BW56CFL-S	\$288	F1	21	1.15	2.60	53.0	11.106	115/208-230	9;20
		1800	W56C	.3318ES1BW56CFL-S	\$304	F1	22	1.15	3.00	61.0	11.500	115/208-230	9;20
0.5	0.37	3600	W56C	.5036ES1BW56CFL-S	\$313	F1	24	1.15	3.50	60.0	11.500	115/208-230	9;20
		1800	W56C	.5018ES1BW56CFL-S	\$333	F1	24	1.15	4.00	64.0	11.894	115/208-230	9;20
		1200	56C	.5012ES1B56CFL-S	\$535	F1	38	1.15	3.20	71.0	13.508	115/208-230	9;20
0.75	0.55	3600	56C	.7536ES1B56CFL-S	\$353	F1	31	1.15	4.00	66.0	12.721	115/208-230	9;20
		1800	56C	.7518ES1B56CFL-S	\$370	F1	34	1.15	5.30	68.5	13.114	115/208-230	9;20
		1200	56C	.7512ES1B56CFL-S	\$669	F1	44	1.15	4.70	70.0	14.295	115/208-230	9;20
1	0.75	3600	56C	00136ES1B56CFL-S	\$378	F1	35	1.15	5.10	70.0	13.114	115/208-230	9;20
		1800	56C	00118ES1B56CFL-S	\$424	F1	39	1.15	6.80	71.0	13.902	115/208-230	9;20
1.5	1.1	3600	56C	00156ES1B56CFL-S	\$454	F1	39	1.15	6.60	75.0	13.902	115/208-230	9;20
		1800	56C	00158ES1B56CFL-S	\$478	F1	40	1.15	7.50	77.0	15.083	115/208-230	9;20
2	1.5	3600	56C	00236ES1B56CFL-S	\$589	F1	43	1.15	8.70	77.0	14.295	115/208-230	9;20

Please refer to back cover for description of "NOTES"

For detailed specifications, data sheets, drawings and performance curves visit <http://www.weg.net>



# Fractional Motors

SINGLE -PHASE

## TEFC - Foot Mount - Thermally Protected

HP	kW	RPM	Frame	Catalog Number	List Price	Mult. Symbol	Approx. Shipping Weight (lbs)	Service Factor	FL Amps @ High	FL. Eff (%)	"C" Dimension (in)	Voltage (V)	Notes
0.33	0.25	1800	W56	.3318ES1RFDW56-S	\$284	R1	22	1.15	3.00	61.0	11.500	115/230	4;9
0.5	0.37	3600	W56	.5036ES1BOLW56-S	\$316	F1	24	1.15	3.50	60.0	11.500	115/208-230	4;9
		1800	W56	.5018ES1RFDW56-S	\$308	R1	25	1.15	4.00	64.0	11.894	115/230	4;9
0.75	0.55	3600	56	.7536ES1BOL56-S	\$329	F1	31	1.15	4.00	66.0	12.721	115/208-230	4;9
		1800	56	.7518ES1RFD56-S	\$357	R1	34	1.15	5.30	68.5	13.114	115/230	4;9
1	0.75	3600	56	00136ES1BOL56-S	\$408	F1	35	1.15	5.10	70.0	13.114	115/208-230	4;9
		1800	56	00118ES1RFD56-S	\$394	R1	40	1.15	6.80	71.0	13.901	115/230	4;9
1.5	1.1	3600	56	00156ES1BOL56-S	\$463	F1	39	1.15	6.60	75.0	13.902	115/208-230	4;9
		1800	56H	00158ES1RFD56H-S	\$502	R1	51	1.15	7.50	77.0	15.083	115/230	4;9
2	1.5	3600	56H	00236ES1BOL56-S	\$592	F1	44	1.15	8.70	77.0	14.295	115/208-230	4;9
		1800	56H	00218ES1RFD56H-S	\$529	R1	56	1.15	10.0	78.5	15.870	115/230	4;9

Fractional Motors

Please refer to back cover for description of "NOTES"

For detailed specifications, data sheets, drawings and performance curves visit <http://www.weg.net>

Data subject to change without notice.

Can't find what you are looking for? Call 1-800-ASK-4WEG (275-4934)

A-161

# Fractional Motors

SINGLE -PHASE



## ODP - Foot Mount

HP	kW	RPM	Frame	Catalog Number	List Price	Mult. Symbol	Approx. Shipping Weight (lbs)	Service Factor	FL Amps @ High	FL. Eff (%)	"C" Dimension (in)	Voltage (V)	Notes
0.12	0.09	1800	48	.12180S1B48-S	\$201	F1B	18	1.40	1.40	50.0	9.098	115/208-230	9
		3600	48	.16360S1B48-S	\$216	F1B	21	1.35	1.40	53.0	9.098	115/208-230	9
0.16	0.12	1800	48	.16180S1B48-S	\$208	F1B	22	1.35	1.70	53.0	9.098	115/208-230	9
		3600	48	.25360T1B48-S	\$253	F2B	19	1.35	1.30	66.6	9.492	115/208-230	9
0.25	0.18	3600	W56	.25360T1BW56-S	\$253	F2B	19	1.35	1.30	66.6	9.866	115/208-230	9
		1800	48	.25180T1B48-S	\$241	F2B	18	1.35	1.60	68.5	9.492	115/208-230	9
		1800	W56	.25180T1BW56-S	\$241	F2B	19	1.35	1.60	68.5	9.866	115/208-230	9
		3600	48	.33360T1B48-S	\$256	F2B	23	1.35	1.60	70.5	9.886	115/208-230	9
0.33	0.25	3600	W56	.33360T1BW56-S	\$257	F2B	23	1.35	1.60	70.5	10.260	115/208-230	9
		1800	48	.33180T1B48-S	\$275	F2B	20	1.35	2.10	72.4	9.886	115/208-230	9
		1800	W56	.33180T1BW56-S	\$275	F2B	21	1.35	2.10	72.4	10.260	115/208-230	9
		3600	48	.50360T1B48-S	\$276	F2B	23	1.25	2.40	72.4	9.886	115/208-230	9
0.5	0.37	3600	W56	.50360S1BCDW56-S	\$224	C1S	28	1.00	3.10	63.0	9.866	115/208-230	1;4;6;9
		3600	W56	.50360T1BW56-S	\$282	F2B	24	1.25	2.40	72.4	10.260	115/208-230	9
		1800	48	.50180T1B48-S	\$318	F2B	23	1.25	2.80	76.2	10.280	115/208-230	9
		1800	W56	.50180T1BW56-S	\$307	F2B	23	1.25	2.80	76.2	10.654	115/208-230	9
		3600	W56	.75360S1BCDW56-S	\$237	C1S	22	1.00	4.30	68.5	10.260	115/208-230	1;4;6;9
0.75	0.55	3600	56	.75360T1B56-S	\$320	F2B	30	1.25	3.40	76.2	11.890	115/208-230	9
		1800	56	.75180T1B56-S	\$387	F2B	38	1.25	3.40	81.8	11.890	115/208-230	9
		3600	56	001360S1BCD56-S	\$278	C1S	36	1.00	6.60	67.0	11.102	115/208-230	1;4;6;9
1	0.75	3600	56	001360T1B56-S	\$347	F2B	35	1.25	4.30	80.4	11.890	115/208-230	9
		1800	56	001180T1B56-S	\$421	F2B	41	1.15	4.50	82.6	12.677	115/208-230	9
		1800	56	001180T1B056-S	\$438	F2B	41	1.15	4.50	82.6	12.677	115/208-230	3;9
		3600	56	001560S1BCD56-S	\$311	C1S	40	1.00	8.70	68.0	11.496	115/208-230	1;4;6;9
1.5	1.1	3600	56	001560T1B56-S	\$393	F2B	38	1.15	6.20	81.5	12.284	115/208-230	9
		1800	56H	001580T1B56-S	\$523	F2B	49	1.15	6.80	83.8	13.071	115/208-230	9
		1800	56H	001580T1B056-S	\$541	F2B	50	1.15	6.80	83.8	13.465	115/208-230	3;9
		3600	56H	002360S1BCD56-S	\$372	C1S	34	1.00	8.90	70.0	11.890	115/208-230	1;4;6;9
2	1.5	3600	56H	002360T1B56-S	\$485	F2B	43	1.15	8.40	82.9	12.677	115/208-230	9
		1800	56H	002180T1B56-S	\$626	F2B	54	1.15	9.30	84.5	13.465	115/208-230	9
		3600	56H	003360S1CCD56-S	\$432	C1S	41	1.00	12.7	80.0	12.677	208-230	1;4;6;9
3	2.2	3600	56H	003360T1B56-S	\$568	F2B	52	1.15	12.2	84.1	13.465	115/208-230	9
		3600	56H	005360S1DCD56H-S	\$458	C1S	53	1.00	20.3	80.0	13.465	230	1;4;6;9
5	3.7	3600	56HZ	005360S1DCD56HZ-S	\$481	C1S	53	1.00	20.3	80.0	13.533	230	1;4;5;6;9

Fractional Motors

Please refer to back cover for description of "NOTES"

For detailed specifications, data sheets, drawings and performance curves visit <http://www.weg.net>





### ODP - Resilient Base

HP	kW	RPM	Frame	Catalog Number	List Price	Mult. Symbol	Approx. Shipping Weight (lbs)	Service Factor	FL Amps @ High	FL. Eff (%)	"C" Dimension (in)	Voltage (V)	Notes
0.16	0.12	1800	48Z	<a href="#">.16180S1ASPRB048Z-S</a>	\$272	F1B	21	1.35	3.00	50.5	10.138	115	3;9;13;16
		1800	48Z	<a href="#">.16180S1ASPRB48Z-S</a>	\$260	F1B	21	1.35	3.00	50.5	10.138	115	9;13;16
0.25	0.18	1800	48Z	<a href="#">.25180S1BSPRB048Z-S</a>	\$274	F1B	22	1.35	2.10	55.0	10.138	115/208-230	3;9;13;16
		1800	48Z	<a href="#">.25180S1ASPRB048Z-S</a>	\$274	F1B	22	1.35	4.30	55.0	10.138	115	3;9;13;16
		1800	48Z	<a href="#">.25180S1ASPRB48Z-S</a>	\$262	F1B	22	1.35	4.30	55.0	10.138	115	9;13;16
0.33	0.25	1800	48Z	<a href="#">.33180S1BSPRB048Z-S</a>	\$284	F1B	24	1.35	2.60	60.8	10.138	115/208-230	3;9;13;16
		1800	W56	<a href="#">.33180S1BSPRB0W56-S</a>	\$288	F1B	25	1.35	2.60	62.0	10.138	115/208-230	3;9;13;16
		1800	W56	<a href="#">.33180S1BSPRBW56-S</a>	\$276	F1B	25	1.35	2.60	62.0	10.138	115/208-230	9;13;16
		1800	48Z	<a href="#">.33180S1BSPRB48Z-S</a>	\$272	F1B	24	1.35	2.60	60.8	10.138	115/208-230	9;13;16
		1800	W56	<a href="#">.33180T1BRBOW56-S</a>	\$325	F2B	24	1.35	2.10	72.4	10.925	115/208-230	3;9;13
0.5	0.37	1800	48Z	<a href="#">.50180S1BSPRB048Z-S</a>	\$311	F1B	29	1.25	3.70	63.5	10.925	115/208-230	3;9;13;16
		1800	48Z	<a href="#">.50180S1BSPRB48Z-S</a>	\$299	F1B	29	1.25	3.70	63.5	10.925	115/208-230	9;13;16
		1800	W56	<a href="#">.50180S1BSPRB0W56-S</a>	\$316	F1B	30	1.25	3.70	63.5	10.945	115/208-230	3;9;13;16
		1800	W56	<a href="#">.50180S1BSPRBW56-S</a>	\$304	F1B	30	1.25	3.70	63.5	10.945	115/208-230	9;13;16
		1800	W56	<a href="#">.50180T1BRBOW56-S</a>	\$368	F2B	26	1.25	2.75	76.2	11.319	115/208-230	3;9;13
0.75	0.55	1800	56	<a href="#">.75180T1BRB056-S</a>	\$434	F2B	38	1.25	3.40	81.8	12.402	115/208-230	3;9;13
1	0.75	1800	56	<a href="#">001180T1BRB056-S</a>	\$468	F2B	43	1.15	4.50	82.6	13.189	115/208-230	3;9;13
1.5	1.1	3600	56	<a href="#">001560T1BRB056-S</a>	\$450	F2B	39	1.15	6.20	81.5	12.795	115/208-230	3;9;13
		1800	56H	<a href="#">001580T1BRB056-S</a>	\$570	F2B	50	1.15	6.80	83.8	13.583	115/208-230	3;9;13
2	1.5	1800	56H	<a href="#">002180T1BRB056H-S</a>	\$616	F2B	57	1.15	9.30	84.5	14.373	115/208-230	3;9;13

Please refer to back cover for description of "NOTES"

For detailed specifications, data sheets, drawings and performance curves visit <http://www.weg.net>

Data subject to change without notice.

Can't find what you are looking for? Call 1-800-ASK-4WEG (275-4934)

**A-163**

# Fractional Motors



SINGLE -PHASE



## ODP - C-Face - Foot Mount

HP	kW	RPM	Frame	Catalog Number	List Price	Mult. Symbol	Approx. Shipping Weight (lbs)	Service Factor	FL Amps @ High	FL. Eff (%)	"C" Dimension (in)	Voltage (V)	Notes
0.12	0.09	1800	48CH	<b>.12180S1B48CH-S</b>	<b>\$222</b>	F1B	18	1.40	1.40	50.0	9.098	115/208-230	9
		3600	48CH	<b>.16360S1B48CH-S</b>	<b>\$237</b>	F1B	21	1.35	1.40	53.0	9.098	115/208-230	9
0.16	0.12	1800	48CH	<b>.16180S1B48CH-S</b>	<b>\$231</b>	F1B	22	1.35	1.70	53.0	9.098	115/208-230	9
		3600	48CH	<b>.25360T1B48CH-S</b>	<b>\$277</b>	F2B	19	1.35	1.30	66.6	9.492	115/208-230	9
0.25	0.18	3600	W56C	<b>.25360T1BW56C-S</b>	<b>\$281</b>	F2B	19	1.35	1.30	66.6	9.866	115/208-230	9
		1800	48CH	<b>.25180T1B48CH-S</b>	<b>\$269</b>	F2B	18	1.35	1.60	68.5	9.492	115/208-230	9
		1800	W56C	<b>.25180T1BW56C-S</b>	<b>\$269</b>	F2B	19	1.35	1.60	68.5	9.866	115/208-230	9
		3600	48CH	<b>.33360T1B48CH-S</b>	<b>\$282</b>	F2B	23	1.35	1.60	70.5	9.886	115/208-230	9
0.33	0.25	3600	W56C	<b>.33360T1BW56C-S</b>	<b>\$285</b>	F2B	23	1.35	1.60	70.5	10.260	115/208-230	9
		1800	48CH	<b>.33180T1B48CH-S</b>	<b>\$299</b>	F2B	20	1.35	2.10	72.4	9.886	115/208-230	9
		1800	W56C	<b>.33180T1BW56C-S</b>	<b>\$303</b>	F2B	21	1.35	2.10	72.4	10.260	115/208-230	9
		3600	48CH	<b>.50360T1B48CH-S</b>	<b>\$300</b>	F2B	23	1.25	2.40	72.4	9.886	115/208-230	9
0.5	0.37	3600	W56C	<b>.50360T1BW56C-S</b>	<b>\$310</b>	F2B	24	1.25	2.40	72.4	10.260	115/208-230	9
		1800	W56C	<b>.50180T1B0W56C-S</b>	<b>\$352</b>	F2B	24	1.25	2.80	76.2	10.654	115/208-230	3;9
		1800	W56C	<b>.50180T1BW56C-S</b>	<b>\$335</b>	F2B	24	1.25	2.80	76.2	10.654	115/208-230	9
		3600	56C	<b>.75360T1B56C-S</b>	<b>\$348</b>	F2B	30	1.25	3.40	76.2	11.890	115/208-230	9
0.75	0.55	1800	56C	<b>.75180T1B56C-S</b>	<b>\$415</b>	F2B	38	1.25	3.40	81.8	11.890	115/208-230	9
		3600	56C	<b>001360T1B56C-S</b>	<b>\$375</b>	F2B	35	1.25	4.30	80.4	11.890	115/208-230	9
1	0.75	1800	56C	<b>001180T1B56C-S</b>	<b>\$449</b>	F2B	41	1.15	4.50	82.6	12.677	115/208-230	9
		3600	56C	<b>001560T1B56C-S</b>	<b>\$421</b>	F2B	38	1.15	6.20	81.5	12.284	115/208-230	9
1.5	1.1	1800	56HC	<b>001580T1B56C-S</b>	<b>\$551</b>	F2B	49	1.15	6.80	83.8	13.071	115/208-230	9
		3600	56HC	<b>002360T1B56C-S</b>	<b>\$513</b>	F2B	43	1.15	8.40	82.9	12.677	115/208-230	9
2	1.5	1800	56HC	<b>002180T1B56C-S</b>	<b>\$654</b>	F2B	54	1.15	9.30	84.5	13.465	115/208-230	9
		3600	56HC	<b>003360T1B56C-S</b>	<b>\$596</b>	F2B	52	1.15	12.2	84.1	13.465	115/208-230	9

Fractional Motors

Please refer to back cover for description of "NOTES"

For detailed specifications, data sheets, drawings and performance curves visit [http:// www.weg.net](http://www.weg.net)



### ODP - C-Face - Footless

HP	kW	RPM	Frame	Catalog Number	List Price	Mult. Symbol	Approx. Shipping Weight (lbs)	Service Factor	FL Amps @ High	FL. Eff (%)	"C" Dimension (in)	Voltage (V)	Notes
0.25	0.18	1800	W56C	<a href="#">.25180T1BW56CFL-S</a>	\$269	F2B	18	1.35	1.60	68.5	9.866	115/208-230	9;20;51
0.33	0.25	3600	W56C	<a href="#">.33360T1BW56CFL-S</a>	\$285	F2B	23	1.35	1.60	70.5	10.260	115/208-230	9;20
		3600	W56C	<a href="#">.33360T1BOW56CFL-S</a>	\$302	F2B	23	1.35	1.60	70.5	10.260	115/208-230	3;9;20
		1800	W56C	<a href="#">.33180T1BW56CFL-S</a>	\$303	F2B	20	1.35	2.10	72.4	10.260	115/208-230	9;20
0.5	0.37	3600	W56C	<a href="#">.50360T1BOW56CFL-S</a>	\$327	F2B	23	1.25	2.40	72.4	10.260	115/208-230	3;9;20
		3600	W56C	<a href="#">.50360T1BW56CFL-S</a>	\$310	F2B	23	1.25	2.40	72.4	10.260	115/208-230	9;20
		1800	W56C	<a href="#">.50180T1BW56CFL-S</a>	\$335	F2B	23	1.25	2.80	76.2	10.654	115/208-230	9;20
0.75	0.55	3600	56C	<a href="#">.75360T1B056CFL-S</a>	\$365	F2B	29	1.25	3.40	76.2	11.890	115/208-230	3;9;20
		3600	56C	<a href="#">.75360T1B56CFL-S</a>	\$348	F2B	29	1.25	3.40	76.2	11.890	115/208-230	9;20
		1800	56C	<a href="#">.75180T1B56CFL-S</a>	\$415	F2B	38	1.25	3.40	81.8	11.890	115/208-230	9;20
1	0.75	3600	56C	<a href="#">001360T1B56CFL-S</a>	\$375	F2B	35	1.25	4.30	80.4	11.890	115/208-230	9;20
		3600	56C	<a href="#">001360T1B056CFL-S</a>	\$392	F2B	35	1.25	4.30	80.4	11.890	115/208-230	3;9;20
		1800	56C	<a href="#">001180T1B56CFL-S</a>	\$449	F2B	41	1.15	4.50	82.6	12.677	115/208-230	9;20
1.5	1.1	3600	56C	<a href="#">001560T1B56CFL-S</a>	\$421	F2B	38	1.15	6.20	81.5	12.284	115/208-230	9;20
		3600	56C	<a href="#">001560T1B056CFL-S</a>	\$438	F2B	38	1.15	6.20	81.5	12.284	115/208-230	3;9;20;51
		1800	56C	<a href="#">001580T1B56CFL-S</a>	\$551	F2B	48	1.15	6.80	83.8	13.071	115/208-230	9;20
2	1.5	3600	56C	<a href="#">002360T1B56CFL-S</a>	\$513	F2B	43	1.15	8.40	82.9	12.677	115/208-230	9;20
		3600	56C	<a href="#">002360T1B056CFL-S</a>	\$530	F2B	43	1.15	8.40	82.9	12.677	115/208-230	3;9;20;51
		1800	56C	<a href="#">002180T1B56CFL-S</a>	\$654	F2B	54	1.15	9.30	84.5	13.465	115/208-230	9;20
3	2.2	3600	56C	<a href="#">003360T1B056CFL-S</a>	\$613	F2B	51	1.15	12.2	84.1	13.465	115/208-230	3;9;20
		3600	56C	<a href="#">003360T1B56CFL-S</a>	\$596	F2B	51	1.15	12.2	84.1	13.465	115/208-230	9;20



### ODP - Foot Mount - Thermally Protected

HP	kW	RPM	Frame	Catalog Number	List Price	Mult. Symbol	Approx. Shipping Weight (lbs)	Service Factor	FL Amps @ High	FL. Eff (%)	"C" Dimension (in)	Voltage (V)	Notes
0.5	0.37	3600	W56	<a href="#">.50360S1BCDW56-S</a>	\$224	C1S	28	1.00	3.10	63.0	9.866	115/208-230	1;4;6;9
0.75	0.55	3600	W56	<a href="#">.75360S1BCDW56-S</a>	\$237	C1S	22	1.00	4.30	68.5	10.260	115/208-230	1;4;6;9
1	0.75	3600	56	<a href="#">001360S1BCD56-S</a>	\$278	C1S	36	1.00	6.60	67.0	11.102	115/208-230	1;4;6;9
		1800	56	<a href="#">001180T1B056-S</a>	\$438	F2B	41	1.15	4.50	82.6	12.677	115/208-230	3;9
1.5	1.1	3600	56	<a href="#">001560S1BCD56-S</a>	\$311	C1S	40	1.00	8.70	68.0	11.496	115/208-230	1;4;6;9
		1800	56H	<a href="#">001580T1B056-S</a>	\$541	F2B	50	1.15	6.80	83.8	13.465	115/208-230	3;9
2	1.5	3600	56H	<a href="#">002360S1BCD56-S</a>	\$372	C1S	34	1.00	8.90	70.0	11.890	115/208-230	1;4;6;9
3	2.2	3600	56H	<a href="#">003360S1CCD56-S</a>	\$432	C1S	41	1.00	12.7	80.0	12.677	208-230	1;4;6;9
5	3.7	3600	56H	<a href="#">005360S1DCD56H-S</a>	\$458	C1S	53	1.00	20.3	80.0	13.465	230	1;4;6;9
		3600	56HZ	<a href="#">005360S1DCD56HZ-S</a>	\$481	C1S	53	1.00	20.3	80.0	13.533	230	1;4;5;6;9

Please refer to back cover for description of "NOTES"

For detailed specifications, data sheets, drawings and performance curves visit <http://www.weg.net>

Data subject to change without notice.

Can't find what you are looking for? Call 1-800-ASK-4WEG (275-4934)

# Fractional Motors

THREE -PHASE



## TEFC - Foot Mount

HP	kW	RPM	Frame	Catalog Number	List Price	Mult. Symbol	Approx. Shipping Weight (lbs)	Service Factor	FL Amps @ High	FL. Eff (%)	"C" Dimension (in)	Voltage (V)	Notes
0.25	0.18	3600	56	.2536ES3E56-S	\$237	F1	21	1.15	0.50	57.5	11.142	208-230/460	9
		1800	56	.2518ES3E56-S	\$249	F1	23	1.15	0.50	70.0	11.142	208-230/460	9
0.33	0.25	3600	56	.3336ES3E56-S	\$249	F1	22	1.15	0.60	62.0	11.142	208-230/460	9
		1800	56	.3318ES3E56-S	\$253	F1	24	1.15	0.60	74.0	11.535	208-230/460	9
0.5	0.37	3600	56	.5036ES3E56-S	\$258	F1	24	1.15	0.80	68.0	11.535	208-230/460	9
		1800	56	.5018ES3E56-S	\$287	F1	26	1.15	0.90	77.0	11.535	208-230/460	9
		1800	56	.5018ES3H56-S	\$288	F1	26	1.15	0.70	77.0	11.535	575	9
		1200	56	.5012ES3E56-S	\$417	F1	31	1.15	1.00	72.0	12.323	208-230/460	9
0.75	0.55	3600	56	.7536ES3E56-S	\$287	F1	25	1.15	1.10	72.0	11.535	208-230/460	9
		3600	56	.7536ES3H56-S	\$288	F1	25	1.15	0.90	72.0	11.535	575	9
		1800	56	.7518ES3E56-S	\$311	F1	28	1.15	1.20	78.5	11.929	208-230/460	9
		1200	56H	.7512ES3E56-S	\$427	F1	34	1.15	1.30	75.5	12.716	208-230/460	9
1	0.75	3600	W56	00136ET3EW56-S	\$392	F1	25	1.15	1.50	78.5	11.106	230/460	9
		3600	W56	00136ET3HW56-S	\$392	F1	25	1.15	1.20	78.5	11.106	575	9
		1800	56	00118ET3E56-S	\$379	F1	41	1.15	1.50	85.5	13.504	230/460	9
		1800	56	00118ET3H56-S	\$379	F1	41	1.15	1.20	85.5	13.504	575	9
		1200	56H	00112ET3E56-S	\$497	F1	42	1.15	1.60	82.5	13.504	230/460	9
1.5	1.1	3600	56	00156ET3E56-S	\$433	F1	37	1.15	1.90	84.0	13.109	230/460	9
		1800	56H	00158ET3E56-S	\$435	F1	44	1.15	2.00	86.5	13.504	230/460	9
2	1.5	3600	56H	00236ET3E56-S	\$489	F1	44	1.15	2.50	85.5	13.898	230/460	9
		1800	56H	00218ET3E56-S	\$478	F1	46	1.15	2.70	86.5	13.898	230/460	9
3	2.2	3600	56H	00336ET3E56-S	\$578	F1	54	1.15	3.50	86.5	15.079	230/460	9

Fractional Motors

Please refer to back cover for description of "NOTES"

For detailed specifications, data sheets, drawings and performance curves visit [http:// www.weg.net](http://www.weg.net)



# Fractional Motors

## THREE -PHASE

### TEFC - C-Face - Foot Mount

HP	kW	RPM	Frame	Catalog Number	List Price	Mult. Symbol	Approx. Shipping Weight (lbs)	Service Factor	FL Amps @ High	FL. Eff (%)	"C" Dimension (in)	Voltage (V)	Notes
0.25	0.18	3600	56C	<a href="#">.2536ES3E56C-S</a>	\$258	F1	21	1.15	0.50	57.5	11.142	208-230/460	9
		1800	56C	<a href="#">.2518ES3E56C-S</a>	\$270	F1	23	1.15	0.50	70.0	11.142	208-230/460	9
		1800	56C	<a href="#">.2518ES3H56C-S</a>	\$270	F1	23	1.15	0.40	70.0	11.142	575	9
0.33	0.25	3600	56C	<a href="#">.3336ES3E56C-S</a>	\$270	F1	22	1.15	0.60	62.0	11.142	208-230/460	9
		3600	56C	<a href="#">.3336ES3H56C-S</a>	\$270	F1	22	1.15	0.50	62.0	11.142	575	9
		1800	56C	<a href="#">.3318ES3E56C-S</a>	\$274	F1	24	1.15	0.60	74.0	11.535	208-230/460	9
0.5	0.37	3600	56C	<a href="#">.5036ES3E56C-S</a>	\$282	F1	24	1.15	0.80	68.0	11.535	208-230/460	9
		3600	56C	<a href="#">.5036ES3H56C-S</a>	\$281	F1	24	1.15	0.70	68.0	11.535	575	9
		1800	56C	<a href="#">.5018ES3E56C-S</a>	\$311	F1	26	1.15	0.90	77.0	11.535	208-230/460	9
		1800	56C	<a href="#">.5018ES3H56C-S</a>	\$263	F1	26	1.15	0.70	77.0	11.535	575	9
		1200	56C	<a href="#">.5012ES3E56C-S</a>	\$440	F1	31	1.15	1.00	72.0	12.323	208-230/460	9
0.75	0.55	3600	56C	<a href="#">.7536ES3E56C-S</a>	\$311	F1	25	1.15	1.10	72.0	11.535	208-230/460	9
		3600	56C	<a href="#">.7536ES3H56C-S</a>	\$310	F1	25	1.15	0.90	72.0	11.535	575	9
		1800	56C	<a href="#">.7518ES3E56C-S</a>	\$332	F1	28	1.15	1.20	78.5	11.929	208-230/460	9
		1800	56C	<a href="#">.7518ES3H56C-S</a>	\$333	F1	28	1.15	1.00	78.5	11.929	575	9
		1200	56HC	<a href="#">.7512ES3E56C-S</a>	\$449	F1	34	1.15	1.30	75.5	12.716	208-230/460	9
1	0.75	3600	W56C	<a href="#">00136ET3EW56C-S</a>	\$420	F1	25	1.15	1.50	78.5	11.106	230/460	9
		3600	W56C	<a href="#">00136ET3HW56C-S</a>	\$420	F1	25	1.15	1.20	78.5	11.106	575	9
		1800	56C	<a href="#">00118ET3E56C-S</a>	\$407	F1	41	1.15	1.50	85.5	13.504	230/460	9
		1800	56C	<a href="#">00118ET3H56C-S</a>	\$407	F1	41	1.15	1.20	85.5	13.504	575	9
		1200	56HC	<a href="#">00112ET3E56C-S</a>	\$525	F1	42	1.15	1.60	82.5	13.504	230/460	9
1.5	1.1	3600	56C	<a href="#">00156ET3E56C-S</a>	\$461	F1	37	1.15	1.90	84.0	13.109	230/460	9
		3600	56C	<a href="#">00156ET3H56C-S</a>	\$461	F1	37	1.15	1.50	84.0	13.109	575	9
		1800	56HC	<a href="#">00158ET3E56C-S</a>	\$463	F1	44	1.15	2.00	86.5	13.504	230/460	9
		1800	56HC	<a href="#">00158ET3H56C-S</a>	\$463	F1	44	1.15	1.60	86.5	13.504	575	9
2	1.5	3600	56HC	<a href="#">00236ET3E56C-S</a>	\$517	F1	44	1.15	2.50	85.5	13.898	230/460	9
		3600	56HC	<a href="#">00236ET3H56C-S</a>	\$517	F1	44	1.15	2.00	85.5	13.898	575	9
		1800	56HC	<a href="#">00218ET3E56C-S</a>	\$506	F1	46	1.15	2.70	86.5	13.898	230/460	9
3	2.2	3600	56HC	<a href="#">00336ET3E56C-S</a>	\$606	F1	54	1.15	3.50	86.5	15.079	230/460	9
		3600	56HC	<a href="#">00336ET3H56C-S</a>	\$606	F1	54	1.15	2.80	86.5	15.079	575	9

Fractional Motors

Please refer to back cover for description of "NOTES"

For detailed specifications, data sheets, drawings and performance curves visit [http:// www.weg.net](http://www.weg.net)

Data subject to change without notice.

Can't find what you are looking for? Call 1-800-ASK-4WEG (275-4934)

A-167

# Fractional Motors

THREE -PHASE



## TEFC - C-Face - Footless

HP	kW	RPM	Frame	Catalog Number	List Price	Mult. Symbol	Approx. Shipping Weight (lbs)	Service Factor	FL Amps @ High	FL. Eff (%)	"C" Dimension (in)	Voltage (V)	Notes
0.33	0.25	3600	56C	.3336ES3E56CFL-S	\$270	F1	22	1.15	0.60	62.0	11.142	208-230/460	9;20
		3600	56C	.3336ES3H56CFL-S	\$270	F1	22	1.15	0.50	62.0	11.142	575	9;20
		1800	56C	.3318ES3E56CFL-S	\$274	F1	24	1.15	0.60	74.0	11.535	208-230/460	9;20
0.5	0.37	3600	56C	.5036ES3E56CFL-S	\$282	F1	24	1.15	0.80	68.0	11.535	208-230/460	9;20
		1800	56C	.5018ES3E56CFL-S	\$311	F1	26	1.15	0.90	77.0	11.535	208-230/460	9;20
		1800	56C	.5018ES3H56CFL-S	\$312	F1	26	1.15	0.70	77.0	11.535	575	9;20
		1200	56C	.5012ES3E56CFL-S	\$440	F1	31	1.15	1.00	72.0	12.323	208-230/460	9;20
		1200	56C	.5012ES3H56CFL-S	\$441	F1	31	1.15	0.80	72.0	12.323	575	9;20
0.75	0.55	3600	56C	.7536ES3E56CFL-S	\$311	F1	25	1.15	1.10	72.0	11.535	208-230/460	9;20
		3600	56C	.7536ES3H56CFL-S	\$312	F1	25	1.15	0.90	72.0	11.535	575	9;20
		1800	56C	.7518ES3E56CFL-S	\$332	F1	28	1.15	1.20	78.5	11.929	208-230/460	9;20
		1800	56C	.7518ES3H56CFL-S	\$333	F1	28	1.15	1.00	78.5	11.929	575	9;20
		1200	56C	.7512ES3E56CFL-S	\$449	F1	34	1.15	1.30	75.5	12.716	208-230/460	9;20
		1200	56C	.7512ES3H56CFL-S	\$450	F1	34	1.15	1.10	75.5	12.716	575	9;20
1	0.75	3600	W56C	00136ET3EW56CFL-S	\$420	F1	25	1.15	1.50	78.5	11.106	230/460	9;20
		1800	56C	00118ET3E56CFL-S	\$407	F1	41	1.15	1.50	85.5	13.504	230/460	9;20
		1800	56C	00118ET3H56CFL-S	\$407	F1	41	1.15	1.20	85.5	13.504	575	9;20
		1200	56C	00112ET3E56CFL-S	\$528	F1	42	1.15	1.60	82.5	13.504	230/460	9;20
		1200	56C	00112ET3H56CFL-S	\$528	F1	42	1.15	1.30	82.5	13.504	575	9;20
1.5	1.1	3600	56C	00156ET3E56CFL-S	\$461	F1	37	1.15	1.90	84.0	13.109	230/460	9;20
		1800	56C	00158ET3E56CFL-S	\$463	F1	44	1.15	2.00	86.5	13.504	230/460	9;20
2	1.5	3600	56C	00236ET3E56CFL-S	\$517	F1	44	1.15	2.50	85.5	13.898	230/460	9;20
		1800	56C	00218ET3E56CFL-S	\$506	F1	46	1.15	2.70	86.5	13.898	230/460	9;20
3	2.2	3600	56C	00336ET3E56CFL-S	\$606	F1	54	1.15	3.50	86.5	15.079	230/460	9;20
		3600	56C	00336ET3H56CFL-S	\$606	F1	54	1.15	2.80	86.5	15.079	575	9;20

Fractional Motors

Please refer to back cover for description of "NOTES"

For detailed specifications, data sheets, drawings and performance curves visit <http://www.weg.net>





### ODP - Foot Mount

HP	kW	RPM	Frame	Catalog Number	List Price	Mult. Symbol	Approx. Shipping Weight (lbs)	Service Factor	FL Amps @ High	FL. Eff (%)	"C" Dimension (in)	Voltage (V)	Notes
0.25	0.18	3600	56	<a href="#">.25360T3E56-S</a>	<b>\$231</b>	F2B	19	1.35	0.46	65.6	10.315	230/460	9
		1800	48	<a href="#">.25180T3E48-S</a>	<b>\$235</b>	F2B	18	1.35	0.48	70.0	9.492	230/460	9
		1800	56	<a href="#">.25180T3E56-S</a>	<b>\$235</b>	F2B	19	1.35	0.53	69.5	9.921	230/460	9
		1200	56	<a href="#">.25120T3E56-S</a>	<b>\$288</b>	F2B	21	1.35	0.55	67.5	10.315	230/460	9
0.33	0.25	3600	56	<a href="#">.33360T3E56-S</a>	<b>\$242</b>	F2B	19	1.35	0.61	69.5	10.315	230/460	9
		1800	56	<a href="#">.33180T3E56-S</a>	<b>\$256</b>	F2B	20	1.35	0.67	73.4	10.315	230/460	9
		1800	56	<a href="#">.33180T3H56-S</a>	<b>\$269</b>	F2B	20	1.35	0.54	73.4	10.315	575	9
		1200	56	<a href="#">.33120T3E56-S</a>	<b>\$333</b>	F2B	22	1.35	0.70	71.4	10.315	230/460	9
0.5	0.37	3600	56	<a href="#">.50360T3E56-S</a>	<b>\$258</b>	F2B	20	1.25	0.81	73.4	10.315	230/460	9
		1800	56	<a href="#">.50180T3E56-S</a>	<b>\$296</b>	F2B	24	1.25	0.86	78.2	10.709	230/460	9
		1800	56	<a href="#">.50180T3H56-S</a>	<b>\$311</b>	F2B	24	1.25	0.69	78.2	10.709	575	9
		1200	56	<a href="#">.50120T3E56-S</a>	<b>\$349</b>	F2B	25	1.25	0.93	75.3	10.709	230/460	9
0.75	0.55	3600	56	<a href="#">.75360T3E56-S</a>	<b>\$305</b>	F2B	22	1.25	1.14	76.8	10.709	230/460	9
		1800	56	<a href="#">.75180T3E56-S</a>	<b>\$330</b>	F2B	27	1.25	1.15	81.1	11.102	230/460	9
		1800	56	<a href="#">.75180T3H56-S</a>	<b>\$347</b>	F2B	27	1.25	0.92	81.1	11.102	575	9
		1200	56H	<a href="#">.75120T3E56-S</a>	<b>\$384</b>	F2B	38	1.15	1.26	81.7	12.677	230/460	9
1	0.75	3600	56	<a href="#">001360T3E56-S</a>	<b>\$355</b>	F2B	23	1.25	1.51	77.0	10.709	230/460	9
		1800	56	<a href="#">001180T3E56-S</a>	<b>\$350</b>	F2B	30	1.15	1.57	83.5	11.495	230/460	9
		1200	56H	<a href="#">001120T3E56-S</a>	<b>\$458</b>	F2B	42	1.15	1.68	82.5	13.070	230/460	9
1.5	1.1	3600	56	<a href="#">001560T3E56-S</a>	<b>\$380</b>	F2B	30	1.15	1.85	84.0	11.889	230/460	9
		1800	56H	<a href="#">001580T3E56-S</a>	<b>\$361</b>	F2B	40	1.15	2.10	86.5	12.677	230/460	9
2	1.5	3600	56H	<a href="#">002360T3E56-S</a>	<b>\$436</b>	F2B	38	1.15	2.42	85.5	12.677	230/460	9
		1800	56H	<a href="#">002180T3E56-S</a>	<b>\$371</b>	F2B	40	1.15	2.69	86.5	12.677	230/460	9
3	2.2	3600	56H	<a href="#">003360T3E56-S</a>	<b>\$485</b>	F2B	42	1.15	3.59	85.5	13.070	230/460	9
		1800	56HZ	<a href="#">003180T3E56Z-S</a>	<b>\$481</b>	F2B	48	1.15	3.97	86.9	13.071	230/460	9

Please refer to back cover for description of "NOTES"

For detailed specifications, data sheets, drawings and performance curves visit [http:// www.weg.net](http://www.weg.net)

Data subject to change without notice.

Can't find what you are looking for? Call 1-800-ASK-4WEG (275-4934)

# Fractional Motors

THREE -PHASE



## ODP - C-Face - Foot Mount

HP	kW	RPM	Frame	Catalog Number	List Price	Mult. Symbol	Approx. Shipping Weight (lbs)	Service Factor	FL Amps @ High	FL. Eff (%)	"C" Dimension (in)	Voltage (V)	Notes
0.25	0.18	3600	56C	<a href="#">.25360T3E56C-S</a>	\$259	F2B	19	1.35	0.46	65.6	10.315	230/460	9
		1800	56C	<a href="#">.25180T3E56C-S</a>	\$263	F2B	19	1.35	0.53	69.5	9.921	230/460	9
		1200	56C	<a href="#">.25120T3E56C-S</a>	\$316	F2B	21	1.35	0.55	67.5	10.315	230/460	9;51
0.33	0.25	3600	56C	<a href="#">.33360T3E56C-S</a>	\$270	F2B	19	1.35	0.61	69.5	10.315	230/460	9
		1800	56C	<a href="#">.33180T3E56C-S</a>	\$284	F2B	20	1.35	0.67	73.4	10.315	230/460	9
		1200	56C	<a href="#">.33120T3E56C-S</a>	\$361	F2B	22	1.35	0.70	71.4	10.315	230/460	9
0.5	0.37	3600	56C	<a href="#">.50360T3E56C-S</a>	\$286	F2B	20	1.25	0.81	73.4	10.315	230/460	9
		1800	56C	<a href="#">.50180T3E56C-S</a>	\$324	F2B	24	1.25	0.86	78.2	10.709	230/460	9
		1200	56C	<a href="#">.50120T3E56C-S</a>	\$377	F2B	25	1.25	0.93	75.3	10.709	230/460	9
0.75	0.55	3600	56C	<a href="#">.75360T3E56C-S</a>	\$333	F2B	22	1.25	1.14	76.8	10.709	230/460	9
		1800	56C	<a href="#">.75180T3E56C-S</a>	\$358	F2B	27	1.25	1.15	81.1	11.102	230/460	9
		1800	56C	<a href="#">.75180T3H56C-S</a>	\$358	F2B	27	1.25	0.92	81.1	11.102	575	9
		1200	56HC	<a href="#">.75120T3E56C-S</a>	\$412	F2B	38	1.15	1.26	81.7	12.677	230/460	9
1	0.75	3600	56C	<a href="#">001360T3E56C-S</a>	\$383	F2B	23	1.25	1.51	77.0	10.709	230/460	9
		1800	56C	<a href="#">001180T3E56C-S</a>	\$378	F2B	30	1.15	1.57	83.5	11.495	230/460	9
		1200	56HC	<a href="#">001120T3E56C-S</a>	\$486	F2B	42	1.15	1.68	82.5	13.070	230/460	9
1.5	1.1	3600	56C	<a href="#">001560T3E56C-S</a>	\$408	F2B	30	1.15	1.85	84.0	11.889	230/460	9
		1800	56HC	<a href="#">001580T3E56C-S</a>	\$389	F2B	40	1.15	2.10	86.5	12.677	230/460	9
2	1.5	3600	56HC	<a href="#">002360T3E56C-S</a>	\$464	F2B	38	1.15	2.42	85.5	12.677	230/460	9
		1800	56HC	<a href="#">002180T3E56C-S</a>	\$399	F2B	40	1.15	2.69	86.5	12.677	230/460	9
3	2.2	3600	56HC	<a href="#">003360T3E56C-S</a>	\$513	F2B	42	1.15	3.59	85.5	13.070	230/460	9

Fractional Motors

Please refer to back cover for description of "NOTES"

For detailed specifications, data sheets, drawings and performance curves visit <http://www.weg.net>



### ODP - C-Face - Footless

HP	kW	RPM	Frame	Catalog Number	List Price	Mult. Symbol	Approx. Shipping Weight (lbs)	Service Factor	FL Amps @ High	FL. Eff (%)	"C" Dimension (in)	Voltage (V)	Notes
0.25	0.18	1800	56C	<a href="#">.25180T3E56CFL-S</a>	\$263	F2B	19	1.35	0.53	66.0	9.921	230/460	9;20
		1800	56C	<a href="#">.25180T3H56CFL-S</a>	\$263	F2B	19	1.35	0.42	69.5	9.921	575	9;20
0.33	0.25	3600	56C	<a href="#">.33360T3E56CFL-S</a>	\$270	F2B	19	1.35	0.61	69.5	10.315	230/460	9;20
		1800	56C	<a href="#">.33180T3E56CFL-S</a>	\$284	F2B	20	1.35	0.67	73.4	10.315	230/460	9;20
		1800	56C	<a href="#">.33180T3H56CFL-S</a>	\$284	F2B	20	1.35	0.54	73.4	10.315	575	9;20
0.5	0.37	3600	56C	<a href="#">.50360T3E56CFL-S</a>	\$286	F2B	20	1.25	0.81	73.4	10.315	230/460	9;20
		1800	56C	<a href="#">.50180T3E56CFL-S</a>	\$324	F2B	24	1.25	0.86	78.2	10.709	230/460	9;20
		1800	56C	<a href="#">.50180T3H56CFL-S</a>	\$324	F2B	24	1.25	0.69	78.2	10.709	575	9;20
0.75	0.55	3600	56C	<a href="#">.75360T3E56CFL-S</a>	\$333	F2B	22	1.25	1.14	76.8	10.709	230/460	9;20
		1800	56C	<a href="#">.75180T3E56CFL-S</a>	\$358	F2B	27	1.25	1.15	81.1	11.102	230/460	9;20
		1800	56C	<a href="#">.75180T3H56CFL-S</a>	\$358	F2B	27	1.25	0.92	81.1	11.102	575	9;20
1	0.75	3600	56C	<a href="#">001360T3E56CFL-S</a>	\$383	F2B	23	1.25	1.51	77.0	10.709	230/460	9;20
		1800	56C	<a href="#">001180T3E56CFL-S</a>	\$378	F2B	30	1.15	1.57	83.5	11.495	230/460	9;20
		1800	56C	<a href="#">001180T3H56CFL-S</a>	\$378	F2B	30	1.15	1.26	83.5	11.495	575	9;20
1.5	1.1	3600	56C	<a href="#">001560T3E56CFL-S</a>	\$408	F2B	30	1.15	1.85	84.0	11.889	230/460	9;20
		1800	56C	<a href="#">001580T3E56CFL-S</a>	\$389	F2B	40	1.15	2.10	86.5	12.677	230/460	9;20
		1800	56C	<a href="#">001580T3H56CFL-S</a>	\$389	F2B	40	1.15	1.68	86.5	12.677	575	9;20
2	1.5	3600	56C	<a href="#">002360T3E56CFL-S</a>	\$464	F2B	38	1.15	2.42	85.5	12.677	230/460	9;20
		1800	56C	<a href="#">002180T3E56CFL-S</a>	\$399	F2B	40	1.15	2.69	86.5	12.677	230/460	9;20
		1800	56C	<a href="#">002180T3H56CFL-S</a>	\$399	F2B	40	1.15	2.15	86.5	12.677	575	9;20
3	2.2	3600	56C	<a href="#">003360T3E56CFL-S</a>	\$513	F2B	42	1.15	3.59	85.5	13.070	230/460	9;20



### ODP - Three-Phase - Resilient Base

HP	kW	RPM	Frame	Catalog Number	List Price	Mult. Symbol	Approx. Shipping Weight (lbs)	Service Factor	FL Amps @ High	FL. Eff (%)	"C" Dimension (in)	Voltage (V)	Notes
0.33	0.25	1800	56	<a href="#">.33180T3ERB56-S</a>	\$314	F2B	22	1.35	0.67	73.4	10.827	230/460	9;13
0.5	0.37	1800	56	<a href="#">.50180T3ERB56-S</a>	\$354	F2B	25	1.25	0.86	78.2	11.220	230/460	9;13
0.75	0.55	1800	56	<a href="#">.75180T3ERB56-S</a>	\$388	F2B	28	1.25	1.15	81.1	11.614	230/460	9;13
1	0.75	1800	56	<a href="#">001180T3ERB56-S</a>	\$408	F2B	31	1.15	1.57	83.5	12.008	230/460	9;13
1.5	1.1	1800	56H	<a href="#">001580T3ERB56-S</a>	\$419	F2B	42	1.15	2.10	86.5	13.189	230/460	9;13

Please refer to back cover for description of "NOTES"

For detailed specifications, data sheets, drawings and performance curves visit [http:// www.weg.net](http://www.weg.net)

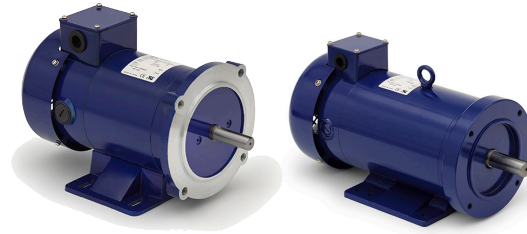
Data subject to change without notice.

Can't find what you are looking for? Call 1-800-ASK-4WEG (275-4934)

## DC MOTORS

### NEMA 56 PMDC Motors

- UL recognized; Also CE and RoHs listed
- Replaceable brushes
- ¼ HP thru ½ HP ratings have a 4.45" frame/tube OD
- ¾ HP and 1.0 HP ratings have a 4.85" frame/tube OD
- Optional Low Voltage (12V or 24V), or TENV Enclosed



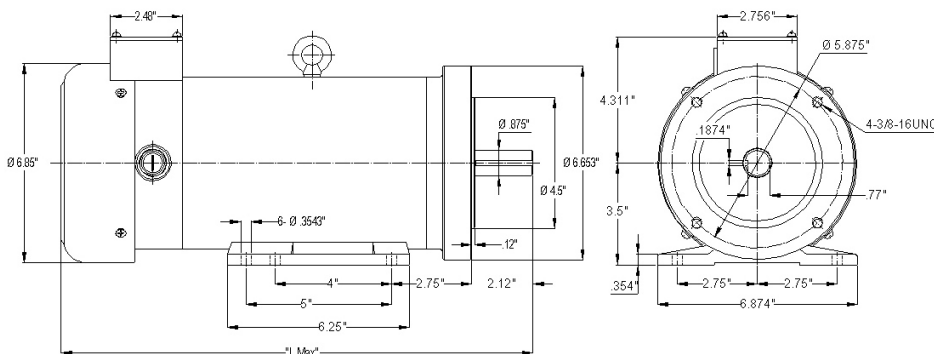
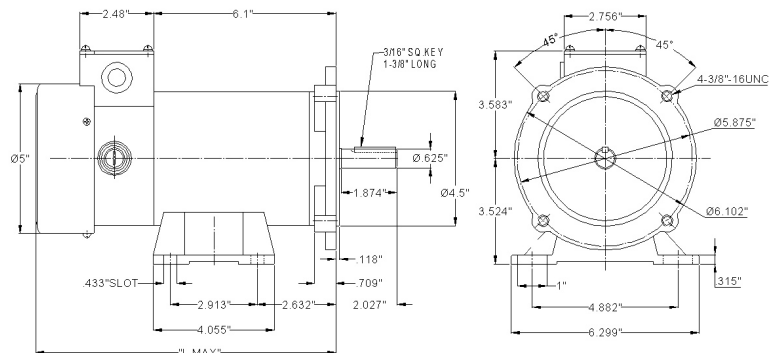
Catalog Number	HP	Voltage	Current	Speed	INSUL	Torque	L Max	List Price	Multiplier
			(Amp)	(RPM)	Class	(In/lbs)	(inches)		
MT-031	0.25	90	2.9	1750	F	9	9.63	\$516	DC1
MT-041	0.25	180	1.39	1750	F	9	9.63	\$516	DC1
MT-033	0.33	90	3.7	1750	F	12	9.63	\$563	DC1
MT-042	0.33	180	1.85	1750	F	12	9.63	\$563	DC1
MT-032	0.5	90	5.3	1750	F	18	10.24	\$644	DC1
MT-043	0.5	180	2.78	1750	F	18	10.24	\$644	DC1
MT-035	0.75	90	7.8	1750	F	27	11.67	\$791	DC1
MT-044	0.75	180	3.9	1750	F	27	11.67	\$791	DC1
MT-034	1	90	10.4	1750	F	36	13.05	\$930	DC1
MT-037	1	180	5.2	1750	F	36	13.05	\$930	DC1

### NEMA 145TC PMDC Motors

- Optional 90V ratings for both 1.5 HP and 2.0 HP ratings

Catalog Number	HP	Voltage	Current	Speed	INSUL	Torque	L Max	List Price	Multiplier
			(Amp)	(RPM)	Class	(In/lbs)	(inches)		
MT-038	1.5	180	8	1750	F	54	15.6	\$1,151	DC1
MT-039	2	180	9.5	1750	F	72	16.5	\$2,093	DC1
MT-040	3	180	14	1750	F	108	18.7	\$2,930	DC1

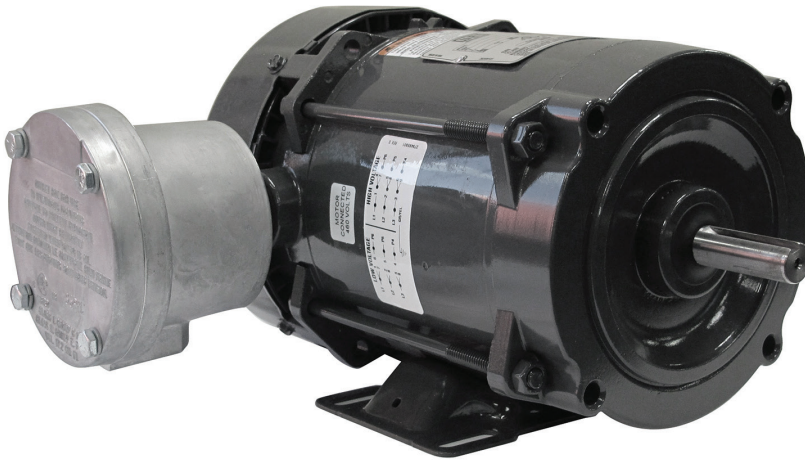
NEMA 56 Dimensions



NEMA 145TC Dimensions

Please refer to back cover for description of "NOTES"  
sets, drawings and performance curves visit <http://www.weg.net>

## Fractional Explosion Proof Motors



### Features:

- Class F insulation
- 1.0 service factor
- Foot mount motors with and without C-flange
- Class I, Division 1 – Group C & D and Class II, Division 1 – Group E, F & G – T3B
- Thermally Protected
- 24" long leads for remote wiring
- Aluminum endshields
- Not rated for VFD

### Features that make a difference:

- 50°C ambient temperature rating
- Three-Phase motors also rated for 50Hz
- Unassembled aluminum conduit box included

Please contact your authorized WEG distributor or go to [weg.net](http://weg.net) for further information or additional specifications. **1-800-ASK-4WEG**



# Fractional Motors



## EXPLOSION PROOF SINGLE PHASE



### Foot Mount

HP	kW	RPM	Frame	Catalog Number	List Price	Mult. Symbol	Approx. Shipping Weight (lbs)	Service Factor	FL Amps @ High	FL. Eff (%)	"C" Dimension (in)	Voltage (V)	Notes
0.33	0.25	3600	56	.3336XS1B56	\$612	XF	23	1.00	2.60	59.7	11.790	115/208-230	1;3;9;42
		1800	56	.3318XS1B56	\$670	XF	25	1.00	3.00	60.4	11.790	115/208-230	1;3;9;42
0.5	0.37	3600	56	.5036XS1B56	\$636	XF	26	1.00	3.40	66.7	12.040	115/208-230	1;3;9;42
		1800	56	.5018XS1B56	\$739	XF	27	1.00	4.20	62.4	12.290	115/208-230	1;3;9;42
0.75	0.55	3600	56	.7536XS1B56	\$717	XF	30	1.00	4.30	74.5	12.540	115/208-230	1;3;9;42
		1800	56	.7518XS1B56	\$868	XF	34	1.00	4.52	70.8	13.040	115/208-230	1;3;9;42
1	0.75	3600	56	00136XS1B56	\$774	XF	32	1.00	5.30	76.5	13.040	115/208-230	1;3;9;42
		1800	56	00118XS1B56	\$988	XF	37	1.00	6.30	74.8	13.790	115/208-230	1;3;9;42
1.5	1.1	3600	56	00156XS1C56	\$1,121	XF	38	1.00	7.80	80.0	14.040	208-230	1;3;9;42
		1800	56H	00158XS1C56H	\$1,324	XF	48	1.00	7.80	80.0	15.420	208-230	1;3;9;42
2	1.5	3600	56H	00236XS1C56H	\$1,408	XF	43	1.00	9.80	81.1	14.540	208-230	1;3;9;42



### C-Face - Foot Mount

HP	kW	RPM	Frame	Catalog Number	List Price	Mult. Symbol	Approx. Shipping Weight (lbs)	Service Factor	FL Amps @ High	FL. Eff (%)	"C" Dimension (in)	Voltage (V)	Notes
0.33	0.25	3600	56C	.3336XS1B56C	\$737	XF	23	1.00	2.60	59.7	11.790	115/208-230	1;3;9;42
		1800	56C	.3318XS1B56C	\$816	XF	25	1.00	3.00	60.4	11.790	115/208-230	1;3;9;42
0.5	0.37	3600	56C	.5036XS1B56C	\$717	XF	26	1.00	3.40	66.7	12.040	115/208-230	1;3;9;42
		1800	56C	.5018XS1B56C	\$817	XF	27	1.00	4.20	62.4	12.290	115/208-230	1;3;9;42
0.75	0.55	3600	56C	.7536XS1B56C	\$773	XF	30	1.00	4.30	74.5	12.540	115/208-230	1;3;9;42
		1800	56C	.7518XS1B56C	\$912	XF	34	1.00	4.52	70.8	13.040	115/208-230	1;3;9;42
1	0.75	3600	56C	00136XS1B56C	\$814	XF	32	1.00	5.30	76.5	13.040	115/208-230	1;3;9;42
		1800	56C	00118XS1B56C	\$1,036	XF	37	1.00	6.30	74.8	13.790	115/208-230	1;3;9;42
1.5	1.1	3600	56C	00156XS1C56C	\$1,274	XF	38	1.00	7.80	80.0	14.040	208-230	1;3;9;42
		1800	56HC	00158XS1C56HC	\$1,420	XF	48	1.00	7.80	80.0	15.420	208-230	1;3;9;42
2	1.5	3600	56HC	00236XS1C56HC	\$1,457	XF	43	1.00	9.80	81.1	14.540	208-230	1;3;9;42

Fractional Motors

Please refer to back cover for description of "NOTES"

For detailed specifications, data sheets, drawings and performance curves visit <http://www.weg.net>





### Foot Mount

HP	kW	RPM	Frame	Catalog Number	List Price	Mult. Symbol	Approx. Shipping Weight (lbs)	Service Factor	FL Amps @ High	FL. Eff (%)	"C" Dimension (in)	Voltage (V)	Notes
0.33	0.25	3600	56	<b>.3336XS3E56</b>	<b>\$650</b>	XF	21	1.00	0.60	69.8	10.520	230/460	1;3;9;42
		1800	56	<b>.3318XS3E56</b>	<b>\$713</b>	XF	23	1.00	0.60	76.7	10.520	230/460	1;3;9;17;42
0.5	0.37	3600	56	<b>.5036XS3E56</b>	<b>\$782</b>	XF	24	1.00	0.90	73.1	11.790	230/460	1;3;9;42
		1800	56	<b>.5018XS3E56</b>	<b>\$741</b>	XF	27	1.00	0.85	79.1	11.920	230/460	1;3;9;42
0.75	0.55	3600	56	<b>.7536XS3E56</b>	<b>\$815</b>	XF	25	1.00	1.20	77.1	11.790	230/460	1;3;9;42
		1800	56	<b>.7518XS3E56</b>	<b>\$817</b>	XF	28	1.00	1.40	78.6	12.290	230/460	1;3;9;42
1	0.75	3600	56	<b>00136XT3E56</b>	<b>\$858</b>	XF	27	1.00	1.60	77.0	11.920	230/460	1;3;9;42
		1800	56	<b>00118XT3E56</b>	<b>\$922</b>	XF	31	1.00	1.60	85.5	13.660	230/460	1;3;9;42
1.5	1.1	3600	56	<b>00156XT3E56</b>	<b>\$1,050</b>	XF	30	1.00	2.10	84.0	12.780	230/460	1;3;9;42
		1800	56H	<b>00158XT3E56H</b>	<b>\$1,003</b>	XF	41	1.00	2.10	86.5	14.540	230/460	1;3;9;42
2	1.5	3600	56H	<b>00236XT3E56H</b>	<b>\$1,171</b>	XF	35	1.00	2.70	85.5	14.040	230/460	1;3;9;42
		1800	56H	<b>00218XT3E56H</b>	<b>\$1,090</b>	XF	48	1.00	2.70	86.5	15.040	230/460	1;3;9;42



### C-Face - Foot Mount

HP	kW	RPM	Frame	Catalog Number	List Price	Mult. Symbol	Approx. Shipping Weight (lbs)	Service Factor	FL Amps @ High	FL. Eff (%)	"C" Dimension (in)	Voltage (V)	Notes
0.33	0.25	3600	56C	<b>.3336XS3E56C</b>	<b>\$821</b>	XF	21	1.00	0.60	69.8	10.520	208-230/460	1;3;9;42
		1800	56C	<b>.3318XS3E56C</b>	<b>\$877</b>	XF	23	1.00	0.60	76.7	10.520	208-230/460	1;3;9;17;42
0.5	0.37	3600	56C	<b>.5036XS3E56C</b>	<b>\$856</b>	XF	24	1.00	0.90	73.1	11.790	208-230/460	1;3;9;42
		1800	56C	<b>.5018XS3E56C</b>	<b>\$926</b>	XF	27	1.00	0.85	79.1	11.920	208-230/460	1;3;9;42
0.75	0.55	3600	56C	<b>.7536XS3E56C</b>	<b>\$884</b>	XF	25	1.00	1.20	77.1	11.790	208-230/460	1;3;9;42
		1800	56C	<b>.7518XS3E56C</b>	<b>\$944</b>	XF	28	1.00	1.40	78.6	12.290	208-230/460	1;3;9;42
1	0.75	3600	56C	<b>00136XT3E56C</b>	<b>\$924</b>	XF	27	1.00	1.60	77.0	11.920	230/460	1;3;9;42
		1800	56C	<b>00118XT3E56C</b>	<b>\$1,007</b>	XF	31	1.00	1.60	82.2	13.660	230/460	1;3;9;42
1.5	1.1	3600	56C	<b>00156XT3E56C</b>	<b>\$1,038</b>	XF	30	1.00	2.10	84.0	12.780	230/460	1;3;9;42
		1800	56HC	<b>00158XT3E56HC</b>	<b>\$1,011</b>	XF	41	1.00	2.10	86.5	14.540	230/460	1;3;9;42
2	1.5	3600	56HC	<b>00236XT3E56HC</b>	<b>\$1,125</b>	XF	35	1.00	2.70	85.5	14.040	230/460	1;3;9;42
		1800	56HC	<b>00218XT3E56HC</b>	<b>\$1,162</b>	XF	48	1.00	2.70	86.5	15.040	230/460	1;3;9;42

Please refer to back cover for description of "NOTES"

For detailed specifications, data sheets, drawings and performance curves visit <http://www.weg.net>

Data subject to change without notice.

Can't find what you are looking for? Call 1-800-ASK-4WEG (275-4934)

## COMMERCIAL HVAC MOTORS

TEFC – Single-Phase – Foot Mount	A-178
TEAO – Single-Phase – Resilient Base	A-178
TEAO – Single-Phase – Foot Mount	A-178
ODP – Single-Phase – Foot Mount	A-179
ODP – Single-Phase – Resilient Base	A-180
ODP – Three-Phase – Resilient Base	A-181
ODP – Single-Phase – Evaporative Cooler	A-181

## HVAC MOTORS - WITH INTERNAL AEGIS® SGR

TEFC – Three-Phase – Foot Mount	A-182
ODP – Three-Phase – Foot Mount	A-186

## COOLING TOWER MOTORS – THREE-PHASE

TEFC – Three-Phase – Foot Mount – NEMA Premium®	A-190
TEAO – Three-Phase – Foot Mount – NEMA Premium®	A-193
TEFC – Three-Phase – Double Speed (1 & 2 Windings) – High Efficiency	A-194

## PAD MOUNT MOTORS – Three-Phase

TEAO – NEMA Premium®	A-199
----------------------	-------

# Air Handling Motors

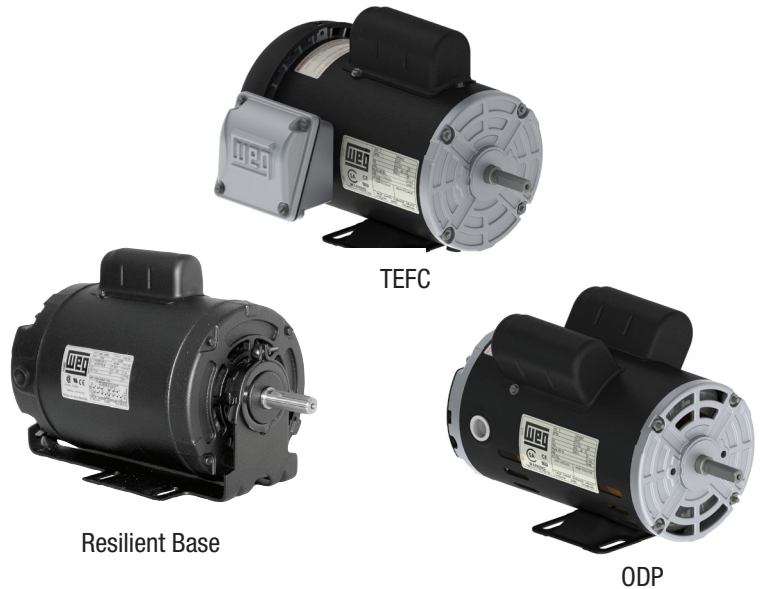
## COMMERCIAL HVAC MOTORS

### TEFC and ODP – Single Phase

High Starting Torque makes these motors ideal for a wide range of applications.

#### Standard Features:

- Ball bearings
- Class F insulation



TEFC

Resilient Base

ODP

#### Features that make a difference:

- High Starting Torque
- TEFC motors are rated IP55 (gasketed conduit box and capacitor cover)



### TEFC and ODP – Three Phase

#### Features that make a difference:

- New ventilation system for improved thermal performance
- Robust feet design suitable for tougher applications
- New and more robust eyebolts design (frames 182/4T and up) plus a second eyebolt on non-drive end allowing vertical lifting capability (frames 213/5T and 254/6T)
- Oversized diagonally split aluminum terminal box that exceeds IP55 requirements
- Terminal box rotatable in 90 degree increments for flexibility during installation
- Color coded leads as standard for easy wiring - (rolled steel only)
- Regreasable ball bearings on 254/6T frame as standard (optional for 182/4T and 213/5T)
- IP55 Ingress Protection as standard, being appropriate for severe environments - (TEFC only)
- Bearing cap as standard on flanged motors, optional on non flanged
- Suitable for VFD operation as per NEMA MG1 part 31.4.4.2
- Motor frame painting system 500 hours salt spray resistant



Please refer to back cover for description of "NOTES"

For detailed specifications, data sheets, drawings and performance curves visit <http://www.weg.net>

Data subject to change without notice.

Can't find what you are looking for? Call 1-800-ASK-4WEG (275-4934)

A-177

# Air Handling Motors



## COMMERCIAL HVAC MOTORS

### TEFC - Single-Phase - Foot Mount



HP	kW	RPM	Frame	Catalog Number	List Price	Mult. Symbol	Approx. Shipping Weight (lbs)	Service Factor	FL Amps @ High	FL. Eff (%)	"C" Dimension (in)	Voltage (V)	Notes
0.25	0.18	3600	W56	.2536ES1BW56-S	\$257	F1	20	1.15	2.10	50.0	10.713	115/208-230	9
		1800	W56	.2518ES1BW56-S	\$267	F1	20	1.15	2.30	57.0	11.106	115/208-230	9
0.33	0.25	3600	W56	.3336ES1BW56-S	\$267	F1	23	1.15	2.60	54.0	11.106	115/208-230	9
		1800	W56	.3318ES1BW56-S	\$283	F1	22	1.15	3.00	61.0	11.500	115/208-230	9
0.5	0.37	3600	W56	.5036ES1BW56-S	\$284	F1	24	1.15	3.50	60.0	11.500	115/208-230	9
		3600	W56	.5036ES1BOLW56-S	\$316	F1	24	1.15	3.50	60.0	11.500	115/208-230	4;9
		1800	W56	.5018ES1BW56-S	\$312	F1	24	1.15	4.00	64.0	11.894	115/208-230	9
		1200	W56	.5012ES1B56-S	\$512	F1	38	1.15	3.20	71.0	13.508	115/208-230	9
0.75	0.55	3600	56	.7536ES1BOL56-S	\$329	F1	31	1.15	4.00	66.0	12.721	115/208-230	4;9
		3600	56	.7536ES1B56-S	\$297	F1	31	1.15	4.00	66.0	12.721	115/208-230	9
		1800	56	.7518ES1B56-S	\$348	F1	33	1.15	5.30	68.5	13.114	115/208-230	9
		1200	56H	.7512ES1B56-S	\$648	F1	44	1.15	4.70	70.0	14.295	115/208-230	9
1	0.75	3600	56	00136ES1BOL56-S	\$408	F1	35	1.15	5.10	70.0	13.114	115/208-230	4;9
		3600	56	00136ES1B56-S	\$376	F1	34	1.15	5.10	70.0	13.114	115/208-230	9
		1800	56	00118ES1B56-S	\$401	F1	39	1.15	6.80	71.0	13.902	115/208-230	9
1.5	1.1	3600	56	00156ES1B56-S	\$432	F1	39	1.15	6.60	75.0	13.902	115/208-230	9
		3600	56	00156ES1BOL56-S	\$463	F1	39	1.15	6.60	75.0	13.902	115/208-230	4;9
		1800	56H	00158ES1B56-S	\$456	F1	40	1.15	7.50	77.0	15.083	115/208-230	9
2	1.5	3600	56H	00236ES1BOL56-S	\$592	F1	44	1.15	8.70	77.0	14.295	115/208-230	4;9
		3600	56H	00236ES1B56-S	\$561	F1	44	1.15	8.70	77.0	14.295	115/208-230	9



### TEAO - Single-Phase - Resilient Base

HP	kW	RPM	Frame	Catalog Number	List Price	Mult. Symbol	Approx. Shipping Weight (lbs)	Service Factor	FL Amps @ High	FL. Eff (%)	"C" Dimension (in)	Voltage (V)	Notes
0.33	0.25	1800	48	.3318ES1BRBPFC48	\$325	G1	27	1.25	3.00	64.0	11.339	115/208-230	3;9;13;16
0.5	0.37	1800	C56	.5018ES1BRBPFC56	\$350	G1	29	1.25	4.20	65.0	11.732	115/208-230	3;9;13;16
0.75	0.55	1800	B56	.7518ES1BRBPFB56	\$433	G1	35	1.25	5.60	70.0	11.811	115/208-230	3;9;13
1	0.75	1800	D56	00118ES1BRBPFD56	\$469	G1	42	1.15	7.00	72.0	12.992	115/208-230	3;9;13



### TEAO - Single-Phase - Foot Mount

HP	kW	RPM	Frame	Catalog Number	List Price	Mult. Symbol	Approx. Shipping Weight (lbs)	Service Factor	FL Amps @ High	FL. Eff (%)	"C" Dimension (in)	Voltage (V)	Notes
0.33	0.25	1800	48	.3318ES1BPFC48	\$311	G1	23	1.25	3.00	64.0	10.748	115/208-230	3;9;16
0.5	0.37	1800	C56	.5018ES1BPFC56	\$336	G1	26	1.25	4.20	65.0	11.102	115/208-230	3;9;16
0.75	0.55	1800	B56	.7518ES1BPFB56	\$414	G1	31	1.25	5.60	70.0	11.102	115/208-230	3;9
1	0.75	1800	D56	00118ES1BPFD56	\$410	G1	41	1.15	7.00	72.0	12.283	115/208-230	3;9

Please refer to back cover for description of "NOTES"

For detailed specifications, data sheets, drawings and performance curves visit <http://www.weg.net>



### ODP - Single-Phase - Foot Mount

HP	kW	RPM	Frame	Catalog Number	List Price	Mult. Symbol	Approx. Shipping Weight (lbs)	Service Factor	FL Amps @ High	FL. Eff (%)	"C" Dimension (in)	Voltage (V)	Notes
0.12	0.09	1800	48	<a href="#">.12180S1B48-S</a>	<b>\$201</b>	F1B	18	1.40	1.40	50.0	9.098	115/208-230	9
		3600	48	<a href="#">.16360S1B48-S</a>	<b>\$216</b>	F1B	21	1.35	1.40	53.0	9.098	115/208-230	9
0.16	0.12	1800	48	<a href="#">.16180S1B48-S</a>	<b>\$208</b>	F1B	22	1.35	1.70	53.0	9.098	115/208-230	9
		3600	48	<a href="#">.25360T1B48-S</a>	<b>\$253</b>	F2B	19	1.35	1.30	66.6	9.492	115/208-230	9
0.25	0.18	3600	W56	<a href="#">.25360T1BW56-S</a>	<b>\$253</b>	F2B	19	1.35	1.30	66.6	9.866	115/208-230	9
		1800	48	<a href="#">.25180T1B48-S</a>	<b>\$241</b>	F2B	18	1.35	1.60	68.5	9.492	115/208-230	9
		1800	W56	<a href="#">.25180T1BW56-S</a>	<b>\$241</b>	F2B	19	1.35	1.60	68.5	9.866	115/208-230	9
		3600	48	<a href="#">.33360T1B48-S</a>	<b>\$256</b>	F2B	23	1.35	1.60	70.5	9.886	115/208-230	9
0.33	0.25	3600	W56	<a href="#">.33360T1BW56-S</a>	<b>\$257</b>	F2B	23	1.35	1.60	70.5	10.260	115/208-230	9
		1800	48	<a href="#">.33180T1B48-S</a>	<b>\$275</b>	F2B	20	1.35	2.10	72.4	9.886	115/208-230	9
		1800	W56	<a href="#">.33180T1BW56-S</a>	<b>\$275</b>	F2B	21	1.35	2.10	72.4	10.260	115/208-230	9
		3600	48	<a href="#">.50360T1B48-S</a>	<b>\$276</b>	F2B	23	1.25	2.40	72.4	9.886	115/208-230	9
0.5	0.37	3600	W56	<a href="#">.50360T1BW56-S</a>	<b>\$282</b>	F2B	24	1.25	2.40	72.4	10.260	115/208-230	9
		1800	48	<a href="#">.50180T1B48-S</a>	<b>\$318</b>	F2B	23	1.25	2.80	76.2	10.280	115/208-230	9
		1800	W56	<a href="#">.50180T1BW56-S</a>	<b>\$307</b>	F2B	23	1.25	2.80	76.2	10.654	115/208-230	9
		3600	56	<a href="#">.75360T1B56-S</a>	<b>\$320</b>	F2B	30	1.25	3.40	76.2	11.890	115/208-230	9
0.75	0.55	1800	56	<a href="#">.75180T1B56-S</a>	<b>\$387</b>	F2B	38	1.25	3.40	81.8	11.890	115/208-230	9
		3600	56	<a href="#">001360T1B56-S</a>	<b>\$347</b>	F2B	35	1.25	4.30	80.4	11.890	115/208-230	9
1	0.75	1800	56	<a href="#">001180T1B56-S</a>	<b>\$421</b>	F2B	41	1.15	4.50	82.6	12.677	115/208-230	9
		1800	56	<a href="#">001180T1B056-S</a>	<b>\$438</b>	F2B	41	1.15	4.50	82.6	12.677	115/208-230	3;9
		3600	56	<a href="#">001560T1B56-S</a>	<b>\$393</b>	F2B	38	1.15	6.20	81.5	12.284	115/208-230	9
1.5	1.1	1800	56H	<a href="#">001580T1B56-S</a>	<b>\$523</b>	F2B	49	1.15	6.80	83.8	13.071	115/208-230	9
		1800	56H	<a href="#">001580T1B056-S</a>	<b>\$541</b>	F2B	50	1.15	6.80	83.8	13.465	115/208-230	3;9
		3600	56H	<a href="#">002360T1B56-S</a>	<b>\$485</b>	F2B	43	1.15	8.40	82.9	12.677	115/208-230	9
2	1.5	1800	56H	<a href="#">002180T1B56-S</a>	<b>\$626</b>	F2B	54	1.15	9.30	84.5	13.465	115/208-230	9
		3600	56H	<a href="#">003360T1B56-S</a>	<b>\$568</b>	F2B	52	1.15	12.2	84.1	13.465	115/208-230	9

Please refer to back cover for description of "NOTES"

For detailed specifications, data sheets, drawings and performance curves visit <http://www.weg.net>

Data subject to change without notice.

Can't find what you are looking for? Call 1-800-ASK-4WEG (275-4934)

# Air Handling Motors

## COMMERCIAL HVAC MOTORS



### ODP - Single-Phase - Resilient Base

HP	kW	RPM	Frame	Catalog Number	List Price	Mult. Symbol	Approx. Shipping Weight (lbs)	Service Factor	FL Amps @ High	FL. Eff (%)	"C" Dimension (in)	Voltage (V)	Notes
0.16	0.12	1800	48Z	.16180S1ASPRB048Z-S	\$272	F1B	21	1.35	3.00	50.5	10.138	115	3;9;13;16
		1800	48Z	.16180S1ASPRB48Z-S	\$260	F1B	21	1.35	3.00	50.5	10.138	115	9;13;16
0.25	0.18	1800	48Z	.25180S1BSPRB048Z-S	\$274	F1B	22	1.35	2.10	55.0	10.138	115/208-230	3;9;13;16
		1800	48Z	.25180S1ASPRB048Z-S	\$274	F1B	22	1.35	4.30	55.0	10.138	115	3;9;13;16
		1800	48Z	.25180S1ASPRB48Z-S	\$262	F1B	22	1.35	4.30	55.0	10.138	115	9;13;16
		1800	W56	.25180S1BRFBW56-S	\$283	F1B	18	1.35	2.30	57.0	10.138	115/208-230	3;9;13;42
		1800	W56	.25180S1BRFBW56-S	\$271	F1B	18	1.35	2.30	57.0	10.138	115/208-230	9;13;42
0.33	0.25	1800	48Z	.33180S1BSPRB048Z-S	\$284	F1B	24	1.35	2.60	60.8	10.138	115/208-230	3;9;13;16
		1800	48Z	.33180S1BSPRB48Z-S	\$272	F1B	24	1.35	2.60	60.8	10.138	115/208-230	9;13;16
		1800	W56	.33180S1BSPRBW56-S	\$288	F1B	25	1.35	2.60	62.0	10.138	115/208-230	3;9;13;16
		1800	W56	.33180S1BSPRBW56-S	\$276	F1B	25	1.35	2.60	62.0	10.138	115/208-230	9;13;16
		1800	W56	.33180S1BRFBW56-S	\$281	F1B	20	1.35	3.10	60.0	10.531	115/208-230	9;13;42
		1800	W56	.33180S1BRFBW56-S	\$293	F1B	20	1.35	3.10	60.0	10.531	115/208-230	3;9;13;42
		1800	W56	.33180T1BRBOW56-S	\$325	F2B	24	1.35	2.10	72.4	10.925	115/208-230	3;9;13
		1800	W56	.33180T1BRBOW56-S	\$325	F2B	24	1.35	2.10	72.4	10.925	115/208-230	3;9;13
0.5	0.37	1800	48Z	.50180S1BSPRB048Z-S	\$311	F1B	29	1.25	3.70	63.5	10.925	115/208-230	3;9;13;16
		1800	48Z	.50180S1BSPRB48Z-S	\$299	F1B	29	1.25	3.70	63.5	10.925	115/208-230	9;13;16
		1800	W56	.50180S1BRFBW56-S	\$325	F1B	21	1.25	4.10	63.0	10.925	115/208-230	3;9;13;42
		1800	W56	.50180S1BRFBW56-S	\$313	F1B	21	1.25	4.10	63.0	10.925	115/208-230	9;13;42
		1800	W56	.50180S1BSPRBW56-S	\$316	F1B	30	1.25	3.70	63.5	10.945	115/208-230	3;9;13;16
		1800	W56	.50180S1BSPRBW56-S	\$304	F1B	30	1.25	3.70	63.5	10.945	115/208-230	9;13;16
		1800	W56	.50180T1BRBOW56-S	\$368	F2B	26	1.25	2.75	76.2	11.319	115/208-230	3;9;13
0.75	0.55	1800	W56	.75180S1BRFBW56-S	\$379	F1B	23	1.25	5.30	69.0	12.008	115/208-230	3;9;13;42
		1800	W56	.75180S1BRFBW56-S	\$367	F1B	23	1.25	5.30	69.0	12.008	115/208-230	9;13;42
		1800	56	.75180T1BRB056-S	\$434	F2B	38	1.25	3.40	81.8	12.402	115/208-230	3;9;13
1	0.75	1800	W56	001180S1BRFBW56-S	\$408	F1B	25	1.15	6.80	71.0	12.402	115/208-230	3;9;13;42
		1800	W56	001180S1BRFBW56-S	\$396	F1B	25	1.15	6.80	71.0	12.402	115/208-230	9;13;42
		1800	56	001180T1BRB056-S	\$468	F2B	43	1.15	4.50	82.6	13.189	115/208-230	3;9;13
1.5	1.1	3600	56	001560T1BRB056-S	\$450	F2B	39	1.15	6.20	81.5	12.795	115/208-230	3;9;13
		1800	56H	001580T1BRB056-S	\$570	F2B	50	1.15	6.80	83.8	13.583	115/208-230	3;9;13
2	1.5	1800	56H	002180T1BRB056H-S	\$616	F2B	57	1.15	9.30	84.5	14.373	115/208-230	3;9;13

Air Handling Motors

Please refer to back cover for description of "NOTES"

For detailed specifications, data sheets, drawings and performance curves visit <http://www.weg.net>





## ODP - Three-Phase - Resilient Base

HP	kW	RPM	Frame	Catalog Number	List Price	Mult. Symbol	Approx. Shipping Weight (lbs)	Service Factor	FL Amps @ High	FL. Eff (%)	"C" Dimension (in)	Voltage (V)	Notes
0.33	0.25	1800	56	<a href="#">.33180T3ERB56-S</a>	\$314	F2B	22	1.35	0.67	73.4	10.827	230/460	9;13
0.5	0.37	1800	56	<a href="#">.50180T3ERB56-S</a>	\$354	F2B	25	1.25	0.86	78.2	11.220	230/460	9;13
0.75	0.55	1800	56	<a href="#">.75180T3ERB56-S</a>	\$388	F2B	28	1.25	1.15	81.1	11.614	230/460	9;13
1	0.75	1800	56	<a href="#">001180T3ERB56-S</a>	\$408	F2B	31	1.15	1.57	83.5	12.008	230/460	9;13
1.5	1.1	1800	56H	<a href="#">001580T3ERB56-S</a>	\$419	F2B	42	1.15	2.10	86.5	13.189	230/460	9;13



## ODP - Single-Phase - Evaporative Cooler

HP	kW	RPM	Frame	Catalog Number	List Price	Mult. Symbol	Approx. Shipping Weight (lbs)	Service Factor	FL Amps @ High	FL. Eff (%)	"C" Dimension (in)	Voltage (V)	Notes
0.33	0.25	1800	56	<a href="#">.33180S1AEC56</a>	\$156	F1B	19	1.00	6.60	49.8	9.530	115	1;3;9;16
0.33/0.11	0.25/0.08	1800/1200	56	<a href="#">.33820S1AEC56</a>	\$188	F1B	21	1.00	6.60/3.70	49.8/33.6	9.530	115	1;3;9;16,51
0.5	0.37	1800	56	<a href="#">.50180S1AEC56</a>	\$164	F1B	21	1.00	8.20	58.0	9.530	115	1;3;9;16
		1800	56	<a href="#">.50180S1DEC56</a>	\$166	F1B	21	1.00	4.80	54.0	9.530	240	1;3;9;16;51
0.5/0.16	0.37/0.12	1800/1200	56	<a href="#">.50820S1AEC56</a>	\$199	F1B	24	1.00	8.20/4.60	58.0/42.4	9.530	115	1;3;9
		1800/1200	56	<a href="#">.50820S1DEC56</a>	\$220	F1B	24	1.00	4.80/2.10	54.0/39.6	9.530	240	1;3;9
0.75	0.55	1800	56	<a href="#">.75180S1AEC56</a>	\$201	F1B	24	1.00	10.40	61.9	9.530	115	1;3;9
		1800	56	<a href="#">.75180S1DEC56</a>	\$201	F1B	28	1.00	5.50	59.2	9.530	240	1;3;9
0.75/0.25	0.55/0.18	1800/1200	56	<a href="#">.75820S1AEC56</a>	\$251	F1B	26	1.00	10.4/5.50	61.9/42.8	9.530	115	1;3;9
		1800/1200	56	<a href="#">.75820S1DEC56</a>	\$267	F1B	27	1.00	5.50/2.60	59.0/47.4	9.530	240	1;3;9
1/0.33	0.75/0.25	1800/1200	56	<a href="#">001820S1AEC56</a>	\$364	F1B	32	1.00	12.1/7.10	65.1/49.1	10.960	115	1;3;9
		1800/1200	56	<a href="#">001820S1DEC56</a>	\$389	F1B	33	1.00	6.45/3.06	66.7/51.1	10.960	240	1;3;9

Please refer to back cover for description of "NOTES"

For detailed specifications, data sheets, drawings and performance curves visit <http://www.weg.net>

Data subject to change without notice.

Can't find what you are looking for? Call 1-800-ASK-4WEG (275-4934)

# Air Handling Motors

HVAC MOTORS - WITH INTERNAL AEGIS® SGR



## TEFC - Three-Phase - Foot Mount and Foot Mount with C-Face

HP	kW	RPM	Frame	Catalog Number	List Price	Mult. Symbol	Approx. Shipping Weight (lbs)	Service Factor	FL Amps @ High	FL. Eff (%)	"C" Dimension (in)	Voltage (V)	Notes
1	0.75	3600	143/5T	<a href="#">00136ET3E143T-SG</a>	\$560	RSP	31	1.15	1.40	78.5	13.189	230/460	9;34
		3600	143/5T	<a href="#">00136ET3H143T-SG</a>	\$560	RSP	31	1.15	1.10	78.5	13.189	575	9;34
		1800	143/5T	<a href="#">00118ET3E143T-SG</a>	\$599	RSP	42	1.15	1.50	85.5	13.583	230/460	9;34
		1800	143/5T	<a href="#">00118ET3H143T-SG</a>	\$599	RSP	42	1.15	1.20	85.5	13.583	575	9;34
		1800	143/5T	<a href="#">00118ET3V143T-SG</a>	\$599	RSP	42	1.15	1.70	85.5	13.583	200/400	9;34
		1200	143/5T	<a href="#">00112ET3E145T-SG</a>	\$669	RSP	43	1.15	1.60	82.5	13.583	230/460	9;34
		1200	143/5T	<a href="#">00112ET3H145T-SG</a>	\$669	RSP	43	1.15	1.30	82.5	13.583	575	9;34
1.5	1.1	3600	143/5T	<a href="#">00156ET3E143T-SG</a>	\$613	RSP	39	1.15	1.90	84.0	13.189	230/460	9;34
		3600	143/5T	<a href="#">00156ET3H143T-SG</a>	\$613	RSP	39	1.15	1.50	84.0	13.189	575	9;34
		1800	143/5T	<a href="#">00158ET3E145T-SG</a>	\$620	RSP	43	1.15	2.00	86.5	13.583	230/460	9;34
		1800	143/5T	<a href="#">00158ET3H145T-SG</a>	\$620	RSP	43	1.15	1.60	86.5	13.583	575	9;34
		1800	143/5T	<a href="#">00158ET3V145T-SG</a>	\$620	RSP	43	1.15	2.30	86.5	13.583	200/400	9;34
		1200	182/4T	<a href="#">00152ET3E182T-SG</a>	\$826	RSP	76	1.15	2.20	87.5	16.339	230/460	9;34
		1200	182/4T	<a href="#">00152ET3H182T-SG</a>	\$826	RSP	76	1.15	1.80	87.5	16.339	575	9;34
2	1.5	3600	143/5T	<a href="#">00236ET3E145T-SG</a>	\$654	RSP	45	1.15	2.50	85.5	13.976	230/460	9;34
		3600	143/5T	<a href="#">00236ET3H145T-SG</a>	\$654	RSP	45	1.15	2.00	85.5	13.976	575	9;34
		1800	143/5T	<a href="#">00218ET3E145T-SG</a>	\$673	RSP	47	1.15	2.70	86.5	13.976	230/460	9;34
		1800	143/5T	<a href="#">00218ET3H145T-SG</a>	\$673	RSP	47	1.15	2.20	86.5	13.976	575	9;34
		1800	143/5T	<a href="#">00218ET3V145T-SG</a>	\$673	RSP	47	1.15	3.10	86.5	13.976	200/400	9;34
		1200	182/4T	<a href="#">00212ET3E184T-SG</a>	\$883	RSP	86	1.15	3.00	88.5	17.126	230/460	9;34
		1200	182/4T	<a href="#">00212ET3H184T-SG</a>	\$883	RSP	86	1.15	2.40	88.5	17.126	575	9;34
3	2.2	3600	182/4T	<a href="#">00336ET3E182T-SG</a>	\$835	RSP	73	1.15	3.70	86.5	16.339	230/460	9;34
		3600	182/4T	<a href="#">00336ET3H182T-SG</a>	\$835	RSP	73	1.15	3.00	86.5	16.339	575	9;34
		1800	182/4T	<a href="#">00318ET3E182T-SG</a>	\$747	RSP	87	1.15	3.80	89.5	17.913	230/460	9;34
		1800	182/4TC	<a href="#">00318ET3E182TC-SG</a>	\$780	RSP	87	1.15	3.80	89.5	17.913	230/460	9;34,51
		1800	182/4T	<a href="#">00318ET3H182T-SG</a>	\$747	RSP	87	1.15	3.00	89.5	17.913	575	9;34
		1800	182/4T	<a href="#">00318ET3V182T-SG</a>	\$747	RSP	87	1.15	4.40	89.5	17.913	200/400	9;34
		1200	213/5T	<a href="#">00312ET3E213T-SG</a>	\$1,183	RSP	134	1.15	4.20	89.5	19.291	230/460	9;34
1200	213/5T	<a href="#">00312ET3H213T-SG</a>	\$1,183	RSP	134	1.15	3.40	89.5	19.291	575	9;34,51		
5	3.7	3600	182/4T	<a href="#">00536ET3E184T-SG</a>	\$930	RSP	85	1.15	5.90	88.5	17.913	230/460	9;34
		3600	182/4TC	<a href="#">00536ET3E184TC-SG</a>	\$963	RSP	98	1.15	5.90	88.5	17.913	230/460	9;34,51
		3600	182/4T	<a href="#">00536ET3H184T-SG</a>	\$930	RSP	85	1.15	4.70	88.5	17.913	575	9;34
		1800	182/4T	<a href="#">00518ET3E184T-SG</a>	\$842	RSP	81	1.15	6.50	89.5	17.913	230/460	9;34
		1800	182/4TC	<a href="#">00518ET3E184TC-SG</a>	\$876	RSP	81	1.15	6.50	89.5	17.913	230/460	9;34,51
		1800	182/4T	<a href="#">00518ET3H184T-SG</a>	\$842	RSP	81	1.15	5.20	89.5	17.913	575	9;34
		1800	182/4T	<a href="#">00518ET3V184T-SG</a>	\$842	RSP	81	1.15	7.50	89.5	17.913	200/400	9;34
		1200	213/5T	<a href="#">00512ET3E215T-SG</a>	\$1,360	RSP	153	1.15	6.70	89.5	20.079	230/460	9;34
		1200	213/5T	<a href="#">00512ET3H215T-SG</a>	\$1,360	RSP	153	1.15	5.40	89.5	20.079	575	9;34

continued on next page



### TEFC - Three-Phase - Foot Mount and Foot Mount with C-Face - *continued*

HP	kW	RPM	Frame	Catalog Number	List Price	Mult. Symbol	Approx. Shipping Weight (lbs)	Service Factor	FL Amps @ High	FL. Eff (%)	"C" Dimension (in)	Voltage (V)	Notes		
7.5	5.5	3600	213/5T	<b>00736ET3E213T-SRG</b>	<b>\$1,298</b>	RSP	143	1.15	8.67	89.5	18.897	230/460	9;34		
		3600	213/5T	<b>00736ET3E213T-SG</b>	<b>\$1,180</b>	RSP	143	1.15	8.70	89.5	20.079	230/460	9;34		
		3600	213/5TC	<b>00736ET3E213TC-SG</b>	<b>\$1,225</b>	RSP	145	1.15	8.70	89.5	20.079	230/460	9;34,51		
		3600	213/5T	<b>00736ET3H213T-SG</b>	<b>\$1,180</b>	RSP	143	1.15	7.00	89.5	20.079	575	9;34		
		1800	213/5T	<b>00718ET3E213T-SG</b>	<b>\$1,148</b>	RSP	131	1.15	9.10	91.7	18.898	230/460	9;34		
		1800	213/5TC	<b>00718ET3E213TC-SG</b>	<b>\$1,194</b>	RSP	140	1.15	9.10	91.7	18.898	230/460	9;34,51		
		1800	213/5T	<b>00718ET3H213T-SG</b>	<b>\$1,148</b>	RSP	131	1.15	7.30	91.7	18.898	575	9;34		
		1800	213/5T	<b>00718ET3V213T-SG</b>	<b>\$1,148</b>	RSP	131	1.15	10.5	91.7	18.898	200/400	9;34		
		1200	254/6T	<b>00712ET3E254T-SG</b>	<b>\$2,079</b>	RSP	232	1.15	10.0	91.0	22.559	230/460	9;34		
		1200	254/6T	<b>00712ET3H254T-SG</b>	<b>\$2,079</b>	RSP	232	1.15	8.00	91.0	22.559	575	9;34		
10	7.5	3600	213/5T	<b>01036ET3E215T-SRG</b>	<b>\$1,496</b>	RSP	178	1.15	11.5	90.2	19.291	230/460	9;34		
		3600	213/5T	<b>01036ET3E215T-SG</b>	<b>\$1,360</b>	RSP	178	1.15	11.5	90.2	21.654	230/460	9;34		
		3600	213/5TC	<b>01036ET3E215TC-SG</b>	<b>\$1,405</b>	RSP	178	1.15	11.5	90.2	21.654	230/460	9;34,51		
		3600	213/5T	<b>01036ET3H215T-SG</b>	<b>\$1,360</b>	RSP	178	1.15	9.20	90.2	21.654	575	9;34		
		1800	213/5T	<b>01018ET3E215T-SG</b>	<b>\$1,310</b>	RSP	141	1.15	12.2	91.7	19.291	230/460	9;34		
		1800	213/5TC	<b>01018ET3E215TC-SG</b>	<b>\$1,354</b>	RSP	151	1.15	12.2	91.7	19.291	230/460	9;34,51		
		1800	213/5T	<b>01018ET3H215T-SG</b>	<b>\$1,310</b>	RSP	141	1.15	9.80	91.7	19.291	575	9;34		
		1800	213/5T	<b>01018ET3V215T-SG</b>	<b>\$1,310</b>	RSP	141	1.15	14.0	91.7	19.291	200/400	9;34		
		1200	254/6T	<b>01012ET3E256T-SG</b>	<b>\$2,368</b>	RSP	263	1.15	13.8	91.0	23.346	230/460	9;34		
		1200	254/6T	<b>01012ET3H256T-SG</b>	<b>\$2,368</b>	RSP	263	1.15	11.0	91.0	23.346	575	9;34		
15	11	3600	254/6T	<b>01536ET3E254T-SG</b>	<b>\$1,869</b>	RSP	216	1.15	17.4	91.0	22.559	230/460	9;34		
		3600	254/6TC	<b>01536ET3E254TC-SG</b>	<b>\$1,929</b>	RSP	216	1.15	17.4	91.0	22.559	230/460	9;34,51		
		3600	254/6T	<b>01536ET3H254T-SG</b>	<b>\$1,869</b>	RSP	216	1.15	13.9	91.0	22.559	575	9;34		
		3600	254/6T	<b>01536ET3E254T-W22G</b>	<b>\$2,104</b>	N1	300	1.25	17.2	91.0	24.945	230/460	9;34		
		1800	254/6T	<b>01518ET3E254T-W22G</b>	<b>\$2,128</b>	N1	349	1.25	18.0	92.4	24.961	230/460	9;34,51		
		1800	254/6T	<b>01518ET3E254T-SG</b>	<b>\$1,890</b>	RSP	234	1.15	18.2	92.4	22.559	230/460	9;34		
		1800	254/6TC	<b>01518ET3E254TC-SG</b>	<b>\$1,950</b>	RSP	248	1.15	18.2	92.4	22.559	230/460	9;34		
		1800	254/6T	<b>01518ET3H254T-SG</b>	<b>\$1,890</b>	RSP	234	1.15	14.6	92.4	22.559	575	34		
		1800	254/6T	<b>01518ET3V254T-SG</b>	<b>\$1,890</b>	RSP	234	1.15	20.9	92.4	22.559	200/400	34		
		1200	284/6TS	<b>01512ET3E284TS-W22G</b>	<b>\$3,601</b>	N1	360	1.25	17.9	91.7	26.557	230/460	34		
		1200	284/6T	<b>01512ET3E284T-W22G</b>	<b>\$3,601</b>	N1	422	1.25	17.9	91.7	27.929	230/460	9;34		
		1200	284/6TS	<b>01512ET3H284TS-W22G</b>	<b>\$3,601</b>	N1	360	1.25	14.3	91.7	26.557	575	9;34,51		
20	15	3600	254/6T	<b>02036ET3E256T-SG</b>	<b>\$2,356</b>	RSP	242	1.15	22.7	91.0	23.346	230/460	9;34		
		3600	254/6TC	<b>02036ET3E256TC-SG</b>	<b>\$2,416</b>	RSP	245	1.15	22.7	91.0	23.346	230/460	9;34		
		3600	254/6T	<b>02036ET3H256T-SG</b>	<b>\$2,356</b>	RSP	242	1.15	18.2	91.0	23.346	575	9;34,51		
		3600	254/6T	<b>02036ET3E256T-W22G</b>	<b>\$2,662</b>	N1	325	1.25	23.2	91.0	24.961	230/460	9;34		
		1800	254/6T	<b>02018ET3E256T-SG</b>	<b>\$2,198</b>	RSP	265	1.15	24.7	92.4	23.346	230/460	9;34,51		
		1800	254/6TC	<b>02018ET3E256TC-SG</b>	<b>\$2,258</b>	RSP	279	1.15	24.7	93.0	23.346	230/460	34		
		1800	254/6T	<b>02018ET3H256T-SG</b>	<b>\$2,198</b>	RSP	265	1.15	19.8	93.0	23.346	575	34		
		1800	254/6T	<b>02018ET3V256T-SG</b>	<b>\$2,198</b>	RSP	265	1.15	28.4	93.0	23.346	200/400	34		
		1200	284/6T	<b>02012ET3E286T-W22G</b>	<b>\$4,272</b>	N1	449	1.25	24.2	91.7	27.929	230/460	34		
		1200	284/6T	<b>02012ET3H286T-W22G</b>	<b>\$4,272</b>	N1	450	1.25	19.4	91.7	27.929	575	34		
		25	18.5	3600	284/6TS	<b>02536ET3E284TS-W22G</b>	<b>\$3,308</b>	N1	406	1.25	28.5	91.7	26.557	230/460	34
				3600	284/6TS	<b>02536ET3H284TS-W22G</b>	<b>\$3,308</b>	N1	400	1.25	22.8	91.7	26.557	575	34
1800	284/6T			<b>02518ET3E284T-W22G</b>	<b>\$3,053</b>	N1	440	1.25	29.5	93.6	27.929	230/460	34		
1800	284/6T			<b>02518ET3H284T-W22G</b>	<b>\$3,053</b>	N1	439	1.25	23.6	93.6	27.929	575	34		
1800	284/6T			<b>02518ET3V284T-W22G</b>	<b>\$3,053</b>	N1	440	1.25	33.9	93.6	27.929	200/400	34		
1200	324/6T			<b>02512ET3E324T-W22G</b>	<b>\$5,137</b>	N1	585	1.25	30.4	93.0	31.116	230/460	34		
1200	324/6T			<b>02512ET3H324T-W22G</b>	<b>\$5,137</b>	N1	569	1.25	24.3	93.0	31.116	575	34		

Air Handling Motors

Please refer to back cover for description of "NOTES"

For detailed specifications, data sheets, drawings and performance curves visit <http://www.weg.net>

Data subject to change without notice.

Can't find what you are looking for? Call 1-800-ASK-4WEG (275-4934)

### TEFC - Three-Phase - Foot Mount and Foot Mount with C-Face - *continued*

HP	kW	RPM	Frame	Catalog Number	List Price	Mult. Symbol	Approx. Shipping Weight (lbs)	Service Factor	FL Amps @ High	FL Eff (%)	"C" Dimension (in)	Voltage (V)	Notes
30	22	3600	284/6TS	<a href="#">03036ET3E286TS-W22G</a>	\$3,871	N1	425	1.25	33.8	91.7	26.557	230/460	34
		3600	284/6TS	<a href="#">03036ET3H286TS-W22G</a>	\$3,871	N1	430	1.25	27.0	91.7	26.557	575	34
		1800	284/6T	<a href="#">03018ET3E286T-W22G</a>	\$3,533	N1	478	1.25	35.1	93.6	27.929	230/460	34
		1800	284/6TC	<a href="#">03018ET3E286TC-W22G</a>	\$3,632	N1	486	1.25	35.1	93.6	27.929	230/460	34
		1800	284/6T	<a href="#">03018ET3H286T-W22G</a>	\$3,533	N1	476	1.25	28.1	93.6	27.929	575	34
		1800	284/6T	<a href="#">03018ET3V286T-W22G</a>	\$3,533	N1	479	1.25	40.4	93.6	27.929	200/400	34
		1200	324/6T	<a href="#">03012ET3E326T-W22G</a>	\$5,673	N1	629	1.25	36.2	93.0	31.116	230/460	34
		1200	324/6TC	<a href="#">03012ET3E326TC-W22G</a>	\$5,794	N1	621	1.25	36.2	93.0	31.116	230/460	34,51
		1200	324/6T	<a href="#">03012ET3H326T-W22G</a>	\$5,673	N1	621	1.25	29.0	93.0	31.116	575	34
40	30	3600	324/6TS	<a href="#">04036ET3E324TS-W22G</a>	\$5,125	N1	590	1.25	45.8	92.4	29.616	230/460	34
		3600	324/6TS	<a href="#">04036ET3H324TS-W22G</a>	\$5,125	N1	572	1.25	36.6	92.4	29.616	575	34
		1800	324/6T	<a href="#">04018ET3E324T-W22G</a>	\$4,578	N1	615	1.25	47.1	94.1	31.116	230/460	34
		1800	324/6T	<a href="#">04018ET3H324T-W22G</a>	\$4,578	N1	614	1.25	37.7	94.1	31.116	575	34
		1800	324/6T	<a href="#">04018ET3V324T-W22G</a>	\$4,578	N1	616	1.25	54.2	94.1	31.116	200/400	34
		1200	364/5T	<a href="#">04012ET3E364T-W22G</a>	\$8,124	N1	1004	1.25	46.5	94.1	34.251	230/460	34
		1200	364/5T	<a href="#">04012ET3H364T-W22G</a>	\$8,124	N1	950	1.25	37.2	94.1	34.251	575	34
50	37	3600	324/6TS	<a href="#">05036ET3E326TS-W22G</a>	\$5,716	N1	612	1.25	56.1	93.0	29.616	230/460	34
		3600	324/6TS	<a href="#">05036ET3H326TS-W22G</a>	\$5,716	N1	605	1.25	44.9	93.0	29.616	575	34
		1800	324/6T	<a href="#">05018ET3E326T-W22G</a>	\$5,500	N1	638	1.25	59.2	94.5	31.116	230/460	34
		1800	324/6T	<a href="#">05018ET3H326T-W22G</a>	\$5,500	N1	634	1.25	47.4	94.5	31.116	575	34
		1800	324/6T	<a href="#">05018ET3V326T-W22G</a>	\$5,500	N1	637	1.25	68.1	94.5	31.116	200/400	34,51
		1200	364/5T	<a href="#">05012ET3E365T-W22G</a>	\$9,358	N1	1021	1.25	57.4	94.1	34.251	230/460	34
		1200	364/5T	<a href="#">05012ET3H365T-W22G</a>	\$9,358	N1	1009	1.25	45.9	94.1	34.251	575	34
60	45	3600	364/5TS	<a href="#">06036ET3E364TS-W22G</a>	\$8,392	N1	962	1.25	67.0	93.6	32.338	230/460	34
		3600	364/5TS	<a href="#">06036ET3H364TS-W22G</a>	\$8,392	N1	954	1.25	53.6	93.6	32.338	575	34,51
		1800	364/5T	<a href="#">06018ET3E364T-W22G</a>	\$8,229	N1	1029	1.25	68.3	95.0	34.251	230/460	34
		1800	364/5T	<a href="#">06018ET3H364T-W22G</a>	\$8,229	N1	1027	1.25	54.6	95.0	34.251	575	34
		1200	404/5T	<a href="#">06012ET3E404T-W22G</a>	\$11,697	N1	1213	1.25	69.5	94.5	39.730	230/460	34
		1200	404/5T	<a href="#">06012ET3H404T-W22G</a>	\$11,697	N1	1213	1.25	55.6	94.5	39.730	575	34
75	55	3600	364/5TS	<a href="#">07536ET3E365TS-W22G</a>	\$9,931	N1	965	1.25	81.9	93.6	32.338	230/460	34
		3600	364/5TS	<a href="#">07536ET3H365TS-W22G</a>	\$9,931	N1	967	1.25	65.5	93.6	32.338	575	34,51
		1800	364/5T	<a href="#">07518ET3E365T-W22G</a>	\$9,545	N1	1046	1.25	84.1	95.4	34.251	230/460	34
		1800	364/5TC	<a href="#">07518ET3E365TC-W22G</a>	\$9,988	N1	1041	1.25	84.1	95.4	34.251	230/460	34,51
		1800	364/5T	<a href="#">07518ET3H365T-W22G</a>	\$9,545	N1	1044	1.25	67.3	95.4	34.251	575	34
		1200	404/5T	<a href="#">07512ET3E405T-W22G</a>	\$13,258	N1	882	1.25	84.9	94.5	39.730	230/460	34
		1200	404/5T	<a href="#">07512ET3H405T-W22G</a>	\$13,258	N1	882	1.25	67.9	94.5	39.730	575	34
		3600	404/5TS	<a href="#">10036ET3E405TS-W22G</a>	\$13,202	N1	1193	1.25	110	94.1	36.732	230/460	34
100	75	1800	404/5T	<a href="#">10018ET3E405T-W22G</a>	\$12,889	N1	1283	1.25	111	95.4	39.730	230/460	34
		1800	404/5T	<a href="#">10018ET3H405T-W22G</a>	\$12,889	N1	1292	1.25	88.8	95.4	39.730	575	34
		1200	444/5T	<a href="#">10012ET3E444T-W22G</a>	\$17,181	N1	1885	1.25	121	95.0	45.157	230/460	34
		1200	444/5T	<a href="#">10012ET3H444T-W22G</a>	\$17,181	N1	1885	1.25	96.8	95.0	45.157	575	34

*continued on next page*

Please refer to back cover for description of "NOTES"

For detailed specifications, data sheets, drawings and performance curves visit <http://www.weg.net>



### TEFC - Three-Phase - Foot Mount and Foot Mount with C-Face - *continued*

HP	kW	RPM	Frame	Catalog Number	List Price	Mult. Symbol	Approx. Shipping Weight (lbs)	Service Factor	FL Amps @ High	FL. Eff (%)	"C" Dimension (in)	Voltage (V)	Notes
125	90	3600	444/5TS	<a href="#">12536ET3E444TS-W22G</a>	<b>\$16,900</b>	N1	1836	1.15	134	95.0	41.407	230/460	34
		3600	444/5TS	<a href="#">12536ET3H444TS-W22G</a>	<b>\$16,900</b>	N1	1836	1.15	107	95.0	41.407	575	34
		1800	444/5T	<a href="#">12518ET3E444T-W22G</a>	<b>\$16,298</b>	N1	1824	1.15	139	95.4	45.157	230/460	34
		1800	444/5TC	<a href="#">12518ET3E444TC-W22G</a>	<b>\$16,904</b>	N1	1861	1.15	139	95.4	45.157	230/460	34
		1800	444/5T	<a href="#">12518ET3H444T-W22G</a>	<b>\$16,298</b>	N1	1824	1.15	111	95.4	45.157	575	34
		1800	444/5TC	<a href="#">12518ET3G444TC-W22G</a>	<b>\$17,768</b>	N1	1754	1.15	139	95.4	45.157	460	34,51
		1200	444/5T	<a href="#">12512ET3E445T-W22G</a>	<b>\$19,497</b>	N1	2004	1.15	143	95.0	45.157	230/460	34
		1200	444/5T	<a href="#">12512ET3H445T-W22G</a>	<b>\$19,497</b>	N1	2004	1.15	114	95.0	45.157	575	34
150	110	1800	444/5TC	<a href="#">15018ET3E445TC-W22G</a>	<b>\$19,575</b>	N1	1960	1.15	170	95.8	45.157	230/460	34
		1800	444/5TC	<a href="#">15018ET3G445TC-W22G</a>	<b>\$19,575</b>	N1	1960	1.15	170	95.8	45.157	460	34,51

Please refer to back cover for description of "NOTES"

For detailed specifications, data sheets, drawings and performance curves visit <http://www.weg.net>

Data subject to change without notice.

Can't find what you are looking for? Call 1-800-ASK-4WEG (275-4934)

# Air Handling Motors

HVAC MOTORS - WITH INTERNAL AEGIS® SGR



## ODP - Three-Phase - Foot Mount and Foot Mount with C-Face

HP	kW	RPM	Frame	Catalog Number	List Price	Mult. Symbol	Approx. Shipping Weight (lbs)	Service Factor	FL Amps @ High	FL. Eff (%)	"C" Dimension (in)	Voltage (V)	Notes
1	0.75	1800	143/5T	<a href="#">001180T3E143T-SG*</a>	\$530	N1S	38	1.15	1.50	85.5	11.181	230/460	9;34
		1800	143/5TC	<a href="#">001180T3E143TC-SG</a>	\$564	N1S	38	1.15	1.50	85.5	11.181	230/460	9;34
		1800	143/5T	<a href="#">001180T3H143T-SG</a>	\$530	N1S	38	1.15	1.20	85.5	11.181	575	9;34,51
		1800	143/5T	<a href="#">001180T3V143T-SG</a>	\$530	N1S	38	1.15	1.70	85.5	11.181	200/400	9;34,51
		1200	143/5T	<a href="#">001120T3E145T-SG</a>	\$586	N1S	38	1.15	1.70	82.5	11.181	230/460	9;34,51
		1200	143/5T	<a href="#">001120T3H145T-SG</a>	\$586	N1S	38	1.15	1.30	82.5	11.181	575	9;34
1.5	1.1	3600	143/5T	<a href="#">001560T3E143T-SG</a>	\$582	N1S	33	1.15	1.90	84.0	11.181	230/460	9;34
		1800	143/5T	<a href="#">001580T3E145T-SG</a>	\$589	N1S	45	1.15	2.10	86.5	12.362	230/460	9;34
		1800	143/5TC	<a href="#">001580T3E145TC-SG</a>	\$623	N1S	45	1.15	2.10	86.5	12.362	230/460	9;34,51
		1800	143/5T	<a href="#">001580T3H145T-SG</a>	\$589	N1S	45	1.15	1.70	86.5	12.362	575	9;34
		1800	143/5T	<a href="#">001580T3V145T-SG</a>	\$589	N1S	45	1.15	2.40	86.5	12.362	200/400	9;34
		1800	143/5TC	<a href="#">001580T3V145TC-SG</a>	\$623	N1S	45	1.15	2.40	86.5	12.362	200/400	9;34,51
		1200	182/4T	<a href="#">001520T3E182T-SG</a>	\$758	N1S	63	1.15	2.30	86.5	13.976	230/460	9;34
2	1.5	3600	143/5T	<a href="#">002360T3E145T-SG</a>	\$627	N1S	40	1.15	2.40	85.5	11.969	230/460	9;34
		1800	143/5T	<a href="#">002180T3E145T-SG</a>	\$632	N1S	43	1.15	2.70	86.5	12.362	230/460	9;34
		1800	143/5TC	<a href="#">002180T3E145TC-SG</a>	\$666	N1S	43	1.15	2.70	86.5	12.362	230/460	9;34,51
		1800	143/5T	<a href="#">002180T3H145T-SG</a>	\$632	N1S	43	1.15	2.20	86.5	12.362	575	9;34,51
		1800	143/5T	<a href="#">002180T3V145T-SG</a>	\$632	N1S	43	1.15	3.10	86.5	12.362	200/400	9;34
		1200	182/4T	<a href="#">002120T3E184T-SG</a>	\$767	N1S	73	1.15	3.00	87.5	14.764	230/460	9;34
3	2.2	3600	143/5T	<a href="#">003360T3E145T-SG</a>	\$685	N1S	44	1.15	3.60	85.5	12.362	230/460	9;34
		1800	182/4T	<a href="#">003180T3E182T-SG</a>	\$694	N1S	73	1.15	3.90	89.5	15.157	230/460	9;34
		1800	182/4TC	<a href="#">003180T3E182TC-SG</a>	\$732	N1S	73	1.15	3.90	89.5	15.157	230/460	9;34
		1800	182/4T	<a href="#">003180T3H182T-SG</a>	\$694	N1S	73	1.15	3.10	89.5	15.157	575	9;34
		1800	182/4T	<a href="#">003180T3V182T-SG</a>	\$694	N1S	73	1.15	4.40	89.5	15.157	200/400	9;34
		1800	182/4TC	<a href="#">003180T3V182TC-SG</a>	\$732	N1S	73	1.15	4.40	89.5	15.157	200/400	9;34,51
		1200	213/5T	<a href="#">003120T3E213T-SG</a>	\$975	N1S	113	1.15	4.20	88.5	16.575	230/460	9;34
		1200	213/5T	<a href="#">003120T3H213T-SG</a>	\$975	N1S	113	1.15	3.30	88.5	16.575	575	9;34
5	3.7	3600	182/4T	<a href="#">005360T3E182T-SG</a>	\$821	N1S	61	1.15	6.10	86.5	14.764	230/460	9;34
		3600	182/4TC	<a href="#">005360T3E182TC-SG</a>	\$859	N1S	61	1.15	6.10	86.5	14.764	230/460	9;34,51
		1800	182/4T	<a href="#">005180T3E184T-SG</a>	\$800	N1S	88	1.15	6.30	89.5	16.339	230/460	9;34
		1800	182/4TC	<a href="#">005180T3E184TC-SG</a>	\$838	N1S	88	1.15	6.30	89.5	16.339	230/460	9;34
		1800	182/4T	<a href="#">005180T3H184T-SG</a>	\$800	N1S	88	1.15	5.10	89.5	16.339	575	9;34
		1800	182/4T	<a href="#">005180T3V184T-SG</a>	\$800	N1S	88	1.15	7.30	89.5	16.339	200/400	9;34
		1800	182/4TC	<a href="#">005180T3V184TC-SG</a>	\$838	N1S	88	1.15	7.30	89.5	16.339	200/400	9;34,51
		1200	213/5T	<a href="#">005120T3E215T-SG</a>	\$1,257	N1S	135	1.15	6.70	89.5	16.969	230/460	9;34

continued on next page





### ODP - Three-Phase - Foot Mount and Foot Mount with C-Face - *continued*

HP	KW	RPM	Frame	Catalog Number	List Price	Mult. Symbol	Approx. Shipping Weight (lbs)	Service Factor	FL Amps @ High	FL. Eff (%)	"C" Dimension (in)	Voltage (V)	Notes
7.5	5.5	3600	182/4T	<a href="#">007360T3E184T-SG</a>	\$1,090	N1S	76	1.15	8.70	88.5	15.157	230/460	9;34
		3600	182/4TC	<a href="#">007360T3E184TC-SG</a>	\$1,128	N1S	76	1.15	8.70	88.5	15.157	230/460	9;34,51
		1800	213/5T	<a href="#">007180T3E213T-SG</a>	\$1,110	N1S	125	1.15	9.30	91.0	16.575	230/460	9;34
		1800	213/5TC	<a href="#">007180T3E213TC-SG</a>	\$1,161	N1S	125	1.15	9.30	91.0	16.575	230/460	9;34
		1800	213/5T	<a href="#">007180T3H213T-SG</a>	\$1,110	N1S	125	1.15	7.40	91.0	16.575	575	9;34
		1800	213/5T	<a href="#">007180T3V213T-SG</a>	\$1,110	N1S	125	1.15	10.6	91.0	16.575	200/400	9;34
		1800	213/5TC	<a href="#">007180T3V213TC-SG</a>	\$1,161	N1S	125	1.15	10.6	91.0	16.575	200/400	9;34
		1200	254/6T	<a href="#">007120T3E254T-SG</a>	\$1,747	N1S	209	1.15	10.2	90.2	20.472	230/460	9;34
		1200	254/6TC	<a href="#">007120T3E254TC-SG</a>	\$1,815	N1S	209	1.15	10.2	90.2	20.472	230/460	9;34
		1200	254/6T	<a href="#">007120T3H254T-SG</a>	\$1,747	N1S	209	1.15	8.20	90.2	20.472	575	9;34
10	7.5	3600	213/5T	<a href="#">010360T3E213T-SG</a>	\$1,281	N1S	126	1.15	12.0	89.5	16.969	230/460	9;34
		3600	213/5TC	<a href="#">010360T3E213TC-SG</a>	\$1,332	N1S	126	1.15	12.0	89.5	16.969	230/460	9;34,51
		1800	213/5T	<a href="#">010180T3E215T-SG</a>	\$1,302	N1S	130	1.15	12.4	91.7	16.575	230/460	9;34
		1800	213/5TC	<a href="#">010180T3E215TC-SG</a>	\$1,353	N1S	130	1.15	12.4	91.7	16.575	230/460	9;34
		1800	213/5T	<a href="#">010180T3H215T-SG</a>	\$1,302	N1S	130	1.15	9.90	91.7	16.575	575	9;34
		1800	213/5T	<a href="#">010180T3V215T-SG</a>	\$1,302	N1S	130	1.15	14.3	91.7	16.575	200/400	9;34,51
		1800	213/5TC	<a href="#">010180T3V215TC-SG</a>	\$1,353	N1S	130	1.15	14.3	91.7	16.575	200/400	9;34
		1200	254/6T	<a href="#">010120T3E256T-SG</a>	\$1,997	N1S	237	1.15	13.9	91.7	20.472	230/460	9;34
1200	254/6T	<a href="#">010120T3H256T-SG</a>	\$1,997	N1S	237	1.15	11.1	91.7	20.472	575	9;34		
15	11	3600	213/5T	<a href="#">015360T3E215T-SG</a>	\$1,692	N1S	141	1.15	17.2	90.2	17.756	230/460	9;34
		3600	213/5TC	<a href="#">015360T3E215TC-SG</a>	\$1,743	N1S	141	1.15	17.2	90.2	17.756	230/460	9;34,51
		1800	254/6T	<a href="#">015180T3E254T-SG</a>	\$1,757	N1S	211	1.15	18.6	93.0	20.472	230/460	9;34
		1800	254/6TC	<a href="#">015180T3E254TC-SG</a>	\$1,825	N1S	211	1.15	18.6	93.0	20.472	230/460	9;34
		1800	254/6T	<a href="#">015180T3H254T-SG</a>	\$1,757	N1S	211	1.15	14.9	93.0	20.472	575	9;34
		1800	254/6T	<a href="#">015180T3V254T-SG</a>	\$1,757	N1S	211	1.15	21.4	93.0	20.472	200/400	9;34
		1200	284T	<a href="#">015120T3E284T-W40G</a>	\$2,722	N1B	340	1.25	18.4	91.7	23.158	230/460	34
20	15	3600	254/6T	<a href="#">020360T3E254T-SG</a>	\$2,040	N1S	187	1.15	23.8	91.0	20.472	230/460	9;34
		3600	254/6TC	<a href="#">020360T3E254TC-SG</a>	\$2,108	N1S	187	1.15	23.8	91.0	20.472	230/460	9;34,51
		1800	254/6T	<a href="#">020180T3E256T-SG</a>	\$2,112	N1S	235	1.15	25.0	93.0	20.472	230/460	9;34
		1800	254/6TC	<a href="#">020180T3E256TC-SG</a>	\$2,180	N1S	235	1.15	25.0	93.0	20.472	230/460	9;34
		1800	254/6T	<a href="#">020180T3H256T-SG</a>	\$2,112	N1S	235	1.15	20.0	93.0	20.472	575	9;34
		1800	254/6T	<a href="#">020180T3V256T-SG</a>	\$2,112	N1S	235	1.15	28.8	93.0	20.472	200/400	9;34
		1800	254/6TC	<a href="#">020180T3V256TC-SG</a>	\$2,180	N1S	235	1.15	28.8	93.0	20.472	200/400	9;34
25	18.5	3600	254/6T	<a href="#">025360T3E256T-SG</a>	\$2,419	N1S	202	1.15	29.1	91.7	20.472	230/460	9;34
		3600	254/6TC	<a href="#">025360T3E256TC-SG</a>	\$2,487	N1S	202	1.15	29.1	91.7	20.472	230/460	9;34,51
		1800	284T	<a href="#">025180T3E284T-W40G</a>	\$2,470	N1B	381	1.25	29.5	93.6	23.158	230/460	34
		1800	284TC	<a href="#">025180T3E284TC-W40G</a>	\$2,555	N1B	388	1.25	29.5	93.6	23.158	230/460	34
		1800	284T	<a href="#">025180T3H284T-W40G</a>	\$2,470	N1B	380	1.25	23.6	93.6	23.158	575	34
		1800	284T	<a href="#">025180T3V284T-W40G</a>	\$2,470	N1B	372	1.25	33.9	93.6	23.158	200/400	34
		1200	324T	<a href="#">025120T3E324T-W40G</a>	\$3,919	N1B	485	1.25	30.8	93.0	25.807	230/460	34

Motors

*continued on next page*

Please refer to back cover for description of "NOTES"

For detailed specifications, data sheets, drawings and performance curves visit <http://www.weg.net>

Data subject to change without notice.

Can't find what you are looking for? Call 1-800-ASK-4WEG (275-4934)

**A-187**

# Air Handling Motors

HVAC MOTORS - WITH INTERNAL AEGIS® SGR



## ODP - Three-Phase - Foot Mount and Foot Mount with C-Face - *continued*

HP	kW	RPM	Frame	Catalog Number	List Price	Mult. Symbol	Approx. Shipping Weight (lbs)	Service Factor	FL Amps @ High	FL Eff (%)	"C" Dimension (in)	Voltage (V)	Notes
30	22	3600	284TS	<a href="#">030360T3E284TS-W40G</a>	<b>\$2,797</b>	N1B	333	1.25	35.0	91.7	21.783	230/460	34
		1800	284/6T	<a href="#">030180T3E286T-W40G</a>	<b>\$2,840</b>	N1B	428	1.25	34.9	94.1	24.658	230/460	34
		1800	284/6TC	<a href="#">030180T3E286TC-W40G</a>	<b>\$2,925</b>	N1B	435	1.25	34.9	94.1	24.658	230/460	34
		1800	284/6T	<a href="#">030180T3H286T-W40G</a>	<b>\$2,840</b>	N1B	432	1.25	27.9	94.1	24.658	575	34
		1800	284/6T	<a href="#">030180T3V286T-W40G</a>	<b>\$2,840</b>	N1B	432	1.25	40.1	94.1	24.658	200/400	34
		1200	324/6T	<a href="#">030120T3E326T-W40G</a>	<b>\$4,290</b>	N1B	548	1.25	36.0	93.6	27.307	230/460	34
40	30	3600	284/6TS	<a href="#">040360T3E286TS-W40G</a>	<b>\$3,618</b>	N1B	377	1.25	46.8	92.4	23.283	230/460	34
		3600	284/6TSC	<a href="#">040360T3E286TSC-W40G</a>	<b>\$3,703</b>	N1B	397	1.25	46.8	92.4	23.283	230/460	34
		1800	324TS	<a href="#">040180T3E324TS-W40G</a>	<b>\$3,372</b>	N1B	505	1.25	47.6	94.1	24.307	230/460	34
		1800	324T	<a href="#">040180T3E324T-W40G</a>	<b>\$3,495</b>	N1B	481	1.25	47.6	94.1	25.807	230/460	34
		1800	324TC	<a href="#">040180T3E324TC-W40G</a>	<b>\$3,595</b>	N1B	497	1.25	47.6	94.1	25.807	230/460	34
		1800	324T	<a href="#">040180T3H324T-W40G</a>	<b>\$3,495</b>	N1B	505	1.25	38.1	94.1	25.807	575	34
		1800	324T	<a href="#">040180T3V324T-W40G</a>	<b>\$3,495</b>	N1B	486	1.25	54.7	94.1	25.807	200/400	34
		1800	324TC	<a href="#">040180T3V324TC-W40G</a>	<b>\$3,595</b>	N1B	505	1.25	54.7	94.1	25.807	200/400	34,51
		1200	364/5T	<a href="#">040120T3E364T-W40G</a>	<b>\$6,384</b>	N1B	855	1.25	47.1	94.1	29.725	230/460	34
50	37	3600	324TS	<a href="#">050360T3E324TS-W40G</a>	<b>\$4,097</b>	N1B	520	1.25	58.7	93.0	24.307	230/460	34
		3600	324TSC	<a href="#">050360T3E324TSC-W40G</a>	<b>\$4,197</b>	N1B	520	1.25	58.7	93.0	24.307	230/460	34
		1800	326TC	<a href="#">050180T3E326TC-G*</a>	<b>\$4,288</b>	N1B	587	1.15	59.9	94.5	27.667	230/460	34
		1800	324/6T	<a href="#">050180T3E326T-W40G</a>	<b>\$4,188</b>	N1B	544	1.25	58.5	94.5	27.307	230/460	34
		1800	324/6TC	<a href="#">050180T3E326TC-W40G</a>	<b>\$4,288</b>	N1B	563	1.25	58.5	94.5	27.307	230/460	34
		1800	324/6T	<a href="#">050180T3H326T-W40G</a>	<b>\$4,188</b>	N1B	535	1.25	46.8	94.5	27.307	575	34
		1800	324/6T	<a href="#">050180T3V326T-W40G</a>	<b>\$4,188</b>	N1B	520	1.25	67.3	94.5	27.307	200/400	34
		1200	364/5T	<a href="#">050120T3E365T-W40G</a>	<b>\$7,232</b>	N1B	884	1.25	58.1	94.1	29.725	230/460	34,51
60	45	3600	324/6TS	<a href="#">060360T3E326TS-W40G</a>	<b>\$4,858</b>	N1B	548	1.25	71.0	93.6	25.807	230/460	34
		1800	364/5T	<a href="#">060180T3E364T-W40G</a>	<b>\$5,283</b>	N1B	854	1.25	69.9	95.0	29.725	230/460	34
		1800	364/5TC	<a href="#">060180T3E364TC-W40G</a>	<b>\$5,677</b>	N1B	881	1.25	69.9	95.0	29.725	230/460	34
		1800	364/5T	<a href="#">060180T3H364T-W40G</a>	<b>\$5,283</b>	N1B	847	1.25	55.9	95.0	29.725	575	34
		1200	404/5T	<a href="#">060120T3E404T-W40G</a>	<b>\$8,762</b>	N1B	1051	1.25	70.3	94.5	34.100	230/460	34,51
75	55	3600	364/5TS	<a href="#">075360T3E364TS-W40G</a>	<b>\$6,172</b>	N1B	789	1.25	84.8	93.6	27.522	230/460	34
		3600	364/5TSC	<a href="#">075360T3E364TSC-W40G</a>	<b>\$6,566</b>	N1B	794	1.25	84.8	93.6	27.522	230/460	34,51
		1800	364/5T	<a href="#">075180T3E365T-W40G</a>	<b>\$6,498</b>	N1B	878	1.25	85.5	95.0	29.725	230/460	34
		1800	364/5TC	<a href="#">075180T3E365TC-W40G</a>	<b>\$6,892</b>	N1B	904	1.25	85.5	95.0	29.725	230/460	34
		1800	364/5T	<a href="#">075180T3H365T-W40G</a>	<b>\$6,498</b>	N1B	875	1.25	68.4	95.0	29.725	575	34
		1200	404/5T	<a href="#">075120T3E405T-W40G</a>	<b>\$9,558</b>	N1B	1087	1.25	85.9	94.5	34.100	230/460	34,51
100	75	3600	364/5TS	<a href="#">100360T3E365TS-W40G</a>	<b>\$7,484</b>	N1B	835	1.25	116	93.6	27.522	230/460	34,51
		1800	404/5TS	<a href="#">100180T3E404TS-W40G</a>	<b>\$7,751</b>	N1B	1047	1.25	115	95.4	31.100	230/460	34
		1800	404/5T	<a href="#">100180T3E404T-W40G</a>	<b>\$8,341</b>	N1B	1064	1.25	115	95.4	34.100	230/460	34
		1800	404/5T	<a href="#">100180T3H404T-W40G</a>	<b>\$8,341</b>	N1B	1070	1.25	92.0	95.4	34.100	575	34
		1200	444/5T	<a href="#">100120T3E444T-W40G</a>	<b>\$13,463</b>	N1B	1403	1.25	127	95.0	38.108	230/460	34,51
125	90	3600	404/5TS	<a href="#">125360T3E404TS-W40G</a>	<b>\$10,026</b>	N1B	955	1.25	136	94.1	31.100	230/460	34,51
		1800	404/5T	<a href="#">125180T3E405T-W40G</a>	<b>\$9,181</b>	N1B	1156	1.25	138	95.4	34.100	230/460	34,51
		1800	404/5TC	<a href="#">125180T3E405TC-W40G</a>	<b>\$9,627</b>	N1B	1156	1.25	138	95.4	34.100	230/460	34
		1800	404/5T	<a href="#">125180T3H405T-W40G</a>	<b>\$9,181</b>	N1B	1156	1.25	110	95.4	34.100	575	34,51
		1200	444/5T	<a href="#">125120T3G445T-W40G</a>	<b>\$14,353</b>	N1B	1497	1.25	154	95.0	38.108	460	34,51
150	110	3600	404/5TS	<a href="#">150360T3G405TS-W40G</a>	<b>\$12,616</b>	N1B	1004	1.25	167	94.1	31.100	460	34,51

\* To be discontinued and replaced by W40 model once inventory is depleted.

Please refer to back cover for description of "NOTES"

For detailed specifications, data sheets, drawings and performance curves visit <http://www.weg.net>

# Air Handling Motors

## COOLING TOWER MOTORS

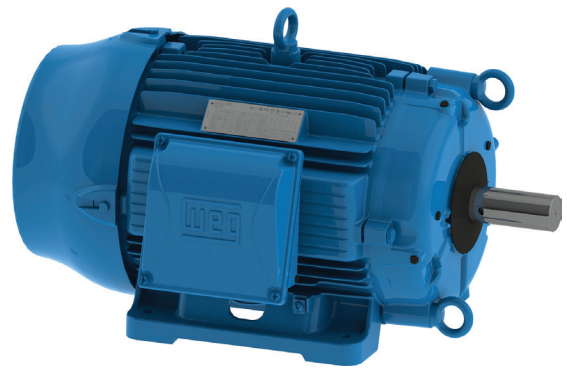
### Three-Phase TEFC & TEAO

WEG's cooling tower motors are designed for operation in 100% humidity and the most corrosive environments. They are designed to operate in either horizontal or vertical mounting.

WEG's W22 cast iron platform has a superior cooling system and solid feet for cool operation and low vibration and noise extending the life of the motor.

#### Standard Features:

- 50/60 Hz rated (380V on Nameplate - 400/415 Available - Same Horse Power at 50 Hz with a 1.0 Service Factor)
- Class F insulation (Impregnation Resin and magnet Wire are class H)
- Standard mounting is F2. F1 mounted motors are identified in the part number. (Both configurations are convertible).
- Stainless Steel Nameplate - Laser etched with high contrast background
- Double Sealed bearings
- Space Heaters 110-127/200-240V (200-240V 143/5T)



#### Features that make a difference:

- 1.25 Service Factor
- Multiple endbell drain plugs for shaft up, down or horizontal mounting
- Drain plugs in terminal box
- Rubber lead separator between terminal box and frame
- Internally and externally epoxy painted
- Double sealed bearings
- Double impregnation and bake

**Inverter Rated:**  
**1000:1 for variable torque**

#### ADDITIONAL TECHNICAL DATA

ELECTRICAL DATA: B-27

MECHANICAL DATA: B-91; B-95



# Air Handling Motors

## COOLING TOWER MOTORS - THREE-PHASE



### TEFC - Three-Phase - Foot Mount - NEMA Premium®

HP	kW	RPM	Frame	Catalog Number	List Price	Mult. Symbol	Approx. Shipping Weight (lbs)	Service Factor	FL Amps @ High	FL. Eff (%)	"C" Dimension (in)	Voltage (V)	Notes
1	0.75	1800	143T	<a href="#">00118ET3ECT143TF1-W2</a>	\$647	L1	48	1.25	1.47	85.5	12.346	230/460	
		1800	143T	<a href="#">00118ET3ECT143T-W22</a>	\$647	L1	48	1.25	1.47	85.5	12.346	230/460	7
		1800	143T	<a href="#">00118ET3PCT143T-W22</a>	\$647	L1	48	1.25	3.38	85.5	12.346	200	7
		1200	143/5T	<a href="#">00112ET3ECT145TF1-W2</a>	\$728	L1	56	1.25	1.73	82.5	13.358	230/460	
		1200	143/5T	<a href="#">00112ET3ECT145T-W22</a>	\$728	L1	58	1.25	1.73	82.5	13.358	230/460	7
		1200	143/5T	<a href="#">00112ET3PCT145TF1-W2</a>	\$728	L1	56	1.25	3.98	82.5	13.358	200	
		1200	143/5T	<a href="#">00112ET3PCT145T-W22</a>	\$728	L1	58	1.25	3.98	82.5	13.358	200	7
1.5	1.1	1800	143/5T	<a href="#">00158ET3ECT145TF1-W2</a>	\$676	L1	56	1.25	2.02	86.5	13.358	230/460	
		1800	143/5T	<a href="#">00158ET3ECT145T-W22</a>	\$676	L1	56	1.25	2.02	86.5	13.358	230/460	7
		1800	143/5T	<a href="#">00158ET3PCT145TF1-W2</a>	\$676	L1	56	1.25	4.65	86.5	13.358	200	
		1800	143/5T	<a href="#">00158ET3PCT145T-W22</a>	\$676	L1	56	1.25	4.65	86.5	13.358	200	7
		1200	182T	<a href="#">00152ET3ECT182T-W22</a>	\$903	L1	98	1.25	2.54	87.5	14.860	230/460	7
		1200	182T	<a href="#">00152ET3PCT182T-W22</a>	\$903	L1	79	1.25	5.84	87.5	14.860	200	7
2	1.5	1800	143/5T	<a href="#">00218ET3ECT145TF1-W2</a>	\$752	L1	58	1.25	2.76	86.5	13.358	230/460	
		1800	143/5T	<a href="#">00218ET3ECT145T-W22</a>	\$752	L1	58	1.25	2.76	86.5	13.358	230/460	7
		1800	143/5T	<a href="#">00218ET3HCT145T-W22</a>	\$752	L1	58	1.25	2.21	86.5	13.358	575	7
		1800	143/5T	<a href="#">00218ET3PCT145TF1-W2</a>	\$752	L1	58	1.25	6.35	86.5	13.358	200	7
		1800	143/5T	<a href="#">00218ET3PCT145T-W22</a>	\$752	L1	58	1.25	6.35	86.5	13.358	200	7,51
		1200	182/4T	<a href="#">00212ET3ECT184T-W22</a>	\$981	L1	107	1.25	3.23	88.5	15.860	230/460	7
		1200	182/4T	<a href="#">00212ET3PCT184T-W22</a>	\$981	L1	97	1.25	7.43	88.5	15.860	200	
3	2.2	1800	182T	<a href="#">00318ET3ECT182TF1-W2</a>	\$781	L1	96	1.25	3.91	89.5	14.860	230/460	
		1800	182T	<a href="#">00318ET3ECT182T-W22</a>	\$781	L1	96	1.25	3.91	89.5	14.860	230/460	7
		1800	182T	<a href="#">00318ET3HCT182TF1-W2</a>	\$781	L1	95	1.25	3.13	89.5	14.860	575	
		1800	182T	<a href="#">00318ET3HCT182T-W22</a>	\$781	L1	95	1.25	3.13	89.5	14.860	575	7
		1800	182T	<a href="#">00318ET3PCT182TF1-W2</a>	\$781	L1	96	1.25	8.99	89.5	14.860	200	
		1800	182T	<a href="#">00318ET3PCT182T-W22</a>	\$781	L1	96	1.25	8.99	89.5	14.860	200	7
		1200	213T	<a href="#">00312ET3ECT213T-W22</a>	\$1,329	L1	158	1.25	4.41	89.5	18.021	230/460	7
		1200	213T	<a href="#">00312ET3HCT213T-W22</a>	\$1,329	L1	152	1.25	3.53	89.5	19.517	575	7
1200	213T	<a href="#">00312ET3PCT213T-W22</a>	\$1,329	L1	159	1.25	10.1	89.5	18.021	200	7		
5	3.7	1800	182/4T	<a href="#">00518ET3ECT184TF1-W2</a>	\$894	L1	108	1.25	6.45	89.5	15.860	230/460	
		1800	182/4T	<a href="#">00518ET3ECT184T-W22</a>	\$894	L1	108	1.25	6.45	89.5	15.860	230/460	7
		1800	182/4T	<a href="#">00518ET3HCT184TF1-W2</a>	\$894	L1	108	1.25	5.16	89.5	15.860	575	
		1800	182/4T	<a href="#">00518ET3HCT184T-W22</a>	\$894	L1	108	1.25	5.16	89.5	15.860	575	7
		1800	182/4T	<a href="#">00518ET3PCT184TF1-W2</a>	\$894	L1	108	1.25	14.8	89.5	15.860	200	
		1800	182/4T	<a href="#">00518ET3PCT184T-W22</a>	\$894	L1	108	1.25	14.8	89.5	15.860	200	7
		1200	213/5T	<a href="#">00512ET3ECT215TF1-W2</a>	\$1,517	L1	175	1.25	6.83	89.5	19.517	230/460	
		1200	213/5T	<a href="#">00512ET3ECT215T-W22</a>	\$1,517	L1	183	1.25	6.83	89.5	19.517	230/460	7
		1200	213/5T	<a href="#">00512ET3HCT215T-W22</a>	\$1,517	L1	175	1.25	5.46	89.5	19.517	575	7
		1200	213/5T	<a href="#">00512ET3PCT215T-W22</a>	\$1,517	L1	184	1.25	15.7	89.5	19.517	200	7

continued on next page



### TEFC - Three-Phase - Foot Mount - NEMA Premium® - continued

HP	kW	RPM	Frame	Catalog Number	List Price	Mult. Symbol	Approx. Shipping Weight (lbs)	Service Factor	FL Amps @ High	FL Eff (%)	"C" Dimension (in)	Voltage (V)	Notes
7.5	5.5	1800	213T	<a href="#">00718ET3ECT213TF1-W2</a>	\$1,293	L1	171	1.25	9.18	91.7	18.021	230/460	
		1800	213T	<a href="#">00718ET3ECT213T-W22</a>	\$1,293	L1	171	1.25	9.18	91.7	18.021	230/460	7
		1800	213T	<a href="#">00718ET3HCT213TF1-W2</a>	\$1,293	L1	170	1.25	7.34	91.7	18.021	575	
		1800	213T	<a href="#">00718ET3HCT213T-W22</a>	\$1,293	L1	170	1.25	7.34	91.7	18.021	575	7
		1800	213T	<a href="#">00718ET3PCT213TF1-W2</a>	\$1,293	L1	171	1.25	21.1	91.7	18.021	200	
		1800	213T	<a href="#">00718ET3PCT213T-W22</a>	\$1,293	L1	171	1.25	21.1	91.7	18.021	200	7
		1200	254T	<a href="#">00712ET3ECT254T-W22</a>	\$2,433	L1	311	1.25	9.48	91.0	23.213	230/460	7
		1200	254T	<a href="#">00712ET3HCT254T-W22</a>	\$2,433	L1	299	1.25	7.58	91.0	23.213	575	7
		1200	254T	<a href="#">00712ET3PCT254T-W22</a>	\$2,433	L1	311	1.25	21.8	91.0	23.213	200	7
10	7.5	1800	213/5T	<a href="#">01018ET3ECT215TF1-W2</a>	\$1,475	L1	192	1.25	12.4	91.7	19.517	230/460	
		1800	213/5T	<a href="#">01018ET3ECT215T-W22</a>	\$1,475	L1	192	1.25	12.4	91.7	19.517	230/460	7
		1800	213/5T	<a href="#">01018ET3HCT215TF1-W2</a>	\$1,475	L1	192	1.25	9.92	91.7	19.517	575	
		1800	213/5T	<a href="#">01018ET3HCT215T-W22</a>	\$1,475	L1	192	1.25	9.92	91.7	19.517	575	7
		1800	213/5T	<a href="#">01018ET3PCT215TF1-W2</a>	\$1,475	L1	192	1.25	28.5	91.7	19.517	200	
		1800	213/5T	<a href="#">01018ET3PCT215T-W22</a>	\$1,475	L1	192	1.25	28.5	91.7	19.517	200	7
		1200	254/6T	<a href="#">01012ET3ECT256TF1-W2</a>	\$2,751	L1	331	1.25	12.9	91.0	24.945	230/460	
		1200	254/6T	<a href="#">01012ET3ECT256T-W22</a>	\$2,751	L1	331	1.25	12.9	91.0	24.945	230/460	7
		1200	254/6T	<a href="#">01012ET3HCT256T-W22</a>	\$2,751	L1	343	1.25	10.3	91.0	24.945	575	7,51
1200	254/6T	<a href="#">01012ET3PCT256T-W22</a>	\$2,751	L1	331	1.25	29.7	91.0	24.945	200	7		
15	11	1800	254T	<a href="#">01518ET3ECT254TF1-W2</a>	\$2,122	L1	341	1.25	18.0	92.4	23.213	230/460	
		1800	254T	<a href="#">01518ET3ECT254T-W22</a>	\$2,122	L1	341	1.25	18.0	92.4	23.213	230/460	7
		1800	254T	<a href="#">01518ET3HCT254TF1-W2</a>	\$2,122	L1	341	1.25	14.4	92.4	23.213	575	
		1800	254T	<a href="#">01518ET3HCT254T-W22</a>	\$2,122	L1	341	1.25	14.4	92.4	23.213	575	7
		1800	254T	<a href="#">01518ET3PCT254TF1-W2</a>	\$2,122	L1	342	1.25	41.4	92.4	23.213	200	
		1800	254T	<a href="#">01518ET3PCT254T-W22</a>	\$2,122	L1	342	1.25	41.4	92.4	23.213	200	7
		1200	284T	<a href="#">01512ET3ECT284T-W22</a>	\$3,850	L1	422	1.25	17.9	91.7	26.433	230/460	7
		1200	284T	<a href="#">01512ET3PCT284T-W22</a>	\$3,850	L1	423	1.25	41.2	91.7	26.433	200	7
20	15	1800	254/6T	<a href="#">02018ET3ECT256TF1-W2</a>	\$2,549	L1	403	1.25	24.1	93.0	24.945	230/460	
		1800	254/6T	<a href="#">02018ET3ECT256T-W22</a>	\$2,549	L1	387	1.25	24.1	93.0	24.945	230/460	7
		1800	254/6T	<a href="#">02018ET3HCT256TF1-W2</a>	\$2,549	L1	402	1.25	19.3	93.0	24.945	575	
		1800	254/6T	<a href="#">02018ET3HCT256T-W22</a>	\$2,549	L1	402	1.25	19.3	93.0	24.945	575	7
		1800	254/6T	<a href="#">02018ET3PCT256TF1-W2</a>	\$2,549	L1	403	1.25	55.4	93.0	24.945	200	
		1800	254/6T	<a href="#">02018ET3PCT256T-W22</a>	\$2,549	L1	403	1.25	55.4	93.0	24.945	200	7
		1200	284/6T	<a href="#">02012ET3ECT286T-W22</a>	\$4,635	L1	461	1.25	24.2	91.7	27.929	230/460	7
		1200	284/6T	<a href="#">02012ET3PCT286T-W22</a>	\$4,635	L1	503	1.25	55.7	91.7	27.929	200	7
25	18.5	1800	284T	<a href="#">02518ET3ECT284TF1-W2</a>	\$3,236	L1	441	1.25	29.5	93.6	26.433	230/460	
		1800	284T	<a href="#">02518ET3ECT284T-W22</a>	\$3,236	L1	441	1.25	29.5	93.6	26.433	230/460	7
		1800	284T	<a href="#">02518ET3HCT284TF1-W2</a>	\$3,236	L1	439	1.25	23.6	93.6	26.433	575	
		1800	284T	<a href="#">02518ET3HCT284T-W22</a>	\$3,236	L1	439	1.25	23.6	93.6	26.433	575	7
		1800	284T	<a href="#">02518ET3PCT284TF1-W2</a>	\$3,236	L1	440	1.25	67.9	93.6	26.433	200	
		1800	284T	<a href="#">02518ET3PCT284T-W22</a>	\$3,236	L1	440	1.25	67.9	93.6	26.433	200	7
		1200	324T	<a href="#">02512ET3ECT324T-W22</a>	\$5,543	L1	575	1.25	30.4	93.0	29.620	230/460	7
		1200	324T	<a href="#">02512ET3PCT324T-W22</a>	\$5,543	L1	574	1.25	69.9	93.0	29.620	200	7

continued on next page

Please refer to back cover for description of "NOTES"

For detailed specifications, data sheets, drawings and performance curves visit <http://www.weg.net>

Data subject to change without notice.

Can't find what you are looking for? Call 1-800-ASK-4WEG (275-4934)

## COOLING TOWER MOTORS - THREE-PHASE

### TEFC - Three-Phase - Foot Mount - NEMA Premium® - continued

HP	kW	RPM	Frame	Catalog Number	List Price	Mult. Symbol	Approx. Shipping Weight (lbs)	Service Factor	FL Amps @ High	FL. Eff (%)	"C" Dimension (in)	Voltage (V)	Notes
30	22	1800	284/6T	<a href="#">03018ET3ECT286TF1-W2</a>	\$3,738	L1	490	1.25	35.1	93.6	27.929	230/460	
		1800	284/6T	<a href="#">03018ET3ECT286T-W22</a>	\$3,738	L1	490	1.25	35.1	93.6	27.929	230/460	7
		1800	284/6T	<a href="#">03018ET3HCT286TF1-W2</a>	\$3,738	L1	489	1.25	28.1	93.6	27.929	575	
		1800	284/6T	<a href="#">03018ET3HCT286T-W22</a>	\$3,738	L1	489	1.25	28.1	93.6	27.929	575	7
		1800	284/6T	<a href="#">03018ET3PCT286TF1-W2</a>	\$3,738	L1	491	1.25	80.7	93.6	27.929	200	
		1800	284/6T	<a href="#">03018ET3PCT286T-W22</a>	\$3,738	L1	491	1.25	80.7	93.6	27.929	200	7
		1200	324/6T	<a href="#">03012ET3ECT326T-W22</a>	\$6,064	L1	673	1.25	36.2	93.0	31.116	230/460	7
		1200	324/6T	<a href="#">03012ET3PCT326T-W22</a>	\$6,064	L1	634	1.25	83.3	93.0	31.116	200	7
40	30	1800	324T	<a href="#">04018ET3ECT324TF1-W2</a>	\$4,805	L1	605	1.25	47.1	94.1	29.620	230/460	
		1800	324T	<a href="#">04018ET3ECT324T-W22</a>	\$4,805	L1	605	1.25	47.1	94.1	29.620	230/460	7
		1800	324T	<a href="#">04018ET3HCT324TF1-W2</a>	\$4,805	L1	603	1.25	37.7	94.1	29.620	575	
		1800	324T	<a href="#">04018ET3HCT324T-W22</a>	\$4,805	L1	603	1.25	37.7	94.1	29.620	575	7
		1800	324T	<a href="#">04018ET3PCT324TF1-W2</a>	\$4,805	L1	606	1.25	108	94.1	29.620	200	
		1800	324T	<a href="#">04018ET3PCT324T-W22</a>	\$4,805	L1	606	1.25	108	94.1	29.620	200	7
		1200	364/5T	<a href="#">04012ET3ECT364T-W22</a>	\$8,376	L1	1003	1.25	46.5	94.1	34.251	230/460	7
		1200	364/5T	<a href="#">04012ET3PCT364T-W22</a>	\$8,376	L1	1076	1.25	107	94.1	34.251	200	7
50	37	1800	324/6T	<a href="#">05018ET3ECT326TF1-W2</a>	\$5,865	L1	644	1.25	59.2	94.5	31.116	230/460	
		1800	324/6T	<a href="#">05018ET3ECT326T-W22</a>	\$5,865	L1	643	1.25	59.2	94.5	31.116	230/460	7
		1800	324/6T	<a href="#">05018ET3HCT326TF1-W2</a>	\$5,865	L1	644	1.25	47.4	94.5	31.116	575	
		1800	324/6T	<a href="#">05018ET3HCT326T-W22</a>	\$5,865	L1	644	1.25	47.4	94.5	31.116	575	7,51
		1800	324/6T	<a href="#">05018ET3PCT326T-W22</a>	\$5,865	L1	662	1.25	136	94.5	31.116	200	7
		1200	364/5T	<a href="#">05012ET3ECT365T-W22</a>	\$9,625	L1	1020	1.25	57.4	94.1	34.251	230/460	7
		1200	364/5T	<a href="#">05012ET3PCT365T-W22</a>	\$9,625	L1	1127	1.25	132	94.1	34.251	200	7
		60	45	1800	364/5T	<a href="#">06018ET3ECT364TF1-W2</a>	\$8,497	L1	1009	1.25	68.3	95.0	34.251
1800	364/5T			<a href="#">06018ET3ECT364T-W22</a>	\$8,497	L1	1029	1.25	68.3	95.0	34.251	230/460	7
1800	364/5T			<a href="#">06018ET3HCT364TF1-W2</a>	\$8,497	L1	1009	1.25	54.6	95.0	34.251	575	
1800	364/5T			<a href="#">06018ET3HCT364T-W22</a>	\$8,497	L1	1009	1.25	54.6	95.0	34.251	575	7
1800	364/5T			<a href="#">06018ET3PCT364T-W22</a>	\$8,497	L1	1036	1.25	157	95.0	34.251	200	7,51
1200	404/5T			<a href="#">06012ET3ECT404T-W22</a>	\$11,861	L1	1272	1.25	69.5	94.5	39.730	230/460	7
1200	404/5T			<a href="#">06012ET3PCT404T-W22</a>	\$11,861	L1	1346	1.25	160	94.5	39.730	200	7
75	55			1800	364/5T	<a href="#">07518ET3ECT365TF1-W2</a>	\$9,924	L1	1007	1.25	84.1	95.4	34.251
		1800	364/5T	<a href="#">07518ET3ECT365T-W22</a>	\$9,924	L1	1046	1.25	84.1	95.4	34.251	230/460	7
		1800	364/5T	<a href="#">07518ET3HCT365T-W22</a>	\$9,924	L1	1007	1.25	67.3	95.4	34.251	575	7,51
		1800	364/5T	<a href="#">07518ET3PCT365T-W22</a>	\$9,924	L1	1047	1.25	193	95.4	34.251	200	7
		1200	404/5T	<a href="#">07512ET3ECT405T-W22</a>	\$13,626	L1	1243	1.25	84.9	94.5	39.730	230/460	7
		1200	404/5T	<a href="#">07512ET3PCT405T-W22</a>	\$13,626	L1	1478	1.25	195	94.5	39.730	200	7
100	75	1800	404/5T	<a href="#">10018ET3ECT405T-W22</a>	\$13,092	L1	1303	1.25	111	95.4	39.730	230/460	7
		1800	404/5T	<a href="#">10018ET3PCT405T-W22</a>	\$13,092	L1	1302	1.25	255	95.4	39.730	200	7
		1200	444/5T	<a href="#">10012ET3ECT444T-W22</a>	\$17,194	L1	2006	1.25	121	95.0	44.950	230/460	7
		1200	444/5T	<a href="#">10012ET3PCT444T-W22</a>	\$17,194	L1	2006	1.25	278	95.0	44.950	200	7

Please refer to back cover for description of "NOTES"

 For detailed specifications, data sheets, drawings and performance curves visit <http://www.weg.net>





### TEAO - Three-Phase - Foot Mount - NEMA Premium®

HP	KW	RPM	Frame	Catalog Number	List Price	Mult. Symbol	Approx. Shipping Weight (lbs)	Service Factor	FL Amps @ High	FL. Eff (%)	"C" Dimension (in)	Voltage (V)	Notes
1	0.75	1800	143T	<a href="#">00118AT3PCT143T-W22</a>	\$666	L1	54	1.25	3.38	85.5	12.353	200	7
1.5	1.1	1800	143/5T	<a href="#">00158AT3PCT145T-W22</a>	\$696	L1	56	1.25	4.65	86.5	13.338	200	7
2	1.5	1800	143/5T	<a href="#">00218AT3ECT145TF1-W2</a>	\$775	L1	58	1.25	2.76	86.5	13.338	230/460	
		1800	143/5T	<a href="#">00218AT3ECT145T-W22</a>	\$775	L1	58	1.25	2.76	86.5	13.338	230/460	7
		1800	143/5T	<a href="#">00218AT3PCT145T-W22</a>	\$775	L1	58	1.25	6.35	86.5	13.338	200	7
		1200	182/4T	<a href="#">00212AT3ECT184TF1-W2</a>	\$1,010	L1	105	1.25	3.23	88.5	15.298	230/460	
		1200	182/4T	<a href="#">00212AT3ECT184T-W22</a>	\$1,010	L1	97	1.25	3.23	88.5	15.298	230/460	
		1200	182/4T	<a href="#">00212AT3HCT184TF1-W2</a>	\$1,010	L1	97	1.25	2.58	88.5	15.298	575	
		1200	182/4T	<a href="#">00212AT3HCT184T-W22</a>	\$1,010	L1	97	1.25	2.58	88.5	15.298	575	7
		1200	182/4T	<a href="#">00212AT3PCT184TF1-W2</a>	\$1,010	L1	106	1.25	7.43	88.5	15.298	200	
		1200	182/4T	<a href="#">00212AT3PCT184T-W22</a>	\$1,010	L1	97	1.25	7.43	88.5	15.298	200	7,51
3	2.2	1800	182T	<a href="#">00318AT3ECT182TF1-W2</a>	\$804	L1	94	1.25	3.91	89.5	14.298	230/460	
		1800	182T	<a href="#">00318AT3ECT182T-W22</a>	\$804	L1	94	1.25	3.91	89.5	14.298	230/460	7
		1800	182T	<a href="#">00318AT3HCT182T-W22</a>	\$804	L1	96	1.25	3.13	89.5	14.298	575	7
		1800	182T	<a href="#">00318AT3PCT182TF1-W2</a>	\$804	L1	99	1.25	8.99	89.5	14.298	200	
		1800	182T	<a href="#">00318AT3PCT182T-W22</a>	\$804	L1	94	1.25	8.99	89.5	14.298	200	7
		1200	213T	<a href="#">00312AT3ECT213TF1-W2</a>	\$1,369	L1	157	1.25	4.41	89.5	17.239	230/460	
		1200	213T	<a href="#">00312AT3ECT213T-W22</a>	\$1,369	L1	134	1.25	4.41	89.5	17.239	230/460	7
		1200	213T	<a href="#">00312AT3HCT213T-W22</a>	\$1,369	L1	134	1.25	3.53	89.5	17.239	575	7
		1200	213T	<a href="#">00312AT3PCT213TF1-W2</a>	\$1,369	L1	159	1.25	10.1	89.5	17.239	200	
5	3.7	1800	182/4T	<a href="#">00518AT3ECT184TF1-W2</a>	\$921	L1	107	1.25	6.45	89.5	15.298	230/460	
		1800	182/4T	<a href="#">00518AT3ECT184T-W22</a>	\$921	L1	107	1.25	6.45	89.5	15.298	230/460	7
		1800	182/4T	<a href="#">00518AT3HCT184TF1-W2</a>	\$921	L1	107	1.25	5.16	89.5	15.298	575	
		1800	182/4T	<a href="#">00518AT3HCT184T-W22</a>	\$921	L1	104	1.25	5.16	89.5	15.298	575	7
		1800	182/4T	<a href="#">00518AT3PCT184TF1-W2</a>	\$921	L1	107	1.25	14.8	89.5	15.298	200	
		1800	182/4T	<a href="#">00518AT3PCT184T-W22</a>	\$921	L1	107	1.25	14.8	89.5	15.298	200	7
		1200	213/5T	<a href="#">00512AT3ECT215TF1-W2</a>	\$1,563	L1	182	1.25	6.83	89.5	18.739	230/460	
		1200	213/5T	<a href="#">00512AT3ECT215T-W22</a>	\$1,563	L1	175	1.25	6.83	89.5	18.739	230/460	7
		1200	213/5T	<a href="#">00512AT3HCT215TF1-W2</a>	\$1,563	L1	175	1.25	5.46	89.5	18.739	575	
		1200	213/5T	<a href="#">00512AT3HCT215T-W22</a>	\$1,563	L1	175	1.25	5.46	89.5	18.739	575	7
		1200	213/5T	<a href="#">00512AT3PCT215TF1-W2</a>	\$1,563	L1	183	1.25	15.7	89.5	18.739	200	
7.5	5.5	1800	213T	<a href="#">00718AT3ECT213TF1-W2</a>	\$1,332	L1	170	1.25	9.18	91.7	17.239	230/460	
		1800	213T	<a href="#">00718AT3ECT213T-W22</a>	\$1,332	L1	170	1.25	9.18	91.7	17.239	230/460	7
		1800	213T	<a href="#">00718AT3HCT213TF1-W2</a>	\$1,332	L1	169	1.25	7.34	91.7	17.239	575	
		1800	213T	<a href="#">00718AT3HCT213T-W22</a>	\$1,332	L1	169	1.25	7.34	91.7	17.239	575	7
		1800	213T	<a href="#">00718AT3PCT213TF1-W2</a>	\$1,332	L1	170	1.25	21.1	91.7	17.239	200	
		1800	213T	<a href="#">00718AT3PCT213T-W22</a>	\$1,332	L1	170	1.25	21.1	91.7	17.239	200	7
		1200	254T	<a href="#">00712AT3ECT254TF1-W2</a>	\$2,506	L1	297	1.25	9.48	91.0	21.594	230/460	
1200	254T	<a href="#">00712AT3PCT254TF1-W2</a>	\$2,506	L1	299	1.25	21.8	91.0	21.594	200			

continued on next page

Please refer to back cover for description of "NOTES"

For detailed specifications, data sheets, drawings and performance curves visit <http://www.weg.net>

Data subject to change without notice.

Can't find what you are looking for? Call 1-800-ASK-4WEG (275-4934)

## COOLING TOWER MOTORS - THREE-PHASE

### TEAO - Three-Phase - Foot Mount - NEMA Premium® - continued

HP	kW	RPM	Frame	Catalog Number	List Price	Mult. Symbol	Approx. Shipping Weight (lbs)	Service Factor	FL Amps @ High	FL. Eff (%)	"C" Dimension (in)	Voltage (V)	Notes		
10	7.5	1800	213/5T	01018AT3ECT215TF1-W2	\$1,519	L1	192	1.25	12.4	91.7	18.739	230/460			
		1800	213/5T	01018AT3ECT215T-W22	\$1,519	L1	192	1.25	12.4	91.7	18.739	230/460	7		
		1800	213/5T	01018AT3HCT215TF1-W2	\$1,519	L1	191	1.25	9.92	91.7	18.739	575			
		1800	213/5T	01018AT3HCT215T-W22	\$1,519	L1	191	1.25	9.92	91.7	18.739	575	7		
		1800	213/5T	01018AT3PCT215TF1-W2	\$1,519	L1	191	1.25	28.5	91.7	18.739	200			
		1800	213/5T	01018AT3PCT215T-W22	\$1,519	L1	191	1.25	28.5	91.7	18.739	200	7		
		1200	254/6T	01012AT3ECT256TF1-W2	\$2,919	L1	317	1.25	12.9	91.0	23.343	230/460			
		1200	254/6T	01012AT3PCT256TF1-W2	\$2,919	L1	333	1.25	29.7	91.0	23.343	200	7		
15	11	1800	254T	01518AT3ECT254TF1-W2	\$2,186	L1	327	1.25	18.0	92.4	21.594	230/460			
		1800	254T	01518AT3ECT254T-W22	\$2,186	L1	327	1.25	18.0	92.4	21.594	230/460	7		
		1800	254T	01518AT3HCT254TF1-W2	\$2,186	L1	327	1.25	14.4	92.4	21.594	575			
		1800	254T	01518AT3HCT254T-W22	\$2,186	L1	327	1.25	14.4	92.4	21.594	575	7		
		1800	254T	01518AT3PCT254TF1-W2	\$2,186	L1	328	1.25	41.4	92.4	21.594	200			
		1800	254T	01518AT3PCT254T-W22	\$2,186	L1	328	1.25	41.4	92.4	21.594	200	7		
		1200	284T	01512AT3ECT284TF1-W2	\$3,965	L1	420	1.25	17.9	91.7	25.418	230/460			
		1800	254/6T	02018AT3ECT256TF1-W2	\$2,625	L1	389	1.25	24.1	93.0	23.343	230/460			
20	15	1800	254/6T	02018AT3ECT256T-W22	\$2,625	L1	389	1.25	24.1	93.0	23.343	230/460	7		
		1800	254/6T	02018AT3HCT256TF1-W2	\$2,625	L1	388	1.25	19.3	93.0	23.343	575			
		1800	254/6T	02018AT3HCT256T-W22	\$2,625	L1	388	1.25	19.3	93.0	23.343	575	7		
		1800	254/6T	02018AT3PCT256TF1-W2	\$2,625	L1	389	1.25	55.4	93.0	23.343	200			
		1800	254/6T	02018AT3PCT256T-W22	\$2,625	L1	389	1.25	55.4	93.0	23.343	200	7		
		1200	284/6T	02012AT3ECT286TF1-W2	\$4,576	L1	443	1.25	24.2	91.7	26.918	230/460			
		1800	284T	02518AT3ECT284TF1-W2	\$3,333	L1	423	1.25	29.5	93.6	25.418	230/460			
		1800	284T	02518AT3ECT284T-W22	\$3,333	L1	423	1.25	29.5	93.6	25.418	230/460	7		
25	18.5	1800	284T	02518AT3HCT284TF1-W2	\$3,333	L1	422	1.25	23.6	93.6	25.418	575			
		1800	284T	02518AT3HCT284T-W22	\$3,333	L1	422	1.25	23.6	93.6	25.418	575	7		
		1800	284T	02518AT3PCT284TF1-W2	\$3,333	L1	422	1.25	67.9	93.6	25.418	200			
		1800	284T	02518AT3PCT284T-W22	\$3,333	L1	422	1.25	67.9	93.6	25.418	200	7		
		1200	324T	02512AT3ECT324TF1-W2	\$5,709	L1	555	1.25	30.4	93.0	28.575	230/460			
		1200	324T	02512AT3HCT324TF1-W2	\$5,709	L1	605	1.25	24.3	93.0	28.575	575			
		1800	284/6T	03018AT3ECT286TF1-W2	\$3,850	L1	473	1.25	35.1	93.6	26.918	230/460			
		1800	284/6T	03018AT3ECT286T-W22	\$3,850	L1	473	1.25	35.1	93.6	26.918	230/460	7		
30	22	1800	284/6T	03018AT3HCT286TF1-W2	\$3,850	L1	471	1.25	28.1	93.6	26.918	575			
		1800	284/6T	03018AT3HCT286T-W22	\$3,850	L1	469	1.25	28.1	93.6	26.918	575	7		
		1800	284/6T	03018AT3PCT286TF1-W2	\$3,850	L1	473	1.25	80.7	93.6	26.918	200			
		1800	284/6T	03018AT3PCT286T-W22	\$3,850	L1	473	1.25	80.7	93.6	26.918	200	7		
		1200	324/6T	03012AT3PCT326TF1-W2	\$6,246	L1	673	1.25	83.3	93.0	30.071	200			
		1800	324T	04018AT3ECT324TF1-W2	\$4,949	L1	586	1.25	47.1	94.1	28.575	230/460			
		1800	324T	04018AT3ECT324T-W22	\$4,949	L1	586	1.25	47.1	94.1	28.575	230/460	7		
		1800	324T	04018AT3HCT324TF1-W2	\$4,949	L1	584	1.25	37.7	94.1	28.575	575			
40	30	1800	324T	04018AT3HCT324T-W22	\$4,949	L1	580	1.25	37.7	94.1	28.575	575	7		
		1800	324T	04018AT3PCT324TF1-W2	\$4,949	L1	576	1.25	108	94.1	28.575	200			
		1800	324T	04018AT3PCT324T-W22	\$4,949	L1	581	1.25	108	94.1	28.575	200	7		
		1800	324/6T	05018AT3ECT326T-W22	\$6,041	L1	662	1.25	59.2	94.5	30.071	230/460	7		
		1800	324/6T	05018AT3HCT326T-W22	\$6,041	L1	662	1.25	47.3	94.5	30.071	575	7		
		1800	324/6T	05018AT3PCT326T-W22	\$6,041	L1	662	1.25	136	94.5	30.071	200	7		
		60	45	1800	364/5T	06018AT3ECT364T-W22	\$8,752	L1	1036	1.25	68.3	95.0	29.390	230/460	7
		75	55	1800	364/5T	07518AT3ECT365T-W22	\$10,222	L1	1047	1.25	84.1	95.4	29.390	230/460	7
100	75	1800	404/5T	10018AT3ECT405TF1-W2	11412	L1	1268	1.25	87.2	95.4	36.417	230/460			
		1800	404/5T	10018AT3ECT405T-W22	11412	L1	1268	1.25	87.2	95.4	36.417	230/460	7		

Please refer to back cover for description of "NOTES"

For detailed specifications, data sheets, drawings and performance curves visit <http://www.weg.net>



### TEFC - Dual Speed (1 & 2 Windings) - High Efficiency

HP	kW	RPM	Frame	Catalog Number	List Price	Mult. Symbol	Approx. Shipping Weight (lbs)	Service Factor	FL Amps @ High	FL. Eff (%)	"C" Dimension (in)	Voltage (V)	Notes
2/0.50	1.5/0.37	1800/900	143/5T	00289EP3PCT145VF1-W2	\$929	H1	53	1.25	6.40	82.5	13.358	200	23;30
		1800/900	143/5T	00289EP3PCT145V-W22	\$929	H1	56	1.25	6.40	82.5	13.358	200	7;23;30
		1200/600	213T	00226EP3QCT213VF1-W2	\$2,021	H1	53	1.15	3.35	84.0	18.021	460	23;30
		1200/600	213T	00226EP3QCT213V-W22	\$2,021	H1	53	1.15	3.35	84.0	18.021	460	7;23;30
3/0.75	2.2/0.55	1800/900	182T	00389EP3QCT182VF1-W2	\$1,369	H1	100	1.25	3.99	87.5	14.860	460	23;30
		1800/900	182T	00389EP3QCT182V-W22	\$1,369	H1	94	1.25	3.99	87.5	14.860	460	7;23;30
		1800/900	182T	00389EP3PCT182VF1-W2	\$1,369	H1	95	1.25	9.18	87.5	14.860	200	23;30
		1800/900	182T	00389EP3PCT182V-W22	\$1,369	H1	100	1.25	9.18	87.5	14.860	200	7;23;30
		1200/600	213/5T	00326EP3QCT215V-W22	\$2,125	H1	100	1.15	4.11	84.0	19.517	460	7;23;30
5/1.25	3.7/0.92	1800/900	182/4T	00589EP3QCT184VF1-W2	\$1,471	H1	105	1.25	6.63	87.5	15.860	460	23;30
		1800/900	182/4T	00589EP3QCT184V-W22	\$1,471	H1	104	1.25	6.63	87.5	15.860	460	7;23;30
		1800/900	182/4T	00589EP3HCT184VF1-W2	\$1,471	H1	104	1.25	5.30	87.5	15.860	575	23;30
		1800/900	182/4T	00589EP3HCT184V-W22	\$1,471	H1	104	1.25	5.30	87.5	15.860	575	7;23;30
		1800/900	182/4T	00589EP3PCT184VF1-W2	\$1,471	H1	104	1.25	15.2	87.5	15.860	200	23;30
		1800/900	182/4T	00589EP3PCT184V-W22	\$1,471	H1	104	1.25	15.2	87.5	15.860	200	7;23;30
		1800/900	213/5T	00589EP3QCT215V2F1-W	\$2,262	H1	181	1.25	6.55	88.5	19.517	460	22;30
		1800/900	213/5T	00589EP3QCT215V2-W22	\$2,262	H1	181	1.25	6.55	88.5	19.517	460	7;22;30
		1800/900	213/5T	00589EP3PCT215V2F1-W	\$2,262	H1	181	1.25	15.1	88.5	19.517	200	22;30
		1200/600	254T	00526EP3QCT254VF1-W2	\$2,424	H1	121	1.15	7.06	86.5	23.213	460	23;30
1200/600	254T	00526EP3QCT254V-W22	\$2,424	H1	121	1.15	7.06	86.5	23.213	460	7;23;30		
7.5/1.75	5.5/1.3	1800/900	213T	00789EP3QCT213VF1-W2	\$1,672	H1	168	1.25	9.51	88.5	18.021	460	23;30
		1800/900	213T	00789EP3QCT213V-W22	\$1,672	H1	168	1.25	9.51	88.5	18.021	460	7;23;30
		1800/900	213T	00789EP3HCT213V-W22	\$1,672	H1	164	1.25	7.61	88.5	18.021	575	7;23;30
		1800/900	213T	00789EP3PCT213VF1-W2	\$1,672	H1	164	1.25	21.9	88.5	18.021	200	23;30
		1800/900	213T	00789EP3PCT213V-W22	\$1,672	H1	164	1.25	21.9	88.5	18.021	200	7;23;30
		1800/900	254T	00789EP3QCT254V2F1-W	\$2,808	H1	302	1.25	9.75	88.5	23.213	460	22;30
		1800/900	254T	00789EP3QCT254V2-W22	\$2,808	H1	302	1.25	9.75	88.5	23.213	460	7;22;30
		1800/900	254T	00789EP3PCT254V2F1-W	\$2,808	H1	302	1.25	22.4	88.5	23.213	200	22;30
		1800/900	254T	00789EP3PCT254V2-W22	\$2,808	H1	302	1.25	22.4	88.5	23.213	200	7;22;30
		1200/600	254/6T	00726EP3QCT256V-W22	\$2,496	H1	181	1.15	10.1	87.5	24.945	460	7;23;30
10/2.5	7.5/1.85	1800/900	213/5T	01089EP3QCT215VF1-W2	\$1,891	H1	181	1.25	13.0	88.5	19.517	460	23;30
		1800/900	213/5T	01089EP3QCT215V-W22	\$1,891	H1	181	1.25	13.0	88.5	19.517	460	7;23;30
		1800/900	213/5T	01089EP3HCT215VF1-W2	\$1,891	H1	168	1.25	10.4	88.5	19.517	575	23;30
		1800/900	213/5T	01089EP3HCT215V-W22	\$1,891	H1	168	1.25	10.4	88.5	19.517	575	7;23;30
		1800/900	213/5T	01089EP3PCT215VF1-W2	\$1,891	H1	168	1.25	29.9	88.5	19.517	200	23;30
		1800/900	213/5T	01089EP3PCT215V-W22	\$1,891	H1	168	1.25	29.9	88.5	19.517	200	7;23;30
		1800/900	254/6T	01089EP3QCT256V2F1-W	\$3,052	H1	346	1.25	13.0	89.5	24.945	460	22;30
		1800/900	254/6T	01089EP3QCT256V2-W22	\$3,052	H1	363	1.25	13.0	89.5	24.945	460	7;22;30
		1800/900	254/6T	01089EP3PCT256V2F1-W	\$3,052	H1	346	1.25	29.9	89.5	24.945	200	22;30
		1800/900	254/6T	01089EP3PCT256V2-W22	\$3,052	H1	346	1.25	29.9	89.5	24.945	200	7;22;30
1200/600	284T	01026EP3QCT284V-W22	\$3,017	H1	377	1.15	12.2	89.5	26.433	460	7;23;30		

continued on next page

Please refer to back cover for description of "NOTES"

For detailed specifications, data sheets, drawings and performance curves visit <http://www.weg.net>

Data subject to change without notice.

Can't find what you are looking for? Call 1-800-ASK-4WEG (275-4934)

## COOLING TOWER MOTORS - THREE-PHASE

### TEFC - Dual Speed (1 & 2 Windings) - High Efficiency - *continued*

HP	kW	RPM	Frame	Catalog Number	List Price	Mult. Symbol	Approx. Shipping Weight (lbs)	Service Factor	FL Amps @ High	FL Eff (%)	"C" Dimension (in)	Voltage (V)	Notes
15/3.75	11/2.8	1800/900	254T	01589EP3QCT254VF1-W2	\$2,572	H1	324	1.25	19.0	89.5	23.213	460	23;30
		1800/900	254T	01589EP3QCT254V-W22	\$2,572	H1	324	1.25	19.0	89.5	23.213	460	7;23;30
		1800/900	254T	01589EP3HCT254VF1-W2	\$2,572	H1	324	1.25	15.2	89.5	23.213	575	23;30
		1800/900	254T	01589EP3HCT254V-W22	\$2,572	H1	288	1.25	15.2	89.5	23.213	575	7;23;30
		1800/900	254T	01589EP3PCT254VF1-W2	\$2,572	H1	288	1.25	43.8	89.5	23.213	200	23;30
		1800/900	254T	01589EP3PCT254V-W22	\$2,572	H1	288	1.25	43.8	89.5	23.213	200	7;23;30
		1800/900	284T	01589EP3QCT284V2F1-W	\$3,878	H1	439	1.25	18.7	90.2	26.433	460	22;30
		1800/900	284T	01589EP3QCT284V2-W22	\$3,878	H1	435	1.25	18.7	90.2	26.433	460	7;22;30
		1800/900	284T	01589EP3PCT284V2F1-W	\$3,878	H1	435	1.25	43.0	90.2	26.433	200	22;30
		1800/900	284T	01589EP3PCT284V2-W22	\$3,878	H1	435	1.25	43.0	90.2	26.433	200	7;22;30
		1200/600	284/6T	01526EP3QCT286VF1-W2	\$3,274	H1	271	1.15	18.0	90.2	27.929	460	23;30
		1200/600	284/6T	01526EP3QCT286V-W22	\$3,274	H1	271	1.15	18.0	90.2	27.929	460	7;23;30
		1200/600	284/6T	01526EP3HCT286VF1-W2	\$3,274	H1	271	1.15	14.4	90.2	27.929	575	23;30
		1200/600	284/6T	01526EP3HCT286V-W22	\$3,274	H1	271	1.15	14.4	90.2	27.929	575	7;23;30
		1200/600	284/6T	01526EP3PCT286VF1-W2	\$3,274	H1	271	1.15	41.4	90.2	27.929	200	23;30
		1200/600	284/6T	01526EP3PCT286V-W22	\$3,274	H1	271	1.15	41.4	90.2	27.929	200	7;23;30
20/5	15/3.7	1800/900	254/6T	02089EP3QCT256VF1-W2	\$2,923	H1	360	1.25	26.1	90.2	24.945	460	23;30
		1800/900	254/6T	02089EP3QCT256V-W22	\$2,923	H1	360	1.25	26.1	90.2	24.945	460	7;23;30
		1800/900	254/6T	02089EP3HCT256VF1-W2	\$2,923	H1	335	1.25	20.9	90.2	24.945	575	23;30
		1800/900	254/6T	02089EP3HCT256V-W22	\$2,923	H1	335	1.25	20.9	90.2	24.945	575	7;23;30
		1800/900	254/6T	02089EP3PCT256VF1-W2	\$2,923	H1	362	1.25	60.0	90.2	24.945	200	23;30
		1800/900	254/6T	02089EP3PCT256V-W22	\$2,923	H1	335	1.25	60.0	90.2	24.945	200	7;23;30
		1800/900	284/6T	02089EP3QCT286V2F1-W	\$4,827	H1	503	1.25	24.9	91.0	27.929	460	22;30
		1800/900	284/6T	02089EP3QCT286V2-W22	\$4,827	H1	503	1.25	24.9	91.0	27.929	460	7;22;30
		1800/900	284/6T	02089EP3PCT286V2F1-W	\$4,827	H1	512	1.25	57.3	91.0	27.929	200	22;30
		1800/900	284/6T	02089EP3PCT286V2-W22	\$4,827	H1	512	1.25	57.3	91.0	27.929	200	7;22;30
25/6.3	18.5/4.6	1800/900	284/6T	02589EP3QCT286VF1-W2	\$4,199	H1	500	1.25	29.4	91.7	27.929	460	23;30
		1800/900	284/6T	02589EP3QCT286V-W22	\$4,199	H1	512	1.25	29.4	91.7	27.929	460	7;23;30
		1800/900	284/6T	02589EP3HCT286VF1-W2	\$4,199	H1	500	1.25	23.5	91.7	27.929	575	23;30
		1800/900	284/6T	02589EP3HCT286V-W22	\$4,199	H1	512	1.25	23.5	91.7	27.929	575	7;23;30
		1800/900	284/6T	02589EP3PCT286VF1-W2	\$4,199	H1	512	1.25	67.6	91.7	27.929	200	23;30
		1800/900	324T	02589EP3QCT324V2F1-W	\$5,826	H1	531	1.25	30.9	91.7	29.620	460	22;30
		1800/900	324T	02589EP3QCT324V2-W22	\$5,826	H1	580	1.25	30.9	91.7	29.620	460	7;22;30
		1800/900	324T	02589EP3PCT324V2F1-W	\$5,826	H1	531	1.25	71.1	91.7	29.620	200	22;30
		1800/900	324T	02589EP3PCT324V2-W22	\$5,826	H1	531	1.25	71.1	91.7	29.620	200	7;22;30
		1200/600	324/6T	02526EP3QCT326V-W22	\$6,222	H1	512	1.15	29.9	90.2	31.116	460	7;23;30

*continued on next page*

Please refer to back cover for description of "NOTES"

For detailed specifications, data sheets, drawings and performance curves visit <http://www.weg.net>



### TEFC - Dual Speed (1 & 2 Windings) - High Efficiency - *continued*

HP	kW	RPM	Frame	Catalog Number	List Price	Mult. Symbol	Approx. Shipping Weight (lbs)	Service Factor	FL Amps @ High	FL Eff (%)	"C" Dimension (in)	Voltage (V)	Notes
30/7.5	22/5.5	1800/900	324T	03089EP3QCT324VF1-W2	\$4,725	H1	578	1.25	37.2	91.7	29.620	460	23;30
		1800/900	324T	03089EP3QCT324V-W22	\$4,725	H1	578	1.25	37.2	91.7	29.620	460	7;23;30
		1800/900	324T	03089EP3HCT324VF1-W2	\$4,725	H1	542	1.25	29.8	91.7	29.620	575	23;30
		1800/900	324T	03089EP3HCT324V-W22	\$4,725	H1	542	1.25	29.8	91.7	29.620	575	7;23;30
		1800/900	324T	03089EP3PCT324VF1-W2	\$4,725	H1	581	1.25	85.5	91.7	29.620	200	23;30
		1800/900	324T	03089EP3PCT324V-W22	\$4,725	H1	542	1.25	85.5	91.7	29.620	200	7;23;30
		1800/900	324/6T	03089EP3QCT326V2F1-W	\$6,995	H1	625	1.25	37.4	92.4	31.116	460	22;30
		1800/900	324/6T	03089EP3QCT326V2-W22	\$6,995	H1	625	1.25	37.4	92.4	31.116	460	7;22;30
		1800/900	324/6T	03089EP3PCT326V2F1-W	\$6,995	H1	625	1.25	86.0	92.4	31.116	200	22;30
		1800/900	324/6T	03089EP3PCT326V2-W22	\$6,995	H1	625	1.25	86.0	92.4	31.116	200	7;22;30
40/10	30/7.5	1200/600	364/5T	03026EP3QCT364V-W22	\$7,435	H1	542	1.15	35.4	91.7	34.251	460	7;23;30
		1800/900	324/6T	04089EP3QCT326VF1-W2	\$5,464	H1	640	1.25	47.9	92.4	31.116	460	23;30
		1800/900	324/6T	04089EP3QCT326V-W22	\$5,464	H1	625	1.25	47.9	92.4	31.116	460	7;23;30
		1800/900	324/6T	04089EP3HCT326VF1-W2	\$5,464	H1	625	1.25	38.3	92.4	31.116	575	23;30;51
		1800/900	324/6T	04089EP3HCT326V-W22	\$5,464	H1	625	1.25	38.3	92.4	31.116	575	7;23;30
		1800/900	324/6T	04089EP3PCT326VF1-W2	\$5,464	H1	625	1.25	110	92.4	31.116	200	23;30
		1800/900	324/6T	04089EP3PCT326V-W22	\$5,464	H1	625	1.25	110	92.4	31.116	200	7;23;30
		1800/900	364/5T	04089EP3QCT364V2F1-W	\$8,720	H1	986	1.25	46.8	92.4	34.251	460	22;30
		1800/900	364/5T	04089EP3QCT364V2-W22	\$8,720	H1	1029	1.25	46.8	92.4	34.251	460	7;22;30
		1800/900	364/5T	04089EP3PCT364V2F1-W	\$8,720	H1	1029	1.25	108	92.4	34.251	200	22;30;51
50/12.5	37/9.2	1800/900	364/5T	04089EP3PCT364V2-W22	\$8,720	H1	1029	1.25	108	92.4	34.251	200	7;22;30
		1200/600	364/5T	04026EP3QCT365VF1-W2	\$9,302	H1	965	1.25	48.9	91.7	34.251	460	23;30
		1200/600	364/5T	04026EP3QCT365V-W22	\$9,302	H1	625	1.15	48.9	91.7	34.251	460	7;23;30
		1800/900	364/5T	05089EP3QCT364VF1-W2	\$7,526	H1	968	1.25	59.8	92.4	34.251	460	23;30
		1800/900	364/5T	05089EP3QCT364V-W22	\$7,526	H1	968	1.25	59.8	92.4	34.251	460	7;23;30
		1800/900	364/5T	05089EP3QCT365V2F1-W	\$11,093	H1	1042	1.25	57.0	92.5	34.251	460	22;30
		1800/900	364/5T	05089EP3QCT365V2-W22	\$11,093	H1	1102	1.25	57.0	92.5	34.251	460	7;22;30
		1800/900	364/5T	05089EP3HCT364VF1-W2	\$7,526	H1	1051	1.25	47.8	92.4	34.251	575	23;30
		1800/900	364/5T	05089EP3HCT364V-W22	\$7,526	H1	1051	1.25	47.8	92.4	34.251	575	7;23;30
		1800/900	364/5T	05089EP3PCT364VF1-W2	\$7,526	H1	1051	1.25	138	92.4	34.251	200	23;30
60/15	45/11	1800/900	364/5T	05089EP3PCT364V-W22	\$7,526	H1	1051	1.25	138	92.4	34.251	200	7;23;30
		1800/900	364/5T	05089EP3PCT365V2F1-W	\$11,093	H1	1102	1.25	131	92.5	34.251	200	22;30
		1800/900	364/5T	05089EP3PCT365V2-W22	\$11,093	H1	1102	1.25	131	92.5	34.251	200	7;22;30
		1200/600	364/5T	05026EP3QCT365VF1-W2	\$11,051	H1	1051	1.15	59.6	91.7	34.251	460	23;30
		1200/600	364/5T	05026EP3QCT365V-W22	\$11,051	H1	1051	1.15	59.6	91.7	34.251	460	7;23;30
		1800/900	364/5T	06089EP3QCT365VF1-W2	\$11,068	H1	997	1.25	72.3	93.0	34.251	460	23;30
		1800/900	364/5T	06089EP3QCT365V-W22	\$11,068	H1	1015	1.25	72.3	93.0	34.251	460	7;23;30
		1800/900	364/5T	06089EP3PCT365VF1-W2	\$11,068	H1	1102	1.25	166	93.0	34.251	200	23;30
		1800/900	364/5T	06089EP3PCT365V-W22	\$11,068	H1	1102	1.25	166	93.0	34.251	200	7;23;30
		75/18.5	55/13.6	1800/900	404/5T	07589EP3QCT404VF1-W2	\$14,226	H1	1294	1.25	85.3	93.0	39.730
1800/900	404/5T			07589EP3QCT404V-W22	\$14,226	H1	1294	1.25	85.3	93.0	39.730	460	7;23;30
1800/900	404/5T			07589EP3PCT404VF1-W2	\$14,226	H1	1245	1.25	196	93.0	39.730	200	23;30
1800/900	404/5T			07589EP3PCT404V-W22	\$14,226	H1	1245	1.25	196	93.0	39.730	200	7;23;30
100/25	75/18.5	1800/900	444/5T	10089EP3QCT444VF1-W2	\$16,398	H1	2149	1.25	119	94.1	44.950	460	23;30
		1800/900	444/5T	10089EP3QCT444V-W22	\$16,398	H1	2162	1.25	119	94.1	44.950	460	7;23;30
		1800/900	444/5T	10089EP3PCT444VF1-W2	\$16,398	H1	2149	1.25	274	94.1	44.950	200	23;30
		1800/900	444/5T	10089EP3PCT444V-W22	\$16,398	H1	2149	1.25	274	94.1	44.950	200	7;23;30

Please refer to back cover for description of "NOTES"

For detailed specifications, data sheets, drawings and performance curves visit <http://www.weg.net>

Data subject to change without notice.

Can't find what you are looking for? Call 1-800-ASK-4WEG (275-4934)



# Air Handling Motors

## PAD MOUNT MOTORS

### Three-Phase TEAO - NEMA Premium®

These TEAO motors are supplied with a detached terminal box and extended leads for remote installation.

#### Standard Features:

- Class F insulation (Impregnation Resin and magnet Wire are class H)
- Stainless Steel Nameplate - Laser etched with high contrast background
- Regreasable ball bearings (Frame 254Y and up)



#### Features that make a difference:

- 1.25 Service Factor
- Detached terminal box and extended leads
- Two stainless steel plates provided

#### Inverter Rated:

**1000 : 1 for variable torque**







### TEAO - NEMA Premium

HP	KW	RPM	Frame	Catalog Number	List Price	Mult. Symbol	Approx. Shipping Weight (lbs)	Service Factor	FL Amps @ High	FL. Eff (%)	"C" Dimension (in)	Voltage (V)	Notes
1	0.75	3600	145Y	<a href="#">00136ET3EPM143/5Y-W2</a>	\$565	Y1	42	1.25	1.44	81.5	12.110	230/460	
		1800	145Y	<a href="#">00118ET3EPM143/5Y-W2</a>	\$594	Y1	47	1.25	1.47	85.5	12.110	230/460	
1.5	1.1	3600	145Y	<a href="#">00156ET3EPM143/5Y-W2</a>	\$613	Y1	47	1.25	1.96	84.0	12.110	230/460	
		1800	145Y	<a href="#">00158ET3EPM143/5Y-W2</a>	\$617	Y1	52	1.25	2.02	86.5	12.110	230/460	
		1200	184Y	<a href="#">00152ET3EPM182/4Y-W2</a>	\$820	Y1	103	1.25	2.54	87.5	13.803	230/460	
2	1.5	3600	145Y	<a href="#">00236ET3EPM143/5Y-W2</a>	\$661	Y1	52	1.25	2.56	85.5	12.110	230/460	
		1800	145Y	<a href="#">00218ET3EPM143/5Y-W2</a>	\$685	Y1	52	1.25	2.76	86.5	12.110	230/460	
3	2.2	3600	184Y	<a href="#">00336ET3EPM182/4Y-W2</a>	\$847	Y1	104	1.25	3.63	86.5	13.803	230/460	
		1800	184Y	<a href="#">00318ET3EPM182/4Y-W2</a>	\$735	Y1	101	1.25	3.91	89.5	13.803	230/460	
5	3.7	3600	184Y	<a href="#">00536ET3EPM182/4Y-W2</a>	\$985	Y1	112	1.25	5.90	88.5	13.803	230/460	
		1800	184Y	<a href="#">00518ET3EPM182/4Y-W2</a>	\$855	Y1	110	1.25	6.45	89.5	13.803	230/460	
7.5	5.5	3600	215Y	<a href="#">00736ET3EPM213/5Y-W2</a>	\$1,248	Y1	162	1.25	8.76	89.5	17.198	230/460	39
		1800	215Y	<a href="#">00718ET3EPM213/5Y-W2</a>	\$1,240	Y1	170	1.25	9.18	91.7	17.198	230/460	
10	7.5	3600	215Y	<a href="#">01036ET3EPM213/5Y-W2</a>	\$1,477	Y1	185	1.25	11.6	90.2	17.198	230/460	
		1800	215Y	<a href="#">01018ET3EPM213/5Y-W2</a>	\$1,450	Y1	193	1.25	12.4	91.7	17.198	230/460	
15	11	1200	286Y	<a href="#">01512ET3EPM284/6Y-W2</a>	\$3,652	Y1	400	1.25	17.9	91.7	23.938	230/460	
20	15	1200	286Y	<a href="#">02012ET3EPM284/6Y-W2</a>	\$4,437	Y1	422	1.25	24.2	91.7	23.938	230/460	
25	18.5	1800	286Y	<a href="#">02518ET3EPM284/6Y-W2</a>	\$3,071	Y1	414	1.25	29.5	93.6	23.938	230/460	
		1200	326Y	<a href="#">02512ET3EPM324/6Y-W2</a>	\$5,353	Y1	591	1.25	30.4	93.0	26.658	230/460	
30	22	1800	286Y	<a href="#">03018ET3EPM284/6Y-W2</a>	\$3,610	Y1	452	1.25	35.1	93.6	23.938	230/460	
		1200	326Y	<a href="#">03012ET3EPM324/6Y-W2</a>	\$5,906	Y1	639	1.25	36.2	93.0	26.658	230/460	
40	30	1800	326Y	<a href="#">04018ET3EPM324/6Y-W2</a>	\$4,638	Y1	587	1.25	47.1	94.1	26.658	230/460	
50	37	1800	326Y	<a href="#">05018ET3EPM324/6Y-W2</a>	\$5,661	Y1	610	1.25	59.2	94.5	26.658	230/460	

Refer to electrical and mechanical data sections for additional technical information. Please refer to back cover for description of "NOTES"

For detailed specifications, data sheets, drawings and performance curves visit <http://www.weg.net>

Data subject to change without notice.

Can't find what you are looking for? Call 1-800-ASK-4WEG (275-4934)

- Models in black text are Standard Efficiency
- Models in blue text are NEMA Premium® Efficiency
- Models in green text are NEMA Super Premium Efficiency

## Catalog Notes

1	1.0 Service Factor	31	Rating is suitable for 1.0SF @ 50Hz. Also suitable for next lower HP @ 1.15SF 50Hz
2	Aluminum Frame with Removable Feet	32	Suitable for 1.15SF @ 50°C ambient
3	Automatic Reset Thermal Overload Protector	33	Suitable for 380V 60Hz when wired as YY (double WYE)
4	Manual Reset Thermal Overload Protector	34	AEGIS® Inside
5	CCW Rotation Viewed from Shaft End - Non Reversible	35	AEGIS® ring installation reduces the available "N-W" length
6	Compressor Duty	36	Super Premium
7	F2 Mount	37	Design A
8	F3 Mount	38	TEAO - Totally Enclosed Air Over
9	Rolled Steel Frame - Cannot be modified with T Box on opposite side	39	Cannot be modified with T Box on opposite side
10	Not Thermally Protected	40	NDE shaft with 3/8" drive socket
11	Metal fan - Not suitable for division 2	41	Also rated 230/460V 50Hz 1.0 SF
12	Reduced Frame	42	Rated 50°C ambient
13	Resilient Base	43	With insulated non drive end housing
14	Roller Bearing	44	With air deflector. Flange MOD not available
15	Round Body - Drip Cover Included	45	Also rated 380V 50Hz
16	Split-Phase Motor	46	56J shaft end with dual opposed threads (7/16-20 UNF-2A R.H and 3/8-16 UNF-2A L.H)
17	TENV - Totally Enclosed Non Ventilated	47	Motor designed with copper bar rotor
18	Z-Frame; Bigger Shaft Diameter and Bearings	48	Motor suitable for safe area only
19	105K Temperature Rise; VFD service requires HP derate	49	Rating suitable for replate to 1.15SF on variable torque VFD power
20	Round Body - Drip Cover NOT Included	50	Rating requires replate to Class H insulation for 1.15SF on variable torque VFD power
21	Stainless Steel Body	51	Not normally stocked. Factory build lead time may apply
22	Two Speed - Double Windings		
23	Two Speed - Single Winding		
24	Modified item. Usually ships in two weeks		
25	Brake rectifier suitable for 230VAC		
26	Brake rectifier suitable for 460VAC		
27	For Export Only (not to be used in the USA) due to Certification and/or Efficiency requirements.		
28	ODP Fan Cooled		
29	Standard Efficiency		
30	High Efficiency (EPACT)		