

DATA SHEET



Three Phase Induction Motor - Squirrel Cage

Customer :						
Product line		: NEMA Premium Efficiency Three-Phase		Product code :	12678124	
				Catalog # :	00718NT3FVD213TC-W22	
Frame	: 213/5TCZ		Locked rotor time	: 45s (cold) 25s (hot)		
Output	: 7.5 HP (5.5 kW)		Temperature rise	: 105 K		
Poles	: 4		Duty cycle	: Cont.(S1)		
Frequency	: 60 Hz		Ambient temperature	: -20°C to +40°C		
Rated voltage	: 230/460 V		Altitude	: 1000 m.a.s.l.		
Rated current	: 18.1/9.07 A		Protection degree	: IP55		
L. R. Amperes	: 136/68.0 A		Cooling method	: IC410 - TENV		
LRC	: 7.5x(Code J)		Mounting	: F-1		
No load current	: 8.00/4.00 A		Rotation ¹	: Both (CW and CCW)		
Rated speed	: 1770 rpm		Starting method	: VFD		
Slip	: 1.67 %		Approx. weight ³	: 169 lb		
Rated torque	: 22.3 ft.lb					
Locked rotor torque	: 229 %					
Breakdown torque	: 330 %					
Insulation class	: H					
Service factor	: 1.00					
Design	: B					
Output	25%	50%	75%	100%	Foundation loads	
Efficiency (%)	0.000	90.2	91.7	91.7	Max. traction : 330 lb	
Power Factor	0.00	0.67	0.77	0.83	Max. compression : 498 lb	
			<u>Drive end</u>	<u>Non drive end</u>		
Bearing type	:	6308 ZZ	6308 ZZ			
Sealing	:	V'Ring	V'Ring			
Lubrication interval	:	0 h	0 h			
Lubricant amount	:	0 g	0 g			
Lubricant type	:	Mobil Polyrex EM				
Notes						
This revision replaces and cancel the previous one, which must be eliminated. (1) Looking the motor from the shaft end. (2) Measured at 1m and with tolerance of +3dB(A). (3) Approximate weight subject to changes after manufacturing process. (4) At 100% of full load.			These are average values based on tests with sinusoidal power supply, subject to the tolerances stipulated in NEMA MG-1.			
Rev.	Changes Summary			Performed	Checked	Date
Performed by						
Checked by					Page	Revision
Date	08/06/2022				1 / 7	

DATA SHEET

Three Phase Induction Motor - Squirrel Cage



Customer : _____

Thermal protection

ID	Application	Type	Quantity	Sensing Temperature
1	Winding	Thermostat - 2 wires	1 x Phase	155 °C

Rev.	Changes Summary	Performed	Checked	Date
Performed by				
Checked by			Page	Revision
Date	08/06/2022		2 / 7	

TORQUE AND CURRENT VS SPEED CURVE



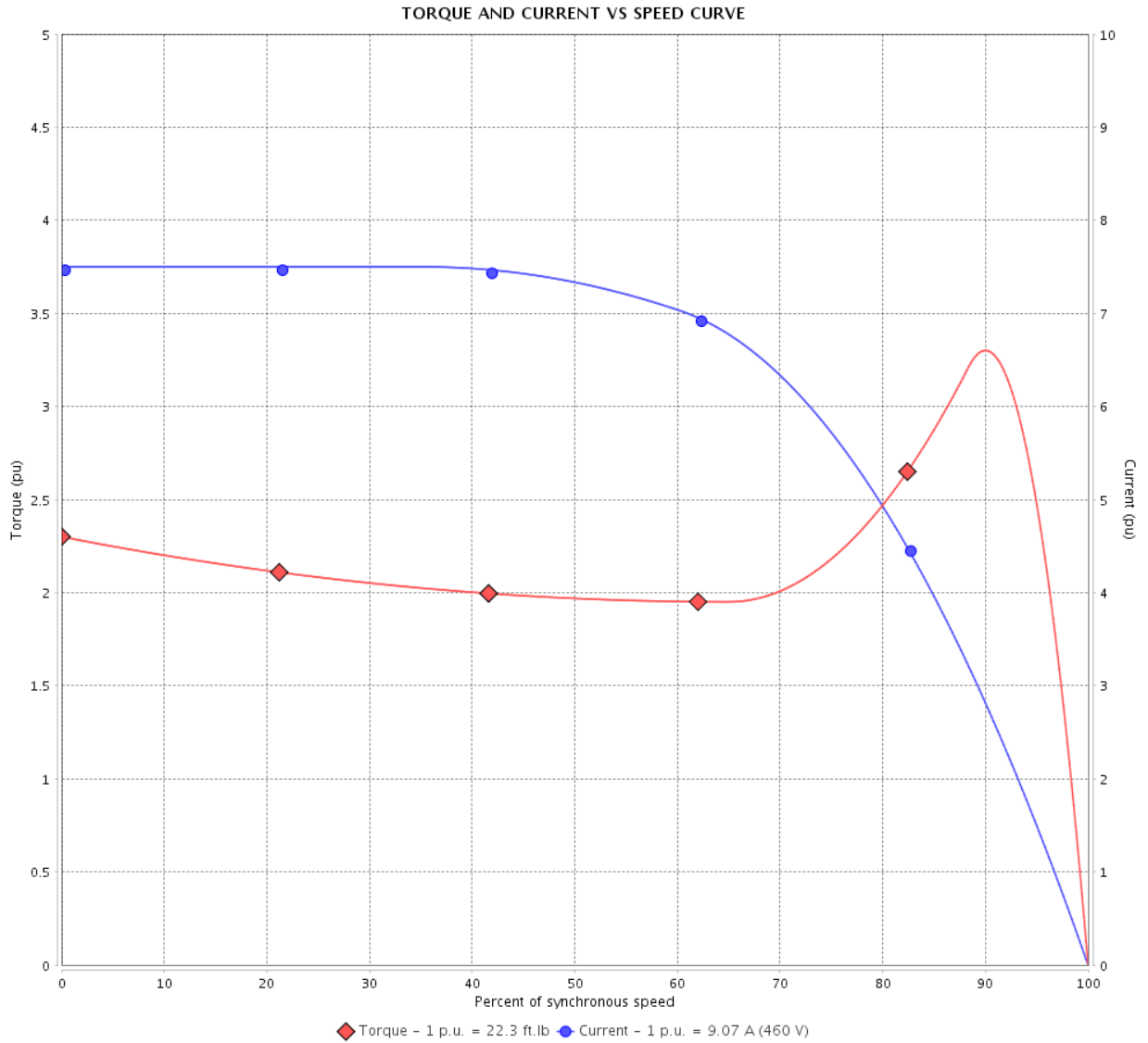
Three Phase Induction Motor - Squirrel Cage

Customer :

Product line : NEMA Premium Efficiency Three-Phase

Product code : 12678124

Catalog # : 00718NT3FVD213TC-W22



Performance : 230/460 V 60 Hz 4P

Rated current : 18.1/9.07 A
 LRC : 7.5
 Rated torque : 22.3 ft.lb
 Locked rotor torque : 229 %
 Breakdown torque : 330 %
 Rated speed : 1770 rpm

Moment of inertia (J)
 Duty cycle : Cont.(S1)
 Insulation class : H
 Service factor : 1.00
 Temperature rise : 105 K
 Design : B

Locked rotor time : 45s (cold) 25s (hot)

Rev.	Changes Summary	Performed	Checked	Date
Performed by			Page 3 / 7	Revision
Checked by				
Date	08/06/2022			

LOAD PERFORMANCE CURVE

Three Phase Induction Motor - Squirrel Cage



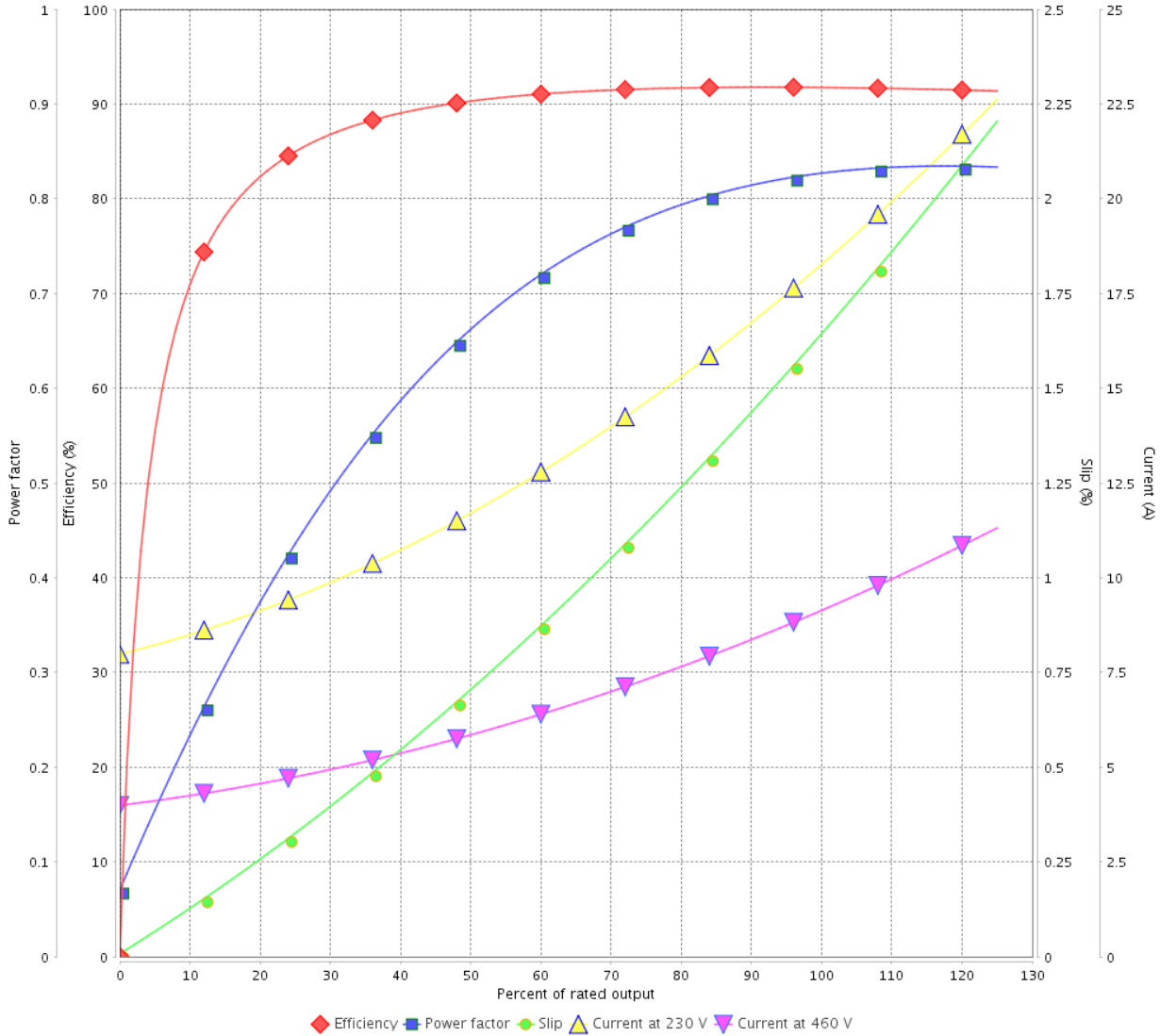
Customer :

Product line : NEMA Premium Efficiency Three-Phase

Product code : 12678124

Catalog # : 00718NT3FVD213TC-W22

LOAD PERFORMANCE CURVE



Performance : 230/460 V 60 Hz 4P

Rated current : 18.1/9.07 A
 LRC : 7.5
 Rated torque : 22.3 ft.lb
 Locked rotor torque : 229 %
 Breakdown torque : 330 %
 Rated speed : 1770 rpm

Moment of inertia (J)
 Duty cycle : Cont.(S1)
 Insulation class : H
 Service factor : 1.00
 Temperature rise : 105 K
 Design : B

Rev.	Changes Summary	Performed	Checked	Date
Performed by			Page	Revision
Checked by			4 / 7	
Date	08/06/2022			

THERMAL LIMIT CURVE



Three Phase Induction Motor - Squirrel Cage

Customer :

Product line : NEMA Premium Efficiency Three-Phase
 Product code : 12678124
 Catalog # : 00718NT3FVD213TC-W22

Performance : 230/460 V 60 Hz 4P

Rated current : 18.1/9.07 A	Moment of inertia (J)
LRC : 7.5	Duty cycle : Cont.(S1)
Rated torque : 22.3 ft.lb	Insulation class : H
Locked rotor torque : 229 %	Service factor : 1.00
Breakdown torque : 330 %	Temperature rise : 105 K
Rated speed : 1770 rpm	Design : B

Heating constant

Cooling constant

Rev.	Changes Summary	Performed	Checked	Date
Performed by			Page	Revision
Checked by				
Date	08/06/2022			

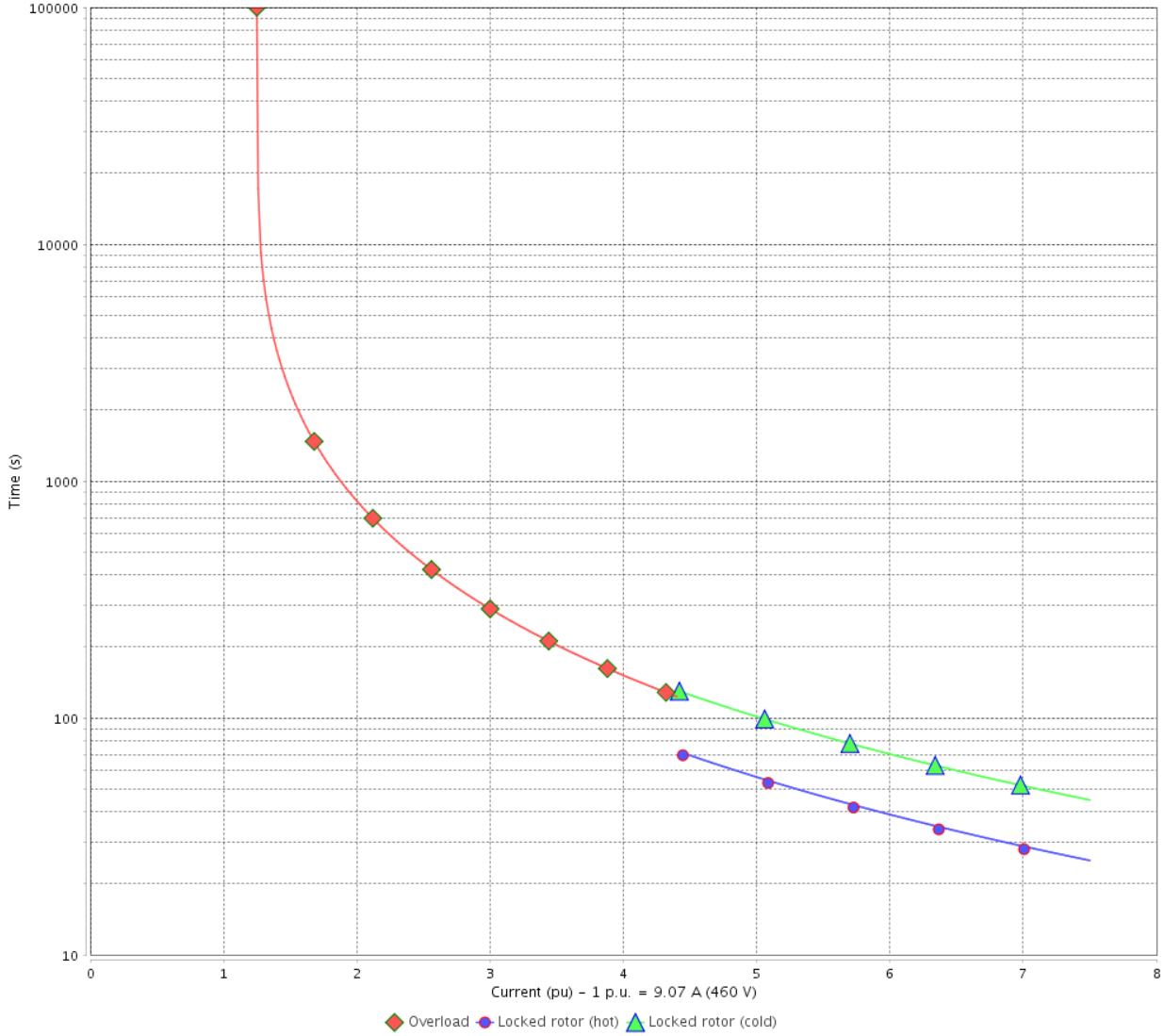
THERMAL LIMIT CURVE

Three Phase Induction Motor - Squirrel Cage



Customer : _____

THERMAL LIMIT CURVE



Rev.	Changes Summary	Performed	Checked	Date
Performed by			Page 6 / 7	Revision
Checked by				
Date	08/06/2022			

VFD OPERATION CURVE

Three Phase Induction Motor - Squirrel Cage

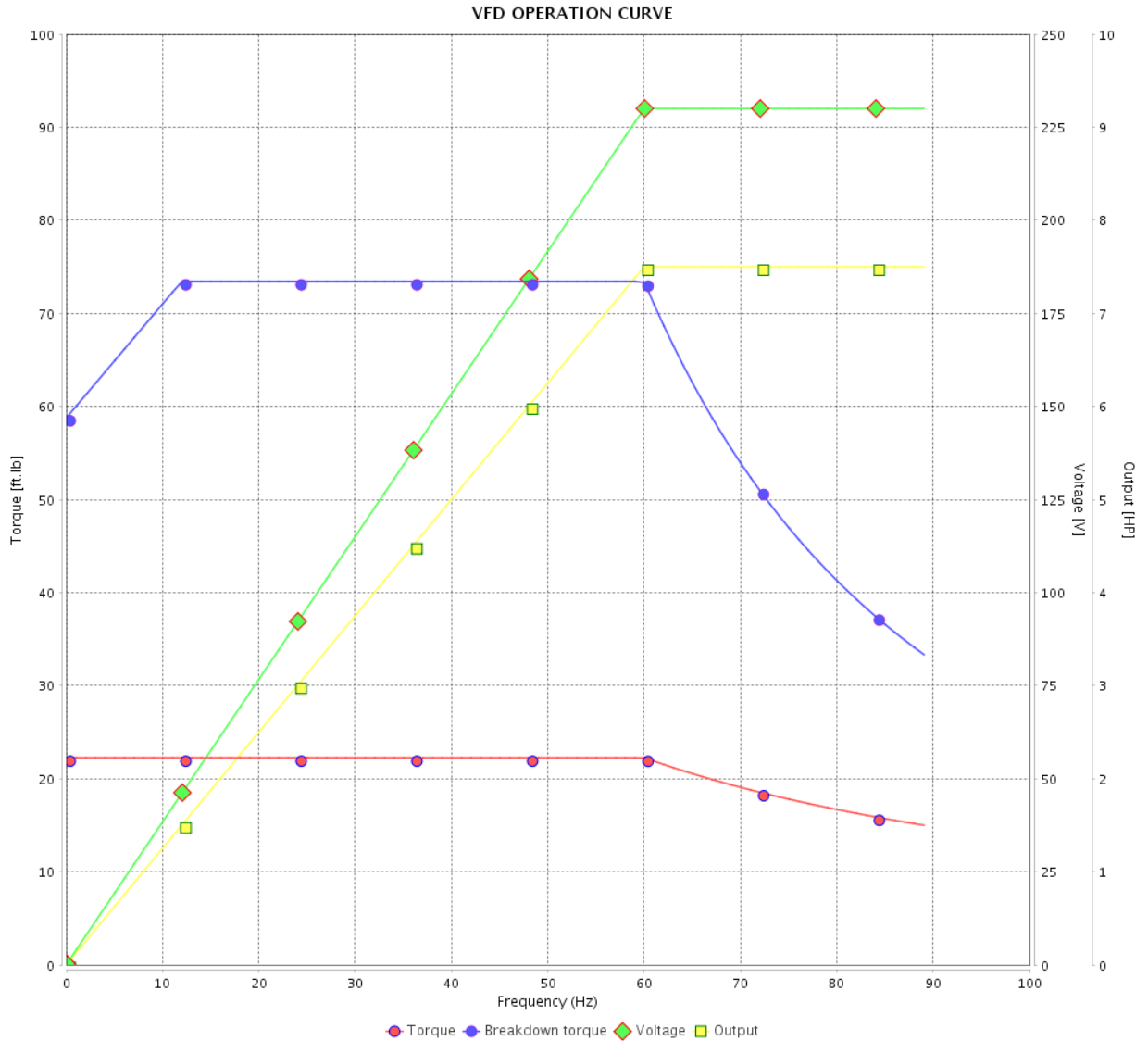


Customer :

Product line : NEMA Premium Efficiency Three-Phase

Product code : 12678124

Catalog # : 00718NT3FVD213TC-W22



Performance : 230/460 V 60 Hz 4P

Rated current : 18.1/9.07 A
 LRC : 7.5
 Rated torque : 22.3 ft.lb
 Locked rotor torque : 229 %
 Breakdown torque : 330 %
 Rated speed : 1770 rpm

Moment of inertia (J)
 Duty cycle : Cont.(S1)
 Insulation class : H
 Service factor : 1.00
 Temperature rise : 105 K
 Design : B

Rev.	Changes Summary	Performed	Checked	Date
Performed by				Page 7 / 7
Checked by				
Date	08/06/2022			
				Revision

No reproduction of this drawing is allowed without written permission of WEG Motores

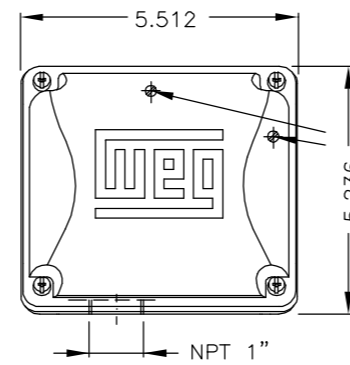
EIXO	
PADRÃO	
OPCIONAL	
ESPECIAL	X

Dimensões em polegadas
Dimensions in inches

PRELIMINARY DOCUMENT

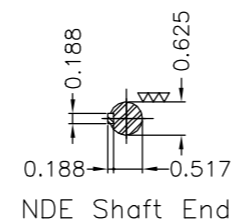
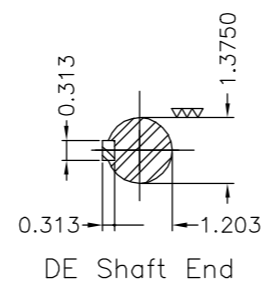
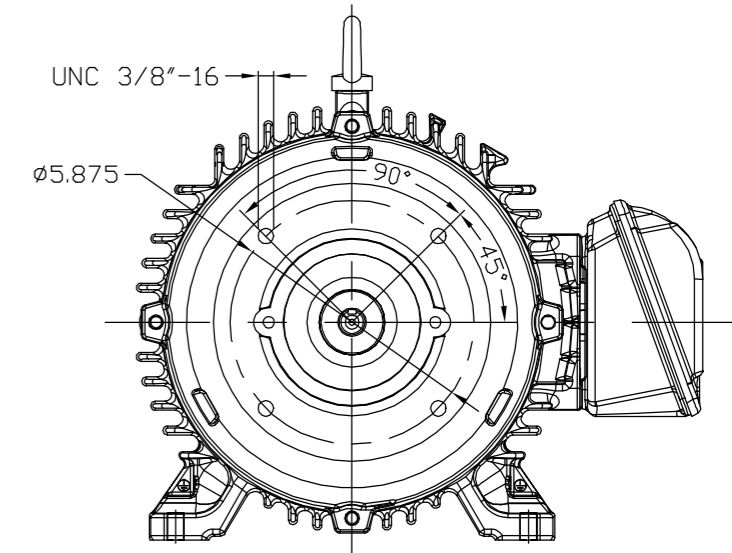
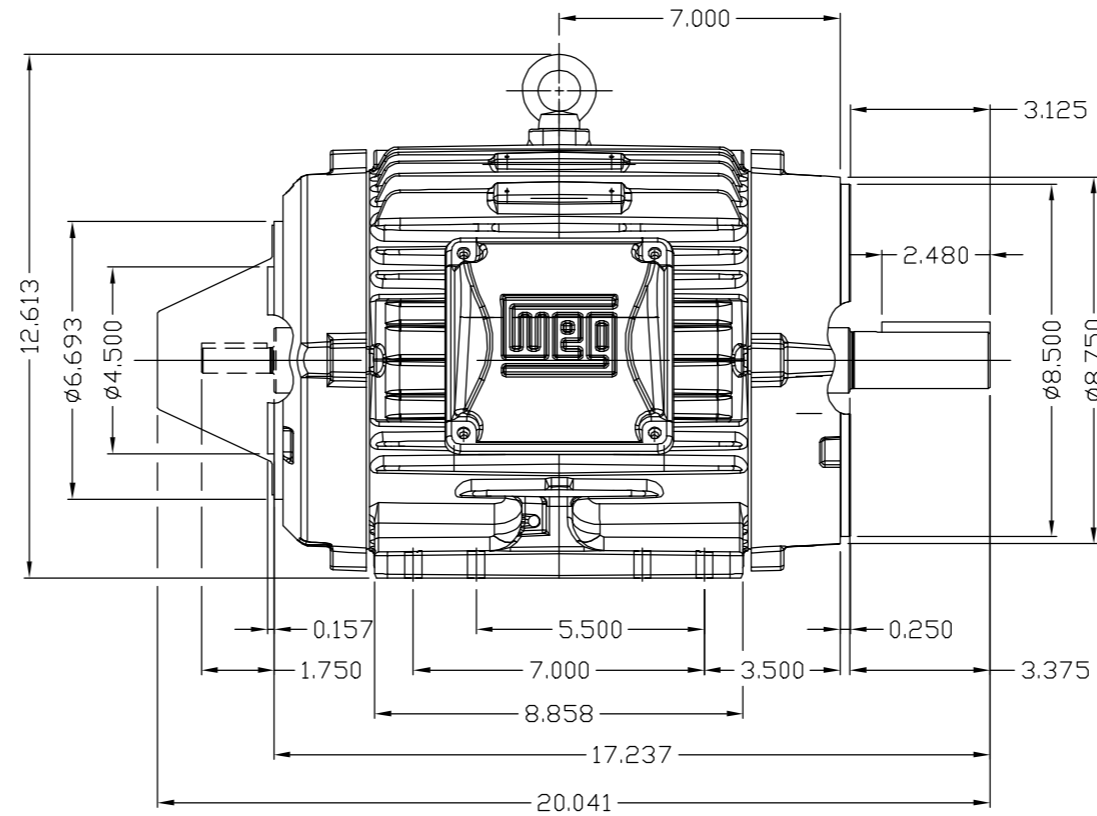
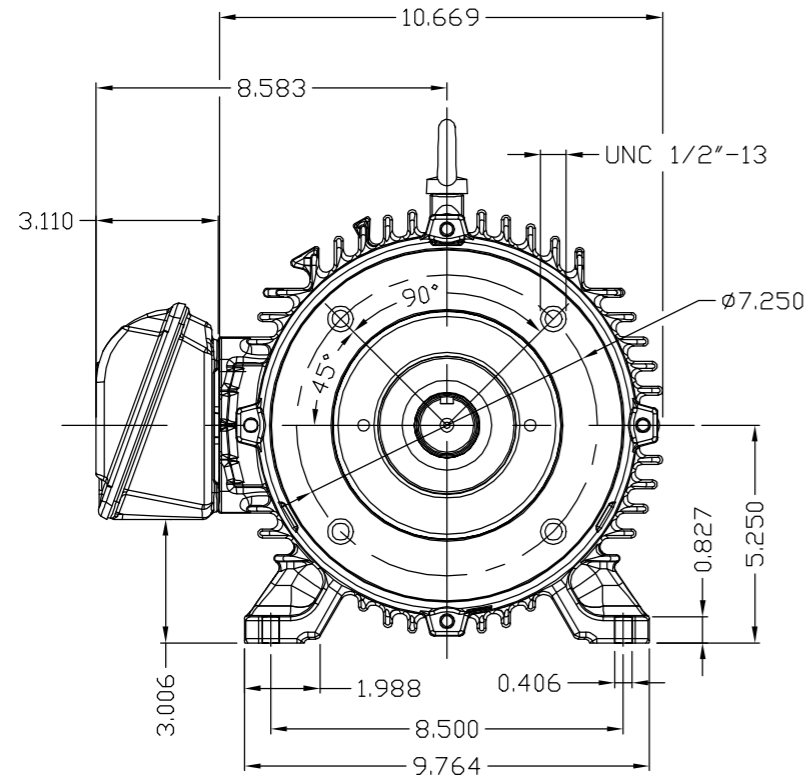
Not to be used for installation purposes.

THIS IS AN UPDATED REVISION, THE PREVIOUS ONE MUST BE DISREGARDED.



Grounding for leads 2-10mm²

Main terminal box



Sin ventilador / Without fan					
Sin deflectora / Without fan cover					
Termostato 155°C - Desconexión / Thermostats 155°C to trip					
Anillo fijación del rodamiento / Bearing cap					
Plan de pintura 207A / Painting plan 207A					
Forma constructiva NEMA F-1 / Mounting NEMA F-1					
Forma constructiva B34R(D) / Mounting B34R(D)					

WEG ELECTRIC CORPORATION - WEC

OV: 3030514
PC: Vector Duty

500001568583		ACCORDING TO CLAIM 415383210	PEREZA	JOSEARMANDO	JOSEARMANDO	13.03.2019	01
500000841966		DOCUMENTO NOVO	RALCANTARA	AZUE	AZUE	06.01.2014	00
ECM	LOC	SUMMARY OF MODIFICATIONS	EXECUTED	CHECKED	RELEASED	DATE	VER
EXECUTED	RALCANTARA	THREE PHASE W22 MOTOR - NEMA PREMIUM EFF FRAME 213/5TCZ IP55	10002647750				
CHECKED	AZUE		000	01			
RELEASED	AZUE		SHEET 1 / 1				
REL DT	06.01.2014	WMX	HUEHUETOCA	INGENIERA DEL PRODUCTO			

7.5 HP 04 Poles 60Hz


MADE IN MEXICO

**W22 NEMA Premium**Inverter Duty Motor
Severe Duty

MODEL:00718NT3FVD213TC-W22

PH **3** HP(kW) **7.5(5.5)** FRAME **213/5TC** RPM **1770**
 V **230** / **460** Hz **60** SF **1.0** NEMA NOM. EFF. **91.7 %**
 A **18.1 / 9.1** INS. CL. **H** Δ T **105K** P.F. **0.83** DUTY **CONT**
 SFA ENCL. **TENV** IP **55** AMB. **40°C** ALT. **1000** m.a.s.l.

OHMS/PHI	R1	0.865	X1	1.854
	R2	0.589	X2	3.653
	CONNECTION	Y	XW	65.976

CODE **J** DES **B**

 → 6308-ZZ
 → 6308-ZZ

Hz	HP (KW)	RPM	TQ (FT-LB)	VOLTS	AMPS
0.06	7.5(5.6)	0	22.3	25	9.1
60	7.5(5.6)	1770	22.3	460	9.1
90	7.5(5.6)	2620	15.0	460	8.9

MOBIL POLYREX EM

MOD. TE1BFOXON 171lbs

FOR USE ON PWM VFD 1000:1 CT




 CC029A
 FOR SAFE AREA

12678124