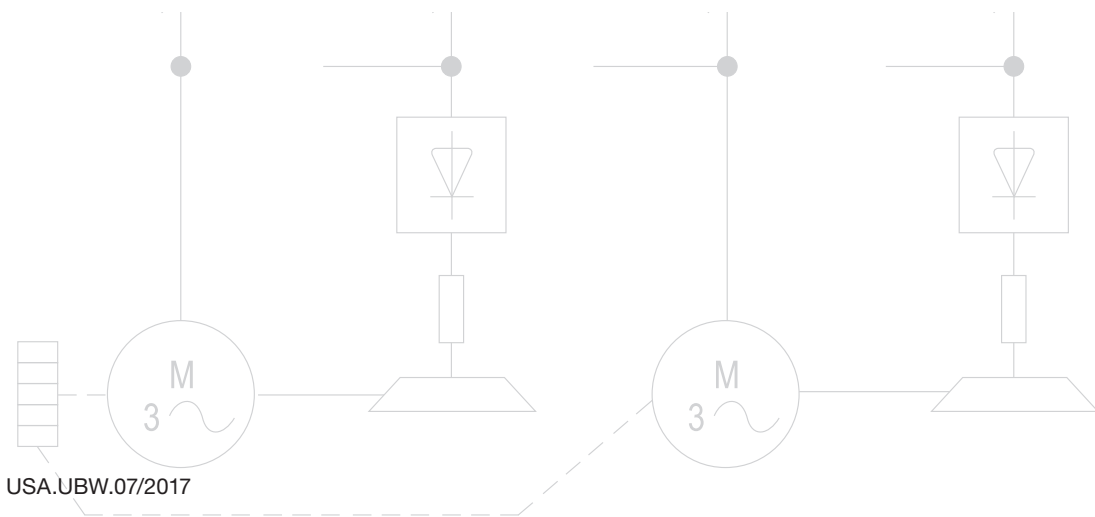
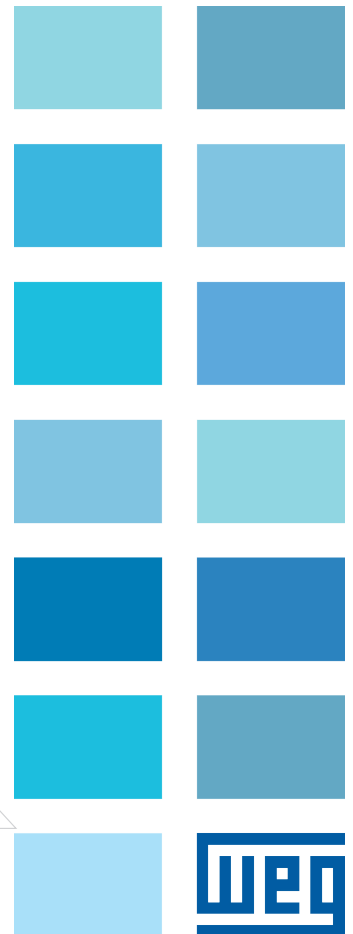
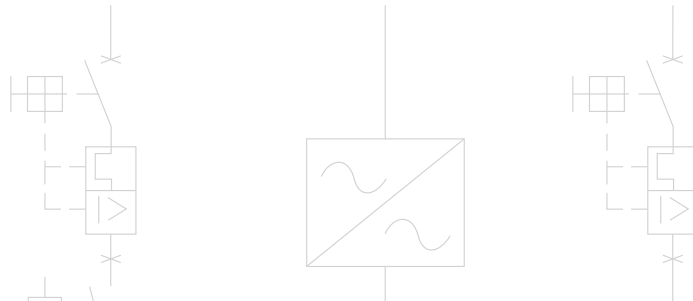


UBW

Molded-Case Circuit Breaker UL 489 Listed



UBW

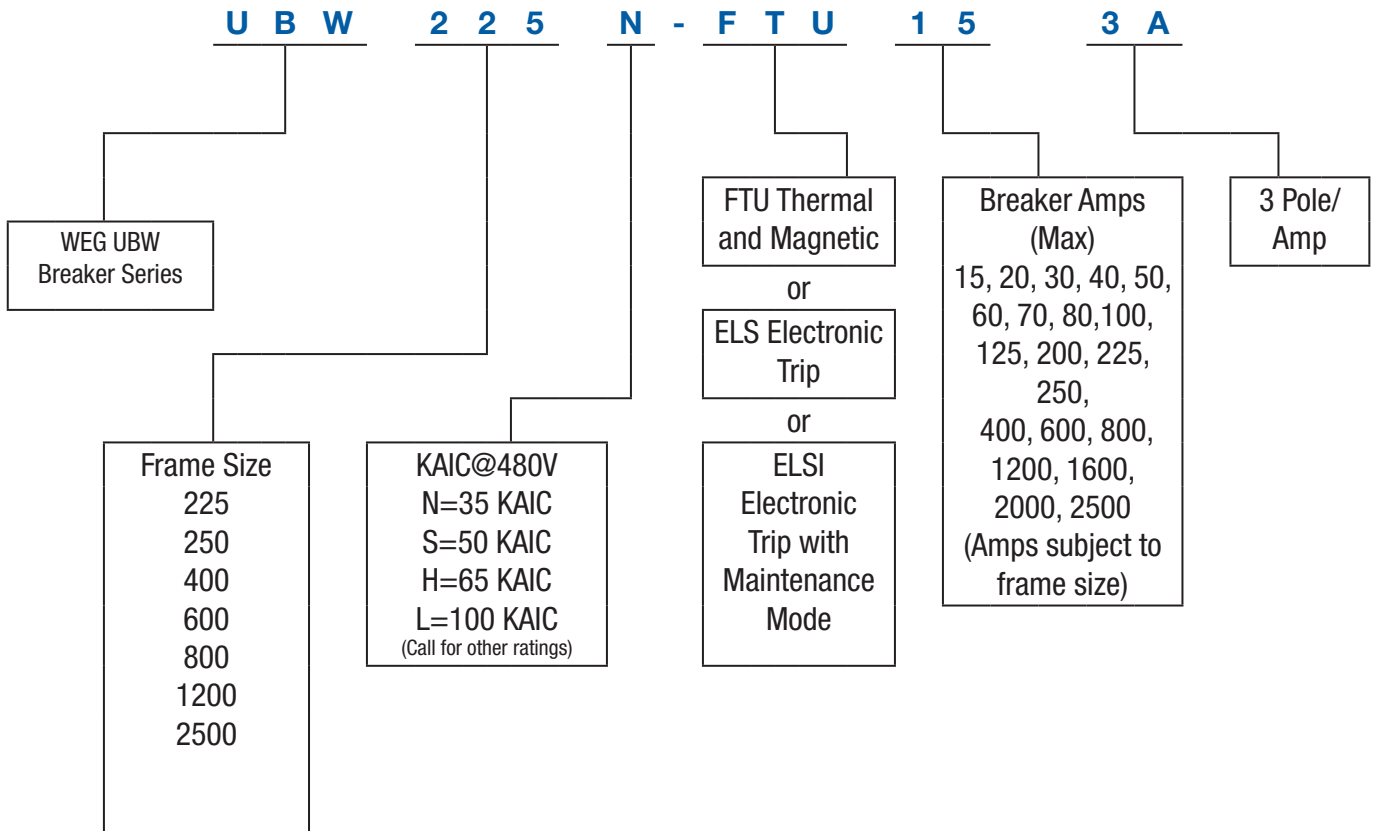
Molded-Case Circuit Breaker UL 489 Listed



The WEG UBW Series of Molded Case Circuit Breakers are designed to provide short circuit and thermal protection for industrial electrical equipment. Increased frame sizes and amperages cover more applications and when combined with our complete line of Automation/Control products, provide customers a one stop shop for all their panel needs. The UBW product line ranges from 15A to 2500A and SCCR ratings for 35-100 KAIC to meet more of your application requirements. The UBW line offers the quality, reliability and uncompromising protection that you have come to expect from WEG.

Standard Features:

- Broad product offering up to 2500 Amps
- Multiple SCCR Ratings up to 100 KIAC Ratings
- Maintenance mode for superior Arc Flash Protection
- Field or Factory installed options
- Optional multi-conductor load side lugs



**If ordering with factory installed options replace 3A with alpha numeric option code sequence*



UBW225 Frame - Line and load side lugs included

| Thermal Setting | Short Circuit Interrupting Capacity | | Catalog Number | List Price | Multiplier |
|-----------------|-------------------------------------|---------|-------------------|------------|------------------|
| (A) | 480VAC | 600VAC | | | |
| 15 | 35kA | 18kA | UBW225N-FTU15-3A | \$665 | Z10 |
| 20 | | | UBW225N-FTU20-3A | \$665 | Z10 |
| 30 | | | UBW225N-FTU30-3A | \$665 | Z10 |
| 40 | | | UBW225N-FTU40-3A | \$665 | Z10 |
| 50 | | | UBW225N-FTU50-3A | \$665 | Z10 |
| 60 | | | UBW225N-FTU60-3A | \$665 | Z10 |
| 70 | | | UBW225N-FTU70-3A | \$665 | Z10 |
| 80 | | | UBW225N-FTU80-3A | \$728 | Z10 |
| 100 | | | UBW225N-FTU100-3A | \$728 | Z10 |
| 125 | | | UBW225N-FTU125-3A | \$1,100 | Z10 |
| 150 | | | UBW225N-FTU150-3A | \$1,550 | Z10 |
| 200 | | | UBW225N-FTU200-3A | \$1,550 | Z10 |
| 225 | | | UBW225N-FTU225-3A | \$1,550 | Z10 |
| 15 | | | 65kA | 25kA | UBW225H-FTU15-3A |
| 20 | UBW225H-FTU20-3A | \$965 | | | Z10 |
| 30 | UBW225H-FTU30-3A | \$965 | | | Z10 |
| 40 | UBW225H-FTU40-3A | \$965 | | | Z10 |
| 50 | UBW225H-FTU50-3A | \$965 | | | Z10 |
| 60 | UBW225H-FTU60-3A | \$965 | | | Z10 |
| 70 | UBW225H-FTU70-3A | \$965 | | | Z10 |
| 80 | UBW225H-FTU80-3A | \$1,055 | | | Z10 |
| 100 | UBW225H-FTU100-3A | \$1,055 | | | Z10 |
| 125 | UBW225H-FTU125-3A | \$1,450 | | | Z10 |
| 150 | UBW225H-FTU150-3A | \$2,050 | | | Z10 |
| 200 | UBW225H-FTU200-3A | \$2,050 | | | Z10 |
| 225 | UBW225H-FTU225-3A | \$2,050 | | | Z10 |
| 15 | 100kA | 35kA | | | UBW225L-FTU15-3A |
| 20 | | | UBW225L-FTU20-3A | \$1,200 | Z10 |
| 30 | | | UBW225L-FTU30-3A | \$1,200 | Z10 |
| 40 | | | UBW225L-FTU40-3A | \$1,200 | Z10 |
| 50 | | | UBW225L-FTU50-3A | \$1,200 | Z10 |
| 60 | | | UBW225L-FTU60-3A | \$1,200 | Z10 |
| 70 | | | UBW225L-FTU70-3A | \$1,200 | Z10 |
| 80 | | | UBW225L-FTU80-3A | \$1,200 | Z10 |
| 100 | | | UBW225L-FTU100-3A | \$1,350 | Z10 |
| 125 | | | UBW225L-FTU125-3A | \$1,350 | Z10 |
| 150 | | | UBW225L-FTU150-3A | \$2,800 | Z10 |
| 200 | | | UBW225L-FTU200-3A | \$2,400 | Z10 |
| 225 | | | UBW225L-FTU225-3A | \$2,400 | Z10 |

UBW

UBW 250 400 600 800 Frame- - Line and load side lugs included



Frame 250

| Thermal Setting | KA Rating at 480VAC | Catalog Number | List Price | Multiplier |
|-----------------|---------------------|-----------------------------------|------------|------------|
| 250 | 35 | UBW250N-FTU250-3A | \$1,550 | Z10 |
| 250 | 65 | UBW250H-FTU250-3A | \$2,050 | Z10 |
| 250 | 100 | UBW250L-FTU250-3A | \$2,400 | Z10 |

Frame 400

| | | | | |
|-----|-----|-----------------------------------|---------|-----|
| 300 | 35 | UBW400N-FTU300-3A | \$3,000 | Z10 |
| 400 | 35 | UBW400N-FTU400-3A | \$3,000 | Z10 |
| 300 | 65 | UBW400H-FTU300-3A | \$3,700 | Z10 |
| 400 | 65 | UBW400H-FTU400-3A | \$3,700 | Z10 |
| 300 | 100 | UBW400L-FTU300-3A | \$4,700 | Z10 |
| 400 | 100 | UBW400L-FTU400-3A | \$4,700 | Z10 |

Frame 600

| | | | | |
|-----|-----|-----------------------------------|---------|-----|
| 500 | 35 | UBW600N-FTU500-3A | \$5,000 | Z10 |
| 600 | 35 | UBW600N-FTU600-3A | \$5,000 | Z10 |
| 500 | 65 | UBW600H-FTU500-3A | \$7,000 | Z10 |
| 600 | 65 | UBW600H-FTU600-3A | \$7,000 | Z10 |
| 500 | 100 | UBW600L-FTU500-3A | \$8,300 | Z10 |
| 600 | 100 | UBW600L-FTU600-3A | \$8,300 | Z10 |

Frame 800

| | | | | |
|-----|----|-----------------------------------|---------|-----|
| 800 | 50 | UBW800S-FTU800-3A | \$6,000 | Z10 |
| 800 | 65 | UBW800H-FTU800-3A | \$8,000 | Z10 |

Frame 1200 with Electronic Trip - Not supplied with lugs

| | | | | |
|------|-----|-------------------------------------|-------------|-----|
| 800 | 50 | UBW1200S-ELS800-3A | \$14,000.00 | Z10 |
| 800 | 65 | UBW1200H-ELS800-3A | \$17,950.00 | Z10 |
| 800 | 100 | UBW1200L-ELS800-3A | \$21,950.00 | Z10 |
| 1200 | 50 | UBW1200S-ELS1200-3A | \$21,300.00 | Z10 |
| 1200 | 65 | UBW1200H-ELS1200-3A | \$22,200.00 | Z10 |
| 1200 | 100 | UBW1200L-ELS1200-3A | \$23,500.00 | Z10 |

Frame 1200 with Electronic Trip and Maintenance Mode - Not supplied with lugs

| | | | | |
|------|-----|--------------------------------------|-------------|-----|
| 800 | 50 | UBW1200S-ELSI800-3A | \$21,950.00 | Z10 |
| 800 | 65 | UBW1200H-ELSI800-3A | \$21,950.00 | Z10 |
| 800 | 100 | UBW1200L-ELSI800-3A | \$24,600.00 | Z10 |
| 1200 | 50 | UBW1200S-ELSI1200-3A | \$22,000.00 | Z10 |
| 1200 | 65 | UBW1200H-ELSI1200-3A | \$24,500.00 | Z10 |
| 1200 | 100 | UBW1200L-ELSI1200-3A | \$25,800.00 | Z10 |

UBW 2500 Frame



Frame 2500 with Electronic Trip - not supplied with lugs

| Thermal Setting | KA Raing 480vac | Catalog Number | List | Multiplier |
|-----------------|-----------------|--------------------------------------|----------|------------|
| 1600 | 65 | UBW2500H-ELSI1600-3A | \$29,600 | Z10 |
| 1600 | 100 | UBW2500L-ELSI1600-3A | \$32,200 | Z10 |
| 2000 | 65 | UBW2500H-ELSI2000-3A | \$30,700 | Z10 |
| 2000 | 100 | UBW2500L-ELSI2000-3A | \$33,300 | Z10 |
| 2500 | 65 | UBW2500H-ELSI2500-3A | \$32,400 | Z10 |
| 2500 | 100 | UBW2500L-ELSI2500-3A | \$35,200 | Z10 |

Frame 2500 with Electronic Trip and Maintenance Mode

| Thermal Setting | KA Raing 480vac | Catalog Number | List | Multiplier |
|-----------------|-----------------|--------------------------------------|----------|------------|
| 1600 | 65 | UBW2500H-ELSI1600-3A | \$32,300 | Z10 |
| 1600 | 100 | UBW2500L-ELSI1600-3A | \$34,900 | Z10 |
| 2000 | 65 | UBW2500H-ELSI2000-3A | \$33,300 | Z10 |
| 2000 | 100 | UBW2500L-ELSI2000-3A | \$36,000 | Z10 |
| 2500 | 65 | UBW2500H-ELSI2500-3A | \$35,000 | Z10 |
| 2500 | 100 | UBW2500L-ELSI2500-3A | \$37,900 | Z10 |

Auxiliary Mounting positions for Frames 250 to 2500

225 Frame Factory Installed only

| WEG Catalog Number | Description | List | Factory Installed Option Code | List Adder |
|--------------------|--------------------------------|------------|-------------------------------|------------|
| AX UBW225 | AUXILIARY SWITCH | \$349.05 | A1 | \$350.00 |
| AL UBW225 | ALARM SWITCH | \$349.05 | A2 | \$350.00 |
| AXAL UBW225 | AUX/ALARM SWITCH | \$432.00 | A3 | \$350.00 |
| SHT UBW225 E59 | SHUNT TRIP 12-24AC/DC | \$437.14 | S | \$350.00 |
| SHT UBW225 E58 | SHUNT TRIP 48-120AC/48-60DC | \$437.14 | SS | \$350.00 |
| SHT UBW225 E62 | SHUNT TRIP 208-380AC/110-127DC | \$437.14 | S0 | \$350.00 |
| UVT UBW225 C03 | UNDERVOLTAGE RELEASE 24DC | \$437.14 | 11 | \$350.00 |
| UVT UBW225 D60 | UNDERVOLTAGE RELEASE 110-125AC | \$437.14 | 12 | \$350.00 |
| UVT UBW225 D96 | UNDERVOLTAGE RELEASE 208-240AC | \$437.14 | 13 | \$350.00 |
| AX UBW250 | AUXILIARY SWITCH | \$445.71 | A1 | \$350.00 |
| AL UBW250 | ALARM SWITCH | \$445.71 | A2 | \$350.00 |
| AXAL UBW250 | AUX/ALARM SWITCH | \$527.14 | A3 | \$350.00 |
| SHT UBW250 E59 | SHUNT TRIP 12-24AC/DC | \$587.14 | S1 | \$350.00 |
| SHT UBW250 E61 | SHUNT TRIP 100-240AC/110-125DC | \$587.14 | S2 | \$350.00 |
| UVT UBW250 C03 | UNDERVOLTAGE RELEASE 24DC | \$587.14 | 21 | \$350.00 |
| UVT UBW250 D60 | UNDERVOLTAGE RELEASE 110-125AC | \$587.14 | 22 | \$350.00 |
| UVT UBW250 D96 | UNDERVOLTAGE RELEASE 208-240AC | \$587.14 | 23 | \$350.00 |
| AX UBW400 | AUXILIARY SWITCH | \$557.41 | A1 | \$350.00 |
| AL UBW400 | ALARM SWITCH | \$557.41 | A2 | \$350.00 |
| AXAL UBW400 | AUX/ALARM SWITCH | \$628.29 | A3 | \$350.00 |
| SHT UBW400 E59 | SHUNT TRIP 12-24AC/DC | \$627.43 | S3 | \$350.00 |
| SHT UBW400 E61 | SHUNT TRIP 100-240AC/110-125DC | \$627.43 | S4 | \$350.00 |
| UVT UBW400 C03 | UNDERVOLTAGE RELEASE 24DC | \$627.43 | 31 | \$350.00 |
| UVT UBW400 D60 | UNDERVOLTAGE RELEASE 110-125AC | \$627.43 | 32 | \$350.00 |
| UVT UBW400 D96 | UNDERVOLTAGE RELEASE 208-240AC | \$627.43 | 33 | \$350.00 |
| AX UBW800^ | AUXILIARY SWITCH | \$698.67 | A1 | \$450.00 |
| AL UBW800^ | ALARM SWITCH | \$698.67 | A2 | \$450.00 |
| AXAL UBW800^ | AUX/ALARM SWITCH | \$772.29 | A3 | \$450.00 |
| SHT UBW800 E60^ | SHUNT TRIP 9-24AC/12-24DC | \$873.24 | S5 | \$450.00 |
| SHT UBW8000 D95^ | SHUNT TRIP 100-240AC | \$873.24 | S6 | \$450.00 |
| UVT UBW800 C03^ | UNDERVOLTAGE RELEASE 24DC | \$873.24 | 41 | \$450.00 |
| UVT UBW800 D60^ | UNDERVOLTAGE RELEASE 110-127AC | \$873.24 | 42 | \$450.00 |
| UVT UBW800 D96^ | UNDERVOLTAGE RELEASE 208-240AC | \$873.24 | 43 | \$450.00 |
| AX UBW1200 | AUXILIARY SWITCH | \$771.43 | A1 | \$650.00 |
| AL UBW1200 | ALARM SWITCH | \$771.43 | A2 | \$650.00 |
| AXAL UBW1200 | AUX/ALARM SWITCH | \$865.71 | A3 | \$650.00 |
| SHT UBW1200 E60 | SHUNT TRIP 9-24AC/12-24DC | \$964.29 | S7 | \$650.00 |
| SHT UBW1200 D95 | SHUNT TRIP 100-240AC | \$964.29 | S8 | \$650.00 |
| UVT UBW1200 C03 | UNDERVOLTAGE RELEASE 24DC | \$964.29 | 51 | \$650.00 |
| UVT UBW1200 D60 | UNDERVOLTAGE RELEASE 110-127AC | \$964.29 | 52 | \$650.00 |
| UVT UBW1200 D96 | UNDERVOLTAGE RELEASE 208-240AC | \$964.29 | 53 | \$650.00 |
| AX UBW2500 | AUXILIARY SWITCH | \$1,034.19 | A1 | \$650.00 |
| AL UBW2500 | ALARM SWITCH | \$1,034.19 | A2 | \$650.00 |
| SHT UBW2500 E26 | SHUNT TRIP 24AC/DC | \$1,157.14 | S9 | \$650.00 |
| SHT UBW1200 D95 | SHUNT TRIP 100-240AC | \$1,157.14 | S10 | \$650.00 |
| UVT UBW2500 C03 | UNDERVOLTAGE RELEASE 24DC | \$1,157.14 | 61 | \$650.00 |
| UVT UBW2500 D60 | UNDERVOLTAGE RELEASE 110-127AC | \$1,157.14 | 62 | \$650.00 |
| UVT UBW2500 D96 | UNDERVOLTAGE RELEASE 208-240AC | \$1,157.14 | 63 | \$650.00 |

^ For both UBW600 and UBW800 products
For Option Positions see page 33

Lugs

All WEG UBW Circuit Breaker supplied with Line/Load Lugs


Standard Lugs

| Frame | Part Number | Conductor Count | Wire Size/Range | Lugs Count | List | Multiplier |
|-------|-----------------------------|-----------------|-----------------|------------|-----------------|------------|
| 225 | LT3-UBW225 | 1 | 14-4/0 AWG | 3 | \$274.29 | Z10 |
| 250 | LT1-UBW255 | 1 | 4-350 | 1 | \$73.09 | Z10 |
| 400 | LT3-UBW400 | 2 | 3/0-250 | 3 | \$196.57 | Z10 |
| 400 | LT1-UBW400 | 1 | 250-500 | 1 | \$65.52 | Z10 |
| 400 | LT3D-UBW400 | 1 | 400-500 | 3 | \$252.95 | Z10 |
| 600 | LT3-UBW600 | 2 | 4/0-600 | 3 | \$310.86 | Z10 |

Multi-Wire Lugs (Load Side Only)

| Frame | Part Number | Conductor Count | Wire Size/Range | Lugs Count | List | Multiplier |
|-------|-------------------------------|-----------------|-----------------|------------|-----------------|------------|
| 225 | WT3-UBW225 | 3 | 14-2 | 1 | \$212.10 | Z10 |
| 225 | WT6-UBW225 | 6 | 14-6 | 1 | \$212.10 | Z10 |
| 250 | WT3-UBW250 | 3 | 14-2 | 1 | \$370.76 | Z10 |
| 250 | WT6-UBW250 | 6 | 14-6 | 1 | \$370.76 | Z10 |
| 400 | WT3-UBW400 | 3 | 12-2/0 | 1 | \$382.29 | Z10 |
| 400 | WT6-UBW400 | 6 | 14-3 | 1 | \$382.29 | Z10 |
| 600 | LT1D-UBW450 | 2 | 4-4/0 | 1 | \$156.95 | Z10 |
| 800 | LT1A2-UBW800 | 3 | 3/0-400 | 1 | \$172.19 | Z10 |
| 800 | LT1A1-UBW700 | 2 | 1-500 | 1 | \$126.48 | Z10 |
| 800 | LT1A-UBW800 | 2 | 500-750 KCMIL | 1 | \$219.63 | Z10 |
| 1200 | LT1B2-UBW700 | 2 | 1-500 | 1 | \$121.50 | Z10 |
| 1200 | LT1B3-UBW1000 | 3 | 3/0-400 | 1 | \$163.79 | Z10 |
| 1200 | LT1B4-UBW1200 | 4 | 4/0-500 | 1 | \$230.14 | Z10 |
| 2500 | LT1B3-UBW1200 | 2 | 1-500 | 1 | \$243.00 | Z10 |
| 2500 | LT1A-UBW1600 | 4 | 500-1000 | 1 | \$333.71 | Z10 |
| 2500 | LT1C-UBW1600 | 4 | 1-600 | 1 | \$530.29 | Z10 |
| 2500 | RT1-UBW2000 | 4 | 1-600 | 1 | \$299.57 | Z10 |
| 2500 | RT1-UBW2500 | 6 | 2-600 | 1 | \$641.14 | Z10 |

** Metric Mounting Hardware

UBW



Handle/Mechanism/Shafts NEMA 1/3R/12

| Part Number | Description | List | Multiplier |
|-------------------------------|--------------------------------|-----------------|------------|
| EHC6-UBW225 | Handle + Mechanism + Shaft 6" | \$372.86 | Z10 |
| EHC12-UBW225 | Handle + Mechanism + Shaft 12" | \$384.29 | Z10 |
| EHC16-UBW225 | Handle + Mechanism + Shaft 16" | \$410.00 | Z10 |
| EHC24-UBW225 | Handle + Mechanism + Shaft 24" | \$437.33 | Z10 |
| EHC6-UBW250 | Handle + Mechanism + Shaft 6" | \$385.71 | Z10 |
| EHC12-UBW250 | Handle + Mechanism + Shaft 12" | \$397.24 | Z10 |
| EHC16-UBW250 | Handle + Mechanism + Shaft 16" | \$497.90 | Z10 |
| EHC24-UBW250 | Handle + Mechanism + Shaft 24" | \$517.43 | Z10 |
| EHC6-UBW400 | Handle + Mechanism + Shaft 6" | \$393.33 | Z10 |
| EHC12-UBW400 | Handle + Mechanism + Shaft 12" | \$407.71 | Z10 |
| EHC16-UBW400 | Handle + Mechanism + Shaft 16" | \$482.29 | Z10 |
| EHC24-UBW400 | Handle + Mechanism + Shaft 24" | \$530.95 | Z10 |
| EHC6-UBW800^ | Handle + Mechanism + Shaft 6" | \$544.76 | Z10 |
| EHC12-UBW800^ | Handle + Mechanism + Shaft 12" | \$557.05 | Z10 |
| EHC16-UBW800^ | Handle + Mechanism + Shaft 16" | \$650.19 | Z10 |
| EHC24-UBW800^ | Handle + Mechanism + Shaft 24" | \$679.43 | Z10 |
| EHG6-UBW1200 | Handle + Mechanism + Shaft 6" | \$656.33 | Z10 |
| EHG12-UBW1200 | Handle + Mechanism + Shaft 12" | \$573.05 | Z10 |
| EHG16-UBW1200 | Handle + Mechanism + Shaft 16" | \$679.43 | Z10 |
| EHG24-UBW1200 | Handle + Mechanism + Shaft 24" | \$709.76 | Z10 |

^ For both UBW600 and UBW800 products

Note: UBW 2500 utilizes flange mount mechanism only. Rotary handle is not available.

Handle/Mechanism/Shafts NEMA 4/4X

| Part Number | Description | List | Multiplier |
|--------------------------------|--------------------------------|-----------------|------------|
| EHC6X-UBW225 | Handle + Mechanism + Shaft 6" | \$468.57 | Z10 |
| EHC12X-UBW225 | Handle + Mechanism + Shaft 12" | \$482.29 | Z10 |
| EHC16X-UBW225 | Handle + Mechanism + Shaft 16" | \$536.95 | Z10 |
| EHC24X-UBW225 | Handle + Mechanism + Shaft 24" | \$548.67 | Z10 |
| EHC6X-UBW250 | Handle + Mechanism + Shaft 6" | \$548.67 | Z10 |
| EHC12X-UBW250 | Handle + Mechanism + Shaft 12" | \$577.90 | Z10 |
| EHC16X-UBW250 | Handle + Mechanism + Shaft 16" | \$613.05 | Z10 |
| EHC24X-UBW250 | Handle + Mechanism + Shaft 24" | \$634.57 | Z10 |
| EHC6X-UBW400 | Handle + Mechanism + Shaft 6" | \$549.67 | Z10 |
| EHC12X-UBW400 | Handle + Mechanism + Shaft 12" | \$587.43 | Z10 |
| EHC16X-UBW400 | Handle + Mechanism + Shaft 16" | \$622.57 | Z10 |
| EHC24X-UBW400 | Handle + Mechanism + Shaft 24" | \$644.10 | Z10 |
| EHC6X-UBW800^ | Handle + Mechanism + Shaft 6" | \$736.10 | Z10 |
| EHC12X-UBW800^ | Handle + Mechanism + Shaft 12" | \$765.33 | Z10 |
| EHC16X-UBW800^ | Handle + Mechanism + Shaft 16" | \$804.38 | Z10 |
| EHC24X-UBW800^ | Handle + Mechanism + Shaft 24" | \$804.38 | Z10 |
| EHG6X-UBW1200 | Handle + Mechanism + Shaft 6" | \$765.33 | Z10 |
| EHG12X-UBW1200 | Handle + Mechanism + Shaft 12" | \$784.86 | Z10 |
| EHG16X-UBW1200 | Handle + Mechanism + Shaft 16" | \$833.71 | Z10 |
| EHG24X-UBW1200 | Handle + Mechanism + Shaft 24" | \$833.71 | Z10 |

Note: UBW 2500 utilizes flange mount mechanism only. Rotary handle is not available.
 ^ For both UBW600 and UBW800 products



Flange Handle 1/3R/12

| Part Number | Description | List | Multiplier |
|--------------------------|-------------------------|------------|------------|
| FHP3-UBW225 | Flexible Shaft 3' Cable | \$871.11 | Z10 |
| FHP5-UBW225 | Flexible Shaft 5' Cable | \$906.67 | Z10 |
| FHP6-UBW225 | Flexible Shaft 6' Cable | \$933.33 | Z10 |
| FHP3-UBW250 | Flexible Shaft 3' Cable | \$1,022.22 | Z10 |
| FHP5-UBW250 | Flexible Shaft 5' Cable | \$1,056.00 | Z10 |
| FHP6-UBW250 | Flexible Shaft 6' Cable | \$1,073.60 | Z10 |
| FHP3-UBW400 | Flexible Shaft 3' Cable | \$1,102.22 | Z10 |
| FHP5-UBW400 | Flexible Shaft 5' Cable | \$1,144.00 | Z10 |
| FHP6-UBW400 | Flexible Shaft 6' Cable | \$1,160.44 | Z10 |
| FHP5-UBW800 [^] | Flexible Shaft 5' Cable | \$1,379.92 | Z10 |
| FHP6-UBW800 [^] | Flexible Shaft 6' Cable | \$1,442.04 | Z10 |
| FHP5-UBW1200 | Flexible Shaft 5' Cable | \$1,426.76 | Z10 |
| FHP6-UBW1200 | Flexible Shaft 6' Cable | \$1,591.11 | Z10 |
| FHP5-UBW2500 | Flexible Shaft 5' Cable | \$1,608.62 | Z10 |
| FHP6-UBW2500 | Flexible Shaft 6' Cable | \$1,648.71 | Z10 |

[^] For both UBW600 and UBW800 products

Flange Handle 4/4X

| Part Number | Description | List | Multiplier |
|---------------------------|-------------------------|------------|------------|
| FHP3X-UBW225 | Flexible Shaft 3' Cable | \$945.78 | Z10 |
| FHP5X-UBW225 | Flexible Shaft 5' Cable | \$1,057.76 | Z10 |
| FHP6X-UBW225 | Flexible Shaft 6' Cable | \$1,070.22 | Z10 |
| FHP3X-UBW250 | Flexible Shaft 3' Cable | \$1,141.07 | Z10 |
| FHP5X-UBW250 | Flexible Shaft 5' Cable | \$1,186.04 | Z10 |
| FHP6X-UBW250 | Flexible Shaft 6' Cable | \$1,191.47 | Z10 |
| FHP3X-UBW400 | Flexible Shaft 3' Cable | \$1,228.71 | Z10 |
| FHP5X-UBW400 | Flexible Shaft 5' Cable | \$1,259.28 | Z10 |
| FHP6X-UBW400 | Flexible Shaft 6' Cable | \$1,264.89 | Z10 |
| FHP5X-UBW800 [^] | Flexible Shaft 5' Cable | \$1,508.00 | Z10 |
| FHP6X-UBW800 [^] | Flexible Shaft 6' Cable | \$1,536.44 | Z10 |
| FHP5X-UBW1200 | Flexible Shaft 5' Cable | \$1,608.71 | Z10 |
| FHP6X-UBW1200 | Flexible Shaft 6' Cable | \$1,626.22 | Z10 |
| FHP5X-UBW2500 | Flexible Shaft 5' Cable | \$1,720.44 | Z10 |
| FHP6X-UBW2500 | Flexible Shaft 6' Cable | \$1,763.11 | Z10 |

[^] For both UBW600 and UBW800 products

WEG – On/Off Locking Mechanisms

| Frame | Part Number | Padlock Style | List |
|---------|----------------------------|---------------|-----------------|
| 225 | HL-UBW225 | HASP | \$106.76 |
| 250/400 | HL-UBW400 | HASP | \$118.19 |
| 600 | PL-UBW600 | HASP | \$173.24 |
| 800 | PL-UBW800 | HASP | \$188.43 |
| 1200 | HL-UBW1200 | HASP | \$229.00 |
| 2500 | PL-UBW2500 | HASP | \$314.10 |



WEG Padlock - PL and HL

Direct Mount Handle

| Frame | Part Number | List |
|------------------|-----------------------------|-----------------|
| 225 | DHI-UBW225 | \$321.43 |
| 400 | DHI-UBW400 | \$347.14 |
| 600 (500/600AMP) | DHI-UBW600 | \$330.00 |
| 800/800AMP | DHI-UBW600 | \$330.00 |
| 800/800AMP | EDHI-UBW800 | \$53.81 |
| 1200 | EDHI-1200 | \$78.10 |
| 2500 | EDHI-2500 | \$104.10 |



EDHI Style



DHI Style

UBW

| Frame Size | 225 | 250 | 400 | 600 | 800 | 1200 | 2500 |
|------------------------------|---|-------|---------|---------|-------|----------|----------------|
| Rated Current - In 40° C | 15,20,30,40,50,60,70,80,100,125,200,225 | 250 | 300,400 | 500,600 | 800 | 800,1200 | 1600,2000,2500 |
| No.Of Poles | 3 | 3 | 3 | 3 | 3 | 3 | 3 |
| Rated operational Voltage-Ue | 600 | 600 | 600 | 600 | 600 | 600 | 600 |
| Max Options | 2* | 2** | 2** | 2** | 2** | 2** | 3*** |
| Reference standard | UL489 | UL489 | UL489 | UL489 | UL489 | UL489 | UL489 |

*Factory Installed Only ** 1 Option-Right, 1 Option Left *** All Options Right Side Only

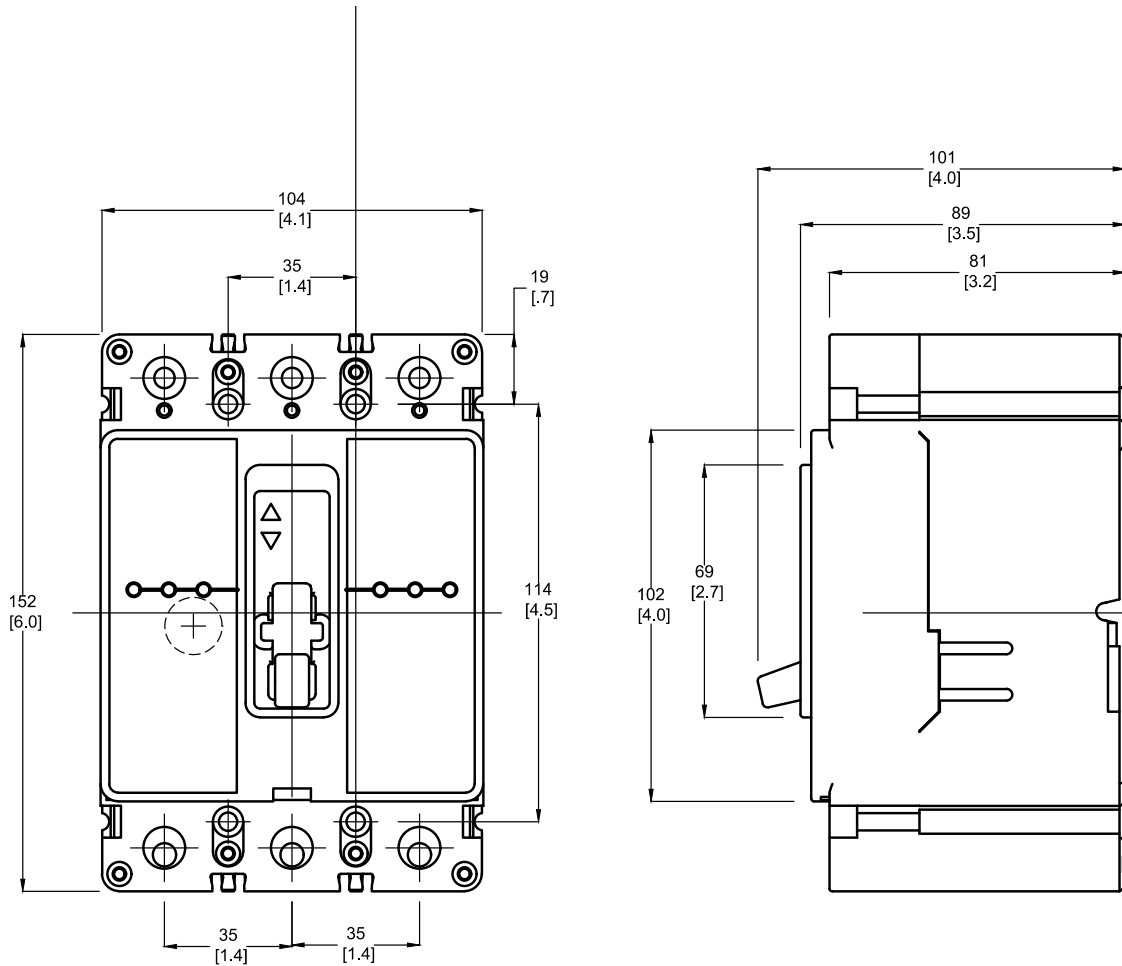
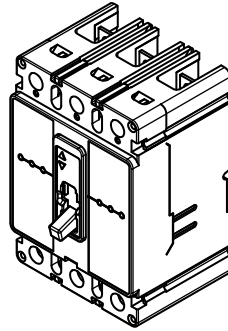
| UL interrupting rating- Icu | | N | H | L |
|-----------------------------|--------|------------|----------|----------|
| Frame 225 | 120VAC | 65kA | 100kA | 200kA |
| | 240VAC | 65kA | 100kA | 200kA |
| | 480VAC | 35kA | 65kA | 100kA |
| | 600VAC | 18kA | 25kA | 35kA |
| Frame 250 | 120VAC | 65kA | 100kA | 200kA |
| | 240VAC | 65kA | 100kA | 200kA |
| | 480VAC | 35kA | 65kA | 100kA |
| | 600VAC | 18kA | 25kA | 35kA |
| Frame 400 | 120VAC | 65kA | 100kA | 200kA |
| | 240VAC | 65kA | 100kA | 200kA |
| | 480VAC | 35kA | 65kA | 100kA |
| | 600VAC | 25kA | 35kA | 65kA |
| Frame 600 | 120VAC | 65kA | 100kA | 200kA |
| | 240VAC | 65kA | 100kA | 200kA |
| | 480VAC | 35kA | 65kA | 100kA |
| | 600VAC | 25kA | 35kA | 50kA |
| Frame 800 | | S | H | |
| | 120VAC | 65kA | 100kA | |
| | 240VAC | 65kA | 100kA | |
| | 480VAC | 50kA | 65kA | |
| | 600VAC | 25kA | 35kA | |
| Frame 1200 | | S | H | L |
| | 120VAC | 85kA | 100kA | 200kA |
| | 240VAC | 85kA | 100kA | 200kA |
| | 480VAC | 50kA | 65kA | 100kA |
| | 600VAC | 25kA | 35kA | 45kA |
| Frame 2500 | | N/A | H | L |
| | 120VAC | N/A | 125kA | 200kA |
| | 240VAC | N/A | 125kA | 200kA |
| | 480VAC | N/A | 65kA | 100kA |
| | 600VAC | N/A | 50kA | 65kA |

Options available for all

| |
|--------------------------|
| Frame Sizes: |
| Auxiliary Contacts* |
| Alarm Contacts* |
| Shunt Trip Units * |
| Undervoltage Trip Units* |

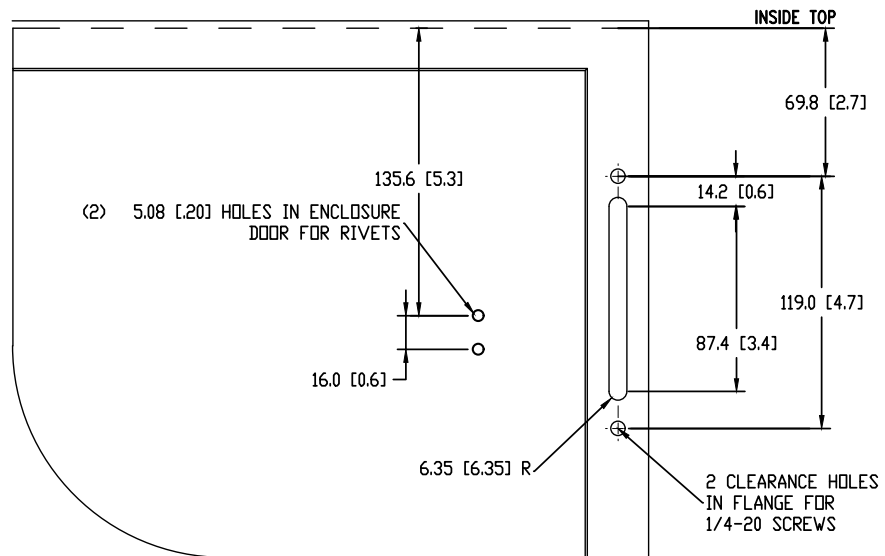
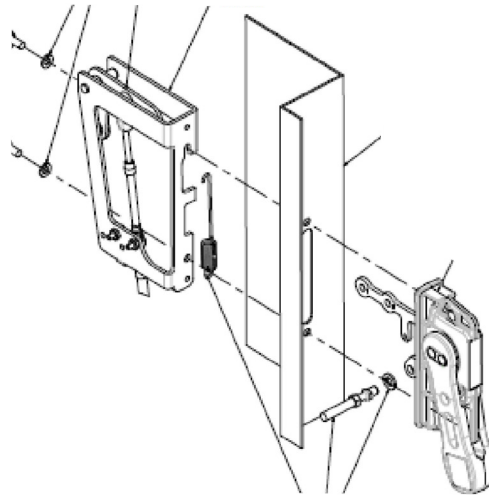
* 225 Frame must be Factory Installed

Dimensions Frame 225

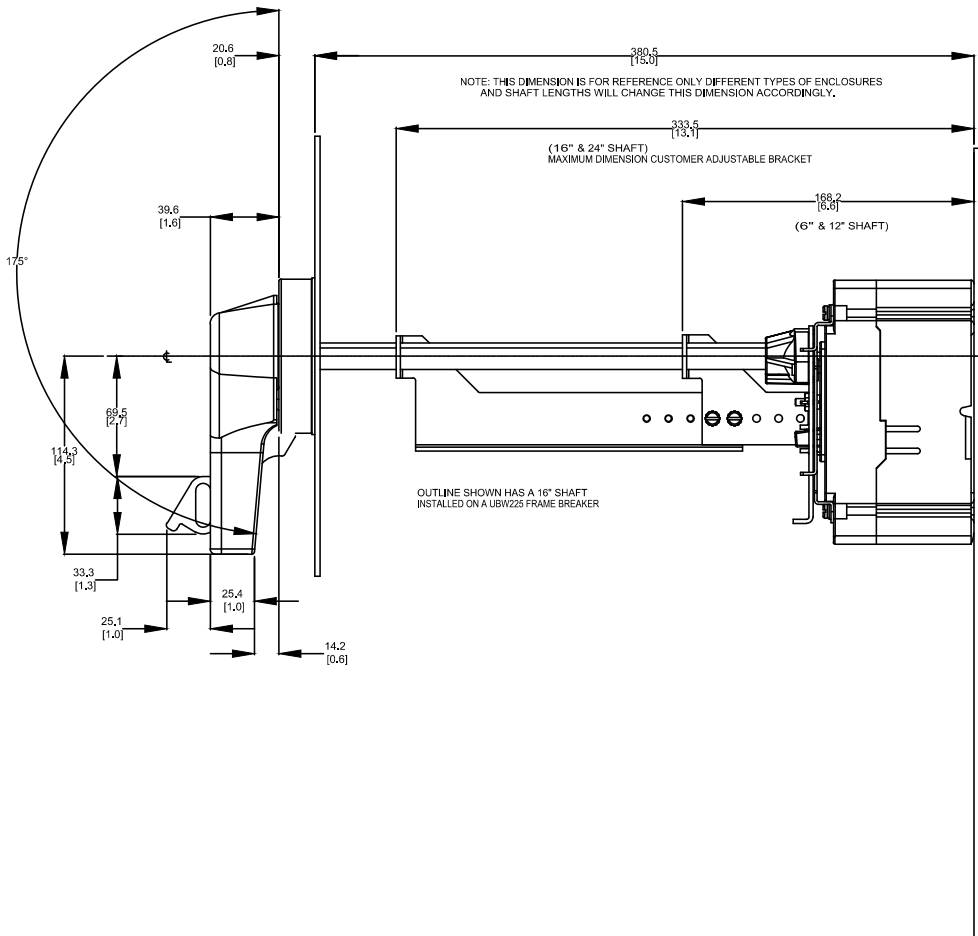
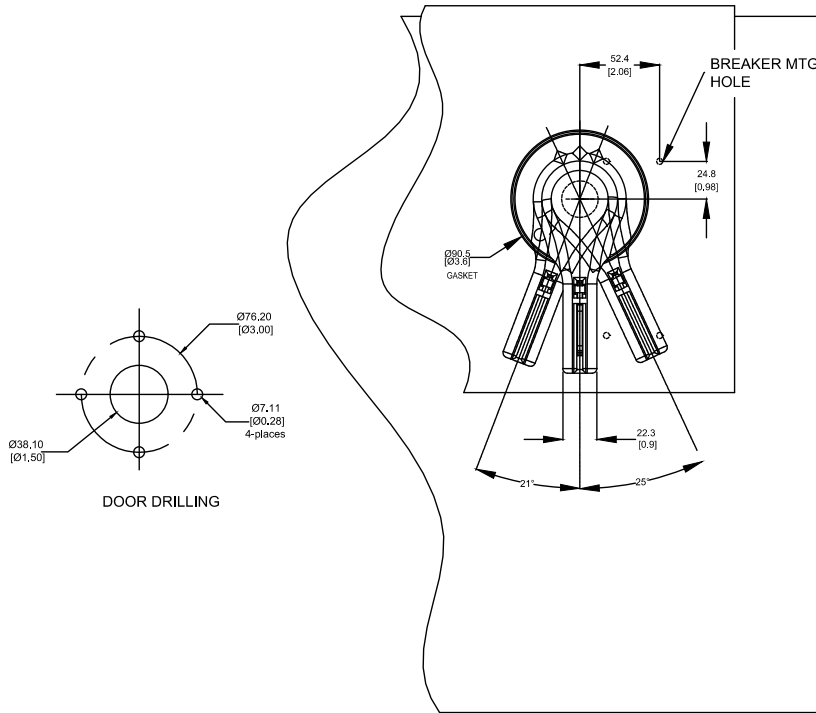


UBW

Dimensions Frame 225 - Flange Handle

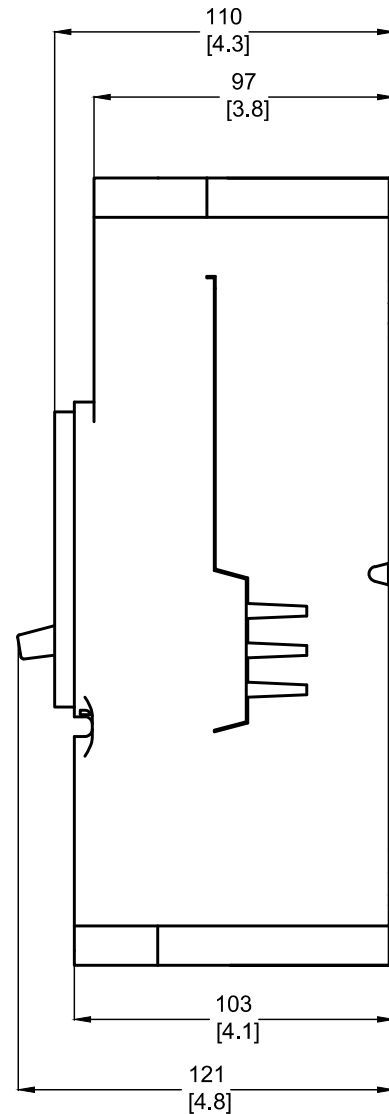
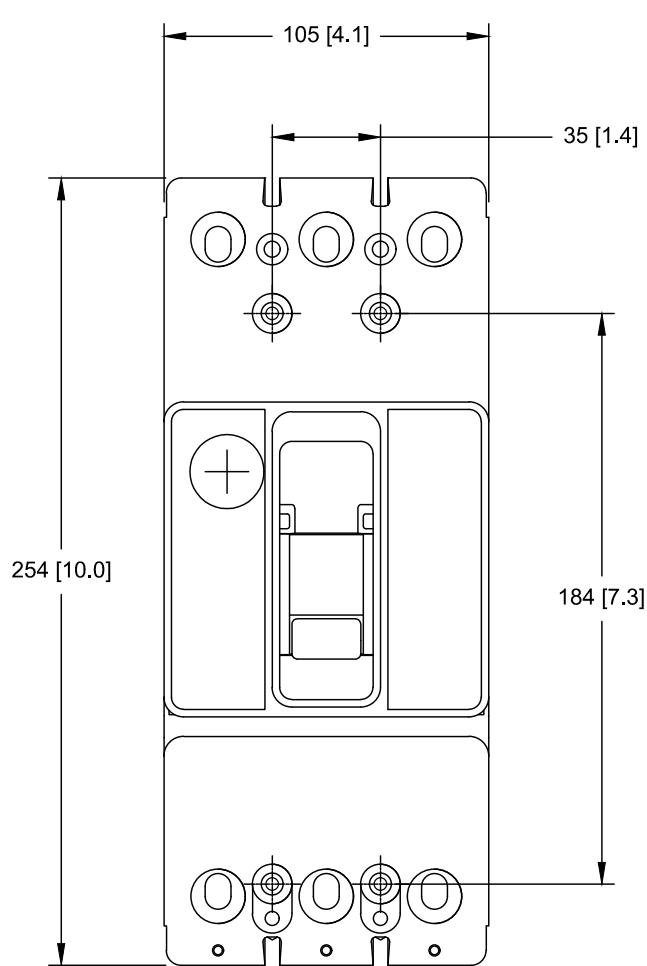
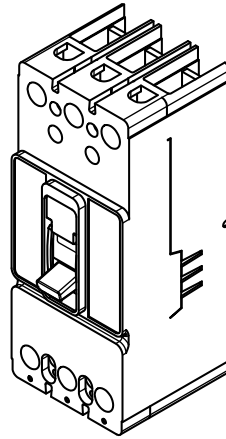


Dimensions Frame 225 - Rotary Handle

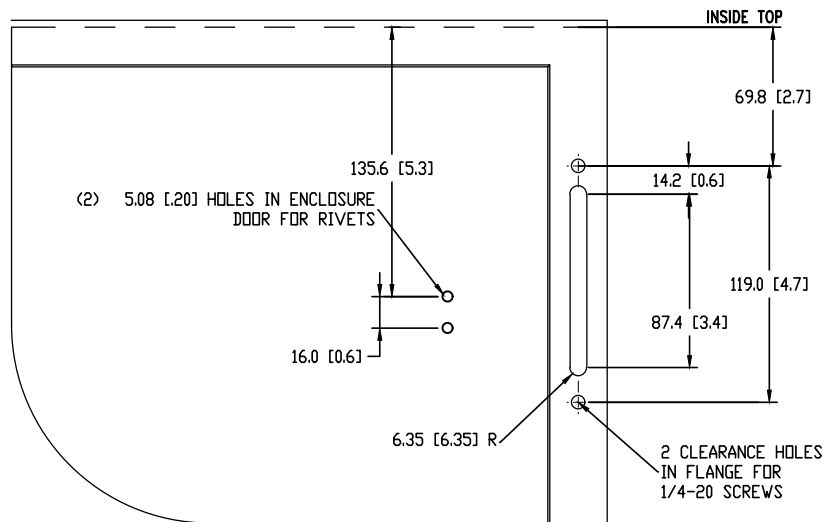
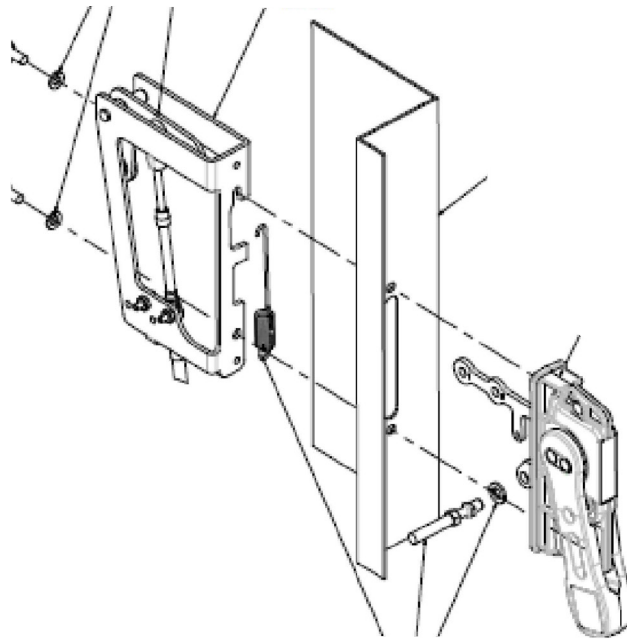


UBW

Dimensions Frame 250

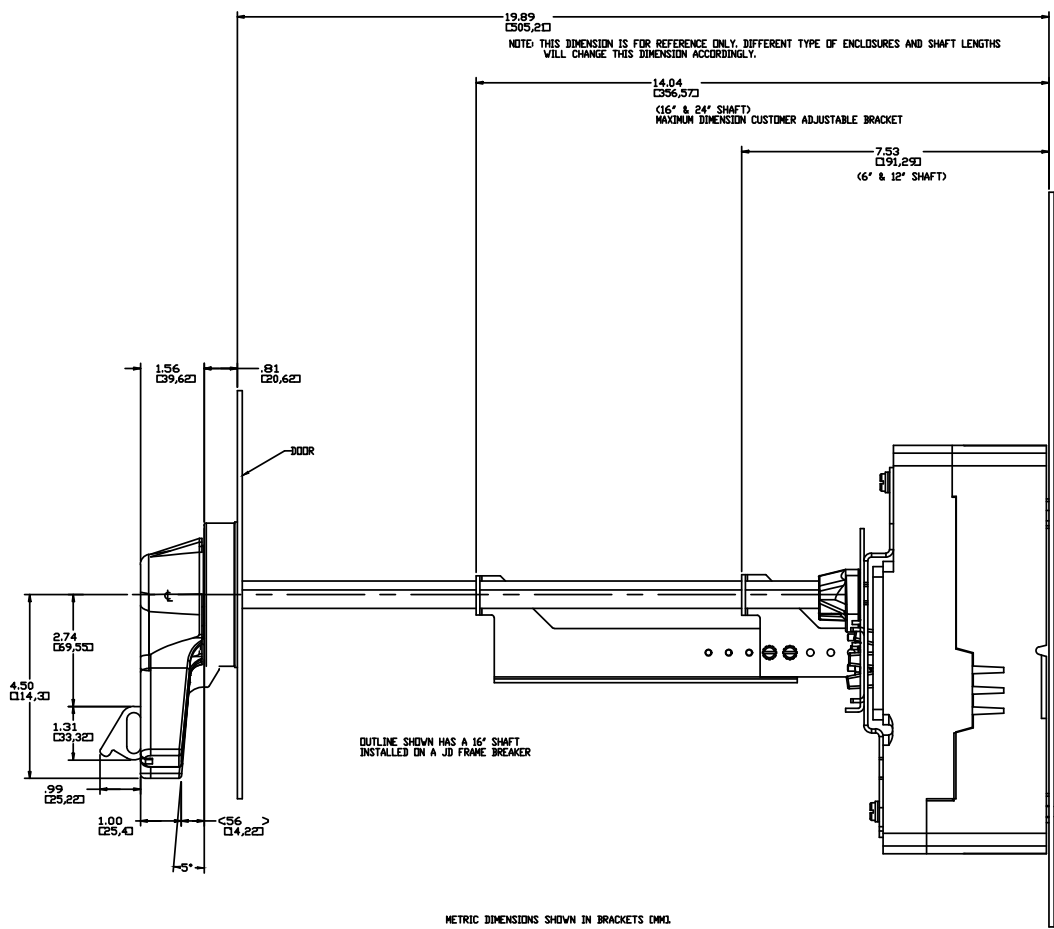
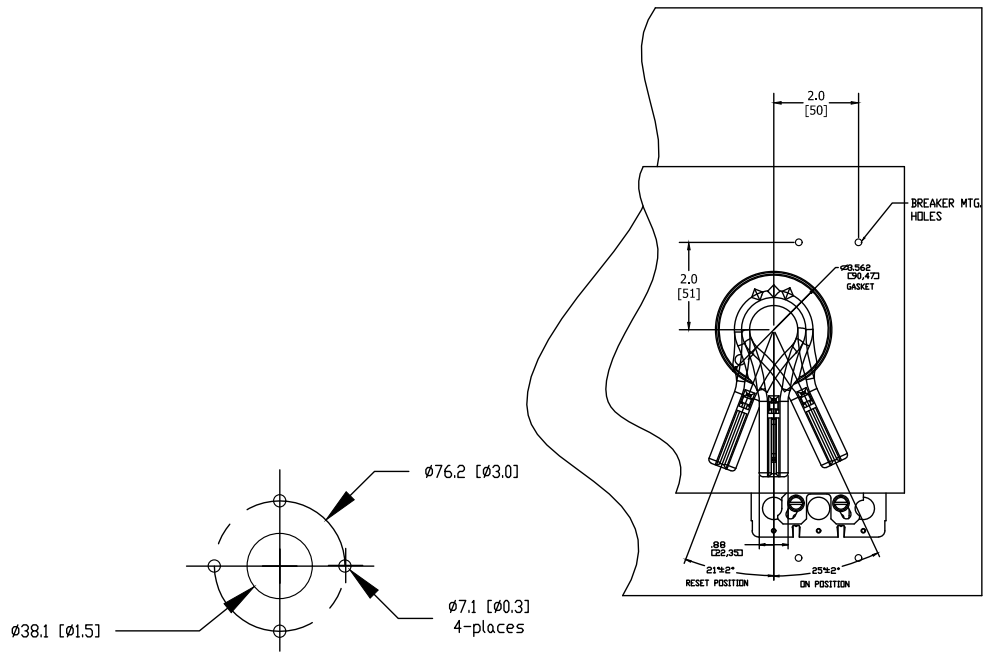


Dimensions Frame 250 - Flange Handle



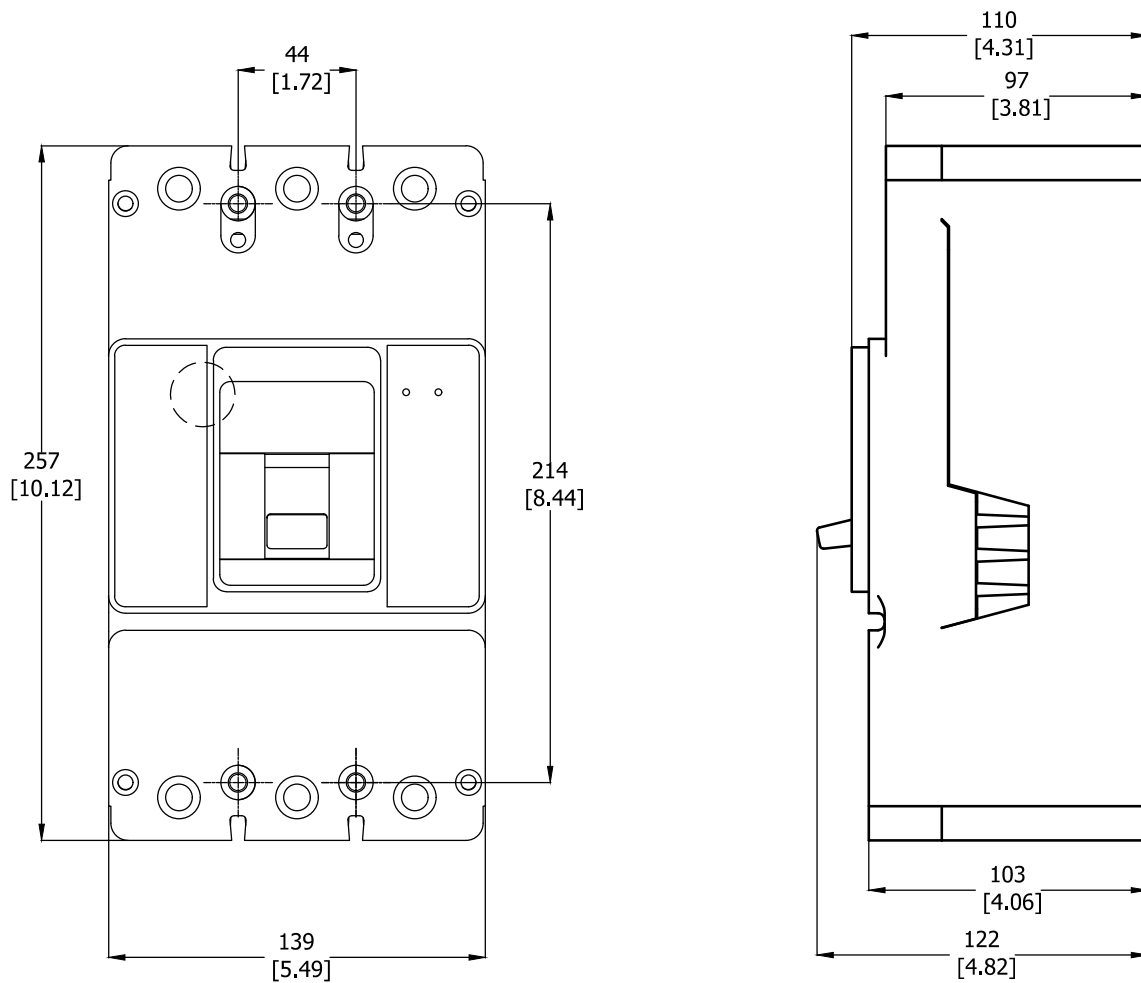
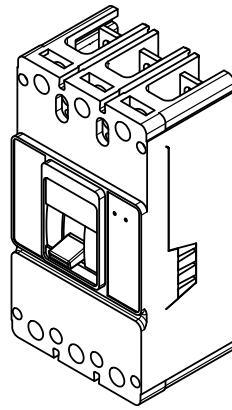
UBW

Dimensions Frame 250 - Rotary Handle



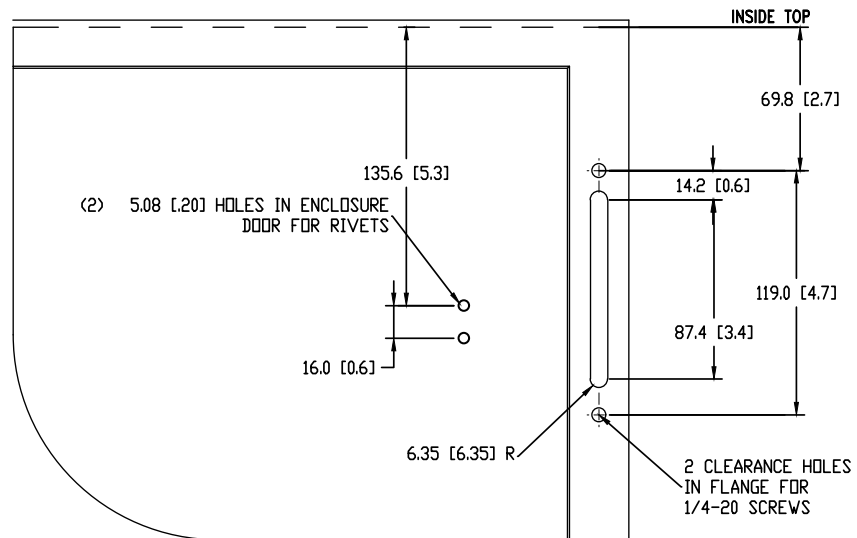
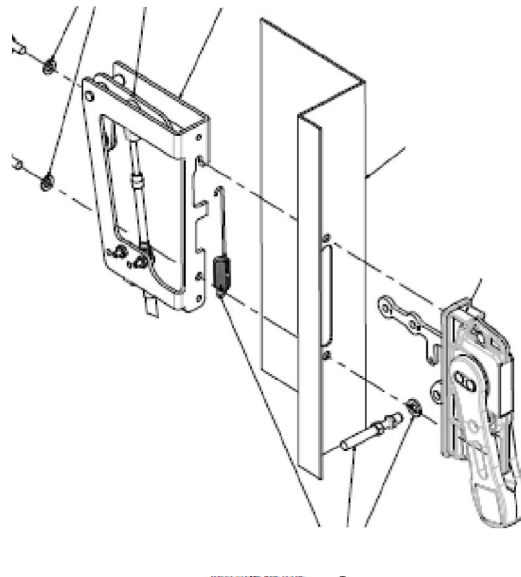
METRIC DIMENSIONS SHOWN IN BRACKETS ONLY.

Dimensions Frame 400

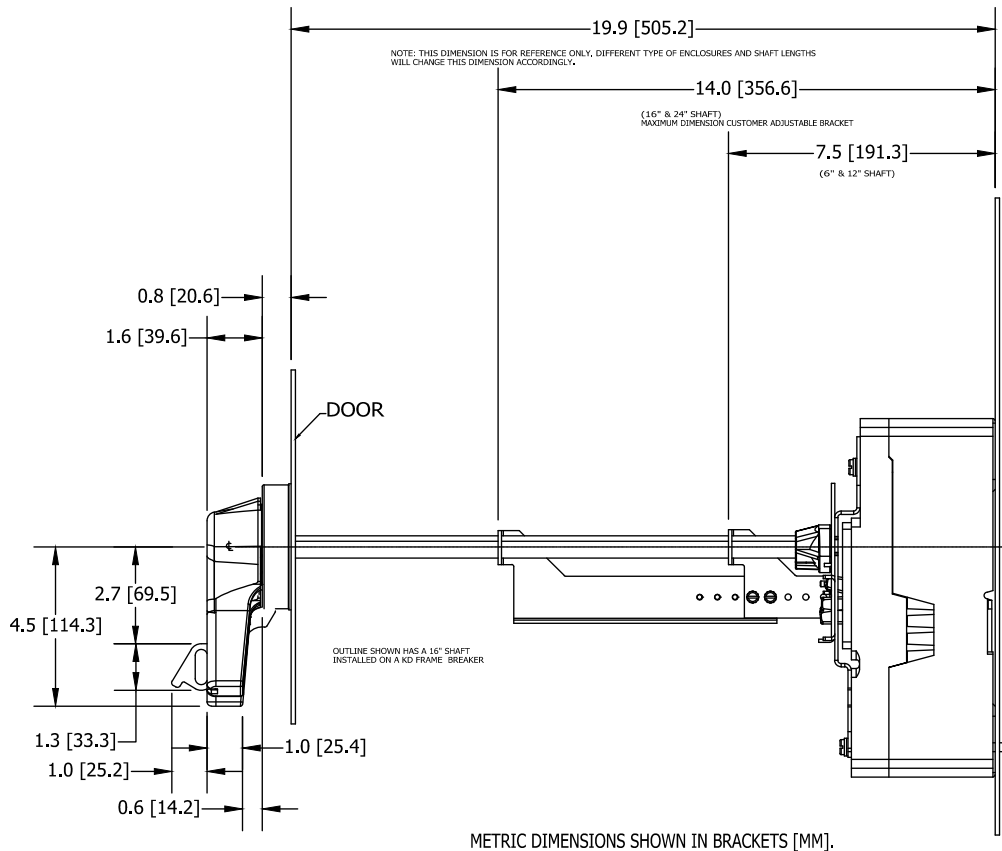
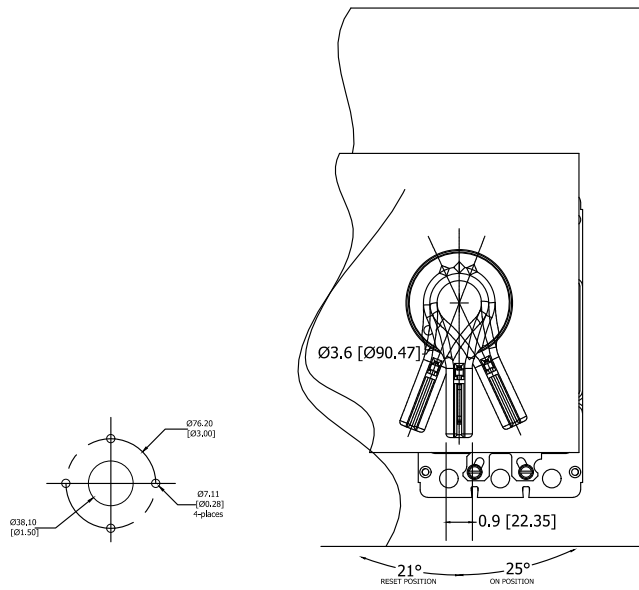


UBW

Dimensions Frame 400 - Flange Handle

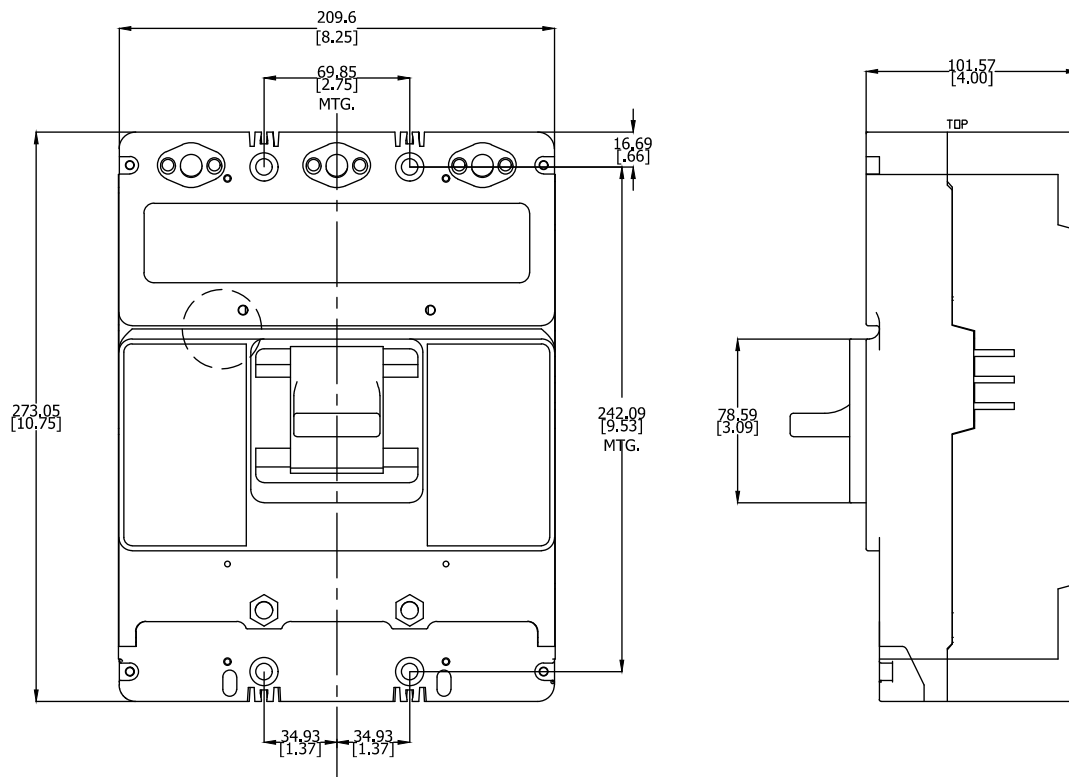
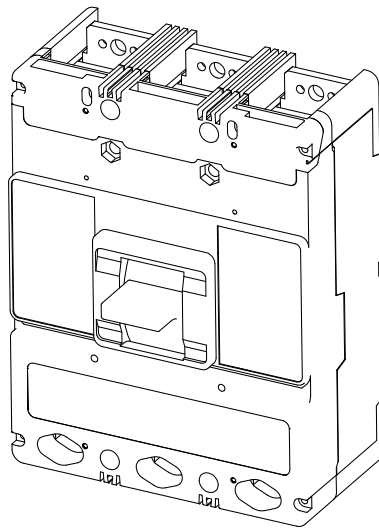


Dimensions Frame 400 - Rotary Handle

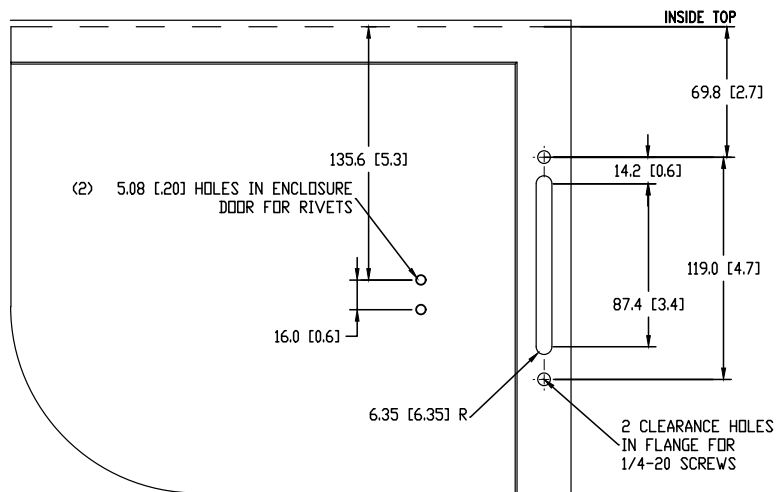
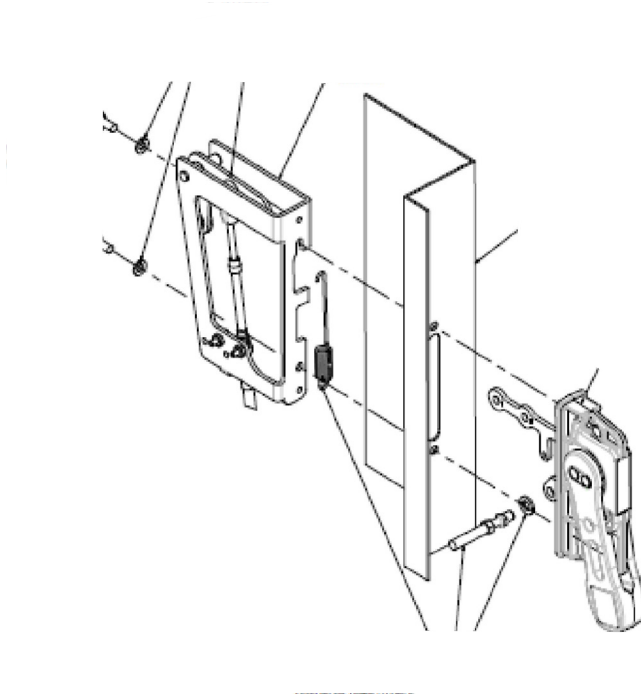


UBW

Dimensions Frame 600

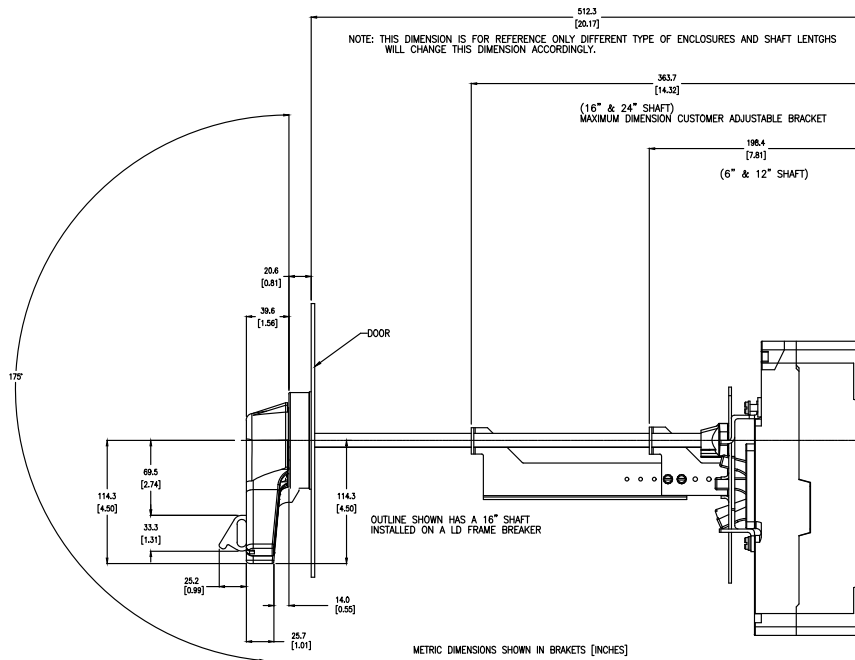
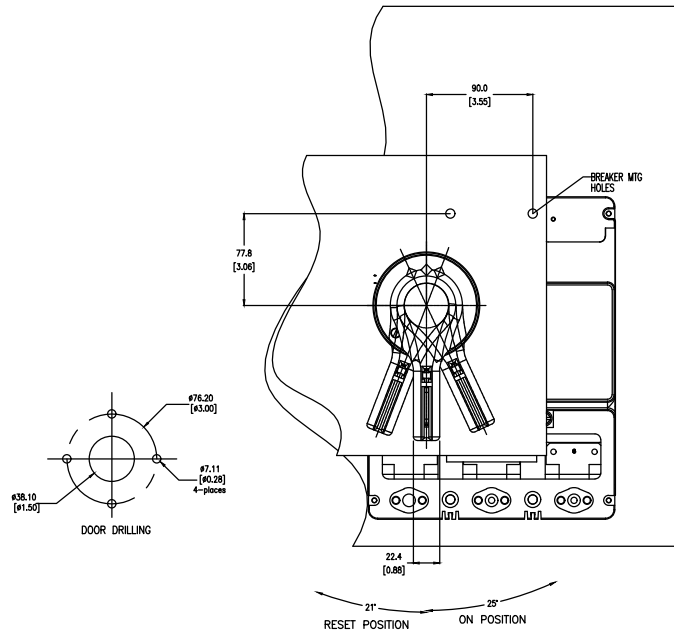


Dimensions Frame 600 - Flange Handle

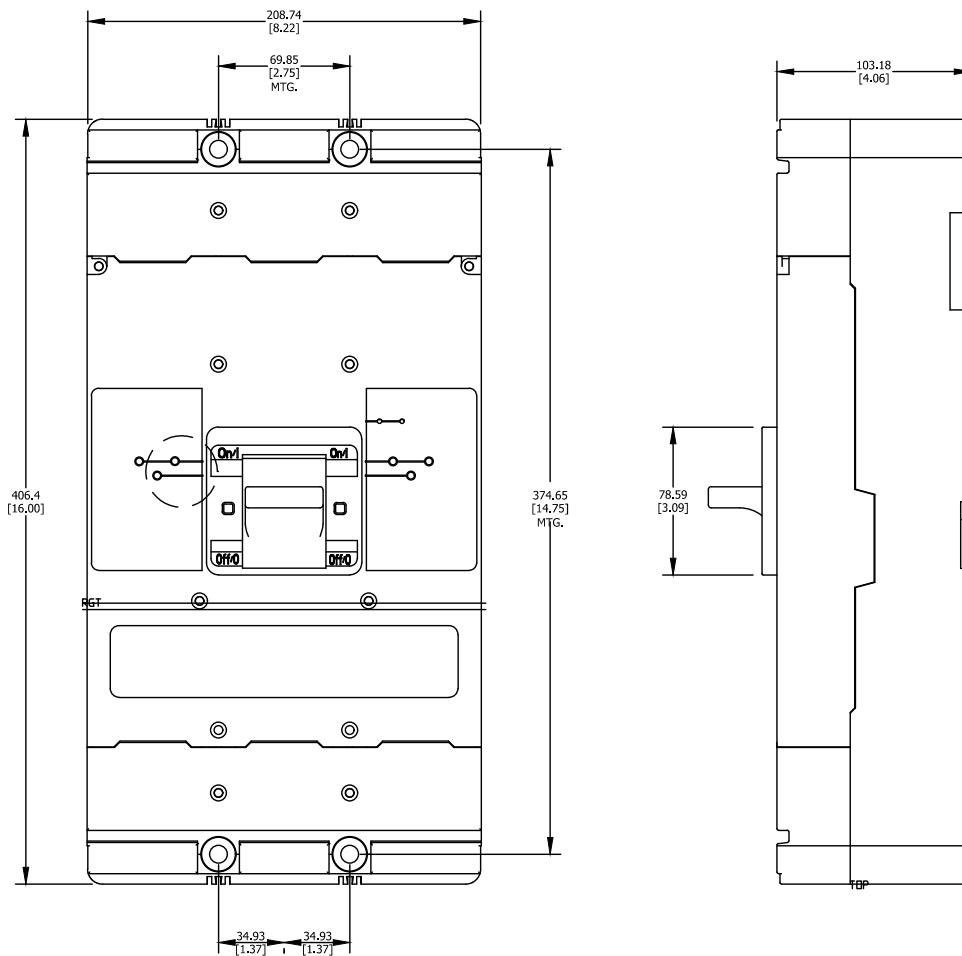
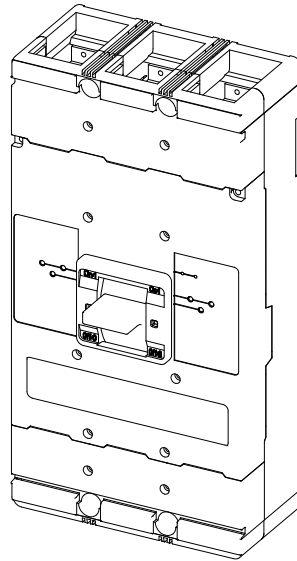


UBW

Dimensions Frame 600 - Rotary Handle

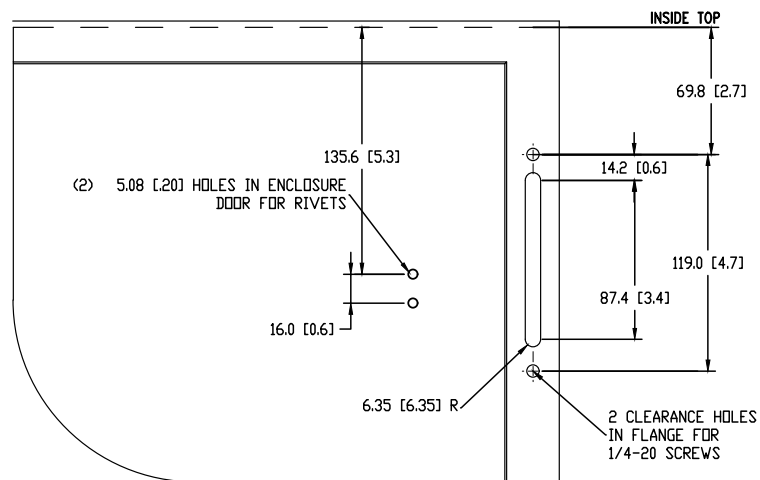
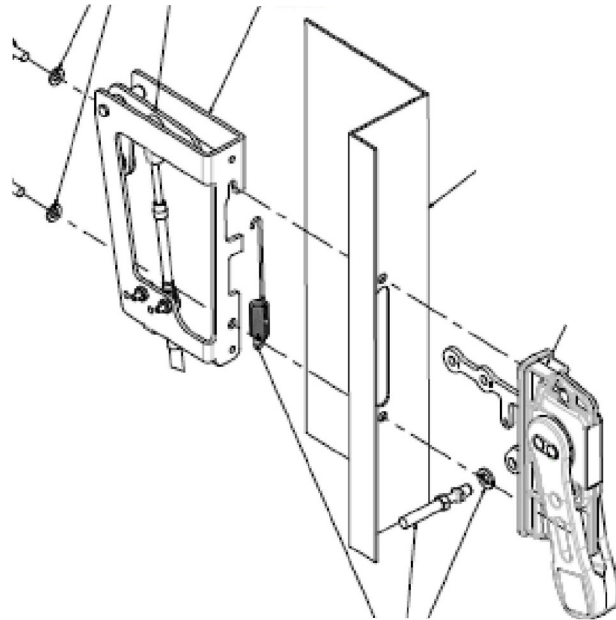


Dimensions Frame 800

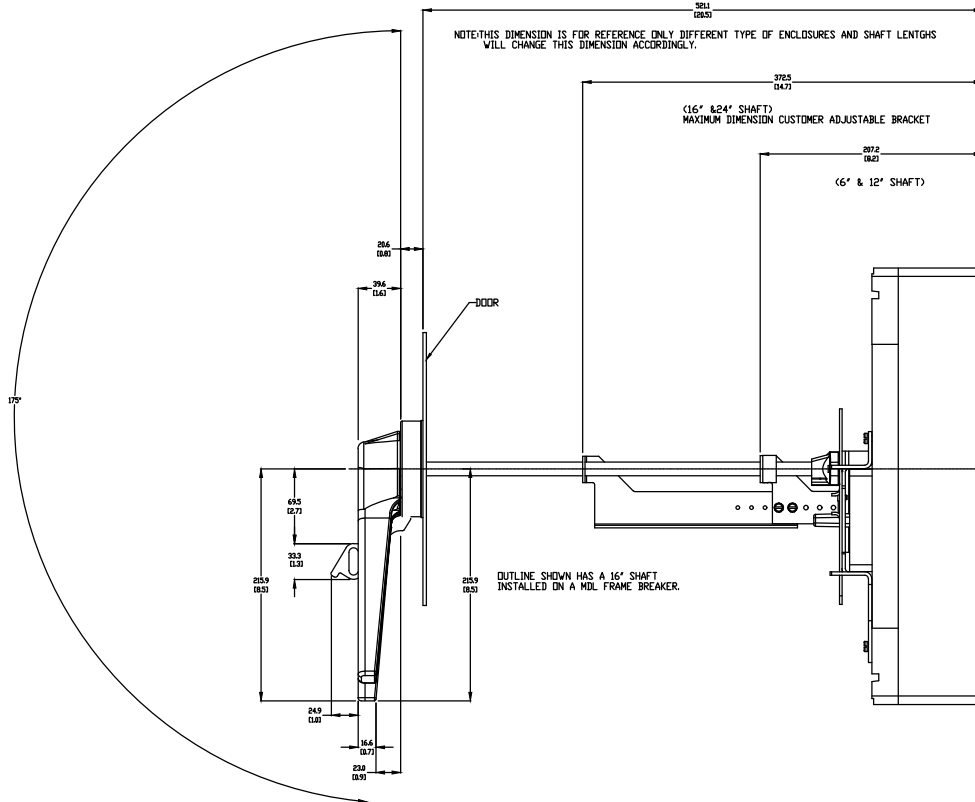
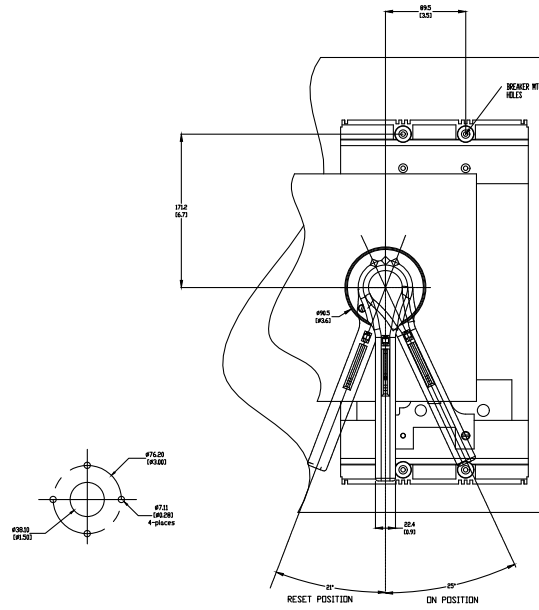


UBW

Dimensions Frame 800 - Flange Handle

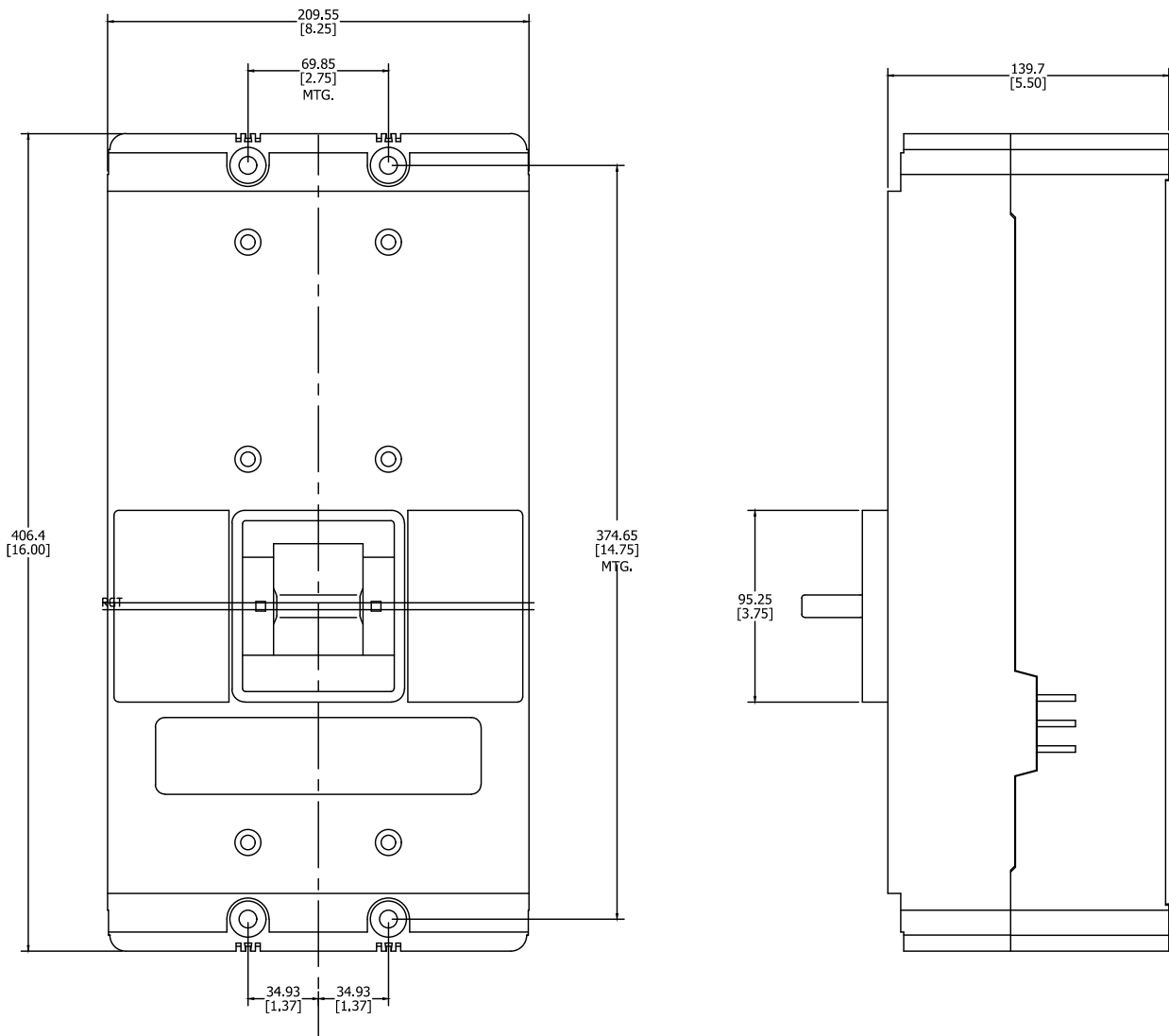
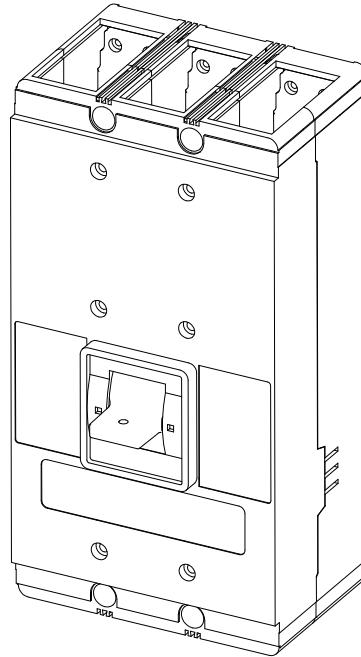


Dimensions Frame 800 - Rotary Handle

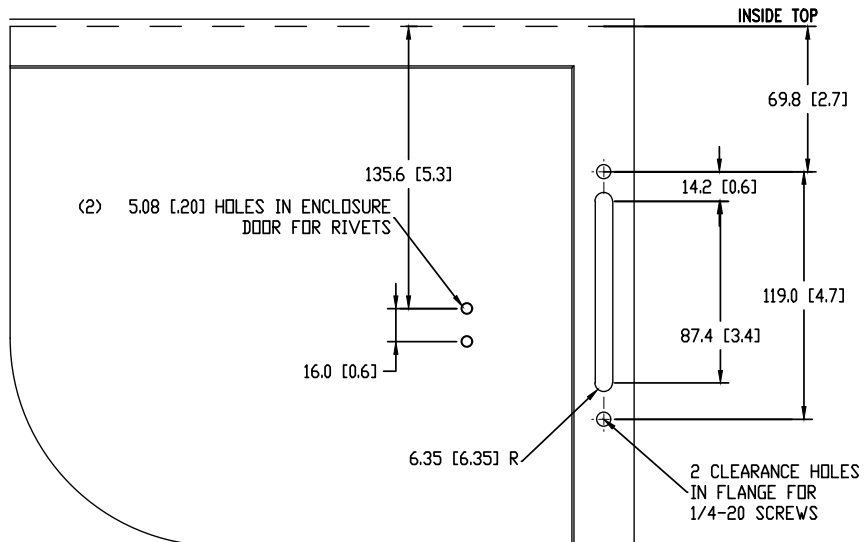
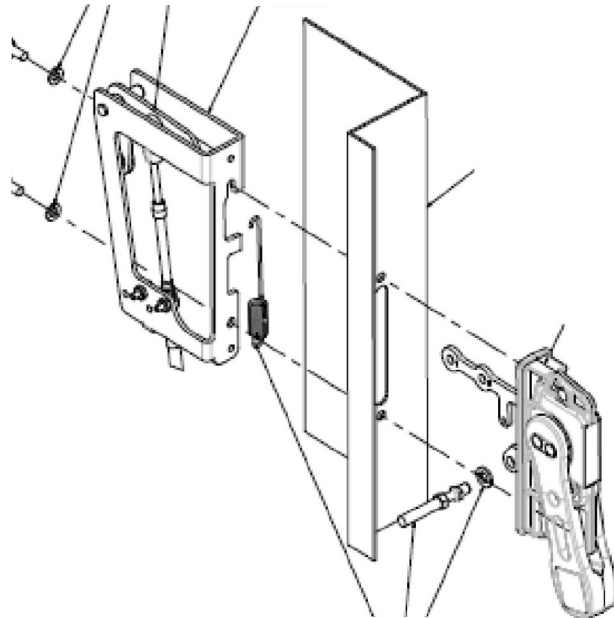


METRIC DIMENSIONS SHOWN IN BRACKETS (MM).

UBW Dimensions Frame 1200

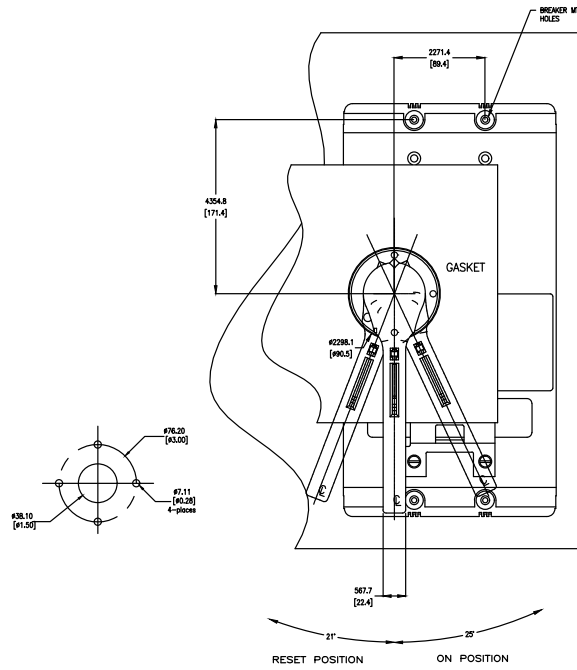


Dimensions Frame 1200 - Flange Handle

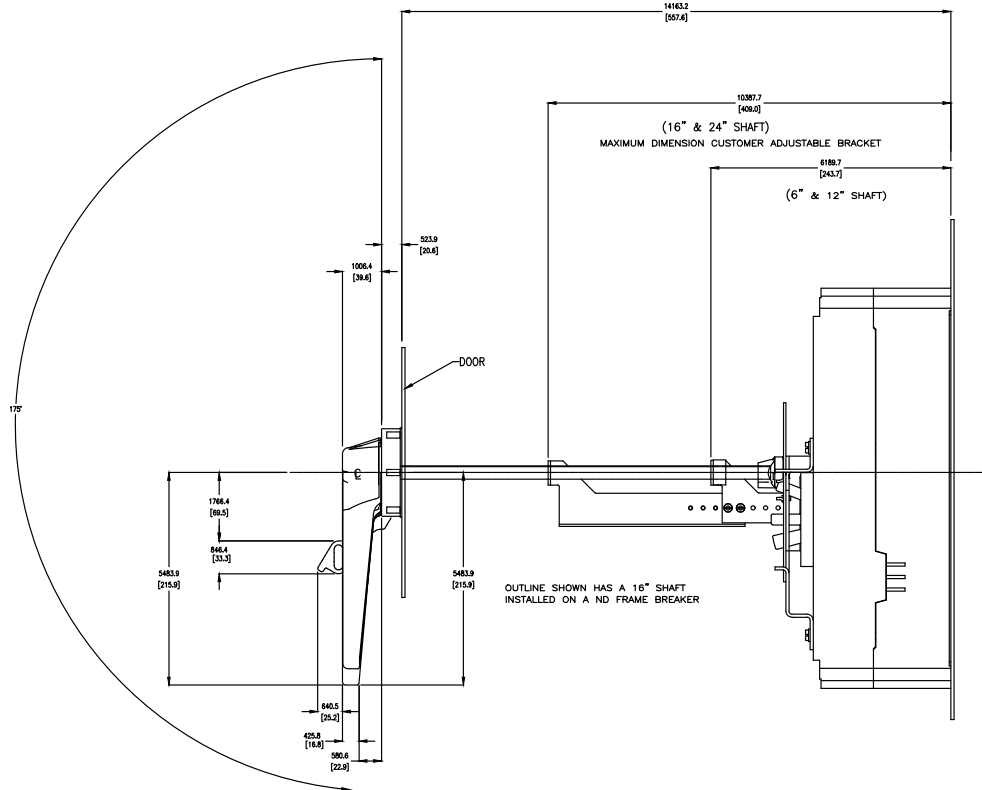


UBW

Dimensions Frame 1200 - Rotary Handle

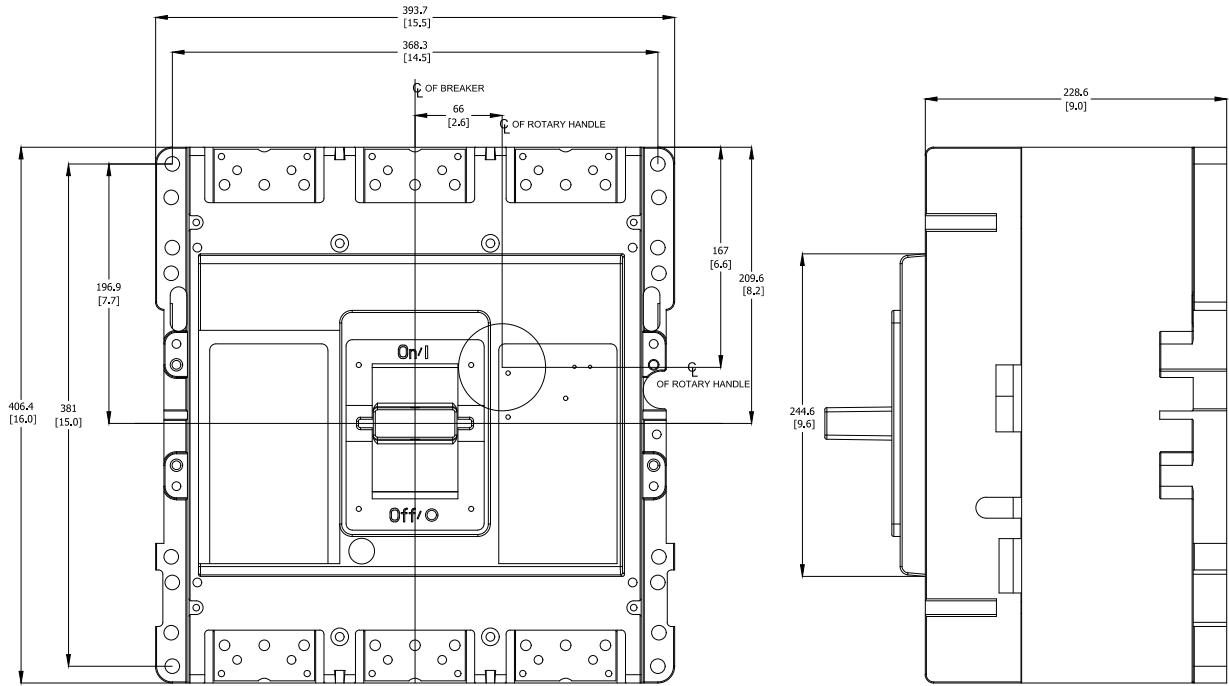


NOTE: THIS DIMENSION IS FOR REFERENCE ONLY DIFFERENT TYPE OF ENCLOSURES AND SHAFT LENGTHS WILL CHANGE THIS DIMENSION ACCORDINGLY.

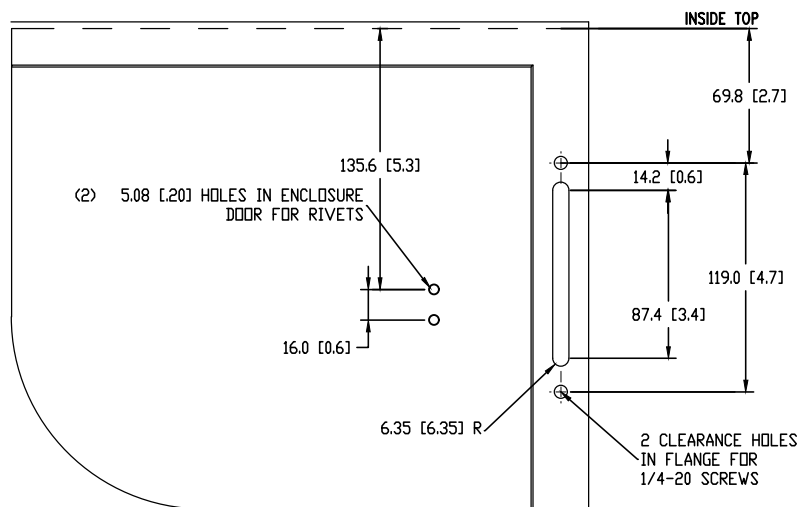
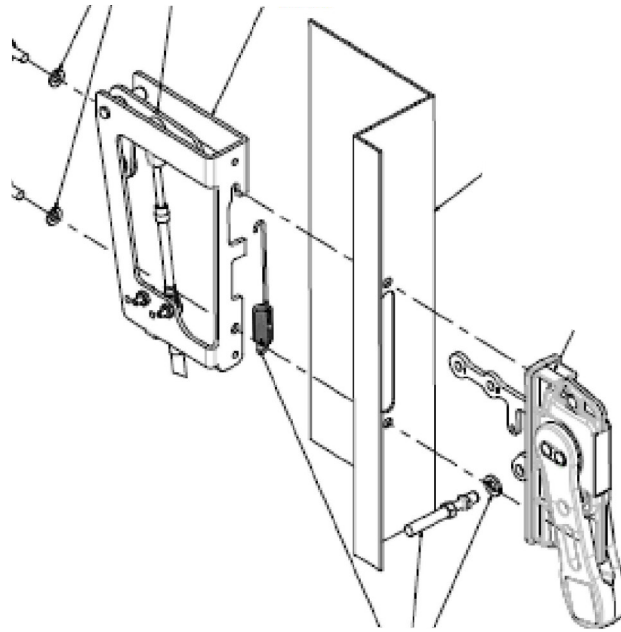


INCHES DIMENSIONS SHOWN IN BRACKET

Dimensions Frame 2500



UBW Dimensions Frame 2500 - Flange Handle



Internal Locations for Breaker Options

| Frame 225 | | | |
|----------------------|--|--------|-------|
| | Left | Center | Right |
| Auxiliary | ■ | | ■ |
| Alarm | ● | | ● |
| Auxiliary/Alarm | ● | | ● |
| Shunt Trip | ■ | | ■ |
| Undervoltage Release | ■ | | ■ |
| ■ | Applicable in indicated pole position | | |
| ● | Maybe mounted left or right (Not Both) | | |

| Frame 250 | | | |
|----------------------|--|--------|-------|
| | Left | Center | Right |
| Auxiliary | ■ | | ■ |
| Alarm | ● | | ● |
| Auxiliary/Alarm | ● | | ● |
| Shunt Trip | ■ | | ■ |
| Undervoltage Release | ■ | | ■ |
| ■ | Applicable in indicated pole position | | |
| ● | Maybe mounted left or right (Not Both) | | |

| Frame 400 | | | |
|----------------------|--|--------|-------|
| | Left | Center | Right |
| Auxiliary | ■ | | ■ |
| Alarm | ● | | ● |
| Auxiliary/Alarm | ● | | ● |
| Shunt Trip | ■ | | ■ |
| Undervoltage Release | ■ | | ■ |
| ■ | Applicable in indicated pole position | | |
| ● | Maybe mounted left or right (Not Both) | | |

| Frame 600 | | | |
|----------------------|--|--------|-------|
| | Left | Center | Right |
| Auxiliary | ■ | | ■ |
| Alarm | ■ | | ■ |
| Auxiliary/Alarm | ■ | | ■ |
| Shunt Trip | ■ | | ■ |
| Undervoltage Release | ■ | | ■ |
| ■ | Applicable in indicated pole position | | |
| ● | Maybe mounted left or right (Not Both) | | |

| Frame 800 | | | |
|----------------------|--|--------|-------|
| | Left | Center | Right |
| Auxiliary | ■ | | ■ |
| Alarm | ■ | | ■ |
| Auxiliary/Alarm | ■ | | ■ |
| Shunt Trip | ■ | | ■ |
| Undervoltage Release | ■ | | ■ |
| ■ | Applicable in indicated pole position | | |
| ● | Maybe mounted left or right (Not Both) | | |

| Frame 1200 | | | |
|----------------------|--|--------|-------|
| | Left | Center | Right |
| Auxiliary | ■ | | ■ |
| Alarm | ■ | | ■ |
| Auxiliary/Alarm | ■ | | ■ |
| Shunt Trip | ■ | | |
| Undervoltage Release | ■ | | |
| ■ | Applicable in indicated pole position | | |
| ● | Maybe mounted left or right (Not Both) | | |

| Frame 2500 | | | |
|----------------------|--|--------|-------|
| | Left | Center | Right |
| Auxiliary | | | ■ |
| Alarm | | | ■ |
| Auxiliary/Alarm | N/A | N/A | N/A |
| Shunt Trip | | | ■ |
| Undervoltage Release | | | ■ |
| ■ | Applicable in indicated pole position | | |
| ● | Maybe mounted left or right (Not Both) | | |

UBW

ACW to UBW Cross Reference

| ACW Breakers Part Number | Description | New UBW Part Number | Comments |
|--------------------------|---------------------------|-----------------------------------|---------------------------------------|
| ACW125P-FTU15-3 | 3 Pole 35ka@480vac 15amp | UBW225N-FTU15-3A | Fixed Thermal and Fixed Magnetic |
| ACW125P-FTU20-3 | 3 Pole 35ka@480vac 20amp | UBW225N-FTU20-3A | Fixed Thermal and Fixed Magnetic |
| ACW125P-FTU30-3 | 3 Pole 35ka@480vac 30amp | UBW225N-FTU30-3A | Fixed Thermal and Fixed Magnetic |
| ACW125P-FTU40-3 | 3 Pole 35ka@480vac 40amp | UBW225N-FTU40-3A | Fixed Thermal and Fixed Magnetic |
| ACW125P-FTU50-3 | 3 Pole 35ka@480vac 50amp | UBW225N-FTU50-3A | Fixed Thermal and Fixed Magnetic |
| ACW125P-FTU60-3 | 3 Pole 35ka@480vac 60amp | UBW225N-FTU60-3A | Fixed Thermal and Fixed Magnetic |
| ACW125P-FTU80-3 | 3 Pole 35ka@480vac 80amp | UBW225N-FTU80-3A | Fixed Thermal and Fixed Magnetic |
| ACW125P-FTU100-3 | 3 Pole 35ka@480vac 100amp | UBW225N-FTU100-3A | Fixed Thermal and Fixed Magnetic |
| ACW125P-FTU125-3 | 3 Pole 35ka@480vac 115amp | UBW225N-FTU125-3A | Fixed Thermal and Fixed Magnetic |
| ACW250P-FTU160-3 | 3 Pole 35ka@480vac 160amp | UBW225N-FTU150-3A | New UBW 150 Amp |
| ACW250P-FTU200-3 | 3 Pole 35ka@480vac 200amp | UBW225N-FTU200-3A | Adjustable Thermal and Fixed Magnetic |
| ACW250P-FTU250-3 | 3 Pole 35ka@480vac 250amp | UBW250N-FTU250-3A | Adjustable Thermal and Fixed Magnetic |
| ACW400P-FTU300-3 | 3 Pole 35ka@480vac 300amp | UBW400N-FTU300-3A | Adjustable Thermal and Fixed Magnetic |
| ACW400P-FTU400-3 | 3 Pole 35ka@480vac 400amp | UBW400N-FTU400-3A | Adjustable Thermal and Fixed Magnetic |
| ACW800P-FTU500-3 | 3 Pole 35ka@480vac 500amp | UBW600N-FTU500-3A | Adjustable Thermal and Fixed Magnetic |
| ACW800P-FTU600-3 | 3 Pole 35ka@480vac 600amp | UBW600N-FTU600-3A | Adjustable Thermal and Fixed Magnetic |
| ACW800P-FTU800-3 | 3 Pole 35ka@480vac 800amp | UBW800S-FTU800-3A | New UBW 50KA |

| | | | |
|------------------|---------------------------|-----------------------------------|---------------------------------------|
| ACW125W-FTU15-3 | 3 Pole 65ka@480vac 15amp | UBW225H-FTU15-3A | Fixed Thermal and Fixed Magnetic |
| ACW125W-FTU20-3 | 3 Pole 65ka@480vac 20amp | UBW225H-FTU20-3A | Fixed Thermal and Fixed Magnetic |
| ACW125W-FTU30-3 | 3 Pole 65ka@480vac 30amp | UBW225H-FTU30-3A | Fixed Thermal and Fixed Magnetic |
| ACW125W-FTU40-3 | 3 Pole 65ka@480vac 40amp | UBW225H-FTU40-3A | Fixed Thermal and Fixed Magnetic |
| ACW125W-FTU50-3 | 3 Pole 65ka@480vac 50amp | UBW225H-FTU50-3A | Fixed Thermal and Fixed Magnetic |
| ACW125W-FTU60-3 | 3 Pole 65ka@480vac 60amp | UBW225H-FTU60-3A | Fixed Thermal and Fixed Magnetic |
| ACW125W-FTU80-3 | 3 Pole 65ka@480vac 80amp | UBW225H-FTU80-3A | Fixed Thermal and Fixed Magnetic |
| ACW125W-FTU100-3 | 3 Pole 65ka@480vac 100amp | UBW225H-FTU100-3A | Fixed Thermal and Fixed Magnetic |
| ACW125W-FTU125-3 | 3 Pole 65ka@480vac 115amp | UBW225H-FTU125-3A | Fixed Thermal and Fixed Magnetic |
| ACW250W-FTU160-3 | 3 Pole 65ka@480vac 160amp | UBW225H-FTU150-3A | New UBW 150 Amp |
| ACW250W-FTU200-3 | 3 Pole 65ka@480vac 200amp | UBW225H-FTU200-3A | Adjustable Thermal and Fixed Magnetic |
| ACW250W-FTU250-3 | 3 Pole 65ka@480vac 250amp | UBW250H-FTU250-3A | Adjustable Thermal and Fixed Magnetic |
| ACW400W-FTU300-3 | 3 Pole 65ka@480vac 300amp | UBW400H-FTU300-3A | Adjustable Thermal and Fixed Magnetic |
| ACW400W-FTU400-3 | 3 Pole 65ka@480vac 400amp | UBW400H-FTU400-3A | Adjustable Thermal and Fixed Magnetic |
| ACW800W-FTU500-3 | 3 Pole 65ka@480vac 500amp | UBW600H-FTU500-3A | Adjustable Thermal and Fixed Magnetic |
| ACW800W-FTU600-3 | 3 Pole 65ka@480vac 600amp | UBW600H-FTU600-3A | Adjustable Thermal and Fixed Magnetic |
| ACW800W-FTU800-3 | 3 Pole 65ka@480vac 800amp | UBW800H-FTU800-3A | Adjustable Thermal and Fixed Magnetic |



WEG Electric Corp. offers the following products, and more! With a full range of IEC/NEMA Global Certifications and a full line of products, WEG can supply the right solution for your needs anywhere in the world. To learn more about WEG's products and solutions or to locate a Distributor near you, please call **1-800-ASK-4WEG** or visit **www.weg.net**.

Low Voltage Motors,

Single and 3-Phase, 1/8 – 700HP

- General Purpose Motors
- Explosion Proof Motors
- Crusher Duty Motors
- IEC Tru-Metric Motors
- Pump Motors including JP/JM
- P-Base Pump Motors
- Oil Well Pumping Motors
- Pool & Spa Motors
- Brake Motors
- Compressor Duty Motors
- Farm Duty Motors
- Poultry Fan Motors
- Auger Drive Motors
- IEEE 841 Motors
- Stainless Steel Wash Down Motors
- Saw Arbor Motors
- Cooling Tower Motors
- Commercial HVAC Motors
- Pad Mounted Motors
- Vector Duty Motors

Large Electric Motors

- Low Voltage 3-phase motors up to 2,500HP
- Motors up to 70,000HP and 13,200V
- Wound Rotor Systems (including starters) up to 70,000HP and 13,200V
- Synchronous Motors up to 70,000HP and 13,200V
- Explosion proof motors (Ex-d) up to 1,500kW and 11kV
- Ex-n, Ex-e, Ex-p motors

Variable Frequency Drives

- Low Voltage 1/4 to 2500HP, 230V – 480V
- Medium Voltage 500-8000HP
- Multi-pump systems
- NEMA 4X
- Dynamic braking resistors
- Line and load reactors
- Plug and play technology
- Network communications: Profibus-DP, DeviceNet, Modbus-RTU
- PLC functions integrated
- Complete line of options and accessories

Soft Starters

- 3-1500HP
- Oriented start-up
- Built-in bypass contactor
- Universal source voltage (230-575V, 50/60Hz)
- Network communications: Profibus-DP, DeviceNet, Modbus-RTU
- Complete Line of options and accessories
- MV Soft-starter 3.3kV, 41.6kV: up to 3500HP, Withdrawable Power Stacks, & 8x PT100 Temperature monitoring

Controls

- Mini – Contactors
- IEC Contactors
- Thermal Overload Relays
- Manual Motor Protectors
- Molded Case Circuit Breakers
- Smart Relays
- Enclosed Starters: combination & non-combination,
- Pushbuttons & Pilot Lights
- Timing & Motor Protection Relays
- Terminal Blocks

Custom Panels

- Custom configured to your specification.
- NEMA 1, 12, 3R, 4 and 4X cabinets
- Quick delivery of preconfigured drives and soft starters
- UL 508 certified
- Low Voltage (230-460)
- Made in the U.S.A.

Generators

- Brushless Synchronous Generators for diesel gen-sets up to 4,200kVA
- Hydro-generators up to 25,000kVA
- Turbo-generators up to 62,500kVA

Power Transformers

- Built and engineered in North America
- Voltages < 500kV
- Ratings 5-300MVA
- Station class, oil filled, round core, copper windings
- Special configurations and designs available!
- Ask your WEG Sales Representative for details.
- Designed, built, and engineered to ANSI standards.

Custom Solution Package Sales

- WEG can package any of its products for ease of sale! Enjoy a single point of contact for the entire package of products and assistance from quote through after-sales support. Ask your WEG Sales Representative for details.

Please contact your authorized distributor:



WEG Electric Corp.
6655 Sugarloaf Parkway
Duluth, GA 30097
Phone: 1-800-ASK-4WEG
www.weg.net

