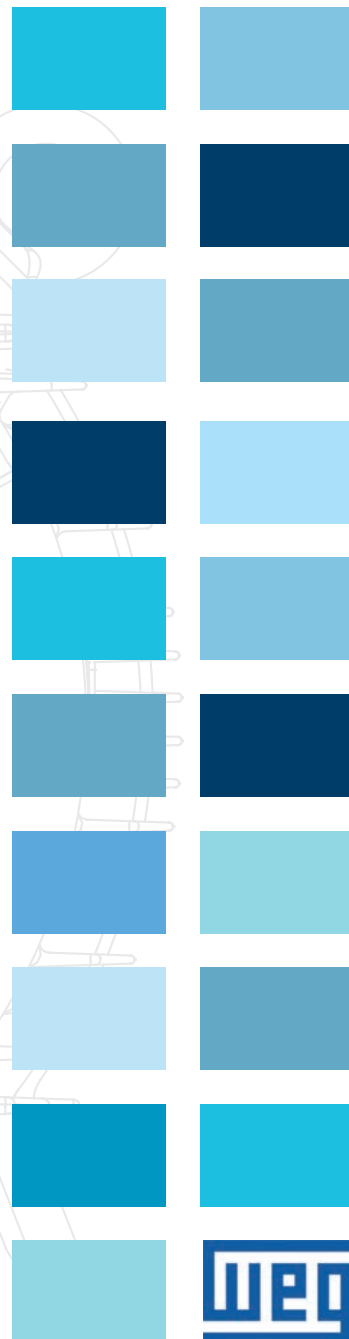


# WEG Standard Product Catalog

Electrical and Mechanical Data

2020



Register to keep your  
catalog up-to-date



**Electrical Data****SECTION B**

Single-Phase Wiring Diagrams . . . . .	B-3
Three-Phase Wiring Diagrams . . . . .	B-4
Single Phase - General Purpose - TEFC - Cast Iron . . . . .	B-5
Single Phase - General Purpose - TEFC - Rolled Steel - Standard Efficiency . . . . .	B-6
Single Phase - General Purpose - ODP - Rolled Steel - Standard Efficiency . . . . .	B-9
Single Phase - General Purpose - ODP - Rolled Steel - Premium Efficiency . . . . .	B-11
W22 - General Purpose - Three Phase - TEFC . . . . .	B-12
Rolled Steel - General Purpose - Three Phase - TEFC . . . . .	B-15
ODP Rolled Steel up to 254/6T Frame - Three Phase - General Purpose . . . . .	B-16
ODP Cast Iron 254 Frame and larger - Three Phase - General Purpose . . . . .	B-17
Explosion Proof - Three Phase . . . . .	B-19
Fractional - Three Phase - TEFC - NEMA Premium® . . . . .	B-22
Fractional - Three Phase - TEFC - Standard Efficiency . . . . .	B-23
Fractional - Three Phase - ODP - Premium Efficiency . . . . .	B-24
Fractional - Three Phase - ODP - Standard Efficiency . . . . .	B-25
Cooling Tower Motors - Three Phase . . . . .	B-27
Close-Coupled Pump - JM - Three Phase - TEFC - Rolled Steel . . . . .	B-32
Close-Coupled Pump - JM - Three Phase - TEFC - Cast Iron . . . . .	B-33
Close-Coupled Pump - JP - Three Phase - TEFC - Rolled Steel . . . . .	B-35
Close-Coupled Pump - JP - Three Phase - TEFC - Cast Iron . . . . .	B-36
Close-Coupled Pump - JM - Three Phase - ODP - Rolled Steel . . . . .	B-38
Close-Coupled Pump - JM - Three Phase - ODP - Cast Iron . . . . .	B-39
Close-Coupled Pump - JP - Three Phase - ODP - Rolled Steel . . . . .	B-40
Close-Coupled Pump - JP - Three Phase - ODP - Cast Iron . . . . .	B-41
W40 - Fire Pump - Three Phase - ODP - High Efficiency . . . . .	B-42
W40 - Fire Pump - JM - Three Phase - ODP - Cast Iron - High Efficiency . . . . .	B-44
W40 - Fire Pump - JP - Three Phase - ODP - Cast Iron - High Efficiency . . . . .	B-45
Metric Motors . . . . .	B-46
Super Premium Efficiency Motors . . . . .	B-52

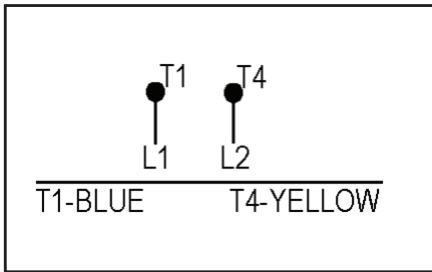


# Single-Phase Wiring Diagrams

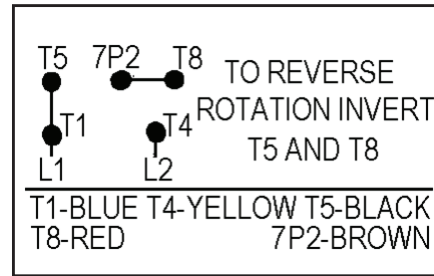
ALWAYS USE WIRING DIAGRAM SUPPLIED ON MOTOR NAMEPLATE

## FOR MOTORS WITH THERMAL PROTECTION

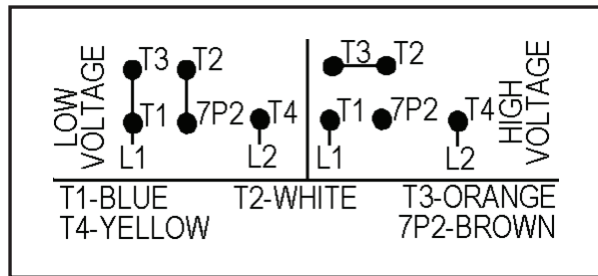
Single Voltage / Single Rotation



Single Voltage / Reversible Rotation

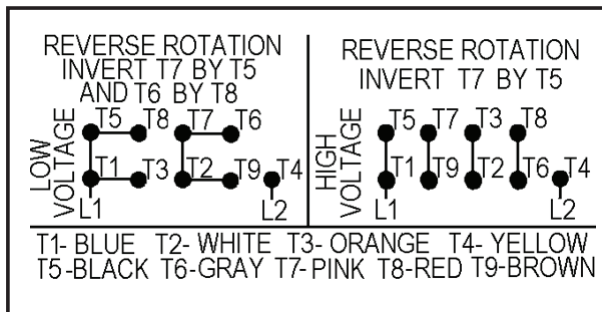


Dual Voltage / Single Rotation

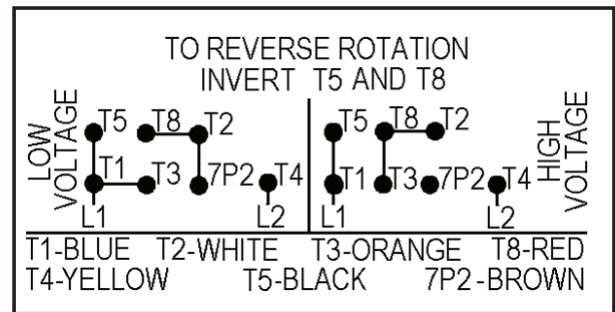


Dual Voltage / Reversible Rotation

Split-Phase Motor



Capacitor Motor





## Three-Phase Wiring Diagrams

ALWAYS USE WIRING DIAGRAM SUPPLIED ON MOTOR NAMEPLATE

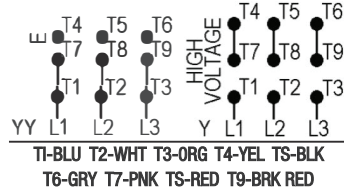
colored leads are only applicable on the NEW ROLLED STEEL motor lines

### DESCRIPTION

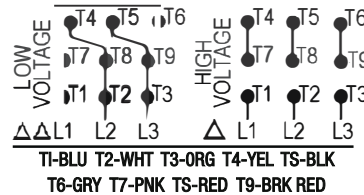
9 leads  
Valid for voltage Code: E  
Frames 56 and 143/5

### WIRING DIAGRAMS

#### DOL



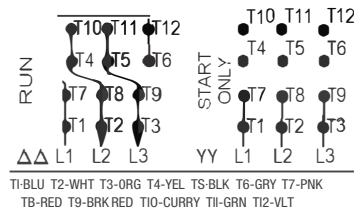
#### DOL



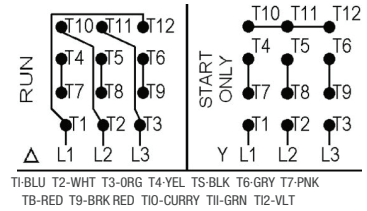
9 leads  
Valid for voltage Code: E  
Frames 182/4 and 213/5 for E code  
(except Fire Pump motors)

12 leads  
Valid for voltage code: E  
Frames 254/6 and above  
Fire Pump Motors all frames  
Valid for voltage code: V  
All frames  
Motors are capable of WYE/Delta start (230v only)  
Motors are capable of part-winding start at the low voltage

#### WYE - DELTA - LOW VOLTAGE

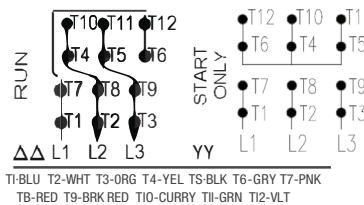


#### WYE - DELTA - HIGH VOLTAGE

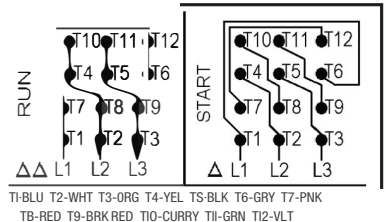


12 leads  
Valid for voltage Code: G  
Frames 254/6 and above  
Motors are capable of WYE/Delta start  
Motors are capable of part-winding start

#### WYE - DELTA

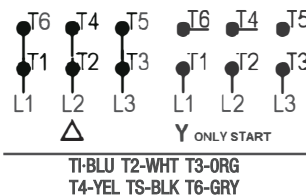


#### PART-WINDING

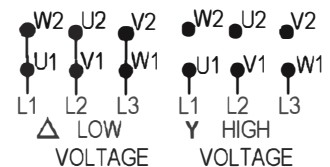


6 leads  
Valid for voltage Code: J, H, P, Q, W & Y All frames  
Q and H codes may have only 3 leads ( $\leq$  1HP and all IEEE models)

#### WYE - DELTA

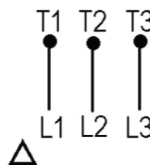


#### WYE - DELTA (METRIC)



3 leads  
Valid for voltage Code: Q and H codes  
All frames  
Q and H codes, non IEEE-841 motors, can also have 6 leads

#### DOL



T1-BLU T2-WHT T3-ORG

## Single Phase - General Purpose - TEFC - Cast Iron

Output		Frame	Full Load Torque (ft.lb)	Locked Rotor Current		Locked Rotor Torque Tl/Tn	Break-down Torque Td/Tn	Inertia J (lb-ft <sup>2</sup> )	Allowable locked rotor time (s)		Weight (lb)	Sound dB(A)	Service Factor	460 V							
				Code	I/In				Hot	Cold				Rated speed (rpm)	% of full load			Full load current In (A)			
															Efficiency		Power Factor				
HP	kW													50	75	100	50	75	100		
1	0.75	143/5T	1.46	L	8.5	2.3	2.7	0.0527	7	15	0.0	69.0	1.15	3540	58.0	67.0	70.0	0.95	0.96	0.97	2.40
		143/5T	2.93	L	8.4	2.7	3.0	0.1303	7	15	0.0	58.0	1.15	1770	59.0	68.0	72.0	0.84	0.90	0.92	2.45
		143/5T	4.43	K	6.3	2.0	2.4	0.1561	15	33	0.0	58.0	1.00	1170	59.6	68.2	70.0	0.70	0.78	0.83	2.80
1.5	1.1	143/5T	2.21	J	7.3	2.3	2.4	0.0470	11	24	0.0	69.0	1.15	3520	67.0	72.0	74.0	0.91	0.94	0.95	3.40
		143/5T	4.42	J	8.0	2.6	2.4	0.1628	6	13	0.0	58.0	1.15	1760	65.0	73.0	77.0	0.99	0.99	0.99	3.13
		182/4T	6.56	M	8.2	2.5	3.2	0.5657	10	22	0.0	60.0	1.00	1185	58.4	67.3	72.0	0.62	0.72	0.78	4.25
2	1.5	143/5T	2.94	K	8.0	2.4	2.8	0.0527	7	15	0.0	69.0	1.15	3530	66.0	74.0	77.0	0.87	0.92	0.94	4.50
		143/5T	5.94	J	7.4	2.7	2.4	0.1497	8	18	0.0	58.0	1.15	1745	68.5	75.5	78.5	0.89	0.94	0.95	4.38
		182/4T	5.96	H	7.4	2.9	2.3	0.2957	8	18	0.0	60.0	1.15	1740	69.0	76.5	80.0	0.99	0.99	0.99	4.10
		182/4T	8.78	L	8.0	2.4	2.7	0.5223	14	31	0.0	60.0	1.00	1180	65.2	73.0	77.0	0.72	0.81	0.85	5.00
3	2.2	182/4T	4.42	H	7.7	2.5	2.6	0.1571	9	20	0.0	72.0	1.15	3520	80.0	83.0	84.0	0.97	0.98	0.98	5.80
		143/5T	4.42	H	7.2	2.2	2.4	0.0664	7	15	0.0	69.0	1.15	3515	72.5	76.0	78.5	0.96	0.97	0.97	6.25
		182/4T	8.91	H	7.5	2.9	2.6	0.3735	6	13	0.0	60.0	1.15	1745	71.0	78.0	80.0	0.99	0.99	0.99	6.00
		213/5T	13.3	J	7.5	2.1	2.1	1.28	5	11	0.0	63.0	1.00	1170	69.3	76.7	80.0	0.93	0.96	0.96	6.20
5	3.7	182/4T	7.37	G	7.1	2.8	2.5	0.2164	7	15	0.0	72.0	1.15	3515	80.0	84.0	85.5	0.96	0.99	0.99	9.50
		213/5T	14.8	H	6.7	3.3	2.6	0.7124	7	15	0.0	63.0	1.15	1745	72.5	78.5	80.0	0.91	0.95	0.96	10.5
		182/4T	15.0	G	6.5	2.8	2.6	0.4357	7	15	0.0	60.0	1.15	1730	72.5	78.5	80.0	0.93	0.95	0.96	10.5
		213/5T	22.0	J	8.4	2.5	2.5	1.98	14	31	0.0	63.0	1.00	1175	78.9	83.9	82.5	0.91	0.94	0.94	10.4
7.5	5.5	213/5T	11.1	P	7.2	2.8	2.9	0.5550	7	15	0.0	72.0	1.15	3510	81.5	85.5	86.5	0.99	0.99	0.99	29.8
		182/4T	11.1	H	7.5	2.8	2.6	0.2164	9	20	0.0	72.0	1.15	3505	79.0	83.5	85.5	0.99	0.99	0.99	14.1
		213/5T	22.2	H	7.0	3.3	2.7	1.09	7	15	0.0	63.0	1.15	1750	76.0	81.0	82.5	0.94	0.96	0.97	14.9
10	7.5	213/5T	14.7	N	7.0	2.3	2.9	0.5285	8	18	0.0	72.0	1.15	3515	82.0	85.5	86.5	0.99	0.99	0.99	38.8
		213/5T	29.8	G	6.7	2.6	2.5	1.15	13	29	0.0	63.0	1.15	1740	78.0	82.0	82.5	0.90	0.95	0.97	20.4
12.5	9.2	213/5T	18.5	G	7.3	2.1	2.8	0.6763	8	18	0.0	72.0	1.15	3510	86.0	88.0	88.5	0.98	0.98	0.98	23.0

## Single Phase - General Purpose - TEFC - Rolled Steel - Standard Efficiency

Output		Frame	Full Load Torque (ft.lb)	Locked Rotor Current		Locked Rotor Torque Tl/Tn	Break-down Torque Tb/Tn	Inertia J (lb-ft <sup>2</sup> )	Allowable locked rotor time (s)		Weight (lb)	Sound dB(A)	Service Factor	230 V							
				Code	I/In				Hot	Cold				Rated speed (rpm)	% of full load			Full load current In (A)			
															Efficiency				Power Factor		
HP	kW													50	75	100	50	75	100		
0.12	0.09	W56	0.180	R	6.0	3.0	3.0	0.0126	18	40	15.4	66.0	1.15	3475	28.0	35.0	42.0	0.64	0.70	0.75	1.30
		48	0.180	R	6.0	3.0	3.0	0.0126	18	40	15.4	66.0	1.15	3475	28.0	35.0	42.0	0.64	0.70	0.75	1.30
		W56	0.360	P	4.8	3.2	3.0	0.0240	26	57	14.8	52.0	1.15	1740	37.0	45.0	51.0	0.41	0.48	0.55	1.45
		W56	0.360	P	4.8	3.2	3.0	0.0240	26	57	14.8	52.0	1.15	1740	37.0	45.0	51.0	0.41	0.48	0.55	1.45
		48	0.360	P	4.8	3.2	3.0	0.0240	26	57	14.8	52.0	1.15	1740	37.0	45.0	51.0	0.41	0.48	0.55	1.45
		48	0.360	P	4.8	3.2	3.0	0.0240	26	57	14.8	52.0	1.15	1740	37.0	45.0	51.0	0.41	0.48	0.55	1.45
0.16	0.12	W56	0.530	M	5.2	1.8	2.4	0.0318	20	44	16.5	52.0	1.15	1165	36.0	46.0	52.0	0.61	0.68	0.73	1.05
		48	0.530	M	5.2	1.8	2.4	0.0318	20	44	16.5	52.0	1.15	1165	36.0	46.0	52.0	0.61	0.68	0.73	1.05
		W56	0.240	P	6.0	3.0	3.0	0.0126	14	31	15.4	66.0	1.15	3480	30.0	38.0	44.0	0.60	0.67	0.73	1.60
		48	0.240	P	6.0	3.0	3.0	0.0126	14	31	15.4	66.0	1.15	3480	30.0	38.0	44.0	0.60	0.67	0.73	1.60
		W56	0.480	P	5.4	3.2	2.9	0.0280	16	35	15.7	52.0	1.15	1735	38.0	46.0	52.0	0.44	0.52	0.59	1.70
		48	0.480	P	5.4	3.2	2.9	0.0280	16	35	15.7	52.0	1.15	1735	38.0	46.0	52.0	0.44	0.52	0.59	1.70
0.25	0.18	W56	0.710	L	5.6	1.8	2.3	0.0358	20	44	17.6	52.0	1.15	1165	40.0	50.0	56.0	0.67	0.74	0.78	1.20
		48	0.710	L	5.6	1.8	2.3	0.0358	20	44	17.6	52.0	1.15	1165	40.0	50.0	56.0	0.67	0.74	0.78	1.20
		W56	0.370	P	6.6	2.9	3.0	0.0147	11	24	17.2	66.0	1.15	3485	35.0	44.0	50.0	0.60	0.68	0.74	2.10
		48	0.370	P	6.6	2.9	3.0	0.0147	11	24	17.2	66.0	1.15	3485	35.0	44.0	50.0	0.60	0.68	0.74	2.10
		W56	0.750	M	5.2	3.1	2.8	0.0318	15	33	16.5	52.0	1.15	1735	43.0	52.0	57.0	0.43	0.52	0.60	2.29
		W56	0.750	N	5.3	3.1	2.8	0.0318	15	33	16.5	52.0	1.15	1735	43.0	52.0	57.0	0.43	0.52	0.60	2.30
0.33	0.25	48	0.750	N	5.3	3.1	2.8	0.0318	15	33	16.5	52.0	1.15	1735	43.0	52.0	57.0	0.43	0.52	0.60	2.30
		W56	1.11	L	5.8	1.8	2.3	0.0479	18	40	20.7	52.0	1.15	1165	45.0	54.0	60.0	0.63	0.70	0.75	1.75
		48	1.11	L	5.8	1.8	2.3	0.0479	18	40	20.7	52.0	1.15	1165	45.0	54.0	60.0	0.63	0.70	0.75	1.75
		W56	0.490	P	7.0	2.9	2.9	0.0190	8	18	18.7	66.0	1.15	3490	42.0	50.0	54.0	0.61	0.69	0.76	2.60
		48	0.490	P	7.0	2.9	2.9	0.0190	8	18	18.7	66.0	1.15	3490	42.0	50.0	54.0	0.61	0.69	0.76	2.60
		W56	0.990	N	5.6	3.2	2.8	0.0399	12	26	18.3	52.0	1.15	1735	46.0	55.0	61.0	0.42	0.51	0.59	3.00
0.5	0.37	W56	0.990	N	5.6	3.2	2.8	0.0399	12	26	18.3	52.0	1.15	1735	46.0	55.0	61.0	0.42	0.51	0.59	3.00
		48	0.990	N	5.6	3.2	2.8	0.0399	12	26	18.3	52.0	1.15	1735	46.0	55.0	61.0	0.42	0.51	0.59	3.00
		56	1.46	M	6.5	2.4	2.7	0.0975	22	48	27.6	54.0	1.15	1170	48.0	58.0	63.0	0.61	0.69	0.74	2.30
		W56	0.740	P	8.0	2.9	3.0	0.0233	7	15	20.5	66.0	1.15	3500	50.0	58.0	60.0	0.59	0.69	0.76	3.50
		48	0.740	P	8.0	2.9	3.0	0.0233	7	15	20.5	66.0	1.15	3500	50.0	58.0	60.0	0.59	0.69	0.76	3.50
		W56	1.50	L	5.5	2.9	2.5	0.0479	10	22	20.7	52.0	1.15	1730	52.0	59.0	64.0	0.46	0.56	0.66	3.81
		W56	1.50	M	5.7	3.2	2.7	0.0479	10	22	20.7	52.0	1.15	1730	52.0	59.0	64.0	0.44	0.54	0.63	4.00
		W56	1.50	M	5.7	3.2	2.7	0.0479	10	22	20.7	52.0	1.15	1730	52.0	59.0	64.0	0.44	0.54	0.63	4.00
48	1.50	M	5.7	3.2	2.7	0.0479	10	22	20.7	52.0	1.15	1730	52.0	59.0	64.0	0.44	0.54	0.63	4.00		
48	1.50	M	5.7	3.2	2.7	0.0479	10	22	20.7	52.0	1.15	1730	52.0	59.0	64.0	0.44	0.54	0.63	4.00		
56	2.21	L	6.6	2.4	2.6	0.1241	18	40	30.9	54.0	1.15	1170	54.0	63.0	67.0	0.58	0.67	0.72	3.20		

continued on next page

## Single Phase - General Purpose - TEFC - Rolled Steel - Standard Efficiency

Output		Frame	Full Load Torque (ft.lb)	Locked Rotor Current		Locked Rotor Torque Tl/Tn	Break-down Torque Tb/Tn	Inertia J (lb-ft <sup>2</sup> )	Allowable locked rotor time (s)		Weight (lb)	Sound dB(A)	Service Factor	230 V							
														Rated speed (rpm)	% of full load						Full load current In (A)
															Efficiency			Power Factor			
															50	75	100	50	75	100	
HP	kW	Code	II/In	Hot	Cold																
0.75	0.55	56	L	8.0	2.8	2.9	0.0394	10	22	26.5	68.0	1.15	3500	52.0	62.0	66.0	0.81	0.87	0.91	4.00	
		56	L	6.2	2.8	2.5	0.0778	10	22	28.7	54.0	1.15	1745	57.0	65.0	68.5	0.50	0.60	0.70	4.98	
		56	M	6.4	3.0	2.7	0.0778	10	22	28.7	54.0	1.15	1745	57.0	65.0	68.5	0.47	0.58	0.67	5.30	
		56	M	6.4	3.0	2.7	0.0778	10	22	28.7	54.0	1.15	1745	57.0	65.0	68.5	0.47	0.58	0.67	5.30	
		56H	L	6.4	2.2	2.4	0.1597	15	33	35.3	54.0	1.15	1170	59.0	67.0	70.0	0.58	0.67	0.73	4.70	
		143/5T	L	6.4	2.2	2.4	0.1597	15	33	35.3	---	1.15	1170	59.0	67.0	70.0	0.58	0.67	0.73	4.70	
		56	L	6.4	2.2	2.4	0.1597	15	33	35.3	54.0	1.15	1170	59.0	67.0	70.0	0.58	0.67	0.73	4.70	
1	0.75	56	L	8.4	2.8	2.8	0.0472	8	18	28.7	68.0	1.15	3500	55.0	64.0	70.0	0.82	0.88	0.92	5.10	
		56	M	6.7	2.6	2.5	0.1037	8	18	33.1	54.0	1.15	1745	62.0	68.0	71.0	0.51	0.62	0.70	6.56	
		56	M	6.7	2.8	2.7	0.1037	8	18	33.1	54.0	1.15	1745	62.0	68.0	71.0	0.48	0.60	0.68	6.80	
		56	M	6.7	2.8	2.7	0.1037	8	18	33.1	54.0	1.15	1745	62.0	68.0	71.0	0.48	0.60	0.68	6.80	
		143/5T	M	6.7	2.8	2.7	0.1037	8	18	33.1	54.0	1.15	1745	62.0	68.0	71.0	0.48	0.60	0.68	6.80	
		143/5T	M	6.7	2.8	2.7	0.1037	8	18	33.1	54.0	1.15	1745	62.0	68.0	71.0	0.48	0.60	0.68	6.80	
		56H	J	6.1	1.8	2.0	0.1951	13	29	43.0	54.0	1.15	1165	64.0	71.0	73.0	0.68	0.77	0.81	5.50	
		143/5T	J	6.1	1.8	2.0	0.1951	13	29	43.0	---	1.15	1165	64.0	71.0	73.0	0.68	0.77	0.81	5.50	
		56	J	6.1	1.8	2.0	0.1951	13	29	43.0	54.0	1.15	1165	64.0	71.0	73.0	0.68	0.77	0.81	5.50	
1.5	1.1	56	K	8.0	2.4	2.5	0.0589	7	15	32.0	68.0	1.15	3500	66.0	73.0	75.0	0.92	0.95	0.97	6.60	
		143/5T	K	8.0	2.4	2.5	0.0589	7	15	32.0	68.0	1.15	3500	66.0	73.0	75.0	0.92	0.95	0.97	6.60	
		56H	L	8.0	2.3	2.5	0.1426	8	18	43.0	54.0	1.15	1745	69.0	75.0	77.0	0.70	0.80	0.84	7.39	
		56H	L	8.0	2.3	2.5	0.1426	8	18	43.0	54.0	1.15	1745	69.0	75.0	77.0	0.70	0.80	0.84	7.39	
		56H	L	8.0	2.5	2.7	0.1426	8	18	43.0	54.0	1.15	1745	69.0	75.0	77.0	0.68	0.78	0.83	7.48	
		56H	L	8.0	2.5	2.7	0.1426	8	18	43.0	54.0	1.15	1745	69.0	75.0	77.0	0.68	0.78	0.83	7.48	
		143/5T	L	8.0	2.5	2.7	0.1426	8	18	43.0	54.0	1.15	1745	69.0	75.0	77.0	0.68	0.78	0.83	7.48	
		56	L	8.0	2.5	2.7	0.1426	8	18	43.0	54.0	1.15	1745	69.0	75.0	77.0	0.68	0.78	0.83	7.48	
		56	L	8.0	2.5	2.7	0.1426	8	18	43.0	54.0	1.15	1745	69.0	75.0	77.0	0.68	0.78	0.83	7.48	
		56H	J	7.8	2.2	2.5	0.0707	6	13	35.3	68.0	1.15	3495	70.0	75.0	77.0	0.94	0.97	0.97	8.73	
2	1.5	143/5T	K	7.8	2.2	2.5	0.0707	6	13	35.3	68.0	1.15	3495	70.0	75.0	77.0	0.89	0.93	0.95	8.92	
		143/5T	J	7.8	2.2	2.5	0.0707	6	13	35.3	68.0	1.15	3495	70.0	75.0	77.0	0.94	0.97	0.97	8.73	
		56	J	7.8	2.2	2.5	0.0707	6	13	35.3	68.0	1.15	3495	70.0	75.0	77.0	0.94	0.97	0.97	8.73	
		56H	L	8.0	2.3	2.4	0.1614	6	13	46.3	54.0	1.15	1745	70.0	76.0	78.5	0.67	0.77	0.83	10.0	
		56H	L	8.0	2.6	2.6	0.1614	6	13	46.3	54.0	1.15	1745	70.0	76.0	78.5	0.66	0.76	0.82	10.0	
		56H	L	8.0	2.6	2.6	0.1614	6	13	46.3	54.0	1.15	1745	70.0	76.0	78.5	0.66	0.76	0.82	10.0	
		143/5T	L	8.0	2.6	2.6	0.1614	6	13	46.3	54.0	1.15	1745	70.0	76.0	78.5	0.66	0.76	0.82	10.0	
		143/5T	L	8.0	2.6	2.6	0.1614	6	13	46.3	54.0	1.15	1745	70.0	76.0	78.5	0.66	0.76	0.82	10.0	
		56	L	8.0	2.6	2.6	0.1614	6	13	46.3	54.0	1.15	1745	70.0	76.0	78.5	0.66	0.76	0.82	10.0	

continued on next page

## Single Phase - General Purpose - TEFC - Rolled Steel - Standard Efficiency - *continued*

Output		Frame	Full Load Torque (ft.lb)	Locked Rotor Current		Locked Rotor Torque Tl/Tn	Break-down Torque Tb/Tn	Inertia J (lb-ft <sup>2</sup> )	Allowable locked rotor time (s)		Weight (lb)	Sound dB(A)	Service Factor	230V							
				Code	ll/ln				Hot	Cold				Rated speed (rpm)	% of full load						Full load current In (A)
															Efficiency			Power Factor			
															50	75	100	50	75	100	
3	2.2	56H	4.45	J	8.0	2.1	2.5	0.0945	6	13	45.2	68.0	1.15	3490	76.0	79.0	80.0	0.86	0.92	0.94	12.7
		143/5T	4.45	J	8.0	2.1	2.5	0.0945	6	13	45.2	68.0	1.15	3490	76.0	79.0	80.0	0.86	0.92	0.94	12.7
		56	4.45	J	8.0	2.1	2.5	0.0945	6	13	45.2	68.0	1.15	3490	76.0	79.0	80.0	0.86	0.92	0.94	12.7
		182/4T	8.86	J	8.4	3.1	2.4	0.3709	12	26	83.8	59.0	1.15	1755	72.0	78.5	81.5	0.99	0.99	0.99	11.9
7.5	5.5	213/5T	11.1	G	7.1	2.2	2.7	0.4862	6	13	130	75.0	1.15	3515	78.5	82.5	84.0	0.98	0.99	0.99	28.8
		182/4T	11.1	G	7.2	2.6	3.0	0.2252	8	18	99.2	72.0	1.15	3500	80.0	84.0	85.5	0.99	0.99	0.99	28.3
		213/5T	22.3	G	6.8	2.6	2.3	1.43	6	13	163	64.0	1.15	1745	78.5	82.5	84.0	0.99	0.99	0.99	28.8
10	7.5	213/5T	14.8	H	7.2	2.5	2.9	0.4862	6	13	137	75.0	1.15	3510	81.5	85.5	86.5	0.99	0.99	0.99	38.1
		213/5T	29.7	G	6.5	2.2	2.6	1.43	6	13	172	64.0	1.15	1745	81.5	85.5	86.5	0.99	0.99	0.99	38.1
12.5	9.2	213/5T	18.5	H	7.4	2.5	3.1	0.5918	6	13	159	75.0	1.15	3510	84.0	86.5	87.5	0.98	0.98	0.98	46.6
		213/5T*	37.0	H	7.5	2.5	3.1	1.96	6	13	212	64.0	1.15	1750	82.5	86.5	87.5	0.98	0.98	0.98	46.6

## Single Phase - General Purpose - ODP - Rolled Steel - Standard Efficiency

Output		Frame	Full Load Torque (ft.lb)	Locked Rotor Current		Locked Rotor Torque Tl/Tn	Break-down Torque Tb/Tn	Inertia J (lb-ft <sup>2</sup> )	Allowable locked rotor time (s)		Weight (lb)	Sound dB(A)	Service Factor	230V							
														Rated speed (rpm)	% of full load						Full load current In (A)
															Efficiency			Power Factor			
HP	KW			Code	ll/in				Hot	Cold				50	75	100	50	75	100		
0.12	0.09	W56	0.180	R	6.4	3.0	3.0	0.0126	18	40	14.3	56.0	1.40	3500	32.0	40.0	44.0	0.60	0.67	0.72	1.24
		48	0.180	R	6.4	3.0	3.0	0.0126	18	40	14.3	56.0	1.40	3500	32.0	40.0	44.0	0.60	0.67	0.72	1.24
		W56	0.360	P	4.8	3.3	3.1	0.0240	26	57	13.7	50.0	1.40	1740	37.0	45.0	50.0	0.41	0.48	0.55	1.42
		48	0.360	P	4.8	3.3	3.1	0.0240	26	57	13.7	50.0	1.40	1740	37.0	45.0	50.0	0.41	0.48	0.55	1.42
0.16	0.12	W56	0.240	P	6.5	3.0	3.0	0.0126	14	31	14.3	56.0	1.35	3500	35.0	44.0	53.0	0.56	0.64	0.70	1.41
		48	0.240	P	6.5	3.0	3.0	0.0126	14	31	14.3	56.0	1.35	3500	35.0	44.0	53.0	0.56	0.64	0.70	1.41
		W56	0.480	P	5.5	3.2	3.0	0.0280	16	35	14.8	50.0	1.35	1740	41.0	49.0	53.0	0.42	0.50	0.57	1.73
		48	0.480	P	5.5	3.2	3.0	0.0280	16	35	14.8	50.0	1.35	1740	41.0	49.0	53.0	0.42	0.50	0.57	1.73
0.25	0.18	W56	0.370	P	7.2	3.0	3.0	0.0147	10	22	15.4	56.0	1.35	3500	43.0	50.0	55.0	0.55	0.64	0.71	2.00
		48	0.370	P	7.2	3.0	3.0	0.0147	10	22	15.4	56.0	1.35	3500	43.0	50.0	55.0	0.55	0.64	0.71	2.00
		W56	0.750	N	5.3	3.1	2.8	0.0318	14	31	15.4	50.0	1.35	1735	46.0	54.0	57.0	0.41	0.51	0.59	2.33
		48	0.750	N	5.3	3.1	2.8	0.0318	14	31	15.4	50.0	1.35	1735	46.0	54.0	57.0	0.41	0.51	0.59	2.33
0.33	0.25	W56	0.490	P	7.4	3.0	3.0	0.0190	8	18	16.1	56.0	1.35	3500	49.0	56.0	59.0	0.57	0.66	0.74	2.50
		48	0.490	P	7.4	3.0	3.0	0.0190	8	18	16.1	56.0	1.35	3500	49.0	56.0	59.0	0.57	0.66	0.74	2.50
		W56	0.990	N	5.6	3.3	2.8	0.0399	12	26	16.8	50.0	1.35	1735	49.0	57.0	60.0	0.41	0.50	0.58	3.12
		48	0.990	N	5.6	3.3	2.8	0.0399	12	26	16.8	50.0	1.35	1735	49.0	57.0	60.0	0.41	0.50	0.58	3.12
0.5	0.37	W56	0.740	P	8.2	2.8	3.0	0.0233	6	13	18.7	56.0	1.25	3500	54.0	61.0	65.0	0.55	0.66	0.74	3.34
		48	0.740	P	8.2	2.8	3.0	0.0233	6	13	18.7	56.0	1.25	3500	54.0	61.0	65.0	0.55	0.66	0.74	3.34
		W56	1.49	M	5.8	3.2	2.7	0.0479	10	22	18.7	50.0	1.25	1735	54.0	61.0	63.0	0.43	0.53	0.62	4.12
		48	1.49	M	5.8	3.2	2.7	0.0479	10	22	18.7	50.0	1.25	1735	54.0	61.0	63.0	0.43	0.53	0.62	4.12
0.75	0.55	W56	1.11	N	8.0	2.6	3.0	0.0273	6	13	20.9	56.0	1.25	3500	56.0	63.0	67.0	0.54	0.66	0.74	4.82
		48	1.11	N	8.0	2.6	3.0	0.0273	6	13	20.9	56.0	1.25	3500	56.0	63.0	67.0	0.54	0.66	0.74	4.82
		56	2.23	M	6.5	2.8	2.7	0.0778	10	22	26.5	52.0	1.25	1745	60.0	66.0	69.0	0.46	0.57	0.66	5.25
		56	2.23	M	6.5	2.8	2.7	0.0778	10	22	26.5	52.0	1.25	1745	60.0	66.0	69.0	0.46	0.57	0.66	5.25
1	0.75	56	1.48	M	6.9	2.6	2.8	0.0472	8	18	26.5	58.0	1.25	3500	60.0	65.0	68.0	0.55	0.67	0.75	6.39
		56	2.97	M	6.7	2.7	2.7	0.0973	7	15	30.9	52.0	1.15	1745	60.0	68.0	71.0	0.48	0.60	0.68	6.75
		143/5T	2.97	M	6.7	2.7	2.7	0.0973	7	15	30.9	52.0	1.15	1745	60.0	68.0	71.0	0.48	0.60	0.68	6.75
		56	2.22	L	7.3	2.5	2.7	0.0589	6	13	30.9	58.0	1.15	3500	65.0	70.0	72.0	0.57	0.69	0.77	8.60
1.5	1.1	143/5T	2.22	L	7.3	2.5	2.7	0.0589	6	13	30.9	58.0	1.15	3500	65.0	70.0	72.0	0.57	0.69	0.77	8.60
		56	4.45	M	6.9	2.7	2.7	0.1362	7	15	40.1	52.0	1.15	1745	66.0	72.0	73.0	0.48	0.60	0.69	9.49
		56H	4.45	M	6.9	2.7	2.7	0.1362	7	15	40.1	52.0	1.15	1745	66.0	72.0	73.0	0.48	0.60	0.69	9.49
		143/5T	4.45	M	6.9	2.7	2.7	0.1362	7	15	40.1	52.0	1.15	1745	66.0	72.0	73.0	0.48	0.60	0.69	9.49

continued on next page

## Single Phase - General Purpose - ODP - Rolled Steel - Standard Efficiency - *continued*

Output		Frame	Full Load Torque (ft. lb)	Locked Rotor Current		Locked Rotor Torque Tl/Tn	Break-down Torque Tb/Tn	Inertia J (lb-ft <sup>2</sup> )	Allowable locked rotor time (s)		Weight (lb)	Sound dB(A)	Service Factor	230 V							
				Code	II/In				Hot	Cold				Rated speed (rpm)	% of full load						Full load current In (A)
															Efficiency			Power Factor			
															50	75	100	50	75	100	
2	1.5	56H	2.97	L	7.8	2.5	2.6	0.0748	6	13	36.4	58.0	1.15	3490	69.0	72.0	75.0	0.60	0.72	0.80	10.9
		143/5T	2.97	L	7.8	2.5	2.6	0.0748	6	13	36.4	58.0	1.15	3490	69.0	72.0	75.0	0.60	0.72	0.80	10.9
		56	2.97	L	7.8	2.5	2.6	0.0748	6	13	36.4	58.0	1.15	3490	69.0	72.0	75.0	0.60	0.72	0.80	10.9
		56H	5.96	L	7.5	2.4	2.6	0.1550	6	13	42.3	52.0	1.15	1740	70.0	75.0	78.0	0.62	0.73	0.80	10.5
		143/5T	5.96	L	7.5	2.4	2.6	0.1550	6	13	42.3	52.0	1.15	1740	70.0	75.0	78.0	0.62	0.73	0.80	10.5
		56	5.96	L	7.5	2.4	2.6	0.1550	6	13	42.3	52.0	1.15	1740	70.0	75.0	78.0	0.62	0.73	0.80	10.5
3	2.2	56H	4.46	K	8.0	2.0	2.5	0.0864	6	13	41.2	58.0	1.15	3485	71.0	76.0	78.0	0.85	0.91	0.93	13.2
		143/5T	4.46	K	8.0	2.0	2.5	0.0864	6	13	41.2	58.0	1.15	3485	71.0	76.0	78.0	0.85	0.91	0.93	13.2
		56	4.46	K	8.0	2.0	2.5	0.0864	6	13	41.2	58.0	1.15	3485	71.0	76.0	78.0	0.85	0.91	0.93	13.2
		182/4T	8.86	H	7.1	2.8	2.5	0.2781	6	13	67.3	---	1.15	1755	69.8	77.1	80.0	0.83	0.90	0.93	12.7
5	3.7	182/4T	7.41	G	6.9	2.9	2.5	0.1559	6	13	71.7	---	1.15	3495	78.7	83.2	84.0	0.98	0.99	0.99	19.3
		182/4T	14.8	H	7.0	2.5	2.4	0.4172	6	13	88.2	---	1.15	1755	75.2	81.3	84.0	0.95	0.97	0.97	19.7
		213/5T	14.8	H	7.5	2.6	2.3	1.16	7	15	203	---	1.15	1755	78.6	83.9	85.5	0.98	0.99	0.99	18.9
7.5	5.5	213/5T	11.0	H	7.8	2.7	2.8	0.4651	6	13	110	---	1.15	3520	81.2	85.0	85.5	0.99	0.99	0.99	28.3
		182/4T	11.1	G	6.9	2.8	2.6	0.1991	6	13	83.8	---	1.15	3500	80.6	84.4	85.5	0.97	0.98	0.98	28.5
		213/5T	22.2	G	6.9	2.3	2.4	1.29	6	13	212	---	1.15	1750	83.1	85.0	85.5	0.95	0.96	0.97	28.6
10	7.5	213/5T	14.8	G	6.8	2.3	2.7	0.4440	6	13	112	---	1.15	3500	82.4	85.9	86.5	0.99	0.99	0.99	38.1
		213/5T	29.7	G	6.6	2.2	2.4	1.34	6	13	216	---	1.15	1745	83.2	86.3	86.5	0.97	0.98	0.98	38.5
12.5	9.2	213/5T	18.4	H	7.9	2.4	3.3	0.6341	6	13	161	---	1.15	3520	84.7	87.8	88.5	0.99	0.99	0.99	45.7
		213/5T	37.1	G	7.0	2.3	2.9	1.65	6	13	246	---	1.15	1745	84.2	87.3	87.5	0.97	0.98	0.98	46.4
15	11	213/5T	22.0	J	8.7	2.5	4.1	0.7188	6	13	183	---	1.15	3530	85.0	88.0	88.5	0.89	0.93	0.95	56.9

## Single Phase - General Purpose - ODP - Rolled Steel - Premium Efficiency

Output		Frame	Full Load Torque (ft.lb)	Locked Rotor Current		Locked Rotor Torque Tl/Tn	Break-down Torque Tb/Tn	Inertia J (lb-ft <sup>2</sup> )	Allowable locked rotor time (s)		Weight (lb)	Sound dB(A)	Service Factor	230 V							
				Code	II/In				Hot	Cold				Rated speed (rpm)	% of full load						Full load current In (A)
															Efficiency			Power Factor			
															50	75	100	50	75	100	
0.25	0.18	W56	0.370	M	8.8	2.8	3.1	0.0211	18	40	17.2	56.0	1.35	3510	50.0	59.0	66.6	0.91	0.93	0.94	1.25
		48	0.370	M	8.8	2.8	3.1	0.0211	18	40	17.2	56.0	1.35	3510	50.0	59.0	66.6	0.91	0.93	0.94	1.25
		W56	0.740	M	7.5	2.9	3.0	0.0358	20	44	16.5	50.0	1.35	1745	53.0	62.0	68.5	0.56	0.65	0.71	1.60
		48	0.740	M	7.5	2.9	3.0	0.0358	20	44	16.5	50.0	1.35	1745	53.0	62.0	68.5	0.56	0.65	0.71	1.60
0.33	0.25	W56	0.490	L	8.8	2.8	3.0	0.0254	15	33	19.4	56.0	1.35	3510	56.0	64.0	70.5	0.97	0.97	0.97	1.60
		48	0.490	L	8.8	2.8	3.0	0.0254	15	33	19.4	56.0	1.35	3510	56.0	64.0	70.5	0.97	0.97	0.97	1.60
		W56	0.980	N	8.0	3.2	3.2	0.0439	17	37	17.6	50.0	1.35	1745	57.0	66.0	72.4	0.57	0.67	0.73	2.10
		48	0.980	N	8.0	3.2	3.2	0.0439	17	37	17.6	50.0	1.35	1745	57.0	66.0	72.4	0.57	0.67	0.73	2.10
0.5	0.37	W56	0.740	L	8.8	2.7	3.0	0.0254	9	20	19.4	56.0	1.25	3510	60.0	68.0	72.4	0.90	0.93	0.94	2.40
		48	0.740	L	8.8	2.7	3.0	0.0254	9	20	19.4	56.0	1.25	3510	60.0	68.0	72.4	0.90	0.93	0.94	2.40
		W56	1.48	L	7.7	3.1	3.0	0.0520	15	33	19.8	50.0	1.25	1745	63.0	71.0	76.2	0.60	0.70	0.77	2.75
		48	1.48	L	7.7	3.1	3.0	0.0520	15	33	19.8	50.0	1.25	1745	63.0	71.0	76.2	0.60	0.70	0.77	2.75
0.75	0.55	56	1.11	K	8.6	3.0	3.0	0.0434	18	40	25.4	58.0	1.25	3510	64.0	71.0	76.2	0.88	0.92	0.93	3.40
		56	2.22	K	8.0	2.6	2.5	0.0973	20	44	30.9	52.0	1.25	1750	74.0	79.0	81.8	0.74	0.82	0.86	3.40
1	0.75	56	1.48	K	8.4	2.9	3.0	0.0551	16	35	29.8	58.0	1.25	3510	69.0	76.0	80.4	0.89	0.93	0.94	4.30
		56	2.96	K	8.4	2.6	2.5	0.1232	15	33	36.4	52.0	1.15	1750	75.0	80.0	82.6	0.75	0.83	0.87	4.50
		143/5T	2.96	K	8.4	2.6	2.5	0.1232	15	33	36.4	52.0	1.15	1750	75.0	80.0	82.6	0.75	0.83	0.87	4.50
		56H	2.96	K	8.4	2.6	2.5	0.1232	15	33	36.4	52.0	1.15	1750	75.0	80.0	82.6	0.75	0.83	0.87	4.50
1.5	1.1	56	2.22	J	7.7	2.6	2.7	0.0629	10	22	32.0	58.0	1.15	3500	73.0	79.0	81.5	0.88	0.89	0.89	6.65
		143/5T	2.22	J	7.7	2.6	2.7	0.0629	10	22	32.0	58.0	1.15	3500	73.0	79.0	81.5	0.88	0.89	0.89	6.65
		56H	4.45	K	8.0	2.6	2.5	0.1362	22	48	40.1	52.0	1.15	1745	76.0	81.0	83.8	0.72	0.81	0.84	6.80
		143/5T	4.45	K	8.0	2.6	2.5	0.1362	22	48	40.1	52.0	1.15	1745	76.0	81.0	83.8	0.72	0.81	0.84	6.80
		56	4.45	K	8.0	2.6	2.5	0.1362	22	48	40.1	52.0	1.15	1745	76.0	81.0	83.8	0.72	0.81	0.84	6.80
2	1.5	56	2.96	K	8.6	2.5	2.8	0.0748	8	18	36.4	58.0	1.15	3500	76.0	81.0	82.9	0.90	0.94	0.94	8.40
		56H	2.96	K	8.6	2.5	2.8	0.0748	8	18	36.4	58.0	1.15	3500	76.0	81.0	82.9	0.90	0.94	0.94	8.40
		143/5T	2.96	K	8.6	2.5	2.8	0.0748	8	18	36.4	58.0	1.15	3500	76.0	81.0	82.9	0.90	0.94	0.94	8.40
		56H	5.96	K	7.6	2.6	2.5	0.1614	18	40	45.2	52.0	1.15	1740	77.0	82.0	84.5	0.68	0.78	0.83	9.30
		143/5T	5.96	K	7.6	2.6	2.5	0.1614	18	40	45.2	52.0	1.15	1740	77.0	82.0	84.5	0.68	0.78	0.83	9.30
		56	5.96	K	7.6	2.6	2.5	0.1614	18	40	45.2	52.0	1.15	1740	77.0	82.0	84.5	0.68	0.78	0.83	9.30
3	2.2	56H	4.44	J	8.2	2.2	2.8	0.0945	6	13	42.3	58.0	1.15	3500	76.0	81.0	84.1	0.87	0.92	0.93	12.2
		143/5T	4.44	J	8.2	2.2	2.8	0.0945	6	13	42.3	58.0	1.15	3500	76.0	81.0	84.1	0.87	0.92	0.93	12.2
		56	4.44	J	8.2	2.2	2.8	0.0945	6	13	42.3	58.0	1.15	3500	76.0	81.0	84.1	0.87	0.92	0.93	12.2



## W22 - General Purpose - Three Phase - TEFC

Output		Frame	Full Load Torque (ft.lb)	Locked Rotor Current		Locked Rotor Torque Tl/Tn	Break-down Torque Td/Tn	Inertia J (lb-ft <sup>2</sup> )	Allowable locked rotor time (s)		Weight (lb)	Sound dB(A)	Service Factor	460 V									
				HP	kW				Code	I/In				Hot	Cold	Rated speed (rpm)	% of full load						Full load current In (A)
																	Efficiency			Power Factor			
																	50	75	100	50	75	100	
1	0.75	143/5T	1.49	L	8.2	2.8	3.4	0.0332	22	48	36.4	68.0	1.25	3480	75.0	79.0	81.5	0.63	0.74	0.80	1.44		
		143/5T	2.94	L	8.4	3.2	3.5	0.1172	18	40	40.8	51.0	1.25	1760	80.0	84.0	85.5	0.55	0.68	0.75	1.47		
		143/5T	4.51	K	6.2	2.6	3.0	0.1595	28	62	52.9	49.0	1.25	1150	77.0	82.0	82.5	0.45	0.57	0.66	1.73		
		182/4T	5.92	M	6.0	3.0	3.5	0.3991	22	48	94.8	50.0	1.25	875	74.0	77.0	78.5	0.32	0.42	0.52	2.30		
1.5	1.1	143/5T	2.23	L	8.9	3.5	3.8	0.0470	21	46	40.8	68.0	1.25	3490	81.5	84.0	84.0	0.70	0.80	0.84	1.96		
		143/5T	4.43	L	8.4	2.5	3.4	0.1431	14	31	48.5	51.0	1.25	1755	82.5	85.5	86.5	0.60	0.70	0.79	2.02		
		182/4T	6.64	M	7.8	3.2	4.0	0.4879	16	35	70.3	52.0	1.25	1170	84.0	86.5	87.5	0.45	0.54	0.62	2.54		
		182/4T	9.04	J	5.5	2.5	2.6	0.5766	17	37	111	50.0	1.25	860	80.0	82.5	82.5	0.43	0.54	0.62	2.70		
2	1.5	143/5T	2.98	L	8.9	3.5	3.8	0.0605	17	37	51.8	68.0	1.25	3475	82.5	85.5	85.5	0.71	0.80	0.86	2.56		
		143/5T	5.92	K	8.0	2.7	3.2	0.1561	11	24	50.7	51.0	1.25	1750	85.5	86.5	86.5	0.57	0.70	0.79	2.76		
		182/4T	8.86	L	7.5	3.0	3.5	0.6210	31	68	87.5	52.0	1.25	1170	86.5	87.5	88.5	0.46	0.58	0.66	3.22		
		213/5T	11.8	M	7.6	2.4	2.9	1.79	39	86	149	52.0	1.25	875	82.5	84.0	85.5	0.45	0.55	0.65	3.39		
3	2.2	182/4T	4.42	K	8.6	2.5	3.8	0.1889	41	90	88.2	69.0	1.25	3515	82.5	86.5	86.5	0.75	0.84	0.88	3.63		
		182/4T	8.83	K	8.1	2.3	3.4	0.3401	23	51	90.4	56.0	1.25	1760	87.5	88.5	89.5	0.61	0.73	0.79	3.91		
		213/5T	13.2	K	7.0	2.0	2.8	1.20	58	128	121	55.0	1.25	1175	86.5	88.5	89.5	0.50	0.63	0.70	4.41		
		213/5T	17.9	K	6.8	2.3	2.8	2.11	44	97	176	52.0	1.25	870	84.0	85.5	85.5	0.50	0.63	0.71	4.55		
5	3.7	182/4T	7.40	J	7.6	2.3	3.5	0.2233	25	55	88.2	69.0	1.25	3500	86.5	88.5	88.5	0.76	0.85	0.89	5.90		
		182/4T	14.8	J	7.5	2.3	3.2	0.4003	15	33	94.8	56.0	1.25	1755	88.5	89.5	89.5	0.62	0.74	0.80	6.45		
		213/5T	22.1	J	6.8	1.7	2.6	1.47	57	125	162	55.0	1.25	1170	88.5	89.5	89.5	0.58	0.70	0.76	6.83		
		254/6T	29.4	H	5.3	1.9	2.5	3.41	44	97	258	54.0	1.25	880	85.5	87.5	87.5	0.49	0.62	0.70	7.58		
7.5	5.5	213/5T	11.0	H	7.2	2.1	3.0	0.4665	27	59	139	72.0	1.25	3520	87.5	89.5	89.5	0.75	0.84	0.88	8.76		
		213/5T	22.0	H	7.1	2.2	3.1	1.34	20	44	154	58.0	1.25	1765	89.5	91.0	91.7	0.66	0.76	0.82	9.18		
		254/6T	33.1	H	6.8	2.5	3.0	3.92	30	66	262	59.0	1.25	1175	89.5	90.2	91.0	0.63	0.74	0.80	9.48		
		254/6T	44.2	G	5.3	2.0	2.5	4.43	33	73	284	54.0	1.25	880	85.5	87.5	87.5	0.50	0.63	0.71	11.1		
10	7.5	213/5T	14.7	H	7.2	2.2	2.9	0.6362	24	53	163	72.0	1.25	3520	89.5	90.2	90.2	0.79	0.87	0.90	11.6		
		213/5T	29.4	H	6.4	2.0	3.0	1.51	17	37	172	58.0	1.25	1765	91.0	91.7	91.7	0.66	0.77	0.83	12.4		
		254/6T	44.1	H	6.5	2.3	2.8	4.43	26	57	289	59.0	1.25	1175	90.2	91.0	91.0	0.63	0.74	0.78	13.3		
		284/6T	58.9	G	5.6	2.0	2.4	7.20	32	70	373	54.0	1.25	880	89.5	90.2	90.2	0.61	0.72	0.78	13.4		
15	11	254/6T	22.0	G	6.7	2.2	2.7	1.26	25	55	236	72.0	1.25	3530	89.5	91.0	91.0	0.77	0.85	0.88	17.2		
		254/6T	44.0	G	6.4	2.3	2.7	2.62	17	37	251	64.0	1.25	1765	91.0	91.7	92.4	0.68	0.78	0.83	18.0		
		284/6T	66.1	G	6.4	2.3	2.7	7.85	20	44	379	59.0	1.25	1175	91.0	91.7	91.7	0.69	0.80	0.84	17.9		
		284/6T	88.3	G	5.5	2.0	2.3	8.18	25	55	417	54.0	1.25	880	85.5	90.0	90.2	0.62	0.72	0.78	19.6		
20	15	254/6T	29.4	G	6.1	2.0	2.4	1.54	21	46	269	72.0	1.25	3520	91.0	91.7	91.0	0.82	0.87	0.89	23.2		
		254/6T	58.7	H	6.9	2.3	2.7	3.10	15	33	291	64.0	1.25	1765	91.7	92.4	93.0	0.68	0.79	0.84	24.1		
		284/6T	88.2	G	6.2	2.3	2.6	9.16	16	35	426	59.0	1.25	1175	91.0	91.7	91.7	0.70	0.80	0.85	24.2		
		324T	118	G	5.0	1.9	2.2	9.37	27	59	452	56.0	1.25	880	89.5	91.0	91.0	0.54	0.66	0.73	28.3		
		324/6T	118	G	5.0	1.9	2.2	9.37	27	59	452	56.0	1.25	880	89.5	91.0	91.0	0.54	0.66	0.73	28.3		
25	18.5	284/6TS	36.6	G	6.3	2.0	2.5	2.69	17	37	362	72.0	1.25	3535	91.0	91.7	91.7	0.82	0.87	0.89	28.5		
		284/6T	73.4	G	6.2	2.4	2.7	5.11	24	53	388	64.0	1.25	1765	92.4	93.0	93.6	0.70	0.80	0.84	29.5		
		324/6T	110	G	6.2	2.1	2.6	11.5	26	57	560	62.0	1.25	1180	91.7	93.0	93.0	0.65	0.77	0.82	30.4		
		324/6T	147	G	5.2	2.0	2.3	11.9	23	51	509	56.0	1.25	880	89.5	91.0	91.0	0.51	0.64	0.71	35.9		

continued on next page

**W22 - General Purpose - Three Phase - TEFC - continued**

Output		Frame	Full Load Torque (ft.lb)	Locked Rotor Current		Locked Rotor Torque Tl/Tn	Break-down Torque Tb/Tn	Inertia J (lb-ft <sup>2</sup> )	Allowable locked rotor time (s)		Weight (lb)	Sound dB(A)	Service Factor	460 V							
				Code	II/In				Hot	Cold				Rated speed (rpm)	% of full load						Full load current In (A)
															Efficiency			Power Factor			
									50	75					100	50	75	100			
30	22	284/6TS	44.0	G	6.3	2.0	2.5	3.37	15	33	392	72.0	1.25	3535	91.7	91.7	91.7	0.82	0.87	0.89	33.8
		284/6T	88.1	G	6.1	2.4	2.4	5.85	20	44	437	64.0	1.25	1765	93.0	93.0	93.6	0.70	0.80	0.84	35.1
		324/6T	132	G	6.2	2.3	2.6	13.2	21	46	628	62.0	1.25	1180	91.7	93.0	93.0	0.65	0.76	0.82	36.2
		364/5T	177	G	6.2	1.7	2.4	23.5	20	44	803	60.0	1.25	880	92.4	92.4	92.4	0.63	0.74	0.80	37.0
40	30	324/6TS	58.3	G	6.3	2.3	2.4	4.90	22	48	547	78.0	1.25	3555	91.7	92.4	92.4	0.82	0.87	0.89	45.8
		324/6T	117	G	6.1	2.2	2.4	9.16	20	44	492	66.0	1.25	1775	93.6	94.1	94.1	0.72	0.80	0.85	47.1
		364/5T	175	G	6.4	2.0	2.4	29.0	21	46	833	66.0	1.25	1185	93.6	93.6	94.1	0.73	0.82	0.86	46.5
		364/5T	235	H	6.7	1.7	2.3	29.0	18	40	875	60.0	1.25	880	92.4	93.0	92.4	0.66	0.76	0.81	50.3
50	37	324/6TS	73.0	F	6.2	2.2	2.3	5.75	23	51	584	78.0	1.25	3550	93.0	93.0	93.0	0.83	0.87	0.89	56.1
		324/6T	146	G	6.2	2.3	2.7	9.16	15	33	536	66.0	1.25	1775	93.0	94.1	94.5	0.66	0.77	0.83	59.2
		364/5T	220	G	6.4	2.0	2.4	32.4	18	40	869	66.0	1.25	1180	93.6	94.1	94.1	0.74	0.83	0.86	57.4
		404/5T	294	H	6.8	1.7	2.6	34.6	15	33	1012	60.0	1.25	880	93.0	93.0	93.0	0.68	0.78	0.83	60.0
60	45	364/5TS	87.3	G	6.6	2.0	2.6	10.6	14	31	825	79.0	1.25	3560	91.7	93.0	93.6	0.81	0.88	0.90	67.0
		364/5T	175	G	6.6	2.4	2.6	22.4	15	33	869	67.0	1.25	1775	94.1	94.5	95.0	0.75	0.83	0.87	68.3
		404/5T	262	H	7.1	2.0	2.3	36.9	20	44	1036	68.0	1.25	1185	94.1	94.5	94.5	0.74	0.82	0.86	69.5
		404/5T	353	H	6.5	1.8	2.7	40.2	13	29	1111	60.0	1.25	880	93.0	93.0	93.0	0.68	0.78	0.83	73.0
75	55	364/5TS	109	G	6.7	2.0	2.6	11.9	10	22	847	79.0	1.25	3555	92.4	93.6	93.6	0.83	0.88	0.90	81.9
		364/5T	219	G	6.4	2.4	2.6	23.3	14	31	919	67.0	1.25	1775	94.5	95.0	95.4	0.73	0.82	0.86	84.1
		404/5T	329	G	6.4	2.0	2.3	40.2	17	37	1089	68.0	1.25	1180	94.1	94.5	94.5	0.74	0.83	0.86	84.9
		444/5T	437	G	6.0	1.8	2.1	73.6	18	40	1444	63.0	1.25	890	93.0	93.6	93.6	0.64	0.74	0.79	93.0
100	75	404/5TS	146	G	6.5	2.0	2.4	13.2	14	31	1045	79.0	1.25	3545	93.0	94.1	94.1	0.85	0.90	0.91	110
		404/5T	292	H	7.3	2.4	2.6	29.9	13	29	1140	68.0	1.25	1775	95.0	95.0	95.4	0.77	0.84	0.88	111
		444/5T	437	G	6.2	2.2	2.6	87.3	20	44	1577	69.0	1.25	1185	94.5	95.0	95.0	0.68	0.78	0.82	121
		444/5T	582	G	6.0	1.9	2.2	87.3	15	33	1599	63.0	1.25	890	93.6	94.1	94.1	0.63	0.74	0.79	127
125	90	444/5TS	181	G	6.6	2.0	2.5	33.5	29	64	1599	81.0	1.15	3570	93.6	94.5	95.0	0.82	0.87	0.89	134
		444/5T	364	G	6.5	2.0	2.3	57.2	27	59	1590	73.0	1.15	1780	95.0	95.4	95.4	0.74	0.82	0.85	139
		444/5T	547	G	6.4	2.1	2.4	104	19	42	1751	69.0	1.15	1185	95.0	95.4	95.0	0.70	0.79	0.83	143
		445/7T	728	G	6.0	1.8	2.1	104	17	37	1887	63.0	1.15	890	94.5	94.5	94.5	0.64	0.74	0.79	151
150	110	444/5TS	218	G	6.5	1.8	2.4	39.1	22	48	1709	81.0	1.15	3570	94.1	95.0	95.0	0.83	0.88	0.89	163
		444/5T	437	G	6.6	2.0	2.5	66.7	27	59	1676	73.0	1.15	1780	95.4	95.8	95.8	0.74	0.82	0.85	170
		445/7T	656	G	6.2	2.4	2.6	134	20	44	2042	69.0	1.15	1185	95.0	95.4	95.8	0.67	0.78	0.82	176
		445/7T	873	G	6.0	1.9	2.1	125	15	33	2042	63.0	1.15	890	94.5	94.5	94.5	0.64	0.74	0.79	185
200	150	445/7TS	290	G	6.5	2.1	2.3	44.7	14	31	1914	81.0	1.15	3570	95.0	95.4	95.4	0.86	0.89	0.90	219
		445/7T	580	G	6.8	2.3	2.5	76.2	16	35	2095	73.0	1.15	1785	95.8	96.2	96.2	0.73	0.82	0.85	230
		447/9T	871	G	6.6	2.3	2.4	145	15	33	2247	70.0	1.15	1190	95.0	95.4	95.8	0.68	0.79	0.83	237
		586/7T	1158	G	6.3	1.4	2.1	350	40	88	3334	75.0	1.15	895	95.0	95.4	95.4	0.65	0.75	0.80	247
250	185	447/9TS	363	F	6.5	2.0	2.2	50.3	18	40	2159	81.0	1.15	3565	95.4	95.8	95.8	0.87	0.90	0.91	266
		447/9T	728	G	6.5	2.3	2.4	89.6	15	33	2079	75.0	1.15	1780	95.8	96.2	96.2	0.75	0.83	0.86	281
		447/9T	1093	G	6.1	2.4	2.4	145	12	26	2538	70.0	1.15	1185	95.0	95.4	95.8	0.68	0.79	0.83	292
		586/7T	1447	G	6.2	1.4	2.1	395	40	88	3649	75.0	1.15	895	95.4	95.8	95.8	0.66	0.76	0.81	299

*continued on next page*

## W22 - General Purpose - Three Phase - TEFC - continued

Output		Frame	Full Load Torque (ft.lb)	Locked Rotor Current		Locked Rotor Torque Tl/Tn	Break-down Torque Td/Tn	Inertia J (lb-ft <sup>2</sup> )	Allowable locked rotor time (s)		Weight (lb)	Sound dB(A)	Service Factor	460 V						Full load current In (A)	
														Rated speed (rpm)	% of full load						
															Efficiency			Power Factor			
															50	75	100	50	75		100
HP	kW	Code	II/In	Hot	Cold																
300	220	447/9TS	435	G	6.8	2.1	2.4	58.1	14	31	2545	81.0	1.15	3570	95.4	95.8	95.8	0.86	0.89	0.90	320
		447/9T	873	G	6.5	2.3	2.3	89.6	16	35	2381	75.0	1.15	1780	95.8	96.2	96.2	0.77	0.84	0.87	330
		447/9T	1306	J	7.7	2.7	3.0	145	10	22	2613	70.0	1.15	1190	95.4	95.8	95.8	0.63	0.75	0.81	356
		586/7T	1737	H	6.7	1.5	2.2	451	40	88	4035	75.0	1.15	895	95.4	95.8	95.8	0.66	0.77	0.81	356
350	260	586/7TS	507	G	6.6	1.6	2.3	136	28	62	3621	84.0	1.15	3580	95.4	96.2	96.2	0.86	0.90	0.91	373
		447/9T	1019	G	6.4	2.5	2.4	118	14	31	2675	75.0	1.15	1780	95.8	96.2	96.2	0.77	0.84	0.86	394
		586/7T	1524	G	6.0	2.0	2.1	328	29	64	3784	77.0	1.15	1190	95.4	95.8	95.8	0.67	0.77	0.81	421
		586/7T	2026	G	6.4	1.6	2.3	484	34	75	4309	75.0	1.00	895	95.4	95.8	95.8	0.64	0.75	0.80	426
400	300	586/7TS	579	G	6.8	1.8	2.2	122	48	106	3749	84.0	1.15	3580	95.8	96.2	96.2	0.88	0.90	0.91	430
		586/7T	1158	G	6.3	2.0	2.2	179	19	42	3455	78.0	1.15	1790	95.8	96.2	96.2	0.78	0.85	0.86	455
		586/7T	1741	G	6.0	2.2	2.1	368	29	64	4115	77.0	1.15	1190	95.4	95.8	96.2	0.67	0.77	0.81	483
		588/9T	2315	H	6.7	1.5	2.4	537	25	55	4851	75.0	1.00	895	95.0	95.6	95.7	0.62	0.73	0.79	498
450	330	586/7TS	651	F	6.6	2.0	2.3	132	34	75	3918	84.0	1.15	3580	95.8	96.2	96.2	0.88	0.90	0.91	473
		586/7T	1302	G	6.4	2.2	2.1	213	16	35	3640	78.0	1.15	1790	95.8	96.2	96.2	0.78	0.83	0.85	507
		586/7T	1959	G	6.1	2.1	2.1	368	25	55	4384	77.0	1.00	1190	95.8	96.2	96.2	0.67	0.77	0.81	532
		588/9T	2605	G	6.6	1.6	2.3	617	27	59	5281	75.0	1.00	895	95.2	95.7	95.8	0.65	0.75	0.81	534
500	370	586/7TS	724	G	6.8	2.2	2.4	143	39	86	4086	84.0	1.15	3580	95.8	96.2	96.2	0.88	0.90	0.91	530
		586/7T	1447	G	6.5	2.2	2.3	256	16	35	3912	78.0	1.00	1790	95.8	96.2	96.2	0.80	0.85	0.87	555
		586/7T	2177	G	6.0	2.2	2.1	368	25	55	4403	77.0	1.00	1190	95.8	96.2	96.2	0.66	0.76	0.80	603
550	400	588/9TS	795	G	7.4	2.3	2.7	155	33	73	4410	89.0	1.00	3585	96.0	96.5	96.5	0.84	0.89	0.90	578
		586/7T	1592	G	7.1	2.2	2.5	236	16	35	4335	78.0	1.00	1790	96.2	96.4	96.5	0.74	0.82	0.86	605
		588/9T	2395	G	6.5	2.2	2.3	389	30	66	4734	77.0	1.00	1190	95.2	96.0	96.1	0.63	0.74	0.79	661
600	440	588/9TS	867	H	7.4	2.3	2.7	155	33	73	4410	89.0	1.00	3585	96.0	96.5	96.5	0.84	0.89	0.90	650
		586/7T	1737	G	7.1	2.3	2.5	236	16	35	4335	78.0	1.00	1790	96.2	96.4	96.5	0.74	0.82	0.86	665
		588/9T	2612	H	6.5	2.2	2.3	449	31	68	5173	77.0	1.00	1190	95.4	96.1	96.2	0.63	0.74	0.79	743
650	480	588/9TS	939	G	7.1	2.0	2.4	176	56	123	4635	89.0	1.00	3585	96.1	96.6	96.6	0.86	0.90	0.91	685
		588/9T	1881	H	7.4	2.5	2.7	301	22	48	4395	81.0	1.00	1790	96.0	96.5	96.6	0.71	0.81	0.85	734
700	515.2	588/9TS	1012	G	7.2	2.3	2.5	183	34	75	4805	89.0	1.00	3585	96.2	96.6	96.6	0.86	0.90	0.91	736
		588/9T	2026	G	6.5	2.5	2.2	335	23	51	4584	81.0	1.00	1790	96.2	96.5	96.6	0.76	0.81	0.85	788
750	550	588/9T	2171	G	7.0	2.4	2.5	347	29	64	4952	81.0	1.00	1790	96.3	96.6	96.7	0.70	0.80	0.85	840

## Rolled Steel - General Purpose - Three Phase - TEFC

Output		Frame	Full Load Torque (ft.lb)	Locked Rotor Current		Locked Rotor Torque Tl/Tn	Break-down Torque Tb/Tn	Inertia J (lb-ft <sup>2</sup> )	Allowable locked rotor time (s)		Weight (lb)	Sound dB(A)	Service Factor	460 V							
				Code	I/In				Hot	Cold				Rated speed (rpm)	% of full load			Full load current In (A)			
															Efficiency				Power Factor		
HP	KW													50	75	100	50	75	100		
1	0.75	143/5T	1.48	K	7.8	2.0	3.0	0.0643	22	48	26.2	68.0	1.15	3510	72.0	77.0	78.5	0.65	0.76	0.83	1.44
		143/5T	2.94	M	8.6	2.8	3.0	0.1232	19	42	37.9	52.0	1.15	1765	82.5	84.0	85.5	0.52	0.66	0.75	1.47
		143/5T	4.52	J	5.8	2.3	2.8	0.1597	31	68	38.6	49.0	1.15	1145	80.0	82.5	82.5	0.50	0.63	0.72	1.58
1.5	1.1	143/5T	2.21	L	9.1	2.3	3.0	0.1023	17	37	34.2	68.0	1.15	3520	80.0	82.5	84.0	0.71	0.82	0.88	1.87
		143/5T	4.44	K	8.2	2.7	3.0	0.1101	21	46	37.9	52.0	1.15	1750	85.5	86.5	86.5	0.59	0.72	0.79	2.02
		182/4T	6.64	K	6.9	2.4	3.4	0.2800	55	121	65.9	52.0	1.15	1170	84.0	86.5	87.5	0.50	0.63	0.71	2.22
2	1.5	143/5T	2.94	L	9.9	2.5	3.0	0.1279	13	29	40.1	68.0	1.15	3520	82.5	85.5	85.5	0.73	0.83	0.89	2.47
		143/5T	5.94	K	8.2	2.7	3.0	0.1296	15	33	42.3	52.0	1.15	1745	85.5	87.5	86.5	0.60	0.73	0.80	2.72
		182/4T	8.86	K	7.5	2.6	3.7	0.3424	44	97	76.1	52.0	1.15	1170	84.0	86.5	88.5	0.50	0.62	0.71	3.00
3	2.2	182/4T	4.42	K	8.8	2.2	3.0	0.1564	22	48	63.5	68.0	1.15	3515	84.0	86.5	86.5	0.71	0.82	0.87	3.67
		182/4T	8.81	K	8.8	2.2	3.0	0.4017	18	40	80.3	56.0	1.15	1765	87.5	88.5	89.5	0.61	0.74	0.81	3.81
		213/5T	13.2	H	6.4	2.3	2.9	1.08	46	101	130	55.0	1.15	1175	85.5	88.5	89.5	0.55	0.67	0.74	4.17
5	3.7	182/4T	7.40	J	7.8	2.2	3.0	0.2079	17	37	78.5	68.0	1.15	3500	87.5	88.5	88.5	0.76	0.85	0.89	5.90
		182/4T	14.8	J	7.0	2.2	3.0	0.3080	16	35	71.4	56.0	1.15	1750	88.5	89.5	89.5	0.60	0.73	0.80	6.49
		213/5T	22.0	H	6.0	2.2	2.5	1.26	30	66	144	55.0	1.15	1175	87.5	88.5	89.5	0.59	0.71	0.77	6.74
7.5	5.5	213/5T	11.0	H	7.6	2.6	3.0	0.5496	15	33	133	70.0	1.15	3530	87.5	88.5	89.5	0.76	0.85	0.89	8.67
		213/5T	22.0	H	7.3	2.6	3.0	0.9380	22	48	120	60.0	1.15	1770	90.2	91.0	91.7	0.64	0.76	0.82	9.07
		254/6T	33.1	G	5.4	2.0	2.3	2.34	42	92	204	59.0	1.15	1175	89.5	89.5	91.0	0.58	0.70	0.76	9.98
10	7.5	213/5T	14.7	H	7.5	2.6	3.0	0.7188	12	26	161	70.0	1.15	3530	89.5	90.2	90.2	0.80	0.88	0.91	11.5
		213/5T	29.4	H	7.0	2.5	3.0	1.07	15	33	130	60.0	1.15	1760	91.0	91.0	91.7	0.67	0.78	0.84	12.2
		254/6T	44.1	G	5.4	2.1	2.3	2.83	30	66	234	59.0	1.15	1175	90.2	91.0	91.0	0.57	0.69	0.75	13.8
15	11	254/6T	22.0	G	6.8	2.0	3.0	0.8718	14	31	175	75.0	1.15	3525	89.5	91.0	91.0	0.73	0.83	0.87	17.4
		254/6T	43.9	G	6.5	2.5	3.0	2.15	19	42	197	68.0	1.15	1770	91.0	92.4	92.4	0.64	0.76	0.82	18.2
20	15	254/6T	29.5	G	6.6	2.0	2.9	1.22	12	26	211	75.0	1.15	3515	90.0	91.0	91.0	0.81	0.88	0.91	22.7
		254/6T	58.7	H	6.7	2.7	3.0	2.64	16	35	227	68.0	1.15	1765	91.7	92.4	93.0	0.66	0.77	0.82	24.7
25	18.5	254/6T	36.7	J	8.3	2.4	3.4	1.31	8	18	221	75.0	1.15	3530	91.0	91.7	91.7	0.77	0.85	0.89	28.5

## ODP Rolled Steel up to 254/6T Frame - Three Phase - General Purpose

Output		Frame	Full Load Torque (ft.lb)	Locked Rotor Current		Locked Rotor Torque Tl/Tn	Break-down Torque Tb/Tn	Inertia J (lb-ft <sup>2</sup> )	Allowable locked rotor time (s)		Weight (lb)	Sound dB(A)	Service Factor	460 V							
				Code	II/In				Hot	Cold				Rated speed (rpm)	% of full load						Full load current In (A)
															Efficiency			Power Factor			
															50	75	100	50	75	100	
1	0.75	143/5T	1.48	L	8.3	2.1	3.3	0.0643	22	48	25.4	62.0	1.15	3510	74.0	78.5	80.0	0.66	0.78	0.85	1.38
		143/5T	2.94	L	8.0	2.9	3.6	0.1101	22	48	34.4	52.0	1.15	1760	81.5	84.0	85.5	0.51	0.65	0.73	1.51
		143/5T	4.51	K	6.1	2.5	3.0	0.1419	24	53	35.3	49.0	1.15	1150	78.5	81.5	82.5	0.47	0.60	0.69	1.65
1.5	1.1	143/5T	2.21	K	8.6	2.1	3.3	0.0835	19	42	29.3	62.0	1.15	3510	81.5	84.0	84.0	0.73	0.83	0.89	1.85
		143/5T	4.42	L	8.7	2.8	3.3	0.1426	15	33	41.9	52.0	1.15	1760	84.0	86.5	86.5	0.56	0.69	0.77	2.07
		182/4T	6.67	J	6.5	2.0	3.1	0.2178	46	101	56.0	52.0	1.15	1165	84.0	85.5	86.5	0.51	0.63	0.71	2.25
2	1.5	143/5T	2.95	K	8.9	2.2	3.3	0.1151	14	31	36.8	62.0	1.15	3510	84.0	85.5	85.5	0.77	0.86	0.91	2.42
		143/5T	5.96	K	7.7	2.6	3.2	0.1168	17	37	39.0	52.0	1.15	1740	85.5	86.5	86.5	0.61	0.74	0.81	2.69
		182/4T	8.89	J	6.6	2.0	3.0	0.2800	33	73	66.1	52.0	1.15	1165	85.5	86.5	87.5	0.53	0.66	0.73	2.95
3	2.2	143/5T	4.47	J	8.0	2.3	3.0	0.1279	9	20	39.9	62.0	1.15	3480	84.0	85.5	85.5	0.76	0.86	0.90	3.59
		182/4T	8.81	K	8.4	2.2	3.3	0.3092	15	33	65.9	55.0	1.15	1765	87.5	88.5	89.5	0.60	0.73	0.80	3.86
		213/5T	13.2	H	5.9	2.1	2.6	0.8104	39	86	98.3	55.0	1.15	1175	86.5	87.5	88.5	0.56	0.68	0.75	4.16
5	3.7	182/4T	7.38	J	7.6	1.9	3.0	0.1386	12	26	58.7	65.0	1.15	3510	85.5	86.5	86.5	0.73	0.83	0.88	6.10
		182/4T	14.7	J	7.2	2.0	3.1	0.4003	12	26	79.8	55.0	1.15	1760	88.5	88.5	89.5	0.63	0.76	0.82	6.33
		213/5T	22.0	H	5.9	2.2	2.5	1.08	29	64	118	55.0	1.15	1175	88.5	89.5	89.5	0.58	0.70	0.77	6.74
7.5	5.5	182/4T	11.1	H	7.4	1.8	2.9	0.1818	10	22	69.9	65.0	1.15	3500	88.5	88.5	88.5	0.76	0.85	0.90	8.67
		213/5T	22.0	H	7.2	2.4	3.2	1.03	13	29	116	59.0	1.15	1770	89.5	90.2	91.0	0.65	0.77	0.82	9.25
10	7.5	213/5T	14.7	H	6.8	2.0	2.8	0.4651	11	24	117	66.0	1.15	3535	88.5	89.5	89.5	0.74	0.84	0.88	12.0
		213T	14.7	H	7.2	2.2	2.8	0.4881	15	33	121	68.0	1.15	3520	89.5	90.2	90.2	0.73	0.83	0.88	11.9
		213/5T	29.3	H	7.0	2.5	3.5	1.30	14	31	137	59.0	1.15	1770	90.2	91.0	91.7	0.64	0.77	0.83	12.4
15	11	213/5T	22.0	G	6.8	2.1	2.8	0.5512	8	18	131	66.0	1.15	3535	90.2	90.2	90.2	0.77	0.86	0.89	17.2



ODP Cast Iron - 254 Frame and Larger - Three Phase - General Purpose

Output		Frame	Full Load Torque (ft.lb)	Locked Rotor Current		Locked Rotor Torque Tl/Tn	Break-down Torque Tbr/Tn	Inertia J (lb-ft <sup>2</sup> )	Allowable locked rotor time (s)		Weight (lb)	Sound dB(A)	Service Factor	460 V							
														Rated speed (rpm)	% of full load						Full load current in (A)
															Efficiency			Power Factor			
															50	75	100	50	75	100	
HP	kW	Code	II/In	Hot	Cold																
7.5	5.5	254T	32.9	H	6.7	2.6	3.0	2.29	16	35	240	59.0	1.25	1180	87.5	89.5	90.2	0.58	0.70	0.77	9.94
10	7.5	254/6T	43.9	H	6.8	2.3	3.0	3.53	17	37	300	59.0	1.25	1180	90.2	91.0	91.7	0.62	0.74	0.80	12.8
15	11	254T	43.9	G	6.4	2.4	2.8	2.72	17	37	289	62.0	1.25	1770	91.7	92.4	93.0	0.66	0.78	0.85	17.5
		284T	65.9	G	6.3	2.6	2.6	4.80	16	35	337	59.0	1.25	1180	91.0	91.7	91.7	0.67	0.77	0.82	18.4
20	15	254T	29.3	G	6.3	2.0	2.8	0.8718	12	26	240	---	1.25	3535	90.2	91.0	91.0	0.72	0.82	0.85	24.3
		254/6T	58.7	G	6.4	2.2	2.8	3.13	12	26	320	62.0	1.25	1765	92.4	93.0	93.0	0.69	0.79	0.84	24.1
		284/6T	88.0	G	6.4	2.3	2.6	6.89	15	33	410	59.0	1.25	1177	91.7	92.4	92.4	0.71	0.80	0.84	24.3
25	18.5	254/6T	36.6	G	6.5	2.0	2.8	1.13	11	24	276	---	1.25	3535	91.0	91.7	91.7	0.77	0.85	0.88	28.8
		284T	73.2	G	6.6	2.7	2.8	3.71	17	37	370	64.0	1.25	1770	93.0	93.6	93.6	0.69	0.80	0.84	29.5
		324T	109	G	6.2	2.1	2.5	7.69	18	40	474	62.0	1.25	1183	91.7	92.4	93.0	0.65	0.76	0.81	30.8
30	22	284TS	43.8	G	6.3	1.8	2.8	1.59	10	22	324	73.0	1.25	3545	90.2	91.7	91.7	0.73	0.82	0.86	35.0
		284/6T	87.8	G	6.6	2.8	2.8	4.52	18	40	421	64.0	1.25	1770	93.6	94.1	94.1	0.70	0.80	0.84	34.9
		324/6T	131	G	6.3	2.0	2.4	9.56	17	37	545	62.0	1.25	1182	92.4	93.0	93.6	0.70	0.79	0.82	36.0
40	30	284/6TS	58.5	G	6.5	1.9	2.6	2.02	8	18	370	73.0	1.25	3540	91.7	92.4	92.4	0.76	0.84	0.87	46.8
		324T	117	G	6.2	2.0	2.4	5.69	13	29	472	66.0	1.25	1775	93.6	94.1	94.1	0.70	0.80	0.84	47.6
		364/5T	175	G	6.4	2.0	2.3	21.8	22	48	787	68.0	1.25	1185	93.6	94.1	94.1	0.74	0.82	0.85	47.1
50	37	324TS	72.8	G	6.3	2.0	2.2	3.02	14	31	450	75.0	1.25	3560	91.7	93.0	93.0	0.73	0.82	0.85	58.7
		324/6T	146	G	6.3	2.4	2.4	7.08	11	24	542	66.0	1.25	1775	94.1	94.5	94.5	0.70	0.80	0.84	58.5
		364/5T	219	G	6.7	2.2	2.4	23.9	15	33	820	68.0	1.25	1185	93.6	94.1	94.1	0.74	0.82	0.85	58.1
60	45	324/6TS	87.3	G	6.3	2.2	2.3	3.82	12	26	514	75.0	1.25	3560	92.4	93.0	93.6	0.73	0.82	0.85	71.0
		364/5T	175	G	6.5	2.0	2.4	15.6	19	42	785	69.0	1.25	1780	94.5	95.0	95.0	0.73	0.82	0.85	69.9
		404/5T	262	G	6.7	2.4	2.5	29.4	16	35	975	68.0	1.25	1185	91.7	94.5	94.5	0.73	0.82	0.85	70.3
75	55	364/5TS	109	G	6.6	2.0	2.5	6.40	19	42	736	84.0	1.25	3560	91.7	93.0	93.6	0.77	0.84	0.87	84.8
		364/5T	218	G	6.8	2.2	2.6	16.8	14	31	811	69.0	1.25	1780	94.5	95.0	95.0	0.73	0.82	0.85	85.5
		404/5T	328	G	6.7	2.4	2.7	31.6	11	24	1008	68.0	1.25	1185	94.1	94.5	94.5	0.72	0.81	0.85	85.9
100	75	364/5TS	146	G	6.6	1.8	2.3	7.20	13	29	774	84.0	1.25	3555	92.4	93.6	93.6	0.77	0.84	0.87	116
		404/5T	291	G	6.8	2.0	2.5	21.9	12	26	992	69.0	1.25	1780	95.0	95.4	95.4	0.75	0.83	0.86	115
		444/5T	435	G	6.1	2.0	2.5	60.6	13	29	1301	69.0	1.25	1190	94.5	95.0	95.0	0.61	0.71	0.78	127
125	90	404/5TS	182	G	6.8	1.7	2.6	8.23	12	26	886	84.0	1.25	3557	93.0	94.1	94.1	0.79	0.86	0.88	136
		404/5T	364	G	6.9	2.7	2.6	25.5	10	22	1072	69.0	1.25	1780	95.0	95.4	95.4	0.75	0.83	0.86	138
		444/5T	545	G	6.3	2.1	2.5	63.2	11	24	1389	69.0	1.25	1189	94.5	95.0	95.0	0.59	0.71	0.77	154
150	110	404/5TS	219	G	6.6	2.0	2.5	8.80	9	20	931	84.0	1.25	3552	93.6	94.1	94.1	0.79	0.86	0.88	167
		444/5T	436	G	6.5	2.0	2.4	42.1	22	48	1374	78.0	1.25	1784	95.4	95.8	95.8	0.74	0.82	0.85	170
		444/5T	654	G	6.4	2.1	2.6	79.0	11	24	1563	69.0	1.25	1188	94.5	95.0	95.4	0.62	0.73	0.79	183
200	150	444/5TS	290	G	6.5	1.4	2.3	23.8	21	46	1400	85.0	1.15	3570	93.0	94.5	95.0	0.79	0.86	0.88	225
		444/5T	581	G	6.6	2.1	2.5	46.4	14	31	1446	78.0	1.15	1783	95.4	95.8	95.8	0.72	0.80	0.84	234
		447/9T	874	F	5.8	2.0	2.2	98.2	18	40	2260	75.0	1.15	1185	95.0	95.4	95.4	0.69	0.78	0.82	241

continued on next page

Electrical Data

## ODP Cast Iron - 254 Frame and Larger - Three Phase - General Purpose - *continued*

Output		Frame	Full Load Torque (ft.lb)	Locked Rotor Current		Locked Rotor Torque Tl/Tn	Break-down Torque Td/Tn	Inertia J (lb-ft <sup>2</sup> )	Allowable locked rotor time (s)		Weight (lb)	Sound dB(A)	Service Factor	460 V								
				Code	ll/n				Hot	Cold				Rated speed (rpm)	% of full load						Full load current In (A)	
															Efficiency			Power Factor				
															50	75	100	50	75	100		
250	185	444/5TS	363	G	6.7	1.5	2.3	26.9	16	35	1488	85.0	1.15	3570	93.6	94.5	95.0	0.79	0.85	0.88	278	
		444/5T	728	G	6.4	2.1	2.4	50.9	9	20	1517	78.0	1.15	1780	95.4	95.8	95.8	0.72	0.80	0.84	289	
		447/9T	1093	G	6.5	2.2	2.4	115	18	40	2481	75.0	1.15	1185	95.4	95.8	95.8	0.67	0.77	0.81	299	
300	220	444/5TS	435	G	6.5	1.5	2.4	28.6	12	26	1535	85.0	1.15	3570	95.0	95.4	95.4	0.80	0.86	0.88	329	
		447/9T	873	G	7.1	2.2	2.3	56.1	10	22	2150	78.0	1.15	1780	95.8	95.8	95.8	0.81	0.87	0.89	324	
		447/9T*	1306	H	6.7	2.4	2.8	131	18	40	2701	75.0	1.15	1190	95.4	95.8	95.8	0.62	0.73	0.79	365	
350	260	447/9TS	509	G	6.5	1.7	2.5	35.7	14	31	1874	87.0	1.15	3565	95.0	95.4	95.4	0.83	0.88	0.89	384	
		447/9T	1019	G	6.6	2.0	2.3	66.1	10	22	2370	78.0	1.15	1780	95.8	95.8	95.8	0.76	0.83	0.86	396	
		5010/11	1524	G	6.2	2.0	2.1	217	15	33	3528	78.0	1.15	1190	95.4	95.8	95.8	0.71	0.80	0.84	406	
400	300	447/9TS	581	G	6.5	1.7	2.5	39.1	14	31	2040	87.0	1.15	3565	95.4	95.8	95.8	0.83	0.88	0.89	442	
		447/9T	1164	G	6.8	2.3	2.3	77.6	9	20	2591	78.0	1.15	1780	95.8	95.8	95.8	0.78	0.85	0.87	452	
		5010/11	1741	G	6.3	2.1	2.1	265	15	33	3749	78.0	1.15	1190	95.4	95.8	95.8	0.71	0.80	0.84	468	
450	330	447/9TS	654	G	6.8	1.8	2.5	43.6	14	31	2128	87.0	1.15	3565	95.8	96.2	96.2	0.84	0.89	0.90	478	
		5010/11	1305	G	6.8	2.2	2.2	118	18	40	3087	80.0	1.15	1787	95.4	95.8	96.2	0.73	0.82	0.85	507	
		5010/11*	1959	G	6.5	2.3	2.3	265	15	33	3749	78.0	1.00	1190	95.4	95.8	95.8	0.68	0.78	0.82	527	
500	370	447/9TS	726	G	7.1	1.9	2.5	46.9	14	31	2194	87.0	1.15	3570	95.8	96.2	96.2	0.84	0.89	0.90	536	
		5010/11	1450	H	7.0	2.3	2.3	131	17	37	3308	80.0	1.15	1787	95.4	95.8	96.2	0.73	0.82	0.85	568	
		447/9TS	799	G	7.2	2.0	2.5	50.3	14	31	2326	87.0	1.15	3565	95.8	96.2	96.2	0.84	0.89	0.90	580	
550	400	5010/11	1595	G	6.8	2.2	2.2	144	16	35	3528	80.0	1.15	1787	95.6	96.2	96.2	0.76	0.84	0.87	600	
600	440	447/9TS	872	H	7.9	1.9	2.7	53.6	14	31	2414	87.0	1.15	3565	95.8	96.2	96.2	0.81	0.88	0.89	645	
		5010/11*	1740	G	6.8	2.2	2.2	157	12	26	3749	80.0	1.00	1787	95.8	96.2	96.2	0.76	0.84	0.87	660	
650	480	5010/11	943	G	6.5	1.8	2.3	73.3	12	26	2977	89.0	1.15	3570	95.0	95.4	96.2	0.78	0.85	0.88	712	
		L5010/11	1887	F	6.0	1.5	2.2	219	25	55	5292	80.0	1.15	1785	95.4	96.2	96.2	0.76	0.83	0.85	737	
700	515	5010/11	1016	G	6.8	2.0	2.4	78.5	16	35	3418	89.0	1.15	3570	95.4	95.8	96.2	0.79	0.86	0.88	764	
		L5010/11	2032	H	7.0	1.8	2.3	106	15	33	5954	80.0	1.15	1785	95.4	96.2	96.2	0.70	0.80	0.84	800	
750	560	5010/11	1085	H	7.5	2.1	2.6	89.0	12	26	3308	89.0	1.15	3580	95.4	96.0	96.0	0.76	0.83	0.87	827	
		L5010/11	2177	G	6.5	1.7	2.3	248	25	55	5954	80.0	1.15	1785	95.4	96.2	96.2	0.73	0.81	0.84	870	
800	590	5010/11	1159	H	7.4	2.0	2.5	89.0	12	26	3528	89.0	1.15	3575	95.8	96.2	96.2	0.78	0.85	0.87	885	
		L5010/11	2322	F	6.2	1.6	2.2	248	25	55	5954	80.0	1.00	1785	95.4	96.2	96.2	0.74	0.82	0.85	906	

## Explosion Proof - Three Phase

Output		Frame	Full Load Torque (ft. lb)	Locked Rotor Current		Locked Rotor Torque Tl/Tn	Break-down Torque Tb/Tn	Inertia J (lb-ft <sup>2</sup> )	Allowable locked rotor time (s)		Weight (lb)	Sound dB(A)	Service Factor	460 V							
				Code	II/In				Hot	Cold				Rated speed (rpm)	% of full load			Full load current In (A)			
															Efficiency				Power Factor		
HP	kW													50	75	100	50	75	100		
1	0.75	143T	1.48	M	9.0	3.0	4.0	0.0415	40	88	61.7	68.0	1.15	3495	75.5	80.0	81.5	0.65	0.76	0.82	1.41
		143T	2.94	L	8.6	2.9	3.7	0.0975	18	40	61.7	51.0	1.15	1760	80.0	82.5	85.5	0.57	0.70	0.77	1.43
		145T	4.52	J	5.8	2.0	2.5	0.1595	30	66	52.9	49.0	1.15	1145	78.5	81.5	82.5	0.54	0.66	0.74	1.54
		182T	5.92	M	6.0	3.0	3.5	0.3991	22	48	112	50.0	1.15	875	74.0	77.0	78.5	0.32	0.42	0.52	2.30
1.5	1.1	143T	2.22	M	9.2	3.0	4.0	0.0413	20	44	61.7	68.0	1.15	3500	78.5	82.5	84.0	0.62	0.73	0.80	2.05
		145T	4.42	L	8.9	2.7	3.5	0.1303	14	31	70.6	51.0	1.15	1760	81.5	85.5	86.5	0.58	0.70	0.78	2.05
		182T	6.67	K	7.2	2.6	3.3	0.4212	35	77	118	52.0	1.15	1165	84.5	86.5	87.5	0.47	0.59	0.68	2.32
		184T	9.04	J	5.5	2.4	2.6	0.5223	17	37	128	50.0	1.15	860	80.0	81.5	82.5	0.42	0.54	0.62	2.70
2	1.5	145T	2.96	M	9.4	3.5	4.0	0.0551	15	33	66.1	68.0	1.15	3495	80.0	84.0	85.5	0.64	0.76	0.82	2.69
		145T	5.92	K	7.9	2.5	3.2	0.1595	11	24	72.8	51.0	1.15	1750	84.0	85.5	86.5	0.60	0.73	0.80	2.72
		184T	8.89	K	7.0	2.6	3.3	0.5323	35	77	129	52.0	1.15	1165	84.5	86.5	88.5	0.47	0.58	0.68	3.13
		213T	11.9	M	7.6	2.7	3.0	1.31	35	77	165	52.0	1.15	870	80.0	82.5	84.0	0.45	0.57	0.65	3.45
3	2.2	182T	4.43	K	8.4	2.5	4.0	0.1471	30	66	90.4	69.0	1.15	3510	82.5	85.5	86.5	0.73	0.81	0.85	3.76
		182T	8.83	K	8.0	2.5	3.2	0.2781	28	62	115	56.0	1.15	1760	87.5	88.5	89.5	0.59	0.71	0.79	3.91
		213T	13.2	K	7.0	2.2	2.5	1.20	58	128	165	55.0	1.15	1175	86.5	88.5	89.5	0.50	0.62	0.70	4.41
		215T	18.0	K	7.1	2.1	2.6	1.79	32	70	201	52.0	1.15	865	84.0	85.5	85.5	0.54	0.66	0.74	4.36
5	3.7	184T	7.42	J	7.5	2.5	3.8	0.1889	26	57	106	69.0	1.15	3490	85.5	87.5	88.5	0.70	0.81	0.86	6.10
		184T	14.8	K	8.2	2.7	3.3	0.3695	17	37	130	56.0	1.15	1755	86.5	88.5	89.5	0.59	0.71	0.79	6.57
		215T	22.1	J	6.8	1.7	2.6	1.47	57	125	162	55.0	1.15	1170	88.5	89.5	89.5	0.58	0.70	0.76	6.83
		254T	29.4	H	5.3	2.1	2.7	3.41	21	46	313	54.0	1.15	880	84.0	86.5	87.5	0.46	0.58	0.67	7.93
7.5	5.5	213T	11.1	H	7.0	2.2	3.0	0.4696	23	51	190	72.0	1.15	3510	85.5	88.5	89.5	0.81	0.87	0.90	8.57
		213T	22.0	H	6.7	2.4	2.8	1.38	12	26	152	58.0	1.15	1765	88.5	90.2	91.7	0.60	0.73	0.80	9.41
		254T	33.1	J	7.0	2.7	3.2	3.32	25	55	309	59.0	1.15	1175	88.5	90.2	91.0	0.58	0.71	0.78	9.73
		256T	44.2	H	5.3	2.1	2.8	4.15	23	51	353	54.0	1.15	880	86.5	87.5	87.5	0.48	0.60	0.68	11.6
10	7.5	215T	14.8	H	6.9	2.1	2.8	0.5512	150	330	201	72.0	1.15	3510	89.5	90.2	90.2	0.81	0.88	0.90	11.6
		215T	29.4	J	7.5	2.5	3.0	1.34	15	33	207	58.0	1.15	1765	90.2	91.0	91.7	0.62	0.75	0.81	12.7
		256T	44.1	J	7.2	2.7	3.1	4.15	26	57	364	59.0	1.15	1175	89.5	90.2	91.0	0.60	0.70	0.78	13.3
		284T	58.9	H	6.0	2.5	2.4	7.20	30	66	467	54.0	1.15	880	91.0	91.7	91.0	0.62	0.73	0.78	13.3
15	11	254T	22.0	G	6.8	2.0	2.7	1.19	31	68	318	75.0	1.15	3540	90.0	90.5	91.0	0.74	0.83	0.87	17.4
		254T	43.9	J	7.3	3.0	3.0	2.31	26	57	329	69.0	1.15	1770	90.2	91.7	92.4	0.65	0.75	0.81	18.4
		284T	65.9	H	7.2	2.5	2.6	7.07	25	55	463	59.0	1.15	1180	91.0	91.7	91.7	0.74	0.83	0.86	17.5
		286T	88.3	G	6.1	2.4	2.3	8.18	37	81	507	54.0	1.15	880	91.0	91.7	91.0	0.66	0.76	0.80	19.0
20	15	256T	29.4	G	6.2	2.0	2.5	1.45	26	57	357	75.0	1.15	3530	90.2	91.0	91.0	0.79	0.86	0.89	23.2
		256T	58.5	J	7.5	3.0	3.0	2.89	20	44	364	69.0	1.15	1770	91.7	92.4	93.0	0.63	0.75	0.81	25.0
		286T	87.8	H	7.2	2.5	2.7	8.02	22	48	501	59.0	1.15	1180	91.7	91.7	91.7	0.70	0.80	0.85	24.2
		324T	118	G	5.3	2.3	2.3	9.37	25	55	606	56.0	1.15	880	91.7	92.4	92.4	0.56	0.67	0.74	27.5
25	18.5	284TS	36.4	K	9.0	2.2	2.8	2.58	58	128	452	75.0	1.15	3555	91.7	92.4	92.4	0.78	0.85	0.88	28.6
		284T	73.0	J	8.2	3.0	3.0	4.54	20	44	472	68.0	1.15	1775	92.4	93.6	93.6	0.67	0.78	0.83	29.9
		324T	110	G	6.4	2.3	2.6	10.8	25	55	639	62.0	1.15	1180	92.4	93.0	93.0	0.65	0.76	0.82	30.4
		326T	147	G	5.1	2.4	2.4	11.9	20	44	673	56.0	1.15	880	91.0	92.4	92.4	0.51	0.63	0.71	35.4

continued on next page



## Explosion Proof - Three Phase - *continued*

Output		Frame	Full Load Torque (ft.lb)	Locked Rotor Current		Locked Rotor Torque Tl/Tn	Break-down Torque Tb/Tn	Inertia J (lb-ft <sup>2</sup> )	Allowable locked rotor time (s)		Weight (lb)	Sound dB(A)	Service Factor	460 V							Full load current In (A)	
				Code	II/In				Hot	Cold				Rated speed (rpm)	% of full load			Efficiency	Power Factor			
															50	75	100		50	75		100
				HP	kW																	
30	22	286TS	43.8	H	7.7	2.6	3.0	3.08	14	31	529	75.0	1.15	3545	92.4	93.0	93.0	0.78	0.86	0.88	33.7	
		286T	87.8	J	8.2	3.0	3.0	5.16	17	37	512	68.0	1.15	1770	93.0	93.6	93.6	0.66	0.77	0.82	36.0	
		326T	132	H	7.1	2.4	2.7	12.5	25	55	695	62.0	1.15	1180	92.4	93.0	93.0	0.63	0.75	0.81	36.7	
		364/5T	176	G	5.7	2.2	2.2	23.5	14	31	911	62.0	1.15	885	92.4	93.0	93.0	0.64	0.73	0.77	38.5	
40	30	324TS	58.3	G	6.6	2.7	2.7	4.90	43	95	516	81.0	1.15	3555	92.4	93.6	93.6	0.80	0.86	0.88	45.8	
		324T	116	J	7.7	2.7	3.0	8.17	19	42	650	71.0	1.15	1780	93.0	94.1	94.1	0.66	0.77	0.83	48.2	
		364/5T	175	H	7.0	2.3	2.3	29.0	24	53	1010	65.0	1.15	1185	93.6	94.1	94.1	0.72	0.80	0.85	47.1	
		364/5T	234	F	5.2	2.2	2.2	29.0	25	55	1058	62.0	1.15	885	93.0	93.6	93.6	0.64	0.73	0.77	52.2	
50	37	326TS	73.0	H	7.2	2.1	2.1	5.42	33	73	728	81.0	1.15	3550	92.4	93.6	94.1	0.82	0.88	0.89	55.5	
		326T	146	H	7.3	2.6	2.8	9.16	20	44	706	71.0	1.15	1780	93.6	94.5	94.5	0.65	0.76	0.81	60.6	
		364/5T	219	H	7.4	2.6	2.8	29.4	20	44	1036	65.0	1.15	1185	93.6	94.1	94.1	0.71	0.81	0.85	58.1	
		404/5T	293	J	7.3	2.2	2.1	34.6	12	26	1257	62.0	1.15	885	92.4	93.0	93.6	0.67	0.73	0.73	68.0	
60	45	364/5TS	87.3	G	6.4	2.0	2.5	9.96	60	132	1017	85.0	1.15	3560	92.4	93.6	94.1	0.79	0.86	0.88	68.2	
		364/5T	175	H	7.0	2.5	2.5	20.8	20	44	1014	75.0	1.15	1780	94.1	94.5	95.0	0.72	0.82	0.87	68.3	
		404/5T	262	H	6.9	2.5	2.7	36.9	29	64	1213	65.0	1.15	1185	93.6	94.5	94.5	0.73	0.82	0.85	70.3	
		404/5T	351	G	6.2	1.8	2.2	38.3	25	55	1279	62.0	1.15	885	92.4	93.0	93.0	0.65	0.75	0.80	75.9	
75	55	364/5TS	109	G	7.0	2.3	2.6	9.96	18	40	1025	85.0	1.15	3560	93.0	94.1	94.1	0.81	0.87	0.89	82.4	
		364/5T	218	G	7.0	2.4	2.9	23.3	16	35	937	75.0	1.15	1780	94.5	95.0	95.4	0.74	0.83	0.87	83.2	
		404/5T	329	J	7.7	2.5	2.6	40.2	15	33	1257	65.0	1.15	1180	94.1	95.0	94.5	0.72	0.81	0.84	87.0	
		444/5T	437	G	6.1	1.7	2.1	73.6	18	40	1912	64.0	1.15	890	93.6	94.1	93.6	0.66	0.76	0.80	92.2	
100	75	404/5TS	146	G	6.5	2.0	2.6	13.2	21	46	1206	85.0	1.15	3550	93.6	95.0	95.0	0.85	0.89	0.90	110	
		404/5T	291	H	7.2	2.7	3.0	26.4	13	29	1222	75.0	1.15	1780	94.5	95.0	95.4	0.72	0.82	0.87	113	
		444/5T	435	H	6.8	2.3	2.6	87.3	49	108	1896	70.0	1.15	1190	94.1	95.0	95.0	0.66	0.76	0.82	121	
		444/5T	582	G	6.1	1.7	2.0	87.3	16	35	2053	64.0	1.15	890	94.1	94.5	94.1	0.68	0.77	0.80	125	
125	90	444/5TS	181	F	6.6	2.0	2.5	31.2	22	48	1940	86.0	1.15	3570	93.0	94.5	95.0	0.83	0.89	0.90	132	
		444/5T	363	G	6.4	2.0	2.2	57.2	18	40	2026	76.0	1.15	1785	95.0	95.4	95.4	0.76	0.83	0.86	142	
		444/5T	547	H	7.4	2.3	2.4	104	41	90	2293	70.0	1.15	1185	94.5	95.0	95.0	0.67	0.76	0.82	150	
		447T	728	G	6.1	1.7	2.0	104	18	40	2337	66.0	1.15	890	94.5	95.0	94.5	0.66	0.76	0.80	154	
		504/5T	728	G	6.1	1.7	2.0	104	18	40	2337	66.0	1.15	890	94.5	95.0	94.5	0.66	0.76	0.80	154	
150	110	444/5TS	218	G	7.0	2.0	2.5	39.1	31	68	1985	86.0	1.15	3570	93.6	95.0	95.4	0.85	0.89	0.90	161	
		444/5T	437	G	6.3	2.2	2.5	66.7	22	48	2095	76.0	1.15	1780	95.0	95.8	95.8	0.72	0.81	0.85	170	
		447T	656	H	7.5	2.6	2.6	134	42	92	2540	73.0	1.15	1185	95.0	95.8	95.8	0.68	0.78	0.83	174	
		504/5T	656	H	7.5	2.6	2.6	134	42	92	2540	73.0	1.15	1185	95.0	95.8	95.8	0.68	0.78	0.83	174	
		447T	873	G	6.0	1.7	2.0	125	18	40	2646	66.0	1.15	890	94.5	95.0	94.5	0.68	0.77	0.82	179	
		504/5T	873	G	6.0	1.7	2.0	125	18	40	2646	66.0	1.15	890	94.5	95.0	94.5	0.68	0.77	0.82	179	

*continued on next page*

## Explosion Proof - Three Phase - *continued*

Output		Frame	Full Load Torque (ft.lb)	Locked Rotor Current		Locked Rotor Torque Tl/Tn	Break-down Torque Tb/Tn	Inertia J (lb-ft <sup>2</sup> )	Allowable locked rotor time (s)		Weight (lb)	Sound dB(A)	Service Factor	460 V								
														Rated speed (rpm)	% of full load						Full load current In (A)	
															Efficiency			Power Factor				
HP	kW			Code	II/In				Hot	Cold				50	75	100	50	75	100			
200	150	447TS	290	H	7.3	2.2	2.6	44.7	37	81	2492	87.0	1.15	3570	94.1	95.4	95.8	0.84	0.88	0.89	221	
		504/5TS	290	H	7.3	2.2	2.6	44.7	37	81	2492	88.0	1.15	3570	94.1	95.4	95.8	0.84	0.88	0.89	221	
		447T	582	H	7.0	2.3	2.4	76.2	25	55	2426	82.0	1.15	1780	95.8	96.2	96.2	0.70	0.80	0.85	230	
		504/5T	582	H	7.0	2.3	2.4	76.2	25	55	2426	82.0	1.15	1780	95.8	96.2	96.2	0.70	0.80	0.85	230	
		447T	871	J	7.8	2.7	2.8	134	14	31	2615	73.0	1.15	1190	94.5	95.4	95.8	0.60	0.73	0.79	249	
		504/5T	871	J	7.8	2.7	2.8	134	14	31	2615	73.0	1.15	1190	94.5	95.4	95.8	0.60	0.73	0.79	249	
		449T	1164	K	7.5	2.8	3.0	161	13	29	3581	66.0	1.15	890	92.4	94.5	95.0	0.52	0.63	0.70	283	
		586/7T	1164	G	5.7	1.2	2.1	350	65	143	4167	75.0	1.15	890	94.1	94.5	95.0	0.60	0.71	0.76	261	
250	185	447TS	363	H	8.0	2.4	2.8	50.3	18	40	2492	87.0	1.15	3570	95.0	95.4	95.8	0.83	0.89	0.90	269	
		504/5TS	363	H	8.0	2.4	2.8	50.3	18	40	2492	88.0	1.15	3570	95.0	95.4	95.8	0.83	0.89	0.90	269	
		447T	728	H	7.0	2.1	2.3	89.6	30	66	2646	82.0	1.15	1780	95.4	96.2	96.2	0.72	0.81	0.85	284	
		504/5T	728	H	7.0	2.1	2.3	89.6	30	66	2646	77.0	1.15	1780	95.4	96.2	96.2	0.72	0.81	0.85	284	
		586/7T	1088	G	6.0	1.8	2.1	226	33	73	3859	77.0	1.15	1190	93.6	95.4	95.8	0.67	0.75	0.80	303	
		449T	1088	J	8.1	2.8	3.0	145	10	22	3188	70.0	1.15	1190	95.0	95.4	95.8	0.64	0.76	0.81	299	
		586/7T	1455	G	5.8	1.0	2.1	395	26	57	4410	75.0	1.15	890	94.1	94.5	95.4	0.60	0.71	0.77	316	
300	220	586/7TS	434	G	6.6	1.3	2.2	123	34	75	4410	85.0	1.15	3580	94.5	95.4	95.8	0.86	0.87	0.88	328	
		449TS	435	J	8.4	2.8	3.4	58.1	15	33	3308	84.0	1.15	3575	94.5	95.4	95.8	0.82	0.88	0.90	320	
		586/7T	868	G	6.8	1.8	2.1	161	50	110	4079	83.0	1.15	1790	95.0	95.8	96.2	0.78	0.84	0.85	338	
		449T	871	H	8.0	2.8	2.9	89.6	14	31	3087	80.0	1.15	1785	95.4	95.8	96.2	0.74	0.83	0.86	334	
		586/7T	1306	G	6.1	1.8	2.1	277	35	77	4190	77.0	1.15	1190	93.6	95.4	95.8	0.68	0.75	0.82	351	
		449T	1306	J	7.9	2.8	3.0	145	7	15	3197	70.0	1.15	1190	95.0	95.4	95.8	0.66	0.77	0.82	351	
		586/7T	1737	G	6.2	1.4	2.1	462	24	53	4818	75.0	1.15	895	95.0	95.0	95.4	0.60	0.72	0.77	376	
350	260	586/7TS	507	G	6.6	1.3	2.2	136	35	77	4410	85.0	1.15	3580	94.5	95.4	95.8	0.86	0.87	0.88	388	
		449TS	507	J	8.7	2.8	3.4	68.1	14	31	3638	84.0	1.15	3575	95.0	95.8	95.8	0.82	0.88	0.90	379	
		586/7T	1013	H	7.3	2.3	2.3	179	32	70	4234	83.0	1.15	1790	95.0	95.8	96.2	0.77	0.84	0.86	395	
		449T	1016	J	8.2	2.8	2.9	118	14	31	3418	80.0	1.15	1785	95.4	95.8	96.2	0.70	0.80	0.84	404	
		586/7T	1524	G	6.3	2.1	2.1	328	29	64	4520	77.0	1.15	1190	95.4	95.8	95.8	0.67	0.77	0.81	421	
		586/7T*	2037	G	5.9	1.1	2.0	484	25	55	4895	75.0	1.00	890	94.1	94.5	95.4	0.60	0.64	0.78	439	
400	300	586/7T	1158	G	6.4	1.8	2.0	179	18	40	4366	83.0	1.15	1790	95.4	96.2	96.2	0.80	0.84	0.85	460	
		586/7T	1741	G	6.0	2.0	2.0	368	71	156	4983	77.0	1.15	1190	93.6	95.0	95.8	0.70	0.78	0.82	479	
450	330	586/7T*	1302	G	6.5	1.8	2.0	213	24	53	4586	83.0	1.15	1790	95.8	96.2	96.2	0.81	0.85	0.86	501	
		586/7T*	1959	G	6.0	1.5	2.1	368	34	75	5005	77.0	1.00	1190	93.6	95.0	95.8	0.69	0.77	0.80	540	
500	370	586/7T	1447	G	6.3	2.1	2.3	256	25	55	4829	83.0	1.00	1790	95.8	96.2	96.2	0.81	0.84	0.85	568	

## Fractional - Three Phase - TEFC - NEMA Premium®

Output		Frame	Full Load Torque (ft.lb)	Locked Rotor Current		Locked Rotor Torque Tl/Tn	Break-down Torque T <sub>b</sub> /T <sub>n</sub>	Inertia J (lb-ft <sup>2</sup> )	Allowable locked rotor time (s)		Weight (lb)	Sound dB(A)	Service Factor	460 V								
				Code	ll/ln				Hot	Cold				Rated speed (rpm)	% of full load						Full load current In (A)	
															Efficiency			Power Factor				
															50	75	100	50	75	100		
0.25	0.18	W56	0.370	M	7.4	3.5	4.0	0.0147	30	66	15.0	65.0	1.15	3460	55.0	62.0	66.0	0.60	0.70	0.75	0.456	
		48	0.370	M	7.4	3.5	4.0	0.0147	30	66	15.0	65.0	1.15	3460	55.0	62.0	66.0	0.60	0.70	0.75	0.456	
		W56	0.740	K	5.6	2.4	3.2	0.0280	28	62	14.6	50.0	1.15	1740	59.5	66.0	70.0	0.48	0.60	0.69	0.468	
		48	0.740	K	5.6	2.4	3.2	0.0280	28	62	14.6	50.0	1.15	1740	59.5	66.0	70.0	0.48	0.60	0.69	0.468	
		56	1.12	J	4.7	1.9	3.0	0.0710	40	88	25.6	50.0	1.15	1160	62.0	68.0	72.0	0.42	0.53	0.62	0.506	
0.33	0.25	W56	0.500	L	7.1	3.2	3.7	0.0147	28	62	15.0	65.0	1.15	3450	59.5	66.0	72.0	0.61	0.71	0.76	0.573	
		48	0.500	L	7.1	3.2	3.7	0.0147	28	62	15.0	65.0	1.15	3450	59.5	66.0	72.0	0.61	0.71	0.76	0.573	
		W56	0.980	L	6.2	2.6	3.5	0.0358	22	48	16.5	50.0	1.15	1740	66.0	72.0	74.0	0.46	0.58	0.68	0.624	
		48	0.980	L	6.2	2.6	3.5	0.0358	22	48	16.5	50.0	1.15	1740	66.0	72.0	74.0	0.46	0.58	0.68	0.624	
		56	1.47	L	5.3	2.2	3.3	0.0888	30	66	28.2	50.0	1.15	1160	64.0	70.0	72.0	0.41	0.52	0.61	0.714	
0.5	0.37	W56	0.750	L	7.7	3.3	3.6	0.0190	18	40	17.4	65.0	1.15	3435	68.0	72.0	74.0	0.64	0.75	0.80	0.784	
		48	0.750	L	7.7	3.3	3.6	0.0190	18	40	17.4	65.0	1.15	3435	68.0	72.0	74.0	0.64	0.75	0.80	0.784	
		W56	1.50	J	6.4	2.3	3.1	0.0520	20	44	20.9	50.0	1.15	1730	74.0	77.0	78.5	0.54	0.67	0.76	0.778	
		48	1.50	J	6.4	2.3	3.1	0.0520	20	44	20.9	50.0	1.15	1730	74.0	77.0	78.5	0.54	0.67	0.76	0.778	
		56	2.23	K	5.6	2.4	3.3	0.1065	26	57	30.9	50.0	1.15	1160	68.0	74.0	75.5	0.41	0.53	0.63	0.976	
0.75	0.55	W56	1.13	L	8.1	3.5	3.6	0.0211	16	35	18.3	65.0	1.15	3440	70.0	75.5	77.0	0.62	0.74	0.80	1.12	
		48	1.13	L	8.1	3.5	3.6	0.0211	16	35	18.3	65.0	1.15	3440	70.0	75.5	77.0	0.62	0.74	0.80	1.12	
		56	2.21	L	7.7	2.4	3.6	0.0842	16	35	30.2	52.0	1.15	1760	75.5	80.0	81.5	0.49	0.62	0.71	1.19	
		56H	3.35	K	6.5	2.9	3.7	0.1419	40	88	36.2	50.0	1.15	1160	77.0	81.5	82.5	0.43	0.55	0.65	1.29	
		56	1.48	K	7.8	2.0	3.0	0.0643	22	48	26.2	68.0	1.15	3510	72.0	77.0	78.5	0.65	0.76	0.83	1.44	
1	0.75	W56	1.51	M	8.8	3.6	3.8	0.0254	10	22	20.5	65.0	1.15	3435	74.0	77.0	78.5	0.63	0.75	0.80	1.50	
		48	1.51	M	8.8	3.6	3.8	0.0254	10	22	20.5	65.0	1.15	3435	74.0	77.0	78.5	0.63	0.75	0.80	1.50	
		56	2.94	M	8.6	2.8	3.0	0.1232	19	42	37.9	52.0	1.15	1765	82.5	84.0	85.5	0.52	0.66	0.75	1.47	
		56H	4.52	J	5.8	2.3	2.8	0.1597	31	68	38.6	50.0	1.15	1145	80.0	82.5	82.5	0.50	0.63	0.72	1.58	
		56	2.21	L	9.1	2.3	3.0	0.1023	17	37	34.2	68.0	1.15	3520	80.0	82.5	84.0	0.71	0.82	0.88	1.87	
1.5	1.1	56H	4.44	K	8.2	2.7	3.0	0.1101	21	46	37.9	52.0	1.15	1750	85.5	86.5	86.5	0.59	0.72	0.79	2.02	
		56H	2.94	L	9.9	2.5	3.0	0.1279	13	29	40.1	68.0	1.15	3520	82.5	85.5	85.5	0.73	0.83	0.89	2.47	
2	1.5	56H	5.94	K	8.2	2.7	3.0	0.1296	15	33	42.3	52.0	1.15	1745	85.5	87.5	86.5	0.60	0.73	0.80	2.72	
		56H	4.44	K	9.5	3.0	3.8	0.1663	10	22	48.1	68.0	1.15	3500	84.0	86.5	86.5	0.78	0.87	0.91	3.51	

## Fractional - Three Phase - TEFC - Standard Efficiency

Output		Frame	Full Load Torque (ft.lb)	Locked Rotor Current		Locked Rotor Torque Tl/Tn	Break-down Torque Tl/Tn	Inertia J (lb-ft <sup>2</sup> )	Allowable locked rotor time (s)		Weight (lb)	Sound dB(A)	Service Factor	460 V							
				Code	I/In				Hot	Cold				Rated speed (rpm)	% of full load			Full load current In (A)			
															Efficiency				Power Factor		
HP	kW													50	75	100	50	75	100		
0.16	0.12	W56	0.480	L	5.1	2.4	2.9	0.0240	43	95	13.5	50.0	1.15	1735	50.5	59.5	62.0	0.48	0.58	0.67	0.363
		48	0.480	L	5.1	2.4	2.9	0.0240	43	95	13.5	50.0	1.15	1735	50.5	59.5	62.0	0.48	0.58	0.67	0.363
		W56	0.730	J	3.9	1.9	2.5	0.0280	43	95	14.3	48.0	1.15	1135	46.0	55.0	59.5	0.45	0.56	0.65	0.389
		48	0.730	J	3.9	1.9	2.5	0.0280	43	95	14.3	48.0	1.15	1135	46.0	55.0	59.5	0.45	0.56	0.65	0.389
0.25	0.18	56	0.370	L	6.4	2.5	3.0	0.0389	60	132	17.2	68.0	1.15	3475	46.0	52.5	57.5	0.75	0.82	0.86	0.457
		W56	0.380	L	6.0	2.8	3.0	0.0126	34	75	13.5	65.0	1.15	3430	48.0	57.5	59.5	0.62	0.71	0.78	0.487
		48	0.380	L	6.0	2.8	3.0	0.0126	34	75	13.5	65.0	1.15	3430	48.0	57.5	59.5	0.62	0.71	0.78	0.487
		56	0.730	M	6.3	2.4	3.0	0.0453	38	84	18.1	52.0	1.15	1765	57.5	66.0	70.0	0.43	0.54	0.62	0.521
		W56	0.750	K	5.3	2.4	2.9	0.0280	30	66	14.3	50.0	1.15	1735	55.0	62.0	66.0	0.48	0.59	0.68	0.503
		48	0.750	K	5.3	2.4	2.9	0.0280	30	66	14.3	50.0	1.15	1735	55.0	62.0	66.0	0.48	0.59	0.68	0.503
		56	1.12	K	5.1	2.3	3.0	0.0710	46	101	19.0	50.0	1.15	1160	55.0	64.0	68.0	0.41	0.52	0.61	0.545
		W56	1.14	J	4.2	2.0	2.5	0.0358	26	57	16.1	48.0	1.15	1135	50.5	59.5	62.0	0.45	0.56	0.65	0.561
48	1.14	J	4.2	2.0	2.5	0.0358	26	57	16.1	48.0	1.15	1135	50.5	59.5	62.0	0.45	0.56	0.65	0.561		
0.33	0.25	56	0.490	L	6.4	2.5	3.0	0.0389	40	88	17.2	68.0	1.15	3485	48.0	57.5	62.0	0.72	0.79	0.84	0.602
		W56	0.500	L	6.1	2.9	3.0	0.0126	28	62	13.5	65.0	1.15	3425	52.5	59.5	62.0	0.60	0.70	0.77	0.657
		48	0.500	L	6.1	2.9	3.0	0.0126	28	62	13.5	65.0	1.15	3425	52.5	59.5	62.0	0.60	0.70	0.77	0.657
		56	0.970	M	7.1	2.3	3.0	0.0517	31	68	19.4	52.0	1.15	1765	64.0	72.0	74.0	0.47	0.58	0.68	0.624
		W56	0.990	K	5.4	2.3	2.7	0.0318	21	46	15.2	50.0	1.15	1730	57.5	64.0	68.0	0.48	0.60	0.70	0.659
		48	0.990	K	5.4	2.3	2.7	0.0318	21	46	15.2	50.0	1.15	1730	57.5	64.0	68.0	0.48	0.60	0.70	0.659
		56	1.47	L	5.5	2.4	3.0	0.0888	36	79	21.8	50.0	1.15	1160	59.5	68.0	70.0	0.42	0.53	0.62	0.723
		W56	1.51	H	4.1	1.8	2.3	0.0439	22	48	17.9	48.0	1.15	1130	55.0	62.0	64.0	0.48	0.59	0.69	0.711
48	1.51	H	4.1	1.8	2.3	0.0439	22	48	17.9	48.0	1.15	1130	55.0	62.0	64.0	0.48	0.59	0.69	0.711		
0.5	0.37	56	0.740	L	7.0	2.6	3.0	0.0453	35	77	19.0	68.0	1.15	3500	55.0	62.0	68.0	0.67	0.75	0.81	0.843
		W56	0.760	K	6.3	2.9	2.9	0.0147	20	44	14.3	65.0	1.15	3400	59.5	66.0	68.0	0.61	0.73	0.80	0.854
		48	0.760	K	6.3	2.9	2.9	0.0147	20	44	14.3	65.0	1.15	3400	59.5	66.0	68.0	0.61	0.73	0.80	0.854
		56	1.47	L	7.0	2.4	3.0	0.0584	20	44	20.9	52.0	1.15	1760	68.0	74.0	77.0	0.48	0.61	0.70	0.862
		W56	1.50	K	6.0	2.6	2.8	0.0399	16	35	17.0	50.0	1.15	1730	62.0	70.0	72.0	0.49	0.62	0.72	0.896
		48	1.50	K	6.0	2.6	2.8	0.0399	16	35	17.0	50.0	1.15	1730	62.0	70.0	72.0	0.49	0.62	0.72	0.896
		56	2.23	K	5.4	2.1	3.0	0.1065	22	48	24.7	50.0	1.15	1160	64.0	70.0	72.0	0.44	0.56	0.65	0.992
		W56	2.29	H	4.4	2.0	2.4	0.0558	17	37	20.7	48.0	1.15	1130	59.5	66.0	68.0	0.47	0.59	0.69	0.990
48	2.29	H	4.4	2.0	2.4	0.0558	17	37	20.7	48.0	1.15	1130	59.5	66.0	68.0	0.47	0.59	0.69	0.990		
0.75	0.55	56	1.12	K	7.0	2.5	2.9	0.0517	23	51	20.3	68.0	1.15	3475	62.0	68.0	72.0	0.70	0.79	0.85	1.13
		W56	1.14	K	6.9	3.0	3.0	0.0169	14	31	15.2	65.0	1.15	3400	66.0	70.0	72.0	0.64	0.76	0.83	1.16
		48	1.14	K	6.9	3.0	3.0	0.0169	14	31	15.2	65.0	1.15	3400	66.0	70.0	72.0	0.64	0.76	0.83	1.16
		56	2.21	K	6.9	2.4	3.0	0.0648	17	37	22.5	52.0	1.15	1755	72.0	77.0	78.5	0.48	0.61	0.72	1.22
		W56	2.25	K	6.5	2.7	2.9	0.0479	12	26	18.7	50.0	1.15	1730	68.0	74.0	75.5	0.52	0.65	0.75	1.22
		48	2.25	K	6.5	2.7	2.9	0.0479	12	26	18.7	50.0	1.15	1730	68.0	74.0	75.5	0.52	0.65	0.75	1.22
		56H	3.36	K	5.8	2.3	3.0	0.1331	21	46	29.5	50.0	1.15	1155	70.0	74.0	75.5	0.46	0.59	0.68	1.34
		56	3.36	K	5.8	2.3	3.0	0.1331	21	46	29.5	50.0	1.15	1155	70.0	74.0	75.5	0.46	0.59	0.68	1.34

## Fractional - Three Phase - ODP - Premium Efficiency

Output		Frame	Full Load Torque (ft.lbf)	Locked Rotor Current		Locked Rotor Torque Tl/Tn	Break-down Torque T <sub>b</sub> /Tn	Inertia J (lb-ft <sup>2</sup> )	Allowable locked rotor time (s)		Weight (lb)	Sound dB(A)	Service Factor	460 V								
				Code	ll/ln				Hot	Cold				Rated speed (rpm)	% of full load						Full load current In (A)	
															Efficiency			Power Factor				
															50	75	100	50	75	100		
0.25	0.18	W56	0.370	K	5.8	2.5	3.0	0.0126	29	64	12.6	62.0	1.35	3460	55.0	64.0	66.0	0.53	0.65	0.74	0.463	
		48	0.370	K	5.8	2.5	3.0	0.0126	29	64	12.6	62.0	1.35	3460	55.0	64.0	66.0	0.53	0.65	0.74	0.463	
		56	0.730	M	5.9	2.3	3.3	0.0389	38	84	15.7	52.0	1.35	1765	57.5	64.0	69.5	0.41	0.52	0.61	0.533	
		W56	0.740	K	5.7	2.5	3.4	0.0280	34	75	13.7	50.0	1.35	1740	59.5	68.0	70.0	0.46	0.58	0.67	0.482	
		48	0.740	K	5.7	2.5	3.4	0.0280	34	75	13.7	50.0	1.35	1740	59.5	68.0	70.0	0.46	0.58	0.67	0.482	
		56	1.12	K	4.8	2.1	2.8	0.0622	40	88	17.0	50.0	1.35	1160	55.0	64.0	67.5	0.41	0.52	0.61	0.549	
0.33	0.25	W56	0.500	K	5.9	2.7	3.0	0.0126	25	55	12.8	62.0	1.35	3450	59.5	68.0	70.0	0.53	0.66	0.75	0.598	
		48	0.500	K	5.9	2.7	3.0	0.0126	25	55	12.8	62.0	1.35	3450	59.5	68.0	70.0	0.53	0.66	0.75	0.598	
		W56	0.980	L	6.4	2.7	3.6	0.0358	26	57	14.8	50.0	1.35	1740	64.0	72.0	74.0	0.47	0.59	0.69	0.615	
		48	0.980	L	6.4	2.7	3.6	0.0358	26	57	14.8	50.0	1.35	1740	64.0	72.0	74.0	0.47	0.59	0.69	0.615	
		56	1.47	K	5.0	2.1	2.8	0.0710	35	77	18.3	50.0	1.35	1160	59.5	66.0	71.4	0.42	0.53	0.63	0.698	
0.5	0.37	W56	0.750	K	6.5	3.2	3.5	0.0126	27	59	13.0	62.0	1.25	3440	68.0	74.0	74.0	0.54	0.67	0.76	0.826	
		48	0.750	K	6.5	3.2	3.5	0.0126	27	59	13.0	62.0	1.25	3440	68.0	74.0	74.0	0.54	0.67	0.76	0.826	
		W56	1.49	K	6.4	2.5	3.2	0.0439	23	51	17.6	50.0	1.25	1735	70.0	75.5	78.5	0.53	0.66	0.75	0.789	
		48	1.49	K	6.4	2.5	3.2	0.0439	23	51	17.6	50.0	1.25	1735	70.0	75.5	78.5	0.53	0.66	0.75	0.789	
		56	2.24	J	5.1	2.0	2.6	0.0888	28	62	21.2	50.0	1.25	1155	68.0	74.0	75.3	0.43	0.56	0.66	0.934	
0.75	0.55	W56	1.13	J	6.9	3.0	3.3	0.0169	15	33	15.0	62.0	1.25	3430	72.0	75.5	77.0	0.60	0.73	0.82	1.09	
		48	1.13	J	6.9	3.0	3.3	0.0169	15	33	15.0	62.0	1.25	3430	72.0	75.5	77.0	0.60	0.73	0.82	1.09	
		56	2.21	K	7.3	2.5	3.0	0.0712	21	46	23.4	52.0	1.25	1760	74.0	78.5	81.1	0.52	0.65	0.74	1.15	
		56H	3.35	J	5.9	2.2	2.8	0.1685	33	73	34.4	50.0	1.15	1160	75.5	80.0	81.7	0.45	0.58	0.67	1.26	
1	0.75	W56	1.51	K	7.0	3.1	3.3	0.0190	13	29	16.1	62.0	1.25	3420	74.0	75.5	77.0	0.61	0.74	0.83	1.47	
		48	1.51	K	7.0	3.1	3.3	0.0190	13	29	16.1	62.0	1.25	3420	74.0	75.5	77.0	0.61	0.74	0.83	1.47	
		56	2.94	L	7.6	2.8	3.2	0.0842	17	37	26.2	52.0	1.15	1760	78.5	82.5	83.5	0.49	0.63	0.72	1.57	
		56H	4.47	K	6.2	2.4	3.0	0.1951	26	57	38.8	50.0	1.15	1160	77.0	81.5	82.5	0.45	0.58	0.68	1.68	
1.5	1.1	W56	2.27	K	8.0	3.3	3.6	0.0294	12	26	20.9	62.0	1.15	3420	82.5	84.0	84.0	0.65	0.78	0.85	1.93	
		48	2.27	K	8.0	3.3	3.6	0.0294	12	26	20.9	62.0	1.15	3420	82.5	84.0	84.0	0.65	0.78	0.85	1.93	
		56H	4.42	L	8.8	2.9	3.5	0.1296	14	31	36.8	52.0	1.15	1760	84.0	85.5	86.5	0.53	0.66	0.76	2.10	
2	1.5	56H	2.95	K	8.9	2.2	3.3	0.1151	14	31	37.0	62.0	1.15	3510	84.0	85.5	85.5	0.77	0.86	0.91	2.42	
		56H	5.96	K	7.7	2.6	3.2	0.1168	17	37	35.5	52.0	1.15	1740	85.5	86.5	86.5	0.61	0.74	0.81	2.69	
3	2.2	56H	4.47	J	8.0	2.3	3.0	0.1279	9	20	43.7	62.0	1.15	3480	84.0	85.5	85.5	0.76	0.86	0.90	3.59	
		56H	8.96	K	7.6	2.7	3.0	0.1419	12	26	43.0	52.0	1.15	1735	86.5	86.5	86.9	0.59	0.72	0.80	3.97	

## Fractional - Three Phase - ODP - Standard Efficiency

Output		Frame	Full Load Torque (ft.lb)	Locked Rotor Current		Locked Rotor Torque Tl/Tn	Break-down Torque T <sub>b</sub> /T <sub>n</sub>	Inertia J (lb-ft <sup>2</sup> )	Allowable locked rotor time (s)		Weight (lb)	Sound dB(A)	Service Factor	460 V							
				Code	I/In				Hot	Cold				Rated speed (rpm)	% of full load			Full load current In (A)			
															Efficiency				Power Factor		
HP	kW													50	75	100	50	75	100		
0.16	0.12	W56	0.480	L	5.1	2.4	2.9	0.0240	43	95	13.5	50.0	1.15	1735	50.5	59.5	62.0	0.48	0.58	0.67	0.363
		48	0.480	L	5.1	2.4	2.9	0.0240	43	95	13.5	50.0	1.15	1735	50.5	59.5	62.0	0.48	0.58	0.67	0.363
		W56	0.730	J	3.9	1.9	2.5	0.0280	43	95	14.3	48.0	1.15	1135	46.0	55.0	59.5	0.45	0.56	0.65	0.389
		48	0.730	J	3.9	1.9	2.5	0.0280	43	95	14.3	48.0	1.15	1135	46.0	55.0	59.5	0.45	0.56	0.65	0.389
0.25	0.18	56	0.370	L	6.4	2.5	3.0	0.0389	60	132	17.2	68.0	1.15	3475	46.0	52.5	57.5	0.75	0.82	0.86	0.457
		W56	0.380	L	6.0	2.8	3.0	0.0126	34	75	13.5	65.0	1.15	3430	48.0	57.5	59.5	0.62	0.71	0.78	0.487
		48	0.380	L	6.0	2.8	3.0	0.0126	34	75	13.5	65.0	1.15	3430	48.0	57.5	59.5	0.62	0.71	0.78	0.487
		56	0.730	M	6.3	2.4	3.0	0.0453	38	84	18.1	52.0	1.15	1765	57.5	66.0	70.0	0.43	0.54	0.62	0.521
		W56	0.750	K	5.3	2.4	2.9	0.0280	30	66	14.3	50.0	1.15	1735	55.0	62.0	66.0	0.48	0.59	0.68	0.503
		48	0.750	K	5.3	2.4	2.9	0.0280	30	66	14.3	50.0	1.15	1735	55.0	62.0	66.0	0.48	0.59	0.68	0.503
		56	1.12	K	5.1	2.3	3.0	0.0710	46	101	19.0	50.0	1.15	1160	55.0	64.0	68.0	0.41	0.52	0.61	0.545
		W56	1.14	J	4.2	2.0	2.5	0.0358	26	57	16.1	48.0	1.15	1135	50.5	59.5	62.0	0.45	0.56	0.65	0.561
48	1.14	J	4.2	2.0	2.5	0.0358	26	57	16.1	48.0	1.15	1135	50.5	59.5	62.0	0.45	0.56	0.65	0.561		
0.33	0.25	56	0.490	L	6.4	2.5	3.0	0.0389	40	88	17.2	68.0	1.15	3485	48.0	57.5	62.0	0.72	0.79	0.84	0.602
		W56	0.500	L	6.1	2.9	3.0	0.0126	28	62	13.5	65.0	1.15	3425	52.5	59.5	62.0	0.60	0.70	0.77	0.657
		48	0.500	L	6.1	2.9	3.0	0.0126	28	62	13.5	65.0	1.15	3425	52.5	59.5	62.0	0.60	0.70	0.77	0.657
		56	0.970	M	7.1	2.3	3.0	0.0517	31	68	19.4	52.0	1.15	1765	64.0	72.0	74.0	0.47	0.58	0.68	0.624
		W56	0.990	K	5.4	2.3	2.7	0.0318	21	46	15.2	50.0	1.15	1730	57.5	64.0	68.0	0.48	0.60	0.70	0.659
		48	0.990	K	5.4	2.3	2.7	0.0318	21	46	15.2	50.0	1.15	1730	57.5	64.0	68.0	0.48	0.60	0.70	0.659
		56	1.47	L	5.5	2.4	3.0	0.0888	36	79	21.8	50.0	1.15	1160	59.5	68.0	70.0	0.42	0.53	0.62	0.723
		W56	1.51	H	4.1	1.8	2.3	0.0439	22	48	17.9	48.0	1.15	1130	55.0	62.0	64.0	0.48	0.59	0.69	0.711
48	1.51	H	4.1	1.8	2.3	0.0439	22	48	17.9	48.0	1.15	1130	55.0	62.0	64.0	0.48	0.59	0.69	0.711		
0.5	0.37	56	0.740	L	7.0	2.6	3.0	0.0453	35	77	19.0	68.0	1.15	3500	55.0	62.0	68.0	0.67	0.75	0.81	0.843
		W56	0.760	K	6.3	2.9	2.9	0.0147	20	44	14.3	65.0	1.15	3400	59.5	66.0	68.0	0.61	0.73	0.80	0.854
		48	0.760	K	6.3	2.9	2.9	0.0147	20	44	14.3	65.0	1.15	3400	59.5	66.0	68.0	0.61	0.73	0.80	0.854
		56	1.47	L	7.0	2.4	3.0	0.0584	20	44	20.9	52.0	1.15	1760	68.0	74.0	77.0	0.48	0.61	0.70	0.862
		W56	1.50	K	6.0	2.6	2.8	0.0399	16	35	17.0	50.0	1.15	1730	62.0	70.0	72.0	0.49	0.62	0.72	0.896
		48	1.50	K	6.0	2.6	2.8	0.0399	16	35	17.0	50.0	1.15	1730	62.0	70.0	72.0	0.49	0.62	0.72	0.896
		56	2.23	K	5.4	2.1	3.0	0.1065	22	48	24.7	50.0	1.15	1160	64.0	70.0	72.0	0.44	0.56	0.65	0.992
		W56	2.29	H	4.4	2.0	2.4	0.0558	17	37	20.7	48.0	1.15	1130	59.5	66.0	68.0	0.47	0.59	0.69	0.990
48	2.29	H	4.4	2.0	2.4	0.0558	17	37	20.7	48.0	1.15	1130	59.5	66.0	68.0	0.47	0.59	0.69	0.990		
0.75	0.55	56	1.12	K	7.0	2.5	2.9	0.0517	23	51	20.3	68.0	1.15	3475	62.0	68.0	72.0	0.70	0.79	0.85	1.13
		W56	1.14	K	6.9	3.0	3.0	0.0169	14	31	15.2	65.0	1.15	3400	66.0	70.0	72.0	0.64	0.76	0.83	1.16
		48	1.14	K	6.9	3.0	3.0	0.0169	14	31	15.2	65.0	1.15	3400	66.0	70.0	72.0	0.64	0.76	0.83	1.16
		56	2.21	K	6.9	2.4	3.0	0.0648	17	37	22.5	52.0	1.15	1755	72.0	77.0	78.5	0.48	0.61	0.72	1.22
		W56	2.25	K	6.5	2.7	2.9	0.0479	12	26	18.7	50.0	1.15	1730	68.0	74.0	75.5	0.52	0.65	0.75	1.22
		48	2.25	K	6.5	2.7	2.9	0.0479	12	26	18.7	50.0	1.15	1730	68.0	74.0	75.5	0.52	0.65	0.75	1.22
		56H	3.36	K	5.8	2.3	3.0	0.1331	21	46	29.5	50.0	1.15	1155	70.0	74.0	75.5	0.46	0.59	0.68	1.34
		56	3.36	K	5.8	2.3	3.0	0.1331	21	46	29.5	50.0	1.15	1155	70.0	74.0	75.5	0.46	0.59	0.68	1.34

continued on next page

## Fractional - Three Phase - ODP - Standard Efficiency - *continued*

Output		Frame	Full Load Torque (ft.lb)	Locked Rotor Current		Locked Rotor Torque Tl/Tn	Break-down Torque T <sub>b</sub> /Tn	Inertia J (lb-ft <sup>2</sup> )	Allowable locked rotor time (s)		Weight (lb)	Sound dB(A)	Service Factor	460 V							
				Code	I <sub>L</sub> /I <sub>n</sub>				Hot	Cold				Rated speed (rpm)	% of full load			Full load current I <sub>n</sub> (A)			
															Efficiency				Power Factor		
HP	kW													50	75	100	50	75	100		
1	0.75	56	1.49	K	7.2	2.4	2.9	0.0643	24	53	23.4	68.0	1.15	3480	66.0	72.0	74.0	0.68	0.79	0.84	1.51
		W56	1.52	L	7.7	3.3	3.2	0.0211	11	24	17.0	65.0	1.15	3405	70.0	74.0	74.0	0.66	0.77	0.84	1.51
		48	1.52	L	7.7	3.3	3.2	0.0211	11	24	17.0	65.0	1.15	3405	70.0	74.0	74.0	0.66	0.77	0.84	1.51
		56	2.94	M	7.7	2.7	3.0	0.0842	12	26	26.9	52.0	1.15	1760	74.0	78.5	80.0	0.48	0.62	0.71	1.66
		W56	3.00	K	6.9	2.9	2.9	0.0598	9	20	21.6	50.0	1.15	1725	70.0	75.5	77.0	0.53	0.66	0.76	1.61
		48	3.00	K	6.9	2.9	2.9	0.0598	9	20	21.6	50.0	1.15	1725	70.0	75.5	77.0	0.53	0.66	0.76	1.61
		56H	4.52	J	5.6	2.1	2.6	0.1597	15	33	33.7	50.0	1.15	1145	72.0	75.5	77.0	0.50	0.63	0.73	1.67
		56	4.52	J	5.6	2.1	2.6	0.1597	15	33	33.7	50.0	1.15	1145	72.0	75.5	77.0	0.50	0.63	0.73	1.67
1.5	1.1	56	2.25	J	7.2	2.4	2.7	0.0771	12	26	26.0	68.0	1.15	3460	72.0	75.5	77.0	0.76	0.85	0.90	1.99
		W56	2.26	L	8.5	3.8	3.7	0.0294	9	20	20.7	65.0	1.15	3435	74.0	77.0	77.0	0.64	0.77	0.84	2.13
		48	2.26	L	8.5	3.8	3.7	0.0294	9	20	20.7	65.0	1.15	3435	74.0	77.0	77.0	0.64	0.77	0.84	2.13
		56H	4.44	K	7.5	2.5	3.0	0.1037	9	20	31.3	52.0	1.15	1750	77.0	80.0	81.5	0.54	0.67	0.76	2.23
		56	4.44	K	7.5	2.5	3.0	0.1037	9	20	31.3	52.0	1.15	1750	77.0	80.0	81.5	0.54	0.67	0.76	2.23
2	1.5	56H	2.98	K	7.7	2.3	2.9	0.0963	11	24	30.9	68.0	1.15	3475	75.5	78.5	80.0	0.76	0.86	0.90	2.62
		56	2.98	K	7.7	2.3	2.9	0.0963	11	24	30.9	68.0	1.15	3475	75.5	78.5	80.0	0.76	0.86	0.90	2.62
		56H	5.94	K	7.3	2.4	2.7	0.1232	8	18	35.9	52.0	1.15	1745	80.0	81.5	82.5	0.58	0.72	0.80	2.85
		56	5.94	K	7.3	2.4	2.7	0.1232	8	18	35.9	52.0	1.15	1745	80.0	81.5	82.5	0.58	0.72	0.80	2.85
3	2.2	56H	4.47	K	8.5	2.7	2.8	0.1279	6	13	38.1	68.0	1.15	3480	80.0	81.5	81.5	0.76	0.86	0.90	3.76
		56	4.47	K	8.5	2.7	2.8	0.1279	6	13	38.1	68.0	1.15	3480	80.0	81.5	81.5	0.76	0.86	0.90	3.76

## Cooling Tower Motors - Three Phase

Output		Frame	Full Load Torque (ft.lb)	Locked Rotor Current		Locked Rotor Torque Tl/Tn	Break-down Torque Tb/Tn	Inertia J (lb-ft <sup>2</sup> )	Allowable locked rotor time (s)		Weight (lb)	Sound dB(A)	Service Factor	460 V							Full load current In (A)	
				Code	II/In				Hot	Cold				Rated speed (rpm)	% of full load			Efficiency	Power Factor			
															50	75	100		50	75		100
HP	kW																					
1	0.75	143/5T	1.49	L	8.2	2.8	3.4	0.0332	22	48	36.4	68.0	1.25	3480	75.0	79.0	81.5	0.63	0.74	0.80	1.44	
		143T	1.49	L	8.2	2.8	3.4	0.0332	22	48	36.4	68.0	1.25	3480	75.0	79.0	81.5	0.63	0.74	0.80	1.44	
		143/5T	2.94	L	8.4	3.2	3.5	0.1172	18	40	40.8	51.0	1.25	1760	80.0	84.0	85.5	0.55	0.68	0.75	1.47	
		143T	2.94	L	8.4	3.2	3.5	0.1172	18	40	40.8	51.0	1.25	1760	80.0	84.0	85.5	0.55	0.68	0.75	1.47	
		143/5T	4.51	K	6.2	3.0	3.0	0.1595	28	62	52.9	49.0	1.25	1150	77.0	82.0	82.5	0.45	0.57	0.66	1.73	
		182/4T	5.92	M	6.0	3.0	3.5	0.3991	22	48	94.8	50.0	1.25	875	74.0	77.0	78.5	0.32	0.42	0.52	2.30	
		182T	5.92	M	6.0	3.0	3.5	0.3991	22	48	94.8	50.0	1.25	875	74.0	77.0	78.5	0.32	0.42	0.52	2.30	
1.5	1.1	143/5T	2.23	L	8.9	3.5	3.8	0.0470	21	46	40.8	68.0	1.25	3490	81.5	84.0	84.0	0.70	0.80	0.84	1.96	
		143T	2.23	L	8.9	3.5	3.8	0.0470	21	46	40.8	68.0	1.25	3490	81.5	84.0	84.0	0.70	0.80	0.84	1.96	
		143/5T	4.43	L	8.4	2.5	3.4	0.1431	14	31	48.5	51.0	1.25	1755	82.5	85.5	86.5	0.60	0.70	0.79	2.02	
		182/4T	6.64	M	7.8	3.2	4.0	0.4879	16	35	70.3	52.0	1.25	1170	84.0	86.5	87.5	0.45	0.54	0.62	2.54	
		182T	6.64	M	7.8	3.2	4.0	0.4879	16	35	70.3	52.0	1.25	1170	84.0	86.5	87.5	0.45	0.54	0.62	2.54	
		182/4T	9.04	J	5.5	2.5	2.6	0.5766	17	37	111	50.0	1.25	860	80.0	82.5	82.5	0.43	0.54	0.62	2.70	
2	1.5	182T	2.94	L	9.5	2.9	4.8	0.1718	47	103	86.0	69.0	1.25	3530	78.5	84.0	85.5	0.68	0.79	0.84	2.62	
		143/5T	2.98	L	8.9	3.5	3.8	0.0605	17	37	51.8	68.0	1.25	3475	82.5	85.5	85.5	0.71	0.80	0.86	2.56	
		143/5T	5.92	K	8.0	2.7	3.2	0.1561	11	24	50.7	51.0	1.25	1750	85.5	86.5	86.5	0.57	0.70	0.79	2.76	
		182/4T	8.89	L	7.5	3.0	3.0	0.6210	31	68	87.5	52.0	1.25	1165	86.5	88.5	88.5	0.46	0.58	0.66	3.23	
		213/5T	11.8	M	7.6	2.4	2.9	1.79	39	86	149	52.0	1.25	875	82.5	84.0	85.5	0.45	0.55	0.65	3.39	
		213T	11.8	M	7.6	2.4	2.9	1.79	39	86	149	52.0	1.25	875	82.5	84.0	85.5	0.45	0.55	0.65	3.39	
3	2.2	182/4T	4.42	K	8.6	2.5	3.8	0.1889	41	90	88.2	69.0	1.25	3515	82.5	86.5	86.5	0.75	0.84	0.88	3.63	
		182T	4.42	K	8.6	2.5	3.8	0.1889	41	90	88.2	69.0	1.25	3515	82.5	86.5	86.5	0.75	0.84	0.88	3.63	
		145T	4.49	J	8.1	3.3	3.6	0.0605	14	31	51.8	68.0	1.25	3460	85.5	86.5	86.5	0.70	0.81	0.86	3.71	
		182T	8.83	K	8.1	2.3	3.4	0.3401	23	51	90.4	56.0	1.25	1760	87.5	88.5	89.5	0.61	0.73	0.79	3.91	
		182/4T	8.83	K	8.1	2.3	3.4	0.3401	23	51	90.4	56.0	1.25	1760	87.5	88.5	89.5	0.61	0.73	0.79	3.91	
		213/5T	13.2	K	7.0	2.0	2.8	1.20	58	128	121	55.0	1.25	1175	86.5	88.5	89.5	0.50	0.63	0.70	4.41	
		213T	13.3	K	7.0	2.0	2.8	1.20	58	128	121	55.0	1.25	1170	86.5	88.5	89.5	0.50	0.63	0.70	4.41	
		213/5T	17.9	K	6.8	2.3	2.8	2.11	44	97	176	52.0	1.25	870	84.0	85.5	85.5	0.50	0.63	0.71	4.55	
5	3.7	182/4T	7.40	J	7.6	2.3	3.5	0.2233	25	55	88.2	69.0	1.25	3500	86.5	88.5	88.5	0.76	0.85	0.89	5.90	
		182/4T	14.8	J	7.5	2.3	3.2	0.4003	15	33	94.8	56.0	1.25	1755	88.5	89.5	89.5	0.62	0.74	0.80	6.45	
		213/5T	22.1	J	6.8	1.7	2.6	1.47	57	125	162	55.0	1.25	1170	88.5	89.5	89.5	0.58	0.70	0.76	6.83	
		254/6T	29.4	H	5.3	1.9	2.5	3.41	44	97	258	54.0	1.25	880	85.5	87.5	87.5	0.49	0.62	0.70	7.58	
		254T	29.4	H	5.3	1.9	2.5	3.41	44	97	258	54.0	1.25	880	85.5	87.5	87.5	0.49	0.62	0.70	7.58	

continued on next page



## Cooling Tower Motors - Three Phase - continued

Output		Frame	Full Load Torque (ft.lb)	Locked Rotor Current		Locked Rotor Torque Tl/Tn	Break-down Torque Tlb/Tln	Inertia J (lb-ft <sup>2</sup> )	Allowable locked rotor time (s)		Weight (lb)	Sound dB(A)	Service Factor	460 V							Full load current I <sub>n</sub> (A)	
				Code	I <sub>L</sub> /I <sub>n</sub>				Hot	Cold				Rated speed (rpm)	% of full load			Efficiency	Power Factor			
															50	75	100		50	75		100
7.5	5.5	213/5T	11.0	H	7.2	2.1	3.0	0.4665	27	59	139	72.0	1.25	3520	87.5	89.5	89.5	0.75	0.84	0.88	8.76	
		213T	11.0	H	7.2	2.1	3.0	0.4665	27	59	139	72.0	1.25	3520	87.5	89.5	89.5	0.75	0.84	0.88	8.76	
		182/4T	11.1	J	8.2	2.7	3.3	0.2242	17	37	92.6	69.0	1.25	3485	88.5	89.5	89.5	0.75	0.84	0.88	8.76	
		213/5T	22.0	H	7.1	2.2	3.1	1.34	20	44	154	58.0	1.25	1765	89.5	91.0	91.7	0.66	0.76	0.82	9.18	
		213T	22.0	H	7.1	2.2	3.1	1.34	20	44	154	58.0	1.25	1765	89.5	91.0	91.7	0.66	0.76	0.82	9.18	
		215T	22.0	H	7.1	2.2	3.1	1.34	20	44	154	58.0	1.25	1765	89.5	91.0	91.7	0.66	0.76	0.82	9.18	
		254/6T	33.1	H	6.8	2.5	3.0	3.92	30	66	262	59.0	1.25	1175	89.5	90.2	91.0	0.63	0.74	0.80	9.48	
		254T	33.1	H	6.8	2.5	3.0	3.92	30	66	262	59.0	1.25	1175	89.5	90.2	91.0	0.63	0.74	0.80	9.48	
		254/6T	44.2	G	5.3	2.0	2.5	4.43	33	73	284	54.0	1.25	880	85.5	87.5	87.5	0.50	0.63	0.71	11.1	
		284T	44.2	G	5.6	2.0	2.4	7.20	34	75	344	54.0	1.25	880	87.5	88.5	88.5	0.60	0.72	0.78	10.0	
10	7.5	213/5T	14.7	H	7.2	2.2	2.9	0.6362	24	53	163	72.0	1.25	3520	89.5	90.2	90.2	0.79	0.87	0.90	11.6	
		213/5T	29.4	H	6.4	2.0	3.0	1.51	17	37	172	58.0	1.25	1765	91.0	91.7	91.7	0.66	0.77	0.83	12.4	
		254/6T	44.1	H	6.5	2.3	2.8	4.43	26	57	289	59.0	1.25	1175	90.2	91.0	91.0	0.63	0.74	0.78	13.3	
		254T	44.1	H	6.5	2.3	2.8	4.43	26	57	289	59.0	1.25	1175	90.2	91.0	91.0	0.63	0.74	0.78	13.3	
		256T	44.1	H	6.5	2.3	2.8	4.43	26	57	289	59.0	1.25	1175	90.2	91.0	91.0	0.63	0.74	0.78	13.3	
		284/6T	58.9	G	5.6	2.0	2.4	7.20	32	70	373	54.0	1.25	880	89.5	90.2	90.2	0.61	0.72	0.78	13.4	
		284T	58.9	G	5.6	2.0	2.4	7.20	32	70	373	54.0	1.25	880	89.5	90.2	90.2	0.61	0.72	0.78	13.4	
15	11	254/6T	22.0	G	6.7	2.2	2.7	1.26	25	55	236	72.0	1.25	3530	89.5	91.0	91.0	0.77	0.85	0.88	17.2	
		254T	22.0	G	6.7	2.2	2.7	1.26	25	55	236	72.0	1.25	3530	89.5	91.0	91.0	0.77	0.85	0.88	17.2	
		213/5T	22.1	H	7.6	2.4	2.8	0.6362	14	31	163	72.0	1.25	3510	90.2	91.0	91.0	0.76	0.85	0.89	17.0	
		254/6T	44.0	G	6.4	2.3	2.7	2.62	17	37	251	64.0	1.25	1765	91.0	91.7	92.4	0.68	0.78	0.83	18.0	
		254T	44.0	G	6.4	2.3	2.7	2.62	17	37	251	64.0	1.25	1765	91.0	91.7	92.4	0.68	0.78	0.83	18.0	
		256T	44.0	G	6.4	2.3	2.7	2.62	17	37	251	64.0	1.25	1765	91.0	91.7	92.4	0.68	0.78	0.83	18.0	
		284T	66.1	G	6.4	2.3	2.7	7.85	20	44	379	59.0	1.25	1175	91.0	91.7	91.7	0.69	0.80	0.84	17.9	
		284/6T	66.1	G	6.4	2.3	2.7	7.85	20	44	379	59.0	1.25	1175	91.0	91.7	91.7	0.69	0.80	0.84	17.9	
20	15	284/6T	88.3	G	5.5	2.0	2.3	8.18	25	55	417	54.0	1.25	880	85.5	90.0	90.2	0.62	0.72	0.78	19.6	
		254/6T	29.4	G	6.1	2.0	2.4	1.54	21	46	269	72.0	1.25	3520	91.0	91.7	91.0	0.82	0.87	0.89	23.2	
		256T	29.4	G	6.1	2.0	2.4	1.54	21	46	269	72.0	1.25	3520	91.0	91.7	91.0	0.82	0.87	0.89	23.2	
		254/6T	58.7	H	6.9	2.3	2.7	3.10	15	33	291	64.0	1.25	1765	91.7	92.4	93.0	0.68	0.79	0.84	24.1	
		284T	58.7	G	6.0	2.3	2.6	5.11	27	59	370	64.0	1.25	1765	92.4	93.0	93.0	0.70	0.80	0.84	24.1	
		284/6T	88.2	G	6.2	2.3	2.6	9.16	16	35	426	59.0	1.25	1175	91.0	91.7	91.7	0.70	0.80	0.85	24.2	
		324/6T	118	G	5.0	1.9	2.2	9.37	27	59	452	56.0	1.25	880	89.5	91.0	91.0	0.54	0.66	0.73	28.3	
324T	118	G	5.0	1.9	2.2	9.37	27	59	452	56.0	1.25	880	89.5	91.0	91.0	0.54	0.66	0.73	28.3			

continued on next page

## Cooling Tower Motors - Three Phase - *continued*

HP	kW	Frame	Full Load Torque (ft. lb)	Locked Rotor Current		Locked Rotor Torque Tl/Tn	Break-down Torque Tl/Tn	Inertia J (lb-ft <sup>2</sup> )	Allowable locked rotor time (s)		Weight (lb)	Sound dB(A)	Service Factor	460 V							
				Code	II/In				Hot	Cold				Rated speed (rpm)	% of full load			Full load current In (A)			
															Efficiency				Power Factor		
			50	75	100	50	75	100													
25	18.5	284/6TS	36.6	G	6.3	2.0	2.5	2.69	17	37	362	72.0	1.25	3535	91.0	91.7	91.7	0.82	0.87	0.89	28.5
		284TS	36.6	G	6.3	2.0	2.5	2.69	17	37	362	72.0	1.25	3535	91.0	91.7	91.7	0.82	0.87	0.89	28.5
		284T	73.4	G	6.2	2.4	2.7	5.11	24	53	388	64.0	1.25	1765	92.4	93.0	93.6	0.70	0.80	0.84	29.5
		284/6T	73.4	G	6.2	2.4	2.7	5.11	24	53	388	64.0	1.25	1765	92.4	93.0	93.6	0.70	0.80	0.84	29.5
		324/6T	110	G	6.2	2.1	2.6	11.5	26	57	560	62.0	1.25	1180	91.7	93.0	93.0	0.65	0.77	0.82	30.4
		324T	110	G	6.2	2.1	2.6	11.5	26	57	560	62.0	1.25	1180	91.7	93.0	93.0	0.65	0.77	0.82	30.4
		326T	110	G	6.2	2.1	2.6	11.5	26	57	560	62.0	1.25	1180	91.7	93.0	93.0	0.65	0.77	0.82	30.4
		324/6T	147	G	5.2	2.0	2.3	11.9	23	51	509	56.0	1.25	880	89.5	91.0	91.0	0.51	0.64	0.71	35.9
		326T	147	G	5.2	2.0	2.3	11.9	23	51	509	56.0	1.25	880	89.5	91.0	91.0	0.51	0.64	0.71	35.9
30	22	284/6TS	44.0	G	6.3	2.0	2.5	3.37	15	33	392	72.0	1.25	3535	91.7	91.7	91.7	0.82	0.87	0.89	33.8
		324T	87.6	G	6.2	2.1	2.4	8.18	26	57	463	66.0	1.25	1775	92.4	93.6	93.6	0.72	0.81	0.84	35.1
		284/6T	88.1	G	6.1	2.4	2.4	5.85	20	44	437	64.0	1.25	1765	93.0	93.0	93.6	0.70	0.80	0.84	35.1
		324/6T	132	G	6.2	2.3	2.6	13.2	21	46	628	62.0	1.25	1180	91.7	93.0	93.0	0.65	0.76	0.82	36.2
		326T	132	G	6.2	2.3	2.6	13.2	21	46	628	62.0	1.25	1180	91.7	93.0	93.0	0.65	0.76	0.82	36.2
		364/5T	132	G	6.2	1.9	2.4	13.2	27	59	781	66.0	1.25	1180	93.0	93.6	93.0	0.72	0.81	0.85	34.9
		364/5T	177	G	6.2	1.7	2.4	23.5	20	44	803	60.0	1.25	880	92.4	92.4	92.4	0.63	0.74	0.80	37.0
40	30	324/6TS	58.3	G	6.3	2.3	2.4	4.90	22	48	547	78.0	1.25	3555	91.7	92.4	92.4	0.82	0.87	0.89	45.8
		324TS	58.3	G	6.3	2.3	2.4	4.90	22	48	547	78.0	1.25	3555	91.7	92.4	92.4	0.82	0.87	0.89	45.8
		324/6T	117	G	6.1	2.2	2.4	9.16	20	44	492	66.0	1.25	1775	93.6	94.1	94.1	0.72	0.80	0.85	47.1
		324T	117	G	6.1	2.2	2.4	9.16	20	44	492	66.0	1.25	1775	93.6	94.1	94.1	0.72	0.80	0.85	47.1
		326T	117	G	6.1	2.2	2.4	9.16	20	44	492	66.0	1.25	1775	93.6	94.1	94.1	0.72	0.80	0.85	47.1
		364/5T	175	G	6.4	2.0	2.4	29.0	21	46	833	66.0	1.25	1185	93.6	93.6	94.1	0.73	0.82	0.86	46.5
		364/5T	235	H	6.7	1.7	2.3	29.0	18	40	875	60.0	1.25	880	92.4	93.0	92.4	0.66	0.76	0.81	50.3
50	37	324/6TS	73.0	F	6.2	2.2	2.3	5.75	23	51	584	78.0	1.25	3550	93.0	93.0	93.0	0.83	0.87	0.89	56.1
		326TS	73.0	F	6.2	2.2	2.3	5.75	23	51	584	78.0	1.25	3550	93.0	93.0	93.0	0.83	0.87	0.89	56.1
		324/6T	146	G	6.2	2.3	2.7	9.16	15	33	536	66.0	1.25	1775	93.0	94.1	94.5	0.66	0.77	0.83	59.2
		364/5T	220	G	6.4	2.0	2.4	32.4	18	40	869	66.0	1.25	1180	93.6	94.1	94.1	0.74	0.83	0.86	57.4
		404/5T	220	G	6.3	2.0	2.4	32.4	20	44	975	68.0	1.25	1180	93.6	94.1	94.1	0.73	0.82	0.85	58.1
		404/5T	294	H	6.8	1.7	2.6	34.6	15	33	1012	60.0	1.25	880	93.0	93.0	93.0	0.68	0.78	0.83	60.0
60	45	364/5TS	87.3	G	6.6	2.0	2.6	10.6	14	31	825	79.0	1.25	3560	91.7	93.0	93.6	0.81	0.88	0.90	67.0
		404/5TS	87.4	G	6.5	2.0	2.5	10.6	22	48	911	79.0	1.25	3555	91.7	93.0	93.6	0.82	0.88	0.90	67.0
		364/5T	175	G	6.6	2.4	2.6	22.4	15	33	869	67.0	1.25	1775	94.1	94.5	95.0	0.75	0.83	0.87	68.3
		404/5T	262	H	7.1	2.0	2.3	36.9	20	44	1036	68.0	1.25	1185	94.1	94.5	94.5	0.74	0.82	0.86	69.5
		404/5T	353	H	6.5	1.8	2.7	40.2	13	29	1111	60.0	1.25	880	93.0	93.0	93.0	0.68	0.78	0.83	73.0
75	55	364/5TS	109	G	6.7	2.0	2.6	11.9	10	22	847	79.0	1.25	3555	92.4	93.6	93.6	0.83	0.88	0.90	81.9
		364/5T	219	G	6.4	2.4	2.6	23.3	14	31	919	67.0	1.25	1775	94.5	95.0	95.4	0.73	0.82	0.86	84.1
		404/5T	329	G	6.4	2.0	2.3	40.2	17	37	1089	68.0	1.25	1180	94.1	94.5	94.5	0.74	0.83	0.86	84.9
		444/5T	437	G	6.0	1.8	2.1	73.6	18	40	1444	63.0	1.25	890	93.0	93.6	93.6	0.64	0.74	0.79	93.0

*continued on next page*

## Cooling Tower Motors - Three Phase - *continued*

Output		Frame	Full Load Torque (ft.lb)	Locked Rotor Current		Locked Rotor Torque Tl/Tn	Break-down Torque Tlb/Tn	Inertia J (lb-ft <sup>2</sup> )	Allowable locked rotor time (s)		Weight (lb)	Sound dB(A)	Service Factor	460 V								
				Code	ll/ln				Rated speed (rpm)	% of full load				Full load current In (A)								
HP	kW	Efficiency			Power Factor																	
		50	75	100	50	75	100															
100	75	404/5TS	146	G	6.5	2.0	2.4	13.2	14	31	1045	79.0	1.25	3545	93.0	94.1	94.1	0.85	0.90	0.91	110	
		404/5T	292	H	7.3	2.4	2.6	29.9	13	29	1140	68.0	1.25	1775	95.0	95.0	95.4	0.77	0.84	0.88	111	
		444/5T	437	G	6.2	2.2	2.6	87.3	20	44	1577	69.0	1.25	1185	94.5	95.0	95.0	0.68	0.78	0.82	121	
		444/5T	582	G	6.0	1.9	2.2	87.3	15	33	1599	63.0	1.25	890	93.6	94.1	94.1	0.63	0.74	0.79	127	



## Close-Coupled Pump - JM - Three Phase - TEFC - Rolled Steel

Output		Frame	Full Load Torque (ft.lb)	Locked Rotor Current		Locked Rotor Torque Tl/Tn	Break-down Torque Tb/Tn	Inertia J (lb-ft <sup>2</sup> )	Allowable locked rotor time (s)		Weight (lb)	Sound dB(A)	Service Factor	460 V							
														Rated speed (rpm)	% of full load						Full load current In (A)
															Efficiency			Power Factor			
															50	75	100	50	75	100	
HP	kW	Code	II/In	Hot	Cold																
1	0.75	143/5JM	1.48	K	7.8	2.0	3.0	0.0643	22	48	26.2	68.0	1.15	3510	72.0	77.0	78.5	0.65	0.76	0.83	1.44
		143/5JM	2.94	M	8.6	2.8	3.0	0.1232	19	42	37.9	52.0	1.15	1765	82.5	84.0	85.5	0.52	0.66	0.75	1.47
		143/5JM	4.52	J	5.8	2.3	2.8	0.1597	31	68	38.6	49.0	1.15	1145	80.0	82.5	82.5	0.50	0.63	0.72	1.58
1.5	1.1	143/5JM	2.21	L	9.1	2.3	3.0	0.1023	17	37	34.2	68.0	1.15	3520	80.0	82.5	84.0	0.71	0.82	0.88	1.87
		143/5JM	4.44	K	8.2	2.7	3.0	0.1101	21	46	37.9	52.0	1.15	1750	85.5	86.5	86.5	0.59	0.72	0.79	2.02
		182/4JM	6.64	K	6.9	2.4	3.4	0.2800	55	121	65.9	52.0	1.15	1170	84.0	86.5	87.5	0.50	0.63	0.71	2.22
2	1.5	143/5JM	2.94	L	9.9	2.5	3.0	0.1279	13	29	40.1	68.0	1.15	3520	82.5	85.5	85.5	0.73	0.83	0.89	2.47
		143/5JM	5.94	K	8.2	2.7	3.0	0.1296	15	33	42.3	52.0	1.15	1745	85.5	87.5	86.5	0.60	0.73	0.80	2.72
		182/4JM	8.86	K	7.5	2.6	3.7	0.3424	44	97	76.1	52.0	1.15	1170	84.0	86.5	88.5	0.50	0.62	0.71	3.00
3	2.2	182/4JM	4.42	K	8.8	2.2	3.0	0.1564	22	48	63.5	68.0	1.15	3515	84.0	86.5	86.5	0.71	0.82	0.87	3.67
		182/4JM	8.81	K	8.8	2.2	3.0	0.4017	18	40	80.3	56.0	1.15	1765	87.5	88.5	89.5	0.61	0.74	0.81	3.81
		213/5JM	13.2	H	6.4	2.3	2.9	1.08	46	101	130	55.0	1.15	1175	85.5	88.5	89.5	0.55	0.67	0.74	4.17
5	3.7	182/4JM	7.40	J	7.8	2.2	3.0	0.2079	17	37	78.5	68.0	1.15	3500	87.5	88.5	88.5	0.76	0.85	0.89	5.90
		182/4JM	14.8	J	7.0	2.2	3.0	0.3080	16	35	71.4	56.0	1.15	1750	88.5	89.5	89.5	0.60	0.73	0.80	6.49
		213/5JM	22.0	H	6.0	2.2	2.5	1.26	30	66	144	55.0	1.15	1175	87.5	88.5	89.5	0.59	0.71	0.77	6.74
7.5	5.5	213/5JM	11.0	H	7.6	2.6	3.0	0.5496	15	33	133	70.0	1.15	3530	87.5	88.5	89.5	0.76	0.85	0.89	8.67
		213/5JM	22.0	H	7.3	2.6	3.0	0.9380	22	48	120	60.0	1.15	1770	90.2	91.0	91.7	0.64	0.76	0.82	9.07
		254/6JM	33.1	G	5.4	2.0	2.3	2.34	42	92	204	59.0	1.15	1175	89.5	89.5	91.0	0.58	0.70	0.76	9.98
10	7.5	213/5JM	14.7	H	7.5	2.6	3.0	0.7188	12	26	161	70.0	1.15	3530	89.5	90.2	90.2	0.80	0.88	0.91	11.5
		213/5JM	29.4	H	7.0	2.5	3.0	1.07	15	33	130	60.0	1.15	1760	91.0	91.0	91.7	0.67	0.78	0.84	12.2
		254/6JM	44.1	G	5.4	2.1	2.3	2.83	30	66	234	59.0	1.15	1175	90.2	91.0	91.0	0.57	0.69	0.75	13.8
15	11	254/6JM	22.0	G	6.8	2.0	3.0	0.8718	14	31	175	75.0	1.15	3525	89.5	91.0	91.0	0.73	0.83	0.87	17.4
		254/6JM	43.9	G	6.5	2.5	3.0	2.15	19	42	197	68.0	1.15	1770	91.0	92.4	92.4	0.64	0.76	0.82	18.2
20	15	254/6JM	29.5	G	6.6	2.0	2.9	1.22	12	26	211	75.0	1.15	3515	90.0	91.0	91.0	0.81	0.88	0.91	22.7
		254/6JM	58.7	H	6.7	2.7	3.0	2.64	16	35	227	68.0	1.15	1765	91.7	92.4	93.0	0.66	0.77	0.82	24.7
25	18.5	254/6JM	36.7	J	8.3	2.4	3.4	1.31	8	18	221	75.0	1.15	3530	91.0	91.7	91.7	0.77	0.85	0.89	28.5

**Close-Coupled Pump - JM - Three Phase - TEFC - Cast Iron**

Output		Frame	Full Load Torque (ft.lb)	Locked Rotor Current		Locked Rotor Torque Tl/Tn	Break-down Torque Td/Tn	Inertia J (lb-ft <sup>2</sup> )	Allowable locked rotor time (s)		Weight (lb)	Sound dB(A)	Service Factor	460 V							Full load current In (A)	
				Code	II/In				Hot	Cold				Rated speed (rpm)	% of full load			Efficiency	Power Factor			
															50	75	100		50	75		100
1	0.75	143/5JM	1.49	L	8.2	2.8	3.4	0.0332	22	48	36.4	68.0	1.25	3480	75.0	79.0	81.5	0.63	0.74	0.80	1.44	
		143/5JM	2.94	L	8.4	3.2	3.5	0.1172	18	40	40.8	51.0	1.25	1760	80.0	84.0	85.5	0.55	0.68	0.75	1.47	
		143/5JM	4.51	K	6.2	2.6	3.0	0.1595	28	62	52.9	49.0	1.25	1150	77.0	82.0	82.5	0.45	0.57	0.66	1.73	
1.5	1.1	143/5JM	2.23	L	8.9	3.5	3.8	0.0470	21	46	40.8	68.0	1.25	3490	81.5	84.0	84.0	0.70	0.80	0.84	1.96	
		143/5JM	4.43	L	8.4	2.5	3.4	0.1431	14	31	48.5	51.0	1.25	1755	82.5	85.5	86.5	0.60	0.70	0.79	2.02	
		182/4JM	6.64	M	7.8	3.2	4.0	0.4879	16	35	70.3	52.0	1.25	1170	84.0	86.5	87.5	0.45	0.54	0.62	2.54	
2	1.5	143/5JM	2.98	L	8.9	3.5	3.8	0.0605	17	37	51.8	68.0	1.25	3475	82.5	85.5	85.5	0.71	0.80	0.86	2.56	
		143/5JM	5.92	K	8.0	2.7	3.2	0.1561	11	24	50.7	51.0	1.25	1750	85.5	86.5	86.5	0.57	0.70	0.79	2.76	
		182/4JM	8.89	L	7.5	3.0	3.0	0.6210	31	68	87.5	52.0	1.25	1165	86.5	88.5	88.5	0.46	0.58	0.66	3.23	
3	2.2	182/4JM	4.42	K	8.6	2.5	3.8	0.1889	41	90	88.2	69.0	1.25	3515	82.5	86.5	86.5	0.75	0.84	0.88	3.63	
		182/4JM	8.83	K	8.1	2.3	3.4	0.3401	23	51	90.4	56.0	1.25	1760	87.5	88.5	89.5	0.61	0.73	0.79	3.91	
		213/5JM	13.2	K	7.0	2.0	2.8	1.20	58	128	121	55.0	1.25	1175	86.5	88.5	89.5	0.50	0.63	0.70	4.41	
5	3.7	182/4JM	7.40	J	7.6	2.3	3.5	0.2233	25	55	88.2	69.0	1.25	3500	86.5	88.5	88.5	0.76	0.85	0.89	5.90	
		182/4JM	14.8	J	7.5	2.3	3.2	0.4003	15	33	94.8	56.0	1.25	1755	88.5	89.5	89.5	0.62	0.74	0.80	6.45	
		213/5JM	22.1	J	6.8	1.7	2.6	1.47	57	125	162	55.0	1.25	1170	88.5	89.5	89.5	0.58	0.70	0.76	6.83	
7.5	5.5	213/5JM	11.0	H	7.2	2.1	3.0	0.4665	27	59	139	72.0	1.25	3520	87.5	89.5	89.5	0.75	0.84	0.88	8.76	
		213JM	22.0	H	7.1	2.2	3.1	1.34	20	44	154	58.0	1.25	1765	89.5	91.0	91.7	0.66	0.76	0.82	9.18	
		213/5JM	22.0	H	7.1	2.2	3.1	1.34	20	44	154	58.0	1.25	1765	89.5	91.0	91.7	0.66	0.76	0.82	9.18	
		254/6JM	33.1	H	6.8	2.5	3.0	3.92	30	66	262	59.0	1.25	1175	89.5	90.2	91.0	0.63	0.74	0.80	9.48	
10	7.5	213/5JM	14.7	H	7.2	2.2	2.9	0.6362	24	53	163	72.0	1.25	3520	89.5	90.2	90.2	0.79	0.87	0.90	11.6	
		213/5JM	29.4	H	6.4	2.0	3.0	1.51	17	37	172	58.0	1.25	1765	91.0	91.7	91.7	0.66	0.77	0.83	12.4	
		215JM	29.4	H	6.4	2.0	3.0	1.51	17	37	172	58.0	1.25	1765	91.0	91.7	91.7	0.66	0.77	0.83	12.4	
		254/6JM	44.1	H	6.5	2.3	2.8	4.43	26	57	289	59.0	1.25	1175	90.2	91.0	91.0	0.63	0.74	0.78	13.3	
15	11	254/6JM	22.0	G	6.7	2.2	2.7	1.26	25	55	236	72.0	1.25	3530	89.5	91.0	91.0	0.77	0.85	0.88	17.2	
		254/6JM	44.0	G	6.4	2.3	2.7	2.62	17	37	251	64.0	1.25	1765	91.0	91.7	92.4	0.68	0.78	0.83	18.0	
		284/6JM	66.1	G	6.4	2.3	2.7	7.85	20	44	379	59.0	1.25	1175	91.0	91.7	91.7	0.69	0.80	0.84	17.9	
20	15	254/6JM	29.4	G	6.1	2.0	2.4	1.54	21	46	269	72.0	1.25	3520	91.0	91.7	91.0	0.82	0.87	0.89	23.2	
		254/6JM	58.7	H	6.9	2.3	2.7	3.10	15	33	291	64.0	1.25	1765	91.7	92.4	93.0	0.68	0.79	0.84	24.1	
		284/6JM	88.2	G	6.2	2.3	2.6	9.16	16	35	426	59.0	1.25	1175	91.0	91.7	91.7	0.70	0.80	0.85	24.2	
25	18.5	284/6JM	36.6	G	6.3	2.0	2.5	2.69	17	37	362	72.0	1.25	3535	91.0	91.7	91.7	0.82	0.87	0.89	28.5	
		284/6JM	73.4	G	6.2	2.4	2.7	5.11	24	53	388	64.0	1.25	1765	92.4	93.0	93.6	0.70	0.80	0.84	29.5	
		324/6JM	110	G	6.2	2.1	2.6	11.5	26	57	560	62.0	1.25	1180	91.7	93.0	93.0	0.65	0.77	0.82	30.4	
30	22	284/6JM	44.0	G	6.3	2.0	2.5	3.37	15	33	392	72.0	1.25	3535	91.7	91.7	91.7	0.82	0.87	0.89	33.8	
		284/6JM	88.1	G	6.1	2.4	2.4	5.85	20	44	437	64.0	1.25	1765	93.0	93.0	93.6	0.70	0.80	0.84	35.1	
		324/6JM	132	G	6.2	2.3	2.6	13.2	21	46	628	62.0	1.25	1180	91.7	93.0	93.0	0.65	0.76	0.82	36.2	
40	30	324/6JM	58.3	G	6.3	2.3	2.4	4.90	22	48	547	78.0	1.25	3555	91.7	92.4	92.4	0.82	0.87	0.89	45.8	
		324/6JM	117	G	6.1	2.2	2.4	9.16	20	44	492	66.0	1.25	1775	93.6	94.1	94.1	0.72	0.80	0.85	47.1	
		364/5JM	175	G	6.4	2.0	2.4	29.0	21	46	833	66.0	1.25	1185	93.6	93.6	94.1	0.73	0.82	0.86	46.5	

*continued on next page*

## Close-Coupled Pump - JM - Three Phase - TEFC - Cast Iron - *continued*

Output		Frame	Full Load Torque (ft.lb)	Locked Rotor Current		Locked Rotor Torque Tl/Tn	Break-down Torque Tb/Tn	Inertia J (lb-ft <sup>2</sup> )	Allowable locked rotor time (s)		Weight (lb)	Sound dB(A)	Service Factor	460 V											
														Rated speed (rpm)	% of full load						Full load current in (A)				
															Efficiency			Power Factor							
															50	75	100	50	75	100					
HP	kW	Code	II/In	Hot	Cold																				
50	37	324/6JM	F	6.2	23	51	73.0	G	6.2	2.2	2.3	5.75	23	51	584	78.0	1.25	3550	93.0	93.0	93.0	0.83	0.87	0.89	56.1
		324/6JM	G	6.2	15	33	9.16	15	33	536	66.0	1.25	1775	93.0	94.1	94.5	0.66	0.77	0.83	59.2					
		364/5JM	G	6.4	18	40	32.4	18	40	869	66.0	1.25	1180	93.6	94.1	94.1	0.74	0.83	0.86	57.4					
60	45	364/5JM	G	6.6	14	31	87.3	G	6.6	2.0	2.6	10.6	14	31	825	79.0	1.25	3560	91.7	93.0	93.6	0.81	0.88	0.90	67.0
		364/5JM	G	6.6	15	33	22.4	15	33	869	67.0	1.25	1775	94.1	94.5	95.0	0.75	0.83	0.87	68.3					
75	55	364/5JM	G	6.7	10	22	109	G	6.7	2.0	2.6	11.9	10	22	847	79.0	1.25	3555	92.4	93.6	93.6	0.83	0.88	0.90	81.9
		364/5JM	G	6.4	14	31	23.3	14	31	919	67.0	1.25	1775	94.5	95.0	95.4	0.73	0.82	0.86	84.1					

**Close-Coupled Pump - JP - Three Phase - TEFC - Rolled Steel**

Output		Frame	Full Load Torque (ft.lb)	Locked Rotor Current		Locked Rotor Torque Tl/Tn	Break-down Torque Tb/Tn	Inertia J (lb-ft <sup>2</sup> )	Allowable locked rotor time (s)		Weight (lb)	Sound dB(A)	Service Factor	460 V							
				Code	II/In				Hot	Cold				Rated speed (rpm)	% of full load			Full load current In (A)			
															Efficiency				Power Factor		
															50	75	100		50	75	100
1	0.75	143/5JP	1.48	K	7.8	2.0	3.0	0.0643	22	48	26.2	68.0	1.15	3510	72.0	77.0	78.5	0.65	0.76	0.83	1.44
		143/5JP	2.94	M	8.6	2.8	3.0	0.1232	19	42	37.9	52.0	1.15	1765	82.5	84.0	85.5	0.52	0.66	0.75	1.47
		143/5JP	4.52	J	5.8	2.3	2.8	0.1597	31	68	38.6	49.0	1.15	1145	80.0	82.5	82.5	0.50	0.63	0.72	1.58
1.5	1.1	143/5JP	2.21	L	9.1	2.3	3.0	0.1023	17	37	34.2	68.0	1.15	3520	80.0	82.5	84.0	0.71	0.82	0.88	1.87
		143/5JP	4.44	K	8.2	2.7	3.0	0.1101	21	46	37.9	52.0	1.15	1750	85.5	86.5	86.5	0.59	0.72	0.79	2.02
		182/4JP	6.64	K	6.9	2.4	3.4	0.2800	55	121	65.9	52.0	1.15	1170	84.0	86.5	87.5	0.50	0.63	0.71	2.22
2	1.5	143/5JP	2.94	L	9.9	2.5	3.0	0.1279	13	29	40.1	68.0	1.15	3520	82.5	85.5	85.5	0.73	0.83	0.89	2.47
		143/5JP	5.94	K	8.2	2.7	3.0	0.1296	15	33	42.3	52.0	1.15	1745	85.5	87.5	86.5	0.60	0.73	0.80	2.72
		182/4JP	8.86	K	7.5	2.6	3.7	0.3424	44	97	76.1	52.0	1.15	1170	84.0	86.5	88.5	0.50	0.62	0.71	3.00
3	2.2	182/4JP	4.42	K	8.8	2.2	3.0	0.1564	22	48	63.5	68.0	1.15	3515	84.0	86.5	86.5	0.71	0.82	0.87	3.67
		182/4JP	8.81	K	8.8	2.2	3.0	0.4017	18	40	80.3	56.0	1.15	1765	87.5	88.5	89.5	0.61	0.74	0.81	3.81
		213/5JP	13.2	H	6.4	2.3	2.9	1.08	46	101	130	55.0	1.15	1175	85.5	88.5	89.5	0.55	0.67	0.74	4.17
5	3.7	182/4JP	7.40	J	7.8	2.2	3.0	0.2079	17	37	78.5	68.0	1.15	3500	87.5	88.5	88.5	0.76	0.85	0.89	5.90
		182/4JP	14.8	J	7.0	2.2	3.0	0.3080	16	35	71.4	56.0	1.15	1750	88.5	89.5	89.5	0.60	0.73	0.80	6.49
		213/5JP	22.0	H	6.0	2.2	2.5	1.26	30	66	144	55.0	1.15	1175	87.5	88.5	89.5	0.59	0.71	0.77	6.74
7.5	5.5	213/5JP	11.0	H	7.6	2.6	3.0	0.5496	15	33	133	70.0	1.15	3530	87.5	88.5	89.5	0.76	0.85	0.89	8.67
		213/5JP	22.0	H	7.3	2.6	3.0	0.9380	22	48	120	60.0	1.15	1770	90.2	91.0	91.7	0.64	0.76	0.82	9.07
		254/6JP	33.1	G	5.4	2.0	2.3	2.34	42	92	204	59.0	1.15	1175	89.5	89.5	91.0	0.58	0.70	0.76	9.98
10	7.5	213/5JP	14.7	H	7.5	2.6	3.0	0.7188	12	26	161	70.0	1.15	3530	89.5	90.2	90.2	0.80	0.88	0.91	11.5
		213/5JP	29.4	H	7.0	2.5	3.0	1.07	15	33	130	60.0	1.15	1760	91.0	91.0	91.7	0.67	0.78	0.84	12.2
		254/6JP	44.1	G	5.4	2.1	2.3	2.83	30	66	234	59.0	1.15	1175	90.2	91.0	91.0	0.57	0.69	0.75	13.8
15	11	254/6JP	22.0	G	6.8	2.0	3.0	0.8718	14	31	175	75.0	1.15	3525	89.5	91.0	91.0	0.73	0.83	0.87	17.4
		254/6JP	43.9	G	6.5	2.5	3.0	2.15	19	42	197	68.0	1.15	1770	91.0	92.4	92.4	0.64	0.76	0.82	18.2
20	15	254/6JP	29.5	G	6.6	2.0	2.9	1.22	12	26	211	75.0	1.15	3515	90.0	91.0	91.0	0.81	0.88	0.91	22.7
		254/6JP	58.7	H	6.7	2.7	3.0	2.64	16	35	227	68.0	1.15	1765	91.7	92.4	93.0	0.66	0.77	0.82	24.7
25	18.5	254/6JP	36.7	J	8.3	2.4	3.4	1.31	8	18	221	75.0	1.15	3530	91.0	91.7	91.7	0.77	0.85	0.89	28.5



## Close-Coupled Pump - JP - Three Phase - TEFC - Cast Iron

Output		Frame	Full Load Torque (ft.lb)	Locked Rotor Current		Locked Rotor Torque Tl/Tn	Break-down Torque Tb/Tn	Inertia J (lb-ft <sup>2</sup> )	Allowable locked rotor time (s)		Weight (lb)	Sound dB(A)	Service Factor	460 V								
				Code	ll/in				Hot	Cold				Rated speed (rpm)	% of full load						Full load current In (A)	
															Efficiency			Power Factor				
															50	75	100	50	75	100		
1	0.75	143/5JP	1.49	L	8.2	2.8	3.4	0.0332	22	48	36.4	68.0	1.25	3480	75.0	79.0	81.5	0.63	0.74	0.80	1.44	
		143/5JP	2.94	L	8.4	3.2	3.5	0.1172	18	40	40.8	51.0	1.25	1760	80.0	84.0	85.5	0.55	0.68	0.75	1.47	
		143/5JP	4.51	K	6.2	2.6	3.0	0.1595	28	62	52.9	49.0	1.25	1150	77.0	82.0	82.5	0.45	0.57	0.66	1.73	
1.5	1.1	143/5JP	2.23	L	8.9	3.5	3.8	0.0470	21	46	40.8	68.0	1.25	3490	81.5	84.0	84.0	0.70	0.80	0.84	1.96	
		143/5JP	4.43	L	8.4	2.5	3.4	0.1431	14	31	48.5	51.0	1.25	1755	82.5	85.5	86.5	0.60	0.70	0.79	2.02	
		182/4JP	6.64	M	7.8	3.2	4.0	0.4879	16	35	70.3	52.0	1.25	1170	84.0	86.5	87.5	0.45	0.54	0.62	2.54	
2	1.5	143/5JP	2.98	L	8.9	3.5	3.8	0.0605	17	37	51.8	68.0	1.25	3475	82.5	85.5	85.5	0.71	0.80	0.86	2.56	
		143/5JP	5.92	K	8.0	2.7	3.2	0.1561	11	24	50.7	51.0	1.25	1750	85.5	86.5	86.5	0.57	0.70	0.79	2.76	
		182/4JP	8.89	L	7.5	3.0	3.0	0.6210	31	68	87.5	52.0	1.25	1165	86.5	88.5	88.5	0.46	0.58	0.66	3.23	
3	2.2	182/4JP	4.42	K	8.6	2.5	3.8	0.1889	41	90	88.2	69.0	1.25	3515	82.5	86.5	86.5	0.75	0.84	0.88	3.63	
		182/4JP	8.83	K	8.1	2.3	3.4	0.3401	23	51	90.4	56.0	1.25	1760	87.5	88.5	89.5	0.61	0.73	0.79	3.91	
		213/5JP	13.2	K	7.0	2.0	2.8	1.20	58	128	121	55.0	1.25	1175	86.5	88.5	89.5	0.50	0.63	0.70	4.41	
5	3.7	182/4JP	7.40	J	7.6	2.3	3.5	0.2233	25	55	88.2	69.0	1.25	3500	86.5	88.5	88.5	0.76	0.85	0.89	5.90	
		182/4JP	14.8	J	7.5	2.3	3.2	0.4003	15	33	94.8	56.0	1.25	1755	88.5	89.5	89.5	0.62	0.74	0.80	6.45	
		213/5JP	22.1	J	6.8	1.7	2.6	1.47	57	125	162	55.0	1.25	1170	88.5	89.5	89.5	0.58	0.70	0.76	6.83	
7.5	5.5	213/5JP	11.0	H	7.2	2.1	3.0	0.4665	27	59	139	72.0	1.25	3520	87.5	89.5	89.5	0.75	0.84	0.88	8.76	
		213/5JP	22.0	H	7.1	2.2	3.1	1.34	20	44	154	58.0	1.25	1765	89.5	91.0	91.7	0.66	0.76	0.82	9.18	
		254/6JP	33.1	H	6.8	2.5	3.0	3.92	30	66	262	59.0	1.25	1175	89.5	90.2	91.0	0.63	0.74	0.80	9.48	
10	7.5	213/5JP	14.7	H	7.2	2.2	2.9	0.6362	24	53	163	72.0	1.25	3520	89.5	90.2	90.2	0.79	0.87	0.90	11.6	
		213/5JP	29.4	H	6.4	2.0	3.0	1.51	17	37	172	58.0	1.25	1765	91.0	91.7	91.7	0.66	0.77	0.83	12.4	
		254/6JP	44.1	H	6.5	2.3	2.8	4.43	26	57	289	59.0	1.25	1175	90.2	91.0	91.0	0.63	0.74	0.78	13.3	
15	11	254/6JP	22.0	G	6.7	2.2	2.7	1.26	25	55	236	72.0	1.25	3530	89.5	91.0	91.0	0.77	0.85	0.88	17.2	
		254/6JP	44.0	G	6.4	2.3	2.7	2.62	17	37	251	64.0	1.25	1765	91.0	91.7	92.4	0.68	0.78	0.83	18.0	
		284/6JP	66.1	G	6.4	2.3	2.7	7.85	20	44	379	59.0	1.25	1175	91.0	91.7	91.7	0.69	0.80	0.84	17.9	
20	15	254/6JP	29.4	G	6.1	2.0	2.4	1.54	21	46	269	72.0	1.25	3520	91.0	91.7	91.0	0.82	0.87	0.89	23.2	
		254/6JP	58.7	H	6.9	2.3	2.7	3.10	15	33	291	64.0	1.25	1765	91.7	92.4	93.0	0.68	0.79	0.84	24.1	
		284/6JP	88.2	G	6.2	2.3	2.6	9.16	16	35	426	59.0	1.25	1175	91.0	91.7	91.7	0.70	0.80	0.85	24.2	
25	18.5	284/6JP	36.6	G	6.3	2.0	2.5	2.69	17	37	362	72.0	1.25	3535	91.0	91.7	91.7	0.82	0.87	0.89	28.5	
		284/6JP	73.4	G	6.2	2.4	2.7	5.11	24	53	388	64.0	1.25	1765	92.4	93.0	93.6	0.70	0.80	0.84	29.5	
		324/6JP	110	G	6.2	2.1	2.6	11.5	26	57	560	62.0	1.25	1180	91.7	93.0	93.0	0.65	0.77	0.82	30.4	
30	22	284/6JP	44.0	G	6.3	2.0	2.5	3.37	15	33	392	72.0	1.25	3535	91.7	91.7	91.7	0.82	0.87	0.89	33.8	
		284/6JP	88.1	G	6.1	2.4	2.4	5.85	20	44	437	64.0	1.25	1765	93.0	93.0	93.6	0.70	0.80	0.84	35.1	
		324/6JP	132	G	6.2	2.3	2.6	13.2	21	46	628	62.0	1.25	1180	91.7	93.0	93.0	0.65	0.76	0.82	36.2	
40	30	324JP	58.3	G	6.3	2.3	2.4	4.90	22	48	547	78.0	1.25	3555	91.7	92.4	92.4	0.82	0.87	0.89	45.8	
		324/6JP	117	G	6.1	2.2	2.4	9.16	20	44	492	66.0	1.25	1775	93.6	94.1	94.1	0.72	0.80	0.85	47.1	
		364/5JP	175	G	6.4	2.0	2.4	29.0	21	46	833	66.0	1.25	1185	93.6	93.6	94.1	0.73	0.82	0.86	46.5	
50	37	324/6JP	73.0	F	6.2	2.2	2.3	5.75	23	51	584	78.0	1.25	3550	93.0	93.0	93.0	0.83	0.87	0.89	56.1	
		324/6JP	146	G	6.2	2.3	2.7	9.16	15	33	536	66.0	1.25	1775	93.0	94.1	94.5	0.66	0.77	0.83	59.2	
		364/5JP	220	G	6.4	2.0	2.4	32.4	18	40	869	66.0	1.25	1180	93.6	94.1	94.1	0.74	0.83	0.86	57.4	

continued on next page

## Close-Coupled Pump - JP - Three Phase - TEFC - Cast Iron - *continued*

Output		Frame	Full Load Torque (ft.lb)	Locked Rotor Current		Locked Rotor Torque Tl/Tn	Break-down Torque Tb/Tn	Inertia J (lb-ft <sup>2</sup> )	Allowable locked rotor time (s)		Weight (lb)	Sound dB(A)	Service Factor	460 V							
														Rated speed (rpm)	% of full load			Full load current In (A)			
															Efficiency				Power Factor		
HP	kW			Code	ll/ln			Hot	Cold					50	75	100	50	75	100		
60	45	364/5JP	87.3	G	6.6	2.0	2.6	10.6	14	31	825	79.0	1.25	3560	91.7	93.0	93.6	0.81	0.88	0.90	67.0
		364/5JP	175	G	6.6	2.4	2.6	22.4	15	33	869	67.0	1.25	1775	94.1	94.5	95.0	0.75	0.83	0.87	68.3
		404/5JP	262	H	7.1	2.0	2.3	36.9	20	44	1036	68.0	1.25	1185	94.1	94.5	94.5	0.74	0.82	0.86	69.5
75	55	364/5JP	109	G	6.7	2.0	2.6	11.9	10	22	847	79.0	1.25	3555	92.4	93.6	93.6	0.83	0.88	0.90	81.9
		364/5JP	219	G	6.4	2.4	2.6	23.3	14	31	919	67.0	1.25	1775	94.5	95.0	95.4	0.73	0.82	0.86	84.1
		404/5JP	329	G	6.4	2.0	2.3	40.2	17	37	1089	68.0	1.25	1180	94.1	94.5	94.5	0.74	0.83	0.86	84.9
100	75	404/5JP	146	G	6.5	2.0	2.4	13.2	14	31	1045	79.0	1.25	3545	93.0	94.1	94.1	0.85	0.90	0.91	110
		404/5JP	292	H	7.3	2.4	2.6	29.9	13	29	1140	68.0	1.25	1775	95.0	95.0	95.4	0.77	0.84	0.88	111

## Close-Coupled Pump - JM - Three Phase - ODP - Rolled Steel

Output		Frame	Full Load Torque (ft.lb)	Locked Rotor Current		Locked Rotor Torque Tl/Tn	Break-down Torque Tb/Tn	Inertia J (lb-ft <sup>2</sup> )	Allowable locked rotor time (s)		Weight (lb)	Sound dB(A)	Service Factor	460 V							
				Code	II/In				Hot	Cold				Rated speed (rpm)	% of full load						Full load current In (A)
															Efficiency			Power Factor			
															50	75	100	50	75	100	
1	0.75	143/5JM	1.48	L	8.3	2.1	3.3	0.0643	22	48	25.4	62.0	1.15	3510	74.0	78.5	80.0	0.66	0.78	0.85	1.38
		143/5JM	2.94	L	8.0	2.9	3.6	0.1101	22	48	34.4	52.0	1.15	1760	81.5	84.0	85.5	0.51	0.65	0.73	1.51
		143/5JM	4.51	K	6.1	2.5	3.0	0.1419	24	53	35.3	49.0	1.15	1150	78.5	81.5	82.5	0.47	0.60	0.69	1.65
1.5	1.1	143/5JM	2.21	K	8.6	2.1	3.3	0.0835	19	42	29.3	62.0	1.15	3510	81.5	84.0	84.0	0.73	0.83	0.89	1.85
		143/5JM	4.42	L	8.7	2.8	3.3	0.1426	15	33	41.9	52.0	1.15	1760	84.0	86.5	86.5	0.56	0.69	0.77	2.07
		182/4JM	6.67	J	6.5	2.0	3.1	0.2178	46	101	56.0	52.0	1.15	1165	84.0	85.5	86.5	0.51	0.63	0.71	2.25
2	1.5	143/5JM	2.95	K	8.9	2.2	3.3	0.1151	14	31	36.8	62.0	1.15	3510	84.0	85.5	85.5	0.77	0.86	0.91	2.42
		143/5JM	5.96	K	7.7	2.6	3.2	0.1168	17	37	39.0	52.0	1.15	1740	85.5	86.5	86.5	0.61	0.74	0.81	2.69
		182/4JM	8.89	J	6.6	2.0	3.0	0.2800	33	73	66.1	52.0	1.15	1165	85.5	86.5	87.5	0.53	0.66	0.73	2.95
3	2.2	143/5JM	4.47	J	8.0	2.3	3.0	0.1279	9	20	39.9	62.0	1.15	3480	84.0	85.5	85.5	0.76	0.86	0.90	3.59
		182/4JM	8.81	K	8.4	2.2	3.3	0.3092	15	33	65.9	55.0	1.15	1765	87.5	88.5	89.5	0.60	0.73	0.80	3.86
		213/5JM	13.2	H	5.9	2.1	2.6	0.8104	39	86	98.3	55.0	1.15	1175	86.5	87.5	88.5	0.56	0.68	0.75	4.16
5	3.7	182/4JM	7.38	J	7.6	1.9	3.0	0.1386	12	26	58.7	65.0	1.15	3510	85.5	86.5	86.5	0.73	0.83	0.88	6.10
		182/4JM	14.7	J	7.2	2.0	3.1	0.4003	12	26	79.8	55.0	1.15	1760	88.5	88.5	89.5	0.63	0.76	0.82	6.33
		213/5JM	22.0	H	5.9	2.2	2.5	1.08	29	64	118	55.0	1.15	1175	88.5	89.5	89.5	0.58	0.70	0.77	6.74
7.5	5.5	182/4JM	11.1	H	7.4	1.8	2.9	0.1818	10	22	69.9	65.0	1.15	3500	88.5	88.5	88.5	0.76	0.85	0.90	8.67
		213/5JM	22.0	H	7.2	2.4	3.2	1.03	13	29	116	59.0	1.15	1770	89.5	90.2	91.0	0.65	0.77	0.82	9.25
		254/6JM	33.1	F	5.1	2.0	2.3	2.00	37	81	187	59.0	1.15	1175	88.5	90.2	90.2	0.56	0.68	0.75	10.2
10	7.5	213/5JM	14.7	H	6.8	2.0	2.8	0.4651	11	24	117	66.0	1.15	3535	88.5	89.5	89.5	0.74	0.84	0.88	12.0
		213/5JM	29.3	H	7.0	2.5	3.5	1.30	14	31	137	59.0	1.15	1770	90.2	91.0	91.7	0.64	0.77	0.83	12.4
		254/6JM	43.9	G	5.3	2.1	2.3	2.50	34	75	209	59.0	1.15	1180	91.0	91.7	91.7	0.56	0.68	0.74	13.9
15	11	213/5JM	22.0	G	6.8	2.1	2.8	0.5512	8	18	131	66.0	1.15	3535	90.2	90.2	90.2	0.77	0.86	0.89	17.2
		254/6JM	43.8	H	6.7	2.4	3.0	1.82	17	37	175	64.0	1.15	1775	91.7	92.4	93.0	0.62	0.73	0.80	18.6
20	15	254/6JM	29.4	G	6.0	1.8	2.4	0.7848	13	29	151	70.0	1.15	3525	90.2	91.0	91.0	0.76	0.83	0.87	23.8
		254/6JM	58.5	G	6.3	2.4	2.9	2.23	15	33	198	64.0	1.15	1770	92.4	92.4	93.0	0.63	0.74	0.81	25.0
25	18.5	254/6JM	36.7	G	6.3	1.8	2.9	0.9155	9	20	174	70.0	1.15	3530	91.0	91.7	91.7	0.73	0.83	0.87	29.1

**Close-Coupled Pump - JM - Three Phase - ODP - Cast Iron**

Output		Frame	Full Load Torque (ft.lb)	Locked Rotor Current		Locked Rotor Torque Tl/Tn	Break-down Torque Tb/Tn	Inertia J (lb-ft <sup>2</sup> )	Allowable locked rotor time (s)		Weight (lb)	Sound dB(A)	Service Factor	460 V							Full load current in (A)
														Rated speed (rpm)	% of full load			Power Factor			
															Efficiency			Power Factor			
HP	KW			Code	ll/in			Hot	Cold					50	75	100	50	75	100		
7.5	5.5	254JM	32.9	H	6.7	2.6	3.0	2.29	16	35	240	59.0	1.25	1180	87.5	89.5	90.2	0.58	0.70	0.77	9.94
10	7.5	254/6JM	43.9	H	6.8	2.3	3.0	3.53	17	37	300	59.0	1.25	1180	90.2	91.0	91.7	0.62	0.74	0.80	12.8
15	11	254JM	43.9	G	6.4	2.4	2.8	2.72	17	37	289	62.0	1.25	1770	91.7	92.4	93.0	0.66	0.78	0.85	17.5
		284JM	65.9	G	6.3	2.6	2.6	4.80	16	35	337	59.0	1.25	1180	91.0	91.7	91.7	0.67	0.77	0.82	18.4
20	15	254JM	29.3	G	6.3	2.0	2.8	0.8718	12	26	240	---	1.25	3535	90.2	91.0	91.0	0.72	0.82	0.85	24.3
		254/6JM	58.7	G	6.4	2.2	2.8	3.13	12	26	320	62.0	1.25	1765	92.4	93.0	93.0	0.69	0.79	0.84	24.1
25	18.5	284/6JM	88.0	G	6.4	2.3	2.6	6.89	15	33	410	59.0	1.25	1177	91.7	92.4	92.4	0.71	0.80	0.84	24.3
		254/6JM	36.6	G	6.5	2.0	2.8	1.13	11	24	276	---	1.25	3535	91.0	91.7	91.7	0.77	0.85	0.88	28.8
		284JM	73.2	G	6.6	2.7	2.8	3.71	17	37	370	64.0	1.25	1770	93.0	93.6	93.6	0.69	0.80	0.84	29.5
30	22	324JM	109	G	6.2	2.1	2.5	7.69	18	40	474	62.0	1.25	1183	91.7	92.4	93.0	0.65	0.76	0.81	30.8
		284JM	43.8	G	6.3	1.8	2.8	1.59	10	22	324	73.0	1.25	3545	90.2	91.7	91.7	0.73	0.82	0.86	35.0
		284/6JM	87.8	G	6.6	2.8	2.8	4.52	18	40	421	64.0	1.25	1770	93.6	94.1	94.1	0.70	0.80	0.84	34.9
40	30	324/6JM	131	G	6.3	2.0	2.4	9.56	17	37	545	62.0	1.25	1182	92.4	93.0	93.6	0.70	0.79	0.82	36.0
		284/6JM	58.5	G	6.5	1.9	2.6	2.02	8	18	370	73.0	1.25	3540	91.7	92.4	92.4	0.76	0.84	0.87	46.8
		324JM	117	G	6.2	2.0	2.4	5.69	13	29	472	66.0	1.25	1775	93.6	94.1	94.1	0.70	0.80	0.84	47.6
50	37	364/5JM	175	G	6.4	2.0	2.3	21.8	22	48	787	68.0	1.25	1185	93.6	94.1	94.1	0.74	0.82	0.85	47.1
		324JM	72.8	G	6.3	2.0	2.2	3.02	14	31	450	75.0	1.25	3560	91.7	93.0	93.0	0.73	0.82	0.85	58.7
		324/6JM	146	G	6.3	2.4	2.4	7.08	11	24	542	66.0	1.25	1775	94.1	94.5	94.5	0.70	0.80	0.84	58.5
60	45	364/5JM	219	G	6.7	2.2	2.4	23.9	15	33	820	68.0	1.25	1185	93.6	94.1	94.1	0.74	0.82	0.85	58.1
		324/6JM	87.3	G	6.3	2.2	2.3	3.82	12	26	514	75.0	1.25	3560	92.4	93.0	93.6	0.73	0.82	0.85	71.0
75	55	364/5JM	175	G	6.5	2.0	2.4	15.6	19	42	785	69.0	1.25	1780	94.5	95.0	95.0	0.73	0.82	0.85	69.9
		364/5JM	109	G	6.6	2.0	2.5	6.40	19	42	736	84.0	1.25	3560	91.7	93.0	93.6	0.77	0.84	0.87	84.8
100	75	364/5JM	218	G	6.8	2.2	2.6	16.8	14	31	811	69.0	1.25	1780	94.5	95.0	95.0	0.73	0.82	0.85	85.5
100	75	364/5JM	146	G	6.6	1.8	2.3	7.20	13	29	774	84.0	1.25	3555	92.4	93.6	93.6	0.77	0.84	0.87	116

## Close-Coupled Pump - JP - Three Phase - ODP - Rolled Steel

Output		Frame	Full Load Torque (ft.lb)	Locked Rotor Current		Locked Rotor Torque Tl/Tn	Break-down Torque Tlb/Tn	Inertia J (lb-ft <sup>2</sup> )	Allowable locked rotor time (s)		Weight (lb)	Sound dB(A)	Service Factor	460 V								
				Code	II/In				Hot	Cold				Rated speed (rpm)	% of full load						Full load current In (A)	
															Efficiency			Power Factor				
															50	75	100	50	75	100		
1	0.75	143/5JP	1.48	L	8.3	2.1	3.3	0.0643	22	48	25.4	62.0	1.15	3510	74.0	78.5	80.0	0.66	0.78	0.85	1.38	
		143/5JP	2.94	L	8.0	2.9	3.6	0.1101	22	48	34.4	52.0	1.15	1760	81.5	84.0	85.5	0.51	0.65	0.73	1.51	
		143/5JP	4.51	K	6.1	2.5	3.0	0.1419	24	53	35.3	49.0	1.15	1150	78.5	81.5	82.5	0.47	0.60	0.69	1.65	
1.5	1.1	143/5JP	2.21	K	8.6	2.1	3.3	0.0835	19	42	29.3	62.0	1.15	3510	81.5	84.0	84.0	0.73	0.83	0.89	1.85	
		143/5JP	4.42	L	8.7	2.8	3.3	0.1426	15	33	41.9	52.0	1.15	1760	84.0	86.5	86.5	0.56	0.69	0.77	2.07	
		182/4JP	6.67	J	6.5	2.0	3.1	0.2178	46	101	56.0	52.0	1.15	1165	84.0	85.5	86.5	0.51	0.63	0.71	2.25	
2	1.5	143/5JP	2.95	K	8.9	2.2	3.3	0.1151	14	31	36.8	62.0	1.15	3510	84.0	85.5	85.5	0.77	0.86	0.91	2.42	
		143/5JP	5.96	K	7.7	2.6	3.2	0.1168	17	37	39.0	52.0	1.15	1740	85.5	86.5	86.5	0.61	0.74	0.81	2.69	
		182/4JP	8.89	J	6.6	2.0	3.0	0.2800	33	73	66.1	52.0	1.15	1165	85.5	86.5	87.5	0.53	0.66	0.73	2.95	
3	2.2	143/5JP	4.47	J	8.0	2.3	3.0	0.1279	9	20	39.9	62.0	1.15	3480	84.0	85.5	85.5	0.76	0.86	0.90	3.59	
		182/4JP	8.81	K	8.4	2.2	3.3	0.3092	15	33	65.9	55.0	1.15	1765	87.5	88.5	89.5	0.60	0.73	0.80	3.86	
		213/5JP	13.2	H	5.9	2.1	2.6	0.8104	39	86	98.3	55.0	1.15	1175	86.5	87.5	88.5	0.56	0.68	0.75	4.16	
5	3.7	182/4JP	7.38	J	7.6	1.9	3.0	0.1386	12	26	58.7	65.0	1.15	3510	85.5	86.5	86.5	0.73	0.83	0.88	6.10	
		182/4JP	14.7	J	7.2	2.0	3.1	0.4003	12	26	79.8	55.0	1.15	1760	88.5	88.5	89.5	0.63	0.76	0.82	6.33	
		213/5JP	22.0	H	5.9	2.2	2.5	1.08	29	64	118	55.0	1.15	1175	88.5	89.5	89.5	0.58	0.70	0.77	6.74	
7.5	5.5	182/4JP	11.1	H	7.4	1.8	2.9	0.1818	10	22	69.9	65.0	1.15	3500	88.5	88.5	88.5	0.76	0.85	0.90	8.67	
		213/5JP	22.0	H	7.2	2.4	3.2	1.03	13	29	116	59.0	1.15	1770	89.5	90.2	91.0	0.65	0.77	0.82	9.25	
		254/6JP	33.1	F	5.1	2.0	2.3	2.00	37	81	187	59.0	1.15	1175	88.5	90.2	90.2	0.56	0.68	0.75	10.2	
10	7.5	213/5JP	14.7	H	6.8	2.0	2.8	0.4651	11	24	117	66.0	1.15	3535	88.5	89.5	89.5	0.74	0.84	0.88	12.0	
		213/5JP	29.3	H	7.0	2.5	3.5	1.30	14	31	137	59.0	1.15	1770	90.2	91.0	91.7	0.64	0.77	0.83	12.4	
		254/6JP	43.9	G	5.3	2.1	2.3	2.50	34	75	209	59.0	1.15	1180	91.0	91.7	91.7	0.56	0.68	0.74	13.9	
15	11	213/5JP	22.0	G	6.8	2.1	2.8	0.5512	8	18	131	66.0	1.15	3535	90.2	90.2	90.2	0.77	0.86	0.89	17.2	
		254/6JP	43.8	H	6.7	2.4	3.0	1.82	17	37	175	64.0	1.15	1775	91.7	92.4	93.0	0.62	0.73	0.80	18.6	
20	15	254/6JP	29.4	G	6.0	1.8	2.4	0.7848	13	29	151	70.0	1.15	3525	90.2	91.0	91.0	0.76	0.83	0.87	23.8	
		254/6JP	58.5	G	6.3	2.4	2.9	2.23	15	33	198	64.0	1.15	1770	92.4	92.4	93.0	0.63	0.74	0.81	25.0	
25	18.5	254/6JP	36.7	G	6.3	1.8	2.9	0.9155	9	20	174	70.0	1.15	3530	91.0	91.7	91.7	0.73	0.83	0.87	29.1	

## Close-Coupled Pump - JP - Three Phase - ODP - Cast Iron

Output		Frame	Full Load Torque (ft.lb)	Locked Rotor Current		Locked Rotor Torque Tl/Tn	Break-down Torque Tb/Tn	Inertia J (lb-ft <sup>2</sup> )	Allowable locked rotor time (s)		Weight (lb)	Sound dB(A)	Service Factor	460 V							Full load current In (A)
														Rated speed (rpm)	% of full load						
															Efficiency			Power Factor			
															50	75	100	50	75	100	
HP	kW	Code	II/In	Hot	Cold																
7.5	5.5	254JP	32.9	H	6.7	2.6	3.0	2.29	16	35	240	59.0	1.25	1180	87.5	89.5	90.2	0.58	0.70	0.77	9.94
10	7.5	254/6JP	43.9	H	6.8	2.3	3.0	3.53	17	37	300	59.0	1.25	1180	90.2	91.0	91.7	0.62	0.74	0.80	12.8
15	11	254JP	43.9	G	6.4	2.4	2.8	2.72	17	37	289	62.0	1.25	1770	91.7	92.4	93.0	0.66	0.78	0.85	17.5
		284JP	65.9	G	6.3	2.6	2.6	4.80	16	35	337	59.0	1.25	1180	91.0	91.7	91.7	0.67	0.77	0.82	18.4
20	15	254JP	29.3	G	6.3	2.0	2.8	0.8718	12	26	240	---	1.25	3535	90.2	91.0	91.0	0.72	0.82	0.85	24.3
		254/6JP	58.7	G	6.4	2.2	2.8	3.13	12	26	320	62.0	1.25	1765	92.4	93.0	93.0	0.69	0.79	0.84	24.1
		284/6JP	88.0	G	6.4	2.3	2.6	6.89	15	33	410	59.0	1.25	1177	91.7	92.4	92.4	0.71	0.80	0.84	24.3
25	18.5	254/6JP	36.6	G	6.5	2.0	2.8	1.13	11	24	276	---	1.25	3535	91.0	91.7	91.7	0.77	0.85	0.88	28.8
		284JP	73.2	G	6.6	2.7	2.8	3.71	17	37	370	64.0	1.25	1770	93.0	93.6	93.6	0.69	0.80	0.84	29.5
		324JP	109	G	6.2	2.1	2.5	7.69	18	40	474	62.0	1.25	1183	91.7	92.4	93.0	0.65	0.76	0.81	30.8
30	22	284JP	43.8	G	6.3	1.8	2.8	1.59	10	22	324	73.0	1.25	3545	90.2	91.7	91.7	0.73	0.82	0.86	35.0
		284/6JP	87.8	G	6.6	2.8	2.8	4.52	18	40	421	64.0	1.25	1770	93.6	94.1	94.1	0.70	0.80	0.84	34.9
		324/6JP	131	G	6.3	2.0	2.4	9.56	17	37	545	62.0	1.25	1182	92.4	93.0	93.6	0.70	0.79	0.82	36.0
40	30	284/6JP	58.5	G	6.5	1.9	2.6	2.02	8	18	370	73.0	1.25	3540	91.7	92.4	92.4	0.76	0.84	0.87	46.8
		324JP	117	G	6.2	2.0	2.4	5.69	13	29	472	66.0	1.25	1775	93.6	94.1	94.1	0.70	0.80	0.84	47.6
		364/5JP	175	G	6.4	2.0	2.3	21.8	22	48	787	68.0	1.25	1185	93.6	94.1	94.1	0.74	0.82	0.85	47.1
50	37	324JP	72.8	G	6.3	2.0	2.2	3.02	14	31	450	75.0	1.25	3560	91.7	93.0	93.0	0.73	0.82	0.85	58.7
		324/6JP	146	G	6.3	2.4	2.4	7.08	11	24	542	66.0	1.25	1775	94.1	94.5	94.5	0.70	0.80	0.84	58.5
		364/5JP	219	G	6.7	2.2	2.4	23.9	15	33	820	68.0	1.25	1185	93.6	94.1	94.1	0.74	0.82	0.85	58.1
60	45	324/6JP	87.3	G	6.3	2.2	2.3	3.82	12	26	514	75.0	1.25	3560	92.4	93.0	93.6	0.73	0.82	0.85	71.0
		364/5JP	175	G	6.5	2.0	2.4	15.6	19	42	785	69.0	1.25	1780	94.5	95.0	95.0	0.73	0.82	0.85	69.9
		404/5JP	262	G	6.7	2.4	2.5	29.4	16	35	975	68.0	1.25	1185	91.7	94.5	94.5	0.73	0.82	0.85	70.3
75	55	364/5JP	109	G	6.6	2.0	2.5	6.40	19	42	736	84.0	1.25	3560	91.7	93.0	93.6	0.77	0.84	0.87	84.8
		364/5JP	218	G	6.8	2.2	2.6	16.8	14	31	811	69.0	1.25	1780	94.5	95.0	95.0	0.73	0.82	0.85	85.5
		404/5JP	328	G	6.7	2.4	2.7	31.6	11	24	1008	68.0	1.25	1185	94.1	94.5	94.5	0.72	0.81	0.85	85.9
100	75	364/5JP	146	G	6.6	1.8	2.3	7.20	13	29	774	84.0	1.25	3555	92.4	93.6	93.6	0.77	0.84	0.87	116
		404/5JP	291	G	6.8	2.0	2.5	21.9	12	26	992	69.0	1.25	1780	95.0	95.4	95.4	0.75	0.83	0.86	115
125	90	404/5JP	182	G	6.8	1.7	2.6	8.23	12	26	886	84.0	1.25	3557	93.0	94.1	94.1	0.79	0.86	0.88	136
		404/5JP	364	G	6.9	2.7	2.6	25.5	10	22	1072	69.0	1.25	1780	95.0	95.4	95.4	0.75	0.83	0.86	138
150	110	404/5JP	219	G	6.6	2.0	2.5	8.80	9	20	931	84.0	1.25	3552	93.6	94.1	94.1	0.79	0.86	0.88	167

## W40 - Fire Pump - Three Phase - ODP - High Efficiency

Output		Frame	Full Load Torque (ft.lb)	Locked Rotor Current		Locked Rotor Torque Tl/Tn	Break-down Torque Tb/Tn	Inertia J (lb-ft <sup>2</sup> )	Allowable locked rotor time (s)		Weight (lb)	Sound dB(A)	Service Factor	460 V								
				Code	ll/n				Hot	Cold				Rated speed (rpm)	% of full load						Full load current In (A)	
															Efficiency			Power Factor				
															50	75	100	50	75	100		
7.5	5.5	254T	33.0	H	6.4	2.0	2.5	2.29	25	55	240	---	1.15	1178	86.5	88.5	88.5	0.64	0.75	0.81	9.63	
10	7.5	254/6T	44.1	H	6.3	2.3	2.6	3.12	24	53	284	---	1.15	1175	87.5	89.5	90.2	0.65	0.76	0.82	12.7	
15	11	254T	44.0	G	6.1	2.0	2.5	2.14	18	40	258	---	1.15	1765	89.5	91.0	91.0	0.67	0.78	0.83	18.3	
		284T	66.1	G	6.2	2.2	2.3	4.48	23	51	326	---	1.15	1175	89.5	90.2	90.2	0.71	0.81	0.85	18.0	
20	15	254T	29.4	G	5.9	1.7	2.4	0.8718	16	35	238	---	1.15	3530	89.5	90.2	90.2	0.77	0.85	0.86	24.3	
		254/6T	58.9	G	5.8	2.3	2.7	2.63	13	29	293	---	1.15	1760	90.2	91.0	91.0	0.70	0.80	0.84	24.6	
		284/6T	88.2	G	5.8	2.5	2.3	5.45	17	37	366	---	1.15	1175	90.2	91.0	91.0	0.71	0.81	0.84	24.6	
25	18.5	254/6T	36.7	G	6.1	1.9	2.6	0.9592	15	33	260	---	1.15	3530	89.5	91.0	91.0	0.72	0.82	0.86	29.7	
		284T	73.4	G	6.0	2.3	2.3	2.88	23	51	331	---	1.15	1765	91.0	91.7	91.7	0.68	0.79	0.84	30.1	
		324T	110	G	5.9	1.8	2.2	6.66	20	44	445	---	1.15	1180	91.0	91.7	91.7	0.67	0.77	0.82	30.9	
30	22	284TS	43.9	G	6.2	1.7	2.6	1.59	16	35	324	---	1.15	3540	90.2	91.0	91.0	0.74	0.83	0.87	34.9	
		284/6T	88.1	G	6.3	2.5	2.5	3.70	22	48	381	---	1.15	1765	91.7	92.4	92.4	0.71	0.80	0.84	35.6	
		324/6T	132	G	6.0	1.8	2.2	7.50	16	35	485	---	1.15	1180	91.0	91.7	92.4	0.67	0.77	0.82	36.4	
40	30	284/6TS	58.6	G	6.1	1.7	2.5	1.91	10	22	359	---	1.15	3535	91.0	91.7	91.7	0.78	0.86	0.87	47.2	
		324T	117	G	6.0	1.8	2.1	5.37	20	44	459	---	1.15	1775	92.4	93.0	93.0	0.72	0.81	0.84	48.2	
		364/5T	175	G	6.1	1.5	2.0	18.5	28	62	736	---	1.15	1185	92.4	93.0	93.0	0.76	0.84	0.86	47.1	
50	37	324TS	72.9	F	5.8	1.7	2.0	3.01	20	44	450	---	1.15	3555	91.7	92.4	92.4	0.78	0.84	0.86	58.4	
		324/6T	146	G	6.0	2.4	2.3	5.98	15	33	498	---	1.15	1775	92.4	93.0	93.0	0.67	0.78	0.83	60.2	
		364/5T	219	G	6.2	2.0	2.1	20.7	20	44	770	---	1.15	1185	92.4	93.0	93.0	0.76	0.84	0.86	58.1	
60	45	324/6TS	87.4	F	5.9	1.8	2.0	3.41	17	37	490	---	1.15	3555	92.4	93.0	93.0	0.78	0.84	0.86	70.6	
		364/5T	175	G	6.1	1.8	2.3	12.8	22	48	723	---	1.15	1777	93.0	93.6	93.6	0.73	0.82	0.85	71.0	
		404/5T	263	G	6.1	1.9	2.0	25.0	17	37	904	---	1.15	1180	93.0	93.6	93.6	0.78	0.85	0.86	70.2	
75	55	364/5TS	109	F	5.8	1.6	2.1	5.60	26	57	703	---	1.15	3555	91.0	92.4	93.0	0.80	0.85	0.87	85.3	
		364/5T	219	G	6.3	1.8	2.3	15.2	19	42	774	---	1.15	1775	93.6	94.1	94.1	0.75	0.83	0.86	85.3	
		404/5T	329	G	6.3	1.8	2.1	27.2	14	31	939	---	1.15	1180	93.0	93.6	93.6	0.76	0.82	0.86	85.8	
100	75	364/5TS	146	F	5.7	1.7	2.3	6.80	15	33	756	---	1.15	3550	92.4	93.0	93.0	0.80	0.85	0.88	115	
		404/5T	292	G	6.2	2.2	2.5	17.5	14	31	895	---	1.15	1775	93.6	94.1	94.1	0.76	0.84	0.86	116	
		444/5T	436	G	5.8	2.0	2.2	60.6	24	53	1358	---	1.15	1187	93.6	94.1	94.1	0.66	0.77	0.81	124	
125	90	404/5TS	183	G	6.6	1.8	2.3	8.03	15	33	878	84.0	1.15	3545	93.0	93.6	93.6	0.80	0.86	0.88	137	
		404/5T	365	G	6.5	2.1	2.3	21.5	12	26	983	---	1.15	1775	94.1	94.5	94.5	0.76	0.84	0.86	139	
		444/5T	547	G	6.1	1.7	2.3	63.2	16	35	1387	---	1.15	1185	93.0	94.1	94.1	0.65	0.76	0.81	148	
150	110	404/5TS	219	G	6.6	1.7	2.2	9.20	11	24	931	---	1.15	3550	93.0	93.6	93.6	0.84	0.89	0.90	164	
		444/5T	437	G	6.4	1.9	2.0	42.3	20	44	1365	---	1.15	1780	94.5	95.0	95.0	0.77	0.84	0.86	169	
		444/5T	656	G	6.0	1.7	2.2	76.4	15	33	1530	---	1.15	1185	93.6	94.5	94.5	0.67	0.77	0.81	180	
200	150	444/5TS	291	F	5.8	1.4	2.1	21.8	27	59	1341	---	1.15	3565	93.0	94.1	94.5	0.82	0.87	0.89	224	
		444/5T	582	G	6.2	1.8	2.1	42.3	20	44	1365	---	1.15	1780	94.5	95.0	95.0	0.77	0.83	0.86	230	
250	185	444/5TS	363	G	6.4	1.3	2.2	23.8	20	44	1405	---	1.15	3570	93.6	94.5	94.5	0.77	0.84	0.87	282	
		444/5T	728	G	6.4	1.9	2.2	51.5	17	37	1513	---	1.15	1780	95.0	95.4	95.4	0.77	0.84	0.86	283	
300	220	444/5TS	437	F	5.9	1.3	2.0	28.1	16	35	1524	---	1.15	3560	94.1	94.5	95.0	0.85	0.89	0.89	327	
		447/9T	873	F	6.0	2.2	2.3	56.1	10	22	2150	78.0	1.15	1780	95.4	95.4	95.5	0.78	0.84	0.86	336	

continued on next page

## W40 - Fire Pump - Three Phase - ODP - High Efficiency - *continued*

Output		Frame	Full Load Torque (ft.lb)	Locked Rotor Current		Locked Rotor Torque Tl/Tn	Break-down Torque Tb/Tn	Inertia J (lb-ft <sup>2</sup> )	Allowable locked rotor time (s)		Weight (lb)	Sound dB(A)	Service Factor	460 V							
														Rated speed (rpm)	% of full load						Full load current In (A)
															Efficiency			Power Factor			
															50	75	100	50	75	100	
HP	KW	Code	II/In	Hot	Cold																
350	260	447/9TS	509	G	6.5	1.7	2.5	35.7	14	31	1874	87.0	1.15	3565	94.5	95.0	95.0	0.83	0.88	0.89	386
		447/9T	1019	F	6.0	2.4	2.6	66.1	10	22	2370	78.0	1.15	1780	95.4	95.8	95.5	0.79	0.85	0.87	393
400	300	447/9TS	581	F	6.0	1.5	2.3	39.1	14	31	1951	87.0	1.15	3565	95.0	95.4	95.4	0.83	0.88	0.89	443
		447/9T	1164	H	7.7	2.6	2.7	77.6	9	20	2591	78.0	1.15	1780	95.8	95.8	95.5	0.81	0.87	0.89	443
450	330	447/9TS	654	F	6.0	1.6	2.2	43.6	14	31	2139	87.0	1.15	3565	95.0	95.4	95.8	0.84	0.89	0.90	480
500	370	447/9TS	727	F	6.0	1.6	2.3	46.9	14	31	2194	87.0	1.15	3565	95.0	95.4	95.8	0.84	0.89	0.90	539



## W40 - Fire Pump - JM - Three Phase - ODP - Cast Iron - High Efficiency

Output		Frame	Full Load Torque (ft.lb)	Locked Rotor Current		Locked Rotor Torque Tl/Tn	Break-down Torque Tl/Tn	Inertia J (lb-ft <sup>2</sup> )	Allowable locked rotor time (s)		Weight (lb)	Sound dB(A)	Service Factor	460 V							
				Code	ll/ln				Hot	Cold				Rated speed (rpm)	% of full load						Full load current In (A)
															Efficiency			Power Factor			
															50	75	100	50	75	100	
7.5	5.5	254JM	33.0	H	6.4	2.0	2.5	2.29	25	55	240	---	1.15	1178	86.5	88.5	88.5	0.64	0.75	0.81	9.63
10	7.5	254/6JM	44.1	H	6.3	2.3	2.6	3.12	24	53	284	---	1.15	1175	87.5	89.5	90.2	0.65	0.76	0.82	12.7
15	11	254JM	44.0	G	6.1	2.0	2.5	2.14	18	40	258	---	1.15	1765	89.5	91.0	91.0	0.67	0.78	0.83	18.3
		284JM	66.1	G	6.2	2.2	2.3	4.48	23	51	326	---	1.15	1175	89.5	90.2	90.2	0.71	0.81	0.85	18.0
20	15	254JM	29.4	G	5.9	1.7	2.4	0.8718	16	35	238	---	1.15	3530	89.5	90.2	90.2	0.77	0.85	0.86	24.3
		254/6JM	58.9	G	5.8	2.3	2.7	2.63	13	29	293	---	1.15	1760	90.2	91.0	91.0	0.70	0.80	0.84	24.6
		284/6JM	88.2	G	5.8	2.5	2.3	5.45	17	37	366	---	1.15	1175	90.2	91.0	91.0	0.71	0.81	0.84	24.6
25	18.5	254/6JM	36.7	G	6.1	1.9	2.6	0.9592	15	33	260	---	1.15	3530	89.5	91.0	91.0	0.72	0.82	0.86	29.7
		284JM	73.4	G	6.0	2.3	2.3	2.88	23	51	331	---	1.15	1765	91.0	91.7	91.7	0.68	0.79	0.84	30.1
		324JM	110	G	5.9	1.8	2.2	6.66	20	44	445	---	1.15	1180	91.0	91.7	91.7	0.67	0.77	0.82	30.9
30	22	284JM	43.9	G	6.2	1.7	2.6	1.59	16	35	324	---	1.15	3540	90.2	91.0	91.0	0.74	0.83	0.87	34.9
		284/6JM	88.1	G	6.3	2.5	2.5	3.70	22	48	381	---	1.15	1765	91.7	92.4	92.4	0.71	0.80	0.84	35.6
		324/6JM	132	G	6.0	1.8	2.2	7.50	16	35	485	---	1.15	1180	91.0	91.7	92.4	0.67	0.77	0.82	36.4
40	30	284/6JM	58.6	G	6.1	1.7	2.5	1.91	10	22	359	---	1.15	3535	91.0	91.7	91.7	0.78	0.86	0.87	47.2
		324JM	117	G	6.0	1.8	2.1	5.37	20	44	459	---	1.15	1775	92.4	93.0	93.0	0.72	0.81	0.84	48.2
		364/5JM	175	G	6.1	1.5	2.0	18.5	28	62	736	---	1.15	1185	92.4	93.0	93.0	0.76	0.84	0.86	47.1
50	37	324JM	72.9	F	5.8	1.7	2.0	3.01	20	44	450	---	1.15	3555	91.7	92.4	92.4	0.78	0.84	0.86	58.4
		324/6JM	146	G	6.0	2.4	2.3	5.98	15	33	498	---	1.15	1775	92.4	93.0	93.0	0.67	0.78	0.83	60.2
		364/5JM	219	G	6.2	2.0	2.1	20.7	20	44	770	---	1.15	1185	92.4	93.0	93.0	0.76	0.84	0.86	58.1
60	45	324/6JM	87.4	F	5.9	1.8	2.0	3.41	17	37	490	---	1.15	3555	92.4	93.0	93.0	0.78	0.84	0.86	70.6
		364/5JM	175	G	6.1	1.8	2.3	12.8	22	48	723	---	1.15	1777	93.0	93.6	93.6	0.73	0.82	0.85	71.0
75	55	364/5JM	109	F	5.8	1.6	2.1	5.60	26	57	703	---	1.15	3555	91.0	92.4	93.0	0.80	0.85	0.87	85.3
		364/5JM	219	G	6.3	1.8	2.3	15.2	19	42	774	---	1.15	1775	93.6	94.1	94.1	0.75	0.83	0.86	85.3
100	75	364/5JM	146	F	5.7	1.7	2.3	6.80	15	33	756	---	1.15	3550	92.4	93.0	93.0	0.80	0.85	0.88	115

## W40 - Fire Pump - JP - Three Phase - ODP - Cast Iron - High Efficiency

Output		Frame	Full Load Torque (ft.lb)	Locked Rotor Current		Locked Rotor Torque Tl/Tn	Break-down Torque Tb/Tn	Inertia J (lb-ft <sup>2</sup> )	Allowable locked rotor time (s)		Weight (lb)	Sound dB(A)	Service Factor	460 V							Full load current In (A)
														Rated speed (rpm)	% of full load						
															Efficiency			Power Factor			
															50	75	100	50	75	100	
HP	kW	Code	II/In	Hot	Cold																
7.5	5.5	254JP	33.0	H	6.4	2.0	2.5	2.29	25	55	240	---	1.15	1178	86.5	88.5	88.5	0.64	0.75	0.81	9.63
10	7.5	254/6JP	44.1	H	6.3	2.3	2.6	3.12	24	53	284	---	1.15	1175	87.5	89.5	90.2	0.65	0.76	0.82	12.7
15	11	254JP	44.0	G	6.1	2.0	2.5	2.14	18	40	258	---	1.15	1765	89.5	91.0	91.0	0.67	0.78	0.83	18.3
		284JP	66.1	G	6.2	2.2	2.3	4.48	23	51	326	---	1.15	1175	89.5	90.2	90.2	0.71	0.81	0.85	18.0
20	15	254JP	29.4	G	5.9	1.7	2.4	0.8718	16	35	238	---	1.15	3530	89.5	90.2	90.2	0.77	0.85	0.86	24.3
		254/6JP	58.9	G	5.8	2.3	2.7	2.63	13	29	293	---	1.15	1760	90.2	91.0	91.0	0.70	0.80	0.84	24.6
		284/6JP	88.2	G	5.8	2.5	2.3	5.45	17	37	366	---	1.15	1175	90.2	91.0	91.0	0.71	0.81	0.84	24.6
25	18.5	254/6JP	36.7	G	6.1	1.9	2.6	0.9592	15	33	260	---	1.15	3530	89.5	91.0	91.0	0.72	0.82	0.86	29.7
		284JP	73.4	G	6.0	2.3	2.3	2.88	23	51	331	---	1.15	1765	91.0	91.7	91.7	0.68	0.79	0.84	30.1
		324JP	110	G	5.9	1.8	2.2	6.66	20	44	445	---	1.15	1180	91.0	91.7	91.7	0.67	0.77	0.82	30.9
30	22	284JP	43.9	G	6.2	1.7	2.6	1.59	16	35	324	---	1.15	3540	90.2	91.0	91.0	0.74	0.83	0.87	34.9
		284/6JP	88.1	G	6.3	2.5	2.5	3.70	22	48	381	---	1.15	1765	91.7	92.4	92.4	0.71	0.80	0.84	35.6
		324/6JP	132	G	6.0	1.8	2.2	7.50	16	35	485	---	1.15	1180	91.0	91.7	92.4	0.67	0.77	0.82	36.4
40	30	284/6JP	58.6	G	6.1	1.7	2.5	1.91	10	22	359	---	1.15	3535	91.0	91.7	91.7	0.78	0.86	0.87	47.2
		324JP	117	G	6.0	1.8	2.1	5.37	20	44	459	---	1.15	1775	92.4	93.0	93.0	0.72	0.81	0.84	48.2
		364/5JP	175	G	6.1	1.5	2.0	18.5	28	62	736	---	1.15	1185	92.4	93.0	93.0	0.76	0.84	0.86	47.1
50	37	324JP	72.9	F	5.8	1.7	2.0	3.01	20	44	450	---	1.15	3555	91.7	92.4	92.4	0.78	0.84	0.86	58.4
		324/6JP	146	G	6.0	2.4	2.3	5.98	15	33	498	---	1.15	1775	92.4	93.0	93.0	0.67	0.78	0.83	60.2
		364/5JP	219	G	6.2	2.0	2.1	20.7	20	44	770	---	1.15	1185	92.4	93.0	93.0	0.76	0.84	0.86	58.1
60	45	324/6JP	87.4	F	5.9	1.8	2.0	3.41	17	37	490	---	1.15	3555	92.4	93.0	93.0	0.78	0.84	0.86	70.6
		364/5JP	175	G	6.1	1.8	2.3	12.8	22	48	723	---	1.15	1777	93.0	93.6	93.6	0.73	0.82	0.85	71.0
		404/5JP	263	G	6.1	1.9	2.0	25.0	17	37	904	---	1.15	1180	93.0	93.6	93.6	0.78	0.85	0.86	70.2
75	55	364/5JP	109	F	5.8	1.6	2.1	5.60	26	57	703	---	1.15	3555	91.0	92.4	93.0	0.80	0.85	0.87	85.3
		364/5JP	219	G	6.3	1.8	2.3	15.2	19	42	774	---	1.15	1775	93.6	94.1	94.1	0.75	0.83	0.86	85.3
		404/5JP	329	G	6.3	1.8	2.1	27.2	14	31	939	---	1.15	1180	93.0	93.6	93.6	0.76	0.82	0.86	85.8
100	75	364/5JP	146	F	5.7	1.7	2.3	6.80	15	33	756	---	1.15	3550	92.4	93.0	93.0	0.80	0.85	0.88	115
		404/5JP	292	G	6.2	2.2	2.5	17.5	14	31	895	---	1.15	1775	93.6	94.1	94.1	0.76	0.84	0.86	116
125	90	404/5JP	183	G	6.6	1.8	2.3	8.03	15	33	878	84.0	1.15	3545	93.0	93.6	93.6	0.80	0.86	0.88	137
		404/5JP	365	G	6.5	2.1	2.3	21.5	12	26	983	---	1.15	1775	94.1	94.5	94.5	0.76	0.84	0.86	139
150	110	404/5JP	219	G	6.6	1.7	2.2	9.20	11	24	931	---	1.15	3550	93.0	93.6	93.6	0.84	0.89	0.90	164

## Metric Motors - Aluminum Frame

Output		Frame	Full Load Torque (ft.lb)	Locked Rotor Current Code	Locked Rotor Torque Tl/Tn	Break-down Torque T <sub>b</sub> /T <sub>n</sub>	Inertia J (lb-ft <sup>2</sup> )	Allowable locked rotor time (s)		Weight (lb)	Sound dB(A)	460 V									
								Hot	Cold			Rated speed (rpm)	% of full load						Full load current (A)		
													Efficiency			Power Factor					
KW	HP												50	75	100	50	75	100			
0.12	0.16	63	0.485	5.2	2.6	3	0.0104	53	117	11.0	44	1710	57.5	64.0	66.0	0.50	0.62	0.71	0.321		
		63	0.242	6.4	4.5	4.6	0.0033	37	81	11.0	52	3430	55.0	62.0	64.0	0.54	0.65	0.73	0.322		
		63	0.727	3.5	2.5	2.8	0.0157	56	123	14.3	43	1140	52.0	59.0	64.0	0.35	0.45	0.52	0.453		
		71	1.00	2.5	1.8	2.4	0.0223	50	110	22.1	41	825	46.0	52.5	59.5	0.30	0.37	0.46	0.550		
0.18	0.25	63	0.760	5.7	2.8	3.3	0.0145	40	88	13.2	44	1705	62.0	66.0	69.5	0.50	0.60	0.69	0.471		
		63	0.379	6.3	4.4	4.4	0.0038	28	62	12.1	52	3415	57.5	64.0	68.0	0.54	0.66	0.74	0.449		
		80	1.56	3.8	2.4	2.9	0.0681	56	123	24.3	42	830	50.5	60.0	64.0	0.38	0.48	0.59	0.598		
		71	1.17	3.7	2.3	2.7	0.0221	50	110	20.9	43	1110	57.5	59.5	67.5	0.35	0.44	0.53	0.632		
0.25	0.33	71	0.994	5.3	2.6	2.8	0.0157	40	88	14.3	43	1720	70.0	72.0	73.4	0.47	0.60	0.69	0.620		
		80	1.47	5.1	2.1	3.1	0.0686	25	55	26.5	47	1165	64.1	70.5	71.4	0.43	0.55	0.65	0.676		
		63	0.501	6.6	4.8	4.7	0.0047	23	51	13.2	56	3415	64.0	68.0	69.5	0.53	0.65	0.74	0.610		
		80	1.99	4.3	2.5	3	0.0802	30	66	26.5	42	860	67.5	68.0	68.5	0.37	0.48	0.57	0.804		
0.37	0.5	71	1.51	5.8	3.4	3.5	0.0195	55	121	16.5	43	1710	70.0	75.0	78.2	0.47	0.58	0.67	0.886		
		71	0.753	7.0	3.1	3.3	0.0095	12	26	16.5	56	3440	70.0	73.4	73.4	0.64	0.76	0.82	0.772		
		90S/L	2.98	4.6	2.3	3.1	0.1305	30	66	35.3	43	870	66.5	71.5	72.0	0.37	0.47	0.56	1.15		
		80	2.27	4.9	2.4	2.8	0.0600	28	62	22.1	43	1140	66.0	70.0	75.3	0.47	0.60	0.70	0.881		
0.55	0.75	90S	3.34	6.4	2.6	3.4	0.1303	35	77	41.9	49	1165	78.0	81.5	81.7	0.45	0.58	0.67	1.26		
		80	2.26	7.3	3.4	3.8	0.0605	22	48	22.1	44	1720	77.0	80.0	81.1	0.60	0.73	0.78	1.09		
		71	1.14	7.3	3.7	3.9	0.0112	17	37	15.4	56	3415	74.0	75.5	76.8	0.66	0.78	0.84	1.07		
		90S/L	4.52	4.5	2	2.5	0.1566	29	64	44.1	43	860	70.0	73.0	74.0	0.41	0.53	0.62	1.50		
0.75	1	90S/L	2.94	8.6	2.8	3.9	0.1163	22	48	36.4	49	1760	80.0	84.5	85.0	0.52	0.66	0.75	1.48		
		90S/L	4.49	6.4	3	3.5	0.1561	36	79	48.5	49	1155	77.0	81.5	82.5	0.46	0.59	0.68	1.68		
		80	1.50	8.0	4.9	5	0.0180	32	70	25.4	59	3450	75.5	80.0	81.5	0.62	0.74	0.81	1.43		
		100L	6.02	4.8	2	2.7	0.3014	61	134	57.3	50	860	70.0	74.0	75.5	0.38	0.50	0.59	2.11		
1.1	1.5	90S/L	4.43	8.5	2.9	3.5	0.1305	15	33	37.5	51	1755	80.0	84.0	86.5	0.57	0.70	0.78	2.05		
		80	2.25	8.0	5.3	5.2	0.0356	27	59	27.6	59	3450	78.5	81.5	84.0	0.62	0.74	0.81	2.03		
		100L	9.04	4.9	2.2	2.7	0.3393	42	92	62.8	50	860	74.0	75.5	78.5	0.38	0.50	0.59	2.98		
1.5	2	90S/L	5.90	8.3	3	4	0.1566	14	31	43.0	49	1755	82.5	85.5	86.5	0.56	0.69	0.78	2.79		
		90S/L	2.97	8.4	4.1	4.4	0.0475	16	35	34.2	62	3485	80.0	82.5	85.5	0.64	0.75	0.82	2.69		
		112M	12.0	5.7	2.8	3.3	0.5648	38	84	79.4	46	865	77.0	80.0	84.0	0.44	0.57	0.64	3.50		
2.2	3	100L	8.88	9.0	3.8	3.7	0.2136	20	44	59.5	---	1750	86.6	88.2	89.5	0.54	0.67	0.75	4.11		
		132S	13.2	6.1	1.8	3.1	1.17	50	110	126	55	1175	84.0	87.5	89.5	0.49	0.62	0.70	4.41		
		112M	8.83	7.7	2.2	3.4	0.3393	33	73	79.4	56	1760	85.5	87.5	89.5	0.59	0.72	0.79	3.91		
		90S/L	4.47	8.4	4.3	4.6	0.0617	14	31	44.1	62	3480	84.0	85.5	86.5	0.64	0.76	0.83	3.85		
		132S	17.9	7.4	2.5	2.9	1.64	32	70	139	48	870	82.0	84.0	85.5	0.47	0.60	0.68	4.75		
		132S	17.7	6.3	1.8	2.9	1.07	68	150	130	55	1170	85.5	88.5	89.5	0.49	0.62	0.70	6.01		
3	4	132M	17.7	6.3	1.8	2.9	1.07	68	150	132	55	1170	85.5	88.5	89.5	0.49	0.62	0.70	6.01		
		100L	5.90	9.2	3.8	5	0.1519	18	40	60.6	67	3510	82.5	86.5	88.5	0.68	0.79	0.85	5.01		
		100L	11.9	8.6	4.6	4.8	0.2848	18	40	82.7	54	1740	84.0	86.5	89.5	0.59	0.71	0.79	5.33		
		132M	23.8	7.5	3.2	3.4	1.99	26	57	148	48	870	83.5	85.0	86.5	0.45	0.58	0.67	6.50		

continued on next page



Metric Motors Aluminum Frame - *continued*

Output		Frame	Full Load Torque (ft.lb)	Locked Rotor Current Code I <sub>L</sub> /I <sub>n</sub>	Locked Rotor Torque T <sub>L</sub> /T <sub>n</sub>	Break-down Torque T <sub>b</sub> /T <sub>n</sub>	Inertia J (lb-ft <sup>2</sup> )	Allowable locked rotor time (s)		Weight (lb)	Sound dB(A)	460 V							Full load current I <sub>n</sub> (A)
								Hot	Cold			Rated speed (rpm)	% of full load			Power Factor			
													50	75	100	50	75	100	
4	5.5	112M	16.2	8.0	2.5	3.5	0.4312	19	42	83.8	56	1755	87.5	89.5	89.5	0.58	0.70	0.77	7.28
		132M	24.5	6.6	1.9	3	1.34	43	95	128	52	1165	85.5	88.5	89.5	0.50	0.63	0.71	7.90
		112M	8.13	8.6	3.1	4.4	0.1898	24	53	79.4	64	3505	85.5	87.5	88.5	0.67	0.79	0.85	6.67
5.5	7.5	132S	22.0	10.1	2.6	4.3	1.25	18	40	139	56	1765	88.5	91.0	91.7	0.65	0.77	0.83	9.07
		132S	11.0	8.6	2.9	4.1	0.5126	29	64	130	67	3530	85.5	87.5	89.5	0.70	0.81	0.86	8.97
7.5	10	132M	29.3	9.0	2.7	4.3	1.52	16	35	154	56	1770	90.2	91.0	91.7	0.65	0.77	0.83	12.2
		132S	14.7	9.1	3.3	4.4	0.5980	21	46	139	67	3535	86.5	89.5	90.2	0.68	0.79	0.85	12.3
9.2	12.5	132M	18.3	9.0	3.1	3.9	0.7261	20	44	154	67	3535	88.5	90.2	91.0	0.73	0.83	0.87	14.6

## Metric Motors - Cast Iron Frame

Output		Frame	Full Load Torque (ft.lb)	Locked Rotor Current Code I <sub>L</sub> /I <sub>n</sub>	Locked Rotor Torque T <sub>L</sub> /T <sub>n</sub>	Break-down Torque T <sub>b</sub> /T <sub>n</sub>	Inertia J (lb-ft <sup>2</sup> )	Allowable locked rotor time (s)		Weight (lb)	Sound dB(A)	460 V								
								Hot	Cold			Rated speed (rpm)	% of full load						Full load current I <sub>n</sub> (A)	
													Efficiency			Power Factor				
HP	kW												50	75	100	50	75	100		
0.12	0.16	63	0.242	6.4	4.5	4.6	0.0033	37	81	13.7	52	3430	55.0	62.0	64.0	0.54	0.65	0.73	0.322	
		63	0.485	5.2	2.6	3	0.0104	53	117	11.5	44	1710	57.5	64.0	66.0	0.50	0.62	0.71	0.321	
		63	0.727	3.5	2.5	2.8	0.0157	56	123	17.0	43	1140	52.0	59.0	64.0	0.35	0.45	0.52	0.453	
		71	1.00	2.5	1.8	2.4	0.0223	50	110	25.4	41	825	46.0	52.5	59.5	0.30	0.37	0.46	0.550	
0.18	0.25	63	0.379	6.3	4.4	4.4	0.0038	28	62	14.8	52	3415	57.5	64.0	68.0	0.54	0.66	0.74	0.449	
		63	0.760	5.7	2.8	3.3	0.0145	40	88	15.9	44	1705	62.0	66.0	69.5	0.50	0.60	0.69	0.471	
		71	1.17	3.7	2.3	2.7	0.0221	50	110	25.4	43	1110	57.5	59.5	67.5	0.35	0.44	0.53	0.632	
		80	1.56	3.8	2.4	2.9	0.0681	56	123	29.8	42	830	50.5	60.0	64.0	0.38	0.48	0.59	0.598	
0.25	0.33	63	0.501	6.6	4.8	4.7	0.0047	23	51	15.9	56	3415	64.0	68.0	69.5	0.53	0.65	0.74	0.610	
		71	0.994	5.3	2.6	2.8	0.0157	40	88	17.6	43	1720	70.0	72.0	73.4	0.47	0.60	0.69	0.620	
		80	1.47	5.1	2.1	3.1	0.0686	25	55	26.5	47	1165	64.1	70.5	71.4	0.43	0.55	0.65	0.676	
		80	1.99	4.3	2.5	3	0.0802	30	66	32.0	42	860	67.5	68.0	68.5	0.37	0.48	0.57	0.804	
0.37	0.5	71	0.753	7.0	3.1	3.3	0.0095	12	26	16.5	56	3440	70.0	73.4	73.4	0.64	0.76	0.82	0.772	
		71	1.51	5.8	3.4	3.5	0.0195	55	121	20.9	43	1710	70.0	75.0	78.2	0.47	0.58	0.67	0.886	
		80	2.27	4.9	2.4	2.8	0.0600	28	62	27.6	43	1140	66.0	70.0	75.3	0.47	0.60	0.70	0.881	
		90S	2.98	4.6	2.3	3.1	0.1305	30	66	41.9	43	870	66.5	71.5	72.0	0.37	0.47	0.56	1.15	
0.55	0.75	71	1.14	7.3	3.7	3.9	0.0112	17	37	18.7	56	3415	74.0	75.5	76.8	0.66	0.78	0.84	1.07	
		80	2.26	7.3	3.4	3.8	0.0605	22	48	27.6	44	1720	77.0	80.0	81.1	0.60	0.73	0.78	1.09	
		90S	3.34	6.4	2.6	3.4	0.1303	35	77	41.9	49	1165	78.0	81.5	81.7	0.45	0.58	0.67	1.26	
		90L	4.52	4.5	2	2.5	0.1566	29	64	50.7	43	860	70.0	73.0	74.0	0.41	0.53	0.62	1.50	
0.75	1	80	1.50	8.0	4.9	5	0.0180	32	70	29.8	59	3450	75.5	80.0	81.5	0.62	0.74	0.81	1.43	
		90S	2.94	8.6	2.8	3.9	0.1163	22	48	40.8	49	1760	80.0	84.5	85.0	0.52	0.66	0.75	1.48	
		90L	4.49	6.4	3	3.5	0.1561	36	79	55.1	49	1155	77.0	81.5	82.5	0.46	0.59	0.68	1.68	
		100L	6.02	4.8	2	2.7	0.3014	61	134	67.3	50	860	70.0	74.0	75.5	0.38	0.50	0.59	2.11	
1.1	1.5	80	2.25	8.0	5.3	5.2	0.0356	27	59	33.1	59	3450	78.5	81.5	84.0	0.62	0.74	0.81	2.03	
		90S	4.43	8.5	2.9	3.5	0.1305	15	33	43.0	51	1755	80.0	84.0	86.5	0.57	0.70	0.78	2.05	
		100L	9.04	4.9	2.2	2.7	0.3393	42	92	72.8	50	860	74.0	75.5	78.5	0.38	0.50	0.59	2.98	
1.5	2	90S	2.97	8.4	4.1	4.4	0.0475	16	35	40.8	62	3485	80.0	82.5	85.5	0.64	0.75	0.82	2.69	
		90L	5.90	8.3	3	4	0.1566	14	31	50.7	49	1755	82.5	85.5	86.5	0.56	0.69	0.78	2.79	
		112M	12.0	5.7	2.8	3.3	0.5648	38	84	94.8	46	865	77.0	80.0	84.0	0.44	0.57	0.64	3.50	
2.2	3	90L	4.47	8.4	4.3	4.6	0.0617	14	31	51.8	62	3480	84.0	85.5	86.5	0.64	0.76	0.83	3.85	
		100L	8.88	9.0	3.8	3.7	0.2136	20	44	72.8	---	1750	86.6	88.2	89.5	0.54	0.67	0.75	4.11	
		132S	13.2	6.1	1.8	3.1	1.17	50	110	139	55	1175	84.0	87.5	89.5	0.49	0.62	0.70	4.41	
		132S	17.9	7.4	2.5	2.9	1.64	32	70	152	48	870	82.0	84.0	85.5	0.47	0.60	0.68	4.75	
3	4	100L	5.90	9.2	3.8	5	0.1519	18	40	70.6	67	3510	82.5	86.5	88.5	0.68	0.79	0.85	5.01	
		L100L	11.9	8.6	4.6	4.8	0.2848	18	40	82.7	54	1740	84.0	86.5	89.5	0.59	0.71	0.79	5.39	
		132S	17.7	6.3	1.8	2.9	1.07	68	150	135	55	1170	85.5	88.5	89.5	0.49	0.62	0.70	6.01	
		132M	23.8	7.5	3.2	3.4	1.99	26	57	165	48	870	83.5	85.0	86.5	0.45	0.58	0.67	6.50	

continued on next page



Metric Motors Cast Iron Frame - continued

Output		Frame	Full Load Torque (ft.lb)	Locked Rotor Current Code I <sub>L</sub> /I <sub>n</sub>	Locked Rotor Torque T <sub>L</sub> /T <sub>n</sub>	Break-down Torque T <sub>b</sub> /T <sub>n</sub>	Inertia J (lb-ft <sup>2</sup> )	Allowable locked rotor time (s)		Weight (lb)	Sound dB(A)	460 V							
								Hot	Cold			Rated speed (rpm)	% of full load			Full load current I <sub>n</sub> (A)			
													Efficiency		Power Factor				
HP	kW											50	75	100	50	75	100		
4	5.5	112M	8.13	8.6	3.1	4.4	0.1898	24	53	90.4	64	3505	85.5	87.5	88.5	0.67	0.79	0.85	6.67
		112M	16.2	8.0	2.5	3.5	0.4312	19	42	97.0	56	1755	87.5	89.5	89.5	0.58	0.70	0.77	7.28
		132M	24.5	6.6	1.9	3	1.34	43	95	146	52	1165	85.5	88.5	89.5	0.50	0.63	0.71	7.90
		160M	32.4	5.2	2	2.7	2.39	47	103	251	54	880	84.0	86.5	86.5	0.49	0.62	0.71	8.17
5.5	7.5	132S	11.0	8.6	2.9	4.1	0.5126	29	64	143	67	3530	85.5	87.5	89.5	0.70	0.81	0.86	8.97
		132S	22.0	10.1	2.6	4.3	1.25	18	40	152	56	1765	88.5	91.0	91.7	0.65	0.77	0.83	9.07
		132M/L	33.2	7.4	2.4	3.5	1.79	32	70	176	52	1170	85.5	88.5	91.0	0.48	0.61	0.70	10.8
		160M	44.2	5.3	2	2.7	2.90	36	79	271	54	880	85.5	86.5	87.5	0.49	0.62	0.71	11.1
7.5	10	132S	14.7	9.1	3.3	4.4	0.5980	21	46	152	67	3535	86.5	89.5	90.2	0.68	0.79	0.85	12.3
		132M	29.3	9.0	2.7	4.3	1.52	16	35	172	56	1770	90.2	91.0	91.7	0.65	0.77	0.83	12.2
		160M	43.9	7.4	2.7	3.5	2.90	25	55	269	59	1180	87.5	89.5	91.0	0.59	0.69	0.75	13.8
		160L	58.9	5.7	2.4	2.9	3.75	26	57	320	54	880	88.5	89.0	89.5	0.49	0.62	0.70	15.0
9.2	12.5	132M	18.3	9.0	3.1	3.9	0.7261	20	44	172	67	3535	88.5	90.2	91.0	0.73	0.83	0.87	14.6
		160M	36.5	8.3	3	3.7	1.91	17	37	240	64	1775	87.5	90.2	92.4	0.66	0.77	0.82	15.2
		160L	54.9	7.5	2.7	3.4	3.41	22	48	302	59	1180	88.5	90.2	91.7	0.60	0.73	0.80	15.7
		180M	73.6	7.0	2.2	3	6.11	20	44	381	54	880	88.5	89.5	89.5	0.62	0.74	0.80	16.1
11	15	160M	21.9	8.7	3	4.3	0.9943	24	53	254	72	3555	88.5	91.0	91.7	0.69	0.80	0.84	17.9
		160M	43.8	8.3	3.1	3.8	2.38	16	35	271	64	1775	89.5	91.7	92.4	0.63	0.75	0.82	18.2
		160L	65.9	7.5	2.8	3.4	3.75	20	44	315	59	1180	88.5	90.2	91.7	0.61	0.73	0.80	18.8
		180L	88.3	7.6	2.6	3.4	6.75	16	35	408	54	880	88.5	89.5	89.5	0.59	0.71	0.79	19.5
15	20	160M	29.2	8.4	3	4.1	1.12	18	40	262	72	3550	89.5	91.7	91.7	0.69	0.80	0.84	24.4
		160L	58.4	8.3	3.3	4	2.88	13	29	320	64	1775	91.0	91.7	93.0	0.62	0.74	0.81	25.0
		180L	87.8	9.2	3	3.9	7.69	13	29	426	59	1180	91.0	91.7	91.7	0.68	0.79	0.83	24.7
		200L	117	5.2	2	2.4	10.8	44	97	518	56	885	89.5	91.0	91.0	0.55	0.67	0.74	28.0
18.5	25	160L	36.5	8.9	3.3	4.4	1.32	15	33	300	72	3550	90.2	91.7	92.4	0.69	0.80	0.84	29.9
		180M	73.0	8.1	3.3	3.8	4.75	21	46	397	64	1775	91.0	92.4	93.6	0.62	0.75	0.81	30.6
		200L	110	7.0	2.6	3.1	9.16	25	55	492	62	1180	91.0	91.7	93.0	0.62	0.74	0.81	30.8
		225S/M	146	7.0	1.9	3.1	26.3	43	95	831	60	885	93.0	93.0	93.0	0.60	0.72	0.79	31.6
22	30	180M	43.7	8.5	2.8	4.1	2.83	17	37	388	72	3555	90.2	91.7	92.4	0.71	0.81	0.86	34.7
		180L	87.6	8.6	3.5	3.9	5.39	19	42	437	64	1775	91.0	92.4	93.6	0.65	0.76	0.82	36.0
		200L	132	7.2	2.8	3.3	10.8	23	51	529	62	1180	91.7	92.4	93.0	0.62	0.74	0.80	37.1
		225S/M	176	6.6	1.5	2.4	30.6	38	84	886	60	885	92.4	92.5	92.8	0.59	0.71	0.79	37.7
30	40	200L	58.1	8.3	3	3.3	4.44	26	57	538	76	3565	91.0	92.4	93.0	0.73	0.82	0.86	47.1
		200L	116	8.2	3	3.6	8.23	19	42	536	66	1780	91.7	93.0	94.1	0.63	0.75	0.81	49.4
		225S/M	175	7.7	2.7	3.3	30.6	30	66	884	66	1185	93.0	94.1	94.1	0.67	0.78	0.84	47.6
		250S/M	233	6.6	2.2	2.6	33.9	40	88	1080	60	890	93.0	93.6	93.6	0.60	0.72	0.79	50.9

continued on next page

## Metric Motors Cast Iron Frame - *continued*

Output		Frame	Full Load Torque (ft.lb)	Locked Rotor Current Code I <sub>L</sub> /In	Locked Rotor Torque T <sub>L</sub> /T <sub>n</sub>	Break-down Torque T <sub>b</sub> /T <sub>n</sub>	Inertia J (lb-ft <sup>2</sup> )	Allowable locked rotor time (s)		Weight (lb)	Sound dB(A)	460 V								Full load current In (A)
								Hot	Cold			Rated speed (rpm)	% of full load							
													Efficiency			Power Factor				
HP	kW											50	75	100	50	75	100			
37	50	200L	72.5	8.3	3.3	3.3	5.03	22	48	584	76	3575	91.7	93.0	93.6	0.63	0.75	0.81	61.3	
		225S/M	146	8.6	3.1	3.7	20.9	25	55	864	67	1780	93.0	94.1	94.5	0.68	0.79	0.84	58.5	
		250S/M	219	7.8	2.8	3.3	33.8	29	64	1072	68	1185	93.6	94.1	94.1	0.69	0.79	0.84	58.8	
		280S/M	291	6.7	2	2.7	66.9	45	99	1484	63	890	93.0	94.1	94.1	0.59	0.71	0.77	64.1	
45	60	225S/M	87.2	7.8	2.4	3.4	10.5	29	64	917	79	3565	93.0	94.1	94.1	0.80	0.87	0.90	66.7	
		225S/M	175	8.2	3.2	3.7	22.6	24	53	926	67	1780	93.6	94.5	95.0	0.69	0.79	0.85	69.9	
		280S/M	261	7.2	2.6	3.4	66.5	48	106	1495	69	1190	93.0	94.5	94.5	0.62	0.74	0.80	74.7	
		280S/M	349	6.4	1.9	2.6	82.8	42	92	1634	63	890	93.6	94.1	94.1	0.59	0.71	0.78	77.0	
55	75	250S/M	109	8.6	2.9	3.7	11.6	28	62	1069	79	3570	93.6	94.2	94.2	0.80	0.87	0.90	81.4	
		250S/M	218	8.2	3.3	3.1	26.3	27	59	1118	68	1785	93.6	94.5	95.4	0.67	0.79	0.85	85.1	
		280S/M	327	7.0	2.6	3.3	77.1	46	101	1594	69	1190	93.6	94.5	94.5	0.64	0.75	0.81	90.2	
		315S/M	437	6.6	1.9	2.6	74.6	63	139	2064	66	890	93.6	94.5	94.5	0.62	0.73	0.78	93.7	
75	100	280S/M	145	7.9	2.4	3.5	28.6	59	130	1603	81	3580	92.4	94.1	94.5	0.80	0.87	0.90	111	
		280S/M	290	7.9	2.7	3.4	53.5	47	103	1607	73	1785	93.0	94.5	95.4	0.72	0.81	0.85	116	
		315S/M	435	7.0	2.6	3.1	79.2	61	134	2121	70	1190	94.1	95.0	95.0	0.64	0.75	0.81	122	
		315S/M	582	6.5	2	2.6	95.7	60	132	2313	66	890	94.1	95.0	95.0	0.62	0.73	0.78	127	
90	125	280S/M	181	7.7	2.3	3.3	31.8	52	114	1680	81	3580	93.0	94.5	95.0	0.82	0.88	0.90	132	
		280S/M	363	8.0	2.7	3.4	60.6	41	90	1713	73	1785	93.6	95.0	95.4	0.71	0.81	0.85	139	
		315S/M	544	7.0	2.6	3.1	94.8	61	134	2311	70	1190	94.5	95.4	95.4	0.64	0.75	0.81	146	
		315S/M	728	6.8	2.1	2.7	114	55	121	2534	66	890	93.5	94.0	94.5	0.61	0.73	0.78	153	
110	150	315S/M	217	8.4	2.5	3.7	50.2	59	130	2121	81	3585	92.4	94.1	95.0	0.78	0.86	0.89	163	
		315S/M	434	7.8	3	3.2	58.7	57	125	2227	75	1790	93.6	95.0	95.8	0.71	0.81	0.85	170	
		315S/M	653	7.0	2.5	2.7	105	53	117	2439	70	1190	95.0	95.8	95.8	0.64	0.75	0.81	178	
		315L	873	6.7	2.1	2.7	298	49	108	3014	71	890	94.5	95.4	95.4	0.60	0.72	0.78	186	
132	175	315S/M	253	8.2	2.5	3.4	60.7	54	119	2311	81	3580	93.6	94.5	95.4	0.82	0.88	0.90	193	
		315S/M	507	7.9	3.1	3.3	69.7	57	125	2414	75	1790	94.1	95.4	96.2	0.72	0.81	0.85	203	
		315S/M	762	7.2	2.9	3.2	121	46	101	2624	70	1190	95.0	95.8	95.8	0.63	0.75	0.81	214	
		315L	1013	6.9	2.3	2.7	313	47	103	3325	71	895	95.0	95.4	95.4	0.60	0.72	0.78	223	
150	200	315S/M	289	8.5	2.6	3	65.7	46	101	2401	81	3585	93.6	95.4	95.4	0.79	0.87	0.90	219	
		315S/M	579	7.8	2.8	2.8	105	43	95	2478	75	1790	94.5	95.8	96.2	0.72	0.82	0.86	228	
		315L	871	7.3	2.8	3	264	41	90	3010	71	1190	95.4	95.8	95.8	0.66	0.77	0.82	240	
160	220	315S/M	318	8.4	2.7	3.5	71.0	43	95	2489	81	3580	94.1	95.0	95.4	0.81	0.88	0.90	234	
		315S/M	637	7.8	3.2	3.2	76.9	49	108	2540	75	1790	94.5	95.4	96.2	0.72	0.82	0.85	246	
		315L	958	7.4	3	3.2	264	45	99	3193	71	1190	95.4	95.8	95.8	0.64	0.76	0.81	259	
		355M/L	1274	7.0	1.2	2.8	410	83	183	3852	75	895	95.0	95.8	95.8	0.61	0.73	0.79	265	
185	250	315S/M	362	8.3	2.9	3.4	76.0	42	92	2639	81	3580	94.5	95.4	95.8	0.82	0.88	0.90	269	
		315S/M	724	7.8	3.2	3.1	82.2	39	86	2695	75	1790	95.0	95.8	96.2	0.72	0.81	0.85	284	
		355M/L	1084	7.1	2.5	2.9	264	48	106	3674	77	1195	94.3	95.4	95.8	0.60	0.72	0.78	311	
		355M/L	1447	7.1	1.4	2.8	440	64	141	4011	75	895	95.0	95.8	95.8	0.61	0.73	0.78	311	

*continued on next page*

**Metric Motors Cast Iron Frame - *continued***

Output		Frame	Full Load Torque (ft.lb)	Locked Rotor Current Code I <sub>L</sub> /I <sub>n</sub>	Locked Rotor Torque T <sub>L</sub> /T <sub>n</sub>	Break-down Torque T <sub>b</sub> /T <sub>n</sub>	Inertia J (lb-ft <sup>2</sup> )	Allowable locked rotor time (s)		Weight (lb)	Sound dB(A)	460 V							Full load current I <sub>n</sub> (A)
								Rated speed (rpm)	% of full load										
									Efficiency			Power Factor							
									50			75	100	50	75	100			
HP	kW	Hot	Cold																
200	270	315L	391	7.8	3	3.5	81.3	40	88	2878	82	3580	94.5	95.4	95.8	0.81	0.88	0.90	291
		315L	781	7.8	3.1	3.1	93.4	40	88	2937	77	1790	95.0	95.8	96.2	0.72	0.82	0.85	307
		355M/L	1171	6.9	2.4	2.8	286	58	128	3834	77	1195	94.2	95.4	95.8	0.62	0.73	0.79	332
		355M/L	1563	6.8	1.2	2.7	449	70	154	4170	75	895	95.0	95.8	95.8	0.61	0.73	0.79	332
220	300	315L	434	7.9	2.7	3.2	88.3	44	97	3021	82	3580	95.4	95.8	96.2	0.84	0.89	0.91	315
		315L	868	7.9	3.4	3.3	163	40	88	3153	77	1790	95.4	95.8	96.2	0.72	0.81	0.85	338
		355M/L	1301	7.0	2.6	2.9	318	50	110	4088	77	1195	94.8	95.8	95.8	0.60	0.72	0.78	370
250	340	315L	492	7.8	2.8	3.2	98.9	34	75	3162	82	3580	95.4	96.2	96.2	0.84	0.90	0.91	358
		315L	984	7.9	3.5	3.4	199	38	84	3367	77	1790	95.4	96.2	96.2	0.71	0.81	0.85	384
		355M/L	1474	7.0	2.6	2.8	356	51	112	4344	77	1195	95.1	95.5	95.9	0.61	0.73	0.78	419
260	350	355M/L	506	7.9	2.4	3.3	120	54	119	3671	84	3585	94.5	95.8	96.2	0.86	0.90	0.91	373
		315L	1013	7.9	3.5	3.4	199	38	84	3367	77	1790	95.4	96.2	96.2	0.71	0.81	0.85	384
		355M/L	1517	7.0	2.6	2.8	356	51	112	4344	77	1195	95.1	95.5	95.9	0.61	0.73	0.78	436
280	380	355M/L	549	7.9	2.3	3	132	41	90	3861	84	3585	94.5	95.8	96.2	0.88	0.92	0.92	397
		355M/L	1100	7.9	2.9	3.2	229	42	92	3737	78	1790	95.4	96.2	96.2	0.72	0.81	0.85	430
		355M/L	1647	7.0	2.4	2.7	356	38	84	4344	77	1195	95.1	95.7	96.0	0.61	0.73	0.78	469
315	430	355M/L	621	7.9	2.5	3.1	142	45	99	4053	84	3585	95.4	96.2	96.2	0.88	0.92	0.92	447
		355M/L	1245	8.1	3.1	3.5	254	41	90	3907	78	1790	95.4	96.2	96.5	0.65	0.77	0.83	494
355	480	355M/L	1389	7.8	2.7	2.9	275	37	81	4141	78	1790	95.8	96.2	96.5	0.74	0.83	0.85	543



## Super Premium Efficiency Motors

Output		Frame	Full Load Torque (ft.lb)	Locked Rotor Current		Locked Rotor Torque Tl/Tn	Break-down Torque Tb/Tn	Inertia J (lb-ft <sup>2</sup> )	Allowable locked rotor time (s)		Weight (lb)	Sound dB(A)	Service Factor	460 V								
				Code	II/In				Hot	Cold				Rated speed (rpm)	% of full load						Full load current in (A)	
															Efficiency			Power Factor				
															50	75	100	50	75	100		
1	0.75	143/5T	1.49	J	7.2	2.5	3.0	0.0415	36	79	39.7	68.0	1.25	3485	81.5	82.5	84.0	0.69	0.79	0.83	1.35	
1	0.75	L143T	2.94	L	9.0	2.6	3.3	0.1554	33	73	50.7	51.0	1.25	1760	84.0	86.5	87.5	0.59	0.70	0.79	1.33	
1.5	1.1	143/5T	2.23	K	8.4	3.0	3.5	0.0470	29	64	41.9	68.0	1.25	3485	84.0	85.5	86.5	0.67	0.78	0.83	1.92	
1.5	1.1	L143/5T	4.42	L	8.8	2.8	3.4	0.1815	20	44	55.1	51.0	1.25	1760	85.5	87.5	88.5	0.62	0.74	0.81	1.93	
2	1.5	143/5T	2.97	K	8.2	3.2	3.6	0.0610	23	51	50.7	68.0	1.25	3490	85.5	87.5	87.5	0.69	0.80	0.84	2.56	
2	1.5	L143/5T	5.89	L	8.6	2.9	3.6	0.1815	14	31	57.3	51.0	1.25	1760	86.5	87.5	88.5	0.61	0.74	0.81	2.63	
3	2.2	182T	4.42	K	8.5	2.4	3.6	0.1920	50	110	88.2	69.0	1.25	3520	84.0	86.5	88.5	0.70	0.81	0.85	3.67	
3	2.2	182/4T	8.81	K	8.3	2.3	3.2	0.4017	36	79	92.6	56.0	1.25	1765	87.5	88.5	91.0	0.63	0.75	0.81	3.75	
3	2.2	213/5T	13.2	K	7.2	1.8	2.9	1.53	90	198	172	55.0	1.25	1175	87.5	89.5	90.2	0.51	0.63	0.71	4.31	
5	3.7	182/4T	7.39	J	8.2	2.4	3.5	0.2233	30	66	94.8	69.0	1.25	3505	87.5	88.5	90.2	0.73	0.83	0.86	5.99	
5	3.7	L182/4T	14.8	J	7.5	2.3	3.1	0.4877	20	44	101	56.0	1.25	1755	88.5	90.2	91.0	0.61	0.73	0.80	6.38	
5	3.7	L213/5T	22.1	J	7.0	1.9	2.5	1.80	70	154	198	55.0	1.25	1170	89.5	91.0	91.0	0.56	0.68	0.75	6.80	
7.5	5.5	213/5T	11.0	J	7.6	2.3	3.3	0.5548	37	81	141	72.0	1.25	3530	87.5	89.5	91.0	0.73	0.82	0.86	8.82	
7.5	5.5	L213T	22.0	K	8.5	2.3	3.5	1.51	20	44	172	58.0	1.25	1770	91.0	92.4	93.0	0.65	0.76	0.83	8.94	
7.5	5.5	254/6T	33.1	H	6.8	2.5	3.1	4.57	50	110	304	59.0	1.25	1175	90.2	91.7	92.4	0.60	0.72	0.79	9.46	
10	7.5	213/5T	14.7	J	8.0	2.4	3.2	0.7185	34	75	172	72.0	1.25	3535	89.5	91.0	91.7	0.77	0.85	0.89	11.5	
10	7.5	L213/5T	29.4	K	8.4	2.3	3.5	1.78	16	35	181	58.0	1.25	1765	91.7	92.4	93.0	0.66	0.78	0.84	12.0	
10	7.5	254/6T	43.9	H	6.8	2.4	3.0	5.40	40	88	344	59.0	1.25	1180	91.0	92.4	92.4	0.62	0.74	0.80	12.7	
15	11	254T	21.9	J	7.7	2.7	3.5	1.56	28	62	273	72.0	1.25	3545	90.2	91.7	92.4	0.72	0.82	0.86	17.4	
15	11	254/6T	43.8	K	8.5	2.8	3.3	3.66	20	44	280	64.0	1.25	1775	91.7	93.0	93.6	0.66	0.76	0.83	17.8	
15	11	284/6T	65.9	H	7.1	2.6	3.0	7.69	25	55	410	59.0	1.25	1180	91.7	92.4	93.0	0.65	0.76	0.82	18.1	
20	15	254/6T	29.2	H	7.6	2.6	3.4	1.91	23	51	311	72.0	1.25	3545	91.0	92.4	93.0	0.75	0.84	0.88	23.0	
20	15	254/6T	58.5	J	7.4	2.6	3.0	4.29	30	66	326	64.0	1.25	1770	93.0	93.6	94.1	0.63	0.75	0.81	24.7	
20	15	284/6T	87.8	J	7.4	2.7	3.0	9.29	20	44	474	59.0	1.25	1180	91.7	92.4	93.0	0.67	0.78	0.83	24.4	
25	18.5	284/6T	36.5	H	7.5	2.4	3.3	2.68	20	44	386	72.0	1.25	3550	91.7	93.0	93.6	0.75	0.83	0.87	28.5	
25	18.5	284/6T	73.0	K	8.3	3.0	3.4	4.94	26	57	406	64.0	1.25	1775	93.0	94.1	94.5	0.62	0.74	0.81	30.3	
25	18.5	324/6T	109	J	7.3	2.6	3.1	11.2	30	66	527	62.0	1.25	1185	92.4	93.6	94.1	0.61	0.73	0.80	30.8	
30	22	284/6T	43.8	H	7.5	2.4	3.3		19	42	437	72.0	1.25	3550	92.4	93.6	93.6	0.76	0.84	0.88	33.5	
30	22	284/6T	87.6	J	8.0	3.2	3.5	5.67	25	55	450	64.0	1.25	1775	93.0	94.1	94.5	0.64	0.76	0.82	35.6	
30	22	324/6T	131	H	7.0	2.6	3.0	12.9	27	59	584	62.0	1.25	1185	92.4	93.6	94.1	0.60	0.73	0.80	36.7	
40	30	324/6TS	58.1	H	7.5	2.8	3.0	4.63	27	59	547	76.0	1.25	3565	92.4	94.1	94.1	0.74	0.83	0.86	46.5	
40	30	324/6T	116	K	8.4	3.2	3.5	8.83	22	48	534	66.0	1.25	1780	93.6	94.5	95.0	0.64	0.75	0.81	48.9	
40	30	364/5T	174	K	8.4	2.6	3.2	24.2	22	48	875	66.0	1.25	1190	93.6	94.5	95.0	0.64	0.76	0.81	48.9	
50	37	324/6T	72.6	H	7.7	3.0	3.0	5.43	25	55	606	76.0	1.25	3570	93.0	94.5	94.5	0.74	0.83	0.86	57.1	
50	37	324/6T	146	H	7.4	2.6	3.0	9.82	20	44	598	66.0	1.25	1780	94.1	95.0	95.4	0.62	0.73	0.81	60.1	
50	37	364/5T	218	K	8.5	2.6	3.3	25.0	12	26	895	66.0	1.25	1190	93.6	94.5	95.0	0.63	0.75	0.81	60.3	
60	45	364/5TS	87.1	H	7.9	2.4	3.2	8.61	25	55	926	79.0	1.25	3570	93.0	94.5	95.0	0.79	0.86	0.89	66.8	
60	45	364/5T	175	J	8.5	2.7	3.2	16.9	24	53	897	67.0	1.25	1780	94.5	95.4	95.8	0.69	0.80	0.84	70.2	
60	45	404/5T	262	J	7.9	2.8	3.2	39.1	22	48	1111	68.0	1.25	1185	94.1	95.0	95.4	0.65	0.77	0.82	72.2	

continued on next page

**Super Premium Efficiency Motors - continued**

Output		Frame	Full Load Torque (ft.lb)	Locked Rotor Current		Locked Rotor Torque Tl/Tn	Break-down Torque Tb/Tn	Inertia J (lb-ft <sup>2</sup> )	Allowable locked rotor time (s)		Weight (lb)	Sound dB(A)	Service Factor	460 V								
														Rated speed (rpm)	% of full load						Full load current In (A)	
															Efficiency			Power Factor				
															50	75	100	50	75	100		
75	55	364/5TS	109	H	8.0	2.6	3.2	8.61	14	31	937	79.0	1.25	3570	93.6	95.0	95.0	0.77	0.85	0.88	82.6	
75	55	364/5T	218	J	8.4	2.8	3.2	16.9	16	35	919	67.0	1.25	1780	94.5	95.4	95.8	0.68	0.78	0.83	86.8	
75	55	404/5T	327	J	8.0	2.8	3.0	41.3	15	33	1125	68.0	1.25	1190	94.1	95.0	95.4	0.64	0.75	0.81	89.3	
100	75	404/5TS	145	H	8.0	2.9	3.2	14.3	20	44	1180	79.0	1.25	3565	94.5	95.4	95.4	0.81	0.87	0.89	111	
100	75	404/5T	291	K	8.8	2.7	3.1	28.7	12	26	1188	68.0	1.25	1780	95.4	95.8	96.2	0.70	0.80	0.84	116	
100	75	444/5T	435	J	7.6	2.6	3.2	106	27	59	1896	69.0	1.25	1190	94.5	95.4	95.8	0.60	0.72	0.79	124	
125	90	444/5TS	181	J	8.2	2.3	3.1	31.3	44	97	1680	81.0	1.25	3580	94.1	95.4	95.8	0.76	0.84	0.87	136	
125	90	444/5T	363	J	8.2	2.4	3.0	58.4	38	84	1722	73.0	1.25	1785	95.0	95.8	96.2	0.68	0.79	0.84	140	
125	93	444/5T	544	J	7.6	2.4	2.6	114	25	55	1945	69.0	1.25	1190	95.0	95.8	95.8	0.62	0.74	0.80	152	
150	110	444/5TS	217	H	7.9	2.6	3.2	38.5	30	66	1863	81.0	1.25	3580	94.5	95.8	96.2	0.77	0.85	0.88	163	
150	110	444/5T	435	K	8.9	2.5	3.0	73.0	30	66	1951	73.0	1.25	1785	95.4	96.2	96.5	0.68	0.79	0.84	170	
150	110	447/9T	653	J	7.5	2.6	3.2	145	22	48	2256	70.0	1.25	1190	95.0	95.8	96.2	0.62	0.74	0.80	179	
200	150	445/7TS	290	H	7.3	2.4	2.9	41.6	28	62	2029	81.0	1.25	3575	95.4	96.2	96.2	0.83	0.88	0.90	217	
200	150	447/9T	580	J	7.7	2.8	3.0	98.7	24	53	2293	75.0	1.25	1785	95.8	96.5	96.8	0.66	0.77	0.83	234	
200	150	447/9T	871	J	7.5	2.6	3.0	156	15	33	2326	70.0	1.25	1190	95.4	95.8	96.2	0.60	0.72	0.80	245	
250	185	445/7TS	362	H	7.9	2.2	3.0	46.7	23	51	2183	81.0	1.25	3575	95.8	96.5	96.5	0.82	0.88	0.90	267	
250	185	447/9T	726	H	7.5	2.7	2.9	104	21	46	2536	75.0	1.25	1785	96.2	96.5	96.8	0.68	0.78	0.84	286	
250	185	586/7T	1088	G	6.4	2.1	2.1	226	50	110	3638	77.0	1.25	1190	95.0	95.9	96.3	0.67	0.77	0.81	298	

Single Phase - General Purpose - TEFC - Cast Iron . . . . .	B-56
Single Phase - General Purpose - TEFC - Cast Iron - C-Face . . . . .	B-58
Single Phase - General Purpose - TEFC - Rolled Steel - Standard Efficiency . . . . .	B-60
Single Phase - General Purpose - TEFC - Rolled Steel - Standard Efficiency - C-Face . . . . .	B-62
Single Phase - General Purpose - ODP - Rolled Steel - Standard Efficiency . . . . .	B-64
Single Phase - General Purpose - ODP - Rolled Steel - Standard Efficiency - C-Face . . . . .	B-66
Single Phase - General Purpose - ODP - Rolled Steel - Premium Efficiency . . . . .	B-68
Single Phase - General Purpose - ODP - Rolled Steel - Premium Efficiency - C-Face . . . . .	B-70
TEFC – W22 NEMA Premium® Efficiency . . . . .	B-72
C & D Flanges Dimensions – Valid for Cast Iron TEFC and ODP - C-Flange additional detail . . . . .	B-74
D-Flange additional detail . . . . .	B-74
Rolled Steel - General Purpose - Three Phase - TEFC . . . . .	B-75
Rolled Steel - General Purpose - Three Phase - ODP . . . . .	B-77
ODP – Cast Iron - Three Phase - General Purpose . . . . .	B-78
Explosion Proof - Three Phase . . . . .	B-81
Fractional - Three Phase - TEFC - NEMA Premium® . . . . .	B-83
Fractional - Three Phase - TEFC - NEMA Premium® - C-Face . . . . .	B-84
Fractional - Three Phase - TEFC - Standard Efficiency . . . . .	B-85
Fractional - Three Phase - TEFC - Standard Efficiency - C-Face . . . . .	B-86
Fractional - Three Phase - ODP - Premium Efficiency . . . . .	B-87
Fractional - Three Phase - ODP - Premium Efficiency - C-Face . . . . .	B-88
Fractional - Three Phase - ODP - Standard Efficiency . . . . .	B-89
Fractional - Three Phase - ODP - Standard Efficiency - C-Face . . . . .	B-90
Cooling Tower Motors - Three Phase - TEFC . . . . .	B-91
Cooling Tower Motors - Three Phase - TEAO . . . . .	B-95
CCP - JM - Three Phase - TEFC - Rolled Steel . . . . .	B-98
CCP - JM - Three Phase - TEFC - Cast Iron . . . . .	B-100
CCP - JP - Three Phase - TEFC - Rolled Steel . . . . .	B-103
CCP - JP - Three Phase - TEFC - Cast Iron . . . . .	B-105
CCP - JM - Three Phase - ODP - Rolled Steel . . . . .	B-108
CCP - JP - Three Phase - ODP - Rolled Steel . . . . .	B-108
CCP - JP and JM - Three Phase - ODP - Cast Iron . . . . .	B-111
IEC Metric Motors - Cast Iron Frames . . . . .	B-113
IEC Metric Motors - Cast Iron Frames - Additional C-Flange Detail . . . . .	B-115
IEC Metric Motors - Cast Iron Frames - Additional F-Flange Detail . . . . .	B-116

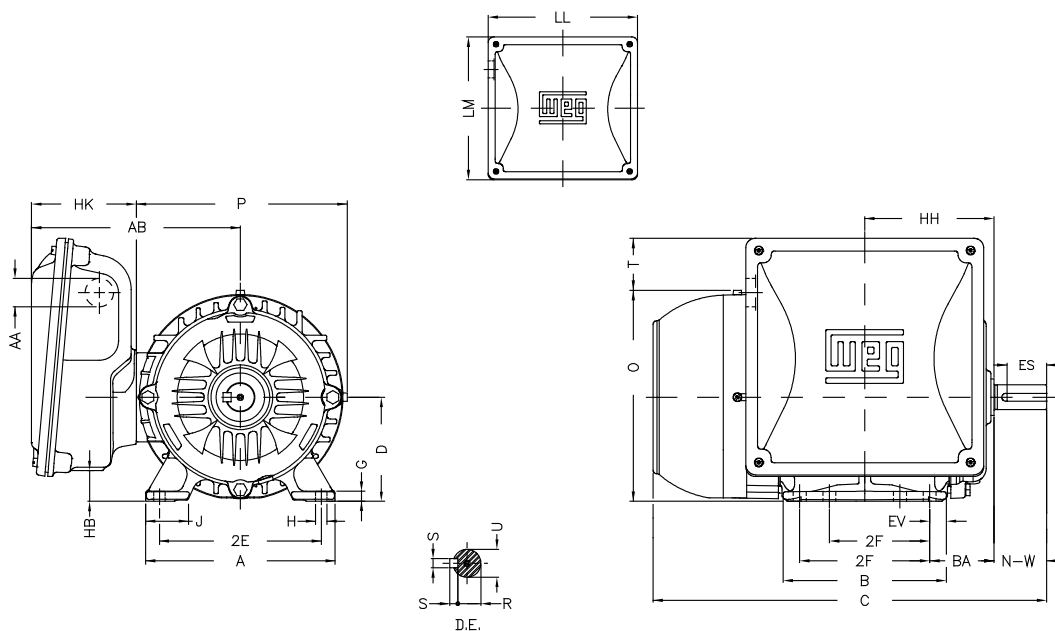


## Single Phase - General Purpose - TEFC - Cast Iron

Frame	2E	J	A	P	AB	2F	B	EV	BA	U	N-W	Key Length
143/5T	5.5	1.457	6.457	7.244	7.126	4	6.142	0.571	2.25	0.875	2.25	1.575
182/4T	7.5	1.614	8.661	8.937	8.11	4.5	6.969	0.734	2.75	1.125	2.75	1.969
213/5T	8.5	1.791	9.764	10.787	9.212	5.5	8.858	0.929	3.5	1.375	3.375	2.48

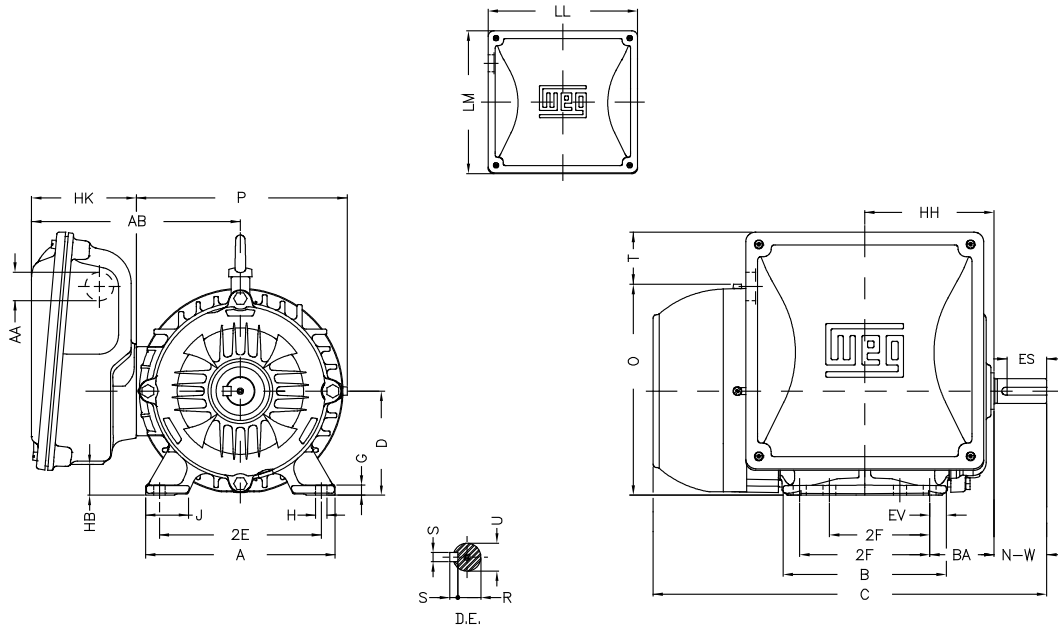
Frame	Width	R	Depth	D	G	HB	O	HH	HK	Hole H	C	LM	S	AA	DE	NDE
143/5T	0.187	0.766	0.187	3.5	0.354	1.043	7.122	4.75	3.583	0.34	14.49	8.11	0.187	NPT 3/4"	6205 ZZ	6203 ZZ
182/4T	0.25	0.984	0.25	4.5	0.394	1.574	8.897	5.5	3.7	0.41	17.012	9.134	0.25	NPT 1"	6207 ZZ	6206 ZZ
213/5T	0.313	1.203	0.313	5.25	0.669	2.362	10.84	7	3.7	0.41	20.095	9.134	0.313	NPT 1"	6308 ZZ	6206 ZZ

### Frames 143/5

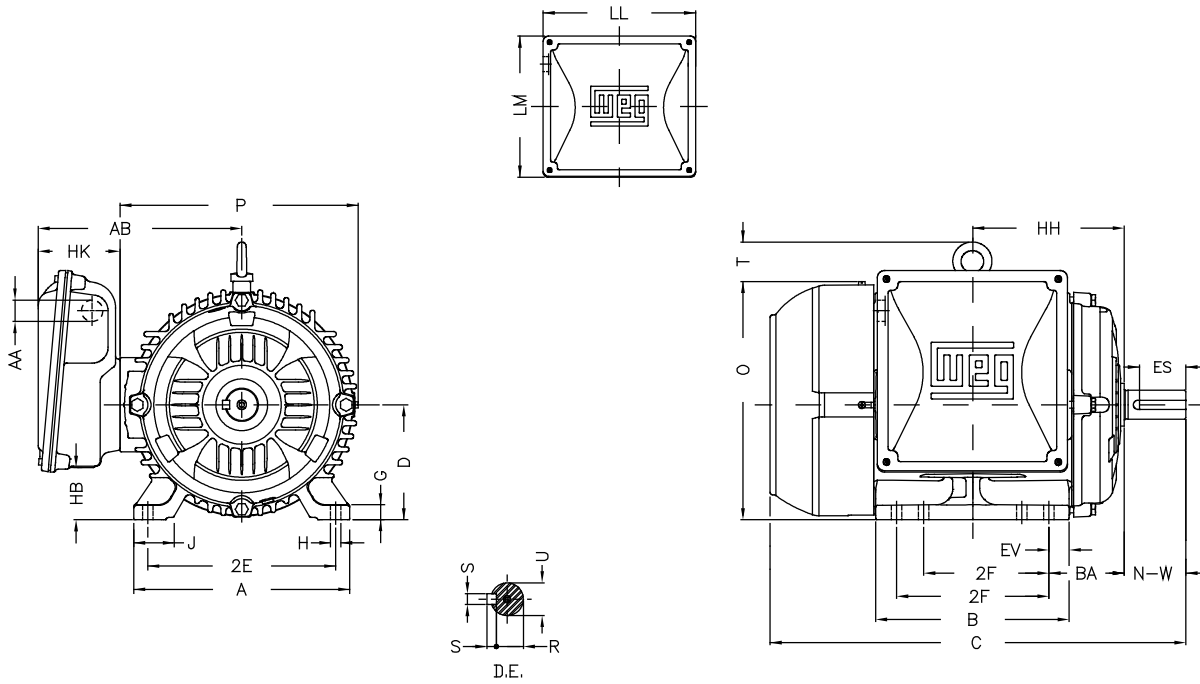


Single Phase - General Purpose - TEFC - Cast Iron

Frames 182/4



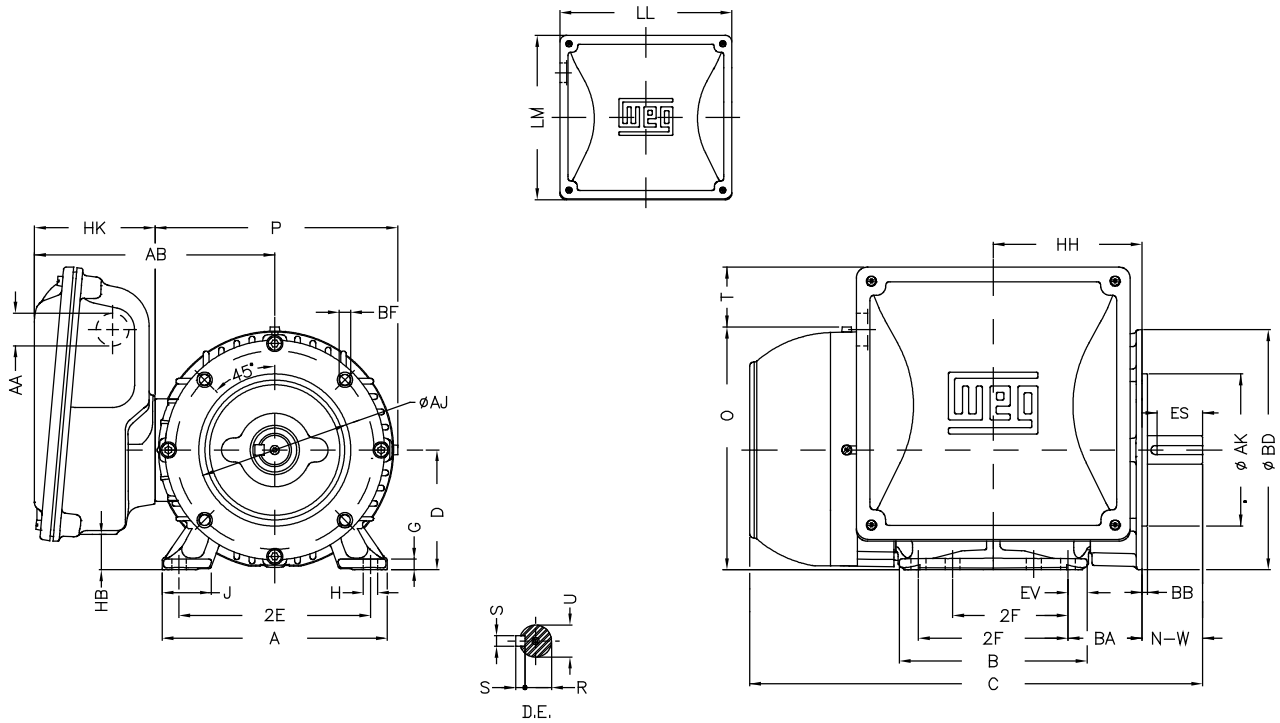
Frame 213/5



## Single Phase - General Purpose - TEFC - Cast Iron - C-Face

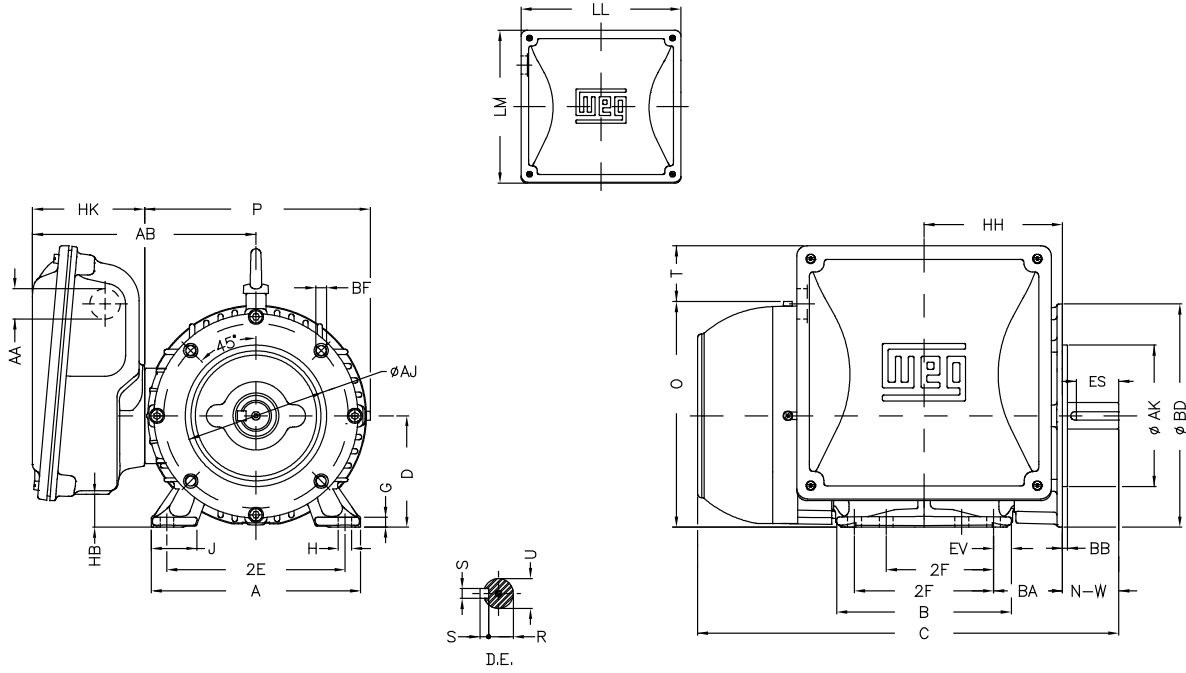
Frame	Type	Flange	Size	BC	AJ	AK	BD	S	T	AH	Angle	BF Number
143/5T	C	C	FC-149	0.125	5.875	4.5	6.5	UNC 3/8"x16	0.157	2.125	45°	4
182/4T	C	C	FC-184	0.125	7.25	8.5	8.875	UNC 1/2"x13	0.25	2.625	45°	4
213/5T	C	C	FC-184	0.25	7.25	8.5	8.875	UNC 1/2"x13	0.25	3.125	45°	4

### Frames 143/5

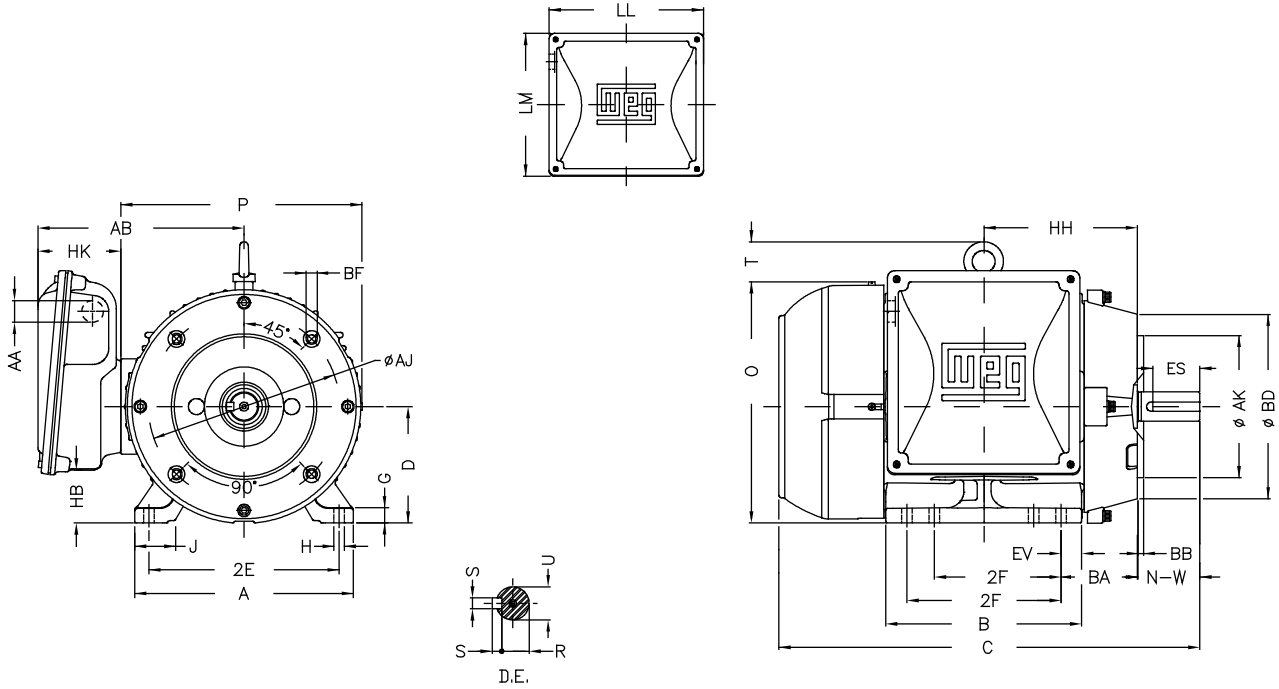


## Single Phase - General Purpose - TEFC - Cast Iron - C-Face

Frames 182/4



Frame 213/5





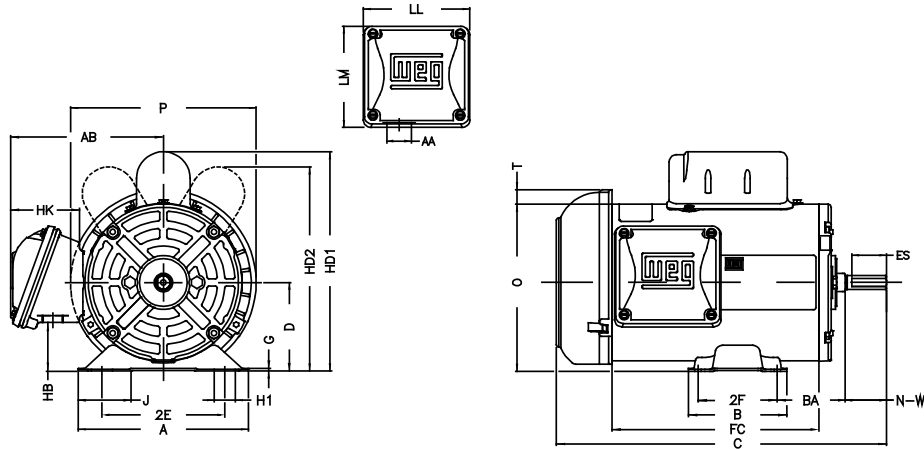
## Single Phase - General Purpose - TEFC - Rolled Steel - Standard Efficiency

Frame	2E	J	A	P	AH	2F	B	BA	CH	U	N-W	Key Length
48	4.236	1.835	6.142	6.693	1.689	2.748	3.543	2.5	1.417	0.5	1.5	1.26
W56	4.874	1.62	6.535	6.693	2.063	3	4.016	2.75	1.417	0.625	1.874	1.417
56	4.874	1.732	6.535	7.638	2.062	3	4.016	2.75	1.377	0.625	1.874	1.417
56H	4.874	1.732	6.535	7.638	2.062	3.000/5.000	6.496	2.75	1.377	0.625	1.874	1.417
143/5T	5.5	1.732	6.535	7.638	2.132	4.000/5.000	6.496	2.25	1.377	0.875	2.25	1.417
182/4T	7.5	1.299	8.661	9.435	2.62	4.500/5.500	6.299	2.75	1.377	1.125	2.75	1.969
213/5T	8.5	1.575	9.449	10.965	3.129	5.500/7.000	7.953	3.5	1.929	1.375	3.38	2.48

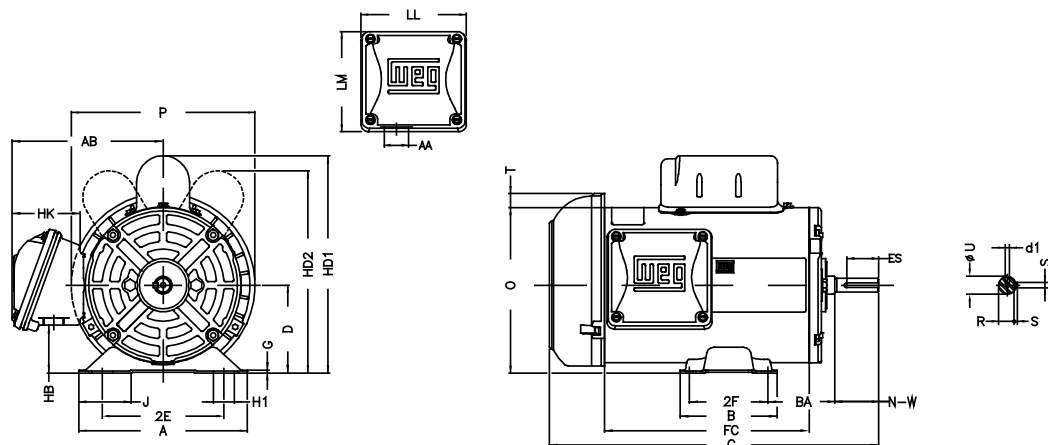
Frame	R	Depth	D	G	O	HD	Hole H	C	AA	T	DE	NDE
48	0.451		3	0.075	5.83	6.354	0.343	*	0.881"	0.524	6203 ZZ	6202 ZZ
W56	0.517	0.187	3.5	0.12	6.33	6.854	0.343	*	0.881"	0.524	6203 ZZ	6202 ZZ
56	0.517	0.187	3.5	0.12	6.724	7.327	0.343	*	0.881"	0.603	6203 ZZ	6202 ZZ
56H	0.517	0.187	3.5	0.12	6.724	7.327	0.343	*	0.881"	0.603	6204 ZZ	6202 ZZ
143/5T	0.771	0.187	3.5	0.12	6.724	7.327	0.343	*	1.118"	0.603	6205 ZZ	6203 ZZ
182/4T	0.984	0.25	4.5	0.167	8.557	9.218	0.406	*	1.118"	0.661	6206 ZZ	6205 ZZ
213/5T	1.203	0.313	5.25	0.167	10.144	10.905	0.406	*	1.377"	0.761	6208 ZZ	6206 ZZ

\* Dimension changes with output speed

### Frame 48

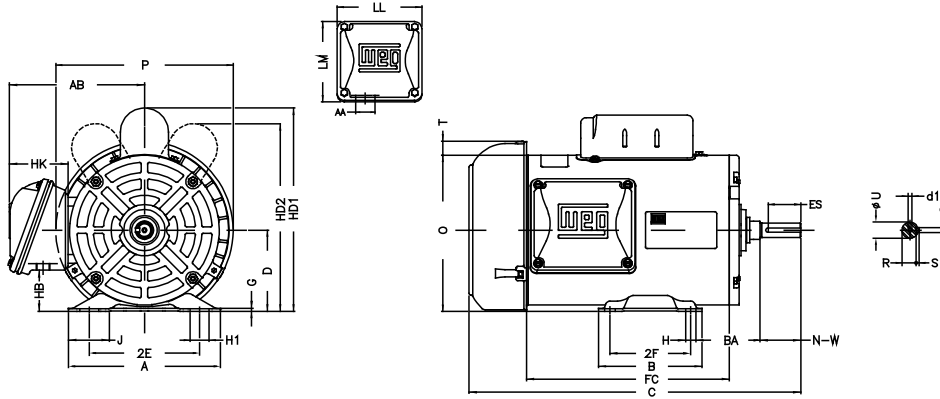


### Frame W56

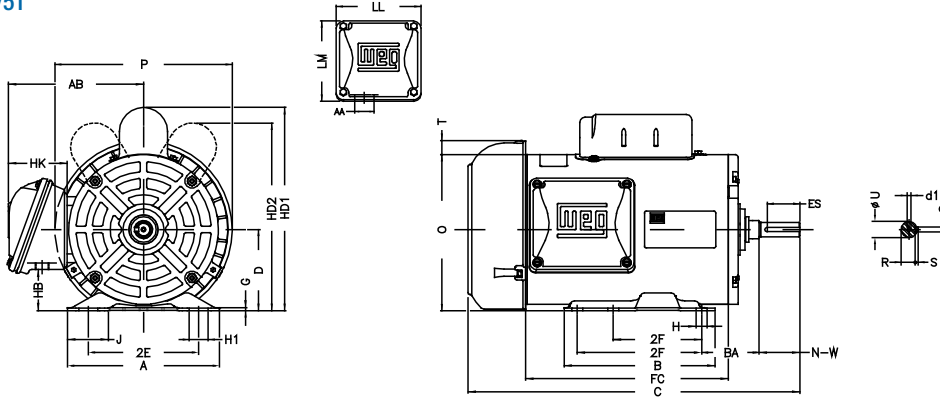


Single Phase - General Purpose - TEFC - Rolled Steel - Standard Efficiency

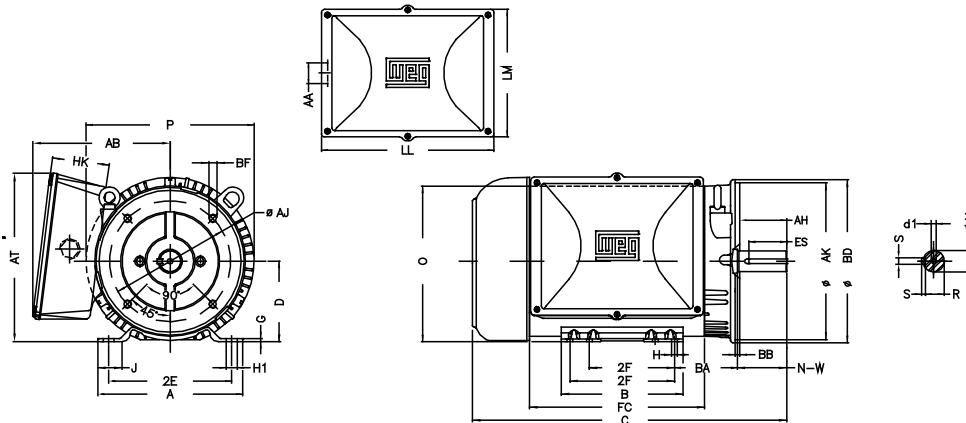
Frame 56



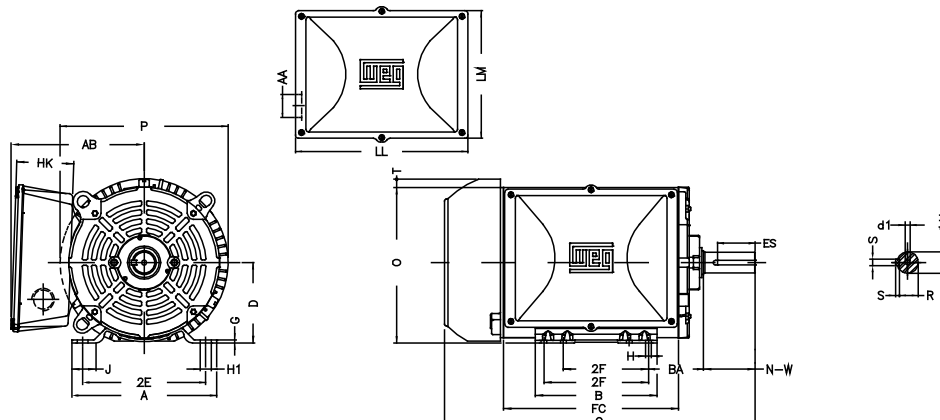
Frames 56H - 143T/5T



Frame 182/4T



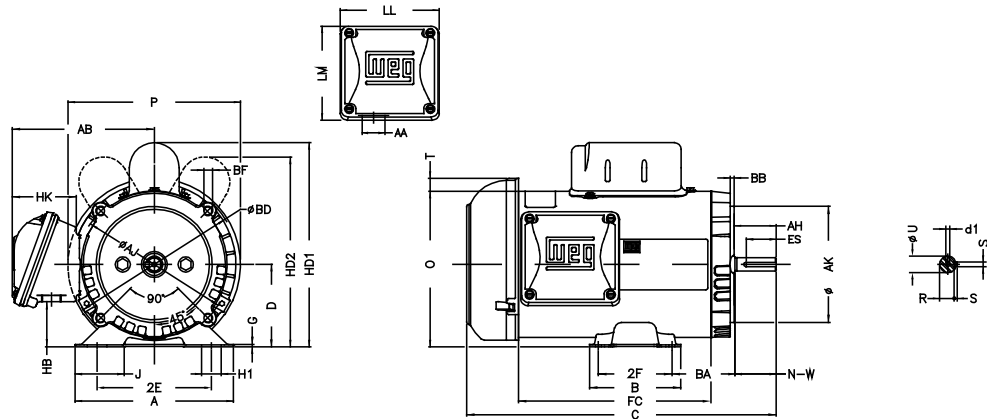
Frame 213/5T



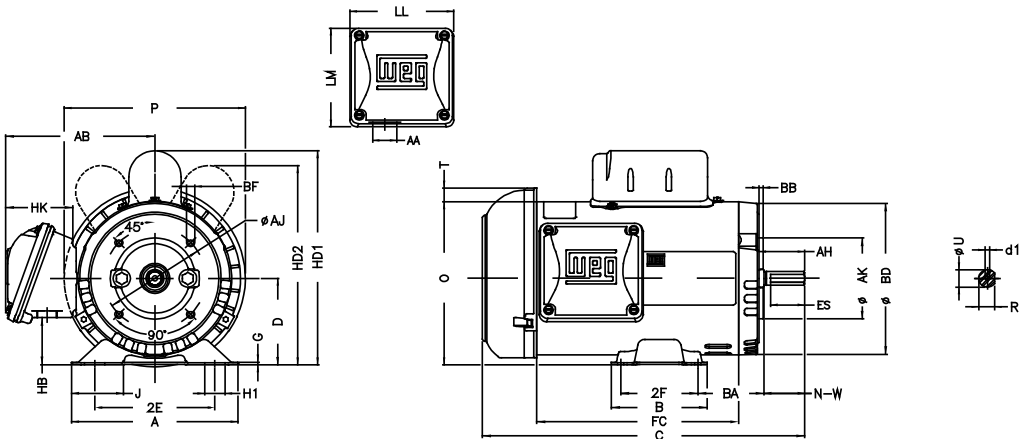
## Single Phase - General Purpose - TEFC - Rolled Steel - Standard Efficiency - C-Face

Frame	Type	Flange	Size	AJ	AK	BD	S	T	AH	Angle	BB	BF Number
W56	C	C	FC-149	5.874	4.5	6.47	UNC 3/8"x16-2B	0.157	2.063	45°	0.157	4
48	C	C	FC-95	3.748	3	4.74	UNC 1/4"x20-2B	0.157	1.689	45°	0.157	4
56	C	C	FC-149	5.874	4.5	6.45	UNC 3/8"x16-2B	0.157	2.062	45°	0.157	4
143/5T	C	C	FC-149	5.874	4.5	6.45	UNC 3/8"x16	0.157	2.132	45°	0.157	4
56H	C	C	FC-149	5.874	4.5	6.45	UNC 3/8"x16-2B	0.157	2.062	45°	0.157	4
182/4T	C	C	FC-184	7.25	8.5	8.846	UNC 1/2"x13	0.25	2.62	45°	0.25	4
213/5T	C	C	FC-184	7.25	8.5	9.401	UNC 1/2"x13	0.25	3.129	45°	0.25	4

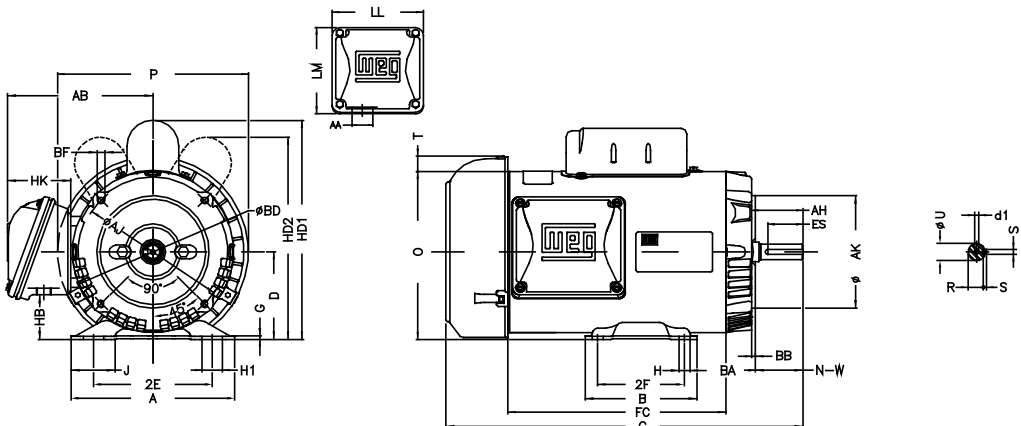
Frame W56



Frame 48

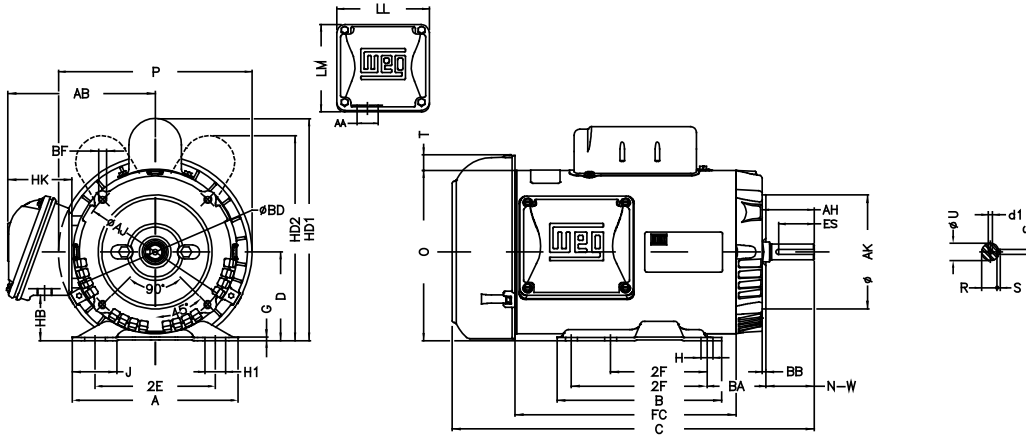


Frame 56

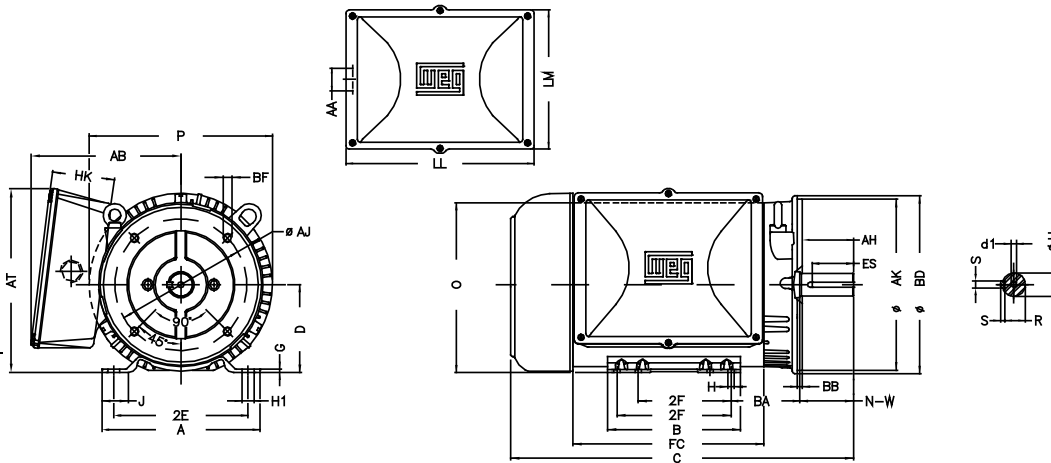


## Single Phase - General Purpose - TEFC - Rolled Steel - Standard Efficiency - C-Face

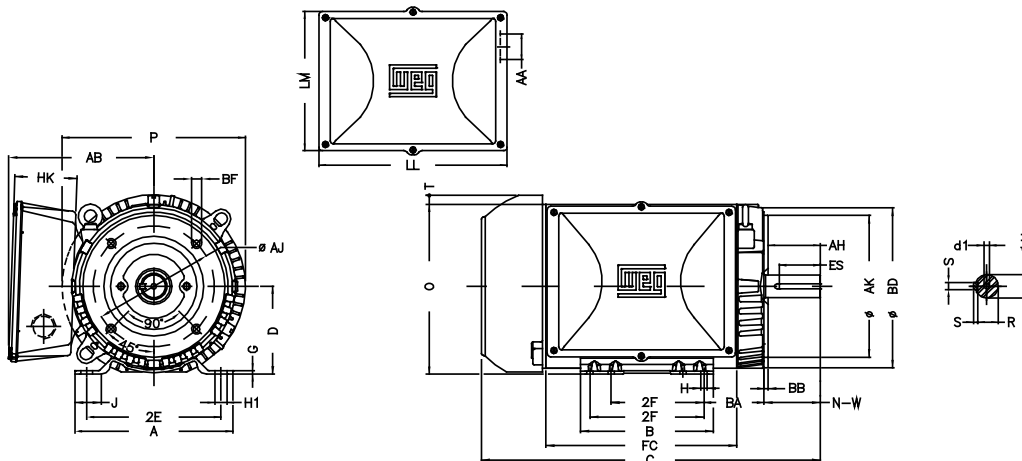
Frames 56H - 143/5T



Frame 182/4T



Frame 213/5T



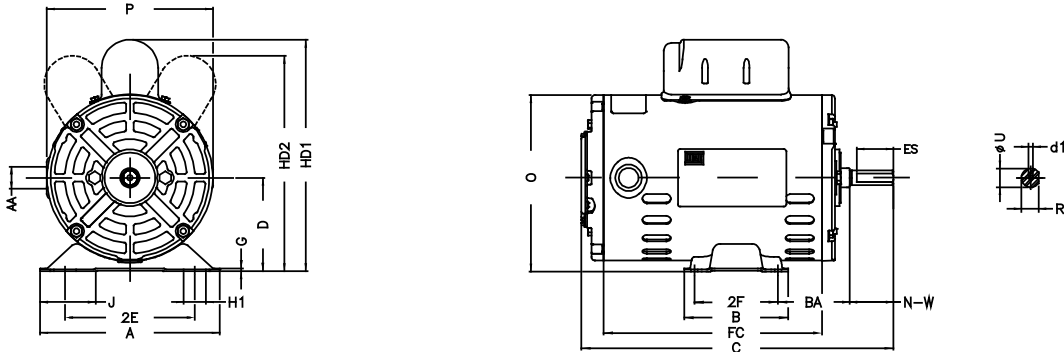
## Single Phase - General Purpose - ODP - Rolled Steel - Standard Efficiency

Frame	2E	J	A	P	AB	AH	2F	B	BA	CH	U	N-W	Key Length	R
48	4.236	1.835	6.142	5.709	5.52	1.689	2.748	3.543	2.5	1.22	0.5	1.5	1.26	0.451
W56	4.874	1.62	6.535	5.709	5.52	2.063	3	4.016	2.75	1.22	0.625	1.874	1.417	0.517
56	4.874	1.732	6.535	6.456	3.323	2.062	3	4.016	2.75	1.377	0.625	1.874	1.417	0.517
56H	4.874	1.732	6.535	6.456	5.882	2.062	3.000/5.000	6.496	2.75	1.377	0.625	1.874	1.417	0.517
143/5T	5.5	1.732	6.535	6.467	5.882	2.132	4.000/5.000	6.496	2.25	1.377	0.875	2.25	1.417	0.771
182/4T	7.5	1.299	8.661	8.114	6.696	2.62	4.500/5.500	6.299	2.75	1.377	1.125	2.75	1.969	0.984
213/5T	8.5	1.575	9.449	9.846	7.973	3.129	5.500/7.000	7.953	3.5	1.929	1.375	3.38	2.48	1.203

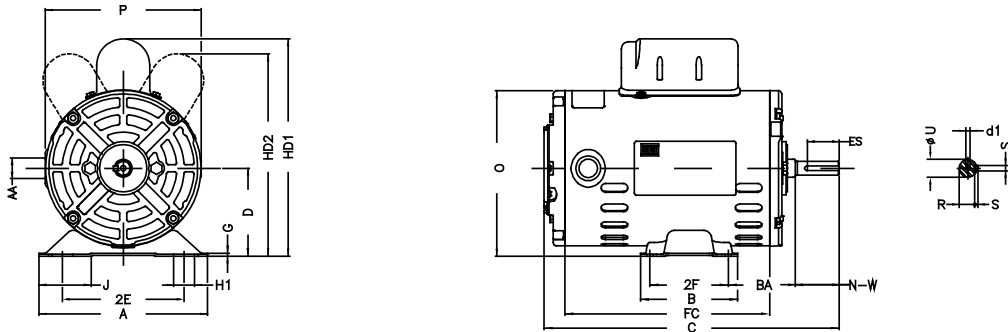
Frame	D	G	HB	O	HD	HK	Hole H	C	LL	LM	S	AA	T	DE	NDE
48	3	0.075	1.559	5.83	6.354	2.65	0.343	*	3.835	3.697		NPT 1/2"	0.524	6203 ZZ	6202 ZZ
W56	3.5	0.12	2.055	6.33	6.854	2.65	0.343	*	3.835	3.697	0.187	NPT 1/2"	0.524	6203 ZZ	6202 ZZ
56	3.5	0.12	1.784	6.724	6.728	2.629	0.343	*	4.563	4.09	0.187	NPT 1/2"	0.004	6203 ZZ	6202 ZZ
56H	3.5	0.12	1.783	6.724	6.728	2.638	0.343	*	4.543	4.106	0.187	NPT 1/2"	0.004	6204 ZZ	6202 ZZ
143/5T	3.5	0.12	1.783	6.724	6.728	2.638	0.343	*	4.543	4.106	0.187	1.118"	0.004	6205 ZZ	6202 ZZ
182/4T	4.5	0.167	2.784	8.557	8.557	2.629	0.406	*	4.563	4.09	0.25	1.118"	0	6206 ZZ	6205 ZZ
213/5T	5.25	0.167	2.982	10.144	10.173	3.022	0.406	*	5.551	5.25	0.313	1.377"	0.029	6208 ZZ	6206 ZZ

Dimensions change with output speed

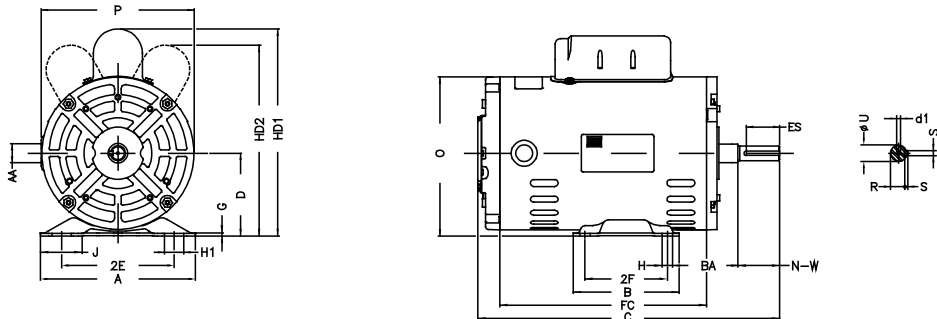
Frame 48



Frame W56

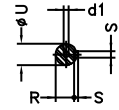
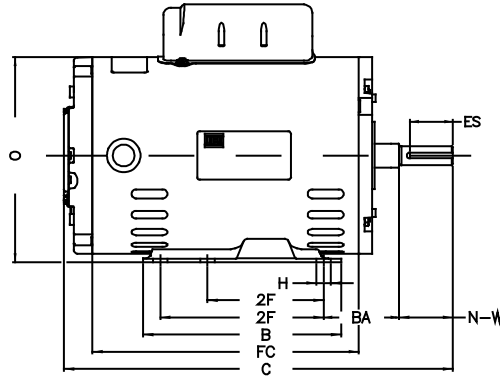
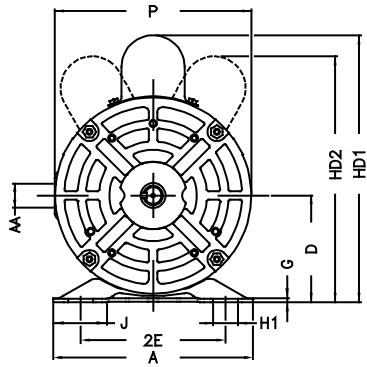


Frame 56

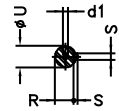
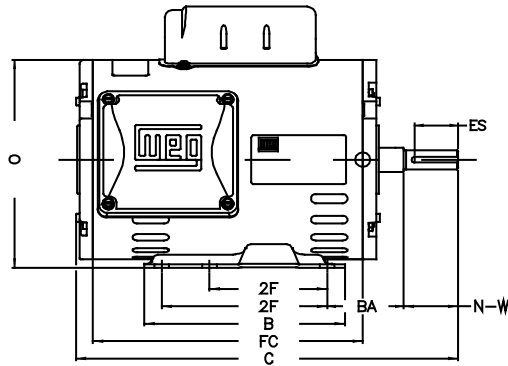
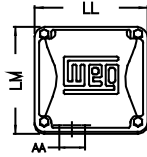
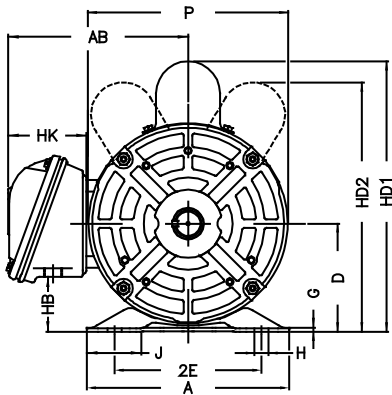


## Single Phase - General Purpose - ODP - Rolled Steel - Standard Efficiency

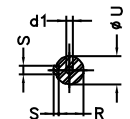
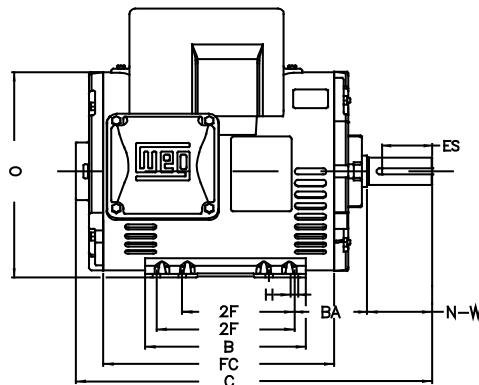
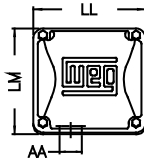
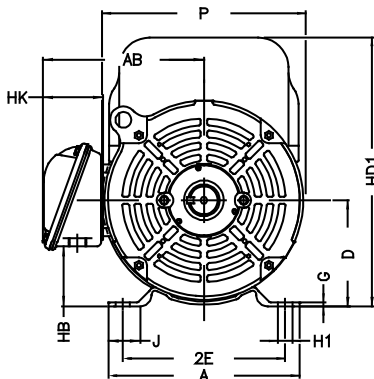
### Frame 56H



### Frame 143/5T



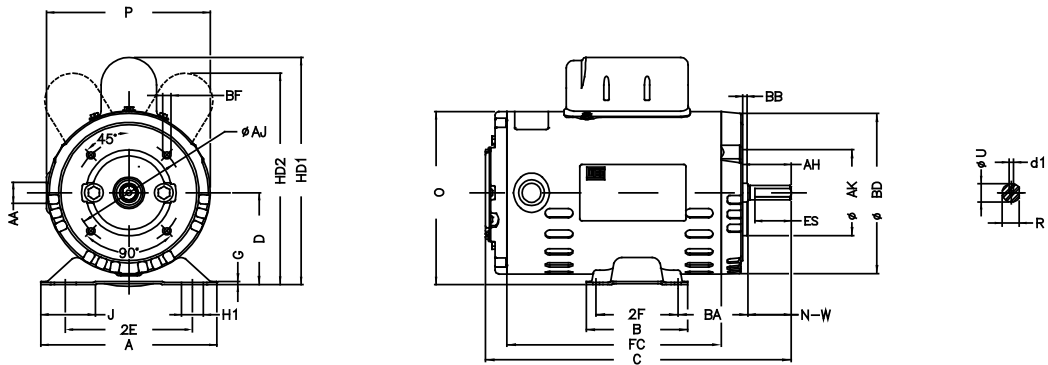
### Frame 182/4T - 213/5T



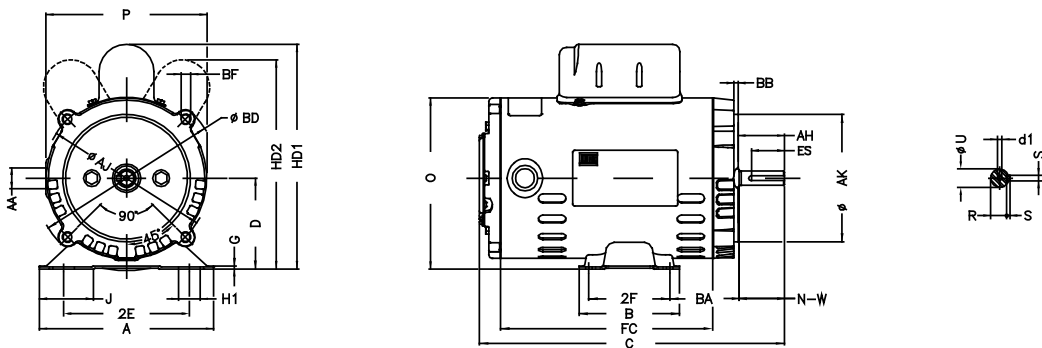
## Single Phase - General Purpose - ODP - Rolled Steel - Standard Efficiency - C-Face

Frame	Type	Flange	Size	AJ	AK	BD	S	T	AH	Angle	BF Number
W56	C	C	FC-149	5.874	4.5	6.47	UNC 3/8"x16-2B	0.157	2.063	45°	4
48	C	C	FC-95	3.748	3	4.74	UNC 1/4"x20-2B	0.157	1.689	45°	4
56	C	C	FC-149	5.874	4.5	6.45	UNC 3/8"x16-2B	0.157	2.062	45°	4
143/5T	C	C	FC-149	5.874	4.5	6.45	UNC 3/8"x16	0.157	2.132	45°	4
56H	C	C	FC-149	5.874	4.5	6.45	UNC 3/8"x16-2B	0.157	2.062	45°	4
182/4T	C	C	FC-184	7.25	8.5	8.846	UNC 1/2"x13	0.25	2.62	45°	4
213/5T	C	C	FC-184	7.25	8.5	9.401	UNC 1/2"x13	0.25	3.129	45°	4

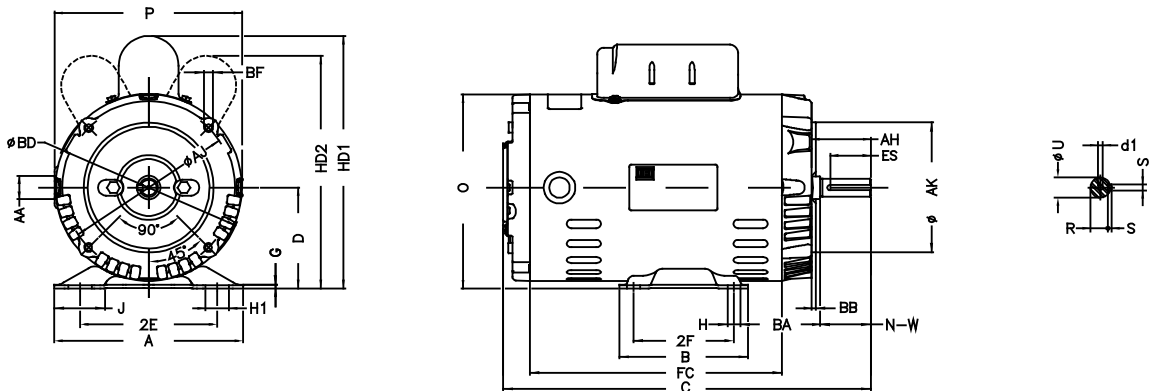
Frame 48



Frame W56

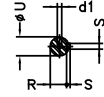
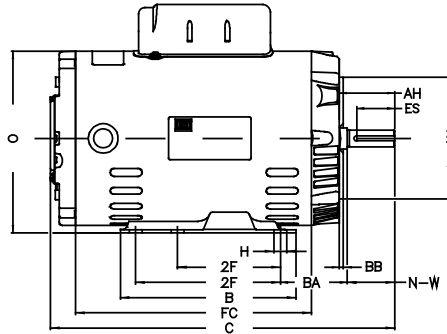
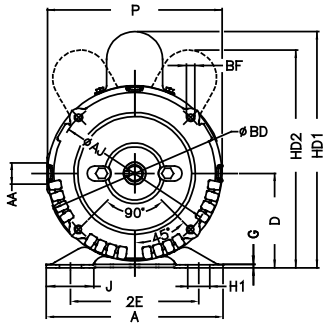


Frame 56

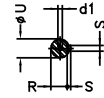
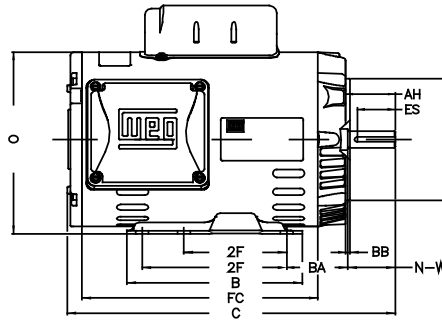
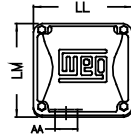
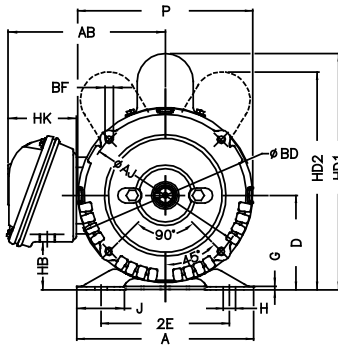


## Single Phase - General Purpose - ODP - Rolled Steel - Standard Efficiency - C-Face

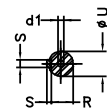
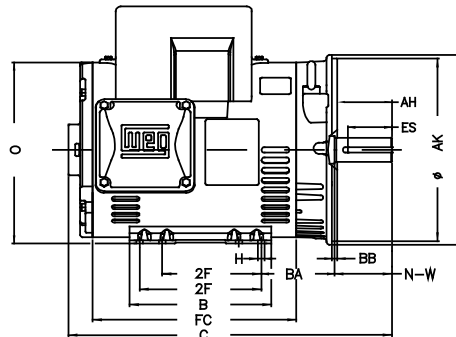
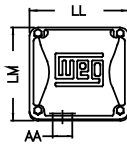
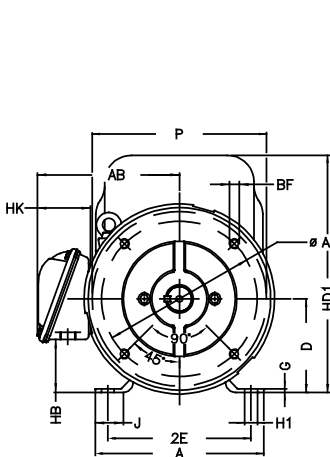
### Frame 56H



### Frame 143/5T



### Frame 182/4T - 213/5T





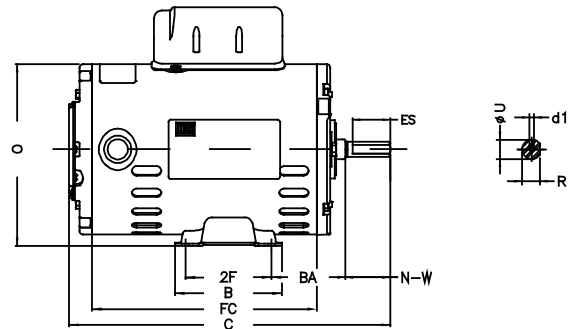
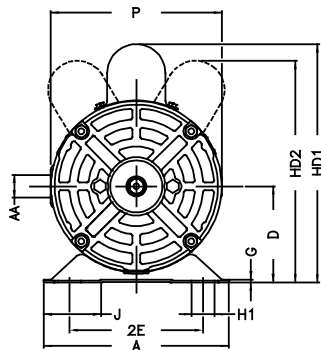
## Single Phase - General Purpose - ODP - Rolled Steel - Premium Efficiency

Frame	2E	J	A	P	AB	AH	2F	B	BA	CH	U	N-W	Key Length	R	Depth
48	4.236	1.835	6.142	5.709	5.52	1.689	2.748	3.543	2.5	1.22	0.5	1.5	1.26	0.451	
W56	4.874	1.62	6.535	5.709	5.52	2.063	3	4.016	2.75	1.22	0.625	1.874	1.417	0.517	0.187
56	4.874	1.732	6.535	6.456	3.323	2.062	3	4.016	2.75	1.377	0.625	1.874	1.417	0.517	0.187
56H	4.874	1.732	6.535	6.456	5.882	2.062	3.000/5.000	6.496	2.75	1.377	0.625	1.874	1.417	0.517	0.187
143/5T	5.5	1.732	6.535	6.467	5.882	2.132	4.000/5.000	6.496	2.25	1.377	0.875	2.25	1.417	0.771	0.187

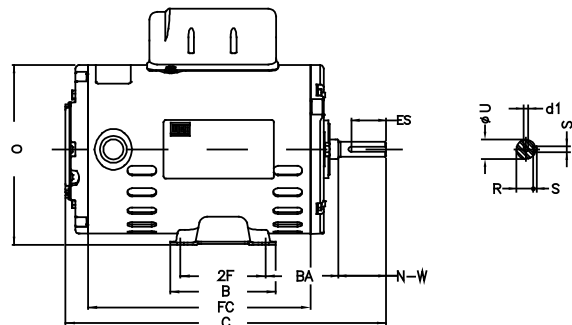
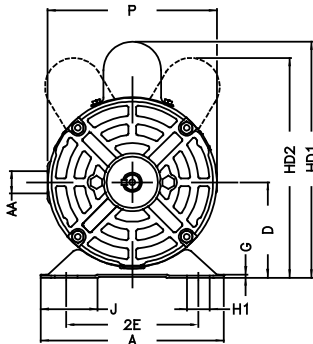
Frame	D	G	HB	O	HD	HK	Hole H	C	LL	LM	S	T	DE	NDE
48	3	0.075	1.559	5.83	6.354	2.65	0.343	*	3.835	3.697		0.524	6203 ZZ	6202 ZZ
W56	3.5	0.12	2.055	6.33	6.854	2.65	0.343	*	3.835	3.697	0.187	0.524	6203 ZZ	6202 ZZ
56	3.5	0.12	1.784	6.724	6.728	2.629	0.343	*	4.563	4.09	0.187	0.004	6203 ZZ	6202 ZZ
56H	3.5	0.12	1.783	6.724	6.728	2.638	0.343	*	4.543	4.106	0.187	0.004	6204 ZZ	6202 ZZ
143/5T	3.5	0.12	1.783	6.724	6.728	2.638	0.343	*	4.543	4.106	0.187	0.004	6205 ZZ	6202 ZZ

Dimensions change with output speed

### Frame 48

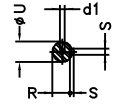
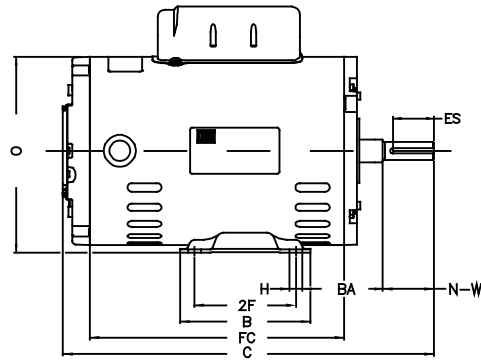
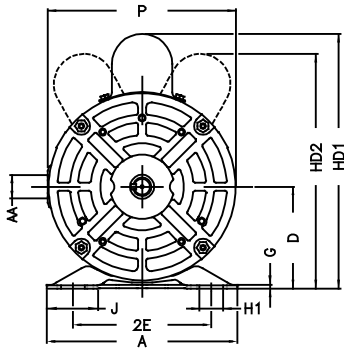


### Frame W56

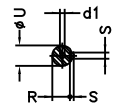
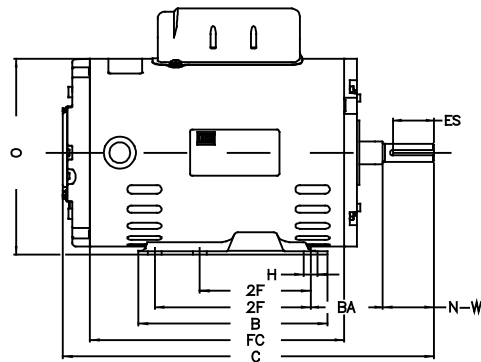
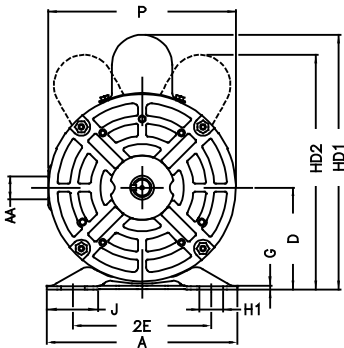


Single Phase - General Purpose - ODP - Rolled Steel - Premium Efficiency

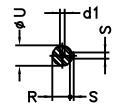
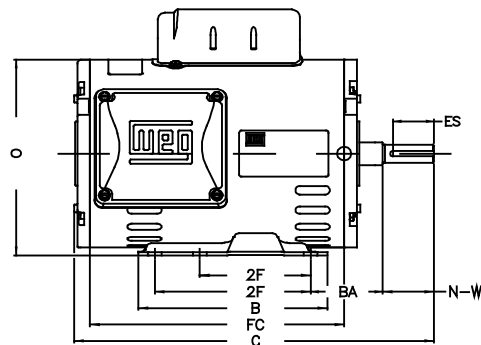
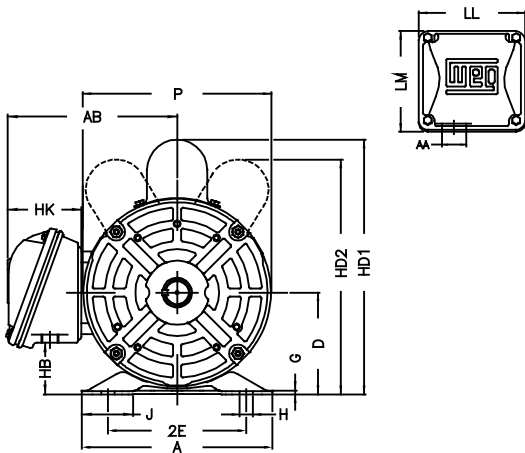
Frame 56



Frame 56H



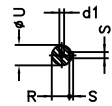
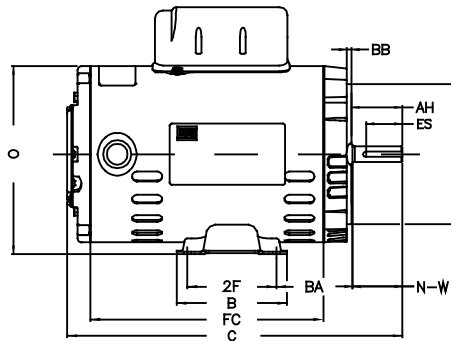
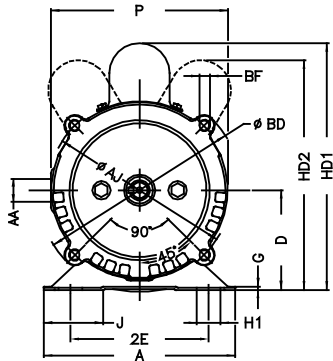
Frame 143/5T



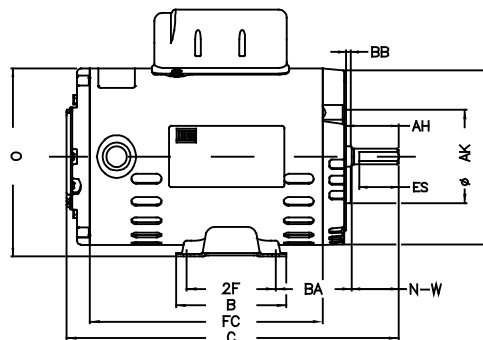
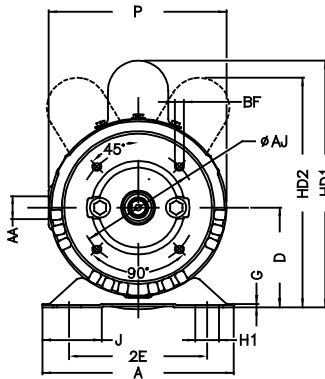
## Single Phase - General Purpose - ODP - Rolled Steel - Premium Efficiency - C-Face

Frame	Type	Flange	Size	BB	AJ	AK	BD	S	T	AH	Angle	BF Number
W56	C	C	FC-149	0.157	5.874	4.5	6.47	UNC 3/8"x16-2B	0.157	2.063	45°	4
48	C	C	FC-95	0.157	3.748	3	4.74	UNC 1/4"x20-2B	0.157	1.689	45°	4
56	C	C	FC-149	0.157	5.874	4.5	6.45	UNC 3/8"x16-2B	0.157	2.062	45°	4
143/5T	C	C	FC-149	0.157	5.874	4.5	6.45	UNC 3/8"x16	0.157	2.132	45°	4
56H	C	C	FC-149	0.157	5.874	4.5	6.45	UNC 3/8"x16-2B	0.157	2.062	45°	4

Frame W56

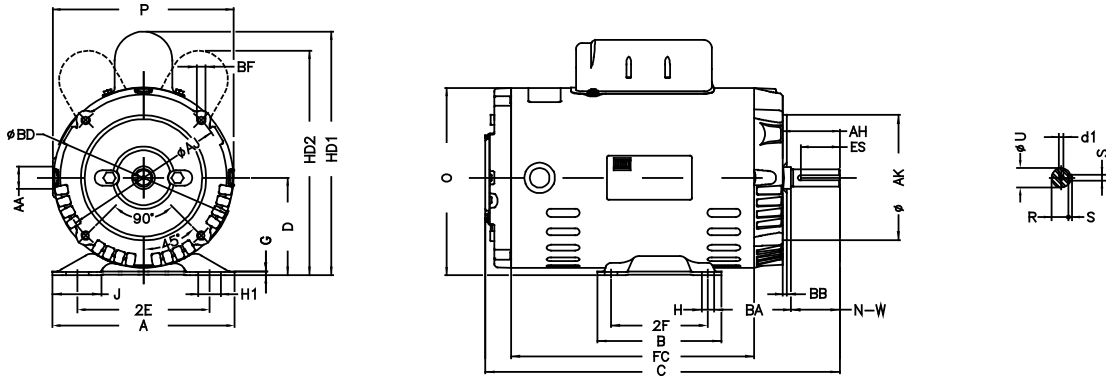


Frame 48

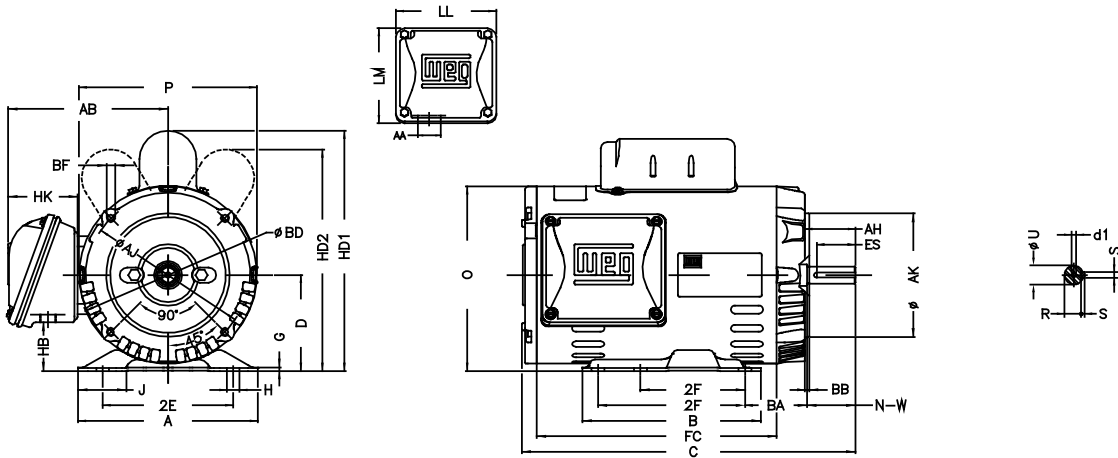


## Single Phase - General Purpose - ODP - Rolled Steel - Premium Efficiency - C-Face

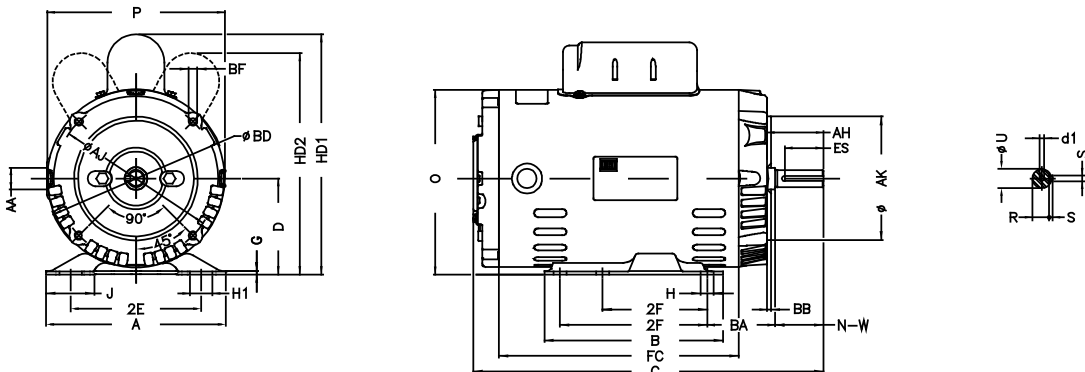
Frame 56



Frame 143/5T



Frame 56H



## TEFC – W22 NEMA Premium® Efficiency

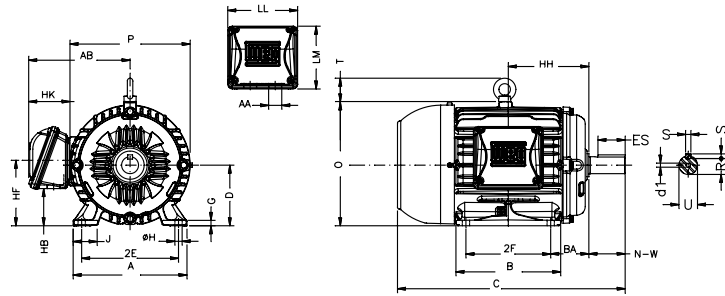
Frame	Mounting				A	B	C	D	G	J	O	K	P	T	Keyway			Shaft Extension																		
	2E	2F	H	BA											S	R	ES	N-W	U																	
143T	5.500	4.000	0.344	2.250	6.457	5.157	12.346	3.500	0.354	1.437	7.122		7.047	-	0.187	0.765	1.575	2.250	0.875																	
L143T						13.566																														
145T						13.346																														
L145T						14.566																														
182T	7.500	4.500	0.406	2.750	8.661	5.945	14.860	4.500	0.394	1.594	9.343	-	8.740	1.772	0.250	0.984	1.969	2.750	1.125																	
L182T						16.041																														
184T						15.860																														
L184T						17.041																														
213T	8.500	5.500	0.531	3.500	9.764	7.362	18.021	5.250	0.827	1.988	10.841		10.669	2.087	0.313	1.203	2.480	3.375	1.375																	
L213T						19.527																														
215T						19.517																														
L215T						20.905																														
254T	10.000	8.252	0.657	4.250	12.126	10.000	23.213	6.250		2.539	12.598	2.559	12.953	2.441	0.375	1.406	2.756	4.000	1.625																	
256T						11.732	24.945										2.480	3.250																		
284TS						11.000	9.500										4.750	13.780	11.575	25.061	3.149	4.622	1.875													
284T						26.433	7.000										1.023	3.110	14.067	2.874	14.173	0.500	1.594	2.756	3.750	1.875										
286TS	11.000	11.000	0.810	7.500	21.929	26.557	39.730	11.000	1.630	3.937	22.795	5.866	23.583	25.866	0.500	1.594	2.756	3.750	2.125																	
286T						27.929	4.622													1.875																
324TS						28.120	3.149													4.622	1.875															
324T						29.620	3.937													3.750	1.875															
326TS	12.500	10.500	0.660	5.250	15.157	29.616	31.116	8.000	1.300	3.189	15.953	3.189	15.827	2.441	0.500	1.844	3.937	5.250	2.125																	
326T						14.567	3.149													4.622	1.875															
364/5TS						14.016	11.260/12.244													0.660	5.875	17.165	16.220	32.276	9.000	1.480	3.150	17.957	4.921	17.914	25.866	0.625	2.019	4.330	5.874	2.375
364/5T						34.251	0.500													1.842	2.756	4.250	2.125													
404/5TS	15.984	12.244/13.740	0.810	6.625	19.921	18.386	36.732	10.000	1.811		19.566	5.669	19.134	23.583	0.750	2.449	5.512	7.250	2.875																	
404/5T	39.730	0.625	2.021	3.000	4.750	2.375																														
444/5TS	18.000	14.500/16.500	0.810	7.500	21.929	20.315	41.200	11.000	1.630	3.937	22.795	5.866	23.583							25.866	0.625	2.021	3.000	4.750	2.375											
444/5T						44.950	0.875																			2.880	7.087	8.500	3.375							
445/7TS						16.500/20.000	0.810							7.500	21.929	23.897	44.951	11.000	1.654								4.331	6.692	23.583	25.866	0.625	2.021	3.000	4.750	2.375	
445/7T																48.701	0.875																			2.880
447/9TS	20.000/25.000	0.810	7.500	21.929	52.588			55.027	11.000	1.630	3.937	23.874	8.780			25.866	28.977			0.625	2.021	3.000	4.750	2.375												
447/9T					56.338			0.875																	2.880											7.087
L447/9TS					20.000/25.000	0.810	7.500	21.929						31.535	53.431			11.000	1.630						3.937	23.874	8.780	25.866	28.977	0.625	2.021	3.000	4.750	2.375		
L447/9T														57.181	0.875																				2.880	7.087
504/5TS	20.000	16.000/18.000	1.250	8.500					24.724	24.449	48.215	12.500	2.146	4.724	25.425	7.228	25.866			0.625	2.021	3.000	4.750	2.375												
504/5T																																			54.095	0.875
586/7TS					23.000	22.000/25.000	1.181	10.000										29.528	29.921						55.027	14.500	2.492	5.512	28.985	9.055	28.977	0.625	2.021	3.000	4.750	2.375
586/7T																																				
588/9TS	28.000/32.000	1.181	10.000	29.528					37.980	62.506	69.381	14.500	2.492	5.512	28.985	13.030	28.977			0.625	2.021	3.000	4.750	2.375												
588/9T																																				

Frame	Terminal Box											d1	Bearings																								
	AB	HB	HD	HF	HG	HH	HK	LL	LM	AA	D.E.		N.D.E.																								
143T	6.181	1.728		3.500		4.250	2.638		4.527	4.094	NPT3/4"																										
L143T						4.750																															
145T						5.000																															
L145T						5.500																															
182T	7.559	2.236		4.500		5.000	3.110		5.512	5.236	NPT1"																										
L182T						5.500																															
184T						6.250																															
L184T						7.000																															
213T	8.583	3.006		5.250		8.376	9.950	3.937	7.795	7.402	NPT1 1/2"																										
L213T						9.250																															
215T						10.250																															
L215T						10.500																															
254T	10.394	3.061		6.565		11.250	4.645	8.976	8.543	NPT 2"																											
256T						12.362																															
284TS						16.378														4.055		7.000		14.213	6.378	9.646	10.119	NPT 3"									
284T						15.748														5.040				6.316 C3													6.314 C3
286TS	18.386	5.394		8.708		15.748	5.787	11.811	11.890	NPT 3"																											
286T						17.441														6.319 C3				6.316 C3													
324TS						20.670														15.078	27.401	25.889	27.007	11.803	6.968	14.646	15.040	NPT 2"									
324T																								12.362													
326TS	23.071	15.078	27.401	25.889	27.007		11.500	8.464	15.906	17.244	NPT 2"																										
326T							12.362																														
364/5TS						20.670	15.275													30.305	24.291	29.409	10.394		6.968	14.646	15.040	NPT 2"									
364/5T																							12.362														
404/5TS	23.977	18.149	35.354	27.559	30.801			13.386	12.519 (side mounted)/ 13.977 (top mounted)	15.906	17.244	NPT 2"																									
404/5T								12.362																													
444/5TS						27.600	6.063	35.346												26.182	33.346	13.386			12.519 (side mounted)/ 13.977 (top mounted)	15.906	17.244	NPT 2"									
444/5T																						12.362															
445/7TS	27.600	6.063	35.346	26.182	33.346				13.386	12.519 (side mounted)/ 13.977 (top mounted)	15.906	17.244	NPT 2"																								
445/7T									12.362																												
447/9TS						27.600	6.063	35.346	26.182											33.346	13.386				12.519 (side mounted)/ 13.977 (top mounted)	15.906	17.244	NPT 2"									
447/9T																					12.362																
L447/9TS	27.600	6.063	35.346	26.182	33.346					13.386	12.519 (side mounted)/ 13.977 (top mounted)	15.906	17.244	NPT 2"																							
L447/9T										12.362																											
504/5TS						27.600	6.063	35.346	26.182	33.346										13.386					12.519 (side mounted)/ 13.977 (top mounted)	15.906	17.244	NPT 2"									
504/5T																				12.362																	
586/7TS	27.600	6.063	35.346	26.182	33.346						13.386	12.519 (side mounted)/ 13.977 (top mounted)	15.906	17.244	NPT 2"																						
586/7T											12.362																										
588/9TS						27.600	6.063	35.346	26.182	33.346	13.386														12.519 (side mounted)/ 13.977 (top mounted)	15.906	17.244	NPT 2"									
588/9T											12.362																										

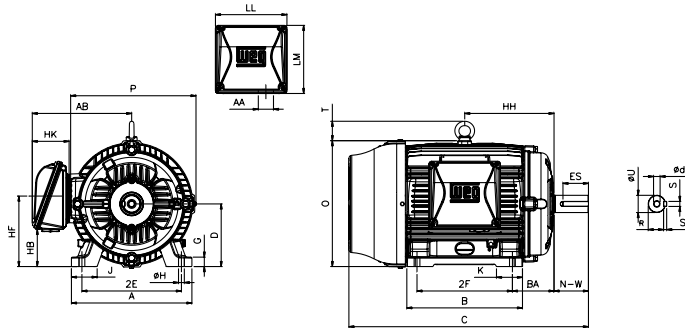
Note:  
182T and 184T motors are not available in F-3 mounting.

TEFC – W22 NEMA Premium® Efficiency *continued*

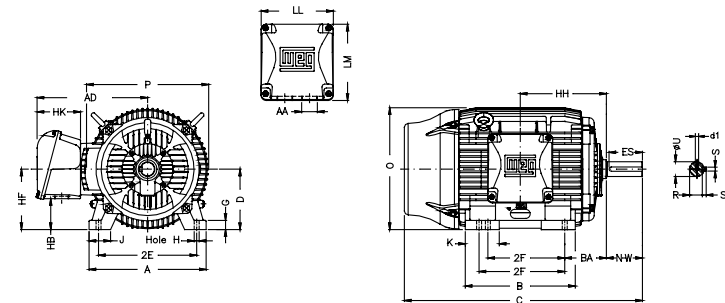
Frames 143T to 215T



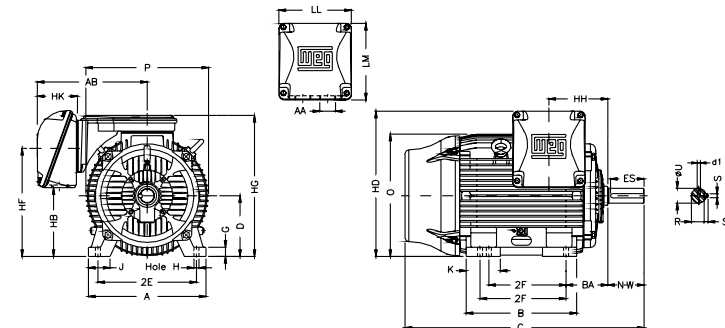
Frames 254T to 326T



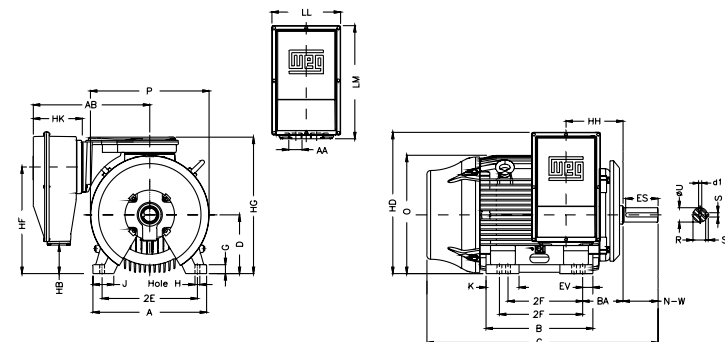
Frames 364 to 444/5T



Frames 445/7T to 586/7T

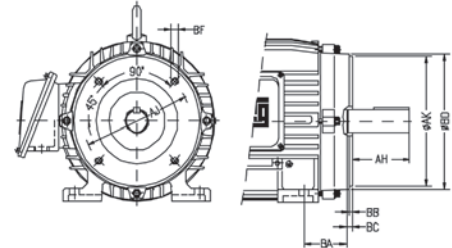


Frame 588/9T



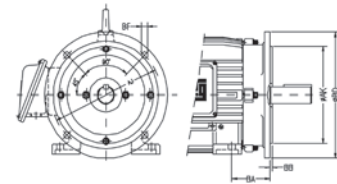
## C & D Flanges Dimensions – Valid for Cast Iron TEFC and ODP - C-Flange additional detail

Frame	Type	Size	AJ	AK	AH	BA	BB	BC	BD	BF (holes)	
										Quantity	Thread
143/5	C	FC-140	5.875	4.500	2.125	2.250	0.157	0.125	6.500	4	UNC 3/8"x16
182/4	C	FC-184	7.250	8.500	2.625	2.750	0.125		8.875		
213/5	C				3.125	3.500					
254/6	C				3.750	4.250					
284/6T	C	FC-228	9.000	10.500	4.375	4.750	0.125	11.030			
284/6TS	C				3.000						
324/6T	C	FC-279	11.000	12.500	5.000	5.250	0.125	13.580			
324/6TS	C				3.500						
364/5T	C				5.625	5.875					
364/5TS	C				3.500						
404/5T	C				7.000	6.625					
404/5TS	C				4.000						
444/5T	C	FC-355	14.000	16.000	8.250	7.500	0.250	17.910			
444/5TS	C				4.500						
445/7T	C				8.250						
445/7TS	C				4.500						
447/9T	C				8.250						
447/9TS	C				4.500						
504/5T	C	FC-368	14.500	16.500	10.375	8.500	0.250	17.910			
504/5TS	C				4.500						
586/7T	C				11.375	10.000					
586/7TS	C				4.500						
588/9T	C				11.375						
588/9TS	C				4.500						



## D-Flange additional detail

Frame	Type	Size	AJ	AK	BA	BB	BD	BF (holes)	
								Quantity	Thread
143/5	D	FD-254	10.000	9.000	2.250	0.197	11.000	4	0.562
182/4	D				2.750				
213/5	D				3.500				
254/6	D	FD-317	12.500	11.000	4.250	0.203	14.000	4	0.828
284/6T	D				4.750				
284/6TS	D	FD-406	16.000	14.000	5.250	0.197	17.710	8	0.828
324/6T	D				5.875				
324/6TS	D								
364/5T	D				7.500				
364/5TS	D								
404/5T	D				8.500				
404/5TS	D	10.000							
444/5T	D		18.000						
444/5TS	D	7.500							
445/7T	D		21.650						
445/7TS	D	24.800							
447/9T	D		24.800						
447/9TS	D	32.000							
504/5T	D		FD-558	22.000	30.000	10.000	0.250	32.000	8
504/5TS	D								
586/7T	D	FD-762	30.000	30.000	10.000	0.250	32.000	8	0.828
586/7TS	D								
588/9T	D								
588/9TS	D								

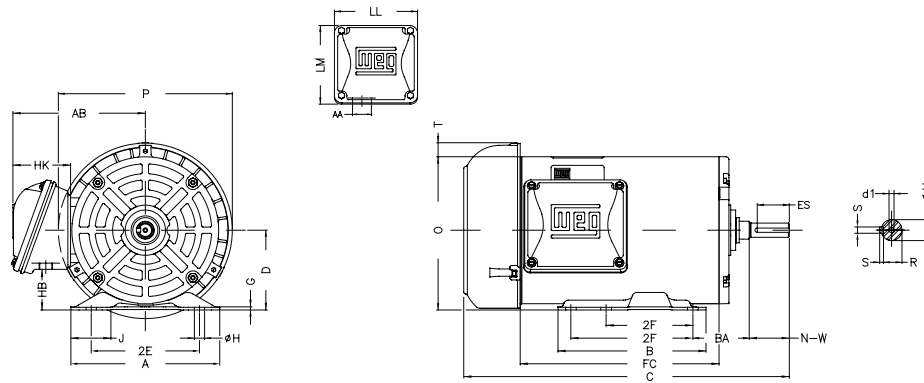


## Rolled Steel - General Purpose - Three Phase - TEFC

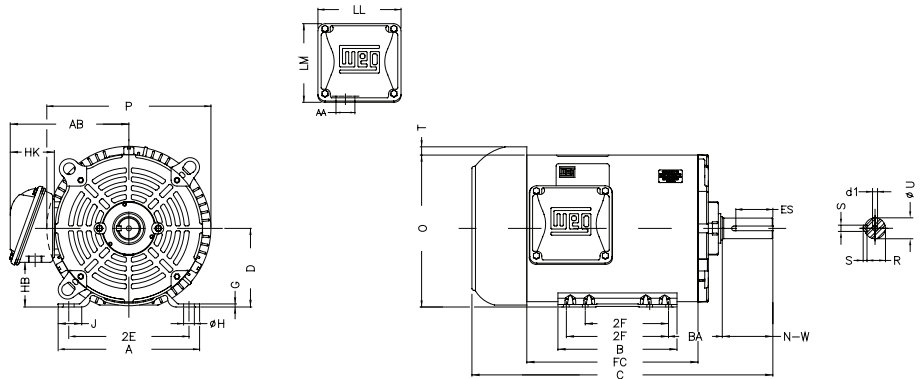
Frame	P	AB	HK	HB	J	2E	A	H1	D	G	LL	LM
143/5T	7.638	5.882	2.638	1.783	1.732	5.500	6.535	-	3.500	0.120	4.543	4.106
182/4T	9.435	6.696	2.629	2.784	1.299	7.500	8.661	-	4.500	0.167	4.563	4.090
213/5T	10.965	7.973	3.022	2.982	1.575	8.500	9.449	-	5.250	0.167	5.551	5.250
254/6T	13.180	9.448	3.645	3.631	1.693	10.000	11.417	-	6.250	0.187	6.299	6.017

Frame	AA	O	T	Hole H	2F	B	BA	N-W	ES	U	d1	S	R
143/5T	1.118"	6.724	0.603	0.343	4.000/5.000	6.496	2.250	2.250	1.417	0.875	A 3.15	0.187	0.771
182/4T	1.118"	8.557	0.661	0.406	4.500/5.500	6.299	2.750	2.750	1.969	1.125	A 3.15	0.250	0.984
213/5T	1.377"	10.144	0.761	0.406	5.500/7.000	7.953	3.500	3.380	2.480	1.375	A 4	0.313	1.203
254/6T	1.732"	12.010	0.83	0.530	8.252/10.000	11.417	4.250	4.000	2.756	1.625	A 4	0.375	1.416

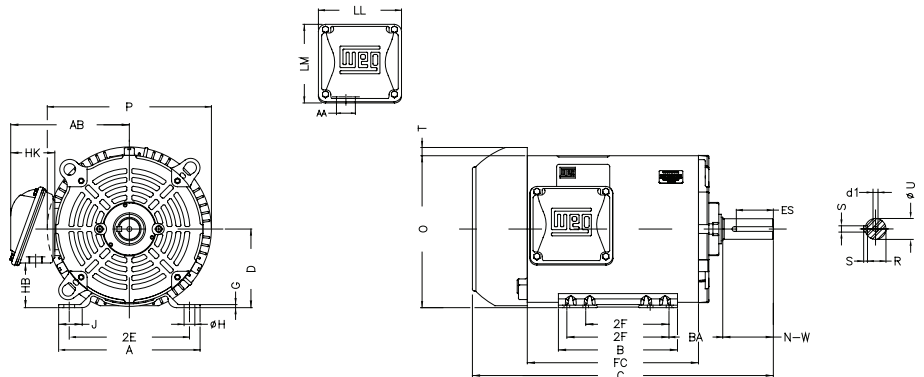
### Frames 143



### Frames 182



### Frame 213 to 256



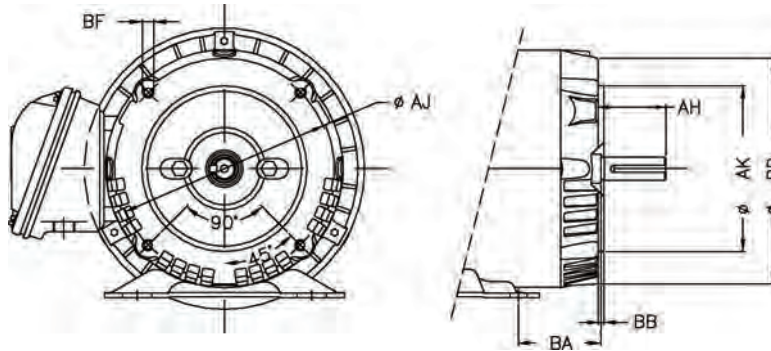


## Rolled Steel - General Purpose - Three Phase - TEFC - *continued*

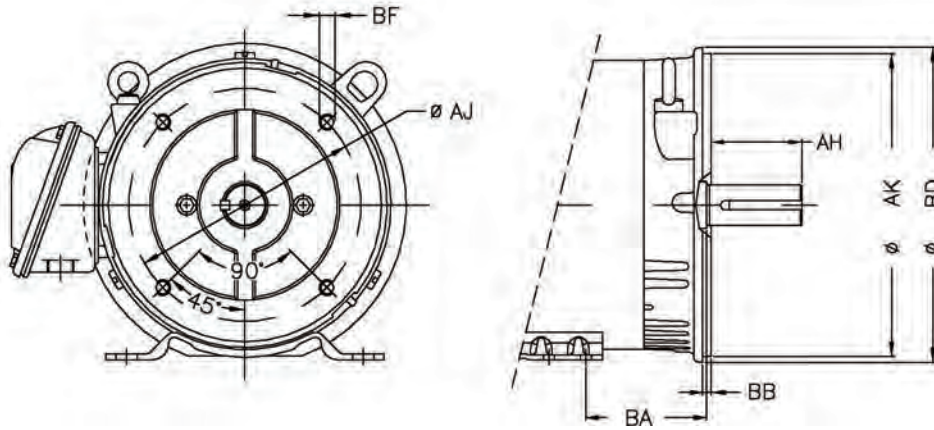
Dimensions for C-Face motors

Frame	Size	AJ	AK	BD	BF	BB	AH	Angle	BF Number
143/5T	FC-149	5.874	4.500	6.449	UNC 3/8"x16	0.157	2.132	45°	4
182/4T	FC-184	7.250	8.500	8.846	UNC 1/2"x13	0.250	2.620	45°	4
213/5T	FC-184	7.250	8.500	9.401	UNC 1/2"x13	0.250	3.129	45°	4
254/6T	FC-184	7.250	8.500	11.084	UNC 1/2"x13	0.250	3.750	45°	4

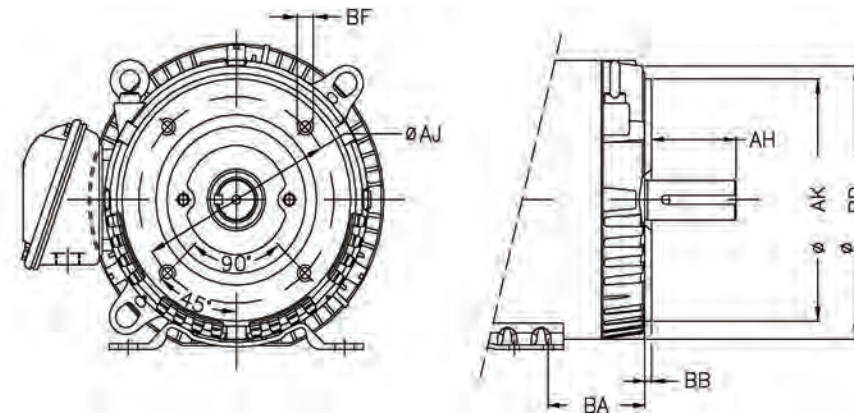
Frames 143



Frames 182



Frame 213 to 254

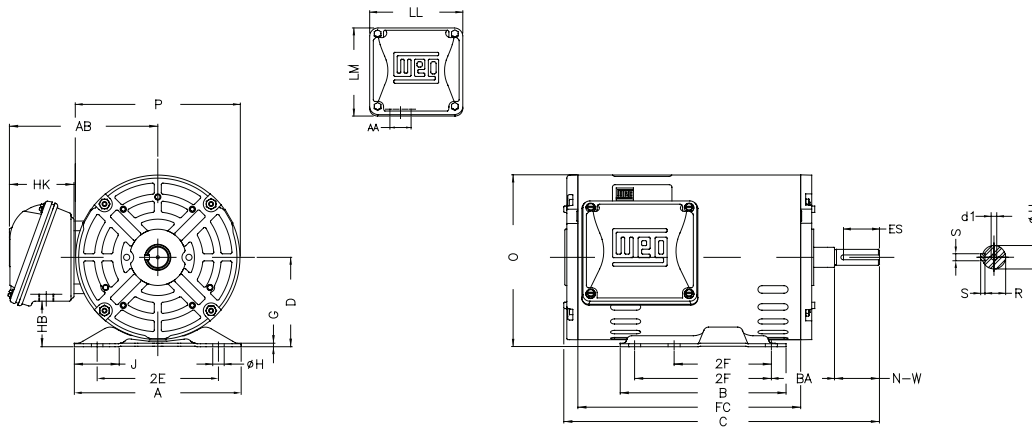


## Rolled Steel - General Purpose - Three Phase - ODP

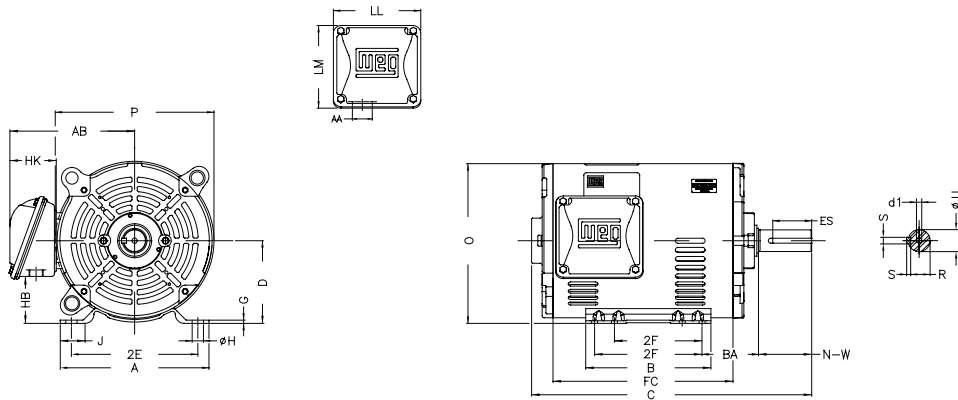
Frame	A	AA	AB	P	2E	J	HB	HK	H1	G	D	HD1
143/5T	6.535	1.118"	5.882	6.467	5.500	1.732	1.783	2.638	-	0.120	3.500	8.622
182/4T	8.661	1.118"	6.696	8.114	7.500	1.299	2.784	2.629	-	0.167	4.500	11.441
213/5T	9.449	1.377"	7.973	9.846	8.500	1.575	2.982	3.022	-	0.167	5.250	13.764

Frame	HD2	LL	LM	O	2F	H	B	BA	N-W	ES	U	d1	R	S
143/5T	8.150	4.543	4.106	6.724	4.000/5.000	0.343	6.496	2.250	2.250	1.417	0.875	A 3.15	0.771	0.187
182/4T	-	4.563	4.090	8.557	4.500/5.500	0.406	6.299	2.750	2.750	1.969	1.125	A 3.15	0.984	0.250
213/5T	-	5.551	5.250	10.144	5.500/7.000	0.406	7.953	3.500	3.380	2.480	1.375	A 4	1.203	0.313

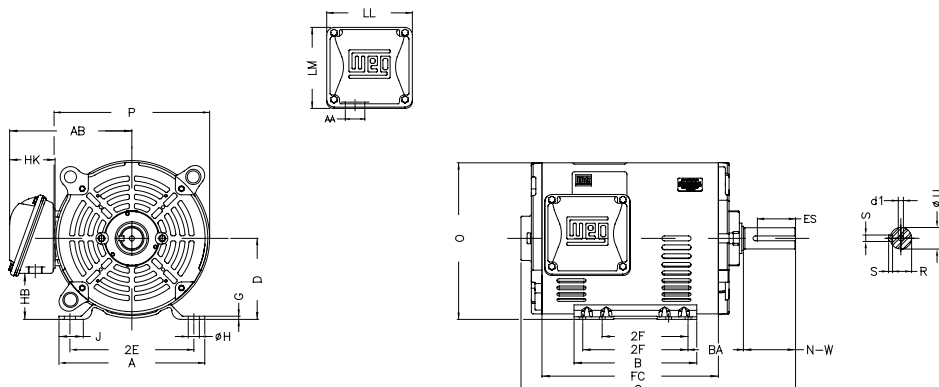
### Frames 143



### Frames 182



### Frame 213 to 256



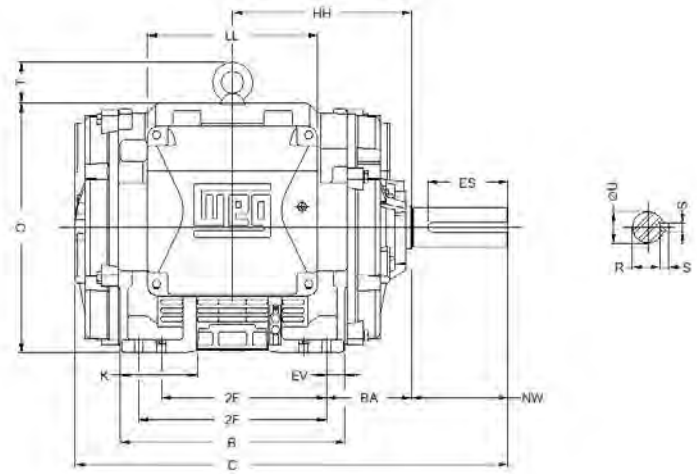
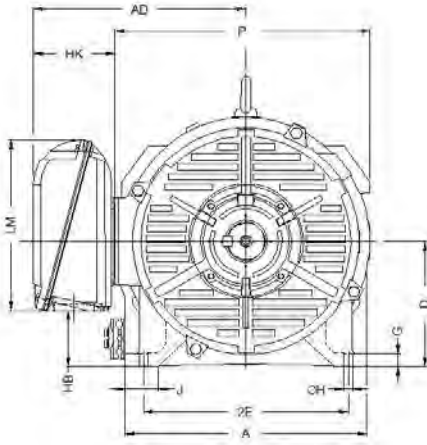
## ODP – Cast Iron - Three Phase - General Purpose

NEMA FRAMES	MOUNTING				A	B	C	C WITH DRIP COVER	CH	D	G	J	
	2E	2F	H	BA									
254T	10.000	8.250	0.530	4.250	11.496	9.507	20.537	22.368	1.831	6.250	0.630	1.526	
254/6T		8.250				11.200	22.285	24.116				1.485	
		10.000											
284T	11.000	9.500	0.530	4.750	13.780	11.032	23.158	25.028	1.870	7.000	0.787	2.496	
284TS						21.783	23.653						
284/6T		9.500				12.529	24.658	26.529					
		11.000					23.283	25.154					
284/6TS		11.000											
324T	12.500	10.500	0.660	5.250	15.157	12.176	25.807	27.677	1.870	8.000	0.974	2.802	
324TS						24.307	27.177						
324/6T		10.500				13.554	27.307	29.177					
		12.000					25.807	27.677					
324/6TS		12.000											
364/5T	14.000	11.250	0.810	5.875	17.165	15.323	29.725	32.186	2.461	9.000	1.181	3.524	
		12.250					27.600	30.061					
364/5TS		12.250											
404/5T	16.000	12.250	0.810	6.625	19.921	17.866	34.100	36.482	2.382	10.000	1.181	3.937	
		13.750					31.100	33.482					
404/5TS		12.250											
444/5T	18.000	14.500	0.810	7.500	21.260	19.737	38.108	41.199	3.091	11.000	1.181	2.944	
		16.500					34.358	37.449					
444/5TS		14.500											

	K	O	P	P WITH PROTECTION SCREEN	P WITH DRIP COVER	T	KEYWAY			SHAFT EXTENSION		AB	HB	HH	AA	d1	BEARINGS	
							S	R	ES	N-W	U						D.E.	O.D.E.
							254T	3.012	12.337	12.598	12.824						14.913	2.023
254/6T	3.563	0.500	1.591	3.150	4.625	1.875	9.250											
284T	3.434	13.782	14.134	14.360	16.213	1.939	0.374	1.416	2.480	3.250	1.625	11.933	2.670	9.500	NPT1.1/2"	A4	6311-Z-C3	
284TS							0.500	1.591	3.150	4.625	1.875	10.250						
284/6T	3.847	13.782	14.134	14.360	16.213	1.939	0.500	1.591	3.150	4.625	1.875	11.933	2.670	10.250	NPT1.1/2"	A4	6311-Z-C3	
284/6TS							0.374	1.416	2.480	3.250	1.625							
324T	3.867	15.492	15.669	15.895	17.669	2.252	1.845	3.937	5.250	2.125				10.500	NPT2"	A4		6211-Z-C3
324TS							1.591	2.756	3.750	1.875								
324/6T	4.359	15.492	15.669	15.895	17.669	2.265	0.500	1.845	3.937	5.250	2.125	13.394	3.658	11.250	NPT2"	A4	6312-Z-C3	
324/6TS							1.591	2.756	3.750	1.875								
364/5T	4.845	18.409	18.406	18.632	19.804	2.795	0.625	2.020	4.331	5.875	2.375	15.583	4.256	12.000	NPT3"	UNC3/4"	6314-C3	
364/5TS							0.500	1.591	1.969	3.750	1.875							
404/5T	5.654	19.409	18.504	18.604	19.803	2.795	0.750	2.449	5.512	7.250	2.875	15.583	5.256	13.500	NPT3"	UNC3/4"	6316-C3	6212-Z-C3
404/5TS							0.500	1.845	2.756	4.250	2.125							
444/5T	6.819	21.945	22.467	22.693	24.402	3.543	0.875	2.878	7.087	8.500	3.375	18.711	4.878	15.750	2xNPT3"	UNC3/4"	6319-C3	6314-Z-C3
444/5TS							0.625	2.021	4.331	4.750	2.375							

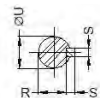
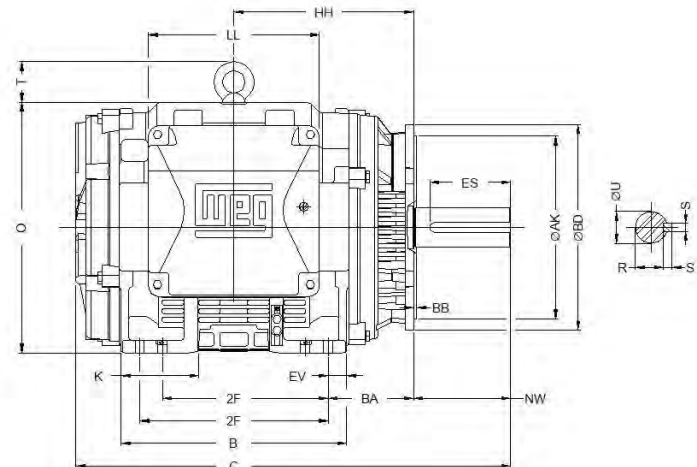
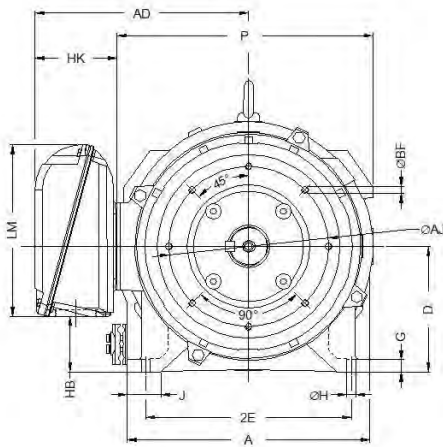
## ODP – Cast Iron - Three Phase - General Purpose- continued

Frame 254T to 444/5TS



### “C” FLANGE DIMENSIONS

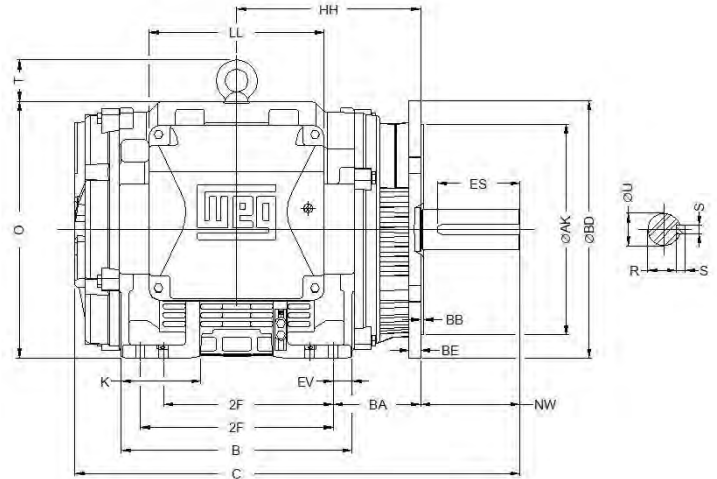
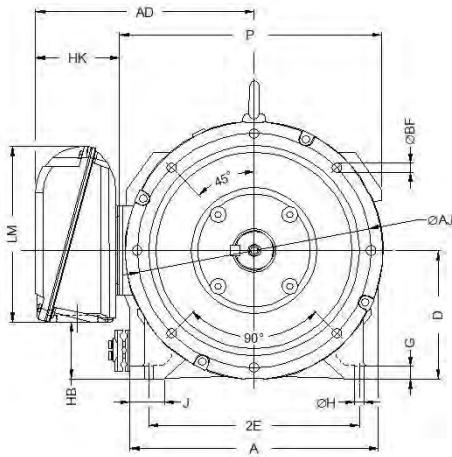
NEMA FRAMES	BA	AJ	AK	BD	BF		BB	BC	AH	C	HH				
					NUMBER	TAP SIZE									
254TC	4.750	7.252	8.500	9.019	4	UNC1/2"-13	0.250	0.250	3.750	21.037	8.876				
254/6TC									22.785	8.876					
284TC	4.750	9.000	10.500	11.295					4.375	23.158	9.500				
284TSC									3.000	21.783	10.250				
284/6TC	5.250	11.000	12.500	14.023					8	UNC5/8"-11	0.250	0.250	4.375	24.658	10.500
284/6TSC													3.000	23.283	11.250
324TC	5.250	11.000	12.500	14.023									5.000	25.807	10.500
324TSC													3.500	24.307	11.250
324/6TC	5.875	14.000	16.000	18.024	8	UNC5/8"-11	0.250	0.250					5.000	27.307	11.250
324/6TSC													3.500	25.807	12.000
364/5TC	5.875	14.000	16.000	18.024	8	UNC5/8"-11	0.250	0.250					5.625	29.725	12.000
364/5TSC													3.500	27.600	13.500
404/5TC	6.625	14.000	16.000	18.024	8	UNC5/8"-11	0.250	0.250	7.000	34.100	13.500				
404/5TSC									4.000	31.100	15.750				
444/5TC	7.500	14.000	16.000	18.024	8	UNC5/8"-11	0.250	0.250	8.250	38.325	15.750				
444/5TSC									4.500	34.358					



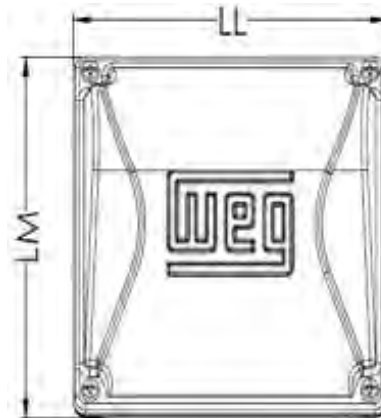
## ODP – Cast Iron - Three Phase - General Purpose

### “D” FLANGE DIMENSIONS

NEMA FRAMES	BA	AJ	AK	BD	BF		BB	C	HH								
					NUMBER	TAP SIZE											
254TD	4.750	12.500	11.000	13.934	4	0.810	0.250	21.037	8.876								
254/6TD								22.785	9.750								
284TD	4.750			23.158				9.500									
284TSD									21.783	10.250							
284/6TD				24.658				27.307	11.250								
284/6TSD				23.283													
324TD	5.250	16.000	14.000	17.717				8	0.810	0.250	25.807	10.500					
324TSD											24.307						
324/6TD				27.307							11.250						
324/6TSD												25.807					
364/5TD	5.875			20.000							18.000	17.633	8	0.810	0.250	29.725	12.000
364/5TSD																27.600	
404/5TD	6.625	21.571	13.500														
404/5TSD					34.100												
444/5TD	7.500				31.100	15.750											
444/5TSD							38.325										
											34.358						



FRAME	TERMINAL BOX	
	LL	LM
254/6	7.813	7.494
284/6	8.571	8.993
324/6	8.993	9.921
364/5	10.591	11.262
404/5		
444/5	14.940	15.063



## Explosion Proof - Three Phase

Frame	2E	2F	A	AA	AB	B	BA	C	D	G	Hole H	J		
143T	5.500	4.000	6.457	NPT 3/4"	6.811	5.157	2.250	12.760	3.500	0.429	0.344	1.496		
145T		5.000				6.142		13.752						
182T	7.500	4.500	8.661		NPT 1"	8.240	5.945	2.750	14.862	4.500	0.787	0.406	1.890	
184T		5.500					6.969		15.862					
213T	8.500	7.000	9.764	NPT 1"	9.252	7.402	3.500	17.952	5.250	0.827	2.008			
215T		5.000				8.898		19.450						
254T	10.000	8.252	12.126	NPT 1 1/2"	11.063	10.000	4.250	23.175	6.250	0.817	0.531	2.520		
256T		10.000				11.732		24.923						
284T	11.000	9.500	13.780		11.850	11.575	4.750	26.407	7.000	1.024		0.657	3.150	
284TS		11.000						25.033						
286T		11.000		27.905										
286TS		11.000		26.531										
324T	12.500	10.500	15.157	NPT 2"	12.961	13.071	5.250	29.602	8.000	1.307	0.657	3.228		
324TS		12.000						28.102						
326T		12.000			31.106									
326TS		12.000			29.606									
364/5T	14.000	11.250/12.250	17.165	NPT 3"	16.654	15.394	5.875	33.701	9.000	1.480	3.150			
364/5TS								31.575						
404/5T	16.000	12.250/13.752	19.921		16.654	17.520	6.625	6.625	38.074	10.000	1.812	3.937		
404/5TS									35.074					
444/5T	18.000	14.500/16.500	21.929	2xNPT 3"	21.732	20.079	7.500	43.797	11.000	1.630	0.807	3.937		
444/5TS								40.047						
447T		20.000			20.000	20.984		23.640					23.640	47.339
447TS														43.589
449T		25.000			25.000	32.126		32.126					32.126	54.996
449TS														51.246
504/5T	20.000	16.000/18.000	24.724	21.850	21.969	8.500	49.445	12.500	2.146	1.250	4.724			
504/5TS							46.875							
586/7T	23.000	22.000/25.000	29.528	25.787	29.921	10.00	61.389	14.500	2.492	1.181	5.236			
586/7TS							54.514							

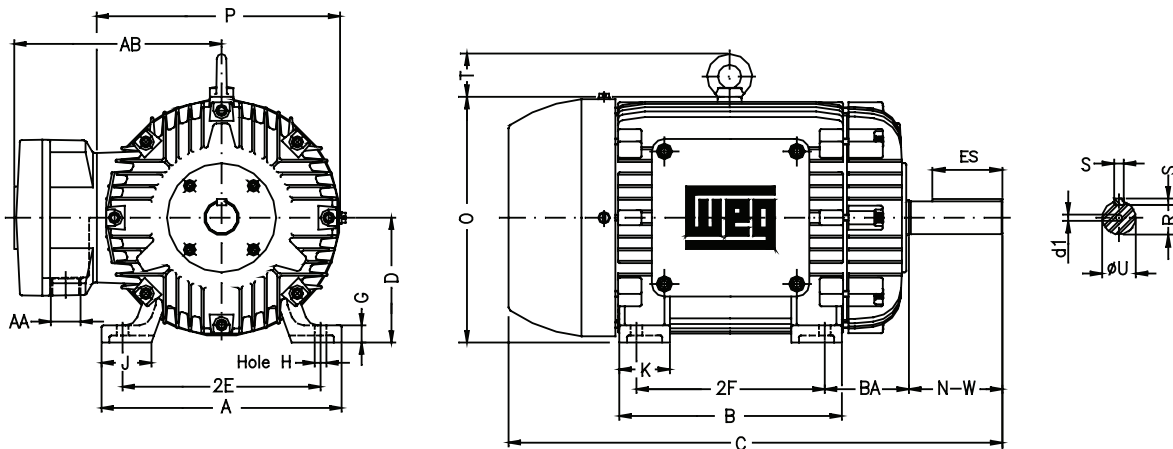


## TEFC – Explosion Proof *continued*

Frames 143T to 586/7TS

Frame	K	O	P	T	Shaft end						Bearings																												
					d1	ES	N-W	R	S	U	D.E.	N.D.E.																											
143T	1.654	7.000	7.000	*	A 4	1.575	2.250	0.765	0.187	0.875	6205 ZZ	6204 ZZ																											
145T																																							
182T	1.969	9.421	8.909	1.772							A 4	1.969	2.750	0.984	0.250	1.125	6307 ZZ	6206 ZZ																					
184T																																							
213T	2.165	11.156	10.709	1.772													A 4	2.480	3.375	1.203	0.313	1.375	6308 ZZ	6207 ZZ															
215T																																							
254T	2.559	12.352	12.224	2.087																			A 4	2.756	4.000	1.406	0.375	1.625	6309 ZZ-C3	6209 ZZ-C3									
256T																																							
284T	2.953	14.362	14.094	2.441																									A 4	3.149	4.622	1.594	0.500	1.875	6311 ZZ-C3	6211 ZZ-C3			
284TS																																							
286T																																							
286TS																																							
324T	3.346	15.992	15.697	2.795																										A 4	3.937	5.250	1.844	0.500	2.125	6312 ZZ-C3	6212 ZZ-C3		
324TS																																							
326T																																							
326TS																																							
364/5T	4.134	18.898	18.583	2.795																											DUNC 3/4"-10	4.330	5.874	2.019	0.625	2.375	6314 C3	6314 C3	
364/5TS																																							
404/5T	5.433	19.843	18.583	2.795																												DUNC 3/4"-10	1.968	3.748	1.591	0.500	1.875	6217 C3	6314 C3
404/5TS																																							
444/5T	5.591	23.622	24.016	3.543	DUNC 3/4"-10	5.512	7.250	2.449	0.750	2.875																							6314 C3	6316 C3					
444/5TS																																							
447T																																							
447TS																																							
449T	7.104	23.622	24.016	3.543		DUNC 3/4"-10	7.087	8.500	2.880	0.875	3.375	6219 C3	6316 C3																										
449TS																																							
504/5T	5.984	25.197	24.212	3.543			DUNC 3/4"-10	3.000	4.750	2.021	0.625	2.375	6314 C3	6314 C3																									
504/5TS																																							
586/7T	7.874	30.428	30.709	4.291				DUNC 7/8"-9	8.661	11.625	3.312	1000.000	3.875	6319 C3	6319 C3																								
586/7TS																																							
586/7TS	7.874	30.428	30.709	4.291				DUNC 3/4"-10	3.000	4.750	2.021	0.625	2.375	6314 C3	6314 C3																								
586/7TS																																							

Frames 143T to 586/7TS

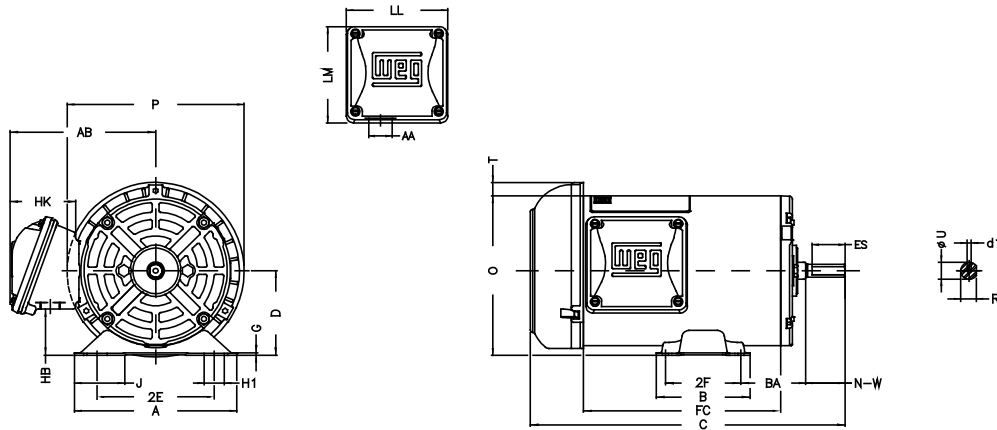


## Fractional - Three Phase - TEFC - NEMA Premium®

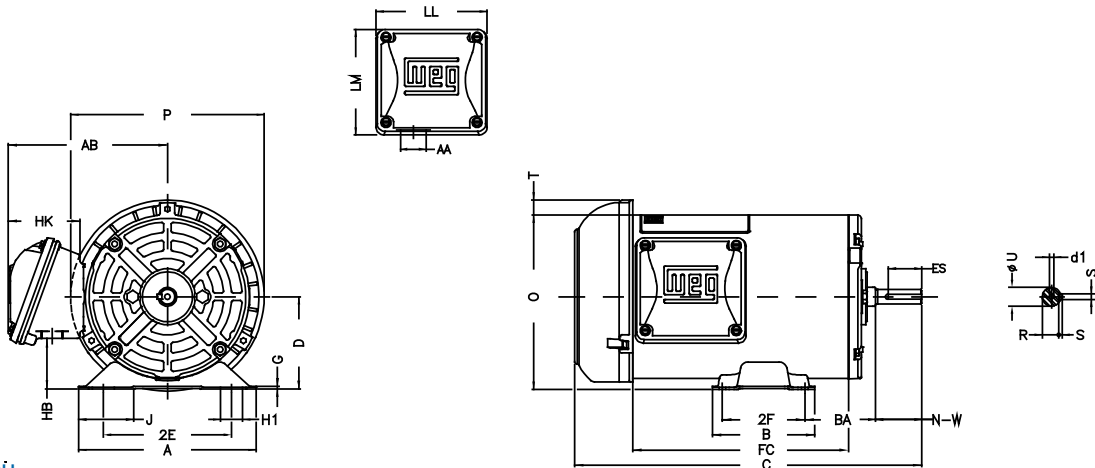
Frame	2E	J	A	P	AB	AH	2F	B	BA	CH	U	N-W	Key Length	R	D
48	4.236	1.835	6.142	6.693	5.52	1.689	2.748	3.543	2.5	1.417	0.5	1.5	1.26	0.451	3
W56	4.874	1.62	6.535	6.693	5.52	2.063	3	4.016	2.75	1.417	0.625	1.874	1.417	0.517	3.5
56	4.874	1.732	6.535	7.638	5.882	2.062	3	4.016	2.75	1.377	0.625	1.874	1.417	0.517	3.5
56H	4.874	1.732	6.535	7.638	5.882	2.062	3.000/5.000	6.496	2.75	1.377	0.625	1.874	1.417	0.517	3.5

Frame	H1	G	HB	O	HD	HK	Hole H	C	LL	LM	S	AA	T	DE	NDE
48	1.22	0.075	1.559	5.83	6.354	2.65	0.343		3.835	3.697		0.881"	0.524	6203 ZZ	6202 ZZ
W56	1.22	0.12	2.055	6.33	6.854	2.65	0.343		3.835	3.697	0.187	0.881"	0.524	6203 ZZ	6202 ZZ
56	1.22	0.12	1.783	6.724	7.327	2.638	0.343		4.543	4.106	0.187	0.881"	0.603	6203 ZZ	6202 ZZ
56H	1.22	0.12	1.783	6.724	7.327	2.638	0.343		4.543	4.106	0.187	0.881"	0.603	6204 ZZ	6202 ZZ

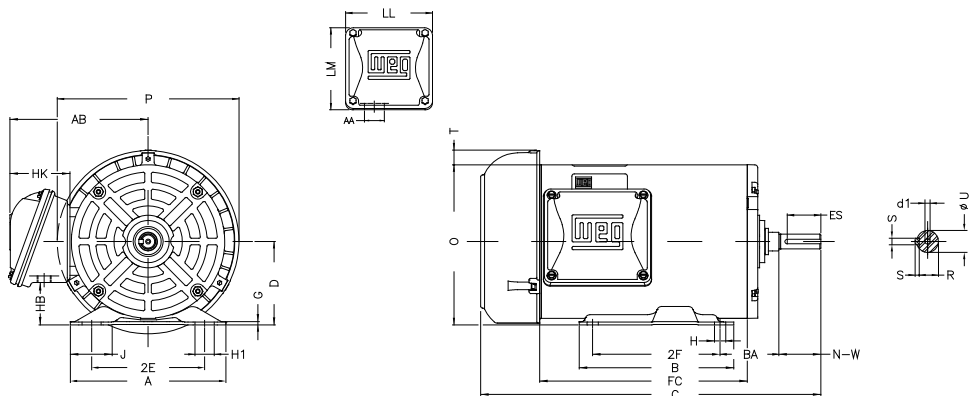
Frame 48



Frame W56



Frame 56 - 56H

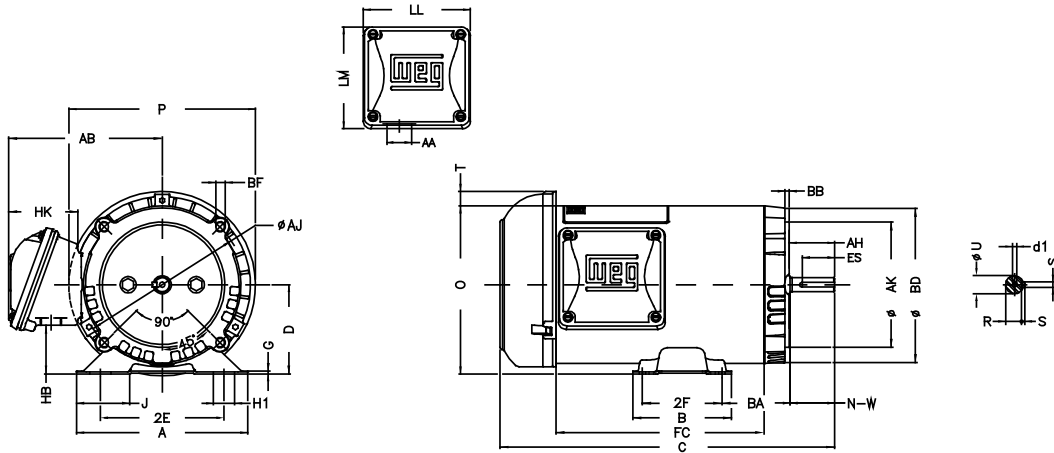




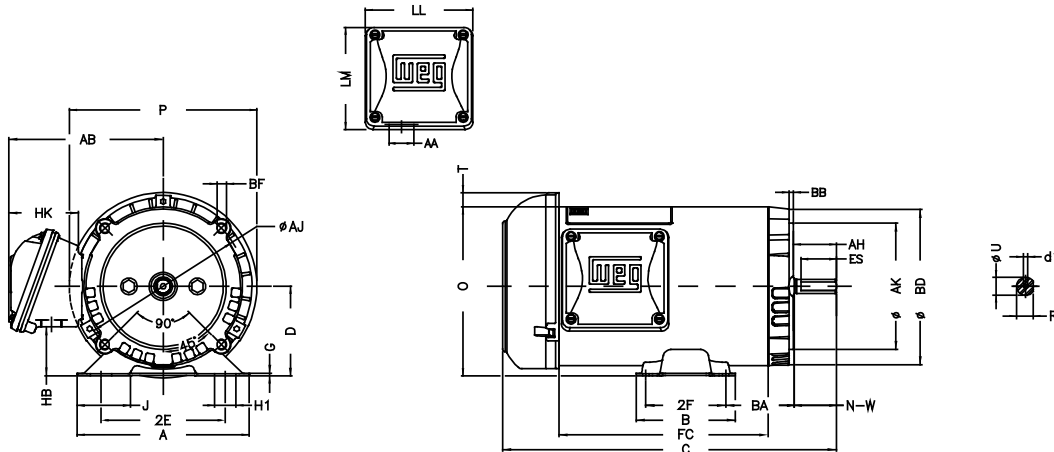
## Fractional - Three Phase - TEFC - NEMA Premium® - C-Face

Frame	Type	Flange	Size	AJ	AK	BD	S	T	AH	Angle	BF Number
W56	C	C	FC-149	5.874	4.5	6.47	UNC 3/8"x16-2B	0.157	2.063	45°	4
48	C	C	FC-95	3.748	3	4.74	UNC 1/4"x20-2B	0.157	1.689	45°	4
56	C	C	FC-149	5.874	4.5	6.45	UNC 3/8"x16-2B	0.157	2.062	45°	4
56H	C	C	FC-149	5.874	4.5	6.45	UNC 3/8"x16-2B	0.157	2.062	45°	4

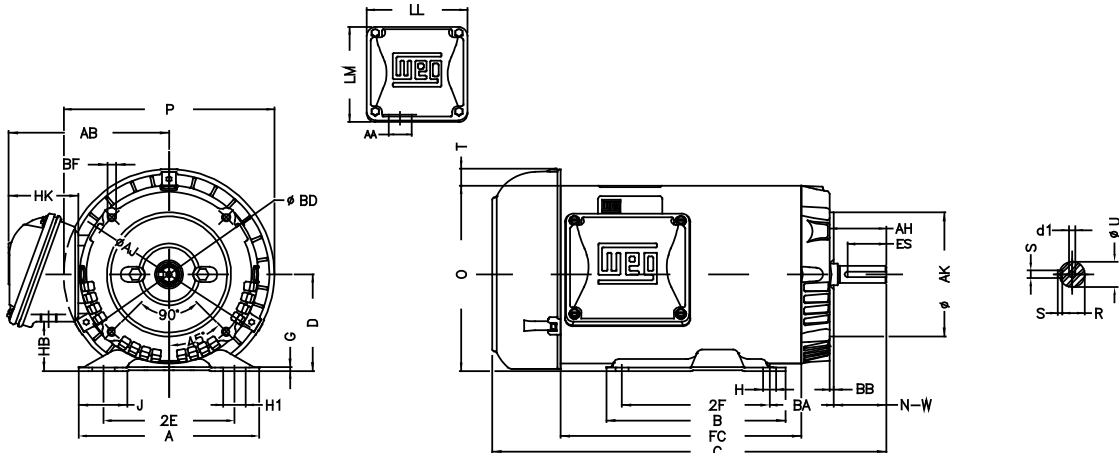
Frame W56



Frame 48



Frame 56/56H

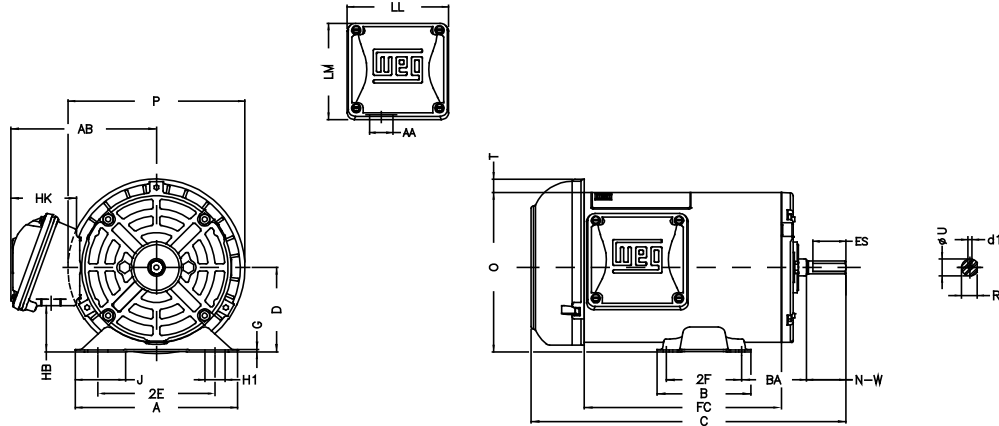


## Fractional - Three Phase - TEFC - Standard Efficiency

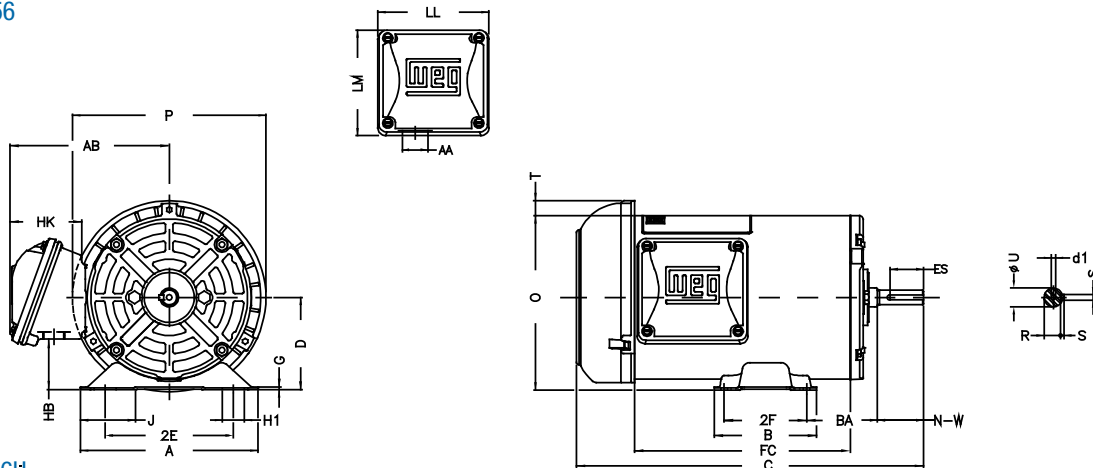
Frame	2E	J	A	P	AB	AH	2F	B	BA	CH	U	d1	N-W	Key Length	R	D
48	4.236	1.835	6.142	6.693	5.52	1.689	2.748	3.543	2.5	1.417	0.5	A 3,15	1.5	1.26	0.451	3
W56	4.874	1.62	6.535	6.693	5.52	2.063	3	4.016	2.75	1.417	0.625	A 3,15	1.874	1.417	0.517	3.5
56	4.874	1.732	6.535	7.638	5.882	2.062	3	4.016	2.75	1.377	0.625	A 3,15	1.874	1.417	0.517	3.5
56H	4.874	1.732	6.535	7.638	5.882	2.062	3.000/5.000	6.496	2.75	1.377	0.625	A 3,15	1.874	1.417	0.517	3.5

Frame	H1	G	HB	O	HD	HK	Hole H	C	LL	LM	AJ	S	AA	T	DE	NDE
48	1.22	0.075	1.559	5.83	6.354	2.65	0.343	-	3.835	3.697	5.874		0.881"	0.524	6203 ZZ	6202 ZZ
W56	1.22	0.12	2.055	6.33	6.854	2.65	0.343	-	3.835	3.697	3.748	0.187	0.881"	0.524	6203 ZZ	6202 ZZ
56	1.22	0.12	1.783	6.724	7.327	2.638	0.343	-	4.543	4.106	5.874	0.187	0.881"	0.603	6203 ZZ	6202 ZZ
56H	1.22	0.12	1.783	6.724	7.327	2.638	0.343	-	4.543	4.106	5.874	0.187	0.881"	0.603	6204 ZZ	6202 ZZ

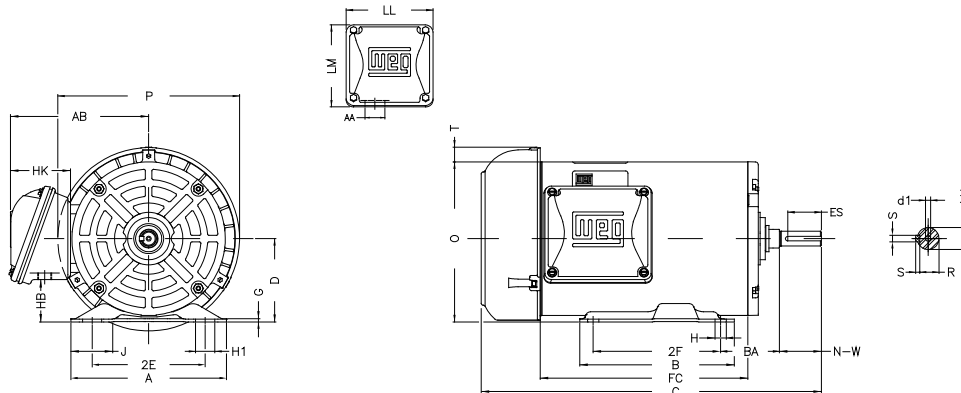
Frame 48



Frame W56



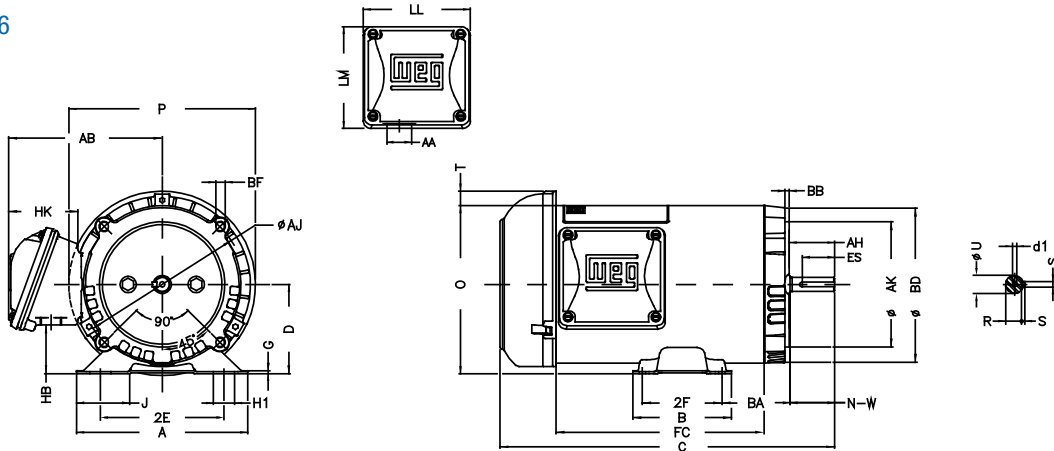
Frame 56 - 56H



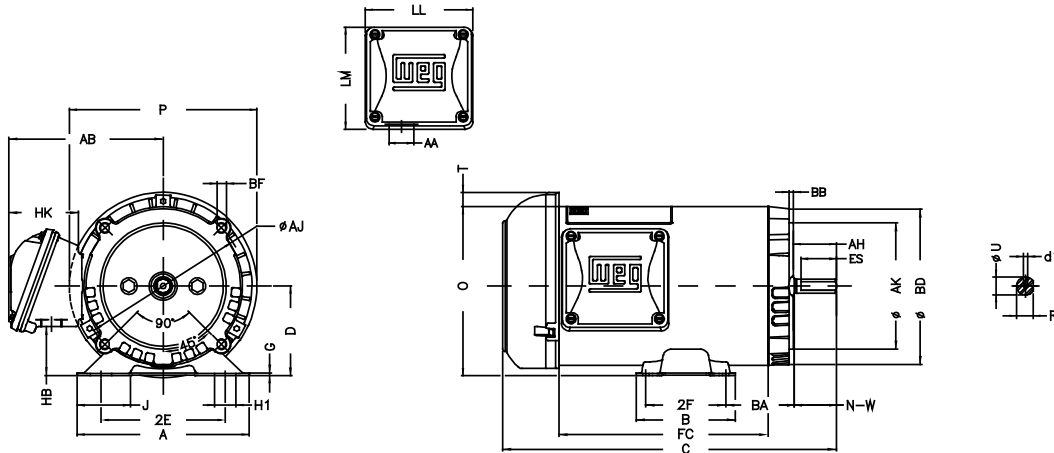
## Fractional - Three Phase - TEFC - Standard Efficiency - C-Face

Frame	Type	Flange	Size	BB	AJ	AK	BD	S	T	AH	Angle	BF Number
W56	C	C	FC-149	0.157	5.874	4.5	6.47	UNC 3/8"x16-2B	0.157	2.063	45°	4
48	C	C	FC-95	0.157	3.748	3	4.74	UNC 1/4"x20-2B	0.157	1.689	45°	4
56	C	C	FC-149	0.157	5.874	4.5	6.45	UNC 3/8"x16-2B	0.157	2.062	45°	4
56H	C	C	FC-149	0.157	5.874	4.5	6.45	UNC 3/8"x16-2B	0.157	2.062	45°	4

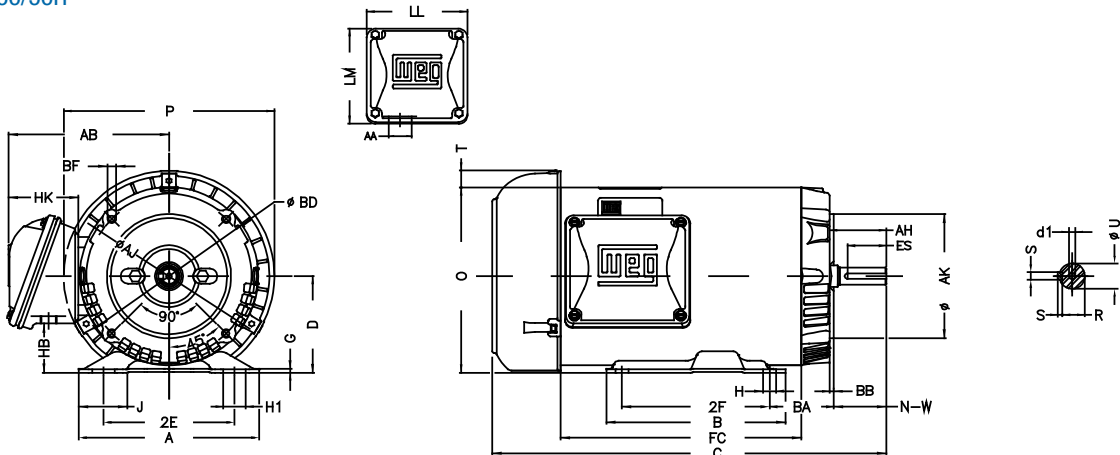
Frame W56



Frame 48



Frame 56/56H

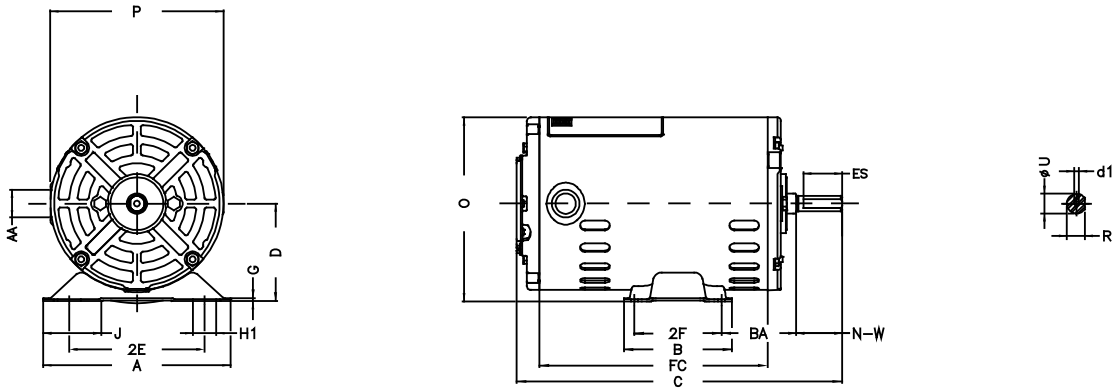


## Fractional - Three Phase - ODP - Premium Efficiency

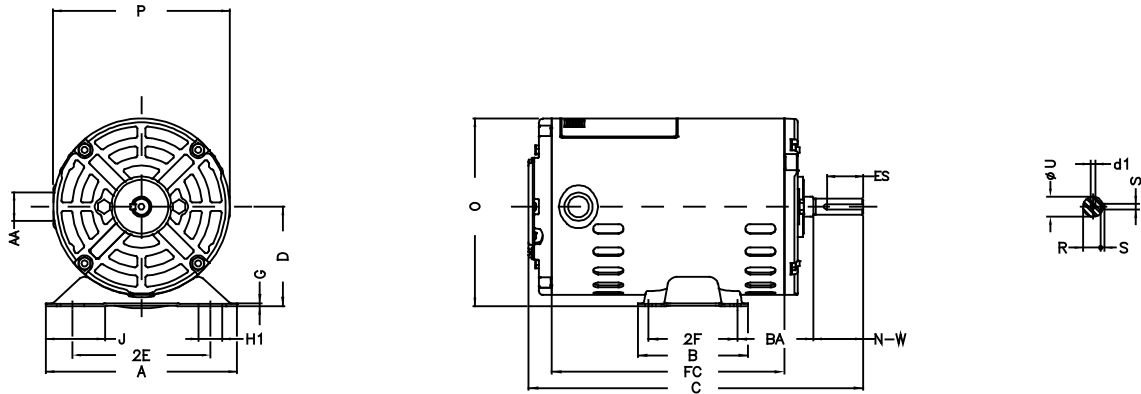
Frame	2E	J	A	P	AB	AH	2F	B	BA	CH	U	N-W	Key Length	R	D
48	4.236	1.835	6.142	5.709	5.52	1.689	2.748	3.543	2.5	1.22	0.5	1.5	1.26	0.451	3
W56	4.874	1.62	6.535	5.709	5.52	2.063	3	4.016	2.75	1.22	0.625	1.874	1.417	0.517	3.5
56	4.874	1.732	6.535	6.456	3.323	2.062	3	4.016	2.75	1.377	0.625	1.874	1.417	0.517	3.5
56H	4.874	1.732	6.535	6.456	5.882	2.062	3.000/5.000	6.496	2.75	1.377	0.625	1.874	1.417	0.517	3.5

Frame	H1	G	HB	O	HD	HK	Hole H	C	LL	LM	S	AA	T	DE	NDE
48	1.22	0.075	1.559	5.83	6.354	2.65	0.343		3.835	3.697		NPT 1/2"	0.524	6203 ZZ	6202 ZZ
W56	1.22	0.12	2.055	6.33	6.854	2.65	0.343		3.835	3.697	0.187	NPT 1/2"	0.524	6203 ZZ	6202 ZZ
56	1.22	0.12	1.784	6.724	6.728	2.629	0.343		4.563	4.09	0.187	NPT 1/2"	0.004	6203 ZZ	6202 ZZ
56H	1.22	0.12	1.783	6.724	6.728	2.638	0.343		4.543	4.106	0.187	NPT 1/2"	0.004	6204 ZZ	6202 ZZ

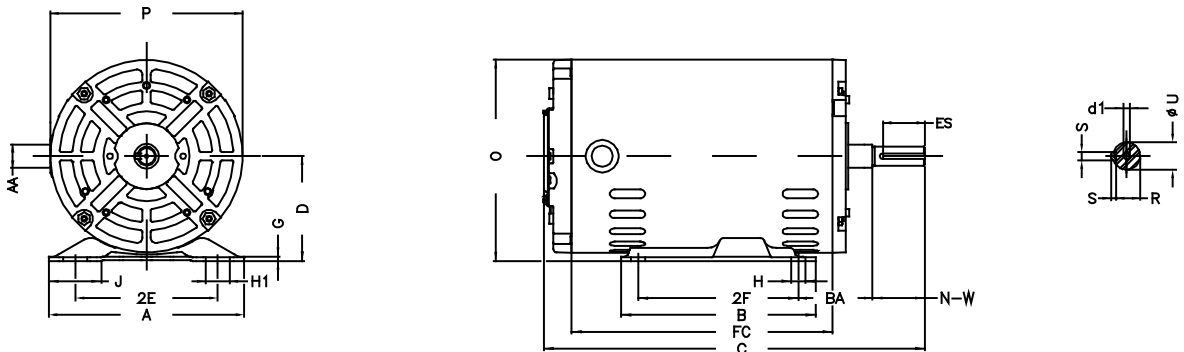
Frame 48



Frame W56



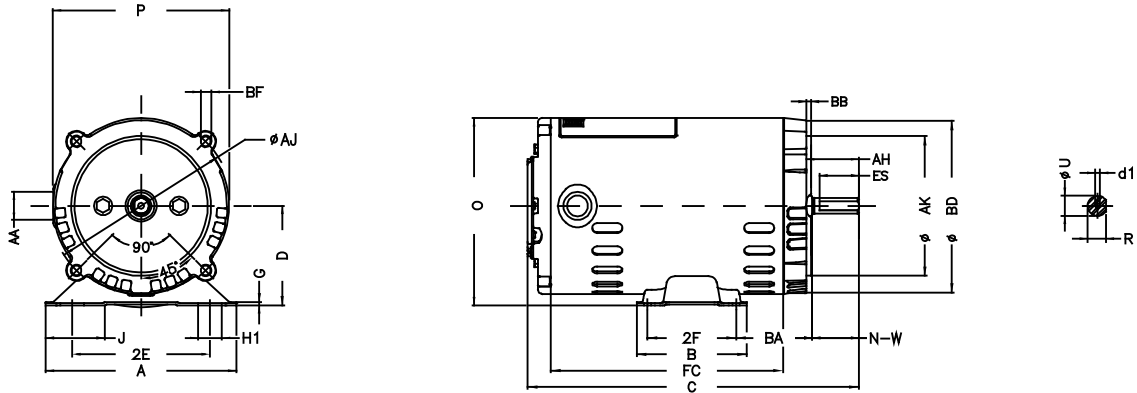
Frame 56 - 56H



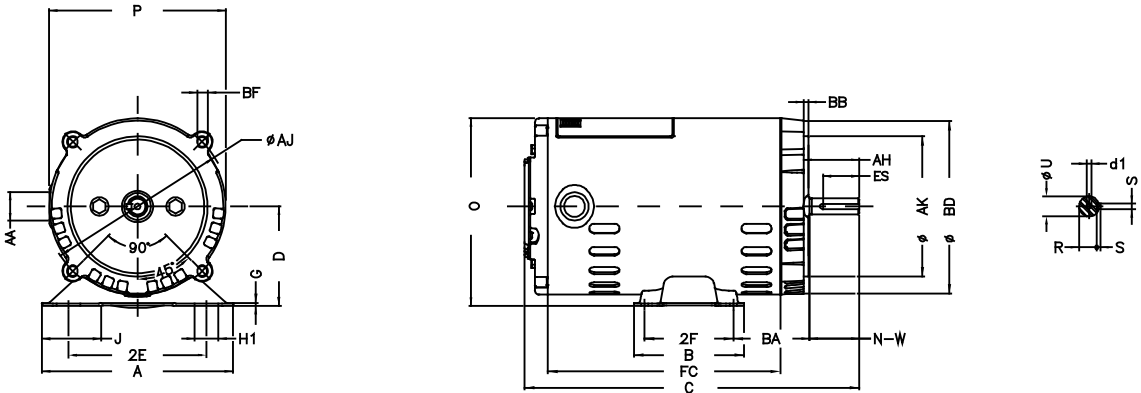
## Fractional - Three Phase - ODP - Premium Efficiency - C-Face

Frame	Type	Flange	Size	AJ	AK	BD	S	T	AH	Angle	BF Number
W56	C	C	FC-149	5.874	4.5	6.47	UNC 3/8"x16-2B	0.157	2.063	45°	4
48	C	C	FC-95	3.748	3	4.74	UNC 1/4"x20-2B	0.157	1.689	45°	4
56	C	C	FC-149	5.874	4.5	6.45	UNC 3/8"x16-2B	0.157	2.062	45°	4
56H	C	C	FC-149	5.874	4.5	6.45	UNC 3/8"x16-2B	0.157	2.062	45°	4

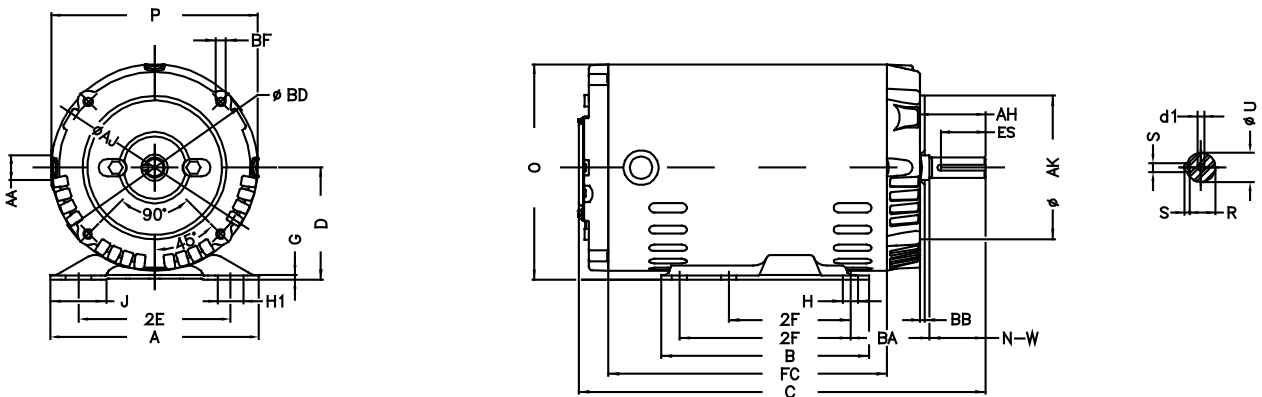
Frame 48



Frame W56



Frame 56 - 56H

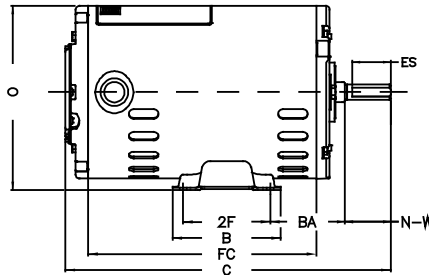
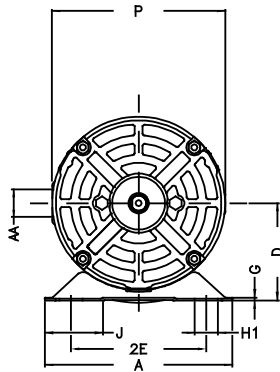


## Fractional - Three Phase - ODP - Standard Efficiency

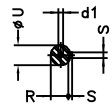
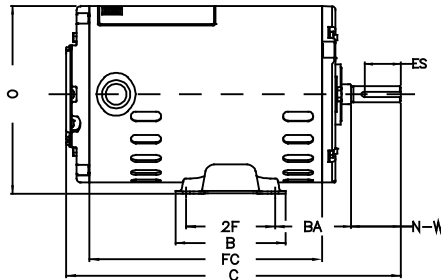
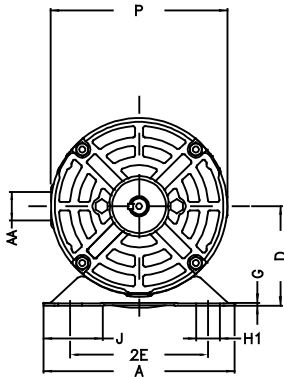
Frame	2E	J	A	P	AB	AH	2F	B	BA	CH	U	N-W	Key Length	R	D
48	4.236	1.835	6.142	5.709	5.52	1.689	2.748	3.543	2.5	1.22	0.5	1.5	1.26	0.451	3
W56	4.874	1.62	6.535	5.709	5.52	2.063	3	4.016	2.75	1.22	0.625	1.874	1.417	0.517	3.5
56	4.874	1.732	6.535	6.456	3.323	2.062	3	4.016	2.75	1.377	0.625	1.874	1.417	0.517	3.5
56H	4.874	1.732	6.535	6.456	5.882	2.062	3.000/5.000	6.496	2.75	1.377	0.625	1.874	1.417	0.517	3.5

Frame	H1	G	HB	O	HD	HK	Hole H	C	LL	LM	S	AA	T	DE	NDE
48	1.22	0.075	1.559	5.83	6.354	2.65	0.343		3.835	3.697		NPT 1/2"	0.524	6203 ZZ	6202 ZZ
W56	1.22	0.12	2.055	6.33	6.854	2.65	0.343		3.835	3.697	0.187	NPT 1/2"	0.524	6203 ZZ	6202 ZZ
56	1.22	0.12	1.784	6.724	6.728	2.629	0.343		4.563	4.09	0.187	NPT 1/2"	0.004	6203 ZZ	6202 ZZ
56H	1.22	0.12	1.783	6.724	6.728	2.638	0.343		4.543	4.106	0.187	NPT 1/2"	0.004	6204 ZZ	6202 ZZ

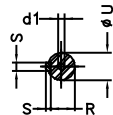
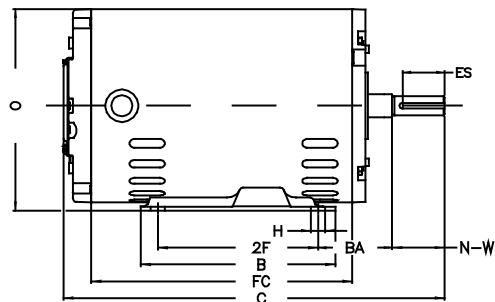
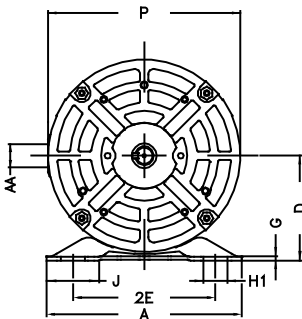
Frame 48



Frame W56



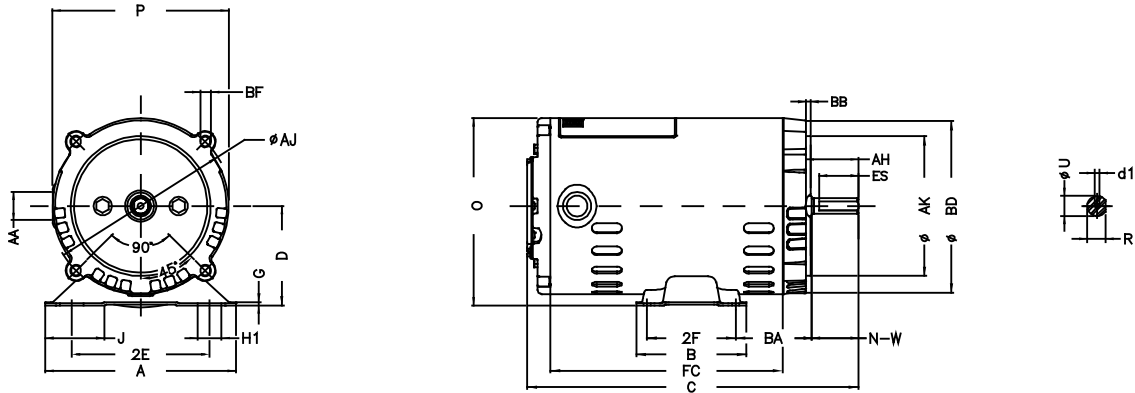
Frame 56 - 56H



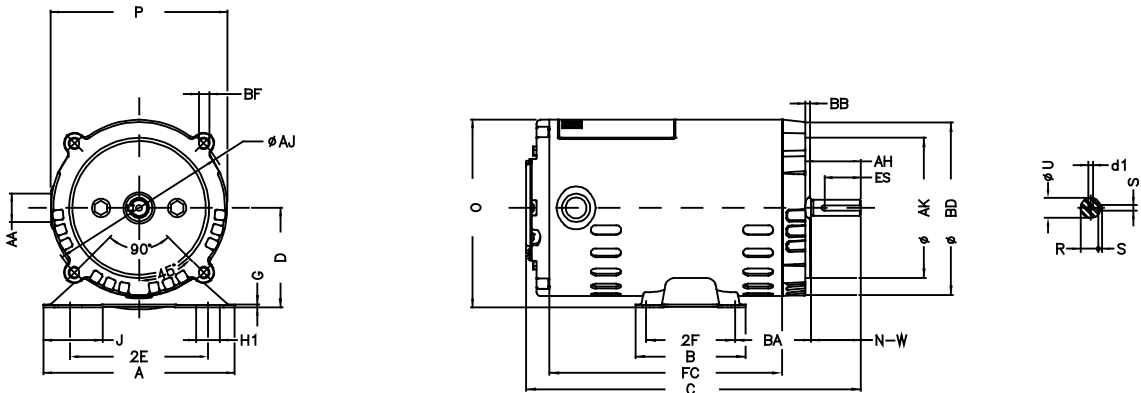
## Fractional - Three Phase - ODP - Standard Efficiency - C-Face

Frame	Type	Flange	Size	AJ	AK	BD	BB	S	T	AH	Angle	BF Number
W56	C	C	FC-149	5.874	4.5	6.47	0.157	UNC 3/8"x16-2B	0.157	2.063	45°	4
48	C	C	FC-95	3.748	3	4.74	0.157	UNC 1/4"x20-2B	0.157	1.689	45°	4
56	C	C	FC-149	5.874	4.5	6.45	0.157	UNC 3/8"x16-2B	0.157	2.062	45°	4
56H	C	C	FC-149	5.874	4.5	6.45	0.157	UNC 3/8"x16-2B	0.157	2.062	45°	4

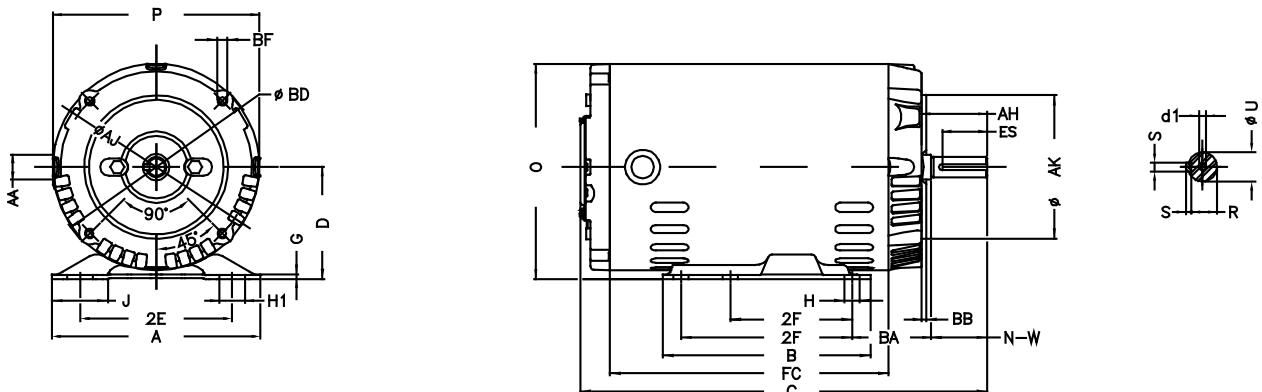
Frame 48



Frame W56



Frame 56 - 56H



## Cooling Tower Motors - Three Phase - TEFC

Frame	2E	J	A	P	AB	AH	2F	B	BA	CH	U	N-W	Key Length	R	D
143T	5.5	1.437	6.457	6.85	6.26	2.125	4	5.157	2.25	0.708	0.875	2.25	1.575	0.771	3.5
143/5T	5.5	1.437	6.457	6.85	6.26	2.125	4.000/5.000	6.142	2.25	0.708	0.875	2.25	1.575	0.771	3.5
145T	5.5	1.437	6.457	6.85	6.26	2.125	5	6.142	2.25	0.708	0.875	2.25	1.575	0.771	3.5
182T	7.5	1.614	8.661	8.504	7.565	2.625	4.5	5.945	2.75	1.22	1.125	2.75	1.969	0.984	4.5
182/4T	7.5	1.614	8.661	8.504	7.565	2.625	4.500/5.500	6.969	2.75	1.22	1.125	2.75	1.969	0.984	4.5
213T	8.5	1.779	9.764	10.669	8.667	3.125	5.5	7.362	3.5	1.22	1.375	3.375	2.48	1.203	5.25
213/5T	8.5	1.779	9.764	10.669	8.667	3.125	5.500/7.000	8.858	3.5	1.22	1.375	3.375	2.48	1.203	5.25
215T	8.5	1.779	9.764	10.669	8.667	3.125	7	8.858	3.5	1.22	1.375	3.375	2.48	1.203	5.25
254T	10	2.539	12.126	12.48	10.483	3.75	8.252	10	4.25	1.85	1.625	4	2.756	1.416	6.25
254/6T	10	2.539	12.126	12.48	10.483	3.75	8.252/10.000	11.732	4.25	1.85	1.625	4	2.756	1.416	6.25
256T	10	2.539	12.126	12.48	10.483	3.75	10	11.732	4.25	1.85	1.625	4	2.756	1.416	6.25
284TS	11	3.11	13.78	13.78	11.073	3	9.5	11.575	4.75	2.244	1.625	3.25	2.48	1.416	7
284T	11	3.11	13.78	13.78	11.073	4.375	9.5	11.575	4.75	2.244	1.875	4.622	3.149	1.594	7
284/6T	11	3.11	13.78	13.78	11.073	4.375	9.500/11.000	13.071	4.75	2.244	1.875	4.622	3.149	1.594	7
284/6TS	11	3.11	13.78	13.78	11.073	3	9.500/11.000	13.071	4.75	2.244	1.625	3.25	2.48	1.416	7
324T	12.5	3.189	15.157	14.961	12.575	5	10.5	13.071	5.25	2.638	2.125	5.25	3.937	1.844	8
324TS	12.5	3.189	15.157	14.961	12.575	3.5	10.5	13.071	5.25	2.638	1.875	3.75	2.756	1.594	8
324/6TS	12.5	3.189	15.157	14.961	12.575	3.5	12	14.567	5.25	2.638	1.875	3.75	2.756	1.594	8
324/6T	12.5	3.189	15.157	14.961	12.575	5	10.500/12.000	14.567	5.25	2.638	2.125	5.25	3.937	1.844	8
326T	12.5	3.189	15.157	14.961	12.575	5	12	14.567	5.25	2.638	2.125	5.25	3.937	1.844	8
326TS	12.5	3.189	15.157	14.961	12.575	3.5	12	14.567	5.25	2.638	1.875	3.75	2.756	1.594	8
364/5T	14.016	3.15	17.165	17.914	16.016	5.625	11.260/12.244	15.512	5.875	3.189	2.375	5.874	4.33	2.019	9
364/5TS	14.016	3.15	17.165	17.914	16.016	3.5	11.260/12.244	15.512	5.875	3.189	1.875	3.748	1.968	1.591	9
404/5T	15.984	3.937	19.921	19.134	16.016	7	12.244/13.740	18.386	6.625	3.189	2.875	7.25	5.512	2.449	10
404/5TS	15.984	3.937	19.921	19.134	16.016	4	12.244/13.740	18.386	6.625	3.189	2.125	4.25	2.756	1.842	10
444/5T	18	3.937	21.929	23.583	18.57	8.25	14.500/16.500	20.315	7.5	3.583	3.375	8.5	7.087	2.88	11
444/5TS	18	3.937	21.929	23.583	18.57	4.5	14.500/16.500	20.315	7.5	3.583	2.375	4.75	3	2.021	11
445/7T	18	3.937	21.929	23.583	20.559	8.25	16.500/20.000	23.897	7.5	3.583	3.375	8.5	7.087	2.88	11
445/7TS	18	3.937	21.929	23.583	20.559	4.5	16.500/20.000	23.897	7.5	3.583	2.375	4.75	3	2.021	11
447/9T	18	3.937	21.929	23.583	20.559	8.25	20.000/25.000	31.535	7.5	3.583	3.375	8.5	7.087	2.88	11
447/9TS	18	3.937	21.929	23.583	20.559	4.5	20.000/25.000	31.535	7.5	3.583	2.375	4.75	3	2.021	11
L447/9T	18	3.937	21.929	25.866	23.72	8.25	20.000/25.000	31.535	7.5	3.583	3.375	8.5	7.087	2.88	11
L447/9TS	18	3.937	21.929	25.866	23.72	4.5	20.000/25.000	31.535	7.5	3.583	2.375	4.75	3	2.021	11
504/5T	20	4.724	24.724	25.866	20.599	10.375	16.000/18.000	24.449	8.5	3.583	3.625	10.63	8.661	3.134	12.5
504/5TS	20	4.724	24.724	25.866	20.599	4.5	16.000/18.000	24.449	8.5	3.583	2.375	4.75	3	2.021	12.5
586/7T	23	5.512	29.528	28.977	23.189	11.375	22.000/25.000	29.921	10	3.583	3.875	11.625	8.661	3.312	14.5
586/7TS	23	5.512	29.528	28.977	23.189	4.5	22.000/25.000	29.921	10	3.583	2.375	4.75	3	2.021	14.5
588/9T	23	5.512	29.528	28.977	27.44	11.375	28.000/32.000	37.98	10	3.583	3.875	11.625	8.661	3.312	14.5
588/9TS	23	5.512	29.528	28.977	27.44	4.5	28.000/32.000	37.98	10	3.583	2.375	4.75	3	2.021	14.5

continued on next page

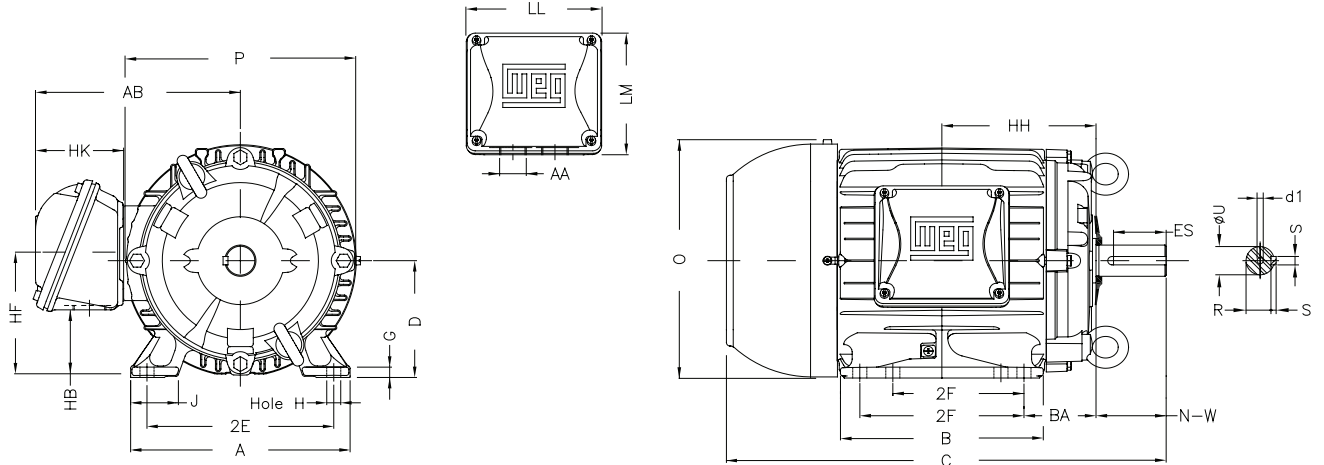


## Cooling Tower Motors - Three Phase - TEFC - *continued*

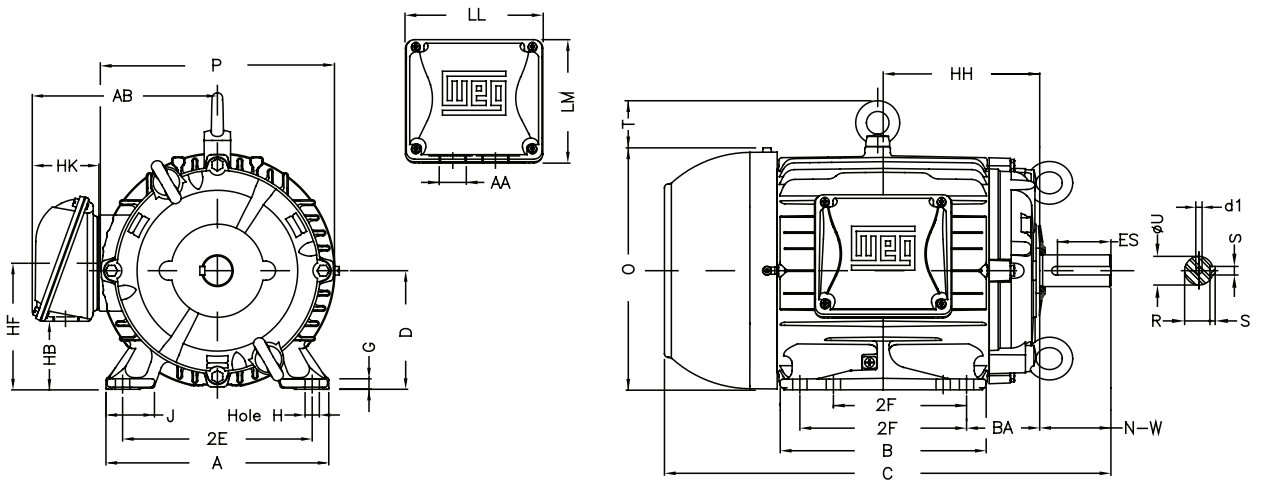
Frame	G	HB	O	HD	HF	HH	HK	Hole H	C	LL	LM	S	AA	T	DE	NDE
143T	0.354	1.787	7.122		3.5	4.25	2.638	0.344	12.346	4.528	4.094	0.187	NPT 3/4"		6205 2RS	6204 2RS
143/5T	0.354	1.787	7.122		3.5	4.75	2.638	0.344	13.358	4.528	4.094	0.187	NPT 3/4"		6205 2RS	6204 2RS
145T	0.354	1.787	7.122		3.5	4.75	2.638	0.344	13.358	4.528	4.094	0.187	NPT 3/4"		6205 2RS	6204 2RS
182T	0.394	2.236	9.343	11.115	4.5	5	3.15	0.406	14.86	5.512	5.236	0.25	NPT 1"	1.772	6207 2RS	6206 2RS
182/4T	0.394	2.236	9.343	11.115	4.5	5.5	3.15	0.406	15.86	5.512	5.236	0.25	NPT 1"	1.772	6207 2RS	6206 2RS
213T	0.669	2.985	10.508	12.613	5.25	6.25	3.15	0.406	18.021	5.512	5.236	0.313	NPT 1"	2.105	6308 2RS	6207 2RS
213/5T	0.669	2.985	10.508	12.613	5.25	7	3.15	0.406	19.517	5.512	5.236	0.313	NPT 1"	2.105	6308 2RS	6207 2RS
215T	0.669	2.985	10.508	12.613	5.25	7	3.15	0.406	19.517	5.512	5.236	0.313	NPT 1"	2.105	6308 2RS	6207 2RS
254T	0.827	3.061	12.598	14.685	6.565	8.376	3.976	0.531	23.213	7.815	7.48	0.375	NPT 1 1/2"	2.087	6309 2RS-C3	6209 2RS-C3
254/6T	0.827	3.061	12.598	14.685	6.565	9.25	3.976	0.531	24.945	7.815	7.48	0.375	NPT 1 1/2"	2.087	6309 2RS-C3	6209 2RS-C3
256T	0.827	3.061	12.598	14.685	6.565	9.25	3.976	0.531	24.945	7.815	7.48	0.375	NPT 1 1/2"	2.087	6309 2RS-C3	6209 2RS-C3
284TS	1.023	3.535	14.067	16.154	7	9.5	3.976	0.531	25.061	7.815	7.48	0.375	NPT 1 1/2"	2.087	6311 2RS-C3	6211 2RS-C3
284T	1.023	3.535	14.067	16.154	7	9.5	3.976	0.531	26.433	7.815	7.48	0.5	NPT 1 1/2"	2.087	6311 2RS-C3	6211 2RS-C3
284/6T	1.023	3.535	14.067	16.154	7	10.25	3.976	0.531	27.929	7.815	7.48	0.5	NPT 1 1/2"	2.087	6311 2RS-C3	6211 2RS-C3
324T	1.3	4.811	15.953	18.394	8.708	10.5	4.705	0.657	29.62	9.055	8.661	0.5	NPT 2"	2.441	6312 2RS-C3	6212 2RS-C3
324/6TS	1.3	4.811	15.953	18.394	8.708	11.25	4.705	0.657	29.616	9.055	8.661	0.5	NPT 2"	2.441	6312 2RS-C3	6212 2RS-C3
324/6T	1.3	4.811	15.953	18.394	8.708	11.25	4.705	0.657	31.116	9.055	8.661	0.5	NPT 2"	2.441	6312 2RS-C3	6212 2RS-C3
326T	1.3	4.811	15.953	18.394	8.708	11.25	4.705	0.657	31.116	9.055	8.661	0.5	NPT 2"	2.441	6312 2RS-C3	6212 2RS-C3
364/5T	1.48	4.251	17.957	21.535		11.988	6.024	0.66	34.251	10.591	11.267	0.625	NPT 3"	3.578	6314 2RS-C3	6314 2RS-C3
404/5T	1.811	5.252	19.566	23.11		13.496	6.024	0.81	39.73	10.591	11.267	0.75	NPT 3"	3.544	6316 2RS-C3	6314 2RS-C3
444/5T	1.63	5.687	22.795			15.748	5.97	0.81	44.95	12.362	12.283	0.875	2xNPT 3"		6319 C3	6316 C3

## Cooling Tower Motors - Three Phase - TEFC - *continued*

### Frames 143 to 213/5

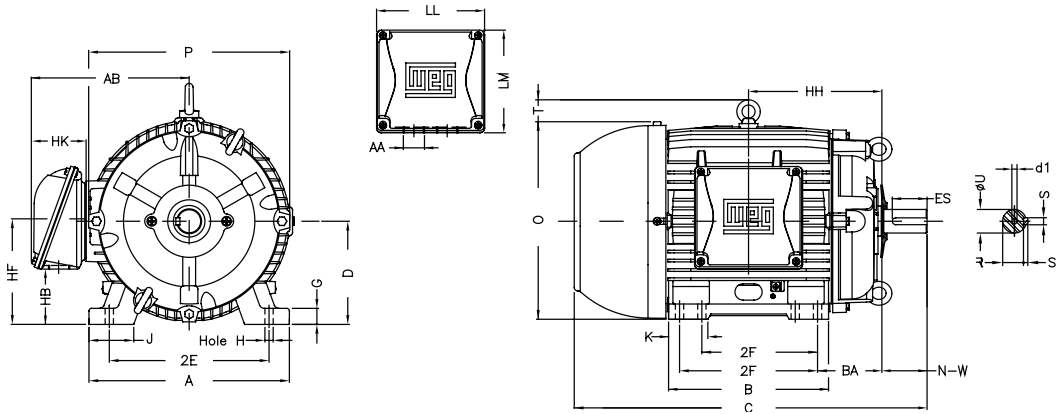


### Frames 182 to 213/5

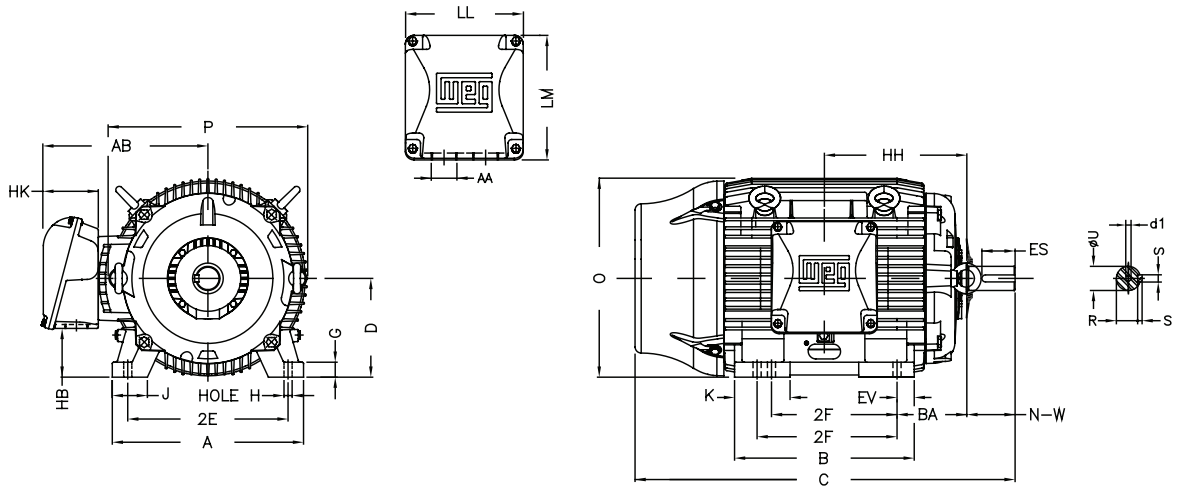


## Cooling Tower Motors - Three Phase - TEFC - *continued*

Frames 254 to 326



Frames 364/5 to 445/7





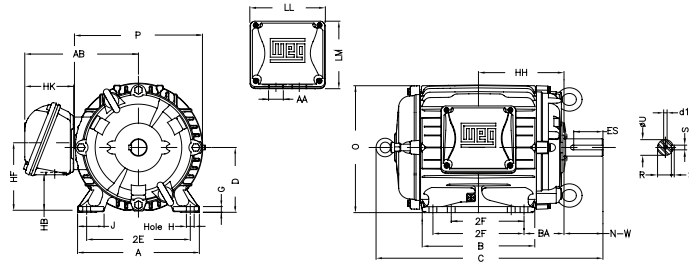
Cooling Tower Motors - Three Phase - TEAO

Frame	2E	J	A	P	AB	AH	2F	B	BA	CH	U	N-W	Key Length	R	D
143T	5.5	1.437	6.457	6.85	6.26	2.125	4	5.157	2.25	0.708	0.875	2.25	1.575	0.771	3.5
143/5T	5.5	1.437	6.457	6.85	6.26	2.125	4.000/5.000	6.142	2.25	0.708	0.875	2.25	1.575	0.771	3.5
145T	5.5	1.437	6.457	6.85	6.26	2.125	5	6.142	2.25	0.708	0.875	2.25	1.575	0.771	3.5
182T	7.5	1.614	8.661	8.504	7.565	2.625	4.5	5.945	2.75	1.22	1.125	2.75	1.969	0.984	4.5
182/4T	7.5	1.614	8.661	8.504	7.565	2.625	4.500/5.500	6.969	2.75	1.22	1.125	2.75	1.969	0.984	4.5
213T	8.5	1.779	9.764	10.669	8.667	3.125	5.5	7.362	3.5	1.22	1.375	3.375	2.48	1.203	5.25
213/5T	8.5	1.779	9.764	10.669	8.667	3.125	5.500/7.000	8.858	3.5	1.22	1.375	3.375	2.48	1.203	5.25
215T	8.5	1.779	9.764	10.669	8.667	3.125	7	8.858	3.5	1.22	1.375	3.375	2.48	1.203	5.25
254T	10	2.539	12.126	12.48	10.483	3.75	8.252	10	4.25	1.85	1.625	4	2.756	1.416	6.25
254/6T	10	2.539	12.126	12.48	10.483	3.75	8.252/10.000	11.732	4.25	1.85	1.625	4	2.756	1.416	6.25
256T	10	2.539	12.126	12.48	10.483	3.75	10	11.732	4.25	1.85	1.625	4	2.756	1.416	6.25
284T	11	3.11	13.78	13.78	11.073	4.375	9.5	11.575	4.75	2.244	1.875	4.622	3.149	1.594	7
284TS	11	3.11	13.78	13.78	11.073	3	9.5	11.575	4.75	2.244	1.625	3.25	2.48	1.416	7
284/6T	11	3.11	13.78	13.78	11.073	4.375	9.500/11.000	13.071	4.75	2.244	1.875	4.622	3.149	1.594	7
324T	12.5	3.189	15.157	14.961	12.575	5	10.5	13.071	5.25	2.638	2.125	5.25	3.937	1.844	8
324/6T	12.5	3.189	15.157	14.961	12.575	5	10.500/12.000	14.567	5.25	2.638	2.125	5.25	3.937	1.844	8
326T	12.5	3.189	15.157	14.961	12.575	5	12	14.567	5.25	2.638	2.125	5.25	3.937	1.844	8
364/5T	14.016	3.15	17.165	17.914	16.016	5.625	11.260/12.244	15.512	5.875	3.189	2.375	5.874	4.33	2.019	9

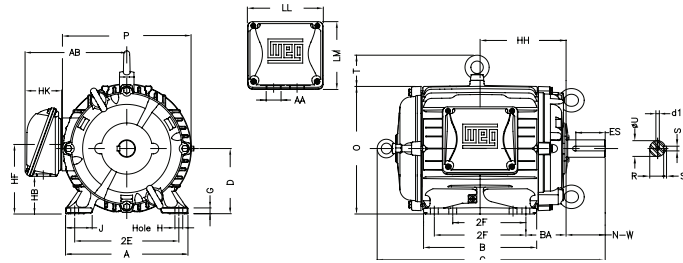
Frame	G	HB	O	HF	HH	HK	Hole H	C	LL	LM	S	AA	T	DE	NDE
143T	0.354	1.787	7.122	3.5	4.25	2.638	0.344	12.353	4.528	4.094	0.187	NPT 3/4"		6205 2RS	6204 2RS
143/5T	0.354	1.787	7.122	3.5	4.75	2.638	0.344	13.338	4.528	4.094	0.187	NPT 3/4"		6205 2RS	6204 2RS
145T	0.354	1.787	7.122	3.5	4.75	2.638	0.344	13.338	4.528	4.094	0.187	NPT 3/4"		6205 2RS	6204 2RS
182T	0.394	2.236	9.343	4.5	5	3.15	0.406	14.298	5.512	5.236	0.25	NPT 1"	1.772	6207 2RS	6206 2RS
182/4T	0.394	2.236	9.343	4.5	5.5	3.15	0.406	15.298	5.512	5.236	0.25	NPT 1"	1.772	6207 2RS	6206 2RS
213T	0.669	2.985	10.508	5.25	6.25	3.15	0.406	17.239	5.512	5.236	0.313	NPT 1"	2.105	6308 2RS	6207 2RS
213/5T	0.669	2.985	10.508	5.25	7	3.15	0.406	18.739	5.512	5.236	0.313	NPT 1"	2.105	6308 2RS	6207 2RS
215T	0.669	2.985	10.508	5.25	7	3.15	0.406	18.739	5.512	5.236	0.313	NPT 1"	2.105	6308 2RS	6207 2RS
254T	0.827	3.061	12.598	6.565	8.376	3.976	0.531	21.594	7.815	7.48	0.375	NPT 1 1/2"	2.087	6309 2RS-C3	6209 2RS-C3
254/6T	0.827	3.061	12.598	6.565	9.25	3.976	0.531	23.343	7.815	7.48	0.375	NPT 1 1/2"	2.087	6309 2RS-C3	6209 2RS-C3
256T	0.827	3.061	12.598	6.565	9.25	3.976	0.531	23.343	7.815	7.48	0.375	NPT 1 1/2"	2.087	6309 2RS-C3	6209 2RS-C3
284T	1.023	3.535	14.067	7	9.5	3.976	0.531	25.418	7.815	7.48	0.5	NPT 1 1/2"	2.087	6311 2RS-C3	6211 2RS-C3
284/6T	1.023	3.535	14.067	7	10.25	3.976	0.531	26.918	7.815	7.48	0.5	NPT 1 1/2"	2.087	6311 2RS-C3	6211 2RS-C3
324T	1.3	4.811	15.953	8.708	10.5	4.705	0.657	28.575	9.055	8.661	0.5	NPT 2"	2.441	6312 2RS-C3	6212 2RS-C3
324/6T	1.3	4.811	15.953	8.708	11.25	4.705	0.657	30.071	9.055	8.661	0.5	NPT 2"	2.441		
326T	1.3	4.811	15.953	8.708	11.25	4.705	0.657	30.071	9.055	8.661	0.5	NPT 2"	2.441	6312 2RS-C3	6212 2RS-C3
364/5T	1.48	4.251	17.957		11.988	6.024	0.66	29.39	10.591	11.267	0.625	NPT 3"	3.578	6314 2RS-C3	6314 2RS-C3

## Cooling Tower Motors - Three Phase - TEAO - *continued*

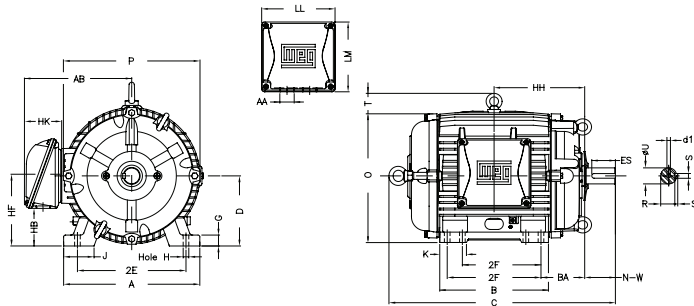
Frame 143 to 145



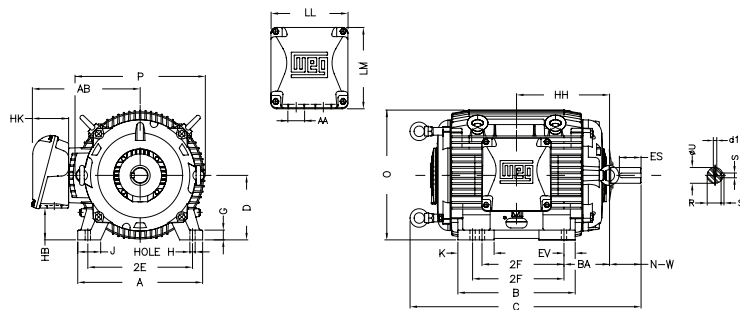
Frame 182 to 213/5



Frames 254 to 326



Frames 364 to 445/7





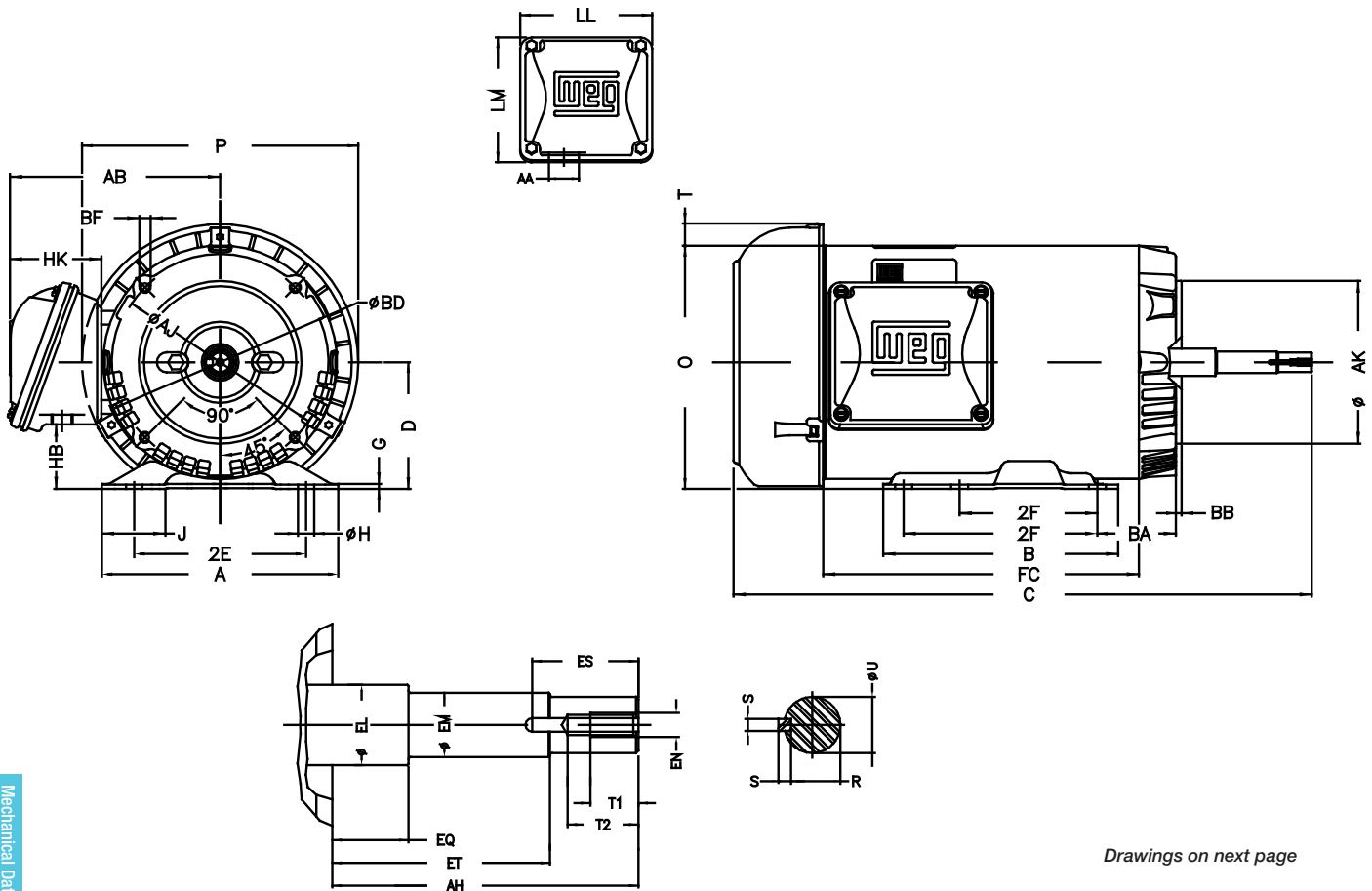
## CCP - JM - Three Phase - TEFC - Rolled Steel

Frame	2E	J	A	P	AB	AH	2F	B	BA	C	CH	U	EL	EM	EP	EQ
143/5JM	5.5	1.732	6.535	7.638	5.873	4.267	4.000/5.000	6.496	2.75		1.377	0.875	1.156	1	1.179	0.63
182/4JM	7.5	1.299	8.661	9.435	6.696	4.258	4.500/5.500	6.299	3.5		1.377	0.875	1.25	1	1.376	0.63
213/5JM	8.5	1.575	9.449	10.965	7.973	4.258	5.500/7.000	7.953	4.25		1.929	0.875	1.25	1	1.769	0.63
254/6JM	10	1.693	11.417	13.18	9.448	5.25	8.252/10.000	11.417	4.75		1.929	1.249	1.75	1.375	1.769	0.63

Frame	Key Length	ET	R	D	G	HB	O	HD	HK	Hole H	LL	LM	S	AA	T	DE	NDE
143/5JM	1.575	2.88	0.771	3.5	0.12	1.784	6.724	7.327	2.629	0.343	4.563	4.09	0.187	1.118"	0.603	6206 ZZ	6203 ZZ
182/4JM	1.575	2.88	0.771	4.5	0.167	2.784	8.557	9.218	2.629	0.406	4.563	4.09	0.187	1.118"	0.661	6207 ZZ	6205 ZZ
213/5JM	1.575	2.88	0.771	5.25	0.167	2.982	10.144	10.905	3.022	0.406	5.551	5.25	0.187	1.377"	0.761	6209 ZZ	6206 ZZ
254/6JM	2.559	3.006	1.11	6.25	0.187	3.631	12.01	12.84	3.645	0.53	6.299	6.017	0.25	1.732"	0.83	6309 Z-C3	6208 Z-C3

Frame	Type	Flange	Size	AJ	AK	BD	S	T	AH	Angle	BF Number
143/5JM	C	C	FC-149	5.874	4.5	6.45	UNC 3/8"x16	0.157	4.267	45°	4
182/4JM	C	C	FC-149	5.874	4.5	6.496	UNC 3/8"x16	0.157	4.258	45°	4
213/5JM	C	C	FC-184	7.25	8.5	9.401	UNC 1/2"x13	0.25	4.258	45°	4
254/6JM	C	C	FC-184	7.25	8.5	11.084	UNC 1/2"x13	0.25	5.25	45°	4

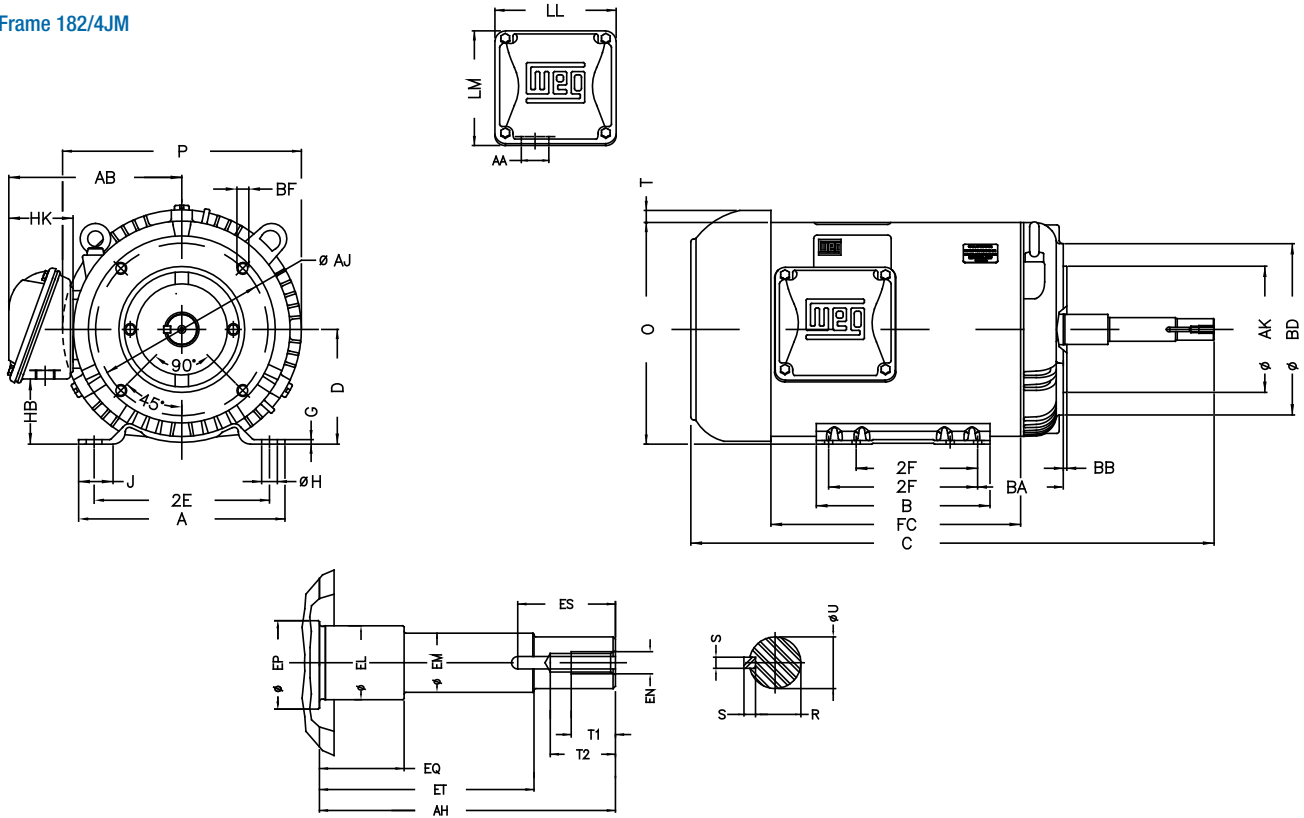
Frame 143/5JM



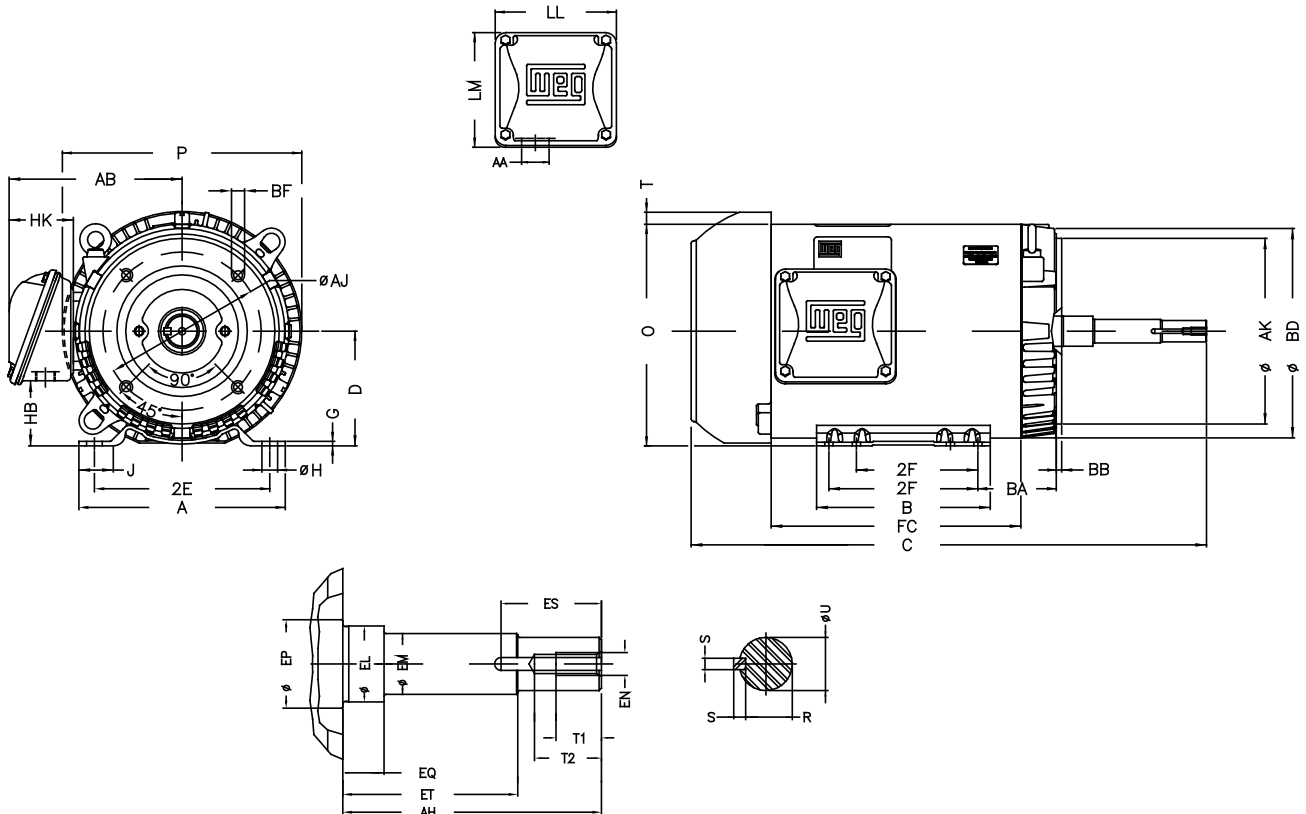
Drawings on next page

CCP - JM - Three Phase - TEFC - Rolled Steel - *continued*

Frame 182/4JM



Frames 213/5JM to 254/6JM





## CCP - JM - Three Phase - TEFC - Cast Iron

Frame	2E	J	A	P	AB	AH	2F	B	BA	CH	U	d1	EL	EM	EP
143JM	5.5	1.437	6.457	7.047	6.26	4.258	4	5.157	2.56	0.719	0.874	EUNC 3/8"-16	1.156	1	1.179
143/5JM	5.5	1.437	6.457	7.047	6.26	4.258	4.000/5.000	6.142	2.56	0.719	0.874	EUNC 3/8"-16	1.156	1	1.179
145JM	5.5	1.437	6.457	7.047	6.26	4.258	5	6.142	2.56	0.719	0.874	EUNC 3/8"-16	1.156	1	1.179
182JM	7.5	1.614	8.661	8.74	7.565	4.258	4.5	5.945	2.75	1.337	0.874	EUNC 3/8"-16	1.25	1	1.376
184JM	7.5	1.614	8.661	8.74	7.565	4.258	5.5	6.969	2.75	1.337	0.874	EUNC 3/8"-16	1.25	1	1.376
182/4JM	7.5	1.614	8.661	8.74	7.565	4.258	4.500/5.500	6.969	2.75	1.337	0.874	EUNC 3/8"-16	1.25	1	1.376
213JM	8.5	1.779	9.764	10.669	8.606	4.258	5.5	7.362	3.5	1.22	0.874	EUNC 3/8"-16	1.25	1	1.77
213/5JM	8.5	1.779	9.764	10.669	8.606	4.258	5.500/7.000	8.858	3.5	1.22	0.874	EUNC 3/8"-16	1.25	1	1.77
215JM	8.5	1.779	9.764	10.669	8.606	4.258	7	8.858	3.5	1.22	0.874	EUNC 3/8"-16	1.25	1	1.77
254JM	10	2.539	12.126	12.953	10.483	5.25	8.252	10	4.25	1.85	1.249	EUNC 1/2"-13	1.75	1.375	1.75
254JM	10	2.539	12.126	12.953	10.483	5.25	8.252	10	4.25	1.85	1.249	EUNC 1/2"-13	1.75	1.375	1.75
256JM	10	2.539	12.126	12.953	10.483	5.25	10	11.732	4.25	1.85	1.249	EUNC 1/2"-13	1.75	1.375	1.75
254/6JM	10	2.539	12.126	12.953	10.483	5.25	8.252/10.000	11.732	4.25	1.85	1.249	EUNC 1/2"-13	1.75	1.375	1.75
284JM	11	3.11	13.78	14.173	11.073	5.25	9.5	11.575	4.75	2.244	1.249	EUNC 1/2"-13	1.75	1.375	2.163
284/6JM	11	3.11	13.78	14.173	11.073	5.25	9.500/11.000	13.071	4.75	2.244	1.249	EUNC 1/2"-13	1.75	1.375	2.163
286JM	11	3.11	13.78	14.173	11.073	5.25	11	13.071	4.75	2.244	1.249	EUNC 1/2"-13	1.75	1.375	2.163
324JM	12.5	3.189	15.157	15.827	12.575	5.25	10.5	13.071	5.25	2.638	1.249	EUNC 1/2"-13	1.75	1.375	2.36
324/6JM	12.5	3.189	15.157	15.827	12.575	5.25	10.500/12.000	14.567	5.25	2.638	1.249	EUNC 1/2"-13	1.75	1.375	2.36
326JM	12.5	3.189	15.157	15.827	12.575	5.25	12	14.567	5.25	2.638	1.249	EUNC 1/2"-13	1.75	1.375	2.36
364/5JM	14.016	3.15	17.165	17.914	16.016	5.25	11.260/12.244	15.512	5.875	3.189	1.249	EUNC 1/2"-13	1.75	1.375	2.756

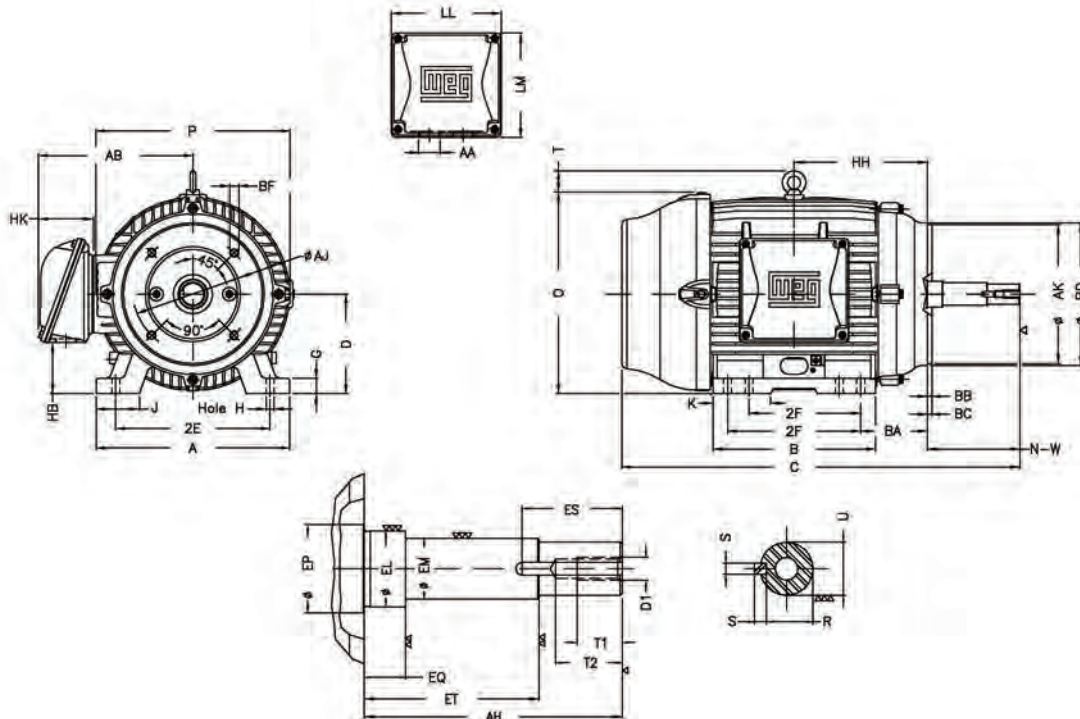
Frame	EQ	ET	R	D	HB	O	HH	HK	Hole H	C	LL	LM	S	T	DE	NDE
143JM	0.63	2.88	0.768	3.5	1.787	7.122	4.25	2.638	0.344	14.691	4.528	4.094	0.187		6206 ZZ	6204 ZZ
143/5JM	0.63	2.88	0.767	3.5	1.787	7.122	4.75	2.638	0.344	15.675	4.528	4.094	0.187		6206 ZZ	6204 ZZ
145JM	0.63	2.88	0.767	3.5	1.787	7.122	4.75	2.638	0.344	15.675	4.528	4.094	0.187		6206 ZZ	6204 ZZ
182JM	0.63	2.88	0.768	4.5	2.236	9.343	5	3.15	0.406	16.412	5.512	5.236	0.187	1.772	6307 ZZ	6206 ZZ
184JM	0.63	2.88	0.768	4.5	2.236	9.343	5.5	3.15	0.406	17.411	5.512	5.236	0.187	1.772	6307 ZZ	6206 ZZ
182/4JM	0.63	2.88	0.768	4.5	2.236	9.343	5.5	3.15	0.406	17.411	5.512	5.236	0.187	1.772	6307 ZZ	6206 ZZ
213JM	0.63	2.88	0.768	5.25	2.985	10.508	6.25	3.15	0.406	18.852	5.512	5.236	0.187	2.105	6309 Z-C3	6207 ZZ
213/5JM	0.63	2.88	0.768	5.25	2.985	10.508	7	3.15	0.406	20.392	5.512	5.236	0.187	2.105	6309 Z-C3	6207 ZZ
215JM	0.63	2.88	0.768	5.25	2.985	10.508	7	3.15	0.406	20.392	5.512	5.236	0.187	2.105	6309 Z-C3	6207 ZZ
254JM	0.63	3.006	1.11	6.25	3.061	12.598	8.376	3.976	0.531	24.478	7.815	7.48	0.25	2.087	6309 C3	6209 C3
254JM	0.63	3.006	1.11	6.25	3.061	12.598	8.376	3.976	0.531	24.478	7.815	7.48	0.25	2.087	6309 C3	6209 C3
256JM	0.63	3.006	1.11	6.25	3.061	12.598	9.25	3.976	0.531	26.226	7.815	7.48	0.25	2.087	6309 C3	6209 C3
254/6JM	0.63	3.006	1.11	6.25	3.061	12.598	9.25	3.976	0.531	26.226	7.815	7.48	0.25	2.087	6309 C3	6209 C3
284JM	0.63	3.006	1.11	7	3.535	14.067	9.5	3.976	0.531	27.165	7.815	7.48	0.25	2.087	6311 C3	6211 C3
284/6JM	0.63	3.006	1.11	7	3.535	14.067	10.25	3.976	0.531	28.7	7.815	7.48	0.25	2.087	6311 C3	6211 C3
286JM	0.63	3.006	1.11	7	3.535	14.067	10.25	3.976	0.531	28.7	7.815	7.48	0.25	2.087	6311 C3	6211 C3
324JM	0.63	3.006	1.11	8	4.811	15.953	10.5	4.705	0.657	28.149	9.055	8.661	0.25	2.441	6312 C3	6212 C3
324/6JM	0.63	3.006	1.11	8	4.811	15.953	11.25	4.705	0.657	29.645	9.055	8.661	0.25	2.441	6312 C3	6212 C3
326JM	0.63	3.006	1.11	8	4.811	15.953	11.25	4.705	0.657	29.645	9.055	8.661	0.25	2.441	6312 C3	6212 C3
364/5JM	0.63	3.006	1.11	9	4.251	17.716	11.988	6.024	0.66	33.832	10.591	11.267	0.25	3.819	6314 C3	6314 C3

continued on next page

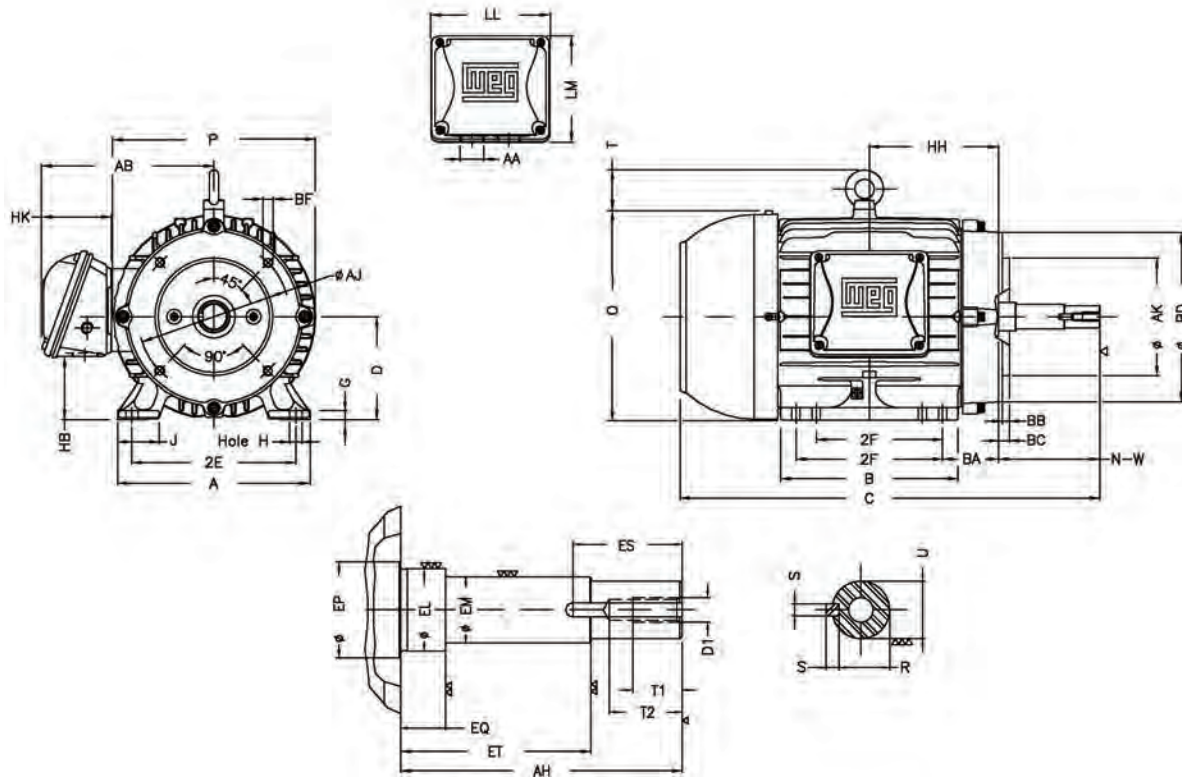
## CCP - JM - Three Phase - TEFC - Cast Iron - *continued*

Frame	Type	Flange	Size	AJ	AK	BD	S	T	AH	Angle	BF Number
143JM	C	C	FC-149	5.874	4.5	6.496	UNC 3/8"x16	0.157	4.258	45°	4
145JM	C	C	FC-149	5.874	4.5	6.496	UNC 3/8"x16	0.157	4.258	45°	4
143/5JM	C	C	FC-149	5.874	4.5	6.496	UNC 3/8"x16	0.157	4.258	45°	4
182JM	C	C	FC-149	5.874	4.5	6.496	UNC 3/8"x16	0.157	4.258	45°	4
184JM	C	C	FC-149	5.874	4.5	6.496	UNC 3/8"x16	0.157	4.258	45°	4
182/4JM	C	C	FC-149	5.874	4.5	6.496	UNC 3/8"x16	0.157	4.258	45°	4
213JM	C	C	FC-184	7.252	8.5	8.858	UNC 1/2"x13	0.248	4.258	45°	4
213/5JM	C	C	FC-184	7.252	8.5	8.858	UNC 1/2"x13	0.248	4.258	45°	4
215JM	C	C	FC-184	7.252	8.5	8.858	UNC 1/2"x13	0.248	4.258	45°	4
254JM	C	C	FC-184	7.252	8.5	8.858	UNC 1/2"x13	0.248	5.25	45°	4
256JM	C	C	FC-184	7.252	8.5	8.858	UNC 1/2"x13	0.248	5.25	45°	4
254/6JM	C	C	FC-184	7.252	8.5	8.858	UNC 1/2"x13	0.248	5.25	45°	4
284JM	C	C	FC-279	11	12.5	13.593	UNC 5/8"x11	0.248	5.25	45°	4
286JM	C	C	FC-279	11	12.5	13.593	UNC 5/8"x11	0.248	5.25	45°	4
284/6JM	C	C	FC-279	11	12.5	13.593	UNC 5/8"x11	0.248	5.25	45°	4
324JM	C	C	FC-279	11	12.5	13.593	UNC 5/8"x11	0.248	5.25	45°	4
326JM	C	C	FC-279	11	12.5	13.593	UNC 5/8"x11	0.248	5.25	45°	4
324/6JM	C	C	FC-279	11	12.5	13.593	UNC 5/8"x11	0.248	5.25	45°	4
364/5JM	C	C	FC-279	11	12.5	15.562	UNC 5/8"x11	0.248	5.25	45°	8

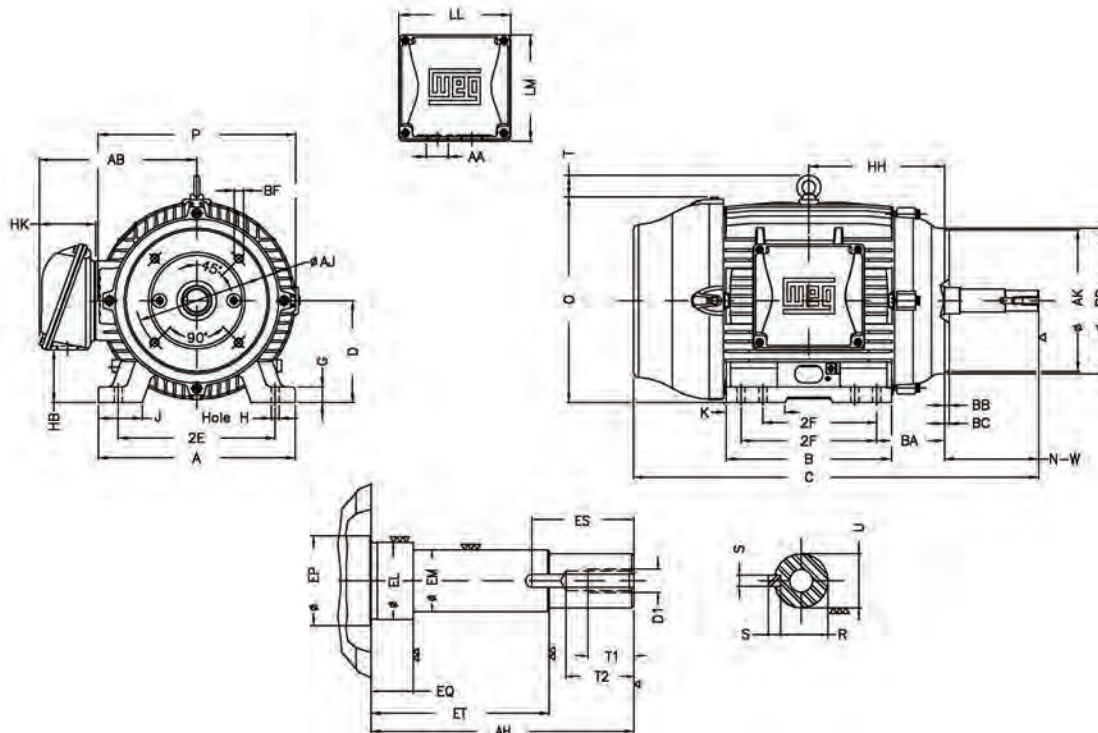
### Frames 143JM to 215JM



## Frames 254JM to 326JM



## Frame 364/5JM



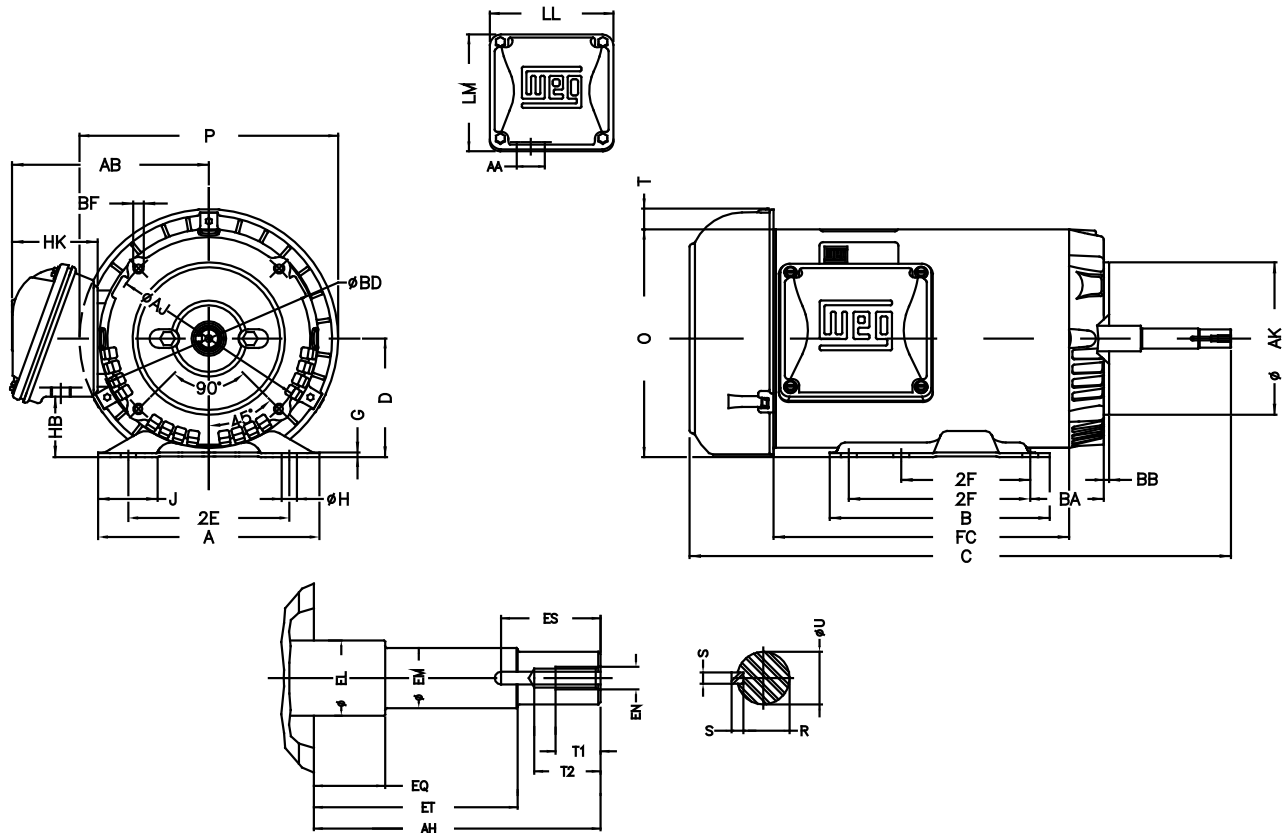
## CCP - JP - Three Phase - TEFC - Rolled Steel

Frame	2E	J	A	P	AB	AH	2F	B	BA	CH	U	d1	EL	EM	EP
143/5JP	5.5	1.732	6.535	7.638	5.873	7.319	4.000/5.000	6.496	2.75	1.377	0.875	EUNC 3/8"-16	1.156	1	1.179
182/4JP	7.5	1.299	8.661	9.435	6.696	7.319	4.500/5.500	6.299	3.5	1.377	0.875	EUNC 3/8"-16	1.25	1	1.376
213/5JP	8.5	1.575	9.449	10.965	7.973	8.13	5.500/7.000	7.953	4.25	1.929	1.25	EUNC 1/2"-13	1.75	1.375	1.769
254/6JP	10	1.693	11.417	13.18	9.448	8.13	8.252/10.000	11.417	4.75	1.929	1.249	EUNC 1/2"-13	1.75	1.375	1.769

Frame	Key Length	ET	Width	R	D	G	HB	O	HK	Hole H	LL	LM	S	AA	T	DE	NDE
143/5JP	1.654	5.941	0.187	0.771	3.5	0.12	1.784	6.724	2.629	0.343	4.563	4.09	0.187	1.118"	0.603	6206 ZZ	6203 ZZ
182/4JP	1.654	5.941	0.187	0.771	4.5	0.167	2.784	8.557	2.629	0.406	4.563	4.09	0.187	1.118"	0.661	6207 ZZ	6205 ZZ
213/5JP	2.56	5.886	0.25	1.11	5.25	0.167	2.982	10.144	3.022	0.406	5.551	5.25	0.25	1.377"	0.761	6209 ZZ	6206 ZZ
254/6JP	2.559	5.886	0.25	1.11	6.25	0.187	3.631	12.01	3.645	0.53	6.299	6.017	0.25	1.732"	0.83	6309 Z-C3	6208 Z-C3

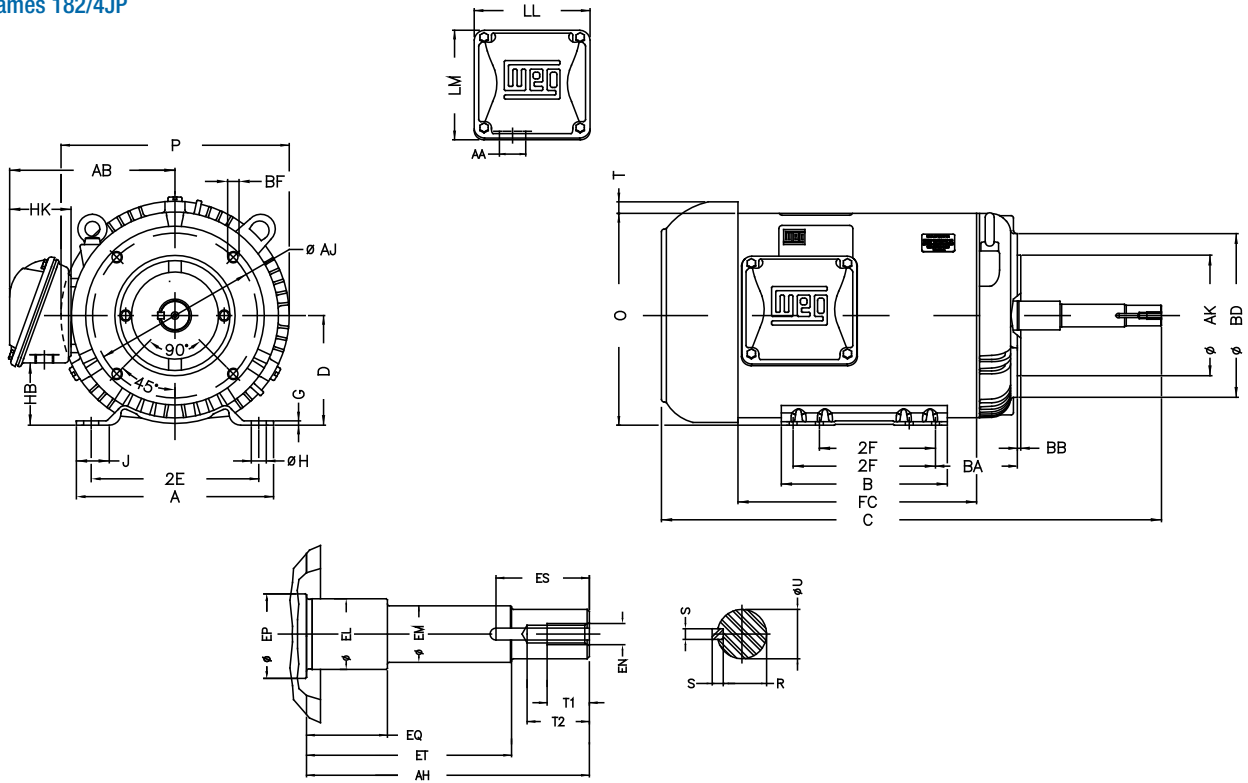
Frame	Type	Flange	Size	BB	AJ	AK	BD	S	T	AH	Angle	BF Number
143/5JP	C	C	FC-149	0.157	5.874	4.5	6.45	UNC 3/8"x16	0.157	7.319	45°	4
182/4JP	C	C	FC-149	0.157	5.874	4.5	6.496	UNC 3/8"x16	0.138	7.319	45°	4
213/5JP	C	C	FC-184	0.25	7.25	8.5	9.401	UNC 1/2"x13	0.25	8.13	45°	4
254/6JP	C	C	FC-184	0.25	7.25	8.5	11.084	UNC 1/2"x13	0.25	8.13	45°	4

### Frames 143/5JP

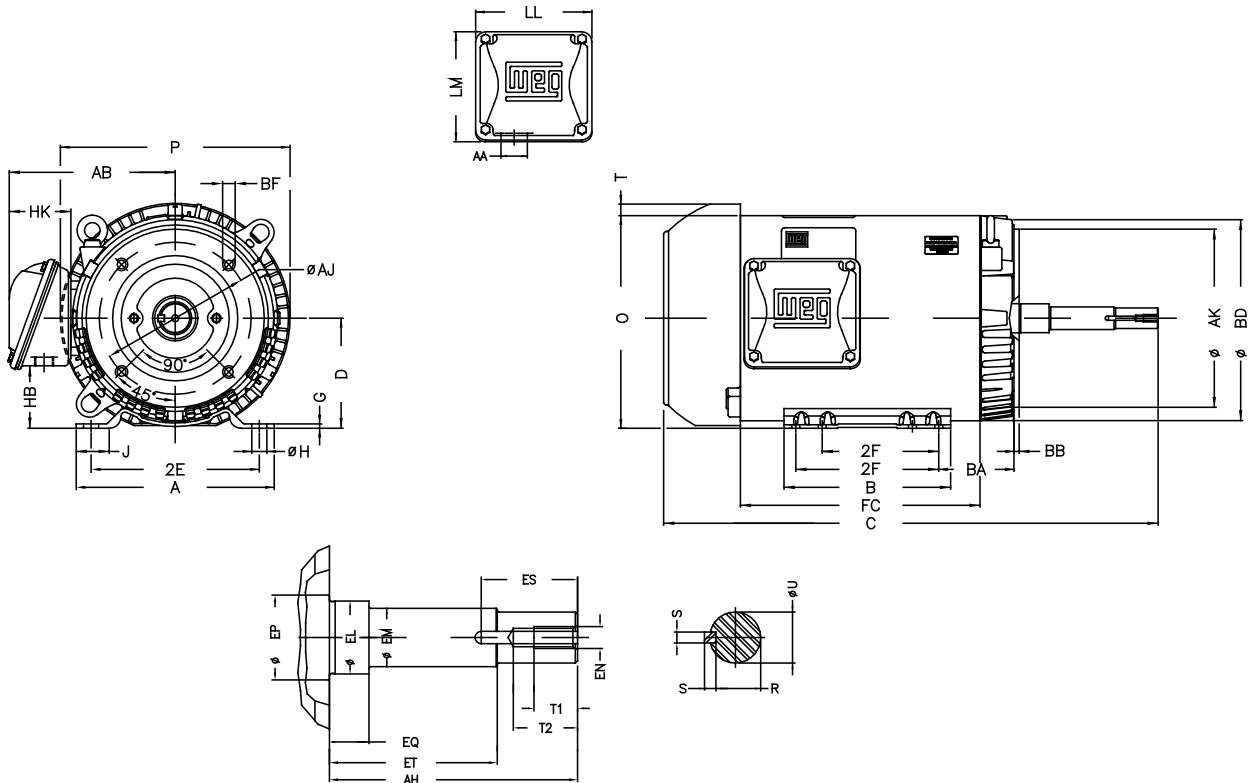


## CCP - JP - Three Phase - TEFC - Rolled Steel - *continued*

Frames 182/4JP



Frames 213-254/6JP



## CCP - JP - Three Phase - TEFC - Cast Iron

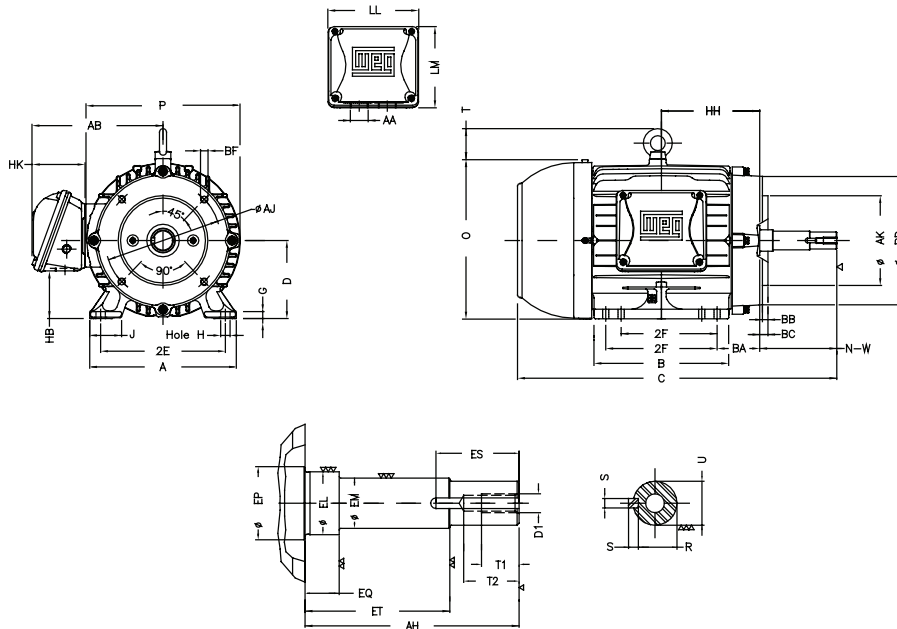
Frame	2E	J	A	P	AB	AH	2F	B	BA	CH	U	EL	EM	EP	EQ	Key Length
143JP	5.5	1.437	6.457	7.047	6.26	7.319	4	5.157	2.56	0.719	0.874	1.156	1	1.179	1.563	1.654
143/5JP	5.5	1.437	6.457	7.047	6.26	7.319	4.000/5.000	6.142	2.56	0.719	0.874	1.156	1	1.179	1.563	1.654
145JP	5.5	1.437	6.457	7.047	6.26	7.319	5	6.142	2.56	0.719	0.874	1.156	1	1.179	1.563	1.654
182JP	7.5	1.614	8.661	8.74	7.565	7.319	4.5	5.945	2.75	1.337	0.874	1.25	1	1.376	1.563	1.575
182/4JP	7.5	1.614	8.661	8.74	7.565	7.319	4.500/5.500	6.969	2.75	1.337	0.874	1.25	1	1.376	1.563	1.575
213JP	8.5	1.779	9.764	10.669	8.606	8.13	5.5	7.362	3.5	1.22	1.249	1.75	1.375	1.77	2.382	2.48
213/5JP	8.5	1.779	9.764	10.669	8.606	8.13	5.500/7.000	8.858	3.5	1.22	1.249	1.75	1.375	1.77	2.382	2.48
215JP	8.5	1.779	9.764	10.669	8.606	8.13	7	8.858	3.5	1.22	1.249	1.75	1.375	1.77	2.382	2.48
254JP	10	2.539	12.126	12.953	10.483	8.13	8.252	10	4.25	1.85	1.249	1.75	1.375	1.77	2.382	2.48
254/6JP	10	2.539	12.126	12.953	10.483	8.13	8.252/10.000	11.732	4.25	1.85	1.249	1.75	1.375	1.77	2.382	2.48
256JP	10	2.539	12.126	12.953	10.483	8.13	10	11.732	4.25	1.85	1.249	1.75	1.375	1.77	2.382	2.48
284JP	11	3.11	13.78	14.173	11.073	8.13	9.5	11.575	4.75	2.244	1.249	1.75	1.375	2.163	2.382	2.48
284/6JP	11	3.11	13.78	14.173	11.073	8.13	9.500/11.000	13.071	4.75	2.244	1.249	1.75	1.375	2.163	2.382	2.48
324JP	12.5	3.189	15.157	15.827	12.575	8.13	10.5	13.071	5.25	2.638	1.249	1.75	1.375	2.36	2.402	2.48
326JP	12.5	3.189	15.157	15.827	12.575	8.13	12	14.567	5.25	2.638	1.249	1.75	1.375	2.36	2.402	2.48
324/6JP	12.5	3.189	15.157	15.827	12.575	8.13	10.500/12.000	14.567	5.25	2.638	1.249	1.75	1.375	2.36	2.402	2.48
364/5JP	14.016	3.15	17.165	17.914	16.016	8.13	11.260/12.244	15.512	5.875	3.189	1.624	2.125	1.75	2.756	2.382	2.48
404/5JP	15.984	3.937	19.921	19.134	16.016	8.13	12.244/13.740	18.386	6.625	3.189	1.624	2.125	1.75	2.756	2.382	2.48

Frame	ET	R	D	G	HB	O	HH	HK	Hole H	C	LL	LM	S	AA	DE	NDE
143JP	5.941	0.768	3.5	0.354	1.787	7.122	4.25	2.638	0.344	17.752	4.528	4.094	0.187	NPT 3/4"	6206 ZZ	6204 ZZ
143/5JP	5.941	0.768	3.5	0.354	1.787	7.122	4.75	2.638	0.344	18.736	4.528	4.094	0.187	NPT 3/4"	6206 ZZ	6204 ZZ
145JP	5.941	0.768	3.5	0.354	1.787	7.122	4.75	2.638	0.344	18.736	4.528	4.094	0.187	NPT 3/4"	6206 ZZ	6204 ZZ
182JP	5.941	0.768	4.5	0.394	2.236	9.343	5	3.15	0.406	19.475	5.512	5.236	0.187	NPT 1"	6307 ZZ	6206 ZZ
182/4JP	5.941	0.768	4.5	0.394	2.236	9.343	5.5	3.15	0.406	20.475	5.512	5.236	0.187	NPT 1"	6307 ZZ	6206 ZZ
213JP	5.886	1.11	5.25	0.669	2.985	10.508	6.25	3.15	0.406	22.804	5.512	5.236	0.25	NPT 1"	6309 Z-C3	6207 ZZ
213/5JP	5.886	1.11	5.25	0.669	2.985	10.508	7	3.15	0.406	24.264	5.512	5.236	0.25	NPT 1"	6309 Z-C3	6207 ZZ
215JP	5.886	1.11	5.25	0.669	2.985	10.508	7	3.15	0.406	24.264	5.512	5.236	0.25	NPT 1"	6309 Z-C3	6207 ZZ
254JP	5.886	1.11	6.25	0.827	3.061	12.598	8.376	3.976	0.531	27.358	7.815	7.48	0.25	NPT 1 1/2"	6309 C3	6209 C3
254/6JP	5.886	1.11	6.25	0.827	3.061	12.598	9.25	3.976	0.531	29.106	7.815	7.48	0.25	NPT 1 1/2"	6309 C3	6209 C3
256JP	5.886	1.11	6.25	0.827	3.061	12.598	9.25	3.976	0.531	29.106	7.815	7.48	0.25	NPT 1 1/2"	6309 C3	6209 C3
284JP	5.886	1.11	7	1.023	3.535	14.067	9.5	3.976	0.531	30.079	7.815	7.48	0.25	NPT 1 1/2"	6311 C3	6211 C3
284/6JP	5.886	1.11	7	1.023	3.535	14.067	10.25	3.976	0.531	31.575	7.815	7.48	0.25	NPT 1 1/2"	6311 C3	6211 C3
324JP	5.906	1.11	8	1.3	4.811	15.953	10.5	4.705	0.657	32.525	9.055	8.661	0.25	NPT 2"	6312 C3	6212 C3
326JP	5.906	1.11	8	1.3	4.811	15.953	11.25	4.705	0.657	34.021	9.055	8.661	0.25	NPT 2"	6312 C3	6212 C3
324/6JP	5.906	1.11	8	1.3	4.811	15.953	11.25	4.705	0.657	34.021	9.055	8.661	0.25	NPT 2"	6312 C3	6212 C3
364/5JP	5.886	1.413	9	1.48	4.251	17.716	11.988	6.024	0.66	35.916	10.591	11.267	0.375	NPT 3"	6314 C3	6314 C3
404/5JP	5.886	1.413	10	1.811	5.252	19.566	13.496	6.024	0.81	38.911	10.591	11.267	0.375	NPT 3"	6314 C3	6314 C3

## CCP - JP - Three Phase - TEFC - Cast Iron - *continued*

Frame	Type	Flange	Size	AJ	AK	BD	S	T	AH	Angle	BF Number
143JP	C	C	FC-149	5.874	4.5	6.496	UNC 3/8"x16	0.157	7.319	45°	4
143/5JP	C	C	FC-149	5.874	4.5	6.496	UNC 3/8"x16	0.157	7.319	45°	4
145JP	C	C	FC-149	5.874	4.5	6.496	UNC 3/8"x16	0.157	7.319	45°	4
182JP	C	C	FC-149	5.874	4.5	6.496	UNC 3/8"x16	0.157	7.319	45°	4
182/4JP	C	C	FC-149	5.874	4.5	6.496	UNC 3/8"x16	0.157	7.319	45°	4
213JP	C	C	FC-184	7.252	8.5	8.858	UNC 1/2"x13	0.248	8.13	45°	4
213/5JP	C	C	FC-184	7.252	8.5	8.858	UNC 1/2"x13	0.248	8.13	45°	4
215JP	C	C	FC-184	7.252	8.5	8.858	UNC 1/2"x13	0.248	8.13	45°	4
254JP	C	C	FC-184	7.252	8.5	8.858	UNC 1/2"x13	0.248	8.13	45°	4
254/6JP	C	C	FC-184	7.252	8.5	8.858	UNC 1/2"x13	0.248	8.13	45°	4
256JP	C	C	FC-184	7.252	8.5	8.858	UNC 1/2"x13	0.248	8.13	45°	4
284JP	C	C	FC-279	11	12.5	13.593	UNC 5/8"x11	0.248	8.13	45°	4
284/6JP	C	C	FC-279	11	12.5	13.593	UNC 5/8"x11	0.248	8.13	45°	4
324JP	C	C	FC-279	11	12.5	13.593	UNC 5/8"x11	0.248	8.13	45°	4
326JP	C	C	FC-279	11	12.5	13.593	UNC 5/8"x11	0.248	8.13	45°	4
324/6JP	C	C	FC-279	11	12.5	13.593	UNC 5/8"x11	0.248	8.13	45°	4
364/5JP	C	C	FC-279	11	12.5	15.562	UNC 5/8"x11	0.248	8.13	45°	8
404/5JP	C	C	FC-279	11	12.5	15.562	UNC 5/8"x11	0.248	8.13	45°	8

### Frames 143JP to 213/5JP

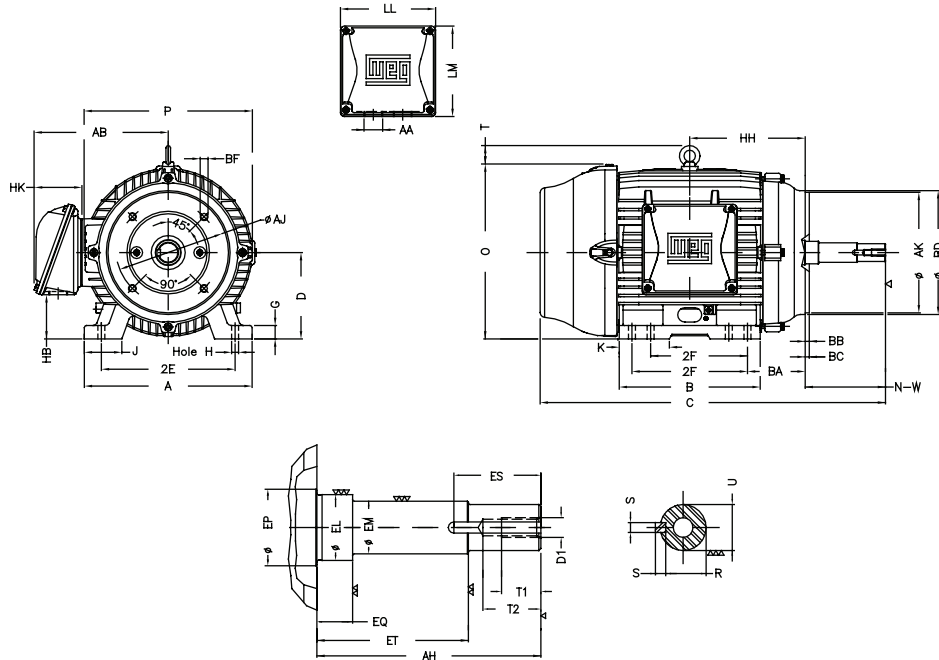


Drawings on next page

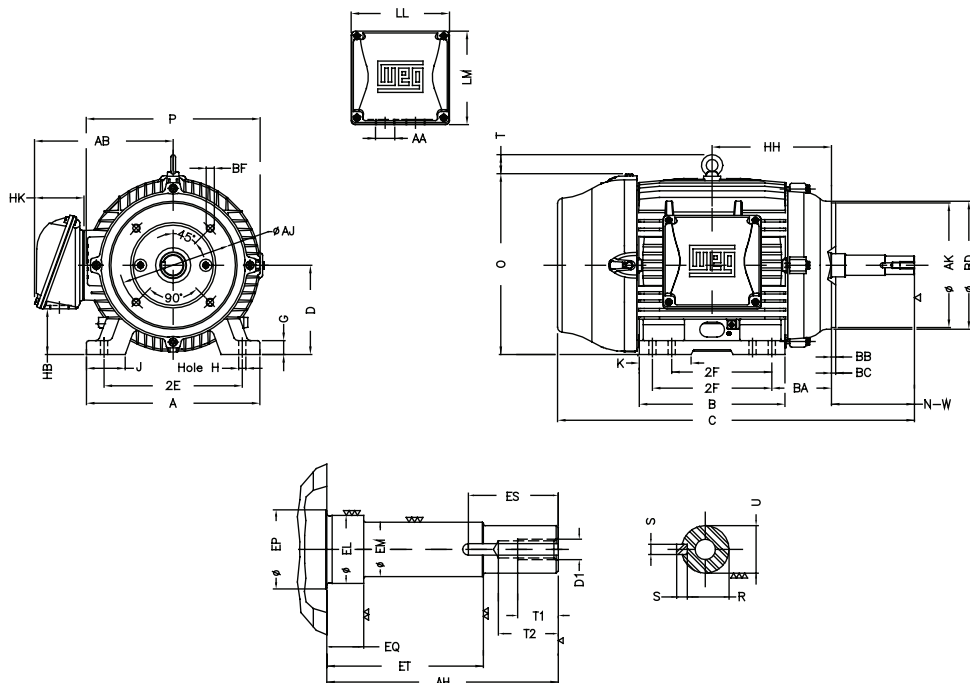


## CCP - JP - Three Phase - TEFC - Cast Iron - *continued*

Frames 254JP to 326JP



Frames 364/5JP to 404/5JP





## CCP - JM - Three Phase - ODP - Rolled Steel

Frame	2E	J	A	P	AB	AH	2F	B	BA	CH	U	EL	EM	EP	EQ
143/5JM	5.5	1.732	6.535	6.467	5.873	4.267	4.000/5.000	6.496	2.75	1.377	0.8745	1.156	1	1.179	0.63
182/4JM	7.5	1.299	8.661	8.114	6.696	4.258	4.500/5.500	6.299	3.5	1.377	0.8745	1.25	1	1.376	0.63
213/5JM	8.5	1.575	9.449	9.846	7.973	4.258	5.500/7.000	7.953	4.25	1.929	0.8745	1.25	1	1.769	0.63
254/6JM	10	1.693	11.417	11.558	9.448	5.25	8.252/10.000	11.417	4.75	1.929	1.249	1.75	1.375	1.769	0.63

Frame	ET	R	D	G	HB	O	HD	HK	Hole H	C	LL	LM	S	AA	DE	NDE
143/5JM	2.88	0.771	3.5	0.12	1.784	6.724	6.728	2.629	0.343		4.563	4.09	0.187	1.118"	6206 ZZ	6203 ZZ
182/4JM	2.88	0.771	4.5	0.167	2.784	8.557	8.557	2.629	0.406		4.563	4.09	0.187	1.118"	6207 ZZ	6205 ZZ
213/5JM	2.88	0.771	5.25	0.167	2.982	10.144	10.173	3.022	0.406		5.551	5.25	0.187	1.377"	6209 ZZ	6206 ZZ
254/6JM	3.006	1.11	6.25	0.187	3.631	12.01	12.029	3.645	0.53		6.299	6.017	0.25	1.732"	6309 Z-C3	6208 Z-C3

Frame	Type	Flange	Size	AJ	AK	BD	S	T	AH	Angle	BF Number
143/5JM	C	C	FC-149	5.874	4.5	6.45	UNC 3/8"x16	0.157	4.267	45°	4
182/4JM	C	C	FC-149	5.874	4.5	6.496	UNC 3/8"x16	0.138	4.258	45°	4
213/5JM	C	C	FC-184	7.25	8.5	9.401	UNC 1/2"x13	0.25	4.258	45°	4
254/6JM	C	C	FC-184	7.25	8.5	11.084	UNC 1/2"x13	0.25	5.25	45°	4

## CCP - JP - Three Phase - ODP - Rolled Steel

Frame	2E	J	A	P	AB	AH	2F	B	BA	CH	U	EL	EM	EP	EQ
143/5JP	5.5	1.732	6.535	6.467	5.873	7.319	4.000/5.000	6.496	2.75	1.377	0.875	1.156	1	1.179	1.563
182/4JP	7.5	1.299	8.661	8.114	6.696	7.319	4.500/5.500	6.299	3.5	1.377	0.875	1.25	1	1.376	1.563
213/5JP	8.5	1.575	9.449	9.846	7.973	8.13	5.500/7.000	7.953	4.25	1.929	1.25	1.75	1.375	1.769	2.374
254/6JP	10	1.693	11.417	11.558	9.448	8.13	8.252/10.000	11.417	4.75	1.929	1.249	1.75	1.375	1.769	2.382

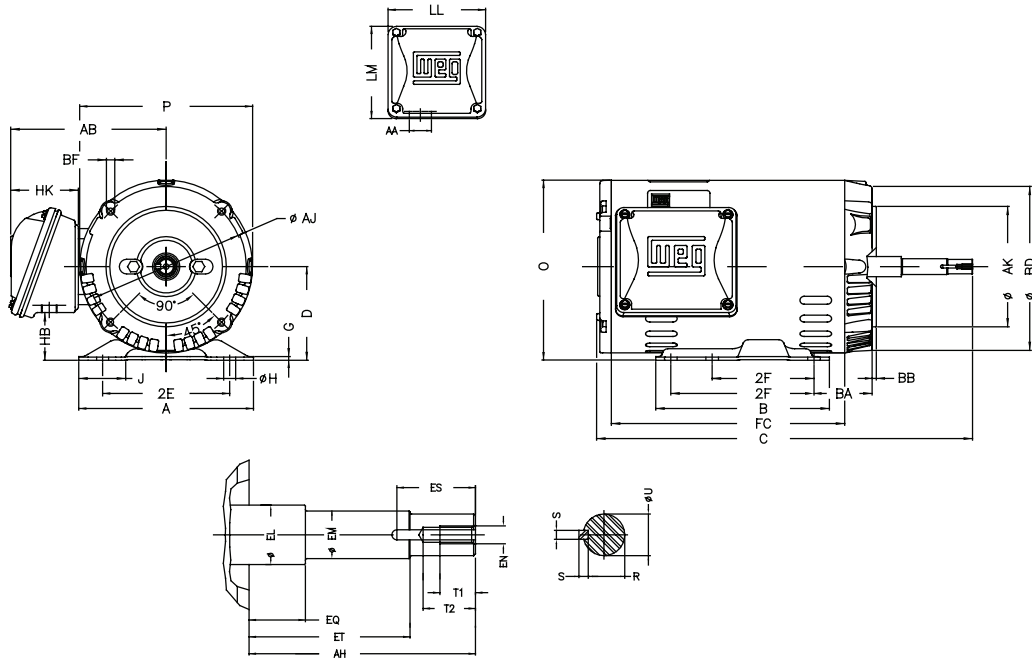
Frame	Key Length	ET	R	D	G	HB	O	HD	HK	Hole H	C	LL	LM	S	AA	DE	NDE
143/5JP	1.654	5.941	0.771	3.5	0.12	1.784	6.724	6.728	2.629	0.343	-	4.563	4.09	0.187	1.118"	6206 ZZ	6203 ZZ
182/4JP	1.654	5.941	0.771	4.5	0.167	2.784	8.557	8.557	2.629	0.406	-	4.563	4.09	0.187	1.118"	6207 ZZ	6205 ZZ
213/5JP	2.56	5.886	1.11	5.25	0.167	2.982	10.144	10.173	3.022	0.406	-	5.551	5.25	0.25	1.377"	6209 ZZ	6206 ZZ
254/6JP	2.559	5.886	1.11	6.25	0.187	3.631	12.01	12.029	3.645	0.53		6.299	6.017	0.25	1.732"	6309 Z-C3	6208 Z-C3

Frame	Type	Flange	Size	AJ	AK	BD	S	T	AH	Angle	BF Number
143/5JP	C	C	FC-149	5.874	4.5	6.45	UNC 3/8"x16	0.157	7.319	45°	4
182/4JP	C	C	FC-149	5.874	4.5	6.496	UNC 3/8"x16	0.138	7.319	45°	4
213/5JP	C	C	FC-184	7.25	8.5	9.401	UNC 1/2"x13	0.25	8.13	45°	4
254/6JP	C	C	FC-184	7.25	8.5	11.084	UNC 1/2"x13	0.25	8.13	45°	4

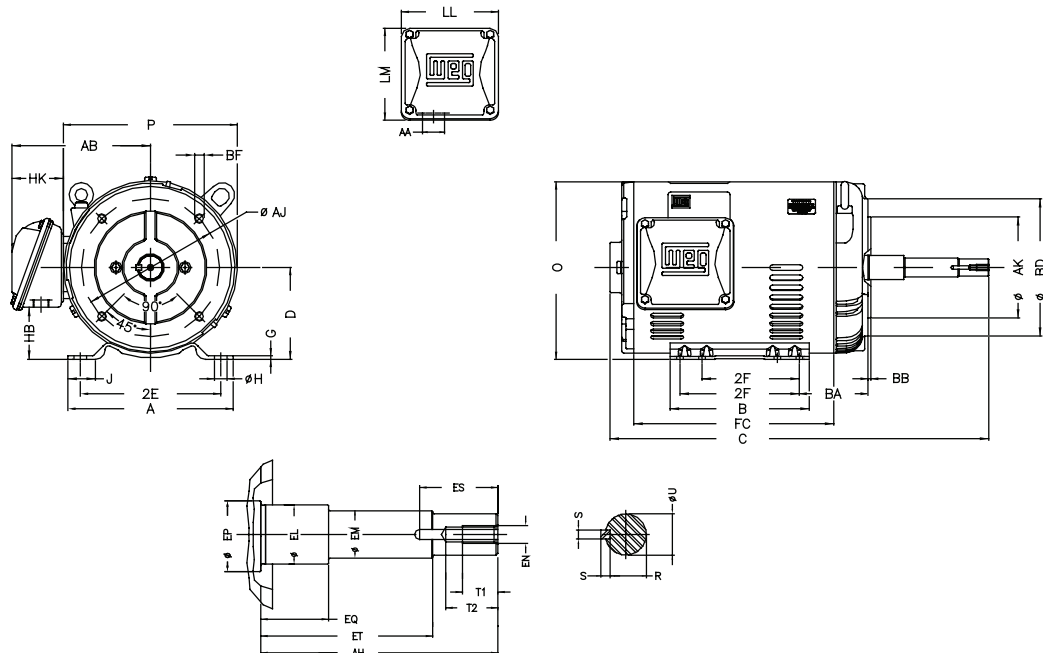
Drawings on next page

## CCP - JM and JP - Three Phase - ODP - Rolled Steel - *continued*

### Frame 143

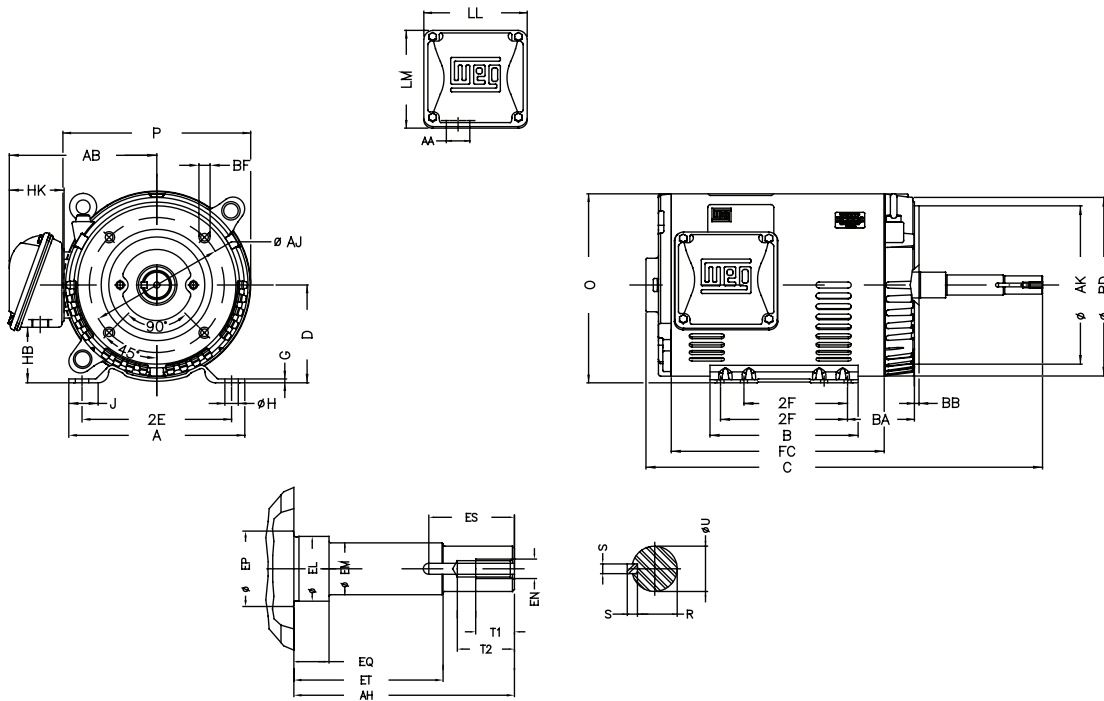


### Frame 182



## CCP - JM and JP - Three Phase - ODP - Rolled Steel - *continued*

Frame 213 to 256





CCP - JM and JP - Three Phase - ODP - Cast Iron

NEMA FRAMES	MOUNTING				A	B	D	G	J	K	O	P	P WITH PROTECTION SCREEN	P WITH DRIP COVER
	2E	2F	H	BA										
254 JM/JP	10.000	8.250	0.530	4.980	11.496	9.507	6.250	0.630	1.526	3.012	12.337	12.598	12.824	14.913
254/6 JM/JP		8.250				11.200			1.485	3.563				
		10.000												
284 JM/JP	11.000	9.500	0.530	5.000	13.780	11.032	7.000	0.787	2.496	3.434	13.782	14.134	14.360	16.213
284/6 JM/JP		9.500				12.529			3.847					
		11.000												
324 JM/JP	12.500	10.500	0.660	5.500	15.157	12.176	8.000	0.974	2.802	3.867	15.492	15.669	15.895	17.669
324/6 JM/JP		10.500				13.554			4.359	15.895				
		12.000												
364/5 JM/JP	14.000	11.250	0.810	6.625	19.921	17.866	10.000	1.181	3.524	4.845	18.409	18.406	18.632	19.804
404/5 JP		12.250							19.409	5.654				
	16.000	13.750												

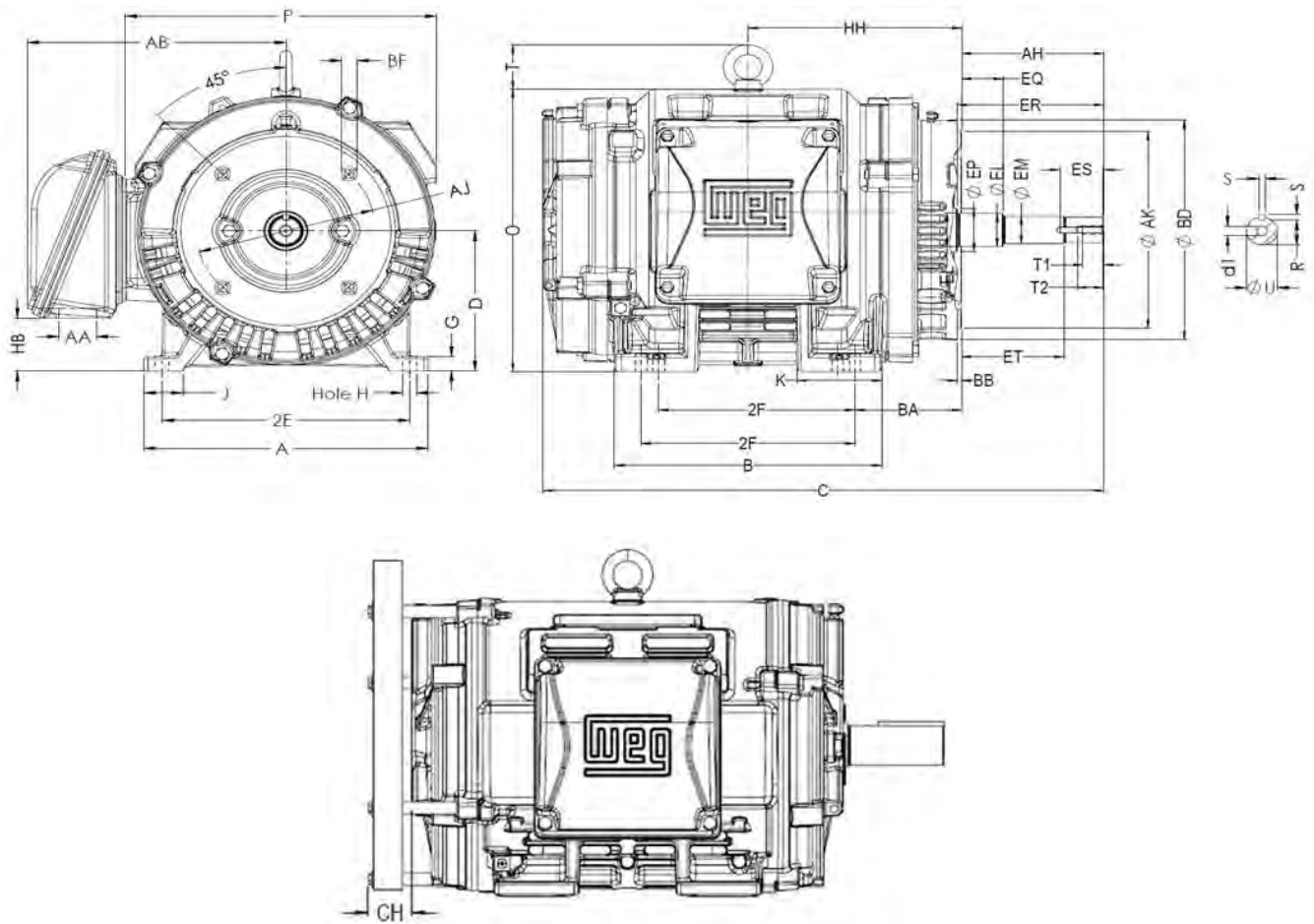
NEMA FRAMES	T	AB	HB	HH	CH	AA	BEARINGS		NEMA "C" FLANGE							
							D.E.	O.D.E.	AJ	AK	BB	BD	BF			
													Qty.	Tap Size	Bolt Depth	
254 JM/JP	2.023	10.462	2.360	9.106	1.831	NPT1.1/2"	6309-Z-C3	6209-Z-C3	7.252	8.500	0.250	14.023	4.000	UNC1/2"x13	0.787	
254/6 JM/JP				9.980												
284 JM/JP	1.939	11.933	2.670	9.750	1.870		NPT2"	6311-Z-C3	6211-Z-C3	11.000	12.500	0.250	14.023	4.000	UNC5/8"x11	0.945
284/6 JM/JP				10.500												
324 JM/JP	2.252	13.394	3.658	10.750	1.870	NPT3"		6312-Z-C3	6212-Z-C3	11.000	12.500	0.250	14.023	4.000	UNC5/8"x11	0.945
324/6 JM/JP	2.265			11.500												
364/5 JM/JP	2.795	15.583	4.256	12.000	2.461		NPT3"	6314-C3	6212-Z-C3	11.000	12.500	0.250	14.023	4.000	UNC5/8"x11	0.945
404/5 JP			5.256	13.500	2.382			6316-C3								

NEMA FRAMES	SHAFT END - TYPE JM														C
	LENGTHS				DIAMETERS				KEYWAY			THREADED HOLE			
	AH	ER	EQ	ET	U	EM	EL	EP	S	R	ES	d1 (UNC)	T1	T2	
254 JM	5.250	5.250	0.630	3.002	1.250	1.375	1.750	1.764	0.250	1.110	2.480	1/2"x13-2B	1.100	1.500	22.517
254/6 JM								24.264							
284 JM								24.033							
284/6 JM								25.533							
324 JM								26.057							
324/6 JM								27.557							
364/5 JM								5.500							27.533

NEMA FRAMES	SHAFT END - TYPE JP														C
	LENGTHS				DIAMETERS				KEYWAY			THREADED HOLE			
	AH	ER	EQ	ET	U	EM	EL	EP	S	R	ES	d1 (UNC)	T1	T2	
254 JP	8.130	8.380	2.382	5.886	1.250	1.375	1.750	1.764	0.250	1.110	2.480	1/2"x13-2B	1.100	1.500	25.398
254/6 JP								27.146							
284 JP								26.913							
284/6 JP								28.413							
324 JP								28.937							
324/6 JP								30.437							
364/5 JP								32.150							
404/5 JP								1.625							1.750

Mechanical Data

## CCP - JM and JP - Three Phase - ODP - Cast Iron



## IEC Metric Motors - Cast Iron Frames

Frame	A	AA	AB	AC	AD	B	BB	C	CA	D	D1	D2	DA	E	EA	ES	F
63	100	25.5	116	125	123	80	95	40	78	11j6	EM4	EM3	9j6	23	20	14	4
71	112	28.5	132	141	131	90	113.5	45	88	14j6	DM5	EM4	11j6	30	23	18	5
80	125	30.5	149	159	140	100	125.5	50	93	19j6	DM6	DM4	14j6	40	30	28	6
90S	140	37	164	184	159	100	131	56	135	24j6	DM8	DM6	16j6	50	40	36	8
90L	140	37	164	184	159	125	156	56	135	24j6	DM8	DM6	16j6	50	40	36	8
L90S	140	37	164	184	159	100	131	56	135	24j6	DM8	DM6	16j6	50	40	36	8
L90L	140	37	164	184	159	125	156	56	135	24j6	DM8	DM6	16j6	50	40	36	8
100L	160	40	188	206	169	140	173	63	118	28j6	DM10	DM8	22j6	60	50	45	8
L100L	160	40	188	206	169	140	173	63	162	28j6	DM10	DM8	22j6	60	50	45	8
112M	190	40.5	220	215	192	140	177	70	128	28j6	DM10	DM8	24j6	60	50	45	8
L112M	190	40.5	220	215	192	140	177	70	158	28j6	DM10	DM8	24j6	60	50	45	8
132S	216	45.5	248	274	220	140	187	89	150	38k6	DM12	DM10	28j6	80	60	63	10
132M	216	45.5	248	274	220	178	225	89	150	38k6	DM12	DM10	28j6	80	60	63	10
132M/L	216	45.5	248	274	220	178/203	250	89	150	38k6	DM12	DM10	28j6	80	60	63	10
160M	254	64	308	329	266	210	254	108	174	42k6	DM16	DM16	42k6	110	110	80	12
160L	254	64	308	329	266	254	298	108	174	42k6	DM16	DM16	42k6	110	110	80	12
180M	279	78	350	360	281	241	294	121	200	48k6	DM16	DM16	48k6	110	110	80	14
180L	279	78	350	360	281	279	332	121	200	48k6	DM16	DM16	48k6	110	110	80	14
200L	318	82	385	402	319	305	370	133	222	55m6	DM20	DM20	48k6	110	110	80	16
225S/M	356	80	436	455	410	286/311	412	149	319/294	60m6	DM20	DM20	60m6	140	140	125	18
250S/M	406	100	506	486	410	311/349	467	168	354/316	65m6	DM20	DM20	60m6	140	140	125	18
280S/M	457	100	557	599	445	368/419	517	190	385/334	75m6	DM20	DM20	65m6	140	140	125	20
315S/M	508	120	630	657	525	406/457	621	216	443	80m6	DM20	DM20	65m6	170	140	160	22
315L	508	120	630	657	589	508	752	216	502	80m6	DM20	DM20	65m6	170	140	160	22
355M/L	610	140	750	736	609	560/630	760	254	483/413	100m6	DM24	DM20	80m6	210	170	200	28

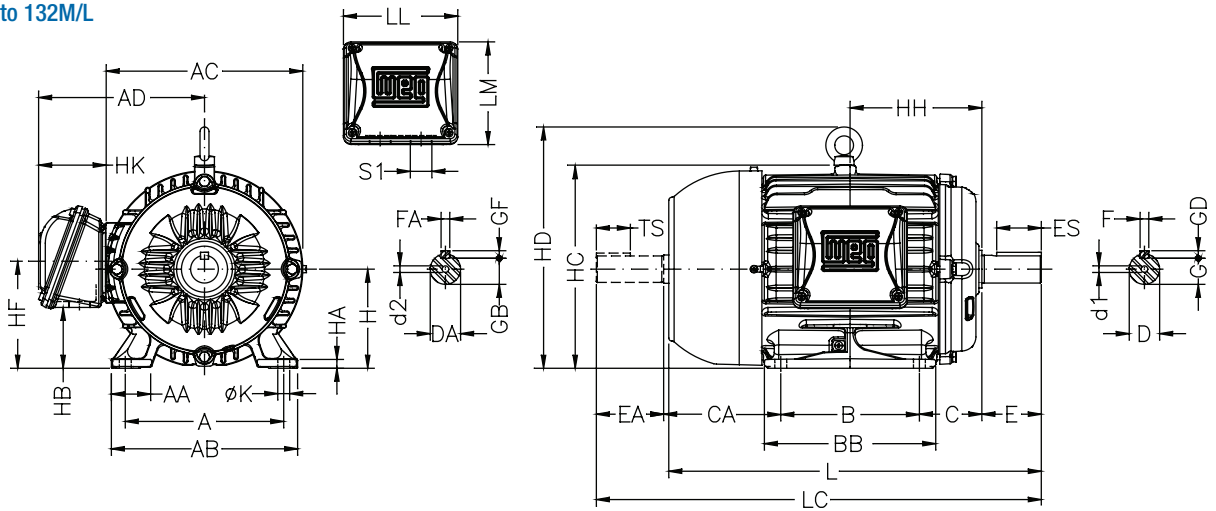
Frame	FA	G	GB	GD	GF	H	HA	HB	HC	HD	HF	HH	HK	K	L	LC	LL	LM	S1	DE	NDE
63	3	8.5	7.2	4	3	63	7	25.5	130	156.3	68.5	80	59	7	216	241	108.5	99	2xM20x1,5	6201 ZZ	6201 ZZ
71	4	11	8.5	5	4	71	7	33	145	163.8	76	90	59	7	250	276	108.5	99	2xM20x1,5	6202 ZZ	6202 ZZ
80	5	15.5	11	6	5	80	8	43.5	163	174.3	87	100	59	10	277	313	108.5	99	2xM20x1,5	6204 ZZ	6203 ZZ
90S	5	20	13	7	5	90	9	45	182	182.4	90	106	67	10	305	350	115	104	2xM25x1,5	6205 ZZ	6204 ZZ
90L	5	20	13	7	5	90	9	45	182	182.4	90	118.5	67	10	329	375	115	104	2xM25x1,5	6205 ZZ	6204 ZZ
L90S	5	20	13	7	5	90	9	45	182	182.4	90	106	67	10			115	104	2xM25x1,5	6205 ZZ	6204 ZZ
L90L	5	20	13	7	5	90	9	45	182	182.4	90	118.5	67	10			115	104	2xM25x1,5	6205 ZZ	6204 ZZ
100L	6	24	18.5	7	6	100	10	61.5	205	244	106.4	133	67	12	376	431	115	104		6206 ZZ	6205 ZZ
L100L	6	24	18.5	7	6	100	10	61.5	205	244	106.4	133	67	12			115	104		6206 ZZ	6205 ZZ
112M	8	24	20	7	7	112	10	54.5	226	280	112	140	80	12	394	448	140	133	2xM32x1,5	6207 ZZ	6206 ZZ
L112M	8	24	20	7	7	112	10	54.5	226	280	112	140	80	12			140	133	2xM32x1,5	6207 ZZ	6206 ZZ
132S	8	33	24	8	7	132	16	75	274	319	132	159	80	12	452	519	140	133	2xM32x1,5	6308 ZZ	6207 ZZ
132M	8	33	24	8	7	132	16	75	274	319	132	178	80	12	489	557	140	133	2xM32x1,5	6308 ZZ	6207 ZZ
132M/L	8	33	24	8	7	132	16	75	274	319	132	190.5	80	12	515	582	140	133	2xM32x1,5	6308 ZZ	6207 ZZ
160M	12	37	37	8	8	160	22	79	331	374	168	213	101	14.5	598	712	198.5	190	2xM40x1,5	6309 C3	6209 C3
160L	12	37	37	8	8	160	22	79	331	374	168	235	101	14.5	642	756	198.5	190	2xM40x1,5	6309 C3	6209 C3
180M	14	42.5	42.5	9	9	180	28	92	366	413	180	241.5	101	14.5	664	782	198.5	190	2xM40x1,5	6311 C3	6211 C3
180L	14	42.5	42.5	9	9	180	28	92	366	413	180	260.5	101	14.5	702	820	198.5	190	2xM40x1,5	6311 C3	6211 C3
200L	14	49	42.5	10	9	200	30	119	407	464	218	285.5	119.5	18.5	767	880	230	220	2xM50x1,5	6312 C3	6212 C3
225S/M	18	53	53	11	11	225	34	254	453	541	421	212	153	18.5	886	1034	269	285	2xM50x1,5	6314 C3	6314 C3
250S/M	18	58	53	11	11	250	43	297	493	583	463	214	153	24	965	1113	269	285	2xM63x1,5	6314 C3	6314 C3
280S/M	18	67.5	58	12	11	280	42	386	580	700	572	266	151	24	1071	1223	314	312	2xM63x1,5	6316 C3	6316 C3
315S/M	18	71	58	14	11	315	48	386	644	768	592	264	176	28	1274	1426	379	382	2xM63x1,5	6319 C3	6316 C3
315L	18	71	58	14	11	315	48	336	644	774	575	284	220	28	1389	1536	404	436	2xM63x1,5	6319 C3	6316 C3
355M/L	22	90	71	16	14	355	50	461	723	898	700	339	220	28	1482	1677	404	436	2xM63x1,5	6322 C3	6319 C3

Dimensions measured in millimeters.

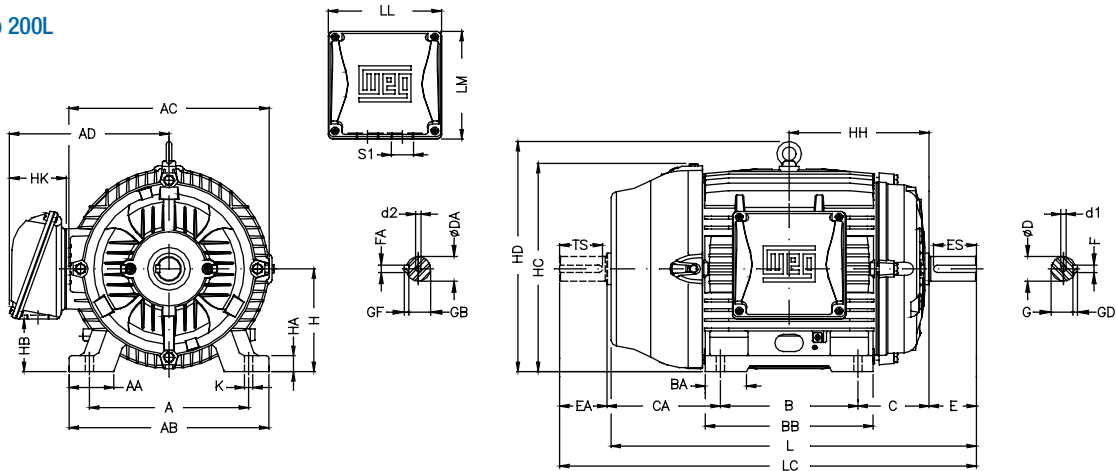
Drawings on next page

## IEC Metric Motors - Cast Iron Frames - *continued*

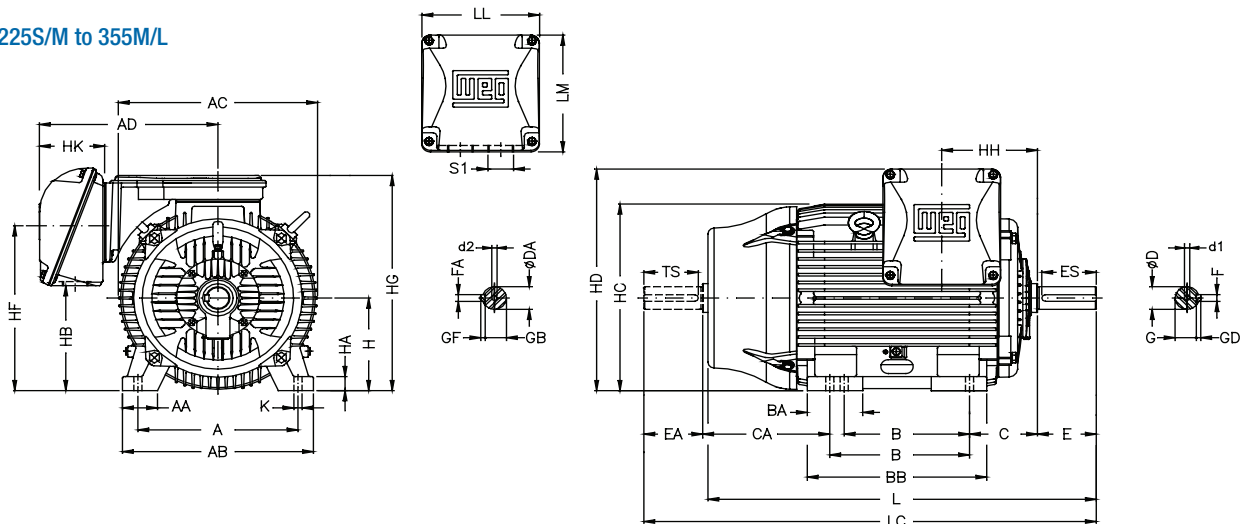
Frames 63 to 132M/L



Frames 160L to 200L



Frames 225S/M to 355M/L

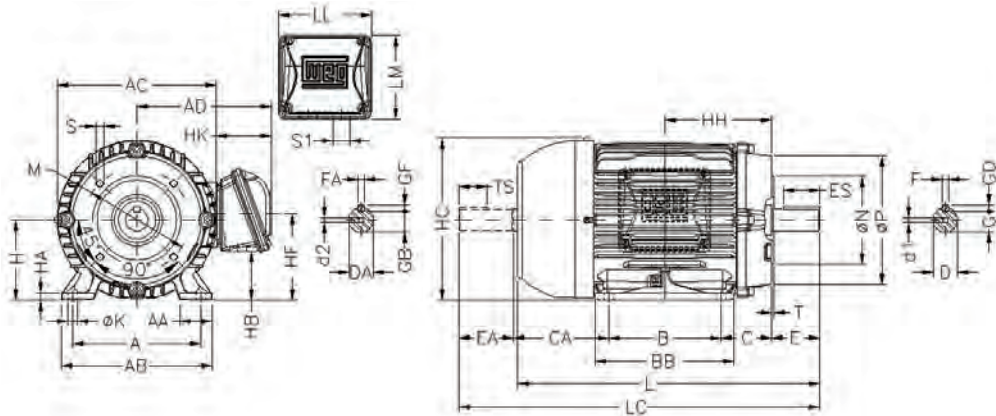


## IEC Metric Motors - Cast Iron Frames - Additional Flange Detail

Frame	Type	Flange	Size	LA	M	N	P	S	T	Angle	Holes
63	C	FC	FC-95	4.5	95.2	76.2	143	UNC 1/4"x20	4	45°	4
63	C	C-90	C-90	9.5	75	60	90	M5	2.5	45°	4
71	C	FC	FC-95	10	95.2	76.2	143	UNC 1/4"x20	4	45°	4
71	C	C-105	C-105	8	85	70	105	M6	2.5	45°	4
80	C	FC	FC-95	10	95.2	76.2	143	UNC 1/4"x20	4	45°	4
80	C	C-120	C-120	10.5	100	80	120	M6	3	45°	4
90S	C	FC	FC-149	15	149.2	114.3	165	UNC 3/8"x16	4	45°	4
90S	C	C-140	C-140	10.5	115	95	140	M8	3	45°	4
90L	C	FC	FC-149	15	149.2	114.3	165	UNC 3/8"x16	4	45°	4
90L	C	C-140	C-140	10.5	115	95	140	M8	3	45°	4
100L	C	FC	FC-149	12	149.2	114.3	165	UNC 3/8"x16	4	45°	4
100L	C	C-160	C-160	12	130	110	160	M8	3.5	45°	4
112M	C	FC	FC-184	13.5	184.2	215.9	225	UNC 1/2"x13	6.3	45°	4
112M	C	C-160	C-160	13.5	130	110	160	M8	3.5	45°	4
L90S	C	FC	FC-149	15	149.2	114.3	165	UNC 3/8"x16	4	45°	4
L90S	C	C-140	C-140	10.5	115	95	140	M8	3	45°	4
L100L	C	FC	FC-149	12	149.2	114.3	165	UNC 3/8"x16	4	45°	4
L100L	C	C-160	C-160	12	130	110	160	M8	3.5	45°	4
L90L	C	FC	FC-149	15	149.2	114.3	165	UNC 3/8"x16	4	45°	4
L90L	C	C-140	C-140	10.5	115	95	140	M8	3	45°	4
132S	C	FC	FC-184	9	184.2	215.9	225	UNC 1/2"x13	6.3	45°	4
132S	C	C-200	C-200	15.5	165	130	200	M10	3.5	45°	4
132M	C	FC	FC-184	9	184.2	215.9	225	UNC 1/2"x13	6.3	45°	4
132M	C	C-200	C-200	15.5	165	130	200	M10	3.5	45°	4
L112M	C	FC	FC-184	13.5	184.2	215.9	225	UNC 1/2"x13	6.3	45°	4
L112M	C	C-160	C-160	13.5	130	110	160	M8	3.5	45°	4
160M	C	FC	FC-184		184.2	215.9	225	UNC 1/2"x13	6.3	45°	4
160M	C	C-250	C-250	19	215	180	249	M12x1,75	6.3	45°	4
132M/L	C	FC	FC-184	9	184.2	215.9	225	UNC 1/2"x13	6.3	45°	4
132M/L	C	C-200	C-200	15.5	165	130	200	M10	3.5	45°	4
160L	C	FC	FC-184		184.2	215.9	225	UNC 1/2"x13	6.3	45°	4
160L	C	C-250	C-250	19	215	180	249	M12x1,75	6.3	45°	4
180M	C	FC	FC-228	13.5	228.6	266.7	280	UNC 1/2"x13	6.3	45°	4
180L	C	FC	FC-228	13.5	228.6	266.7	280	UNC 1/2"x13	6.3	45°	4
200L	C	FC	FC-228	13.5	228.6	266.7	280	UNC 1/2"x13	6.3	45°	4
225S/M	C	FC	FC-279	18.5	279.4	317.5	395	UNC 5/8"x11	6.3	22°30'	8
250S/M	C	FC	FC-355	18.5	355.6	406.4	455	UNC 5/8"x11	6.3	22°30'	8
280S/M	C	FC	FC-355	18.5	355.6	406.4	455	UNC 5/8"x11	6.3	22°30'	8
315S/M	C	FC	FC-368	18.5	368.3	419.1	455	UNC 5/8"x11	6.3	22°30'	8
315L	C	FC	FC-368	18.5	368.3	419.1	455	UNC 5/8"x11	6.3	22°30'	8
355M/L	C	FC	FC-368	33.5	368.3	419.1	455	UNC 5/8"x11	6.3	22°30'	8

Dimensions in mm

FC & C-DIN Flanges

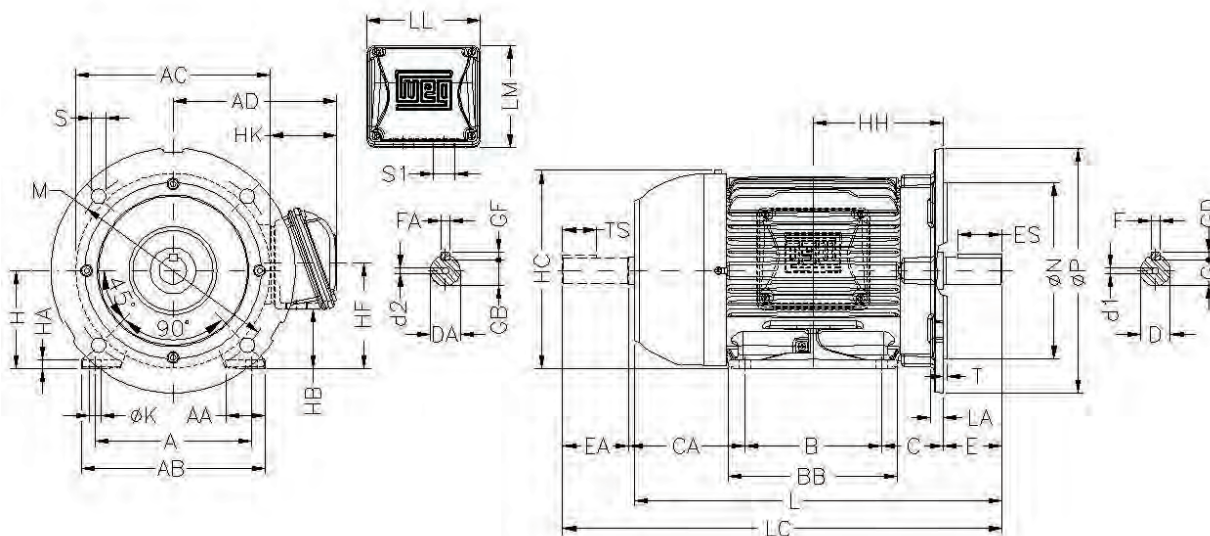




## IEC Metric Motors - Cast Iron Frames - Additional Flange Detail

Frame	Type	Flange	Size	LA	M	N	P	S	T	Angle	Holes
63	F	FF	FF-115	5.5	115	95	140	10	3	45°	4
71	F	FF	FF-130	7	130	110	160	10	3.5	45°	4
80	F	FF	FF-165	9	165	130	200	12	3.5	45°	4
90S	F	FF	FF-165	10	165	130	200	12	3.5	45°	4
90L	F	FF	FF-165	10	165	130	200	12	3.5	45°	4
100L	F	FF	FF-215	12.5	215	180	250	15	4	45°	4
112M	F	FF	FF-215	12.5	215	180	250	15	4	45°	4
L90S	F	FF	FF-165	10	165	130	200	12	3.5	45°	4
L100L	F	FF	FF-215	12.5	215	180	250	15	4	45°	4
L90L	F	FF	FF-165	10	165	130	200	12	3.5	45°	4
132S	F	FF	FF-265	12	265	230	300	15	4	45°	4
132M	F	FF	FF-265	12	265	230	300	15	4	45°	4
L112M	F	FF	FF-215	12.5	215	180	250	15	4	45°	4
160M	F	FF	FF-300	18	300	250	350	19	5	45°	4
132M/L	F	FF	FF-265	12	265	230	300	15	4	45°	4
160L	F	FF	FF-300	18	300	250	350	19	5	45°	4
180M	F	FF	FF-300	18	300	250	350	19	5	45°	4
180L	F	FF	FF-300	18	300	250	350	19	5	45°	4
200L	F	FF	FF-350	18	350	300	400	19	5	45°	4
225S/M	F	FF	FF-400	18	400	350	450	19	5	22°30'	8
250S/M	F	FF	FF-500	18	500	450	550	19	5	22°30'	8
280S/M	F	FF	FF-500	18	500	450	550	19	5	22°30'	8
315S/M	F	FF	FF-600	22	600	550	660	24	6	22°30'	8
315L	F	FF	FF-600	22	600	550	660	24	6	22°30'	8
355M/L	F	FF	FF-740	22	740	680	800	24	6	22°30'	8

Dimensions in mm



Part Number	Page(s)	Price
1311017110	A-125; A-249	\$1,683
1311017111	A-125; A-249	\$1,706
1311017113	A-129; A-131	\$2,005
1311017114	A-129; A-131	\$1,981
1311017115	A-129; A-131	\$1,619
1311017117	A-129; A-131	\$1,663
1311017118	A-129; A-131	\$1,688
1311017119	A-130; A-132	\$1,962
1311017120	A-130; A-132	\$1,985
1311017121	A-129; A-131	\$1,544
1311017122	A-130; A-132	\$1,526
1311017123	A-130; A-132	\$1,601
1311017124	A-129; A-131	\$1,642
1311017125	A-130; A-132	\$1,626
1311017130	A-129; A-131	\$1,886
1311017133	A-129; A-131	\$1,694
1311017138	A-129; A-131	\$1,875
1311017152	A-130; A-132	\$1,879
1311017154	A-135	\$728
1311017155	A-135	\$683
1311017156	A-138	\$668
1311017157	A-138	\$672
1311017159	A-129; A-131	\$1,794
1311017161	A-138	\$728
1311017162	A-138	\$672
1311017163	A-138	\$683
1311017164	A-138	\$668
1311017191	A-130; A-132	\$1,820
1311017192	A-130; A-132	\$1,736
1311017195	A-133	\$1,803
1311017196	A-133	\$1,852
1311087110	A-129; A-131	\$1,683
1311087111	A-129; A-131	\$1,706
1311087113	A-129; A-131	\$2,005
1311087114	A-129; A-131	\$1,981
1311087115	A-129; A-131	\$1,619
1311087117	A-130; A-132	\$1,663
1311087118	A-130; A-132	\$1,688
1311087119	A-130; A-132	\$1,962
1311087120	A-130; A-132	\$1,985
1311087121	A-129; A-131	\$1,544
1311087122	A-130; A-132	\$1,526
1311087123	A-130; A-132	\$1,601
1311087124	A-129; A-131	\$1,642
1311087125	A-130; A-132	\$1,626
1311087130	A-129; A-131	\$1,886
1311087133	A-129; A-131	\$1,694
1311087138	A-129; A-131	\$1,875
1311087152	A-130; A-132	\$1,879
1311087159	A-129; A-131	\$1,794
1312200400	A-255	\$879

Part Number	Page(s)	Price
1313007404	A-256	\$851
1313017152	A-129; A-131	\$1,958
1313017153	A-129; A-131	\$1,976
1313017154	A-129; A-131	\$1,658
1313017156	A-129; A-131	\$1,601
1313017161	A-130; A-132	\$1,581
1313087152	A-129; A-131	\$1,958
1313087153	A-129; A-131	\$1,976
1313087154	A-129; A-131	\$1,658
1313087156	A-129; A-131	\$1,601
1313087161	A-130; A-132	\$1,581
1313171403	A-256	\$837
1321007112	A-129; A-131	\$1,591
1321007113	A-129; A-131	\$1,483
1321007115	A-129; A-131	\$1,439
1321007117	A-130; A-132	\$1,465
1321007119	A-129; A-131	\$1,615
1321007121	A-130; A-132	\$1,421
1321007124	A-130; A-132	\$1,595
1321007125	A-130; A-132	\$1,572
1321007142	A-138	\$599
1321007143	A-138	\$605
1321007144	A-138	\$510
1321007145	A-138	\$516
1321007146	A-138	\$566
1321007147	A-138	\$553
1321007148	A-138	\$642
1321007149	A-138	\$628
1321007158	A-130; A-132	\$1,891
1321087112	A-129; A-131	\$1,591
1321087113	A-129; A-131	\$1,483
1321087115	A-129; A-131	\$1,439
1321087117	A-130; A-132	\$1,465
1321087119	A-129; A-131	\$1,615
1321087121	A-130; A-132	\$1,421
1321087124	A-130; A-132	\$1,595
1321087125	A-130; A-132	\$1,572
1321087158	A-130; A-132	\$1,891
1323007110	A-129; A-131	\$1,460
1323007112	A-129; A-131	\$1,416
1323007114	A-130; A-132	\$1,443
1323087110	A-129; A-131	\$1,460
1323087114	A-130; A-132	\$1,443
.12180S1B48CH-S	A-24	\$222
.12180S1B48-S	A-22; A-150	\$201
.16180S1ASPRB48Z-S	A-23; A-26; A-152; A-155; A-263	\$260
.16180S1ASPRB048Z-S	A-23; A-152; A-169	\$272
.16180S1B48CH-S	A-24; A-263	\$231
.16180S1B48-S	A-22	\$208
.16360S1B48CH-S	A-25; A-154	\$237
.16360S1B48-S	A-23; A-152; A-169	\$216

Part Number	Page(s)	Price
.1809EP3EAL80-W22	A-72; A-270	\$540
.1809EP3WAL80-W22	A-72; A-270	\$540
.1812EP3EAL71-W22	A-75; A-238	\$338
.1818EP3EAL63-W22	A-75; A-238	\$267
.1836EP3EAL63-W22	A-75; A-238	\$280
.2509EP3EAL80-W22	A-75; A-238	\$583
.2509EP3WAL80-W22	A-75; A-238	\$583
.2512EP3EAL71-W22	A-75; A-238	\$363
.25120T3E56C-S	A-55	\$316
.25120T3E56-S	A-47; A-95	\$288
.2518EP3EAL71-W22	A-75; A-238	\$282
.2518ES1BW56C-S	A-20	\$288
.2518ES1BW56-S	A-19	\$267
.2518ES3E56C-S	A-41; A-92	\$270
.2518ES3E56-S	A-26; A-155	\$249
.2518ES3EBMW56CFL-S	A-71; A-269	\$966
.2518ES3EBMW56-S	A-70; A-268	\$928
.2518ES3H56C-S	A-41; A-92	\$270
.25180S1ASPRB48Z-S	A-24; A-153; A-170	\$262
.25180S1ASPRB048Z-S	A-24; A-153; A-170	\$274
.25180S1BRBFBOW56-S	A-168; A-253	\$283
.25180S1BRBFBW56-S	A-168; A-253	\$271
.25180S1BSPRB048Z-S	A-24; A-153; A-170	\$274
.25180T1B48CH-S	A-25; A-154	\$269
.25180T1B48-S	A-23; A-152; A-169	\$241
.25180T1BW56CFL-S	A-144; A-337	\$269
.25180T1BW56C-S	A-25; A-154	\$269
.25180T1BW56-S	A-23; A-152; A-169	\$241
.25180T3E48-S	A-47; A-95	\$235
.25180T3E56CFL-S	A-59	\$263
.25180T3E56C-S	A-55	\$263
.25180T3E56-S	A-50; A-159	\$235
.25180T3H56CFL-S	A-59	\$263
.2536EP3EAL63-W22	A-75; A-238	\$286
.2536ES1BW56C-S	A-20	\$280
.2536ES1BW56-S	A-19	\$257
.2536ES3E56C-S	A-42; A-157	\$258
.2536ES3E56-S	A-26; A-155	\$237
.25360T1B48CH-S	A-25; A-154	\$277
.25360T1B48-S	A-23; A-152; A-169	\$253
.25360T1BW56C-S	A-25; A-154	\$281
.25360T1BW56-S	A-23; A-152; A-169	\$253
.25360T3E56C-S	A-56; A-160	\$259
.25360T3E56-S	A-50; A-159	\$231
.33120T3E56C-S	A-56; A-160	\$361
.33120T3E56-S	A-50; A-159	\$333
.3318EP3ESS56C	A-133	\$550
.3318EP3ESS56CFL	A-134	\$550
.3318ES1BPFC48	A-162; A-294	\$311
.3318ES1BRBPF48	A-162; A-294	\$325
.3318ES1BW56CFL-S	A-21	\$304

Part Number	Page(s)	Price
.3318ES1BW56C-S	A-21; A-150	\$304
.3318ES1BW56-S	A-19; A-149; A-168	\$283
.3318ES1RAD56NZ	A-252	\$423
.3318ES1RFDW56-S	A-19; A-149; A-168	\$284
.3318ES3E56CFL-S	A-45; A-95	\$274
.3318ES3E56C-S	A-42; A-157	\$274
.3318ES3E56-S	A-32; A-156	\$253
.3318ES3EBMW56CFL-S	A-71; A-269	\$1,015
.3318ES3EBMW56-S	A-70; A-268	\$977
.33180S1AEC56	A-171	\$156
.33180S1BRBFBOW56-S	A-171	\$293
.33180S1BRBFBW56-S	A-171	\$281
.33180S1BSPRB48Z-S	A-24; A-153; A-170	\$272
.33180S1BSPRB048Z-S	A-24; A-153; A-170	\$284
.33180S1BSPRBOW56-S	A-24; A-153; A-170	\$288
.33180S1BSPRBW56-S	A-24; A-153; A-170	\$276
.33180T1B48CH-S	A-25; A-154	\$299
.33180T1B48-S	A-23; A-152; A-169	\$275
.33180T1BRBOW56-S	A-24; A-153; A-170	\$325
.33180T1BW56CFL-S	A-25; A-154	\$303
.33180T1BW56C-S	A-25; A-154	\$303
.33180T1BW56-S	A-23; A-152; A-169	\$275
.33180T3E56CFL-S	A-60; A-161	\$284
.33180T3E56C-S	A-56; A-160	\$284
.33180T3E56-S	A-50; A-159	\$256
.33180T3ERB56-S	A-60; A-161	\$314
.33180T3H56CFL-S	A-60; A-161	\$284
.33180T3H56-S	A-50; A-159	\$269
.3318XS1B56	A-107; A-258	\$670
.3318XS1B56C	A-107; A-258	\$816
.3318XS3E56	A-113; A-164	\$713
.3318XS3E56C	A-118	\$877
.3336ES1BJPRW56C-S	A-189	\$282
.3336ES1BJPRW56J-S	A-189	\$296
.3336ES1BJPW56C-S	A-192	\$263
.3336ES1BJPW56J-S	A-192	\$282
.3336ES1BW56CFL-S	A-21	\$288
.3336ES1BW56C-S	A-21; A-150	\$288
.3336ES1BW56-S	A-19; A-149; A-168	\$267
.3336ES3E56CFL-S	A-45; A-95	\$270
.3336ES3E56C-S	A-42; A-157	\$270
.3336ES3E56-S	A-32; A-156	\$249
.3336ES3EJP56J-S	A-193	\$259
.3336ES3EJPR56C-S	A-193	\$257
.3336ES3EJPR56J-S	A-194	\$268
.3336ES3H56CFL-S	A-46; A-158	\$270
.3336ES3H56C-S	A-42; A-157	\$270
.33360S1BJPRW56C-S	A-192	\$237
.33360S1BJPRW56J-S	A-192	\$255
.33360S1BJPW56J-S	A-193	\$254
.33360S3EJP56J-S	A-194	\$224

Part Number	Page(s)	Price
.33360S3EJPR56C-S	A-194	\$220
.33360S3EJPR56J-S	A-195	\$229
.33360T1B48CH-S	A-25; A-154	\$282
.33360T1B48-S	A-23; A-152; A-169	\$256
.33360T1BOW56CFL-S	A-25; A-154	\$302
.33360T1BW56CFL-S	A-26; A-155	\$285
.33360T1BW56C-S	A-25; A-154	\$285
.33360T1BW56-S	A-144; A-337	\$257
.33360T3E56CFL-S	A-60; A-161; A-171	\$270
.33360T3E56C-S	A-56; A-160	\$270
.33360T3E56-S	A-50; A-159	\$242
.3336XS1B56	A-113; A-164	\$612
.3336XS1B56C	A-113; A-164	\$737
.3336XS3E56	A-113; A-164	\$650
.3336XS3E56C	A-118	\$821
.33820S1AEC56	A-171	\$188
.3709EP3EAL90S-W22	A-75; A-238	\$662
.3709EP3WAL90S/L-W22	A-75; A-238	\$662
.3712EP3EAL80-W22	A-75; A-238	\$378
.3718EP3EAL71FF-W22	A-77; A-110; A-240	\$340
.3718EP3EAL71-W22	A-75; A-238	\$290
.3736EP3EAL71-W22	A-75; A-238	\$309
.5012EP3ESS56C	A-133	\$682
.5012EP3ESS56CFL	A-134	\$682
.5012ES1B56CFL-S	A-22; A-150	\$535
.5012ES1B56C-S	A-21; A-150	\$535
.5012ES1B56-S	A-19; A-22; A-149; A-151; A-252	\$512
.5012ES3E56CFL-S	A-155	\$440
.5012ES3E56C-S	A-42; A-157	\$440
.5012ES3E56-S	A-32; A-156	\$417
.5012ES3H56CFL-S	A-157	\$441
.50120T3E56C-S	A-56; A-160	\$377
.50120T3E56-S	A-50; A-159	\$349
.5018EP3ESS56C	A-134	\$575
.5018EP3ESS56CFL	A-135	\$575
.5018ES1BOW56C-S	A-21; A-150	\$348
.5018ES1BPFC56	A-168; A-253	\$336
.5018ES1BRBPFC56	A-168; A-253	\$350
.5018ES1BW56CFL-S	A-22; A-150	\$333
.5018ES1BW56C-S	A-21; A-150	\$333
.5018ES1BW56-S	A-19; A-149; A-168	\$312
.5018ES1RAD56NZ	A-252	\$475
.5018ES1RFDW56-S	A-19; A-149; A-168	\$308
.5018ES3E56CFL-S	A-46; A-158	\$311
.5018ES3E56C-S	A-42; A-157	\$311
.5018ES3E56-S	A-32; A-156	\$287
.5018ES3EBMW56CFL-S	A-72; A-270	\$1,143
.5018ES3EBMW56-S	A-71; A-269	\$1,105
.5018ES3H56CFL-S	A-46; A-158	\$281
.5018ES3H56C-S	A-42; A-157	\$263
.5018ES3H56-S	A-32; A-156	\$288

Part Number	Page(s)	Price
.50180S1AEC56	A-171	\$164
.50180S1BRBFBOW56-S	A-171	\$325
.50180S1BRBFBW56-S	A-171	\$313
.50180S1BSPRB48Z-S	A-24; A-153; A-170	\$299
.50180S1BSPRB048Z-S	A-24; A-153; A-170	\$311
.50180S1BSPRBOW56-S	A-24; A-153; A-170	\$316
.50180S1BSPRBW56-S	A-24; A-153; A-170	\$304
.50180S1DEC56	A-171	\$166
.50180T1B48-S	A-23; A-152; A-169	\$318
.50180T1BOW56C-S	A-25; A-154	\$352
.50180T1BRBOW56-S	A-24; A-153; A-170	\$368
.50180T1BW56CFL-S	A-26; A-155	\$335
.50180T1BW56C-S	A-25; A-154	\$335
.50180T1BW56-S	A-23; A-152; A-169	\$307
.50180T3E56CFL-S	A-60; A-161	\$324
.50180T3E56C-S	A-56; A-160	\$324
.50180T3E56-S	A-50; A-159	\$296
.50180T3ERB56-S	A-60; A-161	\$354
.50180T3H56CFL-S	A-60; A-161	\$324
.50180T3H56-S	A-50; A-159	\$311
.5018XS1B56	A-113; A-164	\$739
.5018XS1B56C	A-113; A-164	\$817
.5018XS3E56	A-115; A-165	\$741
.5018XS3E56C	A-119; A-165	\$926
.5036EP3ESS56C	A-134	\$569
.5036EP3ESS56CFL	A-135	\$569
.5036ES1BJPRW56C-S	A-192	\$299
.5036ES1BJPRW56J-S	A-192	\$305
.5036ES1BJPW56C-S	A-192	\$284
.5036ES1BJPW56J-S	A-192	\$300
.5036ES1BOLW56-S	A-19; A-149; A-168	\$316
.5036ES1BW56CFL-S	A-22; A-150	\$313
.5036ES1BW56C-S	A-21; A-150	\$313
.5036ES1BW56-S	A-19; A-22; A-149; A-151; A-252	\$284
.5036ES1E143JM	A-198	\$668
.5036ES1E143JP	A-199	\$668
.5036ES3E56CFL-S	A-158	\$282
.5036ES3E56C-S	A-152; A-169	\$282
.5036ES3E56-S	A-32; A-156	\$258
.5036ES3EJP56J-S	A-194	\$267
.5036ES3EJPR56C-S	A-194	\$270
.5036ES3EJPR56J-S	A-194	\$282
.5036ES3H56C-S	A-42; A-157	\$281
.50360S1BCDW56-S	A-23; A-152; A-169	\$224
.50360S1BJPRW56C-S	A-193	\$255
.50360S1BJPRW56J-S	A-193	\$258
.50360S1BJPW56J-S	A-193	\$258
.50360S3EJP56J-S	A-195	\$236
.50360S3EJPR56C-S	A-195	\$224
.50360S3EJPR56J-S	A-195	\$241

Part Number	Page(s)	Price
.50360S3HJP56J-S	A-195	\$236
.50360T1B48CH-S	A-25; A-154	\$300
.50360T1B48-S	A-23; A-152; A-169	\$276
.50360T1BOW56CFL-S	A-26; A-155	\$327
.50360T1BW56CFL-S	A-26; A-155	\$310
.50360T1BW56C-S	A-25; A-154	\$310
.50360T1BW56-S	A-23; A-26; A-152; A-155; A-263	\$282
.50360T3E56CFL-S	A-60; A-161; A-171	\$286
.50360T3E56C-S	A-56; A-160	\$286
.50360T3E56-S	A-50; A-159	\$258
.5036XS1B56	A-113; A-164	\$636
.5036XS1B56C	A-113; A-164	\$717
.5036XS3E56	A-115; A-165	\$782
.5036XS3E56C	A-119; A-165	\$856
.50820S1AEC56	A-171	\$199
.50820S1DEC56	A-171	\$220
.5509EP3EAL90L-W22	A-75; A-238	\$696
.5509EP3WAL90S/L-W22	A-75; A-238	\$696
.5512EP3EAL80-W22	A-75; A-238	\$405
.5518EP3EAL80FF-W22	A-77; A-110; A-240	\$383
.5518EP3EAL80-W22	A-75; A-238	\$333
.5536EP3EAL71FF-W22	A-78; A-241	\$366
.5536EP3EAL71-W22	A-75; A-238	\$316
.7509ET3EAL100L-W22	A-75; A-238	\$869
.7512EP3ESS56C	A-134	\$723
.7512EP3ESS56CFL	A-135	\$723
.7512ES1B56CFL-S	A-22; A-150	\$669
.7512ES1B56C-S	A-21; A-150	\$669
.7512ES1B56-S	A-19; A-22; A-149; A-151; A-168	\$648
.7512ES3E56CFL-S	A-46; A-158	\$449
.7512ES3E56C-S	A-42; A-157	\$449
.7512ES3E56-S	A-32; A-156	\$427
.7512ES3H56CFL-S	A-46; A-158	\$448
.7512ET3EAL90S-W22	A-75; A-238	\$537
.7512ET3WAL90S-W22	A-75; A-238	\$537
.75120T3E56C-S	A-56; A-160	\$412
.75120T3E56-S	A-50; A-159	\$384
.7518EP3ESS56C	A-134	\$616
.7518EP3ESS56CFL	A-135	\$616
.7518ES1B56CFL-S	A-22; A-150	\$370
.7518ES1B56C-S	A-21; A-150	\$370
.7518ES1B56-S	A-19; A-149; A-168	\$348
.7518ES1BPF56	A-168; A-253	\$414
.7518ES1BRBPF56	A-168; A-253	\$433
.7518ES1RAD56NZ	A-253	\$553
.7518ES1RFD56-S	A-19; A-149; A-168	\$357
.7518ES3E56CFL-S	A-46; A-158	\$332
.7518ES3E56C-S	A-42; A-157	\$332
.7518ES3E56-S	A-32; A-156	\$311
.7518ES3EBMW56CFL-S	A-72; A-270	\$1,339
.7518ES3EBMW56-S	A-71; A-269	\$1,301

Part Number	Page(s)	Price
.7518ES3H56CFL-S	A-46; A-158	\$333
.7518ES3H56C-S	A-42; A-157	\$333
.7518ET3EAL90S/LFF-W	A-78; A-241	\$479
.7518ET3EAL90S/L-W22	A-75; A-238	\$420
.7518ET3WAL90S/LFF-W	A-78; A-241	\$479
.7518ET3WAL90S/L-W22	A-75; A-238	\$420
.75180S1AEC56	A-171	\$201
.75180S1BRBFBOW56-S	A-171	\$379
.75180S1BRBFBW56-S	A-171	\$367
.75180S1DEC56	A-171	\$201
.75180T1B56CFL-S	A-26; A-155	\$415
.75180T1B56C-S	A-25; A-154	\$415
.75180T1B56-S	A-23; A-152; A-169	\$387
.75180T1BRBO56-S	A-24; A-153; A-170	\$434
.75180T3E56CFL-S	A-60; A-161	\$358
.75180T3E56C-S	A-56; A-160	\$358
.75180T3E56-S	A-50; A-159	\$330
.75180T3ERB56-S	A-60; A-161	\$388
.75180T3H56CFL-S	A-60; A-161	\$358
.75180T3H56C-S	A-56; A-160	\$358
.75180T3H56-S	A-50; A-159	\$347
.7518XS1B56	A-113; A-164	\$868
.7518XS1B56C	A-113; A-164	\$912
.7518XS3E56	A-115; A-165	\$817
.7518XS3E56C	A-119; A-165	\$944
.7536AS1RAF56Z-S	A-253	\$395
.7536AS3EAF56Z-S	A-253	\$402
.7536EP3ESS56C	A-134	\$590
.7536EP3ESS56CFL	A-135	\$590
.7536ES1B56CFL-S	A-22; A-150	\$353
.7536ES1B56C-S	A-21; A-150	\$353
.7536ES1B56-S	A-19; A-149; A-168	\$297
.7536ES1BJP56C-S	A-192	\$320
.7536ES1BJP56J-S	A-192	\$330
.7536ES1BJPR56C-S	A-192	\$341
.7536ES1BJPR56J-S	A-192	\$336
.7536ES1BOL56-S	A-19; A-22; A-149; A-151; A-252	\$329
.7536ES3E56CFL-S	A-46; A-158	\$311
.7536ES3E56C-S	A-42; A-157	\$311
.7536ES3E56-S	A-32; A-156	\$287
.7536ES3EJP56J-S	A-194	\$301
.7536ES3EJPR56C-S	A-194	\$293
.7536ES3EJPR56J-S	A-194	\$319
.7536ES3H56CFL-S	A-46; A-158	\$310
.7536ES3H56C-S	A-42; A-157	\$310
.7536ES3H56-S	A-32; A-156	\$288
.7536ES3HJP56J-S	A-194	\$301
.7536ET3WAL80-W22	A-75; A-238	\$397
.75360S1BCDW56-S	A-23; A-152; A-169	\$237
.75360S1BJPRW56C-S	A-193	\$297
.75360S1BJPRW56J-S	A-193	\$296

Part Number	Page(s)	Price
.75360S1BJPW56J-S	A-193	\$296
.75360S3EJP56J-S	A-195	\$271
.75360S3EJPR56C-S	A-195	\$257
.75360S3EJPR56J-S	A-195	\$278
.75360S3HJP56J-S	A-195	\$271
.75360S3HJPR56C-S	A-195	\$257
.75360S3HJPR56J-S	A-195	\$277
.75360T1B56CFL-S	A-26; A-155	\$348
.75360T1B56C-S	A-25; A-154	\$348
.75360T1B56-S	A-23; A-152; A-169	\$320
.75360T1B056CFL-S	A-26; A-155	\$365
.75360T3E56CFL-S	A-60; A-161; A-171	\$333
.75360T3E56C-S	A-56; A-160	\$333
.75360T3E56-S	A-50; A-159	\$305
.7536XS1B56	A-113; A-164	\$717
.7536XS1B56C	A-113; A-164	\$773
.7536XS3E56	A-115; A-165	\$815
.7536XS3E56C	A-119; A-165	\$884
.75820S1AEC56	A-171	\$251
.75820S1DEC56	A-171	\$267
00109ET3E182T-W22	A-32; A-156	\$1,043
00109ET3EBM182T-W22	A-67; A-102	\$2,594
00109ET3H182T-W22	A-32; A-156	\$1,043
00109ST3QIE182T-W22	A-60; A-161	\$2,006
00109XT3E182T	A-115; A-165	\$1,974
00112ET3E145JM-S	A-200	\$700
00112ET3E145JM-W22	A-200	\$700
00112ET3E145JP-S	A-205	\$714
00112ET3E145JP-W22	A-205	\$714
00112ET3E145TC-S	A-42; A-157	\$554
00112ET3E145TC-W22	A-42; A-157	\$636
00112ET3E145T-S	A-32; A-86	\$529
00112ET3E145T-SG	A-171	\$669
00112ET3E145T-W22	A-32; A-86	\$608
00112ET3E56CFL-S	A-46; A-158	\$528
00112ET3E56C-S	A-42	\$525
00112ET3E56-S	A-32	\$497
00112ET3EAL100L-W22	A-75; A-238	\$746
00112ET3EBM145T-W22	A-67; A-102	\$1,587
00112ET3ECT145TF1-W2	A-178	\$728
00112ET3ECT145T-W22	A-178	\$728
00112ET3ER145TC-S	A-46; A-158	\$554
00112ET3ER145TC-W22	A-46; A-158	\$655
00112ET3H145T-S	A-32; A-86	\$529
00112ET3H145T-SG	A-171	\$669
00112ET3H145T-W22	A-32; A-156	\$608
00112ET3H56CFL-S	A-46	\$528
00112ET3PCT145TF1-W2	A-180	\$728
00112ET3PCT145T-W22	A-180	\$728
001120T3E145JM-S	A-210	\$550
001120T3E145JMV-S	A-213	\$605

Part Number	Page(s)	Price
001120T3E145JP-S	A-214	\$550
001120T3E145T-S	A-50; A-159	\$446
001120T3E145T-SG	A-175	\$586
001120T3E56C-S	A-56; A-160	\$486
001120T3E56-S	A-50; A-159	\$458
001120T3H145T-S	A-50	\$446
001120T3H145T-SG	A-175	\$586
00112ST3HIE145T-W22	A-60; A-161	\$1,062
00112ST3QIE145TC-W22	A-65; A-100	\$1,112
00112ST3QIE145T-W22	A-62; A-97	\$1,062
00112XT3E145T	A-115; A-165	\$988
00112XT3E145TC	A-119; A-165	\$1,107
00112XT3H145T	A-115	\$988
00118AT3PCT143T-W22	A-182	\$666
00118EG3E143T-W22	A-78; A-241	\$580
00118ES1B56CFL-S	A-22; A-150	\$424
00118ES1B56C-S	A-21; A-150	\$424
00118ES1B56-S	A-19; A-149; A-168	\$401
00118ES1B056C-S	A-21; A-150	\$439
00118ES1BPF56	A-168; A-253	\$449
00118ES1BRBPF56	A-168; A-253	\$469
00118ES1E143JM	A-198	\$687
00118ES1E143JP	A-199	\$687
00118ES1E143T-S	A-19; A-22; A-149; A-151; A-168	\$531
00118ES1ER143TC-S	A-22; A-150	\$559
00118ES1RAD56N	A-253	\$683
00118ES1RFD143T-S	A-19; A-149; A-168	\$400
00118ES1RFD56-S	A-19	\$394
00118ET3E143HP-W22	A-231	\$619
00118ET3E143JM-S	A-202	\$613
00118ET3E143JM-SG	A-219	\$764
00118ET3E143JM-W22	A-202	\$613
00118ET3E143JP-S	A-206	\$624
00118ET3E143JP-SG	A-220	\$764
00118ET3E143JP-W22	A-206	\$624
00118ET3E143TC-S	A-42; A-93	\$484
00118ET3E143TC-W22	A-42; A-157	\$555
00118ET3E143T-S	A-32	\$459
00118ET3E143T-SG	A-172	\$599
00118ET3E143T-W22	A-32; A-86	\$527
00118ET3E56CFL-S	A-46; A-95	\$407
00118ET3E56C-S	A-42	\$407
00118ET3E56-S	A-32	\$379
00118ET3EAL90S-W22	A-75; A-238	\$470
00118ET3EBM143TC-S	A-72; A-270	\$1,767
00118ET3EBM143T-S	A-71; A-269	\$1,729
00118ET3EBM143T-W22	A-69; A-267	\$1,494
00118ET3EBM56CFL-S	A-72; A-270	\$1,542
00118ET3EBM56C-S	A-72; A-270	\$1,542
00118ET3EBM56-S	A-71; A-269	\$1,504



Part Number	Page(s)	Price
00118ET3EBMR143TC-S	A-72; A-270	\$1,767
00118ET3ECT143TF1-W2	A-180	\$647
00118ET3ECT143T-W22	A-180	\$647
00118ET3EPM143/5Y-W2	A-187	\$594
00118ET3ER143TC-S	A-46; A-158	\$484
00118ET3ER143TC-W22	A-46; A-158	\$572
00118ET3ESS143TC	A-134	\$857
00118ET3ESS143TCFL	A-135	\$857
00118ET3ESS56C	A-134	\$723
00118ET3ESS56CFL	A-135	\$723
00118ET3H143JM-S	A-202	\$613
00118ET3H143JM-SG	A-219	\$764
00118ET3H143JM-W22	A-202	\$613
00118ET3H143TC-S	A-42; A-93	\$484
00118ET3H143TC-W22	A-42; A-157	\$555
00118ET3H143T-S	A-32; A-86	\$459
00118ET3H143T-SG	A-172	\$599
00118ET3H143T-W22	A-32; A-156	\$527
00118ET3H56CFL-S	A-46	\$407
00118ET3H56C-S	A-42	\$407
00118ET3H56-S	A-32	\$379
00118ET3HBM143T-W22	A-69; A-267	\$1,494
00118ET3PCT143T-W22	A-180	\$647
00118ET3V143JM-S	A-202	\$613
00118ET3V143T-SG	A-172	\$599
00118ET3WAL90S-W22	A-75; A-238	\$470
00118NT3ESS143TC	A-134	\$889
00118NT3ESS143TCFL	A-135	\$889
00118NT3ESS56C	A-134	\$735
00118NT3ESS56CFL	A-135	\$735
00118NT3FVD143TC-W22	A-106	\$697
00118OS1BRBFBOW56-S	A-171	\$408
00118OS1BRBFBW56-S	A-171	\$396
00118OT1B56CFL-S	A-26; A-155	\$449
00118OT1B56C-S	A-25; A-154	\$449
00118OT1B56-S	A-23; A-26; A-152; A-155; A-263	\$421
00118OT1B056-S	A-23; A-152; A-169	\$438
00118OT1BRB056-S	A-24; A-153; A-170	\$468
00118OT3E143JM-S	A-210	\$486
00118OT3E143JM-SG	A-221	\$626
00118OT3E143JMV-S	A-213	\$541
00118OT3E143JP-S	A-214	\$486
00118OT3E143JP-SG	A-222	\$626
00118OT3E143TC-S	A-56; A-160	\$424
00118OT3E143TC-SG	A-176	\$564
00118OT3E143T-S	A-50; A-159	\$390
00118OT3E143T-SG*	A-176	\$530
00118OT3E56CFL-S	A-60; A-161	\$378
00118OT3E56C-S	A-56; A-160	\$378
00118OT3E56-S	A-50	\$350

Part Number	Page(s)	Price
00118OT3ECD143T-S	A-261	\$398
00118OT3ERB56-S	A-60; A-161	\$408
00118OT3H143JM-S	A-211	\$486
00118OT3H143JM-SG	A-221	\$626
00118OT3H143TC-S	A-56	\$424
00118OT3H143T-S	A-50; A-264	\$390
00118OT3H143T-SG	A-176	\$530
00118OT3H56CFL-S	A-60; A-161	\$378
00118OT3P143TC-S	A-56; A-160	\$424
00118OT3P143T-S	A-50; A-159	\$390
00118OT3V143JM-S	A-211	\$486
00118OT3V143T-SG	A-176	\$530
00118ST3HIE143T-W22	A-62; A-97	\$922
00118ST3QIE143TC-W22	A-65; A-100	\$972
00118ST3QIE143T-W22	A-62; A-97	\$922
00118ST3QIER143TC-W2	A-66; A-101	\$1,000
00118XS1B56	A-113; A-164	\$988
00118XS1B56C	A-113; A-164	\$1,036
00118XT3E143T	A-115	\$901
00118XT3E143TC	A-119; A-165	\$1,054
00118XT3E56	A-115	\$922
00118XT3E56C	A-119	\$1,007
00118XT3ER143TC	A-119	\$1,072
00118XT3H143T	A-115	\$901
00136AS1RAF56Z-S	A-254	\$459
00136AS3EAF56Z-S	A-254	\$435
00136EG3E143T-W22	A-78; A-241	\$569
00136ES1B143T-S	A-19; A-22; A-252	\$553
00136ES1B56CFL-S	A-22; A-150	\$378
00136ES1B56C-S	A-21; A-150	\$378
00136ES1B56-S	A-19; A-22; A-149; A-151; A-252	\$376
00136ES1BJP56C-S	A-192	\$344
00136ES1BJP56J-S	A-192	\$374
00136ES1BJPR56C-S	A-192	\$357
00136ES1BJPR56J-S	A-192	\$386
00136ES1BOL56-S	A-19	\$408
00136ES1E143JM	A-199	\$682
00136ET3E143TC-W22	A-42; A-93	\$566
00136ET3E143T-S	A-32; A-86	\$420
00136ET3E143T-SG	A-172	\$560
00136ET3E143T-W22	A-32; A-156	\$538
00136ET3EAL80-W22	A-75; A-238	\$444
00136ET3EJPRW56C-S	A-194	\$425
00136ET3EJPRW56J-S	A-194	\$429
00136ET3EJPW56J-S	A-194	\$434
00136ET3EPM143/5Y-W2	A-187	\$565
00136ET3ER143TC-W22	A-46; A-95	\$577
00136ET3ESS56C	A-134	\$701
00136ET3ESS56CFL	A-135	\$701
00136ET3EW56CFL-S	A-46; A-158	\$420
00136ET3EW56C-S	A-42; A-157	\$420

Part Number	Page(s)	Price
00136ET3EW56-S	A-32	\$392
00136ET3H143T-S	A-32; A-86	\$420
00136ET3H143T-SG	A-172	\$560
00136ET3H143T-W22	A-32; A-156	\$538
00136ET3HJPW56J-S	A-194	\$434
00136ET3HW56C-S	A-42; A-93	\$420
00136ET3HW56-S	A-32	\$392
00136ET3WAL80-W22	A-75; A-238	\$444
00136NT3ESS56C	A-134	\$713
00136NT3ESS56CFL	A-135	\$713
00136S1BCD56-S	A-23; A-152; A-169	\$278
00136S1BJP56J-S	A-193	\$334
00136S1BJPR56C-S	A-193	\$317
00136S1BJPR56J-S	A-193	\$334
00136S3EJP56J-S	A-195	\$286
00136S3EJPR56C-S	A-195	\$274
00136S3EJPR56J-S	A-195	\$287
00136S3HJP56J-S	A-195	\$286
00136T1B56CFL-S	A-26; A-155	\$375
00136T1B56C-S	A-25; A-154	\$375
00136T1B56-S	A-23; A-26; A-152; A-155; A-169	\$347
00136T1B056CFL-S	A-26; A-155	\$392
00136T3E143T-S	A-50	\$385
00136T3E56CFL-S	A-60; A-161; A-171	\$383
00136T3E56C-S	A-56	\$383
00136T3E56-S	A-50; A-264	\$355
00136XS1B56	A-113; A-164	\$774
00136XS1B56C	A-113; A-164	\$814
00136XT3E143T	A-115; A-165	\$886
00136XT3E56	A-115	\$858
00136XT3E56C	A-119	\$924
00152ES1E182T	A-19; A-149; A-168	\$1,100
00152ET3E182JM-S	A-202	\$909
00152ET3E182JM-W22	A-202	\$909
00152ET3E182JP-S	A-206	\$924
00152ET3E182JP-W22	A-206	\$924
00152ET3E182TC-S	A-42; A-157	\$690
00152ET3E182TC-W22	A-42; A-157	\$792
00152ET3E182T-S	A-32; A-86	\$656
00152ET3E182T-SG	A-172	\$826
00152ET3E182T-W22	A-32; A-156	\$754
00152ET3EAL112M-W22	A-75; A-238	\$923
00152ET3EBM182T-W22	A-69; A-267	\$2,264
00152ET3ECT182T-W22	A-180	\$903
00152ET3EPM182/4Y-W2	A-189	\$820
00152ET3ER182TC-S	A-46; A-95	\$690
00152ET3ER182TC-W22	A-46; A-158	\$816
00152ET3H182T-S	A-33	\$656
00152ET3H182T-SG	A-172	\$826
00152ET3H182T-W22	A-33; A-86	\$754
00152ET3PCT182T-W22	A-180	\$903

Part Number	Page(s)	Price
00152ET3WAL100LFF-W2	A-78; A-241	\$882
00152ET3WAL112M-W22	A-75; A-238	\$923
001520T3E182JM-S	A-211	\$769
001520T3E182JMV-S	A-214	\$827
001520T3E182JP-S	A-215	\$729
001520T3E182T-S	A-50	\$588
001520T3E182T-SG	A-176	\$758
00152ST3HIE182T-W22	A-62; A-97	\$1,286
00152ST3QIE182TC-W22	A-66; A-101	\$1,351
00152ST3QIE182T-W22	A-62; A-97	\$1,286
00152XT3E182T	A-115	\$1,105
00152XT3E182TC	A-119; A-165	\$1,270
00152XT3H182T	A-115; A-165	\$1,105
00156AP3EAF143TZ-S	A-254	\$498
00156AS1RAF143TZ-S	A-254	\$643
00156AS1RAF56Z-S	A-254	\$601
00156EG3E143T-W22	A-80	\$597
00156ES1B143T-S	A-19; A-22; A-149; A-151; A-168	\$602
00156ES1B56CFL-S	A-22	\$454
00156ES1B56C-S	A-21; A-150	\$454
00156ES1B56-S	A-19	\$432
00156ES1BJP56C-S	A-192	\$412
00156ES1BJP56J-S	A-192	\$425
00156ES1BJPR56C-S	A-192	\$432
00156ES1BJPR56J-S	A-192	\$438
00156ES1BOL56-S	A-19	\$463
00156ES1E143JM	A-199	\$729
00156ES1E143JP	A-200	\$729
00156ET3E143HP-W22	A-231	\$573
00156ET3E143JM-S	A-202	\$710
00156ET3E143JM-SG	A-220	\$850
00156ET3E143JM-W22	A-202	\$710
00156ET3E143JP-S	A-206	\$649
00156ET3E143JP-SG	A-220	\$850
00156ET3E143JP-W22	A-206	\$649
00156ET3E143TC-S	A-42	\$497
00156ET3E143TC-W22	A-42; A-93	\$571
00156ET3E143T-S	A-33	\$473
00156ET3E143T-SG	A-172	\$613
00156ET3E143T-W22	A-33; A-86	\$543
00156ET3E56CFL-S	A-46	\$461
00156ET3E56C-S	A-42	\$461
00156ET3E56-S	A-33	\$433
00156ET3EAL90S-W22	A-75; A-238	\$504
00156ET3EBM143T-W22	A-69; A-267	\$1,501
00156ET3EJP56J-S	A-194	\$473
00156ET3EJPR56C-S	A-194	\$455
00156ET3EJPR56J-S	A-194	\$468
00156ET3EPM143/5Y-W2	A-189	\$613
00156ET3ER143TC-S	A-46; A-95	\$497
00156ET3ER143TC-W22	A-46; A-158	\$588



Part Number	Page(s)	Price
00156ET3ESS143TCFL	A-135	\$858
00156ET3ESS56C	A-134	\$825
00156ET3ESS56CFL	A-135	\$825
00156ET3H143JM-SG	A-220	\$850
00156ET3H143TC-W22	A-42; A-93	\$571
00156ET3H143T-S	A-33; A-86	\$473
00156ET3H143T-SG	A-172	\$613
00156ET3H143T-W22	A-33; A-156	\$543
00156ET3H56C-S	A-42; A-157	\$461
00156ET3HJP56J-S	A-194	\$473
00156ET3HJPR56J-S	A-194	\$468
00156ET3WAL90S-W22	A-75; A-238	\$504
001560S1BCD56-S	A-23; A-26; A-152; A-155; A-263	\$311
001560S1BJP56J-S	A-193	\$382
001560S1BJPR56C-S	A-193	\$338
001560S1BJPR56J-S	A-193	\$382
001560S3EJP56J-S	A-195	\$296
001560S3EJPR56C-S	A-195	\$290
001560S3EJPR56J-S	A-195	\$305
001560S3HJP56J-S	A-195	\$296
001560S3HJPR56C-S	A-195	\$290
001560T1B56CFL-S	A-26; A-155	\$421
001560T1B56C-S	A-25; A-154	\$421
001560T1B56-S	A-23; A-152; A-169	\$393
001560T1B056CFL-S	A-26; A-155	\$438
001560T1BRB056-S	A-24; A-153; A-170	\$450
001560T3E143JM-S	A-211	\$534
001560T3E143JM-SG	A-222	\$674
001560T3E143JMV-S	A-214	\$589
001560T3E143JP-S	A-215	\$534
001560T3E143JP-SG	A-222	\$674
001560T3E143JPV-S	A-217	\$589
001560T3E143TC-S	A-56	\$476
001560T3E143T-S	A-50; A-159	\$442
001560T3E143T-SG	A-176	\$582
001560T3E56CFL-S	A-60; A-161	\$408
001560T3E56C-S	A-56; A-160	\$408
001560T3E56-S	A-50	\$380
001560T3H143JM-SG	A-222	\$674
001560T3H143TC-S	A-56	\$476
001560T3H143T-S	A-50; A-264	\$442
001560T3V143JM-S	A-211	\$534
001560T3V143JP-S	A-215	\$534
00156ST3HIE143T-W22	A-62; A-97	\$981
00156ST3QIE143TC-W22	A-66; A-101	\$1,031
00156ST3QIE143T-W22	A-62; A-97	\$981
00156XS1C56	A-113; A-164	\$1,121
00156XS1C56C	A-113; A-164	\$1,274
00156XT3E143T	A-115	\$916
00156XT3E143TC	A-119; A-165	\$1,069
00156XT3E56	A-115	\$1,050

Part Number	Page(s)	Price
00156XT3E56C	A-119	\$1,038
00156XT3H143T	A-115	\$916
00158AT3PCT145T-W22	A-182	\$696
00158EG3EL145T-W22	A-80	\$606
00158ES1B145T-S	A-19; A-149; A-168	\$612
00158ES1B56CFL-S	A-22; A-150	\$478
00158ES1B56C-S	A-21; A-150	\$478
00158ES1B56-S	A-19; A-22; A-149; A-151; A-168	\$456
00158ES1B056C-S	A-21; A-150	\$493
00158ES1E145JM	A-199	\$754
00158ES1E145JP	A-200	\$754
00158ES1E145T-S	A-19	\$611
00158ES1RAD56N	A-253	\$1,014
00158ES1RFD145T-S	A-19; A-149; A-168	\$504
00158ES1RFD56H-S	A-19	\$502
00158ET3E145HP-W22	A-233	\$663
00158ET3E145JM-S	A-202	\$643
00158ET3E145JM-SG	A-220	\$793
00158ET3E145JM-W22	A-202	\$643
00158ET3E145JP-S	A-206	\$653
00158ET3E145JP-SG	A-221	\$793
00158ET3E145JP-W22	A-206	\$653
00158ET3E145TC-S	A-42; A-93	\$504
00158ET3E145TC-W22	A-42; A-157	\$579
00158ET3E145T-S	A-33	\$480
00158ET3E145T-SG	A-172	\$620
00158ET3E145T-W22	A-33; A-86	\$551
00158ET3E56CFL-S	A-46	\$463
00158ET3E56C-S	A-42	\$463
00158ET3E56-S	A-33	\$435
00158ET3EAL90LFF-W22	A-78; A-241	\$583
00158ET3EAL90L-W22	A-75; A-238	\$524
00158ET3EBM145TC-S	A-72; A-270	\$1,904
00158ET3EBM145T-S	A-71; A-269	\$1,866
00158ET3EBM145T-W22	A-69; A-267	\$1,569
00158ET3EBMR145TC-S	A-72; A-270	\$1,904
00158ET3ECT145TF1-W2	A-180	\$676
00158ET3ECT145T-W22	A-180	\$676
00158ET3EPM143/5Y-W2	A-189	\$617
00158ET3ER145TC-S	A-46; A-95	\$504
00158ET3ER145TC-W22	A-46; A-158	\$596
00158ET3ESS145TC	A-134	\$872
00158ET3ESS145TCFL	A-135	\$872
00158ET3ESS56C	A-134	\$846
00158ET3ESS56CFL	A-135	\$846
00158ET3H145JM-S	A-202	\$643
00158ET3H145JM-SG	A-220	\$793
00158ET3H145JM-W22	A-202	\$643
00158ET3H145TC-S	A-42; A-93	\$504

Part Number	Page(s)	Price
00158ET3H145TC-W22	A-42; A-157	\$579
00158ET3H145T-S	A-33; A-86	\$480
00158ET3H145T-SG	A-172	\$620
00158ET3H145T-W22	A-33; A-156	\$551
00158ET3H56C-S	A-42	\$463
00158ET3PCT145TF1-W2	A-180	\$676
00158ET3PCT145T-W22	A-180	\$676
00158ET3V145JM-S	A-202	\$643
00158ET3V145T-SG	A-172	\$620
00158ET3WAL90LFF-W22	A-78; A-241	\$583
00158ET3WAL90L-W22	A-75; A-238	\$524
00152ET3WAL100L-W22	A-75; A-238	\$812
00158NT3FVD145TC-W22	A-106	\$705
001580T1B56CFL-S	A-26; A-155	\$551
001580T1B56C-S	A-25; A-154	\$551
001580T1B56-S	A-23; A-26; A-152; A-155; A-263	\$523
001580T1B056-S	A-23; A-152; A-169	\$541
001580T1BRB056-S	A-24; A-153; A-170	\$570
001580T3E145JM-S	A-211	\$553
001580T3E145JM-SG	A-222	\$693
001580T3E145JMV-S	A-214	\$608
001580T3E145JP-S	A-215	\$553
001580T3E145JP-SG	A-223	\$693
001580T3E145TC-S	A-56; A-160	\$483
001580T3E145TC-SG	A-176	\$623
001580T3E145T-S	A-50; A-159	\$449
001580T3E145T-SG	A-176	\$589
001580T3E56CFL-S	A-60; A-161	\$389
001580T3E56C-S	A-56	\$389
001580T3E56-S	A-50	\$361
001580T3ECD145T-S	A-261	\$458
001580T3ERB56-S	A-60; A-161	\$419
001580T3H145JM-S	A-211	\$553
001580T3H145JM-SG	A-222	\$693
001580T3H145TC-S	A-56	\$483
001580T3H145T-S	A-50; A-264	\$449
001580T3H145T-SG	A-176	\$589
001580T3H56CFL-S	A-60; A-161	\$389
001580T3P145TC-S	A-56; A-160	\$483
001580T3P145T-S	A-50; A-159	\$449
001580T3V145JM-S	A-211	\$553
001580T3V145TC-SG	A-176	\$623
001580T3V145T-SG	A-176	\$589
00158ST3HIE145T-W22	A-62; A-97	\$981
00158ST3QIE145TC-W22	A-66; A-101	\$1,031
00158ST3QIE145T-W22	A-62; A-97	\$981
00158ST3QIER145TC-W2	A-66; A-101	\$1,061
00158XS1C56H	A-113; A-164	\$1,324
00158XS1C56HC	A-113; A-164	\$1,420
00158XT3E145T	A-115; A-165	\$963
00158XT3E145TC	A-119	\$1,116
00158XT3E56H	A-115	\$1,003

Part Number	Page(s)	Price
00158XT3E56HC	A-119; A-165	\$1,011
00158XT3ER145TC	A-119	\$1,135
00158XT3H145T	A-115	\$963
00158XT3H145TC	A-119	\$1,024
00159ET3E184T-W22	A-33	\$1,207
00159ET3EBM184T-W22	A-69; A-267	\$2,703
00159ET3H184T-W22	A-33; A-86	\$1,207
00159ET3YAL112M-W22	A-75; A-238	\$1,001
00159ST3QIE184TC-W22	A-66; A-101	\$2,081
00159ST3QIE184T-W22	A-62; A-97	\$2,016
00159XT3E184T	A-115; A-165	\$1,901
001820S1AEC56	A-171	\$364
001820S1DEC56	A-171	\$389
00209ET3E213T-W22	A-33; A-86	\$1,848
00209ET3EBM213T-W22	A-69; A-267	\$3,345
00209ET3H213T-W22	A-33; A-86	\$1,848
00209ET3YAL132S-W22	A-75; A-238	\$1,412
00209ST3QIE213TC-W22	A-66; A-101	\$2,781
00209ST3QIE213T-W22	A-62; A-97	\$2,701
00209XT3E213T	A-115	\$2,439
00212AT3ECT184TF1-W2	A-183	\$1,010
00212AT3ECT184T-W22	A-183	\$1,010
00212AT3HCT184TF1-W2	A-183	\$1,010
00212AT3HCT184T-W22	A-183	\$1,010
00212AT3PCT184TF1-W2	A-183	\$1,010
00212AT3PCT184T-W22	A-183	\$1,010
00212ES1E213T	A-19; A-22; A-252	\$1,209
00212ET3E184JM-S	A-202	\$1,021
00212ET3E184JM-W22	A-202	\$1,021
00212ET3E184JP-S	A-206	\$1,040
00212ET3E184JP-W22	A-206	\$1,040
00212ET3E184TC-S	A-42; A-93	\$747
00212ET3E184TC-W22	A-42; A-157	\$857
00212ET3E184T-S	A-33; A-86	\$713
00212ET3E184T-SG	A-172	\$883
00212ET3E184T-W22	A-33; A-86	\$819
00212ET3EAL132S-W22	A-75; A-238	\$1,166
00212ET3EBM184T-W22	A-69; A-267	\$2,369
00212ET3ECT184T-W22	A-180	\$981
00212ET3ER184TC-S	A-46	\$747
00212ET3ER184TC-W22	A-46; A-95	\$883
00212ET3H184T-S	A-33	\$713
00212ET3H184T-SG	A-172	\$883
00212ET3H184T-W22	A-33; A-86	\$819
00212ET3PCT184T-W22	A-180	\$981
00212ET3YAL132S-W22	A-75; A-238	\$1,166
002120T3E184JM-S	A-211	\$816
002120T3E184JMV-S	A-214	\$874
002120T3E184JP-S	A-215	\$863
002120T3E184TC-S	A-56	\$635
002120T3E184T-S	A-50	\$597

Part Number	Page(s)	Price
002120T3E184T-SG	A-176	\$767
002120T3H184TC-S	A-56	\$635
002120T3H184T-S	A-50; A-264	\$597
00212ST3HIE184T-W22	A-62; A-97	\$1,363
00212ST3QIE184TC-W22	A-66; A-101	\$1,428
00212ST3QIE184T-W22	A-62; A-97	\$1,363
00212XT3E184T	A-115	\$1,158
00212XT3E184TC	A-119; A-165	\$1,323
00212XT3H184T	A-115	\$1,158
00218AT3ECT145TF1-W2	A-183	\$775
00218AT3ECT145T-W22	A-183	\$775
00218AT3PCT145T-W22	A-183	\$775
00218EG3EL145T-W22	A-80	\$673
00218ES1B145TC-S	A-21; A-150	\$643
00218ES1B145T-S	A-19; A-22; A-149; A-151; A-252	\$615
00218ES1E145JM	A-199	\$814
00218ES1E145JP	A-200	\$814
00218ES1E145T-S	A-20	\$615
00218ES1RFD145T-S	A-20	\$578
00218ES1RFD182T	A-20	\$790
00218ES1RFD182T-W22	A-246	\$790
00218ES1RFD56H-S	A-20; A-22; A-252	\$529
00218ET3E145HP-W22	A-233	\$730
00218ET3E145JM-S	A-202	\$707
00218ET3E145JM-SG	A-220	\$858
00218ET3E145JM-W22	A-202	\$707
00218ET3E145JP-S	A-206	\$718
00218ET3E145JP-SG	A-221	\$858
00218ET3E145JP-W22	A-206	\$718
00218ET3E145TC-S	A-43	\$558
00218ET3E145TC-W22	A-43; A-93	\$640
00218ET3E145T-S	A-33	\$533
00218ET3E145T-SG	A-172	\$673
00218ET3E145T-W22	A-33; A-86	\$612
00218ET3E56CFL-S	A-46	\$506
00218ET3E56C-S	A-43	\$506
00218ET3E56-S	A-33	\$478
00218ET3EAL100LFF-W2	A-78; A-241	\$700
00218ET3EAL100L-W22	A-75; A-238	\$630
00218ET3EBM145TC-S	A-72; A-270	\$1,959
00218ET3EBM145T-S	A-71; A-269	\$1,921
00218ET3EBM145T-W22	A-69; A-267	\$1,594
00218ET3EBMR145TC-S	A-72; A-270	\$1,959
00218ET3ECT145TF1-W2	A-180	\$752
00218ET3ECT145T-W22	A-180	\$752
00218ET3EPM143/5Y-W2	A-189	\$685
00218ET3ER145TC-S	A-46; A-95	\$558
00218ET3ER145TC-W22	A-46; A-158	\$659
00218ET3ESS145TC	A-134	\$1,219

Part Number	Page(s)	Price
00218ET3ESS145TCFL	A-135	\$1,219
00218ET3ESS56C	A-134	\$1,001
00218ET3ESS56CFL	A-135	\$1,001
00218ET3H145JM-S	A-202	\$707
00218ET3H145JM-SG	A-220	\$858
00218ET3H145JM-W22	A-202	\$707
00218ET3H145TC-S	A-43; A-93	\$558
00218ET3H145TC-W22	A-43; A-157	\$640
00218ET3H145T-S	A-33; A-86	\$533
00218ET3H145T-SG	A-172	\$673
00218ET3H145T-W22	A-33; A-156	\$612
00218ET3HCT145T-W22	A-180	\$752
00218ET3PCT145TF1-W2	A-180	\$752
00218ET3PCT145T-W22	A-180	\$752
00218ET3V145JM-S	A-202	\$707
00218ET3V145T-SG	A-172	\$673
00218ET3WAL100LFF-W2	A-78; A-241	\$700
00218ET3WAL100L-W22	A-75; A-238	\$630
00218NT3FVD145TC-W22	A-107; A-258	\$928
002180T1B56CFL-S	A-26; A-155	\$654
002180T1B56C-S	A-25; A-154	\$654
002180T1B56-S	A-23; A-152; A-169	\$626
002180T1BRB056H-S	A-24; A-153; A-170	\$616
002180T3E145JM-S	A-211	\$607
002180T3E145JM-SG	A-222	\$747
002180T3E145JMV-S	A-214	\$662
002180T3E145JP-S	A-215	\$607
002180T3E145JP-SG	A-223	\$747
002180T3E145TC-S	A-56	\$526
002180T3E145TC-SG	A-176	\$666
002180T3E145T-S	A-50	\$492
002180T3E145T-SG	A-176	\$632
002180T3E56CFL-S	A-60; A-161; A-171	\$399
002180T3E56C-S	A-56	\$399
002180T3E56-S	A-50	\$371
002180T3ECD145T-S	A-264	\$502
002180T3H145JM-S	A-211	\$607
002180T3H145JM-SG	A-222	\$747
002180T3H145TC-S	A-56	\$526
002180T3H145T-S	A-50; A-264	\$492
002180T3H145T-SG	A-176	\$632
002180T3H56CFL-S	A-60; A-161	\$399
002180T3P145T-S	A-50; A-159	\$492
002180T3V145JM-S	A-211	\$607
002180T3V145TC-S	A-56; A-160	\$526
002180T3V145T-SG	A-176	\$632
00218ST3HIE145T-W22	A-62; A-97	\$1,023
00218ST3QIE145TC-W22	A-66; A-101	\$1,073
00218ST3QIE145T-W22	A-62; A-97	\$1,023
00218ST3QIER145TC-W2	A-67; A-102	\$1,104
00218XT3E145T	A-115	\$995

Part Number	Page(s)	Price
00218XT3E145TC	A-119	\$1,148
00218XT3E56H	A-115	\$1,090
00218XT3E56HC	A-119	\$1,162
00218XT3ER145TC	A-120	\$1,168
00218XT3H145T	A-115	\$995
00218XT3H145TC	A-119	\$1,148
00226EP3QCT213VF1-W2	A-184	\$2,021
00226EP3QCT213V-W22	A-184	\$2,021
00236AP3EAF143TZ-S	A-254	\$578
00236AS1RAF143TZ-S	A-254	\$783
00236EG3E145T-W22	A-80	\$650
00236ES1B145T-S	A-20; A-22	\$641
00236ES1B56CFL-S	A-22; A-150	\$589
00236ES1B56C-S	A-21; A-150	\$589
00236ES1B56-S	A-20; A-22; A-149; A-151; A-252	\$561
00236ES1BJP56C-S	A-192	\$487
00236ES1BJP56J-S	A-192	\$486
00236ES1BJPR56C-S	A-192	\$494
00236ES1BJPR56J-S	A-192	\$498
00236ES1BOL56-S	A-20	\$592
00236ES1E145JM	A-199	\$770
00236ES1E145JP	A-200	\$770
00236ES1E145T-S	A-20; A-149; A-168	\$640
00236ET3E145HP-W22	A-233	\$581
00236ET3E145JM-S	A-202	\$683
00236ET3E145JM-SG	A-220	\$834
00236ET3E145JM-W22	A-202	\$683
00236ET3E145JP-S	A-206	\$694
00236ET3E145JP-SG	A-221	\$834
00236ET3E145JP-W22	A-206	\$694
00236ET3E145TC-W22	A-43	\$619
00236ET3E145T-S	A-33	\$514
00236ET3E145T-SG	A-172	\$654
00236ET3E145T-W22	A-33; A-86	\$591
00236ET3E56CFL-S	A-46	\$517
00236ET3E56C-S	A-43; A-93	\$517
00236ET3E56-S	A-33	\$489
00236ET3EAL90L-W22	A-75; A-238	\$756
00236ET3EBM145T-W22	A-69; A-267	\$1,501
00236ET3EJP56J-S	A-194	\$535
00236ET3EJPR56C-S	A-194	\$490
00236ET3EJPR56J-S	A-194	\$525
00236ET3EPM143/5Y-W2	A-189	\$661
00236ET3ER145TC-S	A-46; A-95	\$539
00236ET3ER145TC-W22	A-46; A-158	\$638
00236ET3ESS145TC	A-134	\$1,113
00236ET3ESS145TCFL	A-135	\$1,113
00236ET3ESS56C	A-134	\$989
00236ET3ESS56CFL	A-135	\$989
00236ET3H145JM-S	A-202	\$683
00236ET3H145JM-SG	A-220	\$834

Part Number	Page(s)	Price
00236ET3H145JM-W22	A-202	\$683
00236ET3H145TC-S	A-43; A-93	\$539
00236ET3H145TC-W22	A-43; A-157	\$619
00236ET3H145T-S	A-33; A-86	\$514
00236ET3H145T-SG	A-172	\$654
00236ET3H145T-W22	A-33; A-156	\$591
00236ET3H56C-S	A-43	\$517
00236ET3HJP56J-S	A-194	\$535
00236ET3HJPR56J-S	A-194	\$525
00236ET3V145JM-S	A-202	\$683
00236ET3WAL90LFF-W22	A-78; A-241	\$815
00236ET3WAL90L-W22	A-75; A-238	\$756
00236OS1BCD56-S	A-23; A-26; A-152; A-155; A-169	\$372
00236OS1BJP56J-S	A-193	\$438
00236OS1BJPR56C-S	A-193	\$424
00236OS1BJPR56J-S	A-193	\$438
00236OS3EJP56J-S	A-195	\$316
00236OS3EJPR56C-S	A-195	\$311
00236OS3EJPR56J-S	A-195	\$321
00236OS3HJP56J-S	A-195	\$316
00236OS3HJPR56C-S	A-195	\$311
00236OS3HJPR56J-S	A-195	\$321
00236OT1B56CFL-S	A-26; A-155	\$513
00236OT1B56C-S	A-25; A-154	\$513
00236OT1B56-S	A-23; A-152; A-169	\$485
00236OT1B056CFL-S	A-26; A-155	\$530
00236OT3E145JM-S	A-211	\$580
00236OT3E145JM-SG	A-222	\$720
00236OT3E145JMV-S	A-214	\$635
00236OT3E145JP-S	A-215	\$580
00236OT3E145JP-SG	A-223	\$720
00236OT3E145JPV-S	A-217	\$635
00236OT3E145TC-S	A-56	\$521
00236OT3E145T-S	A-50	\$487
00236OT3E145T-SG	A-176	\$627
00236OT3E56CFL-S	A-60; A-161	\$464
00236OT3E56C-S	A-56	\$464
00236OT3E56-S	A-50; A-264	\$436
00236OT3H145JM-S	A-211	\$580
00236OT3H145JM-SG	A-222	\$720
00236OT3H145TC-S	A-56	\$521
00236OT3H145T-S	A-50; A-264	\$487
00236OT3V145JM-S	A-211	\$580
00236OT3V145JM-SG	A-222	\$720
00236OT3V145JP-S	A-215	\$580
00236ST3HIE145T-W22	A-62; A-97	\$1,023
00236ST3QIE145TC-W22	A-66; A-101	\$1,073
00236ST3QIE145T-W22	A-62; A-97	\$1,023
00236XS1C56H	A-113; A-164	\$1,408
00236XS1C56HC	A-113; A-164	\$1,457
00236XT3E145T	A-115; A-165	\$935

Part Number	Page(s)	Price
00236XT3E145TC	A-119; A-165	\$1,045
00236XT3E56H	A-115	\$1,171
00236XT3E56HC	A-119	\$1,125
00236XT3H145T	A-115	\$935
00289EP3PCT145VF1-W2	A-185	\$929
00289EP3PCT145V-W22	A-185	\$929
00309ET3E215TC-W22	A-43; A-93	\$2,166
00309ET3E215T-W22	A-33	\$2,115
00309ET3EAL132M-W22	A-75; A-238	\$1,610
00309ET3EBM215T-W22	A-69; A-267	\$3,740
00309ET3H215T-W22	A-33; A-86	\$2,115
00309ET3YAL132M-W22	A-75; A-238	\$1,610
00309ST3QIE215TC-W22	A-66; A-101	\$2,963
00309ST3QIE215T-W22	A-62; A-97	\$2,883
00309XT3E215T	A-115; A-165	\$2,805
00312AT3ECT213TF1-W2	A-183	\$1,369
00312AT3ECT213T-W22	A-183	\$1,369
00312AT3HCT213T-W22	A-183	\$1,369
00312AT3PCT213TF1-W2	A-183	\$1,369
00312AT3PCT213T-W22	A-183	\$1,369
00312EG3E213T-W22	A-80	\$1,242
00312ES1E215T	A-20; A-22; A-149; A-151; A-168	\$1,327
00312ES3EOW215T-W22	A-256	\$1,027
00312ET3E213JM-S	A-202	\$1,423
00312ET3E213JM-W22	A-202	\$1,423
00312ET3E213JP-S	A-206	\$1,449
00312ET3E213JP-W22	A-206	\$1,449
00312ET3E213TC-W22	A-43; A-157	\$1,180
00312ET3E213T-S	A-34; A-86	\$983
00312ET3E213T-SG	A-172	\$1,183
00312ET3E213T-W22	A-34; A-86	\$1,129
00312ET3EAL132M-W22	A-76; A-239	\$1,247
00312ET3EBM213T-W22	A-69; A-267	\$3,220
00312ET3ECT213T-W22	A-180	\$1,329
00312ET3ER213TC-S	A-46	\$1,028
00312ET3ER213TC-W22	A-46; A-95	\$1,203
00312ET3H213T-S	A-34	\$983
00312ET3H213T-SG	A-172	\$1,183
00312ET3H213T-W22	A-34; A-86	\$1,129
00312ET3HCT213T-W22	A-180	\$1,329
00312ET3PCT213T-W22	A-180	\$1,329
00312ET3YAL132M-W22	A-76; A-239	\$1,247
003120T3E213JM-S	A-211	\$1,105
003120T3E213JMV-S	A-214	\$1,187
003120T3E213JP-S	A-215	\$1,095
003120T3E213TC-S	A-56; A-160	\$826
003120T3E213T-S	A-50; A-159	\$775
003120T3E213T-SG	A-176	\$975
003120T3H213TC-S	A-56	\$826
003120T3H213T-S	A-50	\$775
003120T3H213T-SG	A-176	\$975

Part Number	Page(s)	Price
00312ST3HIE213T-W22	A-62; A-97	\$1,537
00312ST3QIE213TC-W22	A-66; A-101	\$1,617
00312ST3QIE213T-W22	A-62; A-97	\$1,537
00312XT3E213T	A-115	\$1,792
00312XT3E213TC	A-119	\$1,868
00312XT3H213T	A-115	\$1,792
00318AT3ECT182TF1-W2	A-183	\$804
00318AT3ECT182T-W22	A-183	\$804
00318AT3HCT182T-W22	A-183	\$804
00318AT3PCT182TF1-W2	A-183	\$804
00318AT3PCT182T-W22	A-183	\$804
00318EG3E182T-W22	A-80	\$729
00318ES1B184JM	A-199	\$1,182
00318ES1B184JP	A-200	\$1,182
00318ES1B184TC	A-21	\$913
00318ES1C184T	A-20	\$875
00318ES1C184TC	A-21; A-150	\$913
00318ES1DFD184T	A-20	\$915
00318ES1DFD184T-W22	A-246	\$915
00318ES1E184JM	A-199	\$1,182
00318ES1E184JP	A-200	\$1,182
00318ES1E184T	A-20	\$874
00318ES1E184TC	A-21	\$913
00318ES1ER184TC	A-22; A-150	\$912
00318ET3E182HP-W22	A-233	\$923
00318ET3E182JM-S	A-202	\$1,022
00318ET3E182JM-SG	A-220	\$1,211
00318ET3E182JMV-S	A-202	\$1,080
00318ET3E182JM-W22	A-202	\$1,022
00318ET3E182JP-S	A-206	\$1,041
00318ET3E182JP-SG	A-221	\$1,211
00318ET3E182JP-W22	A-206	\$1,041
00318ET3E182TC-S	A-43; A-93	\$610
00318ET3E182TC-SG	A-172	\$780
00318ET3E182TC-W22	A-43; A-93	\$700
00318ET3E182T-S	A-34	\$577
00318ET3E182T-SG	A-172	\$747
00318ET3E182T-W22	A-34; A-86	\$663
00318ET3EAL100L-W22	A-76; A-239	\$672
00318ET3EBM182TC-S	A-72; A-270	\$2,189
00318ET3EBM182T-S	A-71; A-269	\$2,117
00318ET3EBM182T-W22	A-69; A-267	\$2,052
00318ET3EBMR182TC-S	A-72; A-270	\$2,189
00318ET3ECT182TF1-W2	A-180	\$781
00318ET3ECT182T-W22	A-180	\$781
00318ET3EPM182/4Y-W2	A-189	\$735
00318ET3ER182TC-S	A-47	\$610
00318ET3ER182TC-W22	A-47; A-95	\$721
00318ET3ESS182TC	A-134	\$1,453

Part Number	Page(s)	Price
00318ET3ESS182TCFL	A-135	\$1,453
00318ET3H182JM-S	A-202	\$1,022
00318ET3H182JM-SG	A-220	\$1,211
00318ET3H182JM-W22	A-202	\$1,022
00318ET3H182JP-S	A-206	\$1,041
00318ET3H182JP-W22	A-206	\$1,041
00318ET3H182TC-S	A-43	\$610
00318ET3H182TC-W22	A-43; A-93	\$700
00318ET3H182T-S	A-34	\$577
00318ET3H182T-SG	A-172	\$747
00318ET3H182T-W22	A-34; A-86	\$663
00318ET3HCT182TF1-W2	A-180	\$781
00318ET3HCT182T-W22	A-180	\$781
00318ET3PCT182TF1-W2	A-180	\$781
00318ET3PCT182T-W22	A-180	\$781
00318ET3V182JM-S	A-202	\$1,022
00318ET3V182T-SG	A-172	\$747
00318ET3WAL100LFF-W2	A-78; A-241	\$742
00318ET3WAL100L-W22	A-76; A-239	\$672
00318NT3FVD182TC-W22	A-107; A-258	\$1,150
00318OS1B184T	A-23; A-26; A-152; A-155; A-263	\$690
00318OS1C184T	A-23; A-152; A-169	\$690
00318OS1CCDOL184T	A-23	\$687
003180T3E182JM-S	A-211	\$665
003180T3E182JM-SG	A-222	\$835
003180T3E182JMV-S	A-214	\$723
003180T3E182JP-S	A-215	\$665
003180T3E182JP-SG	A-223	\$835
003180T3E182TC-S	A-56	\$562
003180T3E182TC-SG	A-176	\$732
003180T3E182T-S	A-51	\$524
003180T3E182T-SG	A-176	\$694
003180T3E56Z-S	A-51	\$481
003180T3H182JM-S	A-211	\$665
003180T3H182JM-SG	A-222	\$835
003180T3H182JP-S	A-215	\$665
003180T3H182TC-S	A-56	\$562
003180T3H182T-S	A-51; A-264	\$524
003180T3H182T-SG	A-176	\$694
003180T3P182T-S	A-51; A-159	\$524
003180T3V182JM-S	A-211	\$665
003180T3V182JM-SG	A-222	\$835
003180T3V182TC-S	A-56	\$562
003180T3V182TC-SG	A-176	\$732
003180T3V182T-S	A-51	\$524
003180T3V182T-SG	A-176	\$694
00318ST3HIE182T-W22	A-62; A-97	\$1,224
00318ST3QIE182TC-W22	A-66; A-101	\$1,289
00318ST3QIE182T-W22	A-62; A-97	\$1,224
00318ST3QIER182TC-W2	A-67; A-102	\$1,326
00318XT3E182JP	A-120	\$1,586

Part Number	Page(s)	Price
00318XT3E182T	A-115	\$1,208
00318XT3E182TC	A-119; A-165	\$1,373
00318XT3ER182TC	A-120	\$1,397
00318XT3H182JP	A-120; A-209	\$1,586
00318XT3H182T	A-115	\$1,208
00318XT3H182TC	A-119	\$1,373
00326EP3QCT215V-W22	A-185	\$2,125
00336AP1DGD145TZ-S	A-254	\$910
00336AP3EAF145TZ-S	A-254	\$659
00336AP3EGD145TZ-S	A-254	\$750
00336AS1RAF145TZ-S	A-254	\$818
00336EG3E182T-W22	A-80	\$839
00336ES1B145JM	A-199	\$1,076
00336ES1B145JP	A-200	\$1,076
00336ES1B145T-S	A-20; A-22	\$830
00336ES1B182T	A-20	\$882
00336ES1C145JM	A-199	\$1,076
00336ES1DJP56C-S	A-192	\$548
00336ES1DJP56J-S	A-192	\$557
00336ES1DJPR56C-S	A-192	\$555
00336ES1DJPR56J-S	A-192	\$573
00336ES1E145JM	A-199	\$1,076
00336ES1E145JP	A-200	\$1,076
00336ES1E145TC-S	A-21	\$858
00336ES1E145T-S	A-20	\$829
00336ES1E182T	A-20	\$879
00336ES3ESA80SL	A-265	\$969
00336ES3ESA80SR	A-265	\$969
00336ET3E145HP-W22	A-233	\$863
00336ET3E145JM-S	A-202	\$897
00336ET3E145JM-W22	A-202	\$764
00336ET3E145JP-S	A-206	\$915
00336ET3E145JP-W22	A-206	\$915
00336ET3E145TC-S	A-43	\$674
00336ET3E182HP-W22	A-233	\$925
00336ET3E182JM-S	A-202	\$918
00336ET3E182JM-SG	A-220	\$1,103
00336ET3E182JM-W22	A-202	\$918
00336ET3E182JP-S	A-206	\$933
00336ET3E182JP-SG	A-221	\$1,103
00336ET3E182JP-W22	A-206	\$933
00336ET3E182TC-S	A-43; A-93	\$698
00336ET3E182TC-W22	A-43	\$802
00336ET3E182T-S	A-34	\$665
00336ET3E182T-SG	A-172	\$835
00336ET3E182T-W22	A-34; A-86	\$763
00336ET3E56CFL-S	A-47	\$606
00336ET3E56C-S	A-43	\$606
00336ET3E56-S	A-34	\$578
00336ET3EAL100L-W22	A-76; A-239	\$805
00336ET3EBM182T-W22	A-69; A-267	\$2,290

Part Number	Page(s)	Price
00336ET3EJP56J-S	A-194	\$634
00336ET3EJPR56C-S	A-194	\$602
00336ET3EJPR56J-S	A-194	\$624
00336ET3EPM182/4Y-W2	A-189	\$847
00336ET3ER145TC-W22	A-47; A-95	\$677
00336ET3ER182TC-S	A-47; A-158	\$698
00336ET3ER182TC-W22	A-47; A-95	\$826
00336ET3ESS145TCFL	A-135	\$1,564
00336ET3ESS182TC	A-134	\$1,564
00336ET3ESS182TCFL	A-135	\$1,564
00336ET3H145JM-S	A-202	\$897
00336ET3H145JM-W22	A-202	\$764
00336ET3H182JM-S	A-202	\$918
00336ET3H182JM-SG	A-220	\$1,103
00336ET3H182JM-W22	A-202	\$918
00336ET3H182JP-W22	A-206	\$933
00336ET3H182TC-S	A-43; A-93	\$698
00336ET3H182TC-W22	A-43; A-157	\$802
00336ET3H182T-S	A-34; A-86	\$665
00336ET3H182T-SG	A-172	\$835
00336ET3H182T-W22	A-34; A-156	\$763
00336ET3H56CFL-S	A-47	\$606
00336ET3H56C-S	A-43	\$606
00336ET3HJP56J-S	A-194	\$634
00336ET3WAL100L-W22	A-76; A-239	\$805
00336OS1B182JM	A-209	\$977
00336OS1B182JP	A-209	\$977
00336OS1B182T	A-23	\$607
00336OS1C182T	A-23; A-263	\$606
00336OS1CCD56-S	A-23	\$432
00336OS1DJJP56J-S	A-193	\$499
00336OS1DJPR56C-S	A-193	\$482
00336OS1DJPR56J-S	A-193	\$499
00336OS3EJP56J-S	A-195	\$339
00336OS3EJPR56C-S	A-195	\$332
00336OS3EJPR56J-S	A-195	\$350
00336OS3HJP56J-S	A-195	\$339
00336OT1B56CFL-S	A-26; A-155	\$596
00336OT1B56C-S	A-25; A-154	\$596
00336OT1B56-S	A-23	\$568
00336OT1B056CFL-S	A-26; A-155	\$613
00336OT3E145JM-S	A-211	\$660
00336OT3E145JM-SG	A-222	\$800
00336OT3E145JMV-S	A-214	\$715
00336OT3E145JP-S	A-215	\$660
00336OT3E145JP-SG	A-223	\$800
00336OT3E145JPV-S	A-218	\$715
00336OT3E145TC-S	A-56	\$579
00336OT3E145T-S	A-51; A-264	\$545
00336OT3E145T-SG	A-176	\$685
00336OT3E56CFL-S	A-60; A-161	\$513

Part Number	Page(s)	Price
00336OT3E56C-S	A-56	\$513
00336OT3E56-S	A-51	\$485
00336OT3H145JM-S	A-211	\$660
00336OT3H145JM-SG	A-222	\$800
00336OT3H145JP-S	A-215	\$660
00336OT3H145TC-S	A-56	\$579
00336OT3H145T-S	A-51; A-264	\$545
00336OT3V145JM-S	A-211	\$660
00336OT3V145JM-SG	A-222	\$800
00336OT3V145JP-S	A-215	\$660
00336OT3V145TC-S	A-56; A-160	\$579
00336ST3HIE182T-W22	A-62; A-97	\$1,267
00336ST3QIE182TC-W22	A-66; A-101	\$1,332
00336ST3QIE182T-W22	A-62; A-97	\$1,267
00336XT3E182T	A-115	\$1,192
00336XT3E182TC	A-119	\$1,262
00336XT3H182T	A-115	\$1,192
00389EP3PCT182VF1-W2	A-185	\$1,369
00389EP3PCT182V-W22	A-185	\$1,369
00389EP3QCT182VF1-W2	A-185	\$1,369
00389EP3QCT182V-W22	A-185	\$1,369
00409ET3Y160M-W22	A-76; A-239	\$1,947
00412ET3EAL132M-W22	A-76; A-239	\$1,254
00412ET3YAL132MFF-W2	A-78; A-241	\$1,333
00412ET3YAL132M-W22	A-76; A-109; A-239	\$1,254
00418ET3EAL112M-W22	A-76; A-239	\$679
00418ET3YAL112MFF-W2	A-78; A-241	\$749
00418ET3YAL112M-W22	A-76; A-239	\$679
00436ET3EAL112M-W22	A-76; A-239	\$874
00436ET3YAL112MFF-W2	A-78; A-241	\$944
00436ET3YAL112M-W22	A-76; A-239	\$874
00456AP1DGD145TZ-S	A-254	\$1,025
00456AP3EGD145TZ-S	A-254	\$795
00456AP3EGD182Z-S	A-254	\$827
00509ES3EOW256T-W22	A-256	\$2,242
00509ET3E254T-W22	A-34	\$3,301
00509ET3EBM254T-W22	A-69; A-267	\$5,641
00509ET3H254T-W22	A-34; A-86	\$3,301
00509ET3Y160M-W22	A-76; A-239	\$2,244
00509ST3QIE254TC-W22	A-66; A-101	\$4,363
00509ST3QIE254T-W22	A-62; A-97	\$4,243
00509XT3E254T	A-115	\$3,953
00512AT3ECT215TF1-W2	A-183	\$1,563
00512AT3ECT215T-W22	A-183	\$1,563
00512AT3HCT215TF1-W2	A-183	\$1,563
00512AT3HCT215T-W22	A-183	\$1,563
00512AT3PCT215TF1-W2	A-183	\$1,563
00512AT3PCT215T-W22	A-183	\$1,563
00512EG3EL215T-W22	A-80	\$1,465
00512ES1E215T	A-20	\$1,588



Part Number	Page(s)	Price
00512ES3E0W215T-W22	A-261	\$1,170
00512ET3E215JM-S	A-202	\$1,769
00512ET3E215JM-W22	A-202	\$1,769
00512ET3E215JP-S	A-206	\$1,801
00512ET3E215JP-W22	A-206	\$1,801
00512ET3E215TC-W22	A-43; A-93	\$1,384
00512ET3E215T-S	A-34; A-86	\$1,160
00512ET3E215T-SG	A-172	\$1,360
00512ET3E215T-W22	A-34; A-86	\$1,332
00512ET3EBM215T-W22	A-69; A-267	\$3,406
00512ET3ECT215TF1-W2	A-180	\$1,517
00512ET3ECT215T-W22	A-180	\$1,517
00512ET3ER215TC-S	A-47; A-95	\$1,206
00512ET3ER215TC-W22	A-47; A-158	\$1,426
00512ET3H215T-S	A-34	\$1,160
00512ET3H215T-SG	A-172	\$1,360
00512ET3H215T-W22	A-34; A-86	\$1,332
00512ET3HCT215T-W22	A-180	\$1,517
00512ET3PCT215T-W22	A-180	\$1,517
00512ET3Y160M-W22	A-76; A-239	\$1,760
005120T3E215JM-S	A-211	\$1,319
005120T3E215JMV-S	A-214	\$1,401
005120T3E215JP-S	A-215	\$1,321
005120T3E215TC-S	A-56	\$1,108
005120T3E215T-S	A-51; A-159	\$1,057
005120T3E215T-SG	A-176	\$1,257
005120T3H215TC-S	A-56	\$1,108
005120T3H215T-S	A-51	\$1,057
00512ST3HIE215T-W22	A-62; A-97	\$1,901
00512ST3QIE215TC-W22	A-66; A-101	\$1,981
00512ST3QIE215T-W22	A-62; A-97	\$1,901
00512XT3E215T	A-115	\$1,899
00512XT3E215TC	A-119	\$1,975
00512XT3H215T	A-115	\$1,899
00518AT3ECT184TF1-W2	A-183	\$921
00518AT3ECT184T-W22	A-183	\$921
00518AT3HCT184TF1-W2	A-183	\$921
00518AT3HCT184T-W22	A-183	\$921
00518AT3PCT184TF1-W2	A-183	\$921
00518AT3PCT184T-W22	A-183	\$921
00518EG3EL184T-W22	A-80	\$849
00518EP3EHP184TYZ7F3	A-264	\$819
00518ES1B184JM	A-199	\$1,430
00518ES1B184JP	A-200	\$1,430
00518ES1C184T	A-20	\$1,066
00518ES1C184TC	A-21	\$1,103
00518ES1DFD184T	A-20	\$1,074
00518ES1DFD184T-W22	A-252	\$1,074
00518ES1DFD215T	A-20	\$1,205
00518ES1DFD215T-W22	A-252	\$1,205
00518ES1DFD215Z	A-20; A-22	\$1,205

Part Number	Page(s)	Price
00518ES1DFD215Z-W22	A-252	\$1,205
00518ES1E184JM	A-199	\$1,430
00518ES1E184JP	A-200	\$1,430
00518ES1E184T	A-20; A-22	\$1,064
00518ES1E184TC	A-21	\$1,103
00518ES1EID184TC-W22	A-254	\$1,153
00518ES3ESA90LL	A-271	\$1,701
00518ES3ESA90LR	A-271	\$1,701
00518ET3E184HP-W22	A-233	\$1,045
00518ET3E184JM-S	A-203	\$1,141
00518ET3E184JM-SG	A-220	\$1,331
00518ET3E184JMV-S	A-203	\$1,199
00518ET3E184JM-W22	A-203	\$1,141
00518ET3E184JP-S	A-206	\$1,161
00518ET3E184JP-SG	A-221	\$1,331
00518ET3E184JP-W22	A-206	\$1,161
00518ET3E184TC-S	A-43; A-157	\$706
00518ET3E184TC-SG	A-172	\$876
00518ET3E184TC-W22	A-43; A-93	\$810
00518ET3E184T-S	A-34	\$672
00518ET3E184T-SG	A-172	\$842
00518ET3E184T-SRT	A-34; A-86	\$840
00518ET3E184T-W22	A-34	\$772
00518ET3EAL132S-W22	A-76; A-109; A-239	\$932
00518ET3EBM184TC-S	A-72; A-270	\$2,564
00518ET3EBM184T-S	A-71; A-269	\$2,492
00518ET3EBM184T-W22	A-69; A-267	\$2,291
00518ET3EBMR184TC-S	A-72; A-270	\$2,564
00518ET3ECT184TF1-W2	A-180	\$894
00518ET3ECT184T-W22	A-180	\$894
00518ET3EID184TC-W22	A-254	\$860
00518ET3EPM182/4Y-W2	A-189	\$855
00518ET3ER184TC-S	A-47	\$706
00518ET3ER184TC-W22	A-47; A-95	\$834
00518ET3ESS184TC	A-134	\$1,607
00518ET3ESS184TCFL	A-135	\$1,607
00518ET3H184JM-S	A-203	\$1,141
00518ET3H184JM-SG	A-220	\$1,331
00518ET3H184JM-W22	A-203	\$1,141
00518ET3H184JP-S	A-206	\$1,161
00518ET3H184JP-W22	A-206	\$1,161
00518ET3H184TC-S	A-43	\$706
00518ET3H184TC-W22	A-43; A-93	\$810
00518ET3H184T-S	A-34	\$672
00518ET3H184T-SG	A-172	\$842
00518ET3H184T-SRT	A-34; A-86	\$840
00518ET3H184T-W22	A-34	\$772
00518ET3HBM184T-W22	A-69; A-267	\$2,291
00518ET3HCT184TF1-W2	A-180	\$894



Part Number	Page(s)	Price
00518ET3HCT184T-W22	A-180	\$894
00518ET3P184JM-S	A-203	\$1,141
00518ET3P184JM-W22	A-203	\$1,141
00518ET3P184T-S	A-34	\$672
00518ET3P184T-W22	A-34; A-86	\$772
00518ET3PCT184TF1-W2	A-180	\$894
00518ET3PCT184T-W22	A-180	\$894
00518ET3V184JM-S	A-203	\$1,141
00518ET3V184T-SG	A-172	\$842
00518ET3YAL132SFF-W2	A-78; A-241	\$1,011
00518ET3YAL132S-W22	A-76; A-109; A-239	\$932
00518NT3FVD184TC-W22	A-107; A-258	\$1,373
00518OS1C184T	A-24; A-153; A-170	\$725
00518OS1CCD184T	A-24; A-153; A-170	\$682
00518OS1CCDOL184T	A-24	\$721
00518OT3E184JM-S	A-211	\$849
00518OT3E184JM-SG	A-222	\$1,019
00518OT3E184JMV-S	A-214	\$907
00518OT3E184JP-S	A-215	\$848
00518OT3E184JP-SG	A-223	\$1,019
00518OT3E184TC-S	A-57	\$668
00518OT3E184TC-SG	A-176	\$838
00518OT3E184T-S	A-51	\$630
00518OT3E184T-SG	A-176	\$800
00518OT3H184JM-S	A-211	\$849
00518OT3H184JM-SG	A-222	\$1,019
00518OT3H184JP-S	A-215	\$848
00518OT3H184TC-S	A-57	\$668
00518OT3H184T-S	A-51	\$630
00518OT3H184T-SG	A-176	\$800
00518OT3P184T-S	A-51; A-264	\$630
00518OT3V184JM-S	A-211	\$849
00518OT3V184TC-S	A-57	\$668
00518OT3V184TC-SG	A-176	\$838
00518OT3V184T-S	A-51	\$630
00518OT3V184T-SG	A-176	\$800
00518ST3HIE184T-W22	A-62; A-97	\$1,371
00518ST3QIE184TC-W22	A-66; A-101	\$1,436
00518ST3QIE184T-W22	A-62; A-97	\$1,371
00518ST3QIER184TC-W2	A-67; A-102	\$1,478
00518XT3E184JP	A-120	\$1,609
00518XT3E184T	A-115	\$1,220
00518XT3E184TC	A-119	\$1,385
00518XT3ER184TC	A-120; A-209	\$1,409
00518XT3H184JP	A-120; A-209	\$1,609
00518XT3H184T	A-115	\$1,220
00518XT3H184TC	A-119	\$1,385
00526EP3QCT254VF1-W2	A-185	\$2,424
00526EP3QCT254V-W22	A-185	\$2,424
00536EG3E184T-W22	A-80	\$960
00536ES1B184JM	A-199	\$1,457

Part Number	Page(s)	Price
00536ES1B184JP	A-200	\$1,457
00536ES1B184T	A-20; A-22	\$1,040
00536ES1C184JM	A-199	\$1,457
00536ES1E184JM	A-199	\$1,457
00536ES1E184JP	A-200	\$1,457
00536ES1E184T	A-20	\$1,038
00536ES1E184TC	A-21	\$1,077
00536ES3ESA80ML	A-271	\$1,160
00536ES3ESA80MR	A-271	\$1,160
00536ET3E184HP-W22	A-233	\$1,084
00536ET3E184JM-S	A-203	\$1,075
00536ET3E184JM-SG	A-220	\$1,264
00536ET3E184JMV-S	A-203	\$1,247
00536ET3E184JM-W22	A-203	\$1,075
00536ET3E184JP-S	A-206	\$1,094
00536ET3E184JP-SG	A-221	\$1,264
00536ET3E184JP-W22	A-206	\$1,094
00536ET3E184TC-SG	A-172	\$963
00536ET3E184TC-W22	A-43	\$911
00536ET3E184T-S	A-34	\$760
00536ET3E184T-SG	A-172	\$930
00536ET3E184T-SRT	A-34; A-86	\$810
00536ET3E184T-W22	A-34	\$873
00536ET3EAL132S-W22	A-76; A-239	\$1,144
00536ET3EBM184T-W22	A-69; A-267	\$2,343
00536ET3EPM182/4Y-W2	A-189	\$985
00536ET3ER184TC-S	A-47	\$793
00536ET3ER184TC-W22	A-47; A-95	\$938
00536ET3ESS184TC	A-134	\$1,779
00536ET3ESS184TCFL	A-135	\$1,779
00536ET3H184JM-S	A-203	\$1,075
00536ET3H184JM-SG	A-220	\$1,264
00536ET3H184JM-W22	A-203	\$1,075
00536ET3H184JP-W22	A-206	\$1,094
00536ET3H184TC-S	A-43; A-93	\$793
00536ET3H184TC-W22	A-43; A-93	\$911
00536ET3H184T-S	A-34	\$760
00536ET3H184T-SG	A-172	\$930
00536ET3H184T-W22	A-34; A-86	\$873
00536ET3P184JM-S	A-203	\$1,075
00536ET3V184JM-S	A-203	\$1,075
00536ET3YAL132SFF-W2	A-78; A-241	\$1,223
00536ET3YAL132S-W22	A-76; A-239	\$1,144
00536OS1B184JM	A-210	\$1,383
00536OS1B184JP	A-210	\$1,383
00536OS1B184T	A-24; A-263	\$863
00536OS1C184T	A-24; A-263	\$863
00536OS1CCDW184Y-S	A-24	\$526
00536OS1D184T	A-24	\$862
00536OS1DCD56H-S	A-24; A-26; A-263	\$458
00536OS1DCD56HZ-S	A-24	\$481

Part Number	Page(s)	Price
005360S3ECD56-S	A-264	\$412
005360T3E182JM-S	A-211	\$780
005360T3E182JM-SG	A-222	\$962
005360T3E182JMV-S	A-214	\$838
005360T3E182JP-S	A-215	\$792
005360T3E182JP-SG	A-223	\$962
005360T3E182JPV-S	A-218	\$850
005360T3E182TC-S	A-57	\$689
005360T3E182TC-SG	A-176	\$859
005360T3E182T-S	A-51; A-264	\$651
005360T3E182T-SG	A-176	\$821
005360T3H182JM-S	A-211	\$780
005360T3H182JM-SG	A-222	\$962
005360T3H182JP-S	A-215	\$792
005360T3H182TC-S	A-57	\$689
005360T3H182T-S	A-51	\$651
005360T3V182JM-S	A-211	\$780
005360T3V182JM-SG	A-222	\$962
005360T3V182JP-S	A-215	\$792
005360T3V182TC-S	A-57	\$689
005360T3V182T-S	A-51; A-264	\$651
00536ST3HIE184T-W22	A-62; A-97	\$1,429
00536ST3QIE184TC-W22	A-66; A-101	\$1,494
00536ST3QIE184T-W22	A-62; A-97	\$1,429
00536XT3E184T	A-115	\$1,255
00536XT3E184TC	A-119	\$1,325
00536XT3H184T	A-115	\$1,255
00536XT3H184TC	A-119	\$1,325
00589EP3HCT184VF1-W2	A-185	\$1,471
00589EP3HCT184V-W22	A-185	\$1,471
00589EP3PCT184VF1-W2	A-185	\$1,471
00589EP3PCT184V-W22	A-185	\$1,471
00589EP3PCT215V2F1-W	A-185	\$2,262
00589EP3QCT184VF1-W2	A-185	\$1,471
00589EP3QCT184V-W22	A-185	\$1,471
00589EP3QCT215V2F1-W	A-185	\$2,262
00589EP3QCT215V2-W22	A-185	\$2,262
00709ET3E256TC-W22	A-43	\$3,726
00709ET3E256T-W22	A-34	\$3,658
00709ET3EBM256T-W22	A-69; A-267	\$6,415
00709ET3H256T-W22	A-34; A-86	\$3,658
00709ET3Y160L-W22	A-76; A-239	\$2,774
00709ST3QIE256TC-W22	A-66; A-101	\$5,160
00709ST3QIE256T-W22	A-62; A-97	\$5,040
00709XT3E256T	A-115	\$4,707
00712AT3ECT254TF1-W2	A-183	\$2,506
00712AT3PCT254TF1-W2	A-183	\$2,506
00712EG3E254T-W22	A-80	\$2,272
00712ES3EOW254T-W22	A-261	\$1,688
00712ET3E254JM-S	A-203	\$2,455
00712ET3E254JM-W22	A-203	\$2,455

Part Number	Page(s)	Price
00712ET3E254JP-S	A-206	\$2,495
00712ET3E254JP-W22	A-206	\$2,495
00712ET3E254TC-W22	A-43; A-93	\$2,134
00712ET3E254T-S	A-35; A-87	\$1,799
00712ET3E254T-SG	A-172	\$2,079
00712ET3E254T-W22	A-35; A-87	\$2,065
00712ET3EBM254T-W22	A-69; A-267	\$5,172
00712ET3ECT254T-W22	A-180	\$2,433
00712ET3ER254TC-S	A-47	\$1,859
00712ET3H254T-S	A-35	\$1,799
00712ET3H254T-SG	A-172	\$2,079
00712ET3H254T-W22	A-35; A-87	\$2,065
00712ET3HCT254T-W22	A-180	\$2,433
00712ET3PCT254T-W22	A-181	\$2,433
00712ET3Y160M-W22	A-76; A-239	\$2,306
007120T3E254JM-S	A-211	\$1,985
007120T3E254JM-W40	A-211	\$1,985
007120T3E254JP-S	A-215	\$2,113
007120T3E254JPV-S	A-218	\$2,211
007120T3E254JP-W40	A-215	\$2,113
007120T3E254TC-S	A-57	\$1,535
007120T3E254TC-SG	A-176	\$1,815
007120T3E254TC-W40	A-57	\$1,535
007120T3E254T-S	A-51	\$1,467
007120T3E254T-SG	A-176	\$1,747
007120T3E254T-W40	A-51	\$1,467
007120T3H254TC-S	A-57	\$1,535
007120T3H254TC-W40	A-57	\$1,535
007120T3H254T-S	A-51	\$1,467
007120T3H254T-SG	A-177	\$1,747
00712ST3HIE254T-W22	A-62; A-97	\$2,544
00712ST3QIE254TC-W22	A-66; A-101	\$2,664
00712ST3QIE254T-W22	A-62; A-97	\$2,544
00712XT3E254T	A-115	\$2,483
00712XT3H254T	A-116	\$2,483
00718AT3ECT213TF1-W2	A-183	\$1,332
00718AT3ECT213T-W22	A-183	\$1,332
00718AT3HCT213TF1-W2	A-183	\$1,332
00718AT3HCT213T-W22	A-183	\$1,332
00718AT3PCT213TF1-W2	A-183	\$1,332
00718AT3PCT213T-W22	A-183	\$1,332
00718EG3E213T-W22	A-80	\$1,198
00718EP3EHP213TYZ7F3	A-264	\$1,054
00718ES1C215JM	A-199	\$1,766
00718ES1DFD215T	A-20	\$1,463
00718ES1DFD215T-W22	A-252	\$1,463
00718ES1DFD215Z	A-20	\$1,463
00718ES1DFD215Z-W22	A-252	\$1,463
00718ES1E215JM	A-199	\$1,762
00718ES1E215JP	A-200	\$1,762
00718ES1E215T	A-20; A-22	\$1,359

Part Number	Page(s)	Price
00718ES1E215TC	A-21	\$1,410
00718ES1EID215TC-W22	A-255	\$1,471
00718ES3ESA90LL	A-271	\$1,855
00718ES3ESA90LR	A-271	\$1,855
00718ET3E213HP-W22	A-233	\$1,371
00718ET3E213JM-S	A-203	\$1,519
00718ET3E213JM-SG	A-220	\$1,743
00718ET3E213JM-W22	A-203	\$1,519
00718ET3E213JP-S	A-207	\$1,543
00718ET3E213JP-SG	A-221	\$1,743
00718ET3E213JP-W22	A-207	\$1,543
00718ET3E213TC-SG	A-173	\$1,194
00718ET3E213TC-W22	A-43; A-93	\$1,141
00718ET3E213T-S	A-35	\$948
00718ET3E213T-SG	A-173	\$1,148
00718ET3E213T-W22	A-35; A-87	\$1,089
00718ET3EAL132M-W22	A-76; A-109; A-239	\$1,110
00718ET3EBM213TC-S	A-72; A-270	\$4,702
00718ET3EBM213T-S	A-71; A-269	\$4,563
00718ET3EBM213T-W22	A-69; A-267	\$2,903
00718ET3EBMR213TC-S	A-72; A-270	\$4,702
00718ET3ECT213TF1-W2	A-181	\$1,293
00718ET3ECT213T-W22	A-181	\$1,293
00718ET3EID213TC-W22	A-255	\$1,202
00718ET3EPM213/5Y-W2	A-189	\$1,240
00718ET3ER213TC-S	A-47; A-95	\$994
00718ET3ER213TC-W22	A-47	\$1,175
00718ET3ESS213TC	A-134	\$2,201
00718ET3ESS213TCFL	A-135	\$2,201
00718ET3H213JM-S	A-203	\$1,519
00718ET3H213JM-SG	A-220	\$1,743
00718ET3H213JM-W22	A-203	\$1,519
00718ET3H213JP-S	A-207	\$1,543
00718ET3H213JP-SG	A-221	\$1,743
00718ET3H213JP-W22	A-207	\$1,543
00718ET3H213TC-W22	A-43; A-93	\$1,141
00718ET3H213T-S	A-35	\$948
00718ET3H213T-SG	A-173	\$1,148
00718ET3H213T-W22	A-35; A-87	\$1,089
00718ET3HCT213TF1-W2	A-181	\$1,293
00718ET3HCT213T-W22	A-181	\$1,293
00718ET3P213JM-S	A-203	\$1,519
00718ET3P213T-S	A-35	\$948
00718ET3P213T-W22	A-35; A-87	\$1,089
00718ET3PCT213TF1-W2	A-181	\$1,293
00718ET3PCT213T-W22	A-181	\$1,293
00718ET3V213JM-S	A-203	\$1,519
00718ET3V213JP-S	A-207	\$1,543
00718ET3V213T-SG	A-173	\$1,148
00718ET3YAL132MFF-W2	A-78; A-241	\$1,189
00718ET3YAL132M-W22	A-76; A-109; A-239	\$1,110

Part Number	Page(s)	Price
00718NT3FVD213TC-W22	A-107; A-258	\$1,803
00718OP3EFP213JPV-S	A-228	\$1,028
00718OP3HFP213JPV-S	A-228	\$1,028
00718OS1CCD215T	A-24; A-26; A-152; A-155; A-263	\$961
00718OS1F215T	A-24; A-26; A-152; A-155; A-263	\$961
00718OT3E213JM-S	A-211	\$1,119
00718OT3E213JM-SG	A-222	\$1,320
00718OT3E213JMV-S	A-214	\$1,201
00718OT3E213JP-S	A-215	\$1,120
00718OT3E213JP-SG	A-223	\$1,320
00718OT3E213TC-S	A-57	\$961
00718OT3E213TC-SG	A-177	\$1,161
00718OT3E213T-S	A-51	\$910
00718OT3E213T-SG	A-177	\$1,110
00718OT3H213JM-S	A-211	\$1,120
00718OT3H213JM-SG	A-222	\$1,320
00718OT3H213JP-S	A-215	\$1,120
00718OT3H213JP-SG	A-223	\$1,320
00718OT3H213TC-S	A-57	\$961
00718OT3H213T-S	A-51	\$910
00718OT3H213T-SG	A-177	\$1,110
00718OT3P213T-S	A-51; A-264	\$910
00718OT3V213JM-S	A-211	\$1,119
00718OT3V213JP-S	A-215	\$1,120
00718OT3V213JP-SG	A-223	\$1,320
00718OT3V213TC-S	A-57	\$961
00718OT3V213TC-SG	A-177	\$1,161
00718OT3V213T-SG	A-177	\$1,110
00718ST3HIE213T-W22	A-62; A-97	\$1,646
00718ST3QIE213TC-W22	A-66; A-101	\$1,726
00718ST3QIE213T-W22	A-62; A-97	\$1,646
00718ST3QIER213TC-W2	A-67; A-102	\$1,776
00718XT3E213T	A-116	\$1,897
00718XT3E213TC	A-119	\$2,080
00718XT3ER213TC	A-120	\$2,118
00718XT3H213T	A-116	\$1,897
00718XT3H213TC	A-119	\$2,080
00726EP3QCT256V-W22	A-185	\$2,496
00736AP1DGD182TZ-S	A-254	\$1,296
00736AP3EGD184TZ-S	A-254	\$933
00736EG3E213T-W22	A-80	\$1,238
00736ES1B213T	A-20; A-22	\$1,552
00736ES1C213JM	A-199	\$1,641
00736ES1C213JP	A-200	\$1,641
00736ES1E213JM	A-199	\$1,641
00736ES1E213JP	A-200	\$1,641
00736ES1E213T	A-20	\$1,548
00736ES1E213TC	A-21	\$1,598
00736ES3ESA80LL	A-271	\$1,642
00736ES3ESA80LR	A-271	\$1,642
00736ES3HSA80LL	A-271	\$1,642

Part Number	Page(s)	Price
00736ES3HSA80LR	A-271	\$1,642
00736ET3E184HP-W22	A-233	\$1,331
00736ET3E184JM-S	A-203	\$1,313
00736ET3E184JM-W22	A-203	\$1,313
00736ET3E184JP-S	A-207	\$1,339
00736ET3E184JP-W22	A-207	\$1,339
00736ET3E184TC-S	A-43; A-93	\$985
00736ET3E184TC-W22	A-43; A-93	\$1,112
00736ET3E184T-W22	A-35	\$1,074
00736ET3E213HP-W22	A-233	\$1,440
00736ET3E213JM-S	A-203	\$1,419
00736ET3E213JM-SG	A-220	\$1,645
00736ET3E213JM-W22	A-203	\$1,419
00736ET3E213JP-S	A-207	\$1,445
00736ET3E213JP-SG	A-221	\$1,645
00736ET3E213JP-W22	A-207	\$1,445
00736ET3E213TC-SG	A-173	\$1,225
00736ET3E213TC-W22	A-43	\$1,177
00736ET3E213T-S	A-35; A-87	\$980
00736ET3E213T-SG	A-173	\$1,180
00736ET3E213T-SRG	A-173	\$1,298
00736ET3E213T-SRT	A-35; A-87	\$1,078
00736ET3E213T-W22	A-35	\$1,125
00736ET3EAL132S-W22	A-76; A-239	\$1,292
00736ET3EBM213T-W22	A-69; A-267	\$3,002
00736ET3EPM213/5Y-W2	A-189	\$1,248
00736ET3ER213TC-S	A-47	\$1,025
00736ET3ER213TC-W22	A-47; A-95	\$1,212
00736ET3ESS213TC	A-134	\$2,208
00736ET3ESS213TCFL	A-135	\$2,208
00736ET3H184JM-S	A-203	\$1,313
00736ET3H184JM-W22	A-203	\$1,313
00736ET3H184TC-W22	A-43; A-93	\$1,112
00736ET3H213JM-S	A-203	\$1,419
00736ET3H213JM-SG	A-220	\$1,645
00736ET3H213JM-W22	A-203	\$1,419
00736ET3H213JP-S	A-207	\$1,445
00736ET3H213JP-W22	A-207	\$1,445
00736ET3H213TC-S	A-43; A-93	\$1,025
00736ET3H213TC-W22	A-43; A-93	\$1,177
00736ET3H213T-S	A-35	\$980
00736ET3H213T-SG	A-173	\$1,180
00736ET3H213T-W22	A-35; A-87	\$1,125
00736ET3V213JM-S	A-203	\$1,419
00736ET3YAL132SFF-W2	A-78; A-241	\$1,371
00736ET3YAL132S-W22	A-76; A-239	\$1,292
00736OP3EFP184JMV-S	A-227	\$993
00736OP3EFP184JPV-S	A-229	\$993
00736OP3EFP184TC-S	A-226	\$734
00736OP3HFP184JMV-S	A-227	\$993
00736OP3HFP184JPV-S	A-229	\$993

Part Number	Page(s)	Price
00736OP3HFP184TC-S	A-226	\$734
00736OP3VFP184JMV-S	A-228	\$993
00736OP3VFP184JPV-S	A-229	\$993
00736OP3VFP184TC-S	A-227	\$734
00736OS1C184T	A-24; A-263	\$961
00736OS1C213JM	A-210	\$1,567
00736OS1C213JP	A-210	\$1,567
00736OT3E184JM-S	A-211	\$1,086
00736OT3E184JM-SG	A-222	\$1,256
00736OT3E184JMV-S	A-214	\$1,144
00736OT3E184JP-S	A-215	\$1,086
00736OT3E184JP-SG	A-223	\$1,256
00736OT3E184JPV-S	A-218	\$1,144
00736OT3E184TC-S	A-57	\$958
00736OT3E184TC-SG	A-177	\$1,128
00736OT3E184T-S	A-51	\$920
00736OT3E184T-SG	A-177	\$1,090
00736OT3H184JM-S	A-211	\$1,086
00736OT3H184JM-SG	A-222	\$1,256
00736OT3H184JMV-S	A-214	\$1,144
00736OT3H184JP-S	A-215	\$1,086
00736OT3H184TC-S	A-57	\$958
00736OT3H184T-S	A-51; A-264	\$920
00736OT3V184JM-S	A-211	\$1,086
00736OT3V184JMV-S	A-214	\$1,144
00736OT3V184JP-S	A-215	\$1,086
00736OT3V184JPV-S	A-218	\$1,144
00736ST3HIE213T-W22	A-62; A-97	\$1,751
00736ST3QIE213TC-W22	A-66; A-101	\$1,831
00736ST3QIE213T-W22	A-62; A-97	\$1,751
00736XT3E213T	A-116	\$1,646
00736XT3E213TC	A-119	\$1,722
00736XT3H213T	A-116	\$1,646
00789EP3HCT213V-W22	A-185	\$1,672
00789EP3PCT213VF1-W2	A-185	\$1,672
00789EP3PCT213V-W22	A-185	\$1,672
00789EP3PCT254V2F1-W	A-185	\$2,808
00789EP3PCT254V2-W22	A-185	\$2,808
00789EP3QCT213VF1-W2	A-185	\$1,672
00789EP3QCT213V-W22	A-185	\$1,672
00789EP3QCT254V2F1-W	A-185	\$2,808
00789EP3QCT254V2-W22	A-185	\$2,808
01009ES3EOW286T-W22	A-261	\$3,437
01009ET3E284T-W22	A-35	\$4,634
01009ET3H284T-W22	A-35; A-87	\$4,634
01009ST3QIE284TC-W22	A-66; A-101	\$6,136
01009ST3QIE284T-W22	A-62; A-97	\$5,936
01009XT3E284T	A-116	\$5,668
01012AT3ECT256TF1-W2	A-183	\$2,919
01012AT3PCT256TF1-W2	A-183	\$2,919
01012AT3PCT256T-W22	A-184	\$2,919

Part Number	Page(s)	Price
01012EG3E256T-W22	A-80	\$2,636
01012ES3EOW256T-W22	A-261	\$2,070
01012ET3E256JM-S	A-203	\$2,979
01012ET3E256JM-W22	A-203	\$2,979
01012ET3E256JP-S	A-207	\$3,103
01012ET3E256JP-W22	A-207	\$3,103
01012ET3E256TC-W22	A-43	\$2,465
01012ET3E256T-S	A-35; A-87	\$2,088
01012ET3E256T-SG	A-173	\$2,368
01012ET3E256T-W22	A-35; A-87	\$2,396
01012ET3EBM256T-W22	A-69; A-267	\$5,759
01012ET3ECT256TF1-W2	A-181	\$2,751
01012ET3ECT256T-W22	A-181	\$2,751
01012ET3ER256TC-S	A-47	\$2,148
01012ET3H256T-S	A-35	\$2,088
01012ET3H256T-SG	A-173	\$2,368
01012ET3H256T-W22	A-35; A-87	\$2,396
01012ET3HCT256T-W22	A-181	\$2,751
01012ET3PCT256T-W22	A-181	\$2,751
010120T3E256JM-S	A-211	\$2,298
010120T3E256JM-W40	A-211	\$2,298
010120T3E256JP-S	A-215	\$2,298
010120T3E256JPV-S	A-218	\$2,396
010120T3E256JP-W40	A-215	\$2,298
010120T3E256TC-S	A-57	\$1,785
010120T3E256TC-W40	A-57	\$1,785
010120T3E256T-S	A-51; A-264	\$1,717
010120T3E256T-SG	A-177	\$1,997
010120T3E256T-W40	A-51	\$1,717
010120T3H256TC-S	A-57	\$1,785
010120T3H256TC-W40	A-57	\$1,785
010120T3H256T-S	A-51	\$1,717
010120T3H256T-SG	A-177	\$1,997
01012ST3HIE256T-W22	A-62; A-97	\$2,834
01012ST3QIE256TC-W22	A-66; A-101	\$2,954
01012ST3QIE256T-W22	A-63; A-98	\$2,834
01012XT3E256T	A-116	\$2,900
01012XT3H256T	A-116	\$2,900
01018AT3ECT215TF1-W2	A-184	\$1,519
01018AT3ECT215T-W22	A-184	\$1,519
01018AT3HCT215TF1-W2	A-184	\$1,519
01018AT3HCT215T-W22	A-184	\$1,519
01018AT3PCT215TF1-W2	A-184	\$1,519
01018AT3PCT215T-W22	A-184	\$1,519
01018EG3EL215T-W22	A-80	\$1,400
01018EP3EHP215TYZ7F3	A-265	\$1,244
01018ES1C215JM	A-199	\$2,057
01018ES1DFD215T	A-20	\$1,692
01018ES1DFD215T-W22	A-252	\$1,692
01018ES1E215JM	A-199	\$2,057
01018ES1E215JP	A-200	\$2,057

Part Number	Page(s)	Price
01018ES1E215T	A-20	\$1,579
01018ES1E215TC	A-21	\$1,633
01018ES1EID215TC-W22	A-255	\$1,694
01018ES3ESA90LL	A-271	\$2,176
01018ES3ESA90LR	A-271	\$2,176
01018ET3E215HP-W22	A-233	\$1,641
01018ET3E215JM-S	A-203	\$1,792
01018ET3E215JM-SG	A-220	\$2,023
01018ET3E215JM-W22	A-203	\$1,792
01018ET3E215JP-S	A-207	\$1,823
01018ET3E215JP-SG	A-221	\$2,023
01018ET3E215JP-W22	A-207	\$1,823
01018ET3E215TC-S	A-43; A-93	\$1,354
01018ET3E215TC-SG	A-173	\$1,354
01018ET3E215TC-W22	A-44; A-93	\$1,325
01018ET3E215T-S	A-35	\$1,110
01018ET3E215T-SG	A-173	\$1,310
01018ET3E215T-W22	A-35; A-87	\$1,273
01018ET3EBM215TC-S	A-72; A-270	\$5,128
01018ET3EBM215T-S	A-71; A-269	\$4,989
01018ET3EBM215T-W22	A-69; A-267	\$3,474
01018ET3EBMR215TC-S	A-72; A-270	\$5,128
01018ET3ECT215TF1-W2	A-181	\$1,475
01018ET3ECT215T-W22	A-181	\$1,475
01018ET3EID215TC-W22	A-255	\$1,386
01018ET3EPM213/5Y-W2	A-189	\$1,450
01018ET3ER215TC-S	A-47; A-95	\$1,154
01018ET3ER215TC-W22	A-47	\$1,366
01018ET3ESS215TC	A-134	\$2,452
01018ET3ESS215TCFL	A-135	\$2,452
01018ET3H215JM-S	A-203	\$1,792
01018ET3H215JM-SG	A-220	\$2,023
01018ET3H215JM-W22	A-203	\$1,792
01018ET3H215JP-S	A-207	\$1,823
01018ET3H215JP-SG	A-221	\$2,023
01018ET3H215JP-W22	A-207	\$1,823
01018ET3H215TC-S	A-44	\$1,154
01018ET3H215TC-W22	A-44; A-93	\$1,325
01018ET3H215T-S	A-35	\$1,110
01018ET3H215T-SG	A-173	\$1,310
01018ET3H215T-W22	A-35; A-87	\$1,273
01018ET3HBM215T-W22	A-69; A-267	\$3,474
01018ET3HCT215TF1-W2	A-181	\$1,475
01018ET3HCT215T-W22	A-181	\$1,475
01018ET3HR215TC-S	A-47	\$1,154
01018ET3P215T-W22	A-35	\$1,273
01018ET3PCT215TF1-W2	A-181	\$1,475
01018ET3PCT215T-W22	A-181	\$1,475
01018ET3V215JM-S	A-203	\$1,792
01018ET3V215JP-S	A-207	\$1,823
01018ET3V215T-SG	A-173	\$1,310

Part Number	Page(s)	Price
01018NT3FVD215TC-W22	A-107; A-258	\$2,157
010180P3EFP215JPV-S	A-229	\$1,245
010180S1CCD215T	A-24	\$1,468
010180T3E215JM-S	A-212	\$1,364
010180T3E215JM-SG	A-222	\$1,566
010180T3E215JMV-S	A-214	\$1,446
010180T3E215JP-S	A-215	\$1,366
010180T3E215JP-SG	A-223	\$1,566
010180T3E215TC-S	A-57	\$1,153
010180T3E215TC-SG	A-177	\$1,353
010180T3E215T-S	A-51	\$1,102
010180T3E215T-SG	A-177	\$1,302
010180T3H215JM-S	A-212	\$1,366
010180T3H215JM-SG	A-222	\$1,566
010180T3H215JMV-S	A-214	\$1,448
010180T3H215JP-S	A-215	\$1,366
010180T3H215JP-SG	A-223	\$1,566
010180T3H215TC-S	A-57	\$1,153
010180T3H215T-S	A-51	\$1,102
010180T3H215T-SG	A-177	\$1,302
010180T3P215T-S	A-51; A-264	\$1,102
010180T3V215JP-S	A-215	\$1,366
010180T3V215JP-SG	A-223	\$1,566
010180T3V215TC-S	A-57	\$1,153
010180T3V215TC-SG	A-177	\$1,353
010180T3V215T-SG	A-177	\$1,302
01018ST3HIE215T-W22	A-63; A-98	\$1,760
01018ST3QIE215TC-W22	A-66; A-101	\$1,840
01018ST3QIE215T-W22	A-63; A-98	\$1,760
01018ST3QIER215TC-W2	A-67; A-102	\$1,893
01018XT3E215T	A-116	\$1,997
01018XT3E215TC	A-119	\$2,180
01018XT3ER215TC	A-120; A-209	\$2,220
01018XT3H215T	A-116	\$1,997
01018XT3H215TC	A-119	\$2,180
01026EP3QCT284V-W22	A-185	\$3,017
01036AP1DGD182TZ-S	A-254	\$1,338
01036AP3EGD184TZ-S	A-254	\$1,123
01036EG3E215T-W22	A-80	\$1,465
01036ES1C215JM	A-199	\$2,172
01036ES1C215JP	A-200	\$2,172
01036ES1E215JM	A-199	\$2,172
01036ES1E215JP	A-200	\$2,172
01036ES1E215T	A-20; A-22	\$1,916
01036ES1E215TC	A-21	\$1,970
01036ES3ESA90LL	A-271	\$1,953
01036ES3ESA90LR	A-271	\$1,953
01036ES3HSA90LL	A-271	\$1,953
01036ES3HSA90LR	A-271	\$1,953
01036ET3E215HP-W22	A-233	\$1,727
01036ET3E215JM-S	A-203	\$1,769

Part Number	Page(s)	Price
01036ET3E215JM-SG	A-220	\$2,001
01036ET3E215JM-W22	A-203	\$1,769
01036ET3E215JP-S	A-207	\$1,801
01036ET3E215JP-SG	A-221	\$2,001
01036ET3E215JP-W22	A-207	\$1,801
01036ET3E215TC-SG	A-173	\$1,405
01036ET3E215TC-W22	A-44	\$1,383
01036ET3E215T-S	A-35; A-87	\$1,160
01036ET3E215T-SG	A-173	\$1,360
01036ET3E215T-SRG	A-173	\$1,496
01036ET3E215T-SRT	A-35; A-87	\$1,276
01036ET3E215T-W22	A-35	\$1,332
01036ET3EBM215T-W22	A-69; A-267	\$3,492
01036ET3EPM213/5Y-W2	A-189	\$1,477
01036ET3ER215TC-S	A-47; A-95	\$1,205
01036ET3ER215TC-W22	A-47	\$1,424
01036ET3ESS215TC	A-134	\$2,713
01036ET3ESS215TCFL	A-135	\$2,713
01036ET3H215JM-S	A-203	\$1,769
01036ET3H215JM-SG	A-220	\$2,001
01036ET3H215JM-W22	A-203	\$1,769
01036ET3H215JP-S	A-207	\$1,801
01036ET3H215JP-W22	A-207	\$1,801
01036ET3H215TC-S	A-44; A-93	\$1,205
01036ET3H215TC-W22	A-44; A-93	\$1,383
01036ET3H215T-S	A-35	\$1,160
01036ET3H215T-SG	A-173	\$1,360
01036ET3H215T-W22	A-35; A-87	\$1,332
01036ET3V215JM-S	A-203	\$1,769
010360P3EFP213JMV-S	A-228	\$1,201
010360P3EFP213JPV-S	A-229	\$1,273
010360P3EFP213TC-S	A-227	\$901
010360P3HFP213JMV-S	A-228	\$1,201
010360P3HFP213JPV-S	A-229	\$1,273
010360P3HFP213TC-S	A-227	\$901
010360P3VFP213JMV-S	A-228	\$1,201
010360P3VFP213JPV-S	A-229	\$1,273
010360S1C215JM	A-210	\$2,067
010360S1C215JP	A-210	\$2,067
010360T3E213JM-S	A-212	\$1,289
010360T3E213JM-SG	A-222	\$1,489
010360T3E213JMV-S	A-214	\$1,371
010360T3E213JP-S	A-215	\$1,289
010360T3E213JP-SG	A-223	\$1,489
010360T3E213JPV-S	A-218	\$1,371
010360T3E213TC-S	A-57	\$1,132
010360T3E213TC-SG	A-177	\$1,332
010360T3E213T-S	A-51	\$1,081
010360T3E213T-SG	A-177	\$1,281
010360T3H213JM-S	A-212	\$1,289
010360T3H213JM-SG	A-222	\$1,489



Part Number	Page(s)	Price
010360T3H213JMV-S	A-214	\$1,371
010360T3H213JP-S	A-215	\$1,289
010360T3H213JP-SG	A-223	\$1,489
010360T3H213JPV-S	A-218	\$1,371
010360T3H213TC-S	A-57	\$1,132
010360T3H213T-S	A-51; A-264	\$1,081
010360T3V213JM-S	A-212	\$1,289
010360T3V213JMV-S	A-214	\$1,371
010360T3V213JP-S	A-215	\$1,289
010360T3V213JPV-S	A-218	\$1,371
010360T3V213TC-S	A-57	\$1,132
01036ST3HIE215T-W22	A-63; A-98	\$1,920
01036ST3QIE215TC-W22	A-66; A-101	\$2,000
01036ST3QIE215T-W22	A-63; A-98	\$1,920
01036XT3E215T	A-116	\$1,727
01036XT3E215TC	A-119	\$1,803
01036XT3H215T	A-116	\$1,727
01036XT3H215TC	A-119	\$1,803
01089EP3HCT215VF1-W2	A-185	\$1,891
01089EP3HCT215V-W22	A-185	\$1,891
01089EP3PCT215VF1-W2	A-185	\$1,891
01089EP3PCT215V-W22	A-185	\$1,891
01089EP3PCT256V2F1-W	A-185	\$3,052
01089EP3PCT256V2-W22	A-185	\$3,052
01089EP3QCT215VF1-W2	A-185	\$1,891
01089EP3QCT215V-W22	A-185	\$1,891
01089EP3QCT256V2F1-W	A-185	\$3,052
01089EP3QCT256V2-W22	A-185	\$3,052
01109ET3Y180L-W22	A-76; A-239	\$4,031
01112ET3Y160L-W22	A-76; A-239	\$3,160
01118ET3Y160MFF-W22	A-78; A-241	\$1,843
01118ET3Y160M-W22	A-76; A-109; A-239	\$1,726
01136ET3Y160MFF-W22	A-78; A-241	\$2,219
01136ET3Y160M-W22	A-76; A-109; A-239	\$2,102
01218ES1E215T	A-20	\$1,776
01218ES1E215TC	A-21	\$1,827
01218ES1E215T-W22	A-252	\$1,776
01218ES1EID215TC-W22	A-255	\$1,888
01236ES1C215T	A-20	\$2,015
01509ES3EOW324T-W22	A-261	\$4,293
01509ET3E286T-W22	A-35	\$5,368
01509ET3H286T-W22	A-35; A-87	\$5,368
01509ET3Y200L-W22	A-76; A-109; A-239	\$5,158
01509ST3QIE286TC-W22	A-66; A-101	\$6,942
01509ST3QIE286T-W22	A-63; A-98	\$6,742
01509XT3E286T	A-116	\$7,102
01512EG3E284T-W22	A-80	\$3,620
01512ES3EOW284T-W22	A-261	\$2,679
01512ET3E284JM-W22	A-203	\$3,912
01512ET3E284JP-W22	A-207	\$3,972
01512ET3E284TC-W22	A-44	\$3,388

Part Number	Page(s)	Price
01512ET3E284TS-W22	A-36; A-87	\$3,291
01512ET3E284TS-W22G	A-173	\$3,601
01512ET3E284T-W22	A-36; A-87	\$3,291
01512ET3E284T-W22G	A-173	\$3,601
01512ET3ECT284T-W22	A-181	\$3,850
01512ET3EPM284/6Y-W2	A-189	\$3,652
01512ET3H284TC-W22	A-44; A-93	\$3,388
01512ET3H284TS-W22	A-36; A-87	\$3,291
01512ET3H284TS-W22G	A-173	\$3,601
01512ET3H284T-W22	A-36; A-87	\$3,291
01512ET3PCT284T-W22	A-181	\$3,850
01512ET3Y180L-W22	A-76; A-109; A-239	\$3,884
015120T3E284JM-W40	A-212	\$3,164
015120T3E284JPV-W40	A-218	\$3,399
015120T3E284JP-W40	A-215	\$3,163
015120T3E284TC-W40	A-57	\$2,497
015120T3E284T-W40	A-51; A-264	\$2,412
015120T3E284T-W40G	A-177	\$2,722
015120T3H284TC-W40	A-57	\$2,497
015120T3H284T-W40	A-51	\$2,412
01512ST3HIE284T-W22	A-63; A-98	\$4,203
01512ST3QIE284TC-W22	A-66; A-101	\$4,403
01512ST3QIE284T-W22	A-63; A-98	\$4,203
01512XT3E284T	A-116	\$4,048
01512XT3H284T	A-116	\$4,048
01515EP30FP254T-W22	A-230	\$1,811
01518AT3ECT254TF1-W2	A-184	\$2,186
01518AT3ECT254T-W22	A-184	\$2,186
01518AT3HCT254TF1-W2	A-184	\$2,186
01518AT3HCT254T-W22	A-184	\$2,186
01518AT3PCT254TF1-W2	A-184	\$2,186
01518AT3PCT254T-W22	A-184	\$2,186
01518EG3E254T-W22	A-80	\$2,033
01518ET3E254HP-W22	A-233	\$2,463
01518ET3E254JM-S	A-203	\$2,609
01518ET3E254JM-SG	A-220	\$2,933
01518ET3E254JM-W22	A-204	\$2,609
01518ET3E254JP-S	A-207	\$2,653
01518ET3E254JP-SG	A-221	\$2,933
01518ET3E254JP-W22	A-207	\$2,653
01518ET3E254TC-SG	A-173	\$1,950
01518ET3E254TC-W22	A-44; A-93	\$1,917
01518ET3E254T-S	A-36; A-87	\$1,610
01518ET3E254T-SG	A-173	\$1,890
01518ET3E254T-W22	A-36; A-87	\$1,848
01518ET3EBM254T-S	A-71; A-269	\$6,985
01518ET3EBM254T-W22	A-69; A-267	\$5,205
01518ET3ECT254TF1-W2	A-181	\$2,122
01518ET3ECT254T-W22	A-181	\$2,122
01518ET3EID254TC-W22	A-255	\$1,996

Part Number	Page(s)	Price
01518ET3ER254TC-S	A-47	\$1,670
01518ET3ER254TC-W22	A-47; A-95	\$1,975
01518ET3H254JM-S	A-204	\$2,609
01518ET3H254JM-SG	A-220	\$2,933
01518ET3H254JM-W22	A-204	\$2,609
01518ET3H254JP-S	A-207	\$2,653
01518ET3H254JP-W22	A-207	\$2,653
01518ET3H254TC-S	A-44; A-93	\$1,670
01518ET3H254TC-W22	A-44; A-93	\$1,917
01518ET3H254T-S	A-36	\$1,610
01518ET3H254T-SG	A-173	\$1,890
01518ET3H254T-W22	A-36; A-87	\$1,848
01518ET3HBM254T-W22	A-69; A-267	\$5,205
01518ET3HCT254TF1-W2	A-181	\$2,122
01518ET3HCT254T-W22	A-181	\$2,122
01518ET3HR254TC-S	A-47	\$1,670
01518ET3P254T-S	A-36	\$1,610
01518ET3P254T-W22	A-36; A-87	\$1,848
01518ET3PCT254TF1-W2	A-181	\$2,122
01518ET3PCT254T-W22	A-181	\$2,122
01518ET3V254JM-S	A-204	\$2,609
01518ET3V254JP-S	A-207	\$2,653
01518ET3V254T-SG	A-173	\$1,890
01518ET3Y160LFF-W22	A-78; A-241	\$2,235
01518ET3Y160L-W22	A-76; A-109; A-239	\$2,118
01518NT3FVD254TC-W22	A-107; A-258	\$2,567
015180P3EFP254JPV-S	A-229	\$1,847
015180P3VFP254JPV-S	A-229	\$1,847
015180T3E254JM-S	A-212	\$1,995
015180T3E254JM-SG	A-222	\$2,275
015180T3E254JMV-S	A-214	\$2,147
015180T3E254JM-W40	A-212	\$1,995
015180T3E254JP-S	A-215	\$1,995
015180T3E254JP-SG	A-223	\$2,275
015180T3E254JP-W40	A-216	\$1,995
015180T3E254TC-S	A-57	\$1,545
015180T3E254TC-SG	A-177	\$1,825
015180T3E254TC-W40	A-57	\$1,545
015180T3E254T-S	A-51	\$1,477
015180T3E254T-SG	A-177	\$1,757
015180T3E254T-W40	A-51	\$1,477
015180T3ECD254T*	A-264	\$1,507
015180T3ECD254T-W40	A-264	\$1,507
015180T3H254JM-S	A-212	\$1,995
015180T3H254JM-SG	A-222	\$2,275
015180T3H254JM-W40	A-212	\$1,995
015180T3H254JP-S	A-216	\$1,995
015180T3H254JP-W40	A-216	\$1,995
015180T3H254TC-S	A-57	\$1,545
015180T3H254TC-W40	A-57	\$1,545
015180T3H254T-S	A-51; A-264	\$1,477

Part Number	Page(s)	Price
015180T3H254T-SG	A-177	\$1,757
015180T3H254T-W40	A-51	\$1,477
015180T3HCD254T*	A-264	\$1,507
015180T3HCD254T-W40	A-264	\$1,507
015180T3P254T-S	A-51; A-264	\$1,477
015180T3P254T-W40	A-51	\$1,477
015180T3PCD254T-W40	A-264	\$1,507
015180T3V254JM-S	A-212	\$1,995
015180T3V254JM-W40	A-212	\$1,995
015180T3V254JPV-S	A-218	\$2,093
015180T3V254TC-S	A-57	\$1,545
015180T3V254TC-W40	A-57	\$1,545
015180T3V254T-S	A-51; A-264	\$1,477
015180T3V254T-SG	A-177	\$1,757
01518ST3HIE254T-W22	A-63; A-98	\$2,257
01518ST3QIE254TC-W22	A-66; A-101	\$2,377
01518ST3QIE254T-W22	A-63; A-98	\$2,257
01518XT3E254T	A-116	\$2,653
01518XT3E254TC	A-119	\$2,976
01518XT3ER254TC	A-120	\$3,029
01518XT3H254T	A-116	\$2,653
01518XT3H254TC	A-119	\$2,976
01526EP3HCT286VF1-W2	A-185	\$3,274
01526EP3HCT286V-W22	A-185	\$3,274
01526EP3PCT286VF1-W2	A-186	\$3,274
01526EP3PCT286V-W22	A-186	\$3,274
01526EP3QCT286VF1-W2	A-186	\$3,274
01526EP3QCT286V-W22	A-186	\$3,274
01530EP3OFP254T-W22	A-230	\$1,788
01536AP1DGD215TZ-S	A-254	\$2,024
01536AP3EGD215TZ-S	A-254	\$1,408
01536EG3E254T-W22	A-80	\$2,006
01536ET3E215HP-W22	A-233	\$2,240
01536ET3E215JM-S	A-204	\$2,058
01536ET3E215JM-SG	A-220	\$2,258
01536ET3E215JM-W22	A-204	\$2,058
01536ET3E215JP-S	A-207	\$2,099
01536ET3E215JP-W22	A-207	\$2,099
01536ET3E215TC-W22	A-44	\$1,748
01536ET3E215T-W22	A-36	\$1,697
01536ET3E254HP-W22	A-233	\$2,462
01536ET3E254JM-S	A-204	\$2,214
01536ET3E254JM-SG	A-220	\$2,909
01536ET3E254JM-W22	A-204	\$2,214
01536ET3E254JP-S	A-207	\$2,629
01536ET3E254JP-SG	A-221	\$2,909
01536ET3E254JP-W22	A-207	\$2,629
01536ET3E254TC-SG	A-173	\$1,929
01536ET3E254TC-W22	A-44; A-93	\$1,893
01536ET3E254T-S	A-36; A-87	\$1,589
01536ET3E254T-SG	A-173	\$1,869



Part Number	Page(s)	Price
01536ET3E254T-W22	A-36; A-87	\$1,824
01536ET3EBM254T-W22	A-69; A-267	\$4,745
01536ET3ER254TC-S	A-47; A-95	\$1,649
01536ET3ER254TC-W22	A-47	\$1,950
01536ET3H215JM-S	A-204	\$2,058
01536ET3H215JM-SG	A-220	\$2,258
01536ET3H215JM-W22	A-204	\$2,058
01536ET3H215JP-S	A-207	\$2,099
01536ET3H254JM-S	A-204	\$2,214
01536ET3H254JM-SG	A-220	\$2,909
01536ET3H254JM-W22	A-204	\$2,214
01536ET3H254JP-W22	A-207	\$2,629
01536ET3H254TC-S	A-44; A-93	\$1,649
01536ET3H254TC-W22	A-44; A-93	\$1,893
01536ET3H254T-S	A-36	\$1,589
01536ET3H254T-SG	A-173	\$1,869
01536ET3H254T-W22	A-36; A-87	\$1,824
01536ET3V215JM-S	A-204	\$2,058
01536ET3V254JM-S	A-204	\$2,214
01536ET3V254JP-S	A-207	\$2,629
01536ET3Y160M-W22	A-76; A-109; A-239	\$2,413
015360P3EFP215JMV-S	A-228	\$1,617
015360P3EFP215JPV-S	A-229	\$1,617
015360P3EFP215TC-S	A-227	\$1,283
015360P3HFP215JMV-S	A-228	\$1,617
015360P3HFP215JPV-S	A-229	\$1,617
015360P3VFP215JMV-S	A-228	\$1,617
015360P3VFP215JPV-S	A-229	\$1,617
015360P3VFP215TC-S	A-227	\$1,283
015360T3E215JM-S	A-212	\$1,707
015360T3E215JM-SG	A-222	\$1,907
015360T3E215JMV-S	A-214	\$1,789
015360T3E215JP-S	A-216	\$1,707
015360T3E215JP-SG	A-223	\$1,907
015360T3E215JPV-S	A-218	\$1,789
015360T3E215TC-S	A-57	\$1,543
015360T3E215TC-SG	A-177	\$1,743
015360T3E215T-S	A-51	\$1,492
015360T3E215T-SG	A-177	\$1,692
015360T3H215JM-S	A-212	\$1,707
015360T3H215JM-SG	A-222	\$1,907
015360T3H215JMV-S	A-214	\$1,789
015360T3H215JP-S	A-216	\$1,707
015360T3H215JP-SG	A-223	\$1,907
015360T3H215JPV-S	A-218	\$1,789
015360T3H215TC-S	A-57	\$1,543
015360T3H215T-S	A-51	\$1,492
015360T3V215JM-S	A-212	\$1,707
015360T3V215JMV-S	A-214	\$1,789
015360T3V215JP-S	A-216	\$1,707
015360T3V215JPV-S	A-218	\$1,789

Part Number	Page(s)	Price
015360T3V215TC-S	A-57	\$1,543
01536ST3HIE254T-W22	A-63; A-98	\$2,428
01536ST3QIE254TC-W22	A-66; A-101	\$2,548
01536ST3QIE254T-W22	A-63; A-98	\$2,428
01536XT3E254T	A-116	\$2,387
01536XT3E254TC	A-119	\$2,490
01536XT3H254T	A-116	\$2,387
01589EP3HCT254VF1-W2	A-186	\$2,572
01589EP3HCT254V-W22	A-186	\$2,572
01589EP3PCT254VF1-W2	A-186	\$2,572
01589EP3PCT254V-W22	A-186	\$2,572
01589EP3PCT284V2F1-W	A-186	\$3,878
01589EP3PCT284V2-W22	A-186	\$3,878
01589EP3QCT254VF1-W2	A-186	\$2,572
01589EP3QCT254V-W22	A-186	\$2,572
01589EP3QCT284V2F1-W	A-186	\$3,878
01589EP3QCT284V2-W22	A-186	\$3,878
01809ET3Y225S/M-W22	A-76; A-109; A-239	\$5,902
01812ET3Y200L-W22	A-76; A-109; A-239	\$4,886
01818ET3Y180M-W22	A-76; A-109; A-239	\$2,689
01836ET3Y160L-W22	A-76; A-109; A-239	\$2,925
02009ES3EOW326T-W22	A-261	\$4,872
02009ET3E286T-W22	A-36	\$5,854
02009ET3E324T-W22	A-36; A-87	\$6,339
02009ET3H324T-W22	A-36; A-87	\$6,339
02009ST3QIE324TC-W22	A-66; A-101	\$8,494
02009ST3QIE324T-W22	A-63; A-98	\$8,269
02009XT3E324T	A-116	\$8,390
02012EG3E286T-W22	A-80	\$4,358
02012ES3EOW286T-W22	A-261	\$3,162
02012ET3E286JM-W22	A-204	\$4,940
02012ET3E286JP-W22	A-207	\$5,015
02012ET3E286TC-W22	A-44	\$4,060
02012ET3E286T-W22	A-36; A-87	\$3,962
02012ET3E286T-W22G	A-173	\$4,272
02012ET3ECT286T-W22	A-181	\$4,635
02012ET3EPM284/6Y-W2	A-189	\$4,437
02012ET3H286T-W22	A-36; A-87	\$3,962
02012ET3H286T-W22G	A-173	\$4,272
02012ET3PCT286T-W22	A-181	\$4,635
020120T3E286JM-W40	A-212	\$3,872
020120T3E286JP-W40	A-216	\$3,871
020120T3E286TC-W40	A-57	\$3,119
020120T3E286T-W40	A-51	\$3,034
020120T3E286T-W40G	A-177	\$3,344
020120T3H286TC-W40	A-57	\$3,119
020120T3H286T-W40	A-51	\$3,034
02012ST3HIE286T-W22	A-63; A-98	\$4,773
02012ST3QIE286TC-W22	A-66; A-101	\$4,973
02012ST3QIE286T-W22	A-63; A-98	\$4,773
02012XT3E286T	A-116	\$4,444

Part Number	Page(s)	Price
02012XT3H286T	A-116	\$4,444
02015EP30FP256T-W22	A-231	\$2,157
02018AT3ECT256TF1-W2	A-184	\$2,625
02018AT3ECT256T-W22	A-184	\$2,625
02018AT3HCT256TF1-W2	A-184	\$2,625
02018AT3HCT256T-W22	A-184	\$2,625
02018AT3PCT256TF1-W2	A-184	\$2,625
02018AT3PCT256T-W22	A-184	\$2,625
02018EG3E256T-W22	A-80	\$2,421
02018ET3E256HP-W22	A-233	\$2,721
02018ET3E256JM-S	A-204	\$2,857
02018ET3E256JM-SG	A-220	\$3,188
02018ET3E256JM-W22	A-204	\$2,857
02018ET3E256JP-S	A-207	\$2,908
02018ET3E256JP-SG	A-221	\$3,188
02018ET3E256JP-W22	A-208	\$2,908
02018ET3E256TC-SG	A-173	\$2,258
02018ET3E256TC-W22	A-44; A-93	\$2,270
02018ET3E256T-S	A-36; A-87	\$1,918
02018ET3E256T-SG	A-173	\$2,198
02018ET3E256T-W22	A-36; A-87	\$2,201
02018ET3EBM256T-S	A-71; A-269	\$9,080
02018ET3EBM256T-W22	A-69; A-267	\$5,771
02018ET3ECT256TF1-W2	A-181	\$2,549
02018ET3ECT256T-W22	A-181	\$2,549
02018ET3EID256TC-W22	A-255	\$2,349
02018ET3ER256TC-S	A-47	\$1,978
02018ET3ER256TC-W22	A-47; A-95	\$2,338
02018ET3H256JM-S	A-204	\$2,857
02018ET3H256JM-SG	A-220	\$3,188
02018ET3H256JM-W22	A-204	\$2,857
02018ET3H256JP-S	A-208	\$2,908
02018ET3H256JP-W22	A-208	\$2,908
02018ET3H256TC-S	A-44; A-94	\$1,978
02018ET3H256TC-W22	A-44; A-94	\$2,270
02018ET3H256T-S	A-36	\$1,918
02018ET3H256T-SG	A-173	\$2,198
02018ET3H256T-W22	A-36; A-87	\$2,201
02018ET3HCT256TF1-W2	A-181	\$2,549
02018ET3HCT256T-W22	A-181	\$2,549
02018ET3P256T-W22	A-36	\$2,201
02018ET3PCT256TF1-W2	A-181	\$2,549
02018ET3PCT256T-W22	A-181	\$2,549
02018ET3V256JM-S	A-204	\$2,857
02018ET3V256JP-S	A-208	\$2,908
02018ET3V256T-SG	A-173	\$2,198
02018NT3FVD256TC-W22	A-107; A-258	\$3,747
02018OP3EFP256JPV-S	A-229	\$2,205
02018OP3EFP256T-W40	A-223	\$1,526
02018OT3E256JM-S	A-212	\$2,413
02018OT3E256JM-SG	A-222	\$2,693

Part Number	Page(s)	Price
02018OT3E256JMV-S	A-214	\$2,580
02018OT3E256JM-W40	A-212	\$2,413
02018OT3E256JP-S	A-216	\$2,413
02018OT3E256JP-SG	A-223	\$2,693
02018OT3E256JPV-S	A-218	\$2,580
02018OT3E256JP-W40	A-216	\$2,413
02018OT3E256TC-S	A-58	\$1,900
02018OT3E256TC-SG	A-177	\$2,180
02018OT3E256TC-W40	A-58	\$1,900
02018OT3E256T-S	A-52	\$1,832
02018OT3E256T-SG	A-177	\$2,112
02018OT3E256T-W40	A-52	\$1,832
02018OT3ECD256T*	A-264	\$1,869
02018OT3ECD256T-W40	A-264	\$1,869
02018OT3H256JM-S	A-212	\$2,413
02018OT3H256JM-SG	A-222	\$2,693
02018OT3H256JM-W40	A-212	\$2,413
02018OT3H256JP-S	A-216	\$2,413
02018OT3H256JP-W40	A-216	\$2,413
02018OT3H256TC-S	A-58	\$1,900
02018OT3H256TC-W40	A-58	\$1,900
02018OT3H256T-S	A-52; A-264	\$1,832
02018OT3H256T-SG	A-177	\$2,112
02018OT3H256T-W40	A-52	\$1,832
02018OT3P256T-S	A-52	\$1,832
02018OT3P256T-W40	A-52	\$1,832
02018OT3V256TC-S	A-58	\$1,900
02018OT3V256TC-SG	A-177	\$2,180
02018OT3V256TC-W40	A-58	\$1,900
02018OT3V256T-S	A-52	\$1,832
02018OT3V256T-SG	A-177	\$2,112
02018ST3HIE256T-W22	A-63; A-98	\$2,597
02018ST3QIE256TC-W22	A-66; A-101	\$2,717
02018ST3QIE256T-W22	A-63; A-98	\$2,597
02018XT3E256T	A-116	\$3,008
02018XT3E256TC	A-119	\$3,331
02018XT3ER256TC	A-120	\$3,391
02018XT3H256T	A-116	\$3,008
02018XT3H256TC	A-119	\$3,111
02026EP3QCT324V-W22	A-186	\$4,101
02030EP30FP256T-W22	A-231	\$2,334
02036EG3E256T-W22	A-80	\$2,620
02036ET3E254HP-W22	A-233	\$2,738
02036ET3E256HP-W22	A-233	\$2,955
02036ET3E256JM-S	A-204	\$2,965
02036ET3E256JM-SG	A-220	\$3,298
02036ET3E256JM-W22	A-204	\$2,965
02036ET3E256JP-S	A-208	\$3,018
02036ET3E256JP-SG	A-221	\$3,298
02036ET3E256JP-W22	A-208	\$3,018

Part Number	Page(s)	Price
02036ET3E256TC-SG	A-173	\$2,416
02036ET3E256TC-W22	A-44	\$2,451
02036ET3E256T-S	A-36; A-87	\$2,076
02036ET3E256T-SG	A-173	\$2,356
02036ET3E256T-W22	A-36; A-87	\$2,382
02036ET3EBM256T-W22	A-69; A-267	\$5,768
02036ET3ER256TC-S	A-47	\$2,136
02036ET3ER256TC-W22	A-47; A-95	\$2,525
02036ET3H256JM-S	A-204	\$2,965
02036ET3H256JM-SG	A-220	\$3,298
02036ET3H256JM-W22	A-204	\$2,965
02036ET3H256JP-S	A-208	\$3,018
02036ET3H256JP-W22	A-208	\$3,018
02036ET3H256TC-S	A-44; A-94	\$2,136
02036ET3H256TC-W22	A-44; A-94	\$2,451
02036ET3H256T-S	A-36	\$2,076
02036ET3H256T-SG	A-173	\$2,356
02036ET3H256T-W22	A-36; A-87	\$2,382
02036ET3V256JM-S	A-204	\$2,965
02036OP3EFP254JMV-S	A-228	\$2,092
02036OP3EFP254JPV-S	A-229	\$2,092
02036OP3EFP254TC-S	A-227	\$1,469
02036OP3EFP254TC-W40	A-227	\$1,469
02036OP3EFP254T-W40	A-223	\$1,469
02036OP3HFP254JMV-S	A-228	\$2,092
02036OP3HFP254JPV-S	A-229	\$2,092
02036OP3HFP254TC-S	A-227	\$1,469
02036OP3HFP254TC-W40	A-227	\$1,469
02036OP3VFP254JMV-S	A-228	\$2,092
02036OP3VFP254JPV-S	A-229	\$2,092
02036OP3VFP254TC-S	A-227	\$1,469
02036OP3VFP254TC-W40	A-227	\$1,469
02036OT3E254JM-S	A-212	\$2,107
02036OT3E254JM-SG	A-222	\$2,387
02036OT3E254JMV-S	A-214	\$2,205
02036OT3E254JM-W40	A-212	\$2,107
02036OT3E254JP-S	A-216	\$2,106
02036OT3E254JP-SG	A-223	\$2,387
02036OT3E254JPV-S	A-218	\$2,204
02036OT3E254JP-W40	A-216	\$2,106
02036OT3E254TC-S	A-58	\$1,828
02036OT3E254TC-SG	A-177	\$2,108
02036OT3E254TC-W40	A-58	\$1,828
02036OT3E254T-S	A-52	\$1,760
02036OT3E254T-SG	A-177	\$2,040
02036OT3E254T-W40	A-52	\$1,760
02036OT3ECD254T-W40	A-264	\$1,795
02036OT3H254JM-S	A-212	\$2,107
02036OT3H254JM-SG	A-222	\$2,387
02036OT3H254JMV-S	A-214	\$2,205
02036OT3H254JM-W40	A-212	\$2,107

Part Number	Page(s)	Price
02036OT3H254JP-S	A-216	\$2,106
02036OT3H254JPV-S	A-218	\$2,204
02036OT3H254JP-W40	A-216	\$2,106
02036OT3H254TC-S	A-58	\$1,828
02036OT3H254TC-W40	A-58	\$1,828
02036OT3H254T-S	A-52; A-264	\$1,760
02036OT3H254T-W40	A-52	\$1,760
02036OT3V254JM-S	A-212	\$2,107
02036OT3V254JMV-S	A-214	\$2,205
02036OT3V254JM-W40	A-212	\$2,107
02036OT3V254JP-S	A-216	\$2,106
02036OT3V254JPV-S	A-218	\$2,204
02036OT3V254JP-W40	A-216	\$2,106
02036ST3HIE256T-W22	A-63; A-98	\$2,957
02036ST3QIE256TC-W22	A-66; A-101	\$3,077
02036ST3QIE256T-W22	A-63; A-98	\$2,957
02036XT3E256T	A-116	\$3,083
02036XT3H256T	A-116	\$3,083
02089EP3HCT256VF1-W2	A-186	\$2,923
02089EP3HCT256V-W22	A-186	\$2,923
02089EP3PCT256VF1-W2	A-186	\$2,923
02089EP3PCT256V-W22	A-186	\$2,923
02089EP3PCT286V2F1-W	A-186	\$4,827
02089EP3PCT286V2-W22	A-186	\$4,827
02089EP3QCT256VF1-W2	A-186	\$2,923
02089EP3QCT256V-W22	A-186	\$2,923
02089EP3QCT286V2F1-W	A-186	\$4,827
02089EP3QCT286V2-W22	A-186	\$4,827
02209ET3Y225S/M-W22	A-76; A-109; A-239	\$7,506
02212ET3Y200L-W22	A-76; A-109; A-239	\$4,924
02218ET3Y180L-W22	A-76; A-109; A-239	\$3,225
02236ET3Y180M-W22	A-76; A-109; A-239	\$3,492
02509ET3E326T-W22	A-36	\$7,315
02509ET3H326T-W22	A-36; A-87	\$7,315
02509ST3QIE326TC-W22	A-66; A-101	\$9,063
02509ST3QIE326T-W22	A-63; A-98	\$8,838
02509XT3E326T	A-116	\$10,512
02512AT3ECT324TF1-W2	A-184	\$5,709
02512AT3HCT324TF1-W2	A-184	\$5,709
02512EG3E324T-W22	A-80	\$5,211
02512ES3EOW324T-W22	A-261	\$3,887
02512ET3E324JM-W22	A-204	\$5,546
02512ET3E324JP-W22	A-208	\$5,972
02512ET3E324TC-W22	A-44	\$4,858
02512ET3E324T-W22	A-36; A-88	\$4,737
02512ET3E324T-W22G	A-173	\$5,137
02512ET3ECT324T-W22	A-181	\$5,543
02512ET3EPM324/6Y-W2	A-189	\$5,353
02512ET3H324T-W22	A-36; A-88	\$4,737
02512ET3H324T-W22G	A-173	\$5,137
02512ET3PCT324T-W22	A-181	\$5,543

Part Number	Page(s)	Price
025120T3E324JM-W40	A-212	\$4,306
025120T3E324JP-W40	A-216	\$4,306
025120T3E324TC-W40	A-58	\$3,619
025120T3E324T-W40	A-52	\$3,519
025120T3E324T-W40G	A-177	\$3,919
02512ST3HIE324T-W22	A-63; A-98	\$5,211
02512ST3QIE324TC-W22	A-66; A-101	\$5,436
02512ST3QIE324T-W22	A-63; A-98	\$5,211
02512XT3E324T	A-116	\$5,375
02512XT3H324T	A-116	\$5,375
02515EP30FP284TS-W22	A-231	\$2,688
02518AT3ECT284TF1-W2	A-184	\$3,333
02518AT3ECT284T-W22	A-184	\$3,333
02518AT3HCT284TF1-W2	A-184	\$3,333
02518AT3HCT284T-W22	A-184	\$3,333
02518AT3PCT284TF1-W2	A-184	\$3,333
02518AT3PCT284T-W22	A-184	\$3,333
02518EG3E284T-W22	A-80	\$3,017
02518ET3E284HPH-W22	A-233	\$3,624
02518ET3E284HP-W22	A-233	\$3,624
02518ET3E284JM-W22	A-204	\$3,734
02518ET3E284JP-W22	A-208	\$3,797
02518ET3E284TC-W22	A-44; A-94	\$2,840
02518ET3E284TS-W22	A-36; A-88	\$2,743
02518ET3E284T-W22	A-36; A-88	\$2,743
02518ET3E284T-W22G	A-173	\$3,053
02518ET3EBM284T-W22	A-69; A-267	\$6,796
02518ET3ECT284TF1-W2	A-181	\$3,236
02518ET3ECT284T-W22	A-181	\$3,236
02518ET3EID284TC-W22	A-255	\$2,947
02518ET3EPM284/6Y-W2	A-189	\$3,071
02518ET3ER284TC-W22	A-47	\$2,925
02518ET3H284JM-W22	A-204	\$3,734
02518ET3H284JP-W22	A-208	\$3,797
02518ET3H284TC-W22	A-44; A-94	\$2,840
02518ET3H284T-W22	A-36; A-88	\$2,743
02518ET3H284T-W22G	A-173	\$3,053
02518ET3HCT284TF1-W2	A-181	\$3,236
02518ET3HCT284T-W22	A-181	\$3,236
02518ET3PCT284TF1-W2	A-181	\$3,236
02518ET3PCT284T-W22	A-181	\$3,236
02518ET3V284T-W22G	A-173	\$3,053
025180P3EFP284JPV-W4	A-229	\$2,768
025180P3EFP284TS-W40	A-225	\$1,799
025180P3VFP284TS-W40	A-225	\$1,799
025180T3E284JMV-W40	A-214	\$3,137
025180T3E284JM-W40	A-212	\$2,912
025180T3E284JP-G	A-223	\$3,221
025180T3E284JPV-W40	A-218	\$3,137
025180T3E284JP-W40	A-216	\$2,911
025180T3E284TC-W40	A-58	\$2,245

Part Number	Page(s)	Price
025180T3E284TC-W40G	A-177	\$2,555
025180T3E284TS-W40	A-52	\$2,160
025180T3E284T-W40	A-52	\$2,160
025180T3E284T-W40G	A-177	\$2,470
025180T3H284JM-W40	A-212	\$2,912
025180T3H284JP-W40	A-216	\$2,911
025180T3H284TC-W40	A-58	\$2,245
025180T3H284TS-W40	A-52	\$2,160
025180T3H284T-W40	A-52	\$2,160
025180T3H284T-W40G	A-177	\$2,470
025180T3P284T-W40	A-52	\$2,160
025180T3V284TC-W40	A-58	\$2,245
025180T3V284TS-W40	A-52	\$2,160
025180T3V284T-W40G	A-177	\$2,470
02518ST3HIE284T-W22	A-63; A-98	\$2,926
02518ST3QIE284TC-W22	A-66; A-101	\$3,126
02518ST3QIE284T-W22	A-63; A-98	\$2,926
02518XT3E284T	A-116	\$3,886
02518XT3E284TC	A-119	\$4,262
02518XT3ER284TC	A-120	\$4,340
02518XT3H284T	A-116	\$3,886
02518XT3H284TC	A-119	\$4,262
02526EP30CT326V-W22	A-186	\$6,222
02530EP30FP284TS-W22	A-231	\$2,938
02536EG3E284TS-W22	A-80	\$3,298
02536ET3E256HP-W22	A-233	\$3,336
02536ET3E256JM-S	A-204	\$3,231
02536ET3E256JM-W22	A-204	\$3,231
02536ET3E256JP-S	A-208	\$3,296
02536ET3E256JP-W22	A-208	\$3,296
02536ET3E256T-S	A-36; A-88	\$2,487
02536ET3E284HPH-W22	A-233	\$3,627
02536ET3E284HP-W22	A-233	\$3,627
02536ET3E284JM-W22	A-204	\$3,619
02536ET3E284JP-W22	A-208	\$3,679
02536ET3E284TSC-W22	A-44; A-94	\$3,096
02536ET3E284TS-W22	A-36; A-88	\$2,998
02536ET3E284TS-W22G	A-173	\$3,308
02536ET3ER284TSC-W22	A-47; A-95	\$3,187
02536ET3H256JM-S	A-204	\$3,231
02536ET3H256JM-W22	A-204	\$3,231
02536ET3H256JP-S	A-208	\$3,296
02536ET3H256JP-W22	A-208	\$3,296
02536ET3H284JM-W22	A-204	\$3,619
02536ET3H284JP-W22	A-208	\$3,679
02536ET3H284TSC-W22	A-44; A-94	\$3,096
02536ET3H284TS-W22	A-36	\$2,998
02536ET3H284TS-W22G	A-173	\$3,308
02536ET3V256JM-S	A-204	\$3,231
025360P3EFP256JMV-S	A-228	\$2,352
025360P3EFP256JPV-S	A-229	\$2,518

Part Number	Page(s)	Price
025360P3EFP256TC-S	A-227	\$1,783
025360P3EFP256TC-W40	A-227	\$1,783
025360P3EFP256T-S	A-225	\$1,783
025360P3EFP256T-W40	A-225	\$1,783
025360P3HFP256JMV-S	A-228	\$2,352
025360P3HFP256JPV-S	A-229	\$2,518
025360P3HFP256T-S	A-225	\$1,783
025360P3HFP256T-W40	A-225	\$1,783
025360P3VFP256JMV-S	A-228	\$2,352
025360P3VFP256JPV-S	A-229	\$2,518
025360P3VFP256TC-S	A-227	\$1,783
025360P3VFP256TC-W40	A-227	\$1,783
025360P3VFP256T-S	A-225	\$1,783
025360T3E256JM-S	A-212	\$2,598
025360T3E256JM-SG	A-222	\$2,879
025360T3E256JMV-S	A-214	\$2,696
025360T3E256JM-W40	A-212	\$2,598
025360T3E256JP-S	A-216	\$2,599
025360T3E256JP-SG	A-223	\$2,879
025360T3E256JPV-S	A-218	\$2,697
025360T3E256JP-W40	A-216	\$2,599
025360T3E256TC-S	A-58	\$2,207
025360T3E256TC-SG	A-177	\$2,487
025360T3E256TC-W40	A-58	\$2,207
025360T3E256T-S	A-52	\$2,139
025360T3E256T-SG	A-177	\$2,419
025360T3E256T-W40	A-52	\$2,139
025360T3ECD256T-W40	A-264	\$2,182
025360T3H256JM-S	A-212	\$2,598
025360T3H256JM-SG	A-222	\$2,879
025360T3H256JMV-S	A-214	\$2,696
025360T3H256JM-W40	A-212	\$2,598
025360T3H256JP-S	A-216	\$2,599
025360T3H256JPV-S	A-218	\$2,697
025360T3H256JP-W40	A-216	\$2,599
025360T3H256TC-S	A-58	\$2,207
025360T3H256TC-W40	A-58	\$2,207
025360T3H256T-S	A-52; A-264	\$2,139
025360T3H256T-W40	A-52	\$2,139
025360T3V256JMV-S	A-214	\$2,696
025360T3V256JP-S	A-216	\$2,599
025360T3V256JPV-S	A-218	\$2,697
025360T3V256JP-W40	A-216	\$2,599
02536ST3HIE284TS-W22	A-63; A-98	\$3,368
02536ST3QIE284TSC-W2	A-66; A-101	\$3,568
02536ST3QIE284TS-W22	A-63; A-98	\$3,368
02536XT3E284TS	A-116	\$4,188
02536XT3H284TS	A-116	\$4,188
02589EP3HCT286VF1-W2	A-186	\$4,199
02589EP3HCT286V-W22	A-186	\$4,199
02589EP3PCT286VF1-W2	A-186	\$4,199

Part Number	Page(s)	Price
02589EP3PCT324V2F1-W	A-186	\$5,826
02589EP3PCT324V2-W22	A-186	\$5,826
02589EP3QCT286VF1-W2	A-186	\$4,199
02589EP3QCT286V-W22	A-186	\$4,199
02589EP3QCT324V2F1-W	A-186	\$5,826
02589EP3QCT324V2-W22	A-186	\$5,826
03009ET3E364T-W22	A-36; A-88	\$11,215
03009ET3Y250S/M-W22	A-76; A-109; A-239	\$8,858
03009ST3QIE364TC-W22	A-66; A-101	\$13,524
03009ST3QIE364T-W22	A-63; A-98	\$13,149
03009XT3E364T	A-116	\$15,071
03012AT3PCT326TF1-W2	A-184	\$6,246
03012EG3E326T-W22	A-80	\$5,800
03012ES3E0W326T-W22	A-261	\$4,515
03012ET3E326JM-W22	A-204	\$6,686
03012ET3E326JP-W22	A-208	\$6,690
03012ET3E326TC-W22	A-44; A-94	\$5,394
03012ET3E326TC-W22G	A-173	\$5,794
03012ET3E326T-W22	A-36; A-88	\$5,273
03012ET3E326T-W22G	A-173	\$5,673
03012ET3ECT326T-W22	A-181	\$6,064
03012ET3EPM324/GY-W2	A-189	\$5,906
03012ET3ER326TSC-W22	A-47; A-95	\$5,768
03012ET3H326T-W22	A-37; A-88	\$5,273
03012ET3H326T-W22G	A-174	\$5,673
03012ET3PCT326T-W22	A-181	\$6,064
03012ET3Y225S/M-W22	A-76; A-109; A-239	\$7,689
03012OT3E326JM-W40	A-212	\$4,741
03012OT3E326JP-W40	A-216	\$4,980
03012OT3E326TC-W40	A-58	\$3,990
03012OT3E326T-W40	A-52	\$3,890
03012OT3E326T-W40G	A-177	\$4,290
03012OT3H326T-W40	A-52	\$3,890
03012ST3HIE326T-W22	A-63; A-98	\$5,359
03012ST3QIE326TC-W22	A-66; A-101	\$5,584
03012ST3QIE326T-W22	A-63; A-98	\$5,359
03012XT3E326T	A-116	\$6,196
03012XT3H326T	A-116	\$6,196
03015EP30FP286TS-W22	A-231	\$3,159
03018AT3ECT286TF1-W2	A-184	\$3,850
03018AT3ECT286T-W22	A-184	\$3,850
03018AT3HCT286TF1-W2	A-184	\$3,850
03018AT3HCT286T-W22	A-184	\$3,850
03018AT3PCT286TF1-W2	A-184	\$3,850
03018AT3PCT286T-W22	A-184	\$3,850
03018EG3E286T-W22	A-80	\$3,545
03018ET3E286HPH-W22	A-233	\$3,967
03018ET3E286HP-W22	A-233	\$3,967
03018ET3E286JM-W22	A-204	\$4,096
03018ET3E286JP-W22	A-208	\$4,167
03018ET3E286TC-W22	A-44; A-94	\$3,321

Part Number	Page(s)	Price
03018ET3E286TC-W22G	A-174	\$3,632
03018ET3E286TS-W22	A-37; A-88	\$3,223
03018ET3E286T-W22	A-37; A-88	\$3,223
03018ET3E286T-W22G	A-174	\$3,533
03018ET3EBM286T-W22	A-69; A-267	\$7,276
03018ET3ECT286TF1-W2	A-182	\$3,738
03018ET3ECT286T-W22	A-182	\$3,738
03018ET3EPM284/6Y-W2	A-189	\$3,610
03018ET3ER286TC-W22	A-47; A-95	\$3,421
03018ET3H286JM-W22	A-204	\$4,096
03018ET3H286JP-W22	A-208	\$4,167
03018ET3H286TC-W22	A-44; A-94	\$3,321
03018ET3H286T-W22	A-37; A-88	\$3,223
03018ET3H286T-W22G	A-174	\$3,533
03018ET3HCT286TF1-W2	A-182	\$3,738
03018ET3HCT286T-W22	A-182	\$3,738
03018ET3PCT286TF1-W2	A-182	\$3,738
03018ET3PCT286T-W22	A-182	\$3,738
03018ET3V286T-W22G	A-174	\$3,533
03018ET3Y200L-W22	A-77; A-109; A-240	\$4,312
030180P3EFP286JMV-W4	A-228	\$3,175
030180P3EFP286JPV-W4	A-229	\$3,224
030180P3EFP286TS-W40	A-225	\$2,108
030180P3HFP286JMV-W4	A-228	\$3,403
030180P3VFP286JPV-W4	A-229	\$3,174
030180P3VFP286TS-W40	A-225	\$2,108
030180T3E286JM-W40	A-212	\$3,368
030180T3E286JPV-W40	A-218	\$3,609
030180T3E286JP-W40	A-216	\$3,367
030180T3E286TC-W40	A-58	\$2,615
030180T3E286TC-W40G	A-177	\$2,925
030180T3E286TS-W40	A-52	\$2,530
030180T3E286T-W40	A-52	\$2,530
030180T3E286T-W40G	A-178	\$2,840
030180T3H286JMV-W40	A-214	\$3,610
030180T3H286JM-W40	A-212	\$3,368
030180T3H286JP-W40	A-216	\$3,367
030180T3H286TC-W40	A-58	\$2,615
030180T3H286TS-W40	A-52	\$2,530
030180T3H286T-W40	A-52	\$2,530
030180T3H286T-W40G	A-178	\$2,840
030180T3P286T-W40	A-52	\$2,530
030180T3V286JP-W40	A-216	\$3,367
030180T3V286TC-W40	A-58	\$2,615
030180T3V286TS-W40	A-52	\$2,590
030180T3V286T-W40G	A-178	\$2,840
03018ST3HIE286T-W22	A-63; A-98	\$3,509
03018ST3QIE286TC-W22	A-66; A-101	\$3,709
03018ST3QIE286T-W22	A-63; A-98	\$3,509
03018XT3E286T	A-116	\$4,296
03018XT3E286TC	A-120	\$4,672

Part Number	Page(s)	Price
03018XT3ER286TC	A-120	\$4,758
03018XT3H286T	A-116	\$4,296
03026EP3OCT364V-W22	A-186	\$7,435
03030EP3OFP286TS-W22	A-231	\$3,490
03036EG3E286TS-W22	A-80	\$3,917
03036ET3E284HP-W22	A-233	\$4,040
03036ET3E286HPH-W22	A-233	\$4,365
03036ET3E286HP-W22	A-233	\$4,365
03036ET3E286JM-W22	A-204	\$4,539
03036ET3E286JP-W22	A-208	\$4,614
03036ET3E286TSC-W22	A-44; A-94	\$3,659
03036ET3E286TS-W22	A-37; A-88	\$3,561
03036ET3E286TS-W22G	A-174	\$3,871
03036ET3ER286TSC-W22	A-47; A-95	\$3,767
03036ET3H286JM-W22	A-204	\$4,539
03036ET3H286JP-W22	A-208	\$4,614
03036ET3H286TSC-W22	A-44; A-94	\$3,659
03036ET3H286TS-W22	A-37; A-88	\$3,561
03036ET3H286TS-W22G	A-174	\$3,871
03036ET3Y200L-W22	A-77; A-109; A-240	\$4,877
030360P3EFP284JMV-W4	A-228	\$2,954
030360P3EFP284JPV*	A-229	\$3,082
030360P3EFP284JPV-W4	A-229	\$3,082
030360P3EFP284TSC-W4	A-227	\$2,033
030360P3EFP284TS-W40	A-225	\$2,033
030360P3HFP284JMV*	A-228	\$3,181
030360P3HFP284JMV-W4	A-228	\$3,181
030360P3HFP284JPV-W4	A-229	\$3,181
030360P3HFP284TS-W40	A-225	\$2,033
030360P3VFP284JMV-W4	A-228	\$2,954
030360P3VFP284JPV*	A-229	\$3,082
030360P3VFP284JPV-W4	A-229	\$3,082
030360P3VFP284TSC-W4	A-227	\$2,033
030360P3VFP284TS-W40	A-225	\$2,033
030360T3E284JM-W40	A-212	\$3,185
030360T3E284JPV*	A-218	\$3,422
030360T3E284JPV-W40	A-218	\$3,422
030360T3E284JP-W40	A-216	\$3,185
030360T3E284TSC-W40	A-58	\$2,572
030360T3E284TS-W40	A-52	\$2,487
030360T3E284TS-W40G	A-178	\$2,797
030360T3H284JMV-W40	A-214	\$3,422
030360T3H284JM-W40	A-212	\$3,185
030360T3H284JPV-W40	A-218	\$3,422
030360T3H284JP-W40	A-216	\$3,185
030360T3H284TSC-W40	A-58	\$2,572
030360T3V284JM-W40	A-212	\$3,185
030360T3V284JPV*	A-218	\$3,422
030360T3V284JPV-W40	A-218	\$3,422
030360T3V284JP-W40	A-216	\$3,185



Part Number	Page(s)	Price
030360T3V284TSC-W40	A-58	\$2,572
030360T3V284TS-W40	A-52	\$2,487
03036ST3HIE286TS-W22	A-63; A-98	\$3,799
03036ST3QIE286TSC-W2	A-66; A-101	\$3,999
03036ST3QIE286TS-W22	A-63; A-98	\$3,799
03036XT3E286TS	A-116	\$4,262
03036XT3H286TS	A-116	\$4,262
03089EP3HCT324VF1-W2	A-186	\$4,725
03089EP3HCT324V-W22	A-187	\$4,725
03089EP3PCT324VF1-W2	A-187	\$4,725
03089EP3PCT324V-W22	A-187	\$4,725
03089EP3PCT326V2F1-W	A-187	\$6,995
03089EP3PCT326V2-W22	A-187	\$6,995
03089EP3QCT324VF1-W2	A-187	\$4,725
03089EP3QCT324V-W22	A-187	\$4,725
03089EP3QCT326V2F1-W	A-187	\$6,995
03089EP3QCT326V2-W22	A-187	\$6,995
03709ET3Y280S/M-W22	A-77; A-109; A-240	\$11,751
03712ET3Y250S/M-W22	A-77; A-109; A-240	\$9,947
03718ET3Y225S/M-W22	A-77; A-109; A-240	\$6,984
03736ET3Y200L-W22	A-77; A-109; A-240	\$5,487
04009ET3E365T-W22	A-37; A-88	\$12,194
04009ST3QIE365TC-W22	A-67; A-102	\$15,284
04009ST3QIE365T-W22	A-63; A-98	\$14,909
04009XT3E365T	A-116	\$15,505
04012EG3E364T-W22	A-80	\$8,012
04012ES3EOW365T-W22	A-261	\$6,290
04012ET3E364JM-W22	A-204	\$8,807
04012ET3E364JP-W22	A-208	\$9,268
04012ET3E364TC-W22	A-44; A-94	\$7,576
04012ET3E364T-W22	A-37; A-88	\$7,284
04012ET3E364T-W22G	A-174	\$8,124
04012ET3ECT364T-W22	A-182	\$8,376
04012ET3H364T-W22	A-37; A-88	\$7,284
04012ET3H364T-W22G	A-174	\$8,124
04012ET3PCT364T-W22	A-182	\$8,376
040120T3E364JM-W40	A-212	\$6,696
040120T3E364JP-W40	A-216	\$7,444
040120T3E364TC-W40	A-58	\$5,938
040120T3E364T-W40	A-52	\$5,544
040120T3E364T-W40G	A-178	\$6,384
040120T3H364T-W40	A-52	\$5,544
04012ST3HIE364T-W22	A-63; A-98	\$8,636
04012ST3QIE364TC-W22	A-67; A-102	\$9,011
04012ST3QIE364T-W22	A-63; A-98	\$8,636
04012XT3E364T	A-116	\$10,576
04012XT3H364T	A-117	\$10,576
04015EP30FP324TS-W22	A-231	\$3,969
04018AT3ECT324TF1-W2	A-184	\$4,949
04018AT3ECT324T-W22	A-184	\$4,949
04018AT3HCT324TF1-W2	A-184	\$4,949

Part Number	Page(s)	Price
04018AT3HCT324T-W22	A-184	\$4,949
04018AT3PCT324TF1-W2	A-184	\$4,949
04018AT3PCT324T-W22	A-184	\$4,949
04018EG3E324T-W22	A-80	\$4,596
04018ET3E324HP-W22	A-233	\$5,247
04018ET3E324JM-W22	A-204	\$5,316
04018ET3E324JP-W22	A-208	\$5,413
04018ET3E324TC-W22	A-44; A-94	\$4,300
04018ET3E324TSC-W22	A-44; A-94	\$4,300
04018ET3E324TS-W22	A-37; A-88	\$4,178
04018ET3E324T-W22	A-37; A-88	\$4,178
04018ET3E324T-W22G	A-174	\$4,578
04018ET3ECT324TF1-W2	A-182	\$4,805
04018ET3ECT324T-W22	A-182	\$4,805
04018ET3EPM324/6Y-W2	A-189	\$4,638
04018ET3ER324TC-W22	A-47; A-95	\$4,429
04018ET3H324JM-W22	A-205	\$5,316
04018ET3H324JP-W22	A-208	\$5,413
04018ET3H324TC-W22	A-44; A-94	\$4,300
04018ET3H324T-W22	A-37; A-88	\$4,178
04018ET3H324T-W22G	A-174	\$4,578
04018ET3HCT324TF1-W2	A-182	\$4,805
04018ET3HCT324T-W22	A-182	\$4,805
04018ET3P324T-W22	A-37; A-88	\$4,178
04018ET3PCT324TF1-W2	A-182	\$4,805
04018ET3PCT324T-W22	A-182	\$4,805
04018ET3V324T-W22G	A-174	\$4,578
040180P3EFP324JMV-W4	A-228	\$3,621
040180P3EFP324JPV-W4	A-229	\$3,987
040180P3EFP324TC-W40	A-227	\$2,752
040180P3EFP324TS-W40	A-225	\$2,652
040180P3HFP324JMV-W4	A-228	\$3,621
040180P3HFP324JPV-W4	A-229	\$3,621
040180P3HFP324TS-W40	A-225	\$2,652
040180P3VFP324JPV*	A-229	\$3,987
040180P3VFP324JPV-W4	A-229	\$3,987
040180P3VFP324TS-W40	A-225	\$2,652
040180T3E324JMV-W40	A-214	\$4,431
040180T3E324JM-W40	A-212	\$3,797
040180T3E324JPV-W40	A-218	\$4,077
040180T3E324JP-W40	A-216	\$3,797
040180T3E324TC-W40	A-58	\$3,195
040180T3E324TC-W40G	A-178	\$3,595
040180T3E324TSC-W40	A-58	\$3,195
040180T3E324TS-W40	A-53	\$3,095
040180T3E324TS-W40G	A-178	\$3,372
040180T3E324T-W40	A-53	\$3,095
040180T3E324T-W40G	A-178	\$3,495
040180T3H324JM-W40	A-213	\$3,797
040180T3H324JP-W40	A-216	\$3,797
040180T3H324TC-W40	A-58	\$3,195

Part Number	Page(s)	Price
040180T3H324TS-W40	A-53	\$3,095
040180T3H324T-W40	A-53	\$3,095
040180T3H324T-W40G	A-178	\$3,495
040180T3P324T-W40	A-53	\$3,095
040180T3V324JPV-W40	A-218	\$4,077
040180T3V324JP-W40	A-216	\$3,797
040180T3V324TC-W40G	A-178	\$3,595
040180T3V324TS-W40	A-53	\$3,095
040180T3V324T-W40G	A-178	\$3,495
04018ST3HIE324T-W22	A-63; A-98	\$4,692
04018ST3QIE324TC-W22	A-67; A-102	\$4,917
04018ST3QIE324T-W22	A-63; A-98	\$4,692
04018XT3E324T	A-117	\$5,380
04018XT3E324TC	A-120	\$5,919
04018XT3ER324TC	A-120	\$6,027
04018XT3H324T	A-117	\$5,380
04026EP3QCT365VF1-W2	A-187	\$9,302
04026EP3QCT365V-W22	A-187	\$9,302
04030EP30FP324TS-W22	A-231	\$4,489
04036EG3E324TS-W22	A-80	\$5,198
04036ET3E286HP-W22	A-233	\$5,160
04036ET3E286JM-W22	A-205	\$5,368
04036ET3E286JP-W22	A-208	\$5,475
04036ET3E324HP-W22	A-233	\$5,457
04036ET3E324JM-W22	A-205	\$5,534
04036ET3E324JP-W22	A-208	\$5,628
04036ET3E324TSC-W22	A-44; A-94	\$4,845
04036ET3E324TS-W22	A-37; A-88	\$4,725
04036ET3E324TS-W22G	A-174	\$5,125
04036ET3ER324TSC-W22	A-47; A-95	\$4,988
04036ET3H286JM-W22	A-205	\$5,368
04036ET3H286JP-W22	A-208	\$5,475
04036ET3H324JM-W22	A-205	\$5,534
04036ET3H324JP-W22	A-208	\$5,628
04036ET3H324TSC-W22	A-44; A-94	\$4,845
04036ET3H324TS-W22	A-37; A-88	\$4,725
04036ET3H324TS-W22G	A-174	\$5,125
040360P3EFP286JMV-W4	A-228	\$3,611
040360P3EFP286JPV*	A-229	\$3,611
040360P3EFP286JPV-W4	A-229	\$3,611
040360P3EFP286TSC-W4	A-227	\$2,757
040360P3EFP286TS-W40	A-225	\$2,757
040360P3HFP286JMV-W4	A-228	\$3,611
040360P3HFP286JPV-W4	A-229	\$3,499
040360P3HFP286TSC-W4	A-227	\$2,757
040360P3HFP286TS-W40	A-225	\$2,757
040360P3VFP286JMV-W4	A-228	\$3,611
040360P3VFP286JPV*	A-229	\$3,611
040360P3VFP286JPV-W4	A-229	\$3,611
040360P3VFP286TSC-W4	A-227	\$2,757
040360P3VFP286TS-W40	A-225	\$2,757

Part Number	Page(s)	Price
040360T3E286JMV-W40	A-214	\$4,066
040360T3E286JM-W40	A-213	\$3,811
040360T3E286JPV*	A-218	\$4,066
040360T3E286JPV-W40	A-218	\$4,066
040360T3E286JP-W40	A-216	\$3,811
040360T3E286TSC-W40	A-58	\$3,393
040360T3E286TSC-W40G	A-178	\$3,703
040360T3E286TS-W40	A-53	\$3,308
040360T3E286TS-W40G	A-178	\$3,618
040360T3H286JMV*	A-214	\$4,066
040360T3H286JMV-W40	A-214	\$4,066
040360T3H286JM-W40	A-213	\$3,811
040360T3H286JP-W40	A-216	\$3,811
040360T3H286TSC*	A-58	\$3,393
040360T3H286TSC-W40	A-58	\$3,393
040360T3H286TS-W40	A-53	\$3,308
040360T3P286TS-W40	A-53	\$3,308
040360T3V286JPV*	A-218	\$4,066
040360T3V286JPV-W40	A-218	\$4,066
040360T3V286JP-W40	A-216	\$3,811
040360T3V286TS-W40	A-53	\$3,308
04036ST3HIE324TS-W22	A-63; A-98	\$5,306
04036ST3QIE324TSC-W2	A-67; A-102	\$5,531
04036ST3QIE324TS-W22	A-63; A-98	\$5,306
04036XT3E324TS	A-117	\$5,583
04036XT3H324TS	A-117	\$5,583
04089EP3HCT326VF1-W2	A-187	\$5,464
04089EP3HCT326V-W22	A-187	\$5,464
04089EP3PCT326VF1-W2	A-187	\$5,464
04089EP3PCT326V-W22	A-187	\$5,464
04089EP3PCT364V2F1-W	A-187	\$8,720
04089EP3PCT364V2-W22	A-187	\$8,720
04089EP3QCT326VF1-W2	A-187	\$5,464
04089EP3QCT326V-W22	A-187	\$5,464
04089EP3QCT364V2F1-W	A-187	\$8,720
04089EP3QCT364V2-W22	A-187	\$8,720
04509ET3Y280S/M-W22	A-77; A-109; A-240	\$12,815
04512ET3Y280S/M-W22	A-77; A-109; A-240	\$11,023
04518ET3Y225S/M-W22	A-77; A-109; A-240	\$7,391
04536ET3Y225S/M-W22	A-77; A-109; A-240	\$7,961
05009ET3E404T-W22	A-37; A-88	\$17,648
05009ET3EKD404T-W22	A-89; A-105	\$17,648
05009ST3QIE404TC-W22	A-67; A-102	\$19,856
05009ST3QIE404T-W22	A-63; A-98	\$19,331
05009XT3E404T	A-117	\$22,443
05012EG3E365T-W22	A-80	\$9,370
05012ES3E0W404T-W22	A-261	\$8,172
05012ET3E365JM-W22	A-205	\$10,551
05012ET3E365JP-W22	A-208	\$10,748
05012ET3E365TC-W22	A-44; A-94	\$8,960
05012ET3E365T-W22	A-37; A-88	\$8,518



Part Number	Page(s)	Price
05012ET3E365T-W22G	A-174	\$9,358
05012ET3ECT365T-W22	A-182	\$9,625
05012ET3H365T-W22	A-37; A-88	\$8,518
05012ET3H365T-W22G	A-174	\$9,358
05012ET3PCT365T-W22	A-182	\$9,625
050120T3E365JM-W40	A-213	\$7,666
050120T3E365JP-W40	A-216	\$7,666
050120T3E365TC-W40	A-58	\$6,786
050120T3E365T-W40	A-53	\$6,392
050120T3E365T-W40G	A-178	\$7,232
050120T3V365T-W40	A-53	\$6,392
05012ST3HIE365T-W22	A-63; A-98	\$9,369
05012ST3QIE365TC-W22	A-67; A-102	\$9,744
05012ST3QIE365T-W22	A-64; A-99	\$9,369
05012XT3E365T	A-117	\$10,597
05012XT3H365T	A-117	\$10,597
05015EP30FP326TS-W22	A-231	\$4,845
05018AT3ECT326T-W22	A-184	\$6,041
05018AT3HCT326T-W22	A-184	\$6,041
05018AT3PCT326T-W22	A-184	\$6,041
05018EG3E326T-W22	A-80	\$5,610
05018ET3E326HP-W22	A-233	\$6,009
05018ET3E326JM-W22	A-205	\$6,513
05018ET3E326JP-W22	A-208	\$6,624
05018ET3E326JP-W22G	A-221	\$7,024
05018ET3E326TC-W22	A-44; A-94	\$5,221
05018ET3E326TSC-W22	A-44; A-94	\$5,221
05018ET3E326TS-W22	A-37; A-88	\$5,100
05018ET3E326T-W22	A-37; A-88	\$5,100
05018ET3E326T-W22G	A-174	\$5,500
05018ET3ECT326TF1-W2	A-182	\$5,865
05018ET3ECT326T-W22	A-182	\$5,865
05018ET3EPM324/6Y-W2	A-189	\$5,661
05018ET3ER326TC-W22	A-47; A-95	\$5,378
05018ET3H326JM-W22	A-205	\$6,513
05018ET3H326JP-W22	A-208	\$6,624
05018ET3H326TC-W22	A-44; A-94	\$5,221
05018ET3H326T-W22	A-37; A-88	\$5,100
05018ET3H326T-W22G	A-174	\$5,500
05018ET3HCT326TF1-W2	A-182	\$5,865
05018ET3HCT326T-W22	A-182	\$5,865
05018ET3PCT326T-W22	A-182	\$5,865
05018ET3V326T-W22G	A-174	\$5,500
050180P3EFP326JMV-W4	A-228	\$4,393
050180P3EFP326JPV-W4	A-229	\$4,500
050180P3EFP326TC-W40	A-227	\$3,135
050180P3EFP326TS-W40	A-225	\$3,015
050180P3HFP326JMV-W4	A-228	\$4,527
050180P3HFP326JPV-W4	A-229	\$4,394
050180P3VFP326JPV-W4	A-230	\$4,500
050180P3VFP326TS-W40	A-225	\$3,015

Part Number	Page(s)	Price
050180T3E326JM-W40	A-213	\$4,877
050180T3E326JPV-W40	A-218	\$5,190
050180T3E326JP-W40	A-216	\$4,878
050180T3E326TC-G*	A-178	\$4,288
050180T3E326TC-W40	A-58	\$3,888
050180T3E326TC-W40G	A-178	\$4,288
050180T3E326TSC-W40	A-58	\$3,888
050180T3E326TS-W40	A-53	\$3,788
050180T3E326T-W40	A-53	\$3,788
050180T3E326T-W40G	A-178	\$4,188
050180T3G326TS-W40	A-53	\$3,788
050180T3H326JMV-W40	A-214	\$5,189
050180T3H326JM-W40	A-213	\$4,877
050180T3H326JP-W40	A-217	\$4,878
050180T3H326TC-W40	A-58	\$3,888
050180T3H326TS-W40	A-53	\$3,788
050180T3H326T-W40	A-53	\$3,788
050180T3H326T-W40G	A-178	\$4,188
050180T3P326T-W40	A-53	\$3,788
050180T3V326JPV-W40	A-218	\$5,190
050180T3V326TS-W40	A-53	\$3,788
050180T3V326T-W40G	A-178	\$4,188
05018ST3HIE326T-W22	A-64; A-99	\$5,233
05018ST3QIE326TC-W22	A-67; A-102	\$5,458
05018ST3QIE326T-W22	A-64; A-99	\$5,233
05018XT3E326T	A-117	\$6,545
05018XT3E326TC	A-120	\$7,084
05018XT3ER326TC	A-120	\$7,215
05018XT3H326T	A-117	\$6,545
05026EP3QCT365VF1-W2	A-187	\$11,051
05026EP3QCT365V-W22	A-187	\$11,051
05030EP30FP326TS-W22	A-231	\$5,050
05036EG3E326TS-W22	A-80	\$5,848
05036ET3E324HP-W22	A-233	\$6,461
05036ET3E326HP-W22	A-233	\$6,681
05036ET3E326JM-W22	A-205	\$6,622
05036ET3E326JP-W22	A-208	\$6,733
05036ET3E326TSC-W22	A-44; A-94	\$5,437
05036ET3E326TS-W22	A-37; A-88	\$5,316
05036ET3E326TS-W22G	A-174	\$5,716
05036ET3H326JP-W22	A-208	\$6,733
05036ET3H326TS-W22	A-37; A-88	\$5,316
05036ET3H326TS-W22G	A-174	\$5,716
050360P3EFP324JMV-W4	A-228	\$4,394
050360P3EFP324JPV*	A-230	\$4,372
050360P3EFP324JPV-W4	A-230	\$4,372
050360P3EFP324TSC-W4	A-227	\$3,184
050360P3EFP324TS-W40	A-225	\$3,184
050360P3HFP324JMV*	A-228	\$4,394
050360P3HFP324JMV-W4	A-228	\$4,394
050360P3HFP324JPV*	A-230	\$4,372

Part Number	Page(s)	Price
050360P3HFP324JPV-W4	A-230	\$4,372
050360P3HFP324TS-W40	A-225	\$3,184
050360P3JFP324TS-W40	A-225	\$3,184
050360P3VFP324JMV-W4	A-228	\$4,664
050360P3VFP324JPV*	A-230	\$4,372
050360P3VFP324JPV-W4	A-230	\$4,372
050360P3VFP324TSC-W4	A-227	\$3,184
050360P3VFP324TS-W40	A-225	\$3,184
050360T3E324JMV-W40	A-214	\$4,911
050360T3E324JM-W40	A-213	\$4,607
050360T3E324JPV*	A-219	\$4,911
050360T3E324JPV-W40	A-219	\$4,911
050360T3E324JP-W40	A-217	\$4,607
050360T3E324TSC-W40	A-58	\$3,920
050360T3E324TSC-W40G	A-178	\$4,197
050360T3E324TS-W40	A-53	\$3,820
050360T3E324TS-W40G	A-178	\$4,097
050360T3G324JM-W40	A-213	\$4,607
050360T3G324JP-W40	A-217	\$4,607
050360T3H324JMV-W40	A-214	\$4,911
050360T3H324JM-W40	A-213	\$4,607
050360T3H324JPV-W40	A-219	\$4,911
050360T3H324JP-W40	A-217	\$4,607
050360T3H324TSC*	A-58	\$3,920
050360T3H324TSC-W40	A-58	\$3,920
050360T3H324TS-W40	A-53	\$3,820
050360T3V324JMV-W40	A-214	\$4,911
050360T3V324JPV*	A-219	\$4,911
050360T3V324JPV-W40	A-219	\$4,911
050360T3V324JP-W40	A-217	\$4,607
050360T3V324TS-W40	A-53	\$3,820
05036ST3HIE326TS-W22	A-64; A-99	\$5,970
05036ST3QIE326TSC-W2	A-67; A-102	\$6,195
05036ST3QIE326TS-W22	A-64; A-99	\$5,970
05036XT3E326TS	A-117	\$6,582
05036XT3H326TS	A-117	\$6,582
05089EP3HCT364VF1-W2	A-187	\$7,526
05089EP3HCT364V-W22	A-187	\$7,526
05089EP3PCT364VF1-W2	A-187	\$7,526
05089EP3PCT364V-W22	A-187	\$7,526
05089EP3PCT365V2F1-W	A-187	\$11,093
05089EP3PCT365V2-W22	A-187	\$11,093
05089EP3QCT364VF1-W2	A-187	\$7,526
05089EP3QCT364V-W22	A-187	\$7,526
05089EP3QCT365V2F1-W	A-187	\$11,093
05089EP3QCT365V2-W22	A-187	\$11,093
05509ET3Y315S/M-W22	A-77; A-109; A-240	\$15,379
05512ET3Y280S/M-W22	A-77; A-109; A-240	\$13,622
05518ET3Y250S/M-W22	A-77; A-109; A-240	\$8,961
05536ET3Y250S/M-W22	A-77; A-109; A-240	\$9,847
06009ET3E405T-W22	A-37; A-88	\$20,443

Part Number	Page(s)	Price
06009ET3EKD405T-W22	A-95	\$20,443
06009ST3QIE405T-W22	A-64; A-99	\$22,579
06009XT3E405T	A-117	\$26,900
06012EG3E404T-W22	A-80	\$11,547
06012ES3E0W405T-W22	A-261	\$9,414
06012ET3E404JP-W22	A-208	\$12,444
06012ET3E404T-W22	A-37; A-88	\$10,497
06012ET3E404T-W22G	A-174	\$11,697
06012ET3ECT404T-W22	A-182	\$11,861
06012ET3ERB404T-W22	A-37; A-88	\$10,497
06012ET3G404T-W22	A-37; A-88	\$10,497
06012ET3H404T-W22	A-37; A-88; A-105	\$10,497
06012ET3H404T-W22G	A-174	\$11,697
06012ET3PCT404T-W22	A-182	\$11,861
060120T3E404JP-W40	A-217	\$9,462
060120T3E404T-W40	A-53	\$7,562
060120T3E404T-W40G	A-178	\$8,762
06012ST3HIE404T-W22	A-64; A-99	\$11,790
06012ST3QIE404TC-W22	A-67; A-102	\$12,315
06012ST3QIE404T-W22	A-64; A-99	\$11,790
06012XT3E404T	A-117	\$13,196
06012XT3H404T	A-117	\$13,196
06015EP30FP364TS-W22	A-231	\$7,020
06018AT3ECT364T-W22	A-184	\$8,752
06018EG3E364T-W22	A-80	\$8,128
06018ET3E364HP-W22	A-233	\$8,525
06018ET3E364JM-W22	A-205	\$8,912
06018ET3E364JP-W22	A-208	\$9,619
06018ET3E364TC-W22	A-44; A-94	\$7,831
06018ET3E364TS-W22	A-37; A-88	\$7,389
06018ET3E364T-W22	A-37; A-88	\$7,389
06018ET3E364T-W22G	A-174	\$8,229
06018ET3ECT364TF1-W2	A-182	\$8,497
06018ET3ECT364T-W22	A-182	\$8,497
06018ET3ER364TC-W22	A-47; A-95	\$8,053
06018ET3G364T-W22	A-37; A-88	\$7,389
06018ET3H364JM-W22	A-205	\$8,912
06018ET3H364JP-W22	A-208	\$9,619
06018ET3H364TC-W22	A-44; A-94	\$7,831
06018ET3H364T-W22	A-37; A-88	\$7,389
06018ET3H364T-W22G	A-174	\$8,229
06018ET3HCT364TF1-W2	A-182	\$8,497
06018ET3HCT364T-W22	A-182	\$8,497
06018ET3PCT364T-W22	A-182	\$8,497
060180P3EFP364JPV-W4	A-230	\$6,142
060180P3EFP364TS-W40	A-225	\$3,703
060180P3HFP364TS-W40	A-225	\$3,703
060180P3VFP364JPV-W4	A-230	\$6,142
060180P3VFP364TS-W40	A-225	\$3,703
060180T3E364JM-W40	A-213	\$5,994
060180T3E364JPV-W40	A-219	\$6,365

Part Number	Page(s)	Price
060180T3E364JP-W40	A-217	\$5,994
060180T3E364TC-W40	A-58	\$4,837
060180T3E364TC-W40G	A-178	\$5,677
060180T3E364TS-W40	A-53	\$4,443
060180T3E364T-W40	A-53	\$4,443
060180T3E364T-W40G	A-178	\$5,283
060180T3G364JM-W40	A-213	\$5,994
060180T3G364JP-W40	A-217	\$5,994
060180T3G364TS-W40	A-53	\$4,443
060180T3G364T-W40	A-53	\$4,443
060180T3H364JM-W40	A-213	\$5,994
060180T3H364JP-W40	A-217	\$5,994
060180T3H364TC-W40	A-58	\$4,837
060180T3H364TS-W40	A-53	\$4,443
060180T3H364T-W40	A-53	\$4,443
060180T3H364T-W40G	A-178	\$5,283
060180T3V364JPV-W40	A-219	\$6,365
060180T3V364TS-W40	A-53	\$4,443
06018ST3HIE364T-W22	A-64; A-99	\$8,044
06018ST3QIE364T-W22	A-64; A-99	\$8,044
06018XT3E364T	A-117	\$10,460
06018XT3E364TC	A-120	\$11,116
06018XT3H364T	A-117	\$10,460
06030EP30FP364TS-W22	A-231	\$7,174
06036EG3E364TS-W22	A-80	\$8,307
06036ET3E326HP-W22	A-233	\$8,632
06036ET3E326JM-W22	A-205	\$7,699
06036ET3E326JP-W22	A-208	\$7,853
06036ET3E364HP-W22	A-233	\$9,484
06036ET3E364JM-W22	A-205	\$8,261
06036ET3E364JP-W22	A-208	\$10,252
06036ET3E364TSC-W22	A-45; A-94	\$7,994
06036ET3E364TS-W22	A-37; A-88	\$7,552
06036ET3E364TS-W22G	A-174	\$8,392
06036ET3G364TS-W22	A-37; A-88	\$7,552
06036ET3H364JM-W22	A-205	\$8,261
06036ET3H364JP-W22	A-208	\$10,252
06036ET3H364TSC-W22	A-45; A-94	\$7,994
06036ET3H364TS-W22	A-37; A-88	\$7,552
06036ET3H364TS-W22G	A-174	\$8,392
060360P3EFP326JMV-W4	A-228	\$5,171
060360P3EFP326JPV*	A-230	\$5,105
060360P3EFP326JPV-W4	A-230	\$5,105
060360P3EFP326TSC-W4	A-227	\$4,448
060360P3EFP326TS-W40	A-225	\$4,008
060360P3HFP326JMV*	A-228	\$5,305
060360P3HFP326JMV-W4	A-228	\$5,305
060360P3HFP326JPV*	A-230	\$5,105
060360P3HFP326JPV-W4	A-230	\$5,105
060360P3HFP326TS-W40	A-225	\$4,008
060360P3JFP326TS-W40	A-225	\$4,008

Part Number	Page(s)	Price
060360P3VFP326JMV-W4	A-228	\$5,171
060360P3VFP326JPV*	A-230	\$5,105
060360P3VFP326JPV-W4	A-230	\$5,105
060360P3VFP326TS*	A-225	\$4,008
060360P3VFP326TS-W40	A-225	\$4,008
060360T3E326JM-W40	A-213	\$5,432
060360T3E326JPV*	A-219	\$5,761
060360T3E326JPV-W40	A-219	\$5,761
060360T3E326JP-W40	A-217	\$5,432
060360T3E326TSC*	A-58	\$4,681
060360T3E326TSC-W40	A-58	\$4,681
060360T3E326TS-W40	A-53	\$4,581
060360T3E326TS-W40G	A-178	\$4,858
060360T3G326JM-W40	A-213	\$5,432
060360T3G326JP-W40	A-217	\$5,432
060360T3G326TS-W40	A-53	\$4,581
060360T3H326JMV-W40	A-214	\$5,761
060360T3H326JM-W40	A-213	\$5,432
060360T3H326JP-W40	A-217	\$5,432
060360T3H326TS-W40	A-53	\$4,581
060360T3V326JPV*	A-219	\$5,761
060360T3V326JPV-W40	A-219	\$5,761
060360T3V326JP-W40	A-217	\$5,432
060360T3V326TS-W40	A-53	\$4,581
06036ST3HIE364TS-W22	A-64; A-99	\$8,665
06036ST3QIE364TS-W22	A-64; A-99	\$8,665
06036XT3E364TS	A-117	\$9,988
06036XT3H364TS	A-117	\$9,988
06089EP3PCT365VF1-W2	A-187	\$11,068
06089EP3PCT365V-W22	A-187	\$11,068
06089EP3QCT365VF1-W2	A-187	\$11,068
06089EP3QCT365V-W22	A-187	\$11,068
07509ET3E444T-W22	A-37; A-88	\$23,334
07509ET3GKD444T-W22	A-105	\$23,334
07509ET3QRB444TF2-W2	A-81	\$23,334
07509ET3Y315S/M-W22	A-77; A-109; A-240	\$18,647
07509ST3QIE444T-W22	A-64; A-99	\$23,457
07509XT3E444T	A-117	\$29,094
07512EG3E405T-W22	A-80	\$13,264
07512ES3E0W444T-W22	A-261	\$14,976
07512ET3E405JP-W22	A-208	\$14,005
07512ET3E405T-W22	A-37; A-88	\$12,058
07512ET3E405T-W22G	A-174	\$13,258
07512ET3ECT405T-W22	A-182	\$13,626
07512ET3ERB405T-W22	A-38; A-89	\$12,058
07512ET3G405T-W22	A-38; A-89	\$12,058
07512ET3GRB405T-W22	A-38; A-89; A-105	\$12,058
07512ET3H405TC-W22	A-45; A-94	\$12,549
07512ET3H405T-W22	A-38; A-89	\$12,058
07512ET3H405T-W22G	A-174	\$13,258
07512ET3PCT405T-W22	A-182	\$13,626

Part Number	Page(s)	Price
07512ET3Y315S/M-W22	A-77; A-109; A-240	\$16,479
075120T3E405JP-W40	A-217	\$9,762
075120T3E405T-W40	A-53	\$8,358
075120T3E405T-W40G	A-178	\$9,558
07512ST3HIE405T-W22	A-64; A-99	\$12,866
07512ST3QIE405T-W22	A-64; A-99	\$12,866
07512ST3QIERB405T-W2	A-64; A-99	\$12,866
07512XT3E405T	A-117	\$13,836
07515EP30FP365TS-W22	A-231	\$8,270
07518AT3ECT365T-W22	A-184	\$10,222
07518EG3E365T-W22	A-80	\$9,576
07518ET3E365HP-W22	A-233	\$9,352
07518ET3E365JM-W22	A-205	\$10,057
07518ET3E365JP-W22	A-208	\$10,235
07518ET3E365TC-W22	A-45; A-94	\$9,148
07518ET3E365TC-W22G	A-174	\$9,988
07518ET3E365TS-W22	A-38; A-89; A-105	\$8,705
07518ET3E365T-W22	A-38; A-89	\$8,705
07518ET3E365T-W22G	A-174	\$9,545
07518ET3ECT365TF1-W2	A-182	\$9,924
07518ET3ECT365T-W22	A-182	\$9,924
07518ET3ER365TC-W22	A-47; A-95	\$9,408
07518ET3G365T-W22	A-38; A-89	\$8,705
07518ET3H365JM-W22	A-205	\$10,057
07518ET3H365JP-W22	A-209	\$10,235
07518ET3H365TC-W22	A-45; A-94	\$9,148
07518ET3H365T-W22	A-38; A-89	\$8,705
07518ET3H365T-W22G	A-174	\$9,545
07518ET3HCT365T-W22	A-182	\$9,924
07518ET3PCT365T-W22	A-182	\$9,924
07518ET3Y280S/M-W22	A-77; A-109; A-240	\$12,353
075180P3EFP365JPV*	A-230	\$6,967
075180P3EFP365JPV-W4	A-230	\$6,967
075180P3EFP365TC-W40	A-227	\$5,109
075180P3EFP365TS-W40	A-225	\$4,715
075180P3HFP365TS-W40	A-225	\$4,715
075180P3VFP365JPV-W4	A-230	\$6,967
075180P3VFP365TS-W40	A-225	\$4,715
075180T3E365JM-W40	A-213	\$6,932
075180T3E365JPV-W40	A-219	\$7,331
075180T3E365JP-W40	A-217	\$6,932
075180T3E365TC-W40	A-58	\$6,052
075180T3E365TC-W40G	A-178	\$6,892
075180T3E365TS-W40	A-53	\$5,658
075180T3E365T-W40	A-54	\$5,658
075180T3E365T-W40G	A-178	\$6,498
075180T3ERB365T-W40	A-54	\$6,632
075180T3G365JM-W40	A-213	\$6,932
075180T3G365JP-W40	A-217	\$6,932
075180T3G365TS-W40	A-54	\$5,658
075180T3G365T-W40	A-54	\$5,658

Part Number	Page(s)	Price
075180T3GRB365T-W40	A-54	\$6,632
075180T3H365JM-W40	A-213	\$6,932
075180T3H365JP-W40	A-217	\$6,932
075180T3H365TC-W40	A-58	\$6,052
075180T3H365TS-W40	A-54	\$5,658
075180T3H365T-W40	A-54	\$5,658
075180T3H365T-W40G	A-178	\$6,498
075180T3V365JPV-W40	A-219	\$7,331
075180T3V365TS-W40	A-54	\$5,658
07518ST3HIE365T-W22	A-64; A-99	\$9,289
07518ST3QIE365T-W22	A-64; A-99	\$9,289
07518XT3E365T	A-117	\$11,125
07518XT3E365TC	A-120	\$11,781
07518XT3H365T	A-117	\$11,125
07530EP30FP365TS-W22	A-231	\$8,636
07536EG3E365TS-W22	A-80	\$10,000
07536ET3E365HP-W22	A-233	\$10,977
07536ET3E365JM-W22	A-205	\$11,124
07536ET3E365JP-W22	A-209	\$11,321
07536ET3E365TSC-W22	A-45; A-94	\$9,533
07536ET3E365TS-W22	A-38; A-89	\$9,091
07536ET3E365TS-W22G	A-174	\$9,931
07536ET3G365JP-W22	A-209	\$11,321
07536ET3G365TS-W22	A-38; A-89	\$9,091
07536ET3H365JM-W22	A-205	\$11,124
07536ET3H365JP-W22	A-209	\$11,321
07536ET3H365TS-W22	A-38; A-89	\$9,091
07536ET3H365TS-W22G	A-174	\$9,931
07536ET3Y280S/M-W22	A-77; A-109; A-240	\$12,472
075360P3EFP364JPV-W4	A-230	\$7,525
075360P3EFP364TS-W40	A-225	\$5,074
075360P3HFP364JPV-W4	A-230	\$7,525
075360P3HFP364TS-W40	A-225	\$5,074
075360P3JFP364TS-W40	A-225	\$5,074
075360P3VFP364JPV-W4	A-230	\$7,525
075360P3VFP364TS-W40	A-225	\$5,074
075360T3E364JM-W40	A-213	\$6,951
075360T3E364JPV*	A-219	\$8,121
075360T3E364JPV-W40	A-219	\$8,121
075360T3E364JP-W40	A-217	\$7,699
075360T3E364TSC-W40	A-59	\$6,193
075360T3E364TSC-W40G	A-178	\$6,566
075360T3E364TS-W40	A-54	\$5,799
075360T3E364TS-W40G	A-178	\$6,172
075360T3G364JM-W40	A-213	\$6,951
075360T3G364JP-W40	A-217	\$7,699
075360T3G364TS-W40	A-54	\$5,799
075360T3H364JMV-W40	A-214	\$7,351
075360T3H364JM-W40	A-213	\$6,951
075360T3H364JPV-W40	A-219	\$8,121
075360T3H364JP-W40	A-217	\$7,699

Part Number	Page(s)	Price
075360T3H364TS-W40	A-54	\$5,799
075360T3V364JPV-W40	A-219	\$8,121
075360T3V364JP-W40	A-217	\$7,699
075360T3V364TS-W40	A-54	\$5,799
07536ST3HIE365TS-W22	A-64; A-99	\$10,210
07536ST3QIE365TS-W22	A-64; A-99	\$10,210
07536XT3E365TS	A-117	\$11,285
07536XT3H365TS	A-117	\$11,285
07589EP3PCT404VF1-W2	A-187	\$14,226
07589EP3PCT404V-W22	A-187	\$14,226
07589EP3QCT404VF1-W2	A-187	\$14,226
07589EP3QCT404V-W22	A-187	\$14,226
09009ET3Y315S/M-W22	A-77; A-109; A-240	\$21,288
09012ET3Y315S/M-W22	A-77; A-109; A-240	\$19,448
09018ET3Y280S/M-W22	A-77; A-110; A-240	\$15,220
09036ET3Y280S/M-W22	A-77; A-110; A-240	\$16,720
10009ET3E445T-W22	A-38; A-89	\$26,988
10009ET3G445T-W22	A-38; A-89	\$26,988
10009ET3GKD445T-W22	A-105	\$26,988
10009ST3QIE445T-W22	A-64; A-99	\$24,681
10009ST3QIERB445T-W2	A-64; A-99	\$24,681
10009XT3E445T	A-117	\$31,191
10009XT3G445T	A-117	\$31,191
10012EG3E444T-W22	A-80	\$17,194
10012ES3EOW445T-W22	A-261	\$18,074
10012ET3E444T-W22	A-38; A-89	\$15,631
10012ET3E444T-W22G	A-174	\$17,181
10012ET3ECT444T-W22	A-182	\$17,194
10012ET3ERB444T-W22	A-38; A-89	\$15,631
10012ET3G444T-W22	A-38; A-89	\$15,631
10012ET3GRB444T-W22	A-38; A-89; A-105	\$15,631
10012ET3H444T-W22	A-38; A-89	\$15,631
10012ET3H444T-W22G	A-174	\$17,181
10012ET3PCT444T-W22	A-182	\$17,194
100120T3E444T-W40	A-54	\$11,863
100120T3E444T-W40G	A-178	\$13,463
100120T3G444T-W40	A-54	\$11,863
10012ST3HIE444T-W22	A-64; A-99	\$17,933
10012ST3QIE444T-W22	A-64; A-99	\$17,933
10012ST3QIERB444T-W2	A-64; A-99	\$17,933
10012XT3E444T	A-117	\$21,032
10012XT3G444T	A-117	\$21,032
10015EP30FP405TS-W22	A-231	\$11,105
10018EG3E405T-W22	A-80	\$12,858
10018ET3E405HPH-W22	A-233	\$11,222
10018ET3E405HP-W22	A-233	\$11,222
10018ET3E405JM-W22	A-205	\$12,300
10018ET3E405JP-W22	A-209	\$12,411
10018ET3E405TC-W22	A-45; A-94	\$12,179
10018ET3E405TSC-W22	A-45; A-94	\$12,179
10018ET3E405TS-W22	A-38; A-89; A-105	\$11,689

Part Number	Page(s)	Price
10018ET3E405T-W22	A-38; A-89	\$11,689
10018ET3E405T-W22G	A-174	\$12,889
10018ET3ECT405T-W22	A-182	\$13,092
10018ET3ERB405T-W22	A-38; A-89	\$11,689
10018ET3G405HPH-W22	A-234	\$11,222
10018ET3G405HP-W22	A-234	\$11,222
10018ET3G405JM-W22	A-205	\$12,300
10018ET3G405JP-W22	A-209	\$12,411
10018ET3G405T-W22	A-38; A-89	\$11,689
10018ET3GRB405T-W22	A-38; A-89; A-105	\$11,689
10018ET3H405TC-W22	A-45; A-94	\$12,179
10018ET3H405T-W22	A-38; A-89	\$11,689
10018ET3H405T-W22G	A-174	\$12,889
10018ET3HRB405T-W22	A-38; A-89; A-105	\$11,689
10018ET3PCT405T-W22	A-182	\$13,092
100180P3EFP404JPV*	A-230	\$8,825
100180P3EFP404JPV-W4	A-230	\$8,825
100180P3EFP404TC-W40	A-227	\$6,510
100180P3EFP404TS-W40	A-225	\$6,065
100180P3EFP404T-W40	A-225	\$6,065
100180P3HFP404TC-W40	A-227	\$6,510
100180P3HFP404TS-W40	A-226	\$6,065
100180P3VFP404JPV-W4	A-230	\$8,825
100180P3VFP404TC-W40	A-227	\$6,510
100180P3VFP404TS-W40	A-226	\$6,065
100180T3E404JPV-W40	A-219	\$9,237
100180T3E404JP-W40	A-217	\$8,783
100180T3E404TC-W40	A-59	\$7,587
100180T3E404TSC-W40	A-59	\$7,587
100180T3E404TS-W40	A-54	\$7,141
100180T3E404TS-W40G	A-178	\$7,751
100180T3E404T-W40	A-54	\$7,141
100180T3E404T-W40G	A-178	\$8,341
100180T3ERB404T-W40	A-54	\$7,141
100180T3G404JP-W40	A-217	\$8,783
100180T3G404TS-W40	A-54	\$7,141
100180T3G404T-W40	A-54	\$7,141
100180T3GRB404T-W40	A-54	\$7,141
100180T3H404TC-W40	A-59	\$7,587
100180T3H404TSC-W40	A-59	\$7,587
100180T3H404T-W40	A-54	\$7,141
100180T3H404T-W40G	A-178	\$8,341
100180T3V404JPV-W40	A-219	\$9,237
100180T3V404TS-W40	A-54	\$7,141
10018ST3HIE405T-W22	A-64; A-99	\$12,471
10018ST3HIERB405T-W2	A-64; A-99	\$12,471
10018ST3QIE405T-W22	A-64; A-99	\$12,471
10018ST3QIERB405T-W2	A-64; A-99	\$12,471
10018XT3E405T	A-117	\$14,206
10018XT3E405TC	A-120	\$14,993
10018XT3G405T	A-117	\$14,206

Part Number	Page(s)	Price
10018XT3H405T	A-117	\$14,206
10030EP30FP405TS-W22	A-231	\$11,402
10036EG3E405TS-W22	A-80	\$13,202
10036ET3E405HPP-W22	A-234	\$12,908
10036ET3E405HP-W22	A-234	\$12,908
10036ET3E405JM-W22	A-205	\$13,093
10036ET3E405JP-W22	A-209	\$13,949
10036ET3E405TS-W22	A-38; A-89	\$12,002
10036ET3E405TS-W22G	A-174	\$13,202
10036ET3G405HPP-W22	A-234	\$12,908
10036ET3G405HP-W22	A-234	\$12,908
10036ET3G405JM-W22	A-205	\$13,093
10036ET3G405JP-W22	A-209	\$13,949
10036ET3G405TS-W22	A-38; A-89; A-105	\$12,002
10036ET3H405TS-W22	A-38; A-89	\$12,002
100360P3EFP365JPV-W4	A-230	\$8,860
100360P3EFP365TS-W40	A-226	\$6,152
100360P3HFP365JPV-W4	A-230	\$8,860
100360P3HFP365TS-W40	A-226	\$6,152
100360P3JFP365TS-W40	A-226	\$6,152
100360P3VFP365JPV-W4	A-230	\$8,860
100360P3VFP365TS-W40	A-226	\$6,152
100360T3E365JM-W40	A-213	\$8,683
100360T3E365JPV-W40	A-219	\$8,609
100360T3E365JP-W40	A-217	\$8,173
100360T3E365TS-W40	A-54	\$6,644
100360T3E365TS-W40G	A-178	\$7,484
100360T3G365JM-W40	A-213	\$8,683
100360T3G365JP-W40	A-217	\$8,173
100360T3G365TS-W40	A-54	\$6,644
100360T3H365JPV-W40	A-219	\$8,609
100360T3H365TS-W40	A-54	\$6,644
100360T3V365JPV-W40	A-219	\$8,609
100360T3V365TS-W40	A-54	\$6,644
10036ST3HIE405TS-W22	A-64; A-99	\$12,806
10036ST3QIE405TS-W22	A-64; A-99	\$12,806
10036XT3E405TS	A-117	\$12,999
10036XT3G405TS	A-117	\$12,999
10036XT3H405TS	A-117	\$12,999
10089EP3PCT444VF1-W2	A-187	\$16,398
10089EP3PCT444V-W22	A-187	\$16,398
10089EP3QCT444VF1-W2	A-187	\$16,398
10089EP3QCT444V-W22	A-187	\$16,398
11009ET3Y315L-W22	A-77; A-110; A-240	\$27,910
11012ET3Y315S/M-W22	A-77; A-110; A-240	\$22,507
11018ET3Y280S/M-W22	A-77; A-110; A-240	\$17,078
11036ET3Y315S/M-W22	A-77; A-110; A-240	\$21,018
12509ET3G447T-W22	A-38; A-89	\$28,175
12509ET3GKD447T-W22	A-105	\$28,175
12509ST3QIE447T-W22	A-64; A-99	\$29,733
12509ST3QIERB447T-W2	A-64; A-99	\$29,733

Part Number	Page(s)	Price
12512EG3G445T-W22	A-80	\$19,742
12512ET3E445T-W22	A-38; A-89	\$17,947
12512ET3E445T-W22G	A-174	\$19,497
12512ET3ERB445T-W22	A-39; A-90	\$17,947
12512ET3G445T-W22	A-39; A-90	\$17,947
12512ET3GRB445T-W22	A-39; A-90; A-105	\$17,947
12512ET3H445T-W22	A-39; A-90	\$17,947
12512ET3H445T-W22G	A-174	\$19,497
125120T3G445T-W40	A-54	\$12,753
125120T3G445T-W40G	A-178	\$14,353
12512ST3HIE445T-W22	A-64; A-99	\$20,158
12512ST3QIE445T-W22	A-64; A-99	\$20,158
12512ST3QIERB445T-W2	A-64; A-99	\$20,158
12512XT3G445T	A-117	\$21,537
12515EP30FP444TS-W22	A-231	\$14,011
12518EG3G444T-W22	A-80	\$16,223
12518ET3E444T-W22	A-45; A-94	\$16,218
12518ET3E444TC-W22G	A-175	\$16,904
12518ET3E444TS-W22	A-39; A-90; A-105	\$14,748
12518ET3E444T-W22	A-39; A-90	\$14,748
12518ET3E444T-W22G	A-175	\$16,298
12518ET3ERB444T-W22	A-39; A-90	\$14,748
12518ET3G444HP-W22	A-234	\$15,687
12518ET3G444TC-W22	A-45; A-94	\$16,218
12518ET3G444TC-W22G	A-175	\$17,768
12518ET3G444TSC-W22	A-45; A-94	\$16,218
12518ET3G444T-W22	A-39; A-90	\$14,748
12518ET3GRB444T-W22	A-39; A-90; A-105	\$14,748
12518ET3H444TC-W22	A-45; A-94	\$16,218
12518ET3H444T-W22	A-39; A-90	\$14,748
12518ET3H444T-W22G	A-175	\$16,298
125180P3EFP405TS-W40	A-226	\$6,651
125180P3GFP405TC-W40	A-227	\$6,651
125180P3GFP405TS-W40	A-226	\$6,651
125180P3HFP405TC-W40	A-227	\$6,651
125180P3HFP405TS-W40	A-226	\$6,651
125180T3E405TC-W40	A-59	\$8,427
125180T3E405TC-W40G	A-178	\$9,627
125180T3E405TSC-W40	A-59	\$8,427
125180T3E405TS-W40	A-54	\$7,981
125180T3E405T-W40	A-54	\$7,981
125180T3E405T-W40G	A-178	\$9,181
125180T3ERB405T-W40	A-54	\$7,981
125180T3G405JP-W40	A-217	\$10,317
125180T3G405TC-W40	A-59	\$8,427
125180T3G405TSC-W40	A-59	\$8,427
125180T3G405TS-W40	A-54	\$7,981
125180T3G405T-W40	A-54	\$7,981
125180T3GRB405T-W40	A-54	\$7,981
125180T3H405TC-W40	A-59	\$8,427
125180T3H405T-W40	A-54	\$7,981



Part Number	Page(s)	Price
125180T3H405T-W40G	A-178	\$9,181
12518ST3HIE444T-W22	A-64; A-99	\$16,564
12518ST3QIE444T-W22	A-64; A-99	\$16,564
12518ST3QIERB444T-W2	A-64; A-99	\$16,564
12518XT3E444T	A-117	\$19,961
12518XT3G444T	A-117	\$19,961
12530EP30FP444TS-W22	A-231	\$14,583
12536EG3G444TS-W22	A-81	\$16,885
12536ET3E444TS-W22	A-39; A-90; A-105	\$15,350
12536ET3E444TS-W22G	A-175	\$16,900
12536ET3G444HP-W22	A-234	\$17,969
12536ET3G444TS-W22	A-39; A-90	\$15,350
12536ET3H444TS-W22	A-39; A-90	\$15,350
12536ET3H444TS-W22G	A-175	\$16,900
125360P3EFP404TS-W40	A-226	\$7,762
125360P3GFP404TS-W40	A-226	\$7,762
125360P3HFP404TS-W40	A-226	\$7,762
125360P3JFP404TS-W40	A-226	\$7,762
125360P3VFP404TS-W40	A-226	\$7,762
125360T3E404TS-W40	A-54	\$8,826
125360T3E404TS-W40G	A-178	\$10,026
125360T3G404JP-W40	A-217	\$10,563
125360T3G404TS-W40	A-54	\$8,826
125360T3H404TS-W40	A-54	\$8,826
12536ST3HIE444TS-W22	A-64; A-99	\$18,198
12536ST3QIE444TS-W22	A-64; A-99	\$18,198
12536XT3G444TS	A-117	\$20,874
13209ET3Y315L-W22	A-77; A-110; A-240	\$33,687
1321007139**	A-129; A-131	\$1,696
1321007140**	A-130; A-132	\$1,676
1321087139**	A-129; A-131	\$1,696
1321087140**	A-130; A-132	\$1,676
13212ET3Y315S/M-W22	A-77; A-110; A-240	\$25,642
13218ET3Y315S/M-W22	A-77; A-110; A-240	\$19,732
13236ET3Y315S/M-W22	A-77; A-110; A-240	\$23,180
15009ET3G449T-W22	A-39; A-90	\$30,677
15009ET3GKD447T-W22	A-105	\$30,677
15009ST3QIE447T-W22	A-64; A-99	\$34,755
15009ST3QIERB447T-W2	A-64; A-99	\$34,755
15012EG3G449T-W22	A-81	\$22,703
15012ET3E447T-W22	A-39; A-90	\$20,639
15012ET3G447T-W22	A-39; A-90	\$20,639
15012ET3GRB447T-W22	A-39; A-90	\$20,639
15012ET3H447T-W22	A-39; A-90	\$20,639
15012ET3Y315L-W22	A-77; A-110; A-240	\$28,298
150120T3G445T-W40	A-54	\$13,615
15012ST3HIE447T-W22	A-65; A-100	\$23,181
15012ST3QIE447T-W22	A-65; A-100	\$23,181
15012ST3QIERB447T-W2	A-65; A-100	\$23,181
15012XT3G447T	A-117	\$32,370
15012XT3G504	A-117	\$32,370

Part Number	Page(s)	Price
15015EP30FP445TS-W22	A-231	\$16,549
15018EG3G445T-W22	A-81	\$19,162
15018ET3E445TC-W22	A-45; A-94	\$18,025
15018ET3E445TC-W22G	A-175	\$19,575
15018ET3G445T-W22	A-39; A-90; A-105	\$17,420
15018ET3G445HP-W22	A-234	\$17,845
15018ET3G445TC-W22	A-45; A-94	\$18,025
15018ET3G445TC-W22G	A-175	\$19,575
15018ET3G445TS-W22	A-39; A-90	\$17,420
15018ET3G445T-W22	A-39; A-90	\$17,420
15018ET3GRB445T-W22	A-39; A-90	\$17,420
15018ET3H445T-W22	A-39; A-90	\$17,420
15018ET3HRB445T-W22	A-39; A-90; A-105	\$17,420
15018ET3Y315S/M-W22	A-77; A-110; A-240	\$21,772
150180P3EFP444TS-W40	A-226	\$8,891
150180P3GFP444TS-W40	A-226	\$8,891
150180P3HFP444TS-W40	A-226	\$8,891
150180T3G444TC-W40	A-59	\$11,228
150180T3G444TSC-W40	A-59	\$11,228
150180T3G444TS-W40	A-54	\$10,668
150180T3G444T-W40	A-54	\$10,668
150180T3GRB444T-W40	A-54	\$10,668
150180T3H444TC-W40	A-59	\$11,228
150180T3H444T-W40	A-54	\$10,668
15018ST3HIE445T-W22	A-65; A-100	\$18,587
15018ST3HIERB445T-W2	A-65; A-100	\$18,587
15018ST3QIE445T-W22	A-65; A-100	\$18,587
15018ST3QIERB445T-W2	A-65; A-100	\$18,587
15018XT3E445T	A-118	\$21,557
15018XT3G445T	A-118	\$21,557
15018XT3H445T	A-118	\$21,557
15030EP30FP445TS-W22	A-231	\$17,938
15036EG3G445TS-W22	A-81	\$20,770
15036ET3E445TS-W22	A-39; A-90	\$18,882
15036ET3G445HP-W22	A-234	\$20,517
15036ET3G445TS-W22	A-39; A-90; A-105	\$18,882
15036ET3Y315S/M-W22	A-77; A-110; A-240	\$26,249
150360P3EFP405TS-W40	A-226	\$10,042
150360P3GFP405TS-W40	A-226	\$10,042
150360P3HFP405TS-W40	A-226	\$10,042
150360P3JFP405TS-W40	A-226	\$10,042
150360P3VFP405TS-W40	A-226	\$10,042
150360T3G405JP-W40	A-217	\$13,922
150360T3G405TSC-W40	A-59	\$11,862
150360T3G405TS-W40	A-54	\$11,416
150360T3G405TS-W40G	A-178	\$12,616
150360T3H405TS-W40	A-54	\$11,416
15036ST3HIE445TS-W22	A-65; A-100	\$21,433
15036ST3QIE445TS-W22	A-65; A-100	\$21,433
15036XT3G445TS	A-118	\$21,320
161AHI-311.5M	A-287	\$3,468

Part Number	Page(s)	Price
161AIHI-S	A-287	\$3,468
161AIHS-3115M	A-290	\$3,206
161AIHS-S	A-290	\$3,206
162AID-3115M	A-290	\$4,078
162AID-S	A-290	\$4,078
18512ET3Y355M/L-W22	A-77; A-110; A-240	\$43,876
18518ET3Y315S/M-W22	A-77; A-110; A-240	\$26,247
18536ET3Y315S/M-W22	A-77; A-110; A-240	\$26,529
20009ET3G449T-W22	A-39; A-90	\$49,899
20009ET3GKD449T-W22	A-105	\$49,899
20009ST3HIE449T-W22	A-65; A-100	\$57,394
20009ST3QIE449T-W22	A-65; A-100	\$57,394
20009ST3QIERB449T-W2	A-65; A-100	\$57,394
20012EG3G449T-W22	A-81	\$27,646
20012ET3E449T-W22	A-39; A-90	\$25,255
20012ET3G447T-W22	A-40; A-91	\$25,133
20012ET3G449T-W22	A-40; A-91	\$25,255
20012ET3G505-W22	A-40; A-91	\$25,133
20012ET3GKD505Z-W22	A-105	\$25,133
20012ET3GRB447T-W22	A-40; A-91	\$25,133
20012ET3GRB449T-W22	A-40; A-91	\$25,255
20012ET3H449T-W22	A-40; A-91; A-105	\$25,255
20012ET3HKD505Z-W22	A-105	\$25,133
20012ET3XL449-W22MV	A-271	\$43,039
20012ET3XL449-W22MVR	A-271	\$43,039
200120T3G447/9T-W40	A-54	\$23,380
20012ST3HIE449T-W22	A-65; A-100	\$27,577
20012ST3HIERB449T-W2	A-65; A-100	\$27,557
20012ST3QIE449T-W22	A-65; A-100	\$27,577
20012ST3QIERB449T-W2	A-65; A-100	\$27,557
20012XT3G447T	A-118	\$33,613
20015EP30FP447TS-W22	A-231	\$20,043
20018EG3G449T-W22	A-81	\$23,208
20018ET3E447T-W22	A-40; A-91; A-105	\$21,098
20018ET3G447TC-W22	A-45; A-94	\$21,704
20018ET3G447TS-W22	A-40; A-91	\$21,098
20018ET3G447T-W22	A-40; A-91	\$21,098
20018ET3G504-W22	A-40; A-91	\$21,098
20018ET3GRB447T-W22	A-40; A-91	\$21,098
20018ET3H447T-W22	A-40; A-91	\$21,098
20018ET3HRB447T-W22	A-40; A-91; A-105	\$21,098
20018ET3XL449-W22MV	A-275	\$37,790
20018ET3XL449-W22MVR	A-275	\$37,790
200180P3GFP445TS-W40	A-226	\$10,837
200180P3HFP445TS-W40	A-226	\$10,837
200180T3G445TC-W40	A-59	\$13,564
200180T3G445TS-W40	A-54	\$13,004
200180T3G445T-W40	A-55	\$13,004
200180T3GRB445T-W40	A-55	\$13,004
20018ST3HIE447T-W22	A-65; A-100	\$23,696
20018ST3QIE447T-W22	A-65; A-100	\$23,696

Part Number	Page(s)	Price
20018ST3QIERB447T-W2	A-65; A-100	\$23,696
20018XT3G447T	A-118	\$29,397
20018XT3G504	A-118	\$29,397
20030EP30FP447TS-W22	A-231	\$22,384
20036EG3G447TS-W22	A-81	\$25,918
20036ET3E447TS-W22	A-40; A-91	\$23,562
20036ET3G447TS-W22	A-40; A-91; A-105	\$23,562
20036ET3G504S-W22	A-40; A-91	\$23,562
20036ET3XL449-W22MV	A-275	\$38,054
20036ET3XL449-W22MVR	A-275	\$38,054
200360P3GFP444TS-W40	A-226	\$12,782
200360P3HFP444TS-W40	A-226	\$12,782
200360P3JFP444TS-W40	A-226	\$12,782
200360T3G444TSC-W40	A-59	\$15,064
200360T3G444TS-W40	A-55	\$14,504
200360T3H444TS-W40	A-55	\$14,504
20036ST3HIE447TS-W22	A-65; A-100	\$28,568
20036ST3QIE447TS-W22	A-65; A-100	\$28,568
20036XT3G447TS	A-118	\$29,446
201AIHE-S	A-290	\$6,143
201AIHV-S	A-290	\$5,357
202AIJV-S	A-290	\$7,607
202AVS-S	A-290	\$6,643
22012ET3Y355M/L-W22	A-77; A-110; A-240	\$46,322
22018ET3Y315L-W22	A-77; A-110; A-240	\$36,234
22036ET3Y315L-W22	A-77; A-110; A-240	\$44,212
25009ET3G449T-W22	A-40; A-91	\$56,168
25009ET3GKD586/7-W22	A-105	\$56,168
25012ET3E449T-W22	A-40; A-91	\$35,555
25012ET3G449T-W22	A-40; A-91	\$35,555
25012ET3G586/7-W22	A-40; A-91	\$39,631
25012ET3GKD449T-W22	A-105	\$35,555
25012ET3GKD580Z-W22	A-105	\$39,631
25012ET3GRB449T-W22	A-40; A-91	\$35,555
25012ET3H449T-W22	A-40; A-91	\$35,555
25012ET3HKD580Z-W22	A-105	\$39,631
25012ET3X5009-W50MV	A-275	\$48,810
250120T3G447/9T-W40	A-55	\$27,249
25012ST3QIE449T-W22	A-65; A-100	\$39,415
25012ST3QIERB449T-W2	A-65; A-100	\$39,415
25012XT3G449T	A-118	\$48,048
25015EP30FP449TS-W22	A-231	\$25,463
25018EG3G449T-W22	A-81	\$29,388
25018ET3G447TSC-W22	A-45; A-94	\$34,280
25018ET3G447TS-W22	A-40; A-91; A-105	\$27,189
25018ET3G447T-W22	A-40; A-91	\$26,716
25018ET3G449T-W22	A-40; A-91	\$26,803
25018ET3GKD447T-W22	A-105	\$26,716
25018ET3GKD505Z-W22	A-105	\$26,716
25018ET3GRB447T-W22	A-40; A-91	\$26,716
25018ET3GRB449T-W22	A-40; A-91	\$26,803



Part Number	Page(s)	Price
25018ET3H447TS-W22	A-40; A-91; A-105	\$27,189
25018ET3HRB447T-W22	A-40; A-91; A-105	\$26,716
25018ET3Q447TSC-W22	A-81	\$27,322
25018ET3X5009-W50MV	A-275	\$42,249
250180P3GFP445TS-W40	A-226	\$13,358
250180P3HFP445TS-W40	A-226	\$13,358
250180T3G445TC-W40	A-59	\$16,073
250180T3G445TS-W40	A-55	\$15,513
250180T3G445T-W40	A-55	\$15,513
250180T3GRB445T-W40	A-55	\$15,513
250180T3H445T-W40	A-55	\$15,513
25018ST3QIE449T-W22	A-65; A-100	\$30,081
25018ST3QIERB449T-W2	A-65; A-100	\$30,081
25018XT3G447T	A-118	\$32,866
25018XT3H447T	A-118	\$32,866
25030EP30FP449TS-W22	A-231	\$31,514
25036EG3G447TS-W22	A-81	\$32,831
25036ET3G447TS-W22	A-40; A-91	\$29,846
25036ET3G449TS-W22	A-40; A-91; A-105	\$33,173
25036ET3X5009-W50MV	A-275	\$42,512
250360P3GFP445TS-W40	A-226	\$15,654
250360P3HFP445TS-W40	A-226	\$15,654
250360T3G445TSC-W40	A-59	\$19,543
250360T3G445TS-W40	A-55	\$18,983
250360T3H445TS-W40	A-55	\$18,983
25036ST3QIE449TS-W22	A-65; A-100	\$34,663
25036XT3G447TS	A-118	\$31,124
250MI60AI-2115M	A-290	\$11,598
250MI60AI-S	A-290	\$11,598
250MI70AI-S	A-291	\$13,393
250MI80AI-S	A-291	\$14,250
250SI50AI-2115M	A-291	\$10,735
250SI50AI-3115M	A-291	\$10,735
250SI50AI-S	A-291	\$10,735
251AIHD-S	A-290	\$8,393
251AIHE-2115M	A-290	\$9,821
251AIHE-S	A-290	\$9,821
26012ET3Y355M/L-W22	A-77; A-110; A-240	\$53,001
26018ET3Y355M/L-W22	A-77; A-110; A-240	\$43,761
26036ET3Y355M/L-W22	A-77; A-110; A-240	\$50,637
280MI50AI-S	A-291	\$15,520
280MI60AI-S	A-291	\$17,218
30009ET3G449T-W22	A-40; A-91	\$58,655
30009ET3GKD586/7-W22	A-105	\$58,655
30012ET3G449T-W22	A-40; A-91	\$38,437
30012ET3G586/7-W22	A-40; A-91	\$44,301
30012ET3GKD449T-W22	A-105	\$38,437
30012ET3GKD580Z-W22	A-106	\$44,301
30012ET3GKD586/7-W22	A-106	\$44,301
30012ET3HKD580Z-W22	A-106	\$44,301
30012ET3X5009-W50MV	A-275	\$55,371

Part Number	Page(s)	Price
300120T3G447/9T-W40	A-55	\$29,853
30012ST3QIE449T-W22	A-65; A-100	\$44,648
30012ST3QIERB449T-W2	A-65; A-100	\$44,648
30012XT3G449T	A-118	\$52,790
30018ET3G449TC-W22	A-45; A-95	\$31,990
30018ET3G449TS-W22	A-40; A-91	\$31,384
30018ET3G449T-W22	A-40; A-91	\$31,384
30018ET3GKD449T-W22	A-106	\$31,384
30018ET3GKD580Z-W22	A-106	\$39,112
30018ET3GRB449T-W22	A-40; A-91	\$31,384
30018ET3HKD580Z-W22	A-106	\$39,112
30018ET3X5009-W50MV	A-275	\$47,239
30018ET3Y355M/L-W22	A-77; A-110; A-240	\$60,292
300180P3GFP447/9TSW4	A-226	\$19,168
300180T3G447/9TS-W40	A-55	\$24,878
300180T3G447/9T-W40	A-55	\$24,878
30018ST3QIE449T-W22	A-65; A-100	\$36,810
30018ST3QIERB449T-W2	A-65; A-100	\$36,810
30018XT3G449T	A-118	\$42,566
30036ET3G449TS-W22	A-40; A-91	\$38,269
30036ET3X5009-W50MV	A-275	\$51,698
30036ET3Y355M/L-W22	A-77; A-110; A-240	\$66,321
300360P3GFP445TS-W40	A-226	\$19,556
300360P3HFP445TS-W40	A-226	\$19,556
300360T3G445TS-W40	A-55	\$22,294
30036XT3G449TS	A-118	\$48,747
315L90AI-0118M	A-291	\$32,684
315L90AI-S	A-291	\$32,684
315MI50AI-018M	A-291	\$19,586
315MI50AI-S	A-291	\$19,586
315MI60AI-018M	A-291	\$21,964
315MI60AI-S	A-291	\$21,964
315MI70AI-018M	A-291	\$24,394
315MI70AI-S	A-291	\$24,394
33018ET3Y355M/L-W22	A-77; A-110; A-240	\$64,557
35009ET3G586/7-W22	A-40; A-91; A-106	\$64,873
35009ET3GKD586/7-W22	A-106	\$64,873
35012ET3G449T-W22	A-40; A-91	\$47,633
35012ET3GKD580Z-W22	A-106	\$50,250
35012ET3GKD586/7-W22	A-106	\$50,250
35012ET3GRB449T-W22	A-41; A-92	\$47,633
35012ET3X5009-W50MV	A-275	\$61,532
35012ST3QIE449T-W22	A-65; A-100	\$52,634
35012ST3QIERB449T-W2	A-65; A-100	\$52,634
35012XT3G586/7	A-118	\$71,652
35018ET3G449TS-W22	A-41; A-92	\$36,517
35018ET3G449T-W22	A-41; A-92; A-106	\$36,517
35018ET3GKD449T-W22	A-106	\$36,517
35018ET3GKD580Z-W22	A-106	\$41,230
35018ET3GRB449T-W22	A-41; A-92	\$36,517
35018ET3HKD580Z-W22	A-106	\$41,230

Part Number	Page(s)	Price
350180P3GFP447/9TSW4	A-226	\$22,807
350180P3HFP447/9TSW4	A-226	\$22,807
350180T3G447/9TS-W40	A-55	\$25,174
350180T3G447/9T-W40	A-55	\$25,174
35018ST3QIE449T-W22	A-65; A-100	\$44,105
35018ST3QIERB449T-W2	A-65; A-100	\$44,105
35018XT3G449T	A-118	\$53,222
35036ET3G449TS-W22	A-41; A-92	\$43,805
350360P3GFP447/9TSW4	A-226	\$22,346
350360P3HFP447/9TSW4	A-226	\$22,346
350360T3G447/9TS-W40	A-55	\$25,055
35036XT3G449TS	A-118	\$65,868
355MI70AI-S	A-291	\$44,643
40009ET3G588/9-W22	A-41; A-92; A-106	\$66,123
40012ET3G449T-W22	A-41; A-92	\$52,307
40012ET3G586/7-W22	A-41; A-92	\$56,201
40012ET3GKD580Z-W22	A-106	\$58,210
40012ET3GKD586/7-W22	A-106	\$56,201
40012ET3GRB449T-W22	A-41; A-92	\$52,307
40012ET3HKD580Z-W22	A-106	\$58,210
40012ET3X5809-W50MV	A-275	\$68,812
40012XT3G586/7	A-118	\$75,473
40018ET3G449TS-W22	A-41; A-92	\$43,805
40018ET3G449T-W22	A-41; A-92; A-106	\$43,805
40018ET3GKD580Z-W22	A-106	\$45,805
40018ET3GRB449T-W22	A-41; A-92	\$43,805
40018ET3H449T-W22	A-41; A-92	\$43,805
40018ET3HKD580Z-W22	A-106	\$45,805
40018ET3X5009-W50MV	A-275	\$60,848
40018ET3X5009-W50MVR	A-275	\$60,848
400180P3HFP447/9TSW4	A-226	\$25,570
400180P3QFP447/9TSW4	A-226	\$25,570
400180T3G447/9TS-W40	A-55	\$28,311
400180T3G447/9T-W40	A-55	\$28,311
40018ST3QIE449T-W22	A-65; A-100	\$48,396
40018ST3QIERB449T-W2	A-65; A-100	\$48,396
40018XT3G586/7	A-118	\$61,096
40036ET3G449TS-W22	A-41; A-92; A-106	\$44,605
40036ET3X5009-W50MV	A-275	\$61,669
40036ET3X5009-W50MVR	A-275	\$61,669
400360P3GFP447/9TSW4	A-226	\$24,140
400360P3HFP447/9TSW4	A-226	\$24,140
400360T3G447/9TS-W40	A-55	\$26,678
45009ET3G588/9-W22	A-41; A-92	\$68,715
45012ET3G586/7-W22	A-41; A-92	\$62,251
45012ET3GKD580Z-W22	A-106	\$63,251
45012ET3GRB586/7-W22	A-41; A-92	\$62,251
45018ET3G449T-W22	A-41; A-92	\$48,010
45018ET3GKD580Z-W22	A-106	\$48,053
45018ET3GKD586/7-W22	A-106	\$48,053
45018ET3GRB449T-W22	A-41; A-92; A-106	\$48,010

Part Number	Page(s)	Price
45018XT3G586/7	A-118	\$65,201
45036ET3G449TS-W22	A-41; A-92	\$49,610
450360P3GFP447/9TSW4	A-226	\$26,055
450360P3HFP447/9TSW4	A-226	\$26,055
450360T3G447/9TS-W40	A-55	\$28,239
50012ET3G586/7-W22	A-41; A-92; A-106	\$62,962
50012ET3GKD580Z-W22	A-106	\$65,962
50012ET3X5809-W50MV	A-275	\$89,970
50012ET3X5809-W50MVR	A-275	\$89,970
50018ET3G449T-W22	A-41; A-92	\$50,594
50018ET3GKD580Z-W22	A-106	\$51,611
50018ET3GRB449T-W22	A-41; A-92	\$50,594
50018ET3X5009-W50MV	A-275	\$76,398
50018ET3X5009-W50MVR	A-275	\$76,398
50018XT3G586/7	A-118	\$70,086
50036ET3G586/7S-W22	A-41; A-92	\$56,305
50036ET3X5809-W50MV	A-275	\$79,517
50036ET3X5809-W50MVR	A-275	\$79,517
500360P3GFP447/9TSW4	A-226	\$27,711
500360P3HFP447/9TSW4	A-226	\$27,711
500360T3G447/9TS-W40	A-55	\$31,476
550360T3G447/9TS-W40	A-55	\$32,629
60012ET3G588/9-W22	A-41; A-92; A-106	\$71,374
60012ET3X5809-W50MV	A-275	\$105,217
60012ET3X5809-W50MVR	A-275	\$105,217
60018ET3G586/7-W22	A-41; A-92	\$60,316
60018ET3X5809-W50MV	A-275	\$91,633
60018ET3X5809-W50MVR	A-275	\$91,633
60036ET3G588/9S-W22	A-41; A-92	\$64,635
60036ET3X5809-W50MV	A-275	\$86,864
60036ET3X5809-W50MVR	A-275	\$86,864
600360T3G447/9TS-W40	A-55	\$32,994
65018ET3G588/9-W22	A-41; A-92	\$66,701
65036ET3G588/9S-W22	A-41; A-92	\$66,835
70012ET3X6808-W50MV	A-275	\$117,307
70012ET3X6808-W50MVR	A-275	\$117,307
70018ET3G588/9-W22	A-41; A-92	\$71,185
70018ET3X6806-W50MV	A-275	\$105,814
70018ET3X6806-W50MVR	A-275	\$105,814
70036ET3G588/9S-W22	A-41; A-92	\$71,254
700360T3Q5010S-W40	A-55	\$42,603
75018ET3G588/9-W22	A-41; A-92	\$74,025
80018ET3X6808-W50MV	A-275	\$114,209
80018ET3X6808-W50MVR	A-275	\$114,209
800360T3Q5010S-W40	A-55	\$45,039
ACBF-11	A-384	\$20
ACBF-11 MPW100	A-385	\$35
ACBF-11 MPW100	A-385	\$35
ACBS-02	A-385	\$22
ACBS-02 MPW100	A-385	\$27
ACBS-02 MPW100	A-385	\$27

Part Number	Page(s)	Price
ACBS-11	A-384	\$22
ACBS-11 MPW100	A-385	\$27
ACBS-11 MPW100	A-385	\$27
ACBS-20	A-385	\$22
ACBS-20 MPW100	A-385	\$27
ACBS-20 MPW100	A-385	\$27
AUXTBOXF1W22-D	A-412	\$270
BC10B-CSW	A-369	\$5.00
BDK-BM140-W22	A-413	\$422
BDK-BM180-W22	A-413	\$643
BDK-BM210-W22	A-414	\$770
BDK-BM250-W22	A-414	\$934
BDK-BM280-W22	A-414	\$1,610
BDK-BM320-W22	A-414	\$2,814
BLK-E140	A-417	\$1,149
BLK-E180	A-417	\$1,260
BLK-E210	A-418	\$1,452
BLK-E250-W22	A-418	\$1,573
BLK-E280	A-418	\$1,658
BLK-E320	A-418	\$1,821
BLK-E360-W22	A-418	\$2,038
BLK-E400-W22	A-418	\$2,159
BLK-E444/5-W22	A-418	\$2,561
BLK-E445/7-447/9-W22	A-418	\$2,561
BLK-E580-W22	A-418	\$3,632
BLK-EL449/500-W22	A-418	\$3,025
BRAKE-E140-W22	A-414	\$588
BRAKE-E180-W22	A-414	\$972
BRAKE-E210-W22	A-414	\$1,410
BRAKE-E250-W22	A-414	\$1,985
BRAKE-E280-W22	A-414	\$3,454
BRAKE-E320-W22	A-414	\$5,453
BRKHDL-BM140-W22	A-414	\$78
BRKHDL-BM180-W22	A-414	\$127
BRKHDL-BM210-W22	A-415	\$179
BRKHDL-BM250-W22	A-415	\$236
BRKHDL-BM280-W22	A-415	\$453
BRKHDL-BM320-W22	A-415	\$602
CAB-RS-1	A-142; A-335	\$23
CAB-RS-10	A-142; A-335	\$72
CAB-RS-2	A-143; A-336	\$31
CAB-RS-3	A-143; A-336	\$41
CAB-RS-5	A-143; A-336	\$51
CAB-RS-7.5	A-143; A-336	\$62
CAN-01	A-329	\$410
CCK-01	A-329	\$105
CFDB100-224	A-143; A-336	\$183
CFDB10-746	A-143; A-336	\$319
CFDB120-298	A-426	\$183
CFDB15-560	A-144; A-337	\$319
CFDB18-1492	A-144; A-337	\$638

Part Number	Page(s)	Price
CFDB22-1119	A-144; A-337	\$481
CFDB22-373	A-144; A-337	\$183
CFDB27-298	A-144; A-337	\$183
CFDB33-746	A-426	\$319
CFDB39-224	A-144; A-337	\$183
CFDB47-746	A-144; A-337	\$319
CFW080017THN4A1Z	A-138	\$1,259
CFW080027TGN4A1Z	A-138	\$894
CFW080030THN4A1Z	A-142; A-335	\$1,421
CFW080043TGN4A1Z	A-142; A-335	\$1,118
CFW080043THN4A1Z	A-142; A-335	\$1,485
CFW080065TGN4A1Z	A-142; A-335	\$1,331
CFW080070THN4A1Z	A-142; A-335	\$1,767
CFW080073BDN4A1Z	A-142; A-335	\$929
CFW080100BDN4A1Z	A-142; A-335	\$1,039
CFW080100TGN4A1Z	A-142; A-335	\$1,516
CFW080100THN4A1Z	A-142; A-335	\$2,077
CFW080120THN4A1Z	A-142; A-335	\$2,388
CFW080130TGN4A1Z	A-142; A-335	\$1,856
CFW080160TDN4A1Z	A-142; A-335	\$1,228
CFW080160TGN4A1Z	A-142; A-335	\$2,144
CFW080220TDN4A1Z	A-142; A-335	\$1,769
CFW080240TGN4A1Z	A-142; A-335	\$2,876
CFW080280TDN4A1Z	A-142; A-335	\$2,266
CFW080300TGN4A1Z	A-142; A-335	\$3,474
CFW300A01P6S1NB20	A-309	\$361
CFW300A01P6S2NB20	A-309	\$323
CFW300A01P6T2NB20	A-316	\$343
CFW300A02P6S1NB20	A-316	\$394
CFW300A02P6S2NB20	A-316	\$348
CFW300A02P6T2NB20	A-316	\$376
CFW300A04P2S1NB20	A-316	\$420
CFW300A04P2S2NB20	A-316	\$371
CFW300A04P2T2NB20	A-316	\$399
CFW300A06POS1NB20	A-316	\$507
CFW300A06POS2NB20	A-316	\$461
CFW300A06POT2NB20	A-316	\$484
CFW300A07P3S2NB20	A-316	\$543
CFW300A07P3T2NB20	A-316	\$571
CFW300B10P0B2DB20	A-316	\$648
CFW300B15P2T2DB20	A-316	\$792
CFW300-CCAN	A-316	\$100
CFW300-CPDP	A-316	\$294
CFW300-CRS232	A-316	\$82
CFW300-CRS485	A-316	\$82
CFW300-CUSB	A-316	\$87
CFW300-IOADR	A-316	\$207
CFW300-IOAENC	A-316	\$143
CFW300-IOAR	A-316	\$141
CFW300-IODR	A-316	\$108
CFW300-KFA	A-316	\$90

Part Number	Page(s)	Price
CFW300-KFB	A-316	\$105
CFW300-KHMIR	A-316	\$256
CFW300-MMF	A-316	\$210
CFW500A01P0T4NB20	A-316	\$582
CFW500A01P6B2NB20	A-316	\$456
CFW500A01P6S2NB20	A-321	\$451
CFW500A01P6T4NB20	A-321	\$604
CFW500A02P6B2NB20	A-321	\$467
CFW500A02P6S2NB20	A-321	\$463
CFW500A02P6T4NB20	A-321	\$649
CFW500A04P3B2NB20	A-321	\$506
CFW500A04P3S2NB20	A-321	\$499
CFW500A04P3T4NB20	A-321	\$799
CFW500A06P1T4NB20	A-321	\$982
CFW500A07P0S2NB20	A-321	\$633
CFW500A07P0T2NB20	A-321	\$628
CFW500A09P6T2NB20	A-321	\$773
CFW500B02P6T4DB20	A-321	\$708
CFW500B04P3T4DB20	A-321	\$892
CFW500B06P5T4DB20	A-321	\$1,067
CFW500B07P3B2DB20	A-321	\$678
CFW500B10P0B2DB20	A-321	\$789
CFW500B10P0T4DB20	A-321	\$1,207
CFW500B16P0T2DB20	A-321	\$842
CFW500C01P7T5DB20	A-321	\$910
CFW500C03P0T5DB20	A-321	\$954
CFW500C04P3T5DB20	A-321	\$1,073
CFW500C07P0T5DB20	A-321	\$1,276
CFW500C10P0T5DB20	A-321	\$1,621
CFW500C12P0T5DB20	A-321	\$1,813
CFW500C14P0T4DB20	A-321	\$1,495
CFW500C16P0T4DB20	A-321	\$1,684
CFW500C24P0T2DB20	A-321	\$1,427
CFW500-CCAN	A-321	\$138
CFW500-CCHMIR010M	A-321	\$72
CFW500-CCHMIR01M	A-322	\$23
CFW500-CCHMIR02M	A-322	\$31
CFW500-CCHMIR03M	A-322	\$41
CFW500-CCHMIR05M	A-322	\$51
CFW500-CCHMIR075M	A-322	\$61
CFW500-CEMB-TCP	A-322	\$499
CFW500-CEPN-IO	A-322	\$499
CFW500-CETH-IP	A-322	\$499
CFW500-CPDP	A-322	\$405
CFW500-CPDP2	A-322	\$445
CFW500-CRS232	A-322	\$138
CFW500-CRS485	A-322	\$143
CFW500-CUSB	A-322	\$210
CFW500D24P0T4DB20	A-321	\$2,229
CFW500D28P0T2DB20	A-321	\$1,777
CFW500D31P0T4DB20	A-321	\$2,783

Part Number	Page(s)	Price
CFW500D33P0T2DB20	A-321	\$2,146
CFW500D47P0T2DB20	A-321	\$2,910
CFW500E39P0T4DB20	A-321	\$3,346
CFW500E49P0T4DB20	A-321	\$4,214
CFW500E56P0T2DB20	A-321	\$3,380
CFW500-ENC	A-322	\$210
CFW500-HMIR	A-322	\$169
CFW500-IOAD	A-322	\$182
CFW500-IOD	A-322	\$141
CFW500-IOR	A-322	\$125
CFW500-IOS	A-322	\$110
CFW500-KN1A	A-322	\$28
CFW500-KN1B	A-322	\$33
CFW500-KN1C	A-322	\$44
CFW500-KN1D	A-322	\$59
CFW500-KN1E	A-322	\$64
CFW500-KPCSA	A-322	\$41
CFW500-KPCSB	A-322	\$44
CFW500-KPCSC	A-322	\$46
CFW500-KPCSD	A-322	\$51
CFW500-MMF	A-322	\$189
CFW500-USB02M	A-322	\$50
CFW700A03P6T4DB20	A-327	\$1,350
CFW700A05P0T4DB20	A-327	\$1,444
CFW700A06P0B2DB20	A-322	\$1,370
CFW700A07P0B2DB20	A-322	\$1,430
CFW700A07P0T2DB20	A-327	\$1,350
CFW700A07P0T4DB20	A-328	\$1,510
CFW700A10P0S2DB20	A-327	\$1,510
CFW700A10P0T2DB20	A-327	\$1,410
CFW700A10P0T4DB20	A-328	\$1,600
CFW700A13P0T2DB20	A-327	\$1,440
CFW700A13P5T4DB20	A-328	\$1,711
CFW700A16P0T2DB20	A-327	\$1,542
CFW700B02P9T5DB20	A-328	\$1,689
CFW700B04P2T5DB20	A-328	\$1,759
CFW700B07P0T5DB20	A-329	\$1,874
CFW700B10P0T5DB20	A-329	\$2,048
CFW700B12P0T5DB20	A-329	\$2,171
CFW700B17P0T4DB20	A-328	\$2,055
CFW700B17P0T5DB20	A-329	\$2,552
CFW700B24P0T2DB20	A-327	\$2,020
CFW700B24P0T4DB20	A-328	\$2,455
CFW700B28P0T2DB20	A-327	\$2,201
CFW700B31P0T4DB20	A-328	\$3,450
CFW700B33P5T2DB20	A-327	\$2,600
CFW700C22P0T5DB20	A-329	\$4,235
CFW700C27P0T5DB20	A-329	\$4,506
CFW700C32P0T5DB20	A-329	\$6,486
CFW700C38P0T4DB20	A-328	\$3,888
CFW700C44P0T5DB20	A-329	\$7,309

Part Number	Page(s)	Price
CFW700C45POT2DB20	A-327	\$2,900
CFW700C45POT4DB20	A-328	\$5,000
CFW700C54POT2DB20	A-327	\$3,700
CFW700C58P5T4DB20	A-328	\$5,800
CFW700C70POT2DB20	A-327	\$4,880
CFW700D0105T2DBN1	A-327	\$8,100
CFW700D22POT5NBN1	A-329	\$3,921
CFW700D27POT5NBN1	A-329	\$4,450
CFW700D32POT5NBN1	A-329	\$5,763
CFW700D44POT5NBN1	A-329	\$6,768
CFW700D70P5T4DBN1	A-328	\$6,888
CFW700D86POT2DBN1	A-327	\$6,101
CFW700D88POT4DBN1	A-328	\$8,100
CFW700E0107T5DB20C3	A-329	\$16,240
CFW700E0107T5NB20C3	A-329	\$15,042
CFW700E0125T5DB20C3	A-329	\$16,910
CFW700E0125T5NB20C3	A-329	\$15,662
CFW700E0150T5DB20C3	A-329	\$23,456
CFW700E0150T5NB20C3	A-329	\$21,723
CFW700E0211T4NB20C3	A-328	\$18,787
CFW700E105T4DB20C3	A-328	\$11,989
CFW700E105T4NB20C3	A-328	\$9,999
CFW700E142T2DB20C3	A-327	\$11,500
CFW700E142T2NB20C3	A-327	\$10,101
CFW700E142T4DB20C3	A-328	\$14,989
CFW700E142T4NB20C3	A-328	\$12,000
CFW700E180T2DB20C3	A-327	\$15,500
CFW700E180T2NB20C3	A-327	\$12,999
CFW700E180T4DB20C3	A-328	\$20,989
CFW700E180T4NB20C3	A-328	\$15,400
CFW700E211T2DB20C3	A-327	\$21,222
CFW700E211T2NB20C3	A-327	\$18,555
CFW700E211T4DB20C3	A-328	\$25,989
CFW700E53POT5DB20C3	A-329	\$9,118
CFW700E53POT5NB20C3	A-329	\$8,446
CFW700E63POT5DB20C3	A-329	\$11,580
CFW700E63POT5NB20C3	A-329	\$10,728
CFW700E80POT5DB20C3	A-329	\$12,091
CFW700E80POT5NB20C3	A-329	\$11,200
CSW30-SP3PBS	A-143; A-336	\$535
CSW-SP3PBS	A-143; A-336	\$460
DEVICENET-05	A-386	\$1,100
DRCV-E100	A-410	\$89
DRCV-E140	A-410	\$89
DRCV-E180	A-411	\$128
DRCV-E180-S	A-411	\$128
DRCV-E210	A-411	\$136
DRCV-E210-S	A-411	\$136
DRCV-E250	A-411	\$167
DRCV-E250-S	A-411	\$167
DRCV-E250-W22	A-411	\$167

Part Number	Page(s)	Price
DRCV-E280	A-411	\$220
DRCV-E280-W22	A-411	\$220
DRCV-E320	A-411	\$344
DRCV-E320-W22	A-411	\$344
DRCV-E360/400	A-411	\$393
DRCV-E360-W22	A-411	\$393
DRCV-E400-W22	A-411	\$479
DRCV-E440/500	A-411	\$819
DRCV-E440-W22	A-411	\$819
DRCV-E48/W56-S	A-411	\$45
DRCV-E56	A-411	\$53
DRCV-E580	A-411	\$1,145
DRCV-E580-W22	A-411	\$1,145
DRCV-EL440-W22	A-411	\$952
DRCV-0140-S	A-411	\$53
DRCV-0180-S	A-411	\$128
DRCV-0210-S	A-411	\$136
DRCV-0250-S	A-411	\$167
DRCV-056-S	A-411	\$45
DRCV-ODP140	A-411	\$105
DRCV-ODP180	A-411	\$120
DRCV-ODP210	A-411	\$131
DRCV-ODP250	A-411	\$152
DRCV-ODP280	A-411	\$220
DRCV-ODP320	A-411	\$366
DRCV-ODP360/400	A-411	\$410
DRCV-ODP440	A-411	\$613
DRCV-OS48/56	A-411	\$23
E0.1812EP3WAX71F3-W2	A-234	\$476
E0.1818EP3WAX63F3-W2	A-234	\$365
E0.1836EP3WAX63F3-W2	A-243	\$364
E0.2512EP3WAX71F3-W2	A-243	\$483
E0.2518EP3WAX71F3-W2	A-243	\$415
E0.2536EP3WAX63F3-W2	A-243	\$373
E0.3712EP3WAX80F3-W2	A-243	\$507
E0.3718EP3WAX71F3-W2	A-243	\$427
E0.3736EP3WAX71F3-W2	A-243	\$408
E0.5512EP3WAX80F3-W2	A-243	\$523
E0.5518EP3WAX80F3-W2	A-243	\$488
E0.5536EP3WAX71F3-W2	A-243	\$415
E0.7512EP3WAX90SF3-W	A-243	\$660
E0.7512ET3WAXL90SF3W	A-243	\$872
E0.7512XP3WAX90LF3-W	A-120	\$1,199
E0.7518EP3WAX80F3-W2	A-243	\$507
E0.7518ET3WAX80F3-W2	A-243	\$670
E0.7518XP3WAX90SF3-W	A-120	\$1,283
E0.7536EP3WAX80F3-W2	A-243	\$499
E0.7536ET3WAX80F3-W2	A-243	\$659
E0.7536XP3WAX90SF3-W	A-123; A-248	\$1,267
E00112EP3WAX90LF3-W2	A-243	\$700
E00112ET3WAX100LF3-W	A-243	\$924

Part Number	Page(s)	Price
E00112XP3WAX90LF3-W	A-123; A-248	\$1,588
E00118EP3WAX90SF3-W2	A-243	\$578
E00118ET3WAX90SF3-W2	A-243	\$763
E00118XP3WAX90LF3-W	A-123; A-248	\$1,334
E00136EP3WAX80F3-W22	A-243	\$538
E00136ET3WAX80F3-W22	A-243	\$711
E00136XP3WAX90SF3-W	A-123; A-248	\$1,318
E00152EP3WAX100LF3-W	A-243	\$872
E00152ET3WAX100LF3-W	A-243	\$1,152
E00152XP3WAX100LF3-W	A-123; A-248	\$1,757
E00156EP3WAX90SF3-W2	A-243	\$614
E00156ET3WAX90SF3-W2	A-243	\$811
E00156XP3WAX90SF3-W	A-123; A-248	\$1,371
E00158EP3WAX90LF3-W2	A-243	\$673
E00158ET3WAX90LF3-W2	A-243	\$889
E00158XP3WAX100LF3-W	A-123; A-248	\$1,488
E00212EP3YAX112MF3-W	A-243	\$1,181
E00212ET3YAX112MF3-W	A-243	\$1,561
E00212XP3YAX112MF3-W	A-123; A-248	\$2,040
E00218EP3WAX100LF3-W	A-243	\$845
E00218ET3WAX100LF3-W	A-243	\$1,116
E00218XP3WAX100LF3-W	A-123; A-248	\$1,783
E00236EP3WAX90LF3-W2	A-243	\$700
E00236ET3WAX90LF3-W2	A-243	\$924
E00236XP3WAX90LF3-W	A-123; A-248	\$1,534
E00312EP3YAX132SF3-W	A-243	\$1,684
E00312ET3YAX132SF3-W	A-243	\$2,225
E00312XP3YAX132SF3-W	A-123; A-248	\$3,224
E00318EP3WAX100LF3-W	A-243	\$1,016
E00318ET3WAXL100LF3W	A-243	\$1,342
E00318XP3YAX112MF3-W	A-123; A-248	\$2,137
E00336EP3WAX100LF3-W	A-243	\$916
E00336ET3WAX100LF3-W	A-243	\$1,210
E00336XP3WAX100LF3-W	A-123; A-248	\$1,918
E00412EP3YAX132MF3-W	A-243	\$1,910
E00412ET3YAX132MF3-W	A-243	\$2,524
E00412XP3YAX132MF3-W	A-123; A-248	\$3,607
E00418EP3YAX112MF3-W	A-243	\$1,388
E00418ET3YAX112MF3-W	A-243	\$1,712
E00418XP3YAX112MF3-W	A-123; A-248	\$2,468
E00436EP3YAX112MF3-W	A-243	\$1,174
E00436ET3YAX112MF3-W	A-243	\$1,552
E00436XP3YAX112MF3-W	A-123; A-248	\$2,414
E00512EP3YAX132MF3-W	A-243	\$2,312
E00512ET3YAX132MLF3W	A-243	\$3,052
E00512XP3YAX132MF3-W	A-123; A-248	\$3,800
E00518EP3YAX132SF3-W	A-244	\$1,798
E00518ET3YAX132SF3-W	A-244	\$2,218
E00518XP3YAX132SF3-W	A-123; A-248	\$3,025
E00536EP3YAX132SF3-W	A-244	\$1,613
E00536ET3YAX132SF3-W	A-244	\$2,132

Part Number	Page(s)	Price
E00536XP3YAX132SF3-W	A-123; A-248	\$3,083
E00712EP3YAX160MF3-W	A-244	\$3,221
E00712ET3YAX160MF3-W	A-244	\$4,256
E00712XP3YAX160MF3-W	A-123; A-248	\$5,017
E00718EP3YAX132MF3-W	A-244	\$2,135
E00718ET3YAX132MF3-W	A-244	\$2,634
E00718XP3YAX132MF3-W	A-123; A-248	\$3,685
E00736EP3YAX132SF3-W	A-244	\$1,833
E00736ET3YAX132SF3-W	A-244	\$2,422
E00736XP3YAX132SF3-W	A-123; A-248	\$3,556
E01112EP3YAX160LF3-W	A-244	\$4,243
E01112ET3YAX160LF3-W	A-244	\$5,607
E01112XP3YAX160LF3-W	A-123; A-248	\$5,281
E01118EP3YAX160MF3-W	A-244	\$3,331
E01118ET3YAX160MF3-W	A-244	\$4,108
E01118XP3YAX160MF3-W	A-123; A-248	\$4,151
E01136EP3YAX160MF3-W	A-244	\$3,150
E01136ET3YAX160MF3-W	A-244	\$4,163
E01136XP3YAX160MF3-W	A-124; A-248	\$4,148
E01512EP3YAX180LF3-W	A-244	\$5,388
E01512ET3YAX180LF3-W	A-244	\$7,119
E01512XP3YAX180LF3-W	A-124; A-248	\$6,436
E01518EP3YAX160LF3-W	A-244	\$3,622
E01518ET3YAX160LF3-W	A-244	\$4,696
E01518XP3YAX160LF3-W	A-124; A-248	\$4,608
E01536EP3YAX160MF3-W	A-244	\$3,398
E01536ET3YAX160MF3-W	A-244	\$4,490
E01536XP3YAX160MF3-W	A-124; A-248	\$4,924
E01812EP3YAX200LF3-W	A-244	\$7,499
E01812ET3YAX200LF3-W	A-244	\$9,910
E01812XP3YAX200LF3-W	A-124; A-248	\$8,379
E01818EP3YAX180MF3-W	A-244	\$5,439
E01818ET3YAX180MF3-W	A-244	\$6,708
E01818XP3YAX180MF3-W	A-124; A-248	\$6,059
E01836EP3YAX160LF3-W	A-244	\$3,960
E01836ET3YAX160LF3-W	A-244	\$5,233
E01836XP3YAX160LF3-W	A-124; A-248	\$5,915
E02212EP3YAX200LF3-W	A-244	\$7,956
E02212ET3YAX200LF3-W	A-244	\$10,539
E02212XP3YAX200LF3-W	A-124; A-248	\$9,487
E02218EP3YAX180LF3-W	A-244	\$5,934
E02218ET3YAX180LF3-W	A-244	\$7,319
E02218XP3YAX180LF3-W	A-124; A-248	\$6,706
E02236EP3YAX180MF3-W	A-244	\$5,140
E02236ET3YAX180MF3-W	A-244	\$6,792
E02236XP3YAX180MF3-W	A-124; A-248	\$7,099
E03012EP3YAX225SMF3W	A-244	\$12,034
E03012ET3YAX225SMF3W	A-244	\$15,902
E03012XP3YAX225SMF3W	A-124; A-248	\$12,936
E03018EP3YAX200LF3-W	A-244	\$7,716
E03018ET3YAX200LF3-W	A-244	\$10,004



Part Number	Page(s)	Price
E03018XP3YAX200LF3-W	A-124; A-248	\$8,717
E03036EP3YAX200LF3-W	A-244	\$7,515
E03036ET3YAX200LF3-W	A-244	\$9,931
E03036XP3YAX200LF3-W	A-124; A-248	\$8,824
E03712EP3YAX250SMF3W	A-244	\$13,422
E03712ET3YAX250SMF3W	A-244	\$17,736
E03712XP3YAX250SMF3W	A-124; A-248	\$15,176
E03718EP3YAX225SMF3W	A-244	\$10,284
E03718ET3YAX225SMF3W	A-244	\$13,553
E03718XP3YAX225SMF3W	A-124; A-248	\$11,099
E03736EP3YAX200LF3-W	A-244	\$7,987
E03736ET3YAX200LF3-W	A-244	\$10,554
E03736XP3YAX200LF3-W	A-124; A-248	\$10,812
E04512EP3YAX280SMF3W	A-244	\$20,481
E04512ET3YAX280SMF3W	A-244	\$27,064
E04512XP3YAX280SMF3W	A-124; A-248	\$21,544
E04518EP3YAX225SMF3W	A-245	\$11,696
E04518ET3YAX225SMF3W	A-245	\$15,411
E04518XP3YAX225SMF3W	A-124; A-248	\$12,846
E04536EP3YAX225SMF3W	A-245	\$12,588
E04536ET3YAX225SMF3W	A-245	\$16,634
E04536XP3YAX225SMF3W	A-124; A-248	\$17,255
E05512EP3YAX280SMF3W	A-245	\$20,781
E05512ET3YAX280SMF3W	A-245	\$27,355
E05512XP3YAX280SMF3W	A-124; A-248	\$27,320
E05518EP3YAX250SMF3W	A-245	\$14,354
E05518ET3YAX250SMF3W	A-245	\$18,916
E05518XP3YAX250SMF3W	A-124; A-248	\$19,034
E05536EP3YAX250SMF3W	A-245	\$14,893
E05536ET3YAX250SMF3W	A-245	\$19,680
E05536XP3YAX250SMF3W	A-124; A-249	\$21,608
E07512EP3YAX315SMF3W	A-245	\$23,092
E07512ET3YAX315SMF3W	A-245	\$30,515
E07512XP3YAX315SMF3W	A-124; A-249	\$31,133
E07518EP3YAX280SMF3W	A-245	\$20,544
E07518ET3YAX280SMF3W	A-245	\$27,072
E07518XP3YAX280SMF3W	A-124; A-249	\$23,986
E07536EP3YAX280SMF3W	A-245	\$20,430
E07536ET3YAX280SMF3W	A-245	\$26,996
E07536XP3YAX280SMF3W	A-125; A-249	\$30,248
E09012EP3YAX315SMF3W	A-245	\$27,076
E09012ET3YAX315SMF3W	A-245	\$35,779
E09012XP3YAX315SMF3W	A-125; A-249	\$40,124
E09018EP3YAX280SMF3W	A-245	\$21,307
E09018ET3YAX280SMF3W	A-245	\$28,077
E09018XP3YAX280SMF3W	A-125; A-249	\$33,209
E09036EP3YAX280SMF3W	A-245	\$21,712
E09036ET3YAX280SMF3W	A-245	\$28,691
E09036XP3YAX280SMF3W	A-125; A-249	\$36,063
E11012EP3YAX315SMF3W	A-245	\$34,367
E11012ET3YAX315SMF3W	A-245	\$45,413

Part Number	Page(s)	Price
E11012XP3YAX315SMF3W	A-125; A-249	\$48,658
E11018EP3YAX315SMF3W	A-245	\$27,068
E11018ET3YAX315SMF3W	A-245	\$35,670
E11018XP3YAX315SMF3W	A-125; A-249	\$37,846
E11036EP3YAX315SMF3W	A-245	\$26,144
E11036ET3YAX315SMF3W	A-245	\$34,547
E11036XP3YAX315SMF3W	A-125; A-249	\$42,763
E13212EP3YAX315SMF3W	A-245	\$52,853
E13212ET3YAX315SMF3W	A-245	\$76,749
E13212XP3YAX315SMF3W	A-125; A-249	\$82,346
E13218EP3YAX315SMF3W	A-245	\$31,689
E13218ET3YAX315SMF3W	A-245	\$42,877
E13218XP3YAX315SMF3W	A-125; A-249	\$45,939
E13236EP3YAX315SMF3W	A-245	\$29,862
E13236ET3YAX315SMF3W	A-245	\$39,500
E13236XP3YAX315SMF3W	A-125; A-249	\$54,064
E15012EP3YAX355MLF3W	A-245	\$62,660
E15012ET3YAX315LF3W2	A-245	\$82,712
E15018EP3YAX315SMF3W	A-245	\$33,286
E15018ET3YAX315SMF3W	A-245	\$43,938
E15036EP3YAX315SMF3W	A-245	\$31,360
E15036ET3YAX315SMF3W	A-245	\$41,396
E16012EP3YAX315LF3-W	A-245	\$60,176
E16012EP3YAX355MLF3W	A-245	\$65,792
E16012ET3YAX315LF3-W	A-246	\$79,990
E16012ET3YAX355MLF3W	A-246	\$86,940
E16012XP3YAX355MLF3W	A-125; A-249	\$90,159
E16018EP3YAX315SMF3W	A-246	\$36,046
E16018ET3YAX315SMF3W	A-246	\$47,534
E16018XP3YAX315SMF3W	A-125; A-249	\$50,129
E16036EP3YAX315SMF3W	A-246	\$38,870
E16036ET3YAX315SMF3W	A-246	\$51,363
E16036XP3YAX315SMF3W	A-125; A-249	\$67,306
E20012EP3YAX315LF3-W	A-246	\$66,948
E20012EP3YAX355MLF3W	A-246	\$74,007
E20012ET3YAX355MLF3W	A-246	\$97,795
E20012XP3YAX355MLF3W	A-125; A-249	\$110,130
E20018EP3YAX355MLF3W	A-246	\$64,081
E20018ET3YAX315LF3-W	A-246	\$70,770
E20018ET3YAX355MLF3W	A-246	\$76,925
E20018XP3YAX355MLF3W	A-125; A-249	\$80,905
E20036EP3YAX355MLF3W	A-246	\$66,531
E20036XP3YAX355MLF3W	A-125; A-249	\$100,962
E25012EP3YAX355MLF3W	A-246	\$88,256
E25012ET3YAX355MLF3W	A-246	\$111,338
E25012XP3YAX355MLF3W	A-125; A-249	\$133,308
E25018EP3YAX315LF3-W	A-246	\$62,457
E25018EP3YAX355MLF3W	A-246	\$67,456
E25018ET3YAX315LF3-W	A-246	\$76,550
E25018ET3YAX355MLF3W	A-246	\$83,195
E25018XP3YAX355MLF3W	A-125; A-249	\$94,903

Part Number	Page(s)	Price
E25036EP3YAX315LF3-W	A-246	\$73,948
E25036EP3YAX355MLF3W	A-246	\$82,191
E25036XP3YAX355MLF3W	A-125; A-249	\$111,375
E31518XP3YAX355MLF3W	A-125; A-249	\$108,540
E-35	A-144; A-337	\$350
E-40	A-144; A-337	\$350
ECHS25A-A	A-415	\$1,423
ECHS35A-A	A-415	\$1,590
ECHS35M-A	A-416	\$2,150
ECHS35R-D	A-416	\$1,418
ECHS35RTEBC-D	A-416	\$1,845
ECHSD38-D	A-416	\$1,418
EDP11S003GN12	A-332	\$6,510
EDP11S003GN1201000	A-342	\$7,273
EDP11S003GN1210000	A-341	\$8,020
EDP11S003GN1211000	A-343	\$8,783
EDP11S003GN3R	A-344	\$8,341
EDP11S003GN3R01000	A-346	\$9,104
EDP11S003GN3R10000	A-345	\$9,851
EDP11S003GN3R11000	A-347	\$10,614
EDP11S005GN12	A-332	\$6,626
EDP11S005GN1201000	A-342	\$7,389
EDP11S005GN1210000	A-341	\$8,136
EDP11S005GN1211000	A-343	\$8,899
EDP11S005GN3R	A-344	\$8,457
EDP11S005GN3R01000	A-346	\$9,220
EDP11S005GN3R10000	A-345	\$9,967
EDP11S005GN3R11000	A-347	\$10,730
EDP11S007DN12	A-341	\$6,690
EDP11S007DN1201000	A-343	\$7,453
EDP11S007DN1210000	A-342	\$8,200
EDP11S007DN1211000	A-344	\$8,963
EDP11S007DN3R	A-345	\$8,521
EDP11S007DN3R01000	A-347	\$9,284
EDP11S007DN3R10000	A-346	\$10,031
EDP11S007DN3R11000	A-348	\$10,794
EDP11S007GN12	A-341	\$6,690
EDP11S007GN1201000	A-343	\$7,453
EDP11S007GN1210000	A-342	\$8,200
EDP11S007GN1211000	A-344	\$8,963
EDP11S007GN3R	A-345	\$8,521
EDP11S007GN3R01000	A-347	\$9,284
EDP11S007GN3R10000	A-346	\$10,031
EDP11S007GN3R11000	A-348	\$10,794
EDP11S010DN12	A-341	\$6,756
EDP11S010DN1201000	A-343	\$7,519
EDP11S010DN1210000	A-342	\$8,276
EDP11S010DN1211000	A-344	\$9,039
EDP11S010DN3R	A-345	\$8,587
EDP11S010DN3R01000	A-347	\$9,350
EDP11S010DN3R10000	A-346	\$10,107

Part Number	Page(s)	Price
EDP11S010DN3R11000	A-348	\$10,870
EDP11S010GN12	A-341	\$6,756
EDP11S010GN1201000	A-343	\$7,519
EDP11S010GN1210000	A-342	\$8,276
EDP11S010GN1211000	A-344	\$9,039
EDP11S010GN3R	A-345	\$8,587
EDP11S010GN3R01000	A-347	\$9,350
EDP11S010GN3R10000	A-346	\$10,107
EDP11S010GN3R11000	A-348	\$10,870
EDP11S013DN12	A-341	\$6,855
EDP11S013DN1201000	A-343	\$7,618
EDP11S013DN1210000	A-342	\$8,375
EDP11S013DN1211000	A-344	\$9,138
EDP11S013DN3R	A-345	\$8,686
EDP11S013DN3R01000	A-347	\$9,449
EDP11S013DN3R10000	A-346	\$10,206
EDP11S013DN3R11000	A-348	\$10,969
EDP11S013GN12	A-341	\$6,855
EDP11S013GN1201000	A-343	\$7,618
EDP11S013GN1210000	A-342	\$8,375
EDP11S013GN1211000	A-344	\$9,138
EDP11S013GN3R	A-345	\$8,686
EDP11S013GN3R01000	A-347	\$9,449
EDP11S013GN3R10000	A-346	\$10,206
EDP11S013GN3R11000	A-348	\$10,969
EDP11S016DN12	A-341	\$7,123
EDP11S016DN1201000	A-343	\$7,886
EDP11S016DN1210000	A-342	\$8,643
EDP11S016DN1211000	A-344	\$9,406
EDP11S016DN3R	A-345	\$8,918
EDP11S016DN3R01000	A-347	\$9,681
EDP11S016DN3R10000	A-346	\$10,438
EDP11S016DN3R11000	A-348	\$11,201
EDP11S017GN12	A-341	\$7,269
EDP11S017GN1201000	A-343	\$8,032
EDP11S017GN1210000	A-342	\$8,867
EDP11S017GN1211000	A-344	\$9,630
EDP11S017GN3R	A-345	\$9,100
EDP11S017GN3R01000	A-347	\$9,863
EDP11S017GN3R10000	A-346	\$10,698
EDP11S017GN3R11000	A-348	\$11,461
EDP11S024DN12	A-341	\$7,664
EDP11S024DN1201000	A-343	\$8,427
EDP11S024DN1210000	A-342	\$9,262
EDP11S024DN1211000	A-344	\$10,025
EDP11S024DN3R	A-345	\$9,459
EDP11S024DN3R01000	A-347	\$10,222
EDP11S024DN3R10000	A-346	\$11,057
EDP11S024DN3R11000	A-348	\$11,820
EDP11S024GN12	A-341	\$7,821
EDP11S024GN1201000	A-343	\$8,584



Part Number	Page(s)	Price
EDP11S024GN1210000	A-342	\$9,613
EDP11S024GN1211000	A-344	\$10,376
EDP11S024GN3R	A-345	\$9,652
EDP11S024GN3R01000	A-347	\$10,415
EDP11S024GN3R10000	A-346	\$11,444
EDP11S024GN3R11000	A-348	\$12,207
EDP11S028DN12	A-341	\$8,408
EDP11S028DN1201000	A-343	\$9,171
EDP11S028DN1210000	A-342	\$10,200
EDP11S028DN1211000	A-344	\$10,963
EDP11S028DN3R	A-345	\$10,202
EDP11S028DN3R01000	A-347	\$10,965
EDP11S028DN3R10000	A-346	\$11,994
EDP11S028DN3R11000	A-348	\$12,757
EDP11S031GN12	A-341	\$8,580
EDP11S031GN1201000	A-343	\$9,343
EDP11S031GN1210000	A-342	\$10,483
EDP11S031GN1211000	A-344	\$11,246
EDP11S031GN3R	A-345	\$10,411
EDP11S031GN3R01000	A-347	\$11,174
EDP11S031GN3R10000	A-346	\$12,314
EDP11S031GN3R11000	A-348	\$13,077
EDP11S033DN12	A-341	\$9,108
EDP11S033DN1201000	A-343	\$9,871
EDP11S033DN1210000	A-342	\$11,011
EDP11S033DN1211000	A-344	\$11,774
EDP11S033DN3R	A-345	\$10,902
EDP11S033DN3R01000	A-347	\$11,665
EDP11S033DN3R10000	A-346	\$12,805
EDP11S033DN3R11000	A-348	\$13,568
EDP11S038GN12	A-341	\$9,293
EDP11S038GN1201000	A-343	\$10,056
EDP11S038GN1210000	A-342	\$11,395
EDP11S038GN1211000	A-344	\$12,158
EDP11S038GN3R	A-345	\$11,125
EDP11S038GN3R01000	A-347	\$11,888
EDP11S038GN3R10000	A-346	\$13,227
EDP11S038GN3R11000	A-348	\$13,873
EDP11S045DN12	A-341	\$10,214
EDP11S045DN1201000	A-343	\$10,977
EDP11S045DN1210000	A-342	\$12,316
EDP11S045DN1211000	A-344	\$13,079
EDP11S045DN3R	A-345	\$12,122
EDP11S045DN3R01000	A-347	\$12,885
EDP11S045DN3R10000	A-346	\$14,224
EDP11S045DN3R11000	A-348	\$14,987
EDP11S045GN12	A-341	\$10,422
EDP11S045GN1201000	A-343	\$11,185
EDP11S045GN1210000	A-342	\$12,669
EDP11S045GN1211000	A-344	\$13,432
EDP11S045GN3R	A-345	\$12,369

Part Number	Page(s)	Price
EDP11S045GN3R01000	A-347	\$13,132
EDP11S045GN3R10000	A-346	\$14,616
EDP11S045GN3R11000	A-348	\$15,233
EDP11S054DN12	A-341	\$11,491
EDP11S054DN1201000	A-343	\$12,254
EDP11S054DN1210000	A-342	\$13,738
EDP11S054DN1211000	A-344	\$14,501
EDP11S054DN3R	A-345	\$13,400
EDP11S054DN3R01000	A-347	\$14,163
EDP11S054DN3R10000	A-346	\$15,647
EDP11S054DN3R11000	A-348	\$16,410
EDP11S058GN12	A-341	\$12,026
EDP11S058GN1201000	A-343	\$12,789
EDP11S058GN1210000	A-342	\$14,721
EDP11S058GN1211000	A-344	\$15,484
EDP11S058GN3R	A-345	\$13,673
EDP11S058GN3R01000	A-347	\$14,436
EDP11S058GN3R10000	A-346	\$16,368
EDP11S058GN3R11000	A-348	\$16,683
EDP11S070DN12	A-341	\$12,162
EDP11S070DN1201000	A-343	\$12,925
EDP11S070DN1210000	A-342	\$14,857
EDP11S070DN1211000	A-344	\$15,620
EDP11S070DN3R	A-345	\$14,162
EDP11S070DN3R01000	A-347	\$14,925
EDP11S070DN3R10000	A-346	\$16,857
EDP11S070DN3R11000	A-348	\$17,620
EDP11S070GN12	A-341	\$12,729
EDP11S070GN1201000	A-343	\$13,492
EDP11S070GN1210000	A-342	\$15,424
EDP11S070GN1211000	A-344	\$16,187
EDP11S070GN3R	A-345	\$14,451
EDP11S070GN3R01000	A-347	\$15,214
EDP11S070GN3R10000	A-346	\$17,146
EDP11S070GN3R11000	A-348	\$17,909
EDP11S086DN12	A-341	\$14,321
EDP11S086DN1201000	A-343	\$15,084
EDP11S086DN1210000	A-342	\$17,016
EDP11S086DN1211000	A-344	\$17,779
EDP11S086DN3R	A-345	\$16,320
EDP11S086DN3R01000	A-347	\$17,083
EDP11S086DN3R10000	A-346	\$19,015
EDP11S086DN3R11000	A-348	\$19,778
EDP11S088GN12	A-341	\$14,988
EDP11S088GN1201000	A-343	\$15,751
EDP11S088GN1210000	A-342	\$17,876
EDP11S088GN1211000	A-344	\$18,639
EDP11S088GN3R	A-345	\$16,653
EDP11S088GN3R01000	A-347	\$17,416
EDP11S088GN3R10000	A-346	\$19,541
EDP11S088GN3R11000	A-348	\$20,304

Part Number	Page(s)	Price
EDP11S105DN12	A-341	\$17,164
EDP11S105DN1201000	A-343	\$17,927
EDP11S105DN1210000	A-342	\$20,052
EDP11S105DN1211000	A-344	\$20,815
EDP11S105DN3R	A-345	\$19,338
EDP11S105DN3R01000	A-347	\$20,101
EDP11S105DN3R10000	A-346	\$22,226
EDP11S105DN3R11000	A-348	\$22,989
EDP11S105GN12	A-341	\$17,964
EDP11S105GN1201000	A-343	\$18,727
EDP11S105GN1210000	A-342	\$21,308
EDP11S105GN1211000	A-344	\$22,071
EDP11S105GN3R	A-345	\$19,733
EDP11S105GN3R01000	A-347	\$20,496
EDP11S105GN3R10000	A-346	\$23,077
EDP11S105GN3R11000	A-348	\$23,840
EDP11S142DN12	A-341	\$19,793
EDP11S142DN1201000	A-343	\$20,556
EDP11S142DN1210000	A-342	\$24,778
EDP11S142DN1211000	A-344	\$25,541
EDP11S142DN3R	A-345	\$21,967
EDP11S142DN3R01000	A-347	\$22,730
EDP11S142DN3R10000	A-346	\$26,952
EDP11S142DN3R11000	A-348	\$27,715
EDP11S142GN12	A-341	\$20,715
EDP11S142GN1201000	A-343	\$21,478
EDP11S142GN1210000	A-342	\$25,700
EDP11S142GN1211000	A-344	\$26,463
EDP11S142GN3R	A-345	\$22,415
EDP11S142GN3R01000	A-347	\$23,178
EDP11S142GN3R10000	A-346	\$27,400
EDP11S142GN3R11000	A-348	\$28,163
EDP11S180DN12	A-341	\$25,116
EDP11S180DN1201000	A-343	\$25,879
EDP11S180DN1210000	A-342	\$31,111
EDP11S180DN1211000	A-344	\$31,874
EDP11S180DN3R	A-345	\$27,290
EDP11S180DN3R01000	A-347	\$28,053
EDP11S180DN3R10000	A-346	\$33,285
EDP11S180DN3R11000	A-348	\$34,048
EDP11S180GN12	A-341	\$26,286
EDP11S180GN1201000	A-343	\$27,049
EDP11S180GN1210000	A-342	\$32,281
EDP11S180GN1211000	A-344	\$33,044
EDP11S180GN3R	A-345	\$27,847
EDP11S180GN3R01000	A-347	\$28,610
EDP11S180GN3R10000	A-346	\$33,842
EDP11S180GN3R11000	A-348	\$34,605
EDP11S211DN12	A-341	\$28,326
EDP11S211DN1201000	A-343	\$29,089
EDP11S211DN1210000	A-342	\$35,651

Part Number	Page(s)	Price
EDP11S211DN1211000	A-344	\$36,414
EDP11S211DN3R	A-345	\$30,499
EDP11S211DN3R01000	A-347	\$31,262
EDP11S211DN3R10000	A-346	\$37,824
EDP11S211DN3R11000	A-348	\$38,587
EDP11S211GN12	A-341	\$29,645
EDP11S211GN1201000	A-343	\$30,408
EDP11S211GN1210000	A-342	\$36,970
EDP11S211GN1211000	A-344	\$37,733
EDP11S211GN3R	A-345	\$31,122
EDP11S211GN3R01000	A-347	\$31,885
EDP11S211GN3R10000	A-346	\$38,447
EDP11S211GN3R11000	A-348	\$39,210
EDP11S242GN12	A-341	\$40,755
EDP11S242GN1201000	A-343	\$41,613
EDP11S242GN1210000	A-342	\$53,334
EDP11S242GN1211000	A-344	\$54,097
EDP11S242GN3R	A-345	\$45,693
EDP11S242GN3R01000	A-347	\$46,456
EDP11S242GN3R10000	A-346	\$58,272
EDP11S242GN3R11000	A-348	\$59,035
EDP11S312GN12	A-341	\$45,114
EDP11S312GN1201000	A-343	\$45,972
EDP11S312GN1210000	A-342	\$59,257
EDP11S312GN1211000	A-344	\$60,115
EDP11S312GN3R	A-345	\$50,053
EDP11S312GN3R01000	A-347	\$50,911
EDP11S312GN3R10000	A-346	\$64,196
EDP11S312GN3R11000	A-348	\$65,054
EDP11S370GN12	A-341	\$47,743
EDP11S370GN1201000	A-343	\$48,601
EDP11S370GN1210000	A-342	\$62,146
EDP11S370GN1211000	A-344	\$63,004
EDP11S370GN3R	A-345	\$52,682
EDP11S370GN3R01000	A-347	\$53,540
EDP11S370GN3R10000	A-346	\$67,085
EDP11S370GN3R11000	A-348	\$67,943
EDP11S477GN12	A-341	\$54,585
EDP11S477GN1201000	A-343	\$55,443
EDP11S477GN1210000	A-342	\$76,618
EDP11S477GN1211000	A-344	\$77,476
EDP11S477GN3R	A-345	\$59,523
EDP11S477GN3R01000	A-347	\$60,381
EDP11S477GN3R10000	A-346	\$81,556
EDP11S477GN3R11000	A-348	\$82,414
EDP11S515GN12	A-341	\$66,023
EDP11S515GN1201000	A-343	\$66,881
EDP11S515GN1210000	A-342	\$88,056
EDP11S515GN1211000	A-344	\$88,914
EDP11S515GN3R	A-345	\$71,976
EDP11S515GN3R01000	A-347	\$72,834

Part Number	Page(s)	Price
EDP11S515GN3R10000	A-346	\$94,009
EDP11S515GN3R11000	A-348	\$94,867
EDP11S601GN12	A-341	\$71,875
EDP11S601GN1201000	A-343	\$72,733
EDP11S601GN1210000	A-342	\$99,447
EDP11S601GN1211000	A-344	\$100,305
EDP11S601GN3R	A-345	\$77,828
EDP11S601GN3R01000	A-347	\$78,686
EDP11S601GN3R10000	A-346	\$105,400
EDP11S601GN3R11000	A-348	\$106,258
EDP11S720GN12	A-341	\$88,556
EDP11S720GN1201000	A-343	\$89,414
EDP11S720GN1210000	A-342	\$119,944
EDP11S720GN1211000	A-344	\$120,802
EDP11S720GN3R	A-345	\$94,509
EDP11S720GN3R01000	A-347	\$95,367
EDP11S720GN3R10000	A-346	\$125,897
EDP11S720GN3R11000	A-348	\$126,755
ENCCBLMS-10	A-416	\$232
ENCCBLMS-20	A-416	\$413
ENCCBLMS-30	A-417	\$454
ENCCBLMS-50	A-417	\$672
ESW-105V18A-R44	A-356	\$1,028
ESW-105V18A-R45	A-356	\$1,028
ESW-105V18E-R44	A-363	\$975
ESW-105V18E-R45	A-363	\$975
ESW-105V24A-R44	A-363	\$1,028
ESW-105V24A-R45	A-363	\$1,028
ESW-105V24E-R44	A-363	\$975
ESW-105V24E-R45	A-363	\$975
ESW-105V47A-R44	A-363	\$1,028
ESW-105V47A-R45	A-363	\$1,028
ESW-105V47E-R44	A-363	\$975
ESW-105V47E-R45	A-363	\$975
ESW-40V18A-R35	A-363	\$345
ESW-40V18E-R35	A-363	\$292
ESW-40V24A-R35	A-363	\$345
ESW-40V24E-R35	A-363	\$292
ESW-40V47A-R35	A-363	\$345
ESW-40V47E-R35	A-363	\$292
ESW-50V18A-R38	A-363	\$403
ESW-50V18E-R38	A-363	\$350
ESW-50V24A-R38	A-363	\$403
ESW-50V24E-R38	A-363	\$350
ESW-50V47A-R38	A-363	\$403
ESW-50V47E-R38	A-363	\$350
ESW-65V18A-R39	A-363	\$428
ESW-65V18E-R39	A-363	\$375
ESW-65V24A-R39	A-363	\$428
ESW-65V24E-R39	A-363	\$375
ESW-65V47A-R39	A-363	\$428

Part Number	Page(s)	Price
ESW-65V47E-R39	A-363	\$375
ESW-80V18A-R41	A-363	\$474
ESW-80V18E-R41	A-363	\$421
ESW-80V24A-R41	A-363	\$474
ESW-80V24E-R41	A-363	\$421
ESW-80V47A-R41	A-363	\$474
ESW-80V47E-R41	A-363	\$421
ESW-95V18A-R43	A-363	\$929
ESW-95V18E-R43	A-363	\$876
ESW-95V24A-R43	A-363	\$929
ESW-95V24E-R43	A-363	\$876
ESW-95V47A-R43	A-363	\$929
ESW-95V47E-R43	A-363	\$876
ESW-B12D15A-R30	A-363	\$227
ESW-B12D15E-R30	A-363	\$174
ESW-B12D39A-R30	A-363	\$227
ESW-B12D39E-R30	A-363	\$174
ESW-B12V24A-R30	A-363	\$227
ESW-B12V24E-R30	A-363	\$174
ESW-B18D15A-R32	A-363	\$241
ESW-B18D15E-R32	A-363	\$188
ESW-B18D39A-R32	A-363	\$241
ESW-B18D39E-R32	A-363	\$188
ESW-B18V24A-R32	A-363	\$241
ESW-B18V24E-R32	A-363	\$188
ESW-B25D15A-R33	A-363	\$276
ESW-B25D15E-R33	A-363	\$223
ESW-B25D39A-R33	A-363	\$276
ESW-B25D39E-R33	A-363	\$223
ESW-B25V24A-R33	A-363	\$276
ESW-B25V24E-R33	A-363	\$223
ESW-B32D15A-R34	A-363	\$298
ESW-B32D15E-R34	A-363	\$245
ESW-B32D39A-R34	A-363	\$298
ESW-B32D39E-R34	A-363	\$245
ESW-B32V24A-R34	A-363	\$298
ESW-B32V24E-R34	A-363	\$245
ESW-B38D15A-R35	A-363	\$345
ESW-B38D15E-R35	A-363	\$292
ESW-B38D39A-R35	A-363	\$345
ESW-B38D39E-R35	A-363	\$292
ESW-B38V24A-R35	A-363	\$345
ESW-B38V24E-R35	A-363	\$292
ESW-B9D15A-R23	A-363	\$210
ESW-B9D15A-R24	A-363	\$210
ESW-B9D15A-R25	A-363	\$210
ESW-B9D15A-R26	A-363	\$210
ESW-B9D15A-R27	A-363	\$210
ESW-B9D15A-R28	A-363	\$210
ESW-B9D15A-R29	A-363	\$210
ESW-B9D15E-R23	A-363	\$157

Part Number	Page(s)	Price
ESW-B9D15E-R24	A-363	\$157
ESW-B9D15E-R25	A-363	\$157
ESW-B9D15E-R26	A-363	\$157
ESW-B9D15E-R27	A-363	\$157
ESW-B9D15E-R28	A-363	\$157
ESW-B9D15E-R29	A-363	\$157
ESW-B9D39A-R23	A-363	\$210
ESW-B9D39A-R24	A-363	\$210
ESW-B9D39A-R25	A-363	\$210
ESW-B9D39A-R26	A-363	\$210
ESW-B9D39A-R27	A-363	\$210
ESW-B9D39A-R28	A-363	\$210
ESW-B9D39A-R29	A-363	\$210
ESW-B9D39E-R23	A-363	\$157
ESW-B9D39E-R24	A-363	\$157
ESW-B9D39E-R25	A-363	\$157
ESW-B9D39E-R27	A-363	\$157
ESW-B9D39E-R28	A-363	\$157
ESW-B9D39E-R29	A-363	\$157
ESW-B9D39-R26	A-363	\$157
ESW-B9V24A-R23	A-363	\$210
ESW-B9V24A-R24	A-363	\$210
ESW-B9V24A-R25	A-363	\$210
ESW-B9V24A-R26	A-363	\$210
ESW-B9V24A-R27	A-363	\$210
ESW-B9V24A-R28	A-363	\$210
ESW-B9V24A-R29	A-363	\$210
ESW-B9V24E-R23	A-363	\$157
ESW-B9V24E-R24	A-363	\$157
ESW-B9V24E-R25	A-363	\$157
ESW-B9V24E-R26	A-363	\$157
ESW-B9V24E-R27	A-363	\$157
ESW-B9V24E-R28	A-363	\$157
ESW-B9V24E-R29	A-363	\$157
ESWC-105T02N4-R43	A-373	\$3,015
ESWC-105T02N4-R44	A-373	\$3,050
ESWC-105T04N4-R43	A-374	\$3,015
ESWC-105T04N4-R44	A-374	\$3,050
ESWC-105T05N4-R43	A-374	\$3,015
ESWC-105T05N4-R44	A-374	\$3,050
ESWC-105V18N4-R43	A-370	\$2,765
ESWC-105V18N4-R44	A-370	\$2,800
ESWC-105V24N4-R43	A-373	\$2,765
ESWC-105V24N4-R44	A-373	\$2,800
ESWC-105V47N4-R43	A-373	\$2,765
ESWC-105V47N4-R44	A-373	\$2,800
ESWC-150T02N4-R48	A-374	\$5,610
ESWC-150T02N4-R49	A-374	\$5,690
ESWC-150T04N4-R48	A-374	\$5,610
ESWC-150T04N4-R49	A-374	\$5,690
ESWC-150T05N4-R48	A-374	\$5,610

Part Number	Page(s)	Price
ESWC-150T05N4-R49	A-374	\$5,690
ESWC-150V18N4-R48	A-373	\$5,210
ESWC-150V18N4-R49	A-373	\$5,290
ESWC-150V24N4-R48	A-373	\$5,210
ESWC-150V24N4-R49	A-373	\$5,290
ESWC-150V47N4-R48	A-373	\$5,210
ESWC-150V47N4-R49	A-373	\$5,290
ESWC-180T02N4-R49	A-374	\$5,930
ESWC-180T04N4-R49	A-374	\$5,930
ESWC-180T05N4-R49	A-374	\$5,930
ESWC-180V18N4-R49	A-373	\$5,530
ESWC-180V24N4-R49	A-373	\$5,530
ESWC-180V47N4-R49	A-373	\$5,530
ESWC-25T02N4-R27	A-374	\$1,835
ESWC-25T02N4-R28	A-374	\$1,835
ESWC-25T02N4-R30	A-374	\$1,835
ESWC-25T02N4-R32	A-374	\$1,880
ESWC-25T02N4-R33	A-374	\$1,880
ESWC-25T04N4-R27	A-374	\$1,835
ESWC-25T04N4-R28	A-374	\$1,835
ESWC-25T04N4-R30	A-374	\$1,835
ESWC-25T04N4-R32	A-374	\$1,880
ESWC-25T04N4-R33	A-374	\$1,880
ESWC-25T05N4-R27	A-374	\$1,835
ESWC-25T05N4-R28	A-374	\$1,835
ESWC-25T05N4-R30	A-374	\$1,835
ESWC-25T05N4-R32	A-374	\$1,880
ESWC-25T05N4-R33	A-374	\$1,880
ESWC-25V18N4-R27	A-373	\$1,635
ESWC-25V18N4-R28	A-373	\$1,635
ESWC-25V18N4-R30	A-373	\$1,635
ESWC-25V18N4-R32	A-373	\$1,680
ESWC-25V18N4-R33	A-373	\$1,680
ESWC-25V24N4-R27	A-373	\$1,635
ESWC-25V24N4-R28	A-373	\$1,635
ESWC-25V24N4-R30	A-373	\$1,635
ESWC-25V24N4-R32	A-373	\$1,680
ESWC-25V24N4-R33	A-373	\$1,680
ESWC-25V47N4-R27	A-373	\$1,635
ESWC-25V47N4-R28	A-373	\$1,635
ESWC-25V47N4-R30	A-373	\$1,635
ESWC-25V47N4-R32	A-373	\$1,680
ESWC-25V47N4-R33	A-373	\$1,680
ESWC-300T02N4-R50	A-374	\$9,070
ESWC-300T02N4-R51	A-374	\$9,650
ESWC-300T04N4-R50	A-374	\$9,070
ESWC-300T04N4-R51	A-374	\$9,650
ESWC-300T05N4-R50	A-374	\$9,070
ESWC-300T05N4-R51	A-374	\$9,650
ESWC-300V18N4-R50	A-373	\$8,670
ESWC-300V18N4-R51	A-373	\$9,250

Part Number	Page(s)	Price
ESWC-300V24N4-R50	A-373	\$8,670
ESWC-300V24N4-R51	A-373	\$9,250
ESWC-300V47N4-R50	A-373	\$8,670
ESWC-40T02N4-R34	A-374	\$1,965
ESWC-40T02N4-R35	A-374	\$2,050
ESWC-40T02N4-R37	A-374	\$2,180
ESWC-40T04N4-R34	A-374	\$1,965
ESWC-40T04N4-R35	A-374	\$2,050
ESWC-40T04N4-R37	A-374	\$2,180
ESWC-40T05N4-R34	A-374	\$1,965
ESWC-40T05N4-R35	A-374	\$2,050
ESWC-40T05N4-R37	A-374	\$2,180
ESWC-40V18N4-R34	A-373	\$1,765
ESWC-40V18N4-R35	A-373	\$1,850
ESWC-40V18N4-R37	A-373	\$1,980
ESWC-40V24N4-R34	A-373	\$1,765
ESWC-40V24N4-R35	A-373	\$1,850
ESWC-40V24N4-R37	A-373	\$1,980
ESWC-40V47N4-R34	A-373	\$1,765
ESWC-40V47N4-R35	A-373	\$1,850
ESWC-40V47N4-R37	A-373	\$1,980
ESWC-65T02N4-R39	A-374	\$2,320
ESWC-65T02N4-R41	A-374	\$2,410
ESWC-65T04N4-R39	A-374	\$2,320
ESWC-65T04N4-R41	A-374	\$2,410
ESWC-65T05N4-R39	A-374	\$2,320
ESWC-65T05N4-R41	A-374	\$2,410
ESWC-65V18N4-R39	A-373	\$2,070
ESWC-65V18N4-R41	A-373	\$2,160
ESWC-65V24N4-R39	A-373	\$2,070
ESWC-65V24N4-R41	A-373	\$2,160
ESWC-65V47N4-R39	A-373	\$2,070
ESWC-65V47N4-R41	A-373	\$2,160
ESWE-18T02KX-D11	A-374	\$1,155
ESWE-18T04KX-D11	A-374	\$1,155
ESWE-18T05KX-D11	A-376	\$1,155
ESWE-18V18KX-D11	A-376	\$875
ESWE-18V24KX-D11	A-376	\$875
ESWE-18V47KX-D11	A-376	\$875
ESWE-25T02KX-D12	A-376	\$1,175
ESWE-25T04KX-D12	A-376	\$1,175
ESWE-25T05KX-D12	A-376	\$1,175
ESWE-25V18KX-D12	A-376	\$900
ESWE-25V24KX-D12	A-376	\$900
ESWE-25V47KX-D12	A-376	\$900
ESWE-40T02KX-D14	A-376	\$1,260
ESWE-40T04KX-D14	A-376	\$1,260
ESWE-40T05KX-D14	A-376	\$1,260
ESWE-40V18KX-D14	A-376	\$990
ESWE-40V24KX-D14	A-376	\$990
ESWE-40V47KX-D14	A-376	\$990

Part Number	Page(s)	Price
ESWE-9T02KX-D06	A-376	\$1,140
ESWE-9T02KX-D07	A-376	\$1,140
ESWE-9T02KX-D08	A-376	\$1,140
ESWE-9T02KX-D09	A-376	\$1,140
ESWE-9T02KX-D10	A-376	\$1,140
ESWE-9T04KX-D05	A-376	\$1,140
ESWE-9T04KX-D06	A-376	\$1,140
ESWE-9T04KX-D07	A-376	\$1,140
ESWE-9T04KX-D08	A-376	\$1,140
ESWE-9T04KX-D09	A-376	\$1,140
ESWE-9T04KX-D10	A-376	\$1,140
ESWE-9T05KX-D05	A-376	\$1,140
ESWE-9T05KX-D06	A-376	\$1,140
ESWE-9T05KX-D07	A-376	\$1,140
ESWE-9T05KX-D08	A-376	\$1,140
ESWE-9T05KX-D09	A-376	\$1,140
ESWE-9T05KX-D10	A-376	\$1,140
ESWE-9V18KX-D05	A-376	\$855
ESWE-9V18KX-D06	A-376	\$855
ESWE-9V18KX-D07	A-376	\$855
ESWE-9V18KX-D08	A-376	\$855
ESWE-9V18KX-D09	A-376	\$855
ESWE-9V18KX-D10	A-376	\$865
ESWE-9V24KX-D06	A-376	\$855
ESWE-9V24KX-D07	A-376	\$855
ESWE-9V24KX-D08	A-376	\$855
ESWE-9V24KX-D09	A-376	\$855
ESWE-9V24KX-D10	A-376	\$865
ESWE-9V47KX-D05	A-376	\$855
ESWE-9V47KX-D06	A-376	\$855
ESWE-9V47KX-D07	A-376	\$855
ESWE-9V47KX-D08	A-376	\$855
ESWE-9V47KX-D09	A-376	\$855
ESWE-9V47KX-D10	A-376	\$865
ESWF-105T02N4-D24	A-377	\$2,635
ESWF-105T04N4-D24	A-377	\$2,635
ESWF-105T05N4-D24	A-378	\$2,635
ESWF-105V18N4-D24	A-376	\$2,435
ESWF-105V24N4-D24	A-376	\$2,435
ESWF-105V47N4-D24	A-377	\$2,435
ESWF-18T02N4-D11	A-378	\$1,400
ESWF-18T04N4-D11	A-378	\$1,400
ESWF-18T05N4-D11	A-378	\$1,400
ESWF-18V18N4-D11	A-377	\$1,300
ESWF-18V24N4-D11	A-377	\$1,300
ESWF-18V47N4-D11	A-377	\$1,300
ESWF-25T02N4-D12	A-378	\$1,490
ESWF-25T04N4-D12	A-378	\$1,490
ESWF-25T05N4-D12	A-378	\$1,490
ESWF-25V18N4-D12	A-377	\$1,390
ESWF-25V24N4-D12	A-377	\$1,390

Part Number	Page(s)	Price
ESWF-25V47N4-D12	A-377	\$1,390
ESWF-40T02N4-D14	A-378	\$1,620
ESWF-40T04N4-D14	A-378	\$1,620
ESWF-40T05N4-D14	A-378	\$1,620
ESWF-40V18N4-D14	A-377	\$1,470
ESWF-40V24N4-D14	A-377	\$1,470
ESWF-40V47N4-D14	A-377	\$1,470
ESWF-50T02N4-D14	A-378	\$1,990
ESWF-50T04N4-D19	A-378	\$1,990
ESWF-50T05N4-D19	A-378	\$1,990
ESWF-50V18N4-D19	A-377	\$1,840
ESWF-50V24N4-D19	A-377	\$1,840
ESWF-50V47N4-D19	A-377	\$1,840
ESWF-65T02N4-D20	A-378	\$2,120
ESWF-65T04N4-D20	A-378	\$2,120
ESWF-65T05N4-D20	A-378	\$2,120
ESWF-65V18N4-D20	A-377	\$1,920
ESWF-65V24N4-D20	A-377	\$1,920
ESWF-65V47N4-D20	A-377	\$1,920
ESWF-80T02N4-D21	A-378	\$2,210
ESWF-80T04N4-D21	A-378	\$2,210
ESWF-80T05N4-D21	A-378	\$2,210
ESWF-80V18N4-D21	A-377	\$2,010
ESWF-80V24N4-D21	A-377	\$2,010
ESWF-80V47N4-D21	A-377	\$2,010
ESWF-95T02N4-D22	A-378	\$2,350
ESWF-95T02N4-D23	A-378	\$2,465
ESWF-95T04N4-D22	A-378	\$2,350
ESWF-95T04N4-D23	A-378	\$2,465
ESWF-95T05N4-D22	A-378	\$2,350
ESWF-95T05N4-D23	A-378	\$2,465
ESWF-95V18N4-D22	A-377	\$2,150
ESWF-95V18N4-D23	A-377	\$2,265
ESWF-95V24N4-D22	A-377	\$2,150
ESWF-95V24N4-D23	A-377	\$2,265
ESWF-95V47N4-D22	A-377	\$2,150
ESWF-95V47N4-D23	A-377	\$2,265
ESWF-9T02N4-D06	A-378	\$1,325
ESWF-9T02N4-D07	A-378	\$1,325
ESWF-9T02N4-D08	A-378	\$1,325
ESWF-9T02N4-D09	A-378	\$1,325
ESWF-9T02N4-D10	A-378	\$1,325
ESWF-9T04N4-D05	A-378	\$1,325
ESWF-9T04N4-D06	A-378	\$1,325
ESWF-9T04N4-D07	A-378	\$1,325
ESWF-9T04N4-D08	A-378	\$1,325
ESWF-9T04N4-D09	A-378	\$1,325
ESWF-9T04N4-D10	A-378	\$1,325
ESWF-9T05N4-D05	A-378	\$1,325
ESWF-9T05N4-D06	A-378	\$1,325
ESWF-9T05N4-D07	A-378	\$1,325

Part Number	Page(s)	Price
ESWF-9T05N4-D08	A-378	\$1,325
ESWF-9T05N4-D09	A-378	\$1,325
ESWF-9T05N4-D10	A-378	\$1,325
ESWF-9V18N4-D05	A-377	\$1,225
ESWF-9V18N4-D06	A-377	\$1,225
ESWF-9V18N4-D07	A-377	\$1,225
ESWF-9V18N4-D08	A-377	\$1,225
ESWF-9V18N4-D09	A-377	\$1,225
ESWF-9V18N4-D10	A-377	\$1,225
ESWF-9V24N4-D06	A-377	\$1,225
ESWF-9V24N4-D07	A-377	\$1,225
ESWF-9V24N4-D08	A-377	\$1,225
ESWF-9V24N4-D09	A-377	\$1,225
ESWF-9V24N4-D10	A-377	\$1,225
ESWF-9V47N4-D05	A-377	\$1,225
ESWF-9V47N4-D06	A-377	\$1,225
ESWF-9V47N4-D07	A-377	\$1,225
ESWF-9V47N4-D08	A-377	\$1,225
ESWF-9V47N4-D09	A-377	\$1,225
ESWF-9V47N4-D10	A-377	\$1,225
ESWS-40V18A-RM35	A-364	\$351
ESWS-40V18E-RM35	A-363	\$274
ESWS-40V24A-RM35	A-364	\$351
ESWS-40V24E-RM35	A-363	\$274
ESWS-50V18A-RM38	A-364	\$423
ESWS-50V18E-RM38	A-364	\$330
ESWS-50V24A-RM38	A-364	\$423
ESWS-50V24E-RM38	A-364	\$330
ESWS-B12D15A-RM30	A-364	\$227
ESWS-B12D15E-RM30	A-364	\$135
ESWS-B12V24A-RM30	A-364	\$227
ESWS-B12V24E-RM30	A-364	\$135
ESWS-B18D15A-RM31	A-364	\$241
ESWS-B18D15A-RM32	A-364	\$241
ESWS-B18D15E-RM31	A-364	\$161
ESWS-B18D15E-RM32	A-364	\$170
ESWS-B18V24A-RM31	A-364	\$241
ESWS-B18V24A-RM32	A-364	\$241
ESWS-B18V24E-RM31	A-364	\$161
ESWS-B18V24E-RM32	A-364	\$170
ESWS-B25D15A-RM33	A-364	\$276
ESWS-B25D15E-RM33	A-364	\$180
ESWS-B25V24A-RM33	A-364	\$276
ESWS-B25V24E-RM33	A-364	\$180
ESWS-B32D15A-RM34	A-364	\$276
ESWS-B32D15E-RM34	A-364	\$230
ESWS-B32V24A-RM34	A-364	\$276
ESWS-B32V24E-RM34	A-364	\$230
ESWS-B38D15A-RM35	A-364	\$327
ESWS-B38D15E-RM35	A-364	\$274
ESWS-B38V24A-RM35	A-364	\$327



Part Number	Page(s)	Price
ESWS-B38V24E-RM35	A-364	\$274
ESWS-B9D15A-RM23	A-364	\$188
ESWS-B9D15A-RM24	A-364	\$188
ESWS-B9D15A-RM25	A-364	\$188
ESWS-B9D15A-RM26	A-364	\$188
ESWS-B9D15A-RM27	A-364	\$188
ESWS-B9D15A-RM28	A-364	\$188
ESWS-B9D15A-RM29	A-364	\$188
ESWS-B9D15E-RM23	A-364	\$135
ESWS-B9D15E-RM24	A-364	\$135
ESWS-B9D15E-RM25	A-364	\$135
ESWS-B9D15E-RM26	A-364	\$135
ESWS-B9D15E-RM27	A-364	\$135
ESWS-B9D15E-RM28	A-364	\$135
ESWS-B9D15E-RM29	A-364	\$135
ESWS-B9V24A-RM23	A-364	\$188
ESWS-B9V24A-RM24	A-364	\$188
ESWS-B9V24A-RM25	A-364	\$188
ESWS-B9V24A-RM26	A-364	\$188
ESWS-B9V24A-RM27	A-364	\$188
ESWS-B9V24A-RM28	A-364	\$188
ESWS-B9V24A-RM29	A-364	\$188
ESWS-B9V24E-RM23	A-364	\$135
ESWS-B9V24E-RM24	A-364	\$135
ESWS-B9V24E-RM25	A-364	\$135
ESWS-B9V24E-RM26	A-364	\$135
ESWS-B9V24E-RM27	A-364	\$135
ESWS-B9V24E-RM28	A-364	\$135
ESWS-B9V24E-RM29	A-364	\$135
ESWX-105V18A79-R43	A-385	\$4,600
ESWX-105V18A79-R44	A-385	\$4,600
ESWX-105V18A79-R45	A-386	\$4,600
ESWX-105V18E79-R43	A-386	\$3,870
ESWX-105V18E79-R44	A-386	\$3,870
ESWX-105V18E79-R45	A-386	\$3,870
ESWX-105V24A79-R43	A-386	\$4,600
ESWX-105V24A79-R45	A-386	\$4,600
ESWX-105V24E79-R43	A-386	\$3,870
ESWX-105V24E79-R45	A-386	\$3,870
ESWX-105V47A79-R43	A-386	\$4,600
ESWX-105V47A79-R44	A-386	\$4,600
ESWX-105V47E79-R43	A-386	\$3,870
ESWX-105V47E79-R44	A-386	\$3,870
ESWX-25V18A79-R23	A-386	\$3,850
ESWX-25V18A79-R24	A-386	\$3,850
ESWX-25V18A79-R25	A-386	\$3,850
ESWX-25V18A79-R26	A-386	\$3,850
ESWX-25V18A79-R27	A-386	\$3,850
ESWX-25V18A79-R28	A-386	\$3,850
ESWX-25V18A79-R29	A-386	\$3,850
ESWX-25V18A79-R30	A-386	\$3,850

Part Number	Page(s)	Price
ESWX-25V18A79-R32	A-386	\$3,850
ESWX-25V18A79-R33	A-386	\$3,850
ESWX-25V18E79-R23	A-386	\$3,250
ESWX-25V18E79-R24	A-386	\$3,250
ESWX-25V18E79-R25	A-386	\$3,250
ESWX-25V18E79-R26	A-386	\$3,250
ESWX-25V18E79-R27	A-386	\$3,250
ESWX-25V18E79-R28	A-386	\$3,250
ESWX-25V18E79-R29	A-386	\$3,250
ESWX-25V18E79-R30	A-386	\$3,250
ESWX-25V18E79-R32	A-386	\$3,250
ESWX-25V18E79-R33	A-386	\$3,250
ESWX-25V24A79-R23	A-386	\$3,850
ESWX-25V24A79-R25	A-386	\$3,850
ESWX-25V24A79-R26	A-386	\$3,850
ESWX-25V24A79-R27	A-386	\$3,850
ESWX-25V24A79-R28	A-386	\$3,850
ESWX-25V24A79-R29	A-386	\$3,850
ESWX-25V24A79-R32	A-386	\$3,850
ESWX-25V24A79-R33	A-386	\$3,850
ESWX-25V24E79-R23	A-386	\$3,250
ESWX-25V24E79-R25	A-386	\$3,250
ESWX-25V24E79-R26	A-386	\$3,250
ESWX-25V24E79-R27	A-386	\$3,250
ESWX-25V24E79-R28	A-386	\$3,250
ESWX-25V24E79-R29	A-386	\$3,250
ESWX-25V24E79-R32	A-386	\$3,250
ESWX-25V24E79-R33	A-386	\$3,250
ESWX-25V47A79-R23	A-386	\$3,850
ESWX-25V47A79-R24	A-386	\$3,850
ESWX-25V47A79-R25	A-386	\$3,850
ESWX-25V47A79-R26	A-386	\$3,850
ESWX-25V47A79-R27	A-386	\$3,850
ESWX-25V47A79-R28	A-386	\$3,850
ESWX-25V47A79-R30	A-386	\$3,850
ESWX-25V47A79-R32	A-386	\$3,850
ESWX-25V47A79-R33	A-386	\$3,850
ESWX-25V47E79-R23	A-386	\$3,250
ESWX-25V47E79-R24	A-386	\$3,250
ESWX-25V47E79-R25	A-386	\$3,250
ESWX-25V47E79-R26	A-386	\$3,250
ESWX-25V47E79-R27	A-386	\$3,250
ESWX-25V47E79-R28	A-386	\$3,250
ESWX-25V47E79-R30	A-386	\$3,250
ESWX-25V47E79-R32	A-386	\$3,250
ESWX-40V18A79-R34	A-386	\$3,950
ESWX-40V18A79-R35	A-386	\$3,950
ESWX-40V18E79-R34	A-386	\$3,300
ESWX-40V18E79-R35	A-386	\$3,300
ESWX-40V24A79-R34	A-386	\$3,950

Part Number	Page(s)	Price
ESWX-40V24A79-R35	A-386	\$3,950
ESWX-40V24E79-R34	A-386	\$3,300
ESWX-40V24E79-R35	A-386	\$3,300
ESWX-40V47A79-R34	A-386	\$3,950
ESWX-40V47A79-R35	A-386	\$3,950
ESWX-40V47E79-R34	A-386	\$3,300
ESWX-40V47E79-R35	A-386	\$3,300
ESWX-80V18A79-R38	A-386	\$4,050
ESWX-80V18A79-R39	A-386	\$4,050
ESWX-80V18A79-R41	A-386	\$4,050
ESWX-80V18E79-R38	A-386	\$3,400
ESWX-80V18E79-R39	A-386	\$3,400
ESWX-80V18E79-R41	A-386	\$3,420
ESWX-80V24A79-R38	A-386	\$4,050
ESWX-80V24A79-R39	A-386	\$4,050
ESWX-80V24A79-R41	A-386	\$4,050
ESWX-80V24E79-R38	A-386	\$3,400
ESWX-80V24E79-R39	A-386	\$3,400
ESWX-80V24E79-R41	A-386	\$3,420
ESWX-80V47A79-R38	A-386	\$4,050
ESWX-80V47A79-R39	A-386	\$4,050
ESWX-80V47A79-R41	A-386	\$4,050
ESWX-80V47E79-R38	A-386	\$3,400
ESWX-80V47E79-R39	A-386	\$3,400
ESWX-80V47E79-R41	A-386	\$3,420
ESWX-M100R79-U075	A-383	\$3,350
ESWX-M100R79-U090	A-383	\$3,350
ESWX-M100R79-U100	A-384	\$3,350
ESWX-M16A79-D016	A-378	\$1,595
ESWX-M16A79-D025	A-378	\$1,595
ESWX-M16A79-D063	A-383	\$1,595
ESWX-M16A79-U001	A-383	\$1,595
ESWX-M16A79-U004	A-383	\$1,595
ESWX-M16A79-U010	A-383	\$1,595
ESWX-M16A79-U016	A-383	\$1,595
ESWX-M25R79-D016	A-384	\$2,200
ESWX-M25R79-D025	A-384	\$2,200
ESWX-M25R79-D063	A-384	\$2,200
ESWX-M25R79-U001	A-384	\$2,200
ESWX-M25R79-U004	A-384	\$2,200
ESWX-M25R79-U010	A-384	\$2,200
ESWX-M25R79-U016	A-384	\$2,200
ESWX-M25R79-U020	A-384	\$2,200
ESWX-M25R79-U025	A-384	\$2,200
ESWX-M25R79-U032	A-384	\$2,200
ESWX-M65R79-U040	A-384	\$2,600
ESWX-M65R79-U050	A-384	\$2,600
ESWX-M65R79-U065	A-384	\$2,600
ETHERNET/IP-05	A-386	\$1,100
FAN -E1404P-AL	A-422	\$116
FAN-11101736-AL-W22	A-423; A-424	\$580

Part Number	Page(s)	Price
FAN-11101737-AL-W22	A-423	\$250
FAN-11101746-AL-W22	A-424; A-425	\$3,293
FAN-11272463-AL-W22	A-424; A-425	\$511
FAN-11482642-W22	A-420; A-421; A-426	\$74
FAN-11482679-W22	A-420; A-421; A-426	\$66
FAN-E100	A-419	\$18
FAN-E100-AL	A-423; A-424	\$161
FAN-E1404P-AL	A-422	\$116
FAN-E1804P-AL-B	A-423; A-424	\$223
FAN-E180W21024P-AL	A-420; A-421	\$112
FAN-E180W2102P	A-419	\$12
FAN-E180W2104P	A-420; A-421; A-426	\$19
FAN-E210-2/8P-AL	A-423	\$147
FAN-E2102P	A-420; A-421; A-426	\$17
FAN-E210-4/6P-AL	A-423; A-424	\$313
FAN-E2104P	A-420; A-421; A-426	\$24
FAN-E2502-4P-AL-W22	A-423; A-424	\$116
FAN-E2502P	A-406	\$12
FAN-E2504P	A-420; A-421	\$24
FAN-E2504P-AL-B	A-423; A-424	\$259
FAN-E2802P	A-420; A-421	\$12
FAN-E2802P-AL	A-423; A-424	\$112
FAN-E2804P	A-420; A-421	\$24
FAN-E2804P-AL-W22	A-423; A-424	\$161
FAN-E3202P	A-420; A-421	\$18
FAN-E3202P-AL-W22	A-423; A-424	\$157
FAN-E3204P	A-420; A-421	\$27
FAN-E3204P-AL	A-423; A-424	\$421
FAN-E360/4002P-W22	A-422	\$59
FAN-E360-4002PAL-W22	A-423; A-424	\$205
FAN-E440/500468P-W22	A-422	\$89
FAN-E444-505/2P-W22	A-422	\$63
FAN-E63	A-420; A-421	\$6
FAN-E63-AL	A-423; A-424	\$55
FAN-E71	A-406	\$7
FAN-E71-AL	A-420; A-421	\$70
FAN-E80	A-420; A-426	\$8
FAN-E80-AL	A-423; A-424	\$88
FAN-FD56/140-15MM	A-425	\$12
FAN-FD56/140-17MM	A-420; A-421	\$12
FAN-W22-11101738-AL	A-423; A-424	\$902
FAN-W22-11101739-AL	A-424; A-425	\$280
FAN-W22-11101744-AL	A-424; A-425	\$2,042
FCO-BM140-W22	A-414	\$185
FCO-BM180-W22	A-414	\$222
FCO-BM210-W22	A-414	\$222
FCO-BM250-W22	A-414	\$406
FCO-BM280-W22	A-414	\$406
FCO-BM320-W22	A-414	\$611
FCO-E100	A-424; A-425	\$33
FCO-E140-W22	A-424	\$26



Part Number	Page(s)	Price
FCO-E180-S	A-425	\$46
FCO-E180-W22	A-425	\$38
FCO-E210-S	A-426	\$49
FCO-E210-W22	A-425	\$53
FCO-E250-S	A-426	\$89
FCO-E250-W22	A-425	\$121
FCO-E280-W22	A-425	\$149
FCO-E320-W22	A-425	\$256
FCO-E360-W22	A-425	\$672
FCO-E400-W22	A-425	\$672
FCO-E440-W22	A-425	\$1,032
FCO-E48/W56-S	A-426	\$20
FCO-E500-W22	A-425	\$1,032
FCO-E56/140-S	A-426	\$19
FCO-E580-W22	A-425	\$1,605
FCO-E63	A-425	\$23
FCO-E71	A-425	\$23
FCO-E80	A-425	\$23
FCO-EL440-W22	A-425	\$1,032
FLC-0440-314-W40	A-407	\$2,457
FLC-0440-319-W40	A-407	\$2,457
FLC-048/W56-S	A-408	\$67
FLC-E140-S	A-394	\$85
FLC-E140-UBC	A-394	\$85
FLC-E180-S	A-406; A-407	\$145
FLC-E180-UBC-W22	A-406	\$145
FLC-E210-S	A-406	\$150
FLC-E210-UBC	A-406	\$150
FLC-E250-S	A-406	\$195
FLC-E250-W22	A-406	\$195
FLC-E280	A-406	\$290
FLC-E320	A-406	\$440
FLC-E360-314-W22	A-292	\$575
FLC-E400-314	A-292	\$620
FLC-E400-316	A-406	\$620
FLC-E440-314	A-406; A-407	\$830
FLC-E440-319	A-406	\$830
FLC-E440-322	A-406	\$830
FLC-E48/W56-S	A-406	\$80
FLC-E500-314-W22	A-406	\$1,200
FLC-E500-319-W22	A-406	\$1,200
FLC-E500-322-W22	A-406	\$1,200
FLC-E56-203-FC149	A-406	\$85
FLC-E56-203-FC149-S	A-407	\$85
FLC-E56-204-FC149	A-407	\$85
FLC-E56-204-S	A-407	\$85
FLC-E580-314	A-406	\$1,465
FLC-E580-316	A-407	\$1,650
FLC-E580-322	A-406	\$1,650
FLC-E580-324	A-406	\$1,650
FLC-EL440-314-W22	A-406	\$1,200

Part Number	Page(s)	Price
FLC-EL440-322-W22	A-406	\$1,200
FLC-ERS140-UBC	A-406	\$85
FLC-ERS180-UBC	A-406	\$145
FLC-ERS210-UBC	A-406; A-407	\$150
FLC-ERSW180-UBC	A-406	\$145
FLC-IE140	A-406	\$250
FLC-IE180-W22	A-406	\$285
FLC-IE210	A-406	\$300
FLC-IE250-W22	A-406	\$325
FLC-IE280	A-406	\$365
FLC-IE320	A-406	\$550
FLC-IM100DIN-AL-UBC	A-407	\$128
FLC-IM112DIN-AL-UBC	A-407	\$145
FLC-IM112DIN-UBC-W22	A-407	\$145
FLC-IM132DIN-AL-UBC	A-407	\$150
FLC-IM160DIN-W22	A-407	\$195
FLC-IM160-W22	A-407	\$195
FLC-IM180	A-407	\$290
FLC-IM200	A-407	\$440
FLC-IM280-316	A-407	\$830
FLC-IM63DIN-AL	A-407	\$39
FLC-IM71DIN-AL-BC	A-407	\$43
FLC-IM71DIN-BC-W22	A-407	\$43
FLC-IM80DIN-AL-BC	A-407	\$45
FLC-IM90DIN-AL-UBC	A-407	\$85
FLC-O140-S	A-408	\$85
FLC-O140-UBC	A-408	\$85
FLC-O180-S	A-408	\$145
FLC-O180-UBC	A-408	\$145
FLC-O210-S	A-408	\$150
FLC-O210-UBC	A-408	\$150
FLC-O250	A-408	\$195
FLC-O250-S	A-408	\$195
FLC-O280	A-408	\$290
FLC-O320	A-408	\$440
FLC-O360-314	A-408	\$575
FLC-O400-316	A-408	\$620
FLC-O440-314	A-408	\$830
FLC-O440-319	A-408	\$830
FLC-O48-203-FC149	A-408	\$85
FLC-O48-203-FC95	A-408	\$85
FLC-O56-203-FC149-S	A-408	\$85
FLC-O56-204-FC149	A-408	\$85
FLC-O56-204-S	A-408	\$85
FLC-RS250	A-406	\$195
FLC-RSW250	A-406	\$195
FLC-X140	A-407	\$120
FLC-X180	A-407	\$201
FLC-X210	A-407	\$214
FLC-X250	A-407	\$291
FLC-X280	A-407	\$517

Part Number	Page(s)	Price
FLC-X320	A-407	\$663
FLC-X360-314	A-407	\$992
FLC-X400-217	A-407	\$1,210
FLC-X440-219	A-407	\$1,508
FLC-X440-314	A-407	\$1,508
FLC-X440-319	A-407	\$1,508
FLD-0440-314-W40	A-409	\$3,900
FLD-E140-UBC	A-408	\$98
FLD-E180-W22	A-408	\$171
FLD-E210-UBC	A-409	\$184
FLD-E250-W22	A-409	\$244
FLD-E280	A-409	\$318
FLD-E320	A-409	\$465
FLD-E360-314-W22	A-409	\$620
FLD-E400-314	A-409	\$765
FLD-E400-316	A-409	\$765
FLD-E440-314	A-409	\$932
FLD-E440-319	A-409	\$932
FLD-E440-322	A-409	\$932
FLD-E500-314-W22	A-409	\$1,350
FLD-E500-319-W22	A-409	\$1,350
FLD-E500-322-W22	A-409	\$1,350
FLD-E580-314	A-409	\$2,130
FLD-E580-322	A-409	\$2,130
FLD-E580-324	A-409	\$2,130
FLD-EL440-314-W22	A-409	\$1,350
FLD-EL440-322-W22	A-409	\$1,350
FLD-IE210	A-409	\$350
FLD-IE250-W22	A-409	\$425
FLD-IE280	A-409	\$490
FLD-IE320	A-409	\$785
FLD-O280	A-409	\$318
FLD-O320	A-410	\$465
FLD-O360-314	A-410	\$620
FLD-O360-314-W40	A-410	\$620
FLD-O400-314-W40	A-410	\$765
FLD-O400-316	A-410	\$765
FLD-O440-314	A-410	\$932
FLD-O440-319	A-410	\$932
FLD-X140	A-410	\$154
FLD-X180	A-410	\$210
FLD-X210	A-410	\$291
FLD-X250	A-410	\$534
FLD-X280	A-410	\$637
FLD-X320	A-410	\$795
FLD-X360-314	A-410	\$1,141
FLD-X400-217	A-410	\$1,338
FLD-X400-314	A-410	\$1,338
FLD-X440-219	A-410	\$1,878
FLD-X440-314	A-410	\$1,878
FLD-X440-319	A-410	\$1,878

Part Number	Page(s)	Price
FLF-IM225-W22	A-410	\$620
FLF-IM250	A-410	\$765
FLF-IM280-314	A-410	\$932
FLF-IM280-316	A-410	\$932
FLF-IM315-314-W22	A-410	\$1,350
FLF-IM315-319-W22	A-410	\$1,350
GH1001	A-295	\$470
GH1002	A-295	\$470
GH1003	A-297	\$470
GH1004	A-297	\$460
GH1005	A-297	\$460
GH1006	A-297	\$460
GH2001	A-297	\$651
GH2002	A-297	\$651
GH2003	A-298	\$651
GH2004	A-298	\$656
GH2005	A-298	\$663
GH2006	A-298	\$663
GH2007	A-298	\$663
GH2008	A-298	\$653
GH2009	A-298	\$653
GH2010	A-298	\$653
GH2011	A-298	\$667
GH3301	A-298	\$581
GH3302	A-298	\$581
GH3303	A-299	\$581
GH3304	A-299	\$581
GH3305	A-299	\$581
GL2001	A-298	\$656
GL2002	A-298	\$667
GL2003	A-298	\$658
GL2004	A-298	\$658
GPH2005PC2000	A-354	\$3,900
GPH2005PC2001	A-355	\$4,395
GPH2005QC2000	A-348	\$3,650
GPH2005QC2001	A-353	\$4,145
GPH2007PC2000	A-354	\$4,032
GPH2007PC2001	A-355	\$4,527
GPH2007QC2000	A-348	\$3,750
GPH2007QC2001	A-353	\$4,245
GPH2010PC2000	A-355	\$4,243
GPH2010PC2001	A-356	\$4,738
GPH2010PC4000	A-355	\$3,900
GPH2010PC4001	A-356	\$4,395
GPH2010QC2000	A-353	\$3,900
GPH2010QC2001	A-354	\$4,395
GPH2010QC4000	A-353	\$3,650
GPH2010QC4001	A-354	\$4,145
GPH2015PC2000	A-355	\$4,865
GPH2015PC2001	A-356	\$5,360
GPH2015PC4000	A-355	\$4,032

Part Number	Page(s)	Price
GPH2015PC4001	A-356	\$4,527
GPH2015QC2000	A-353	\$4,300
GPH2015QC2001	A-354	\$4,795
GPH2015QC4000	A-353	\$3,750
GPH2015QC4001	A-354	\$4,245
GPH2020PC4000	A-355	\$4,243
GPH2020PC4001	A-356	\$4,738
GPH2020QC4000	A-353	\$3,900
GPH2020QC4001	A-354	\$4,395
GPH2025PC2000	A-355	\$5,412
GPH2025PC2001	A-356	\$5,907
GPH2025QC2000	A-353	\$4,800
GPH2025QC2001	A-354	\$5,295
GPH2030PC2000	A-355	\$6,585
GPH2030PC2001	A-356	\$7,080
GPH2030PC4000	A-355	\$4,865
GPH2030PC4001	A-356	\$5,360
GPH2030QC2000	A-353	\$5,800
GPH2030QC2001	A-354	\$6,295
GPH2030QC4000	A-353	\$4,300
GPH2030QC4001	A-354	\$4,795
GPH2050PC2000	A-355	\$8,260
GPH2050PC2001	A-356	\$8,755
GPH2050PC4000	A-355	\$5,412
GPH2050PC4001	A-356	\$5,907
GPH2050QC2000	A-353	\$6,990
GPH2050QC2001	A-354	\$7,485
GPH2050QC4000	A-353	\$4,800
GPH2050QC4001	A-354	\$5,295
GPH2060PC2000	A-355	\$9,013
GPH2060PC2001	A-356	\$9,508
GPH2060QC2000	A-353	\$7,500
GPH2060QC2001	A-354	\$7,995
GPH2075PC2000	A-355	\$10,350
GPH2075PC2001	A-356	\$10,845
GPH2075PC4000	A-355	\$6,585
GPH2075PC4001	A-356	\$7,080
GPH2075QC2000	A-353	\$8,450
GPH2075QC2001	A-354	\$8,945
GPH2075QC4000	A-353	\$5,800
GPH2075QC4001	A-354	\$6,295
GPH2100PC2000	A-355	\$12,965
GPH2100PC2001	A-356	\$13,460
GPH2100PC4000	A-355	\$8,260
GPH2100PC4001	A-356	\$8,755
GPH2100QC2000	A-353	\$10,700
GPH2100QC2001	A-354	\$11,195
GPH2100QC4000	A-353	\$6,990
GPH2100QC4001	A-354	\$7,485
GPH2125PC2000	A-355	\$14,847
GPH2125PC2001	A-356	\$15,342

Part Number	Page(s)	Price
GPH2125PC4000	A-355	\$9,013
GPH2125PC4001	A-356	\$9,508
GPH2125QC2000	A-353	\$11,880
GPH2125QC2001	A-354	\$12,375
GPH2125QC4000	A-353	\$7,500
GPH2125QC4001	A-354	\$7,995
GPH2150PC2000	A-355	\$15,706
GPH2150PC2001	A-356	\$16,201
GPH2150PC4000	A-355	\$10,350
GPH2150PC4001	A-356	\$10,845
GPH2150QC2000	A-353	\$12,700
GPH2150QC2001	A-354	\$13,195
GPH2150QC4000	A-353	\$8,450
GPH2150QC4001	A-354	\$8,945
GPH2175PC2000	A-355	\$21,075
GPH2175PC2001	A-356	\$21,570
GPH2175QC2000	A-353	\$14,500
GPH2175QC2001	A-354	\$14,995
GPH2200PC4000	A-355	\$12,965
GPH2200PC4001	A-356	\$13,460
GPH2200QC4000	A-353	\$10,700
GPH2200QC4001	A-354	\$11,195
GPH2250PC4000	A-355	\$14,847
GPH2250PC4001	A-356	\$15,342
GPH2250QC4000	A-353	\$11,880
GPH2250QC4001	A-354	\$12,375
GPH2300PC4000	A-355	\$15,706
GPH2300PC4001	A-356	\$16,201
GPH2300QC4000	A-353	\$12,700
GPH2300QC4001	A-354	\$13,195
GPH2350PC4000	A-355	\$21,075
GPH2350PC4001	A-356	\$21,570
GPH2350QC4000	A-353	\$14,500
GPH2350QC4001	A-354	\$14,995
H311007110	A-129; A-131	\$4,953
H311007111	A-129; A-131	\$4,210
H311007112	A-130; A-132	\$4,924
H311007113	A-130; A-132	\$4,155
HMI-01	A-394	\$320
HMI-02	A-330	\$320
HMI-03	A-330	\$320
HMI-CFW08-RS	A-143; A-322; A-330; A-336	\$135
HMI-01	A-330	\$54
IHM-CAB-RS-10M	A-330	\$102
IHM-CAB-RS-1M	A-330	\$54
IHM-CAB-RS-2M	A-330	\$60
IHM-CAB-RS-3M	A-330	\$66
IHM-CAB-RS-5M	A-330	\$75
IHM-CAB-RS-7.5M	A-330	\$90
IOE-04	A-394	\$2,795
KAC-120-CFW08	A-143; A-322; A-330; A-336	\$145

Part Number	Page(s)	Price
KCS-CFW08	A-143; A-336	\$97
KDC-24V-CFW08	A-143; A-336	\$177
KDC-24VR-CFW08	A-143; A-336	\$211
KESWFP	A-364	\$80
KESWHP	A-364	\$80
KESWPE	A-365	\$80
KESWPP	A-365	\$25
KESWPS	A-365	\$80
KIP21D-01	A-330	\$120
KN1A-02	A-330	\$125
KN1B-02	A-330	\$125
KN1C-02	A-330	\$142
KN1E-01	A-330	\$78
KN1E-02	A-330	\$213
KRS-485-CFW08	A-143; A-336	\$186
KSD-CFW08	A-143; A-336	\$124
LRW002G3N1	A-330	\$387
LRW004G3N1	A-330	\$394
LRW008G3N1	A-332	\$415
LRW012D3N1	A-332	\$436
LRW012G3N1	A-332	\$452
LRW018D3N1	A-332	\$512
LRW018G3N1	A-332	\$519
LRW025D3N1	A-332	\$590
LRW025G3N1	A-332	\$601
LRW035D3N1	A-332	\$634
LRW035G3N1	A-332	\$715
LRW045D3N1	A-332	\$756
LRW045G3N1	A-332	\$841
LRW055D3N1	A-332	\$890
LRW055G3N1	A-332	\$987
LRW080D3N1	A-332	\$905
LRW080G3N1	A-332	\$1,179
LRW100G3N1	A-332	\$9,788
LRW100D3N1	A-332	\$1,086
LRW100G3N1	A-332	\$1,450
LRW130D3N1	A-332	\$1,175
LRW130G3N1	A-332	\$1,750
LRW160D3N1	A-332	\$1,424
LRW160G3N1	A-332	\$2,060
LRW200D3N1	A-332	\$1,488
LRW200G3N1	A-332	\$2,400
LRW250G3N1	A-332	\$2,990
LRW320G3N1	A-332	\$3,700
LRW400G3N1	A-332	\$4,962
LRW500G3N1	A-332	\$6,446
LRW600G3N1	A-332	\$7,950
MH1601	A-293	\$258
MH4301	A-293	\$337
MH4401	A-295	\$344
MIS-CFW08-RS	A-143; A-336	\$64

Part Number	Page(s)	Price
M19W-02	A-143; A-336	\$221
ML1601	A-295	\$228
ML4301	A-295	\$351
ML4401	A-295	\$372
MMF-01	A-394	\$71
MMF-02	A-330	\$71
Motor-Scan	A-286; A-393	\$370
Motor-Scan-Gateway	A-286; A-393	\$1,800
MT-031	A-158	\$516
MT-032	A-158	\$644
MT-033	A-162; A-294	\$563
MT-034	A-162; A-294	\$930
MT-035	A-162; A-294	\$791
MT-037	A-162; A-294	\$930
MT-038	A-162; A-294	\$1,151
MT-039	A-162; A-294	\$2,093
MT-040	A-162; A-294	\$2,930
MT-041	A-162; A-294	\$516
MT-042	A-162; A-294	\$563
MT-043	A-162; A-294	\$644
MT-044	A-162; A-294	\$791
MT-145BS	A-292	\$41
MT-56BS	A-292	\$34
MT-75BS	A-293	\$34
NDE-E360T-314-I-W22	A-418	\$2,150
NDE-E400T-314-I-W22	A-418	\$2,150
NDE-E440T-314-I-W22	A-418	\$2,592
NDE-E440T-316-I-W22	A-418	\$2,592
NDE-E440T-319-I-W22	A-418	\$2,592
NDE-E580-314-I-W22	A-418	\$3,371
NDE-E580-319-I-W22	A-418	\$3,371
NDE-EL440T-314-I-W22	A-418	\$3,220
NDE-EL440T-319-I-W22	A-418	\$3,220
PCJ105H	A-195	\$236
PCJ107	A-197	\$236
PCJ107H	A-195	\$263
PCJ110	A-197	\$263
PCJ110H	A-197	\$300
PCJ115	A-198	\$300
PCJ115H	A-197	\$400
PCJ120	A-198	\$400
PCJ120H	A-197	\$486
PCJ125	A-198	\$486
PCQ103H	A-197	\$231
PCQ105	A-198	\$231
PCQ105H	A-197	\$241
PCQ107	A-198	\$241
PCQ107H	A-197	\$275
PCQ110	A-198	\$275
PCQ110H	A-197	\$320
PCQ115	A-198	\$320

Part Number	Page(s)	Price
PCQ115H	A-197	\$411
PCQ120	A-198	\$411
PCQ120H	A-197	\$500
PCQ125	A-198	\$500
PCSA-01	A-330	\$48
PCSB-01	A-330	\$51
PCSC-01	A-330	\$54
PCSD-01	A-330	\$56
PCSE-01	A-330	\$76
PESW-105V18EX-R44	A-368	\$1,184
PESW-105V18EX-R45	A-368	\$1,184
PESW-105V24EX-R44	A-369	\$1,184
PESW-105V24EX-R45	A-369	\$1,184
PESW-105V47EX-R44	A-369	\$1,184
PESW-105V47EX-R45	A-369	\$1,184
PESW-40V18EX-R35	A-369	\$321
PESW-40V24EX-R35	A-369	\$321
PESW-40V47EX-R35	A-369	\$321
PESW-50V18EX-R38	A-369	\$564
PESW-50V24EX-R38	A-369	\$564
PESW-50V47EX-R38	A-369	\$564
PESW-65V18EX-R39	A-369	\$589
PESW-65V24EX-R39	A-369	\$589
PESW-65V47EX-R39	A-369	\$589
PESW-80V18EX-R41	A-369	\$635
PESW-80V24EX-R41	A-369	\$635
PESW-80V47EX-R41	A-369	\$635
PESW-95V18EX-R43	A-369	\$1,085
PESW-95V24EX-R43	A-369	\$1,085
PESW-95V47EX-R43	A-369	\$1,085
PESW-B12D15AX-R64	A-365	\$227
PESW-B12D15EX-R64	A-365	\$174
PESW-B12D39AX-R64	A-368	\$227
PESW-B12D39EX-R64	A-368	\$174
PESW-B12V24AX-R64	A-368	\$227
PESW-B12V24EX-R64	A-368	\$174
PESW-B18D15AX-R66	A-368	\$241
PESW-B18D15EX-R66	A-368	\$188
PESW-B18D39AX-R66	A-368	\$241
PESW-B18D39EX-R66	A-368	\$188
PESW-B18V24AX-R66	A-368	\$241
PESW-B18V24EX-R66	A-368	\$188
PESW-B25D15AX-R67	A-368	\$276
PESW-B25D15EX-R67	A-368	\$223
PESW-B25D39AX-R67	A-368	\$276
PESW-B25D39EX-R67	A-368	\$223
PESW-B25V24AX-R67	A-368	\$276
PESW-B25V24EX-R67	A-368	\$223
PESW-B32D15AX-R68	A-368	\$298
PESW-B32D15EX-R68	A-368	\$262
PESW-B32D39AX-R68	A-368	\$298

Part Number	Page(s)	Price
PESW-B32D39EX-R68	A-368	\$262
PESW-B32V24AX-R68	A-368	\$298
PESW-B32V24EX-R68	A-368	\$262
PESW-B38D15AX-R69	A-368	\$345
PESW-B38D15EX-R69	A-368	\$321
PESW-B38D39AX-R69	A-368	\$345
PESW-B38D39EX-R69	A-368	\$321
PESW-B38V24AX-R69	A-368	\$345
PESW-B38V24EX-R69	A-368	\$321
PESW-B9D15AX-R57	A-368	\$210
PESW-B9D15AX-R58	A-368	\$210
PESW-B9D15AX-R59	A-368	\$210
PESW-B9D15AX-R60	A-368	\$210
PESW-B9D15AX-R61	A-368	\$210
PESW-B9D15AX-R62	A-368	\$210
PESW-B9D15AX-R63	A-368	\$210
PESW-B9D15EX-R57	A-368	\$157
PESW-B9D15EX-R58	A-368	\$157
PESW-B9D15EX-R59	A-368	\$157
PESW-B9D15EX-R60	A-368	\$157
PESW-B9D15EX-R61	A-368	\$157
PESW-B9D15EX-R62	A-368	\$157
PESW-B9D15EX-R63	A-368	\$157
PESW-B9D39AX-R57	A-368	\$210
PESW-B9D39AX-R58	A-368	\$210
PESW-B9D39AX-R59	A-368	\$210
PESW-B9D39AX-R60	A-368	\$210
PESW-B9D39AX-R61	A-368	\$210
PESW-B9D39AX-R62	A-368	\$210
PESW-B9D39AX-R63	A-368	\$210
PESW-B9D39EX-R57	A-368	\$157
PESW-B9D39EX-R58	A-368	\$157
PESW-B9D39EX-R59	A-368	\$157
PESW-B9D39EX-R60	A-368	\$157
PESW-B9D39EX-R61	A-368	\$157
PESW-B9D39EX-R62	A-368	\$157
PESW-B9D39EX-R63	A-368	\$157
PESW-B9V24AX-R57	A-368	\$210
PESW-B9V24AX-R58	A-368	\$210
PESW-B9V24AX-R59	A-368	\$210
PESW-B9V24AX-R60	A-368	\$210
PESW-B9V24AX-R61	A-368	\$210
PESW-B9V24AX-R62	A-368	\$210
PESW-B9V24AX-R63	A-368	\$210
PESW-B9V24EX-R57	A-368	\$157
PESW-B9V24EX-R58	A-368	\$157
PESW-B9V24EX-R59	A-368	\$157
PESW-B9V24EX-R60	A-368	\$157
PESW-B9V24EX-R61	A-368	\$157
PESW-B9V24EX-R62	A-368	\$157
PESW-B9V24EX-R63	A-368	\$157

Part Number	Page(s)	Price
PESWS-40V18AX-RM35	A-369	\$300
PESWS-40V18EX-RM35	A-370	\$274
PESWS-40V24AX-RM35	A-370	\$300
PESWS-40V24EX-RM35	A-370	\$274
PESWS-50V18AX-RM38	A-370	\$440
PESWS-50V18EX-RM38	A-370	\$430
PESWS-50V24AX-RM38	A-370	\$440
PESWS-50V24EX-RM38	A-370	\$430
PESWS-B12D15AX-RM64	A-370	\$155
PESWS-B12D15EX-RM64	A-370	\$140
PESWS-B12V24AX-RM64	A-370	\$155
PESWS-B12V24EX-RM64	A-370	\$140
PESWS-B18D15AX-RM65	A-370	\$170
PESWS-B18D15AX-RM66	A-370	\$182
PESWS-B18D15EX-RM65	A-370	\$161
PESWS-B18D15EX-RM66	A-370	\$170
PESWS-B18V24AX-RM65	A-370	\$170
PESWS-B18V24AX-RM66	A-370	\$182
PESWS-B18V24EX-RM65	A-370	\$161
PESWS-B18V24EX-RM66	A-370	\$170
PESWS-B25D15AX-RM67	A-370	\$195
PESWS-B25D15EX-RM67	A-370	\$180
PESWS-B25V24AX-RM67	A-370	\$195
PESWS-B25V24EX-RM67	A-370	\$180
PESWS-B32D15AX-RM68	A-370	\$195
PESWS-B32D15EX-RM68	A-370	\$180
PESWS-B32V24AX-RM68	A-370	\$195
PESWS-B32V24EX-RM68	A-370	\$180
PESWS-B38D15AX-RM69	A-370	\$300
PESWS-B38D15EX-RM69	A-370	\$274
PESWS-B38V24AX-RM69	A-370	\$300
PESWS-B38V24EX-RM69	A-370	\$274
PESWS-B9D15AX-RM60	A-370	\$155
PESWS-B9D15AX-RM61	A-370	\$155
PESWS-B9D15AX-RM62	A-370	\$155
PESWS-B9D15AX-RM63	A-370	\$155
PESWS-B9D15EX-RM60	A-370	\$140
PESWS-B9D15EX-RM61	A-370	\$140
PESWS-B9D15EX-RM62	A-370	\$140
PESWS-B9D15EX-RM63	A-370	\$140
PESWS-B9V24AX-RM60	A-370	\$155
PESWS-B9V24AX-RM61	A-370	\$155
PESWS-B9V24AX-RM62	A-370	\$155
PESWS-B9V24AX-RM63	A-370	\$155
PESWS-B9V24EX-RM60	A-370	\$140
PESWS-B9V24EX-RM61	A-370	\$140
PESWS-B9V24EX-RM62	A-370	\$140
PESWS-B9V24EX-RM63	A-370	\$140
PM-10	A-291	\$1,950
PM-20	A-291	\$2,025
PROFDP-05	A-394	\$1,100

Part Number	Page(s)	Price
PROFIBUS DP-01	A-330	\$520
REC-BM220V	A-415	\$148
REC-BM440V	A-415	\$148
REC-BM575V	A-415	\$148
RHMIF-01	A-394	\$69
RHMIF-02	A-330	\$69
RHMIF-03	A-330	\$69
RS232-01	A-394	\$180
RS232-02	A-394	\$180
RS232-05	A-394	\$290
RS485-01	A-394	\$240
RS485-05	A-394	\$360
SMB-143T	A-418	\$73
SMB-145T	A-419	\$73
SMB-182T	A-419	\$87
SMB-182TA2	A-419	\$120
SMB-184T	A-419	\$87
SMB-184TA2	A-419	\$120
SMB-213T	A-419	\$118
SMB-215T	A-419	\$118
SMB-254T	A-419	\$220
SMB-256T	A-419	\$220
SMB-284T	A-419	\$240
SMB-286T	A-419	\$240
SMB-324T	A-419	\$321
SMB-326T	A-419	\$321
SMB-364T	A-419	\$410
SMB-365T	A-419	\$410
SMB-404T	A-419	\$600
SMB-405T	A-419	\$600
SMB-444T	A-419	\$746
SMB-445T	A-419	\$746
SMB-447T	A-419	\$1,023
SMB-449T	A-419	\$1,023
SMB-504	A-419	\$1,422
SMB-505	A-419	\$1,422
SMB-580	A-419	\$3,504
SRMP D51	A-385	\$56
SRMP D59	A-385	\$56
SRMP D65	A-385	\$56
SSW7000C100T211N2	A-275	\$58,322
SSW7000C100T411N2	A-275	\$65,721
SSW7000C120T211N2	A-286; A-393	\$58,684
SSW7000C120T411N2	A-286; A-393	\$67,347
SSW7000C150T211N2	A-286; A-393	\$60,294
SSW7000C150T411N2	A-286; A-393	\$68,901
SSW7000C180T211N2	A-286; A-393	\$61,749
SSW7000C180T411N2	A-286; A-393	\$70,728
SSW7000C210T211N2	A-286; A-393	\$62,570
SSW7000C210T411N2	A-286; A-393	\$71,560
SSW7000C240T211N2	A-286; A-393	\$63,851

Part Number	Page(s)	Price
SSW7000C240T411N2	A-286; A-393	\$73,235
SSW7000C300T211N2	A-286; A-393	\$69,396
SSW7000C300T411N2	A-286; A-393	\$80,861
SSW7000C370T211N2	A-286; A-393	\$70,960
SSW7000C370T411N2	A-286; A-393	\$82,080
SSW7000C430T211N2	A-286; A-393	\$73,789
SSW7000C430T411N2	A-286; A-393	\$86,656
STUBSHAFT-A-TEFC	A-417	\$220
STUBSHAFT-B-TEFC	A-417	\$240
STUBSHAFT-C-TEFC	A-417	\$240
STUBSHAFT-D-TEFC	A-417	\$270
TBX-ADPT-360/400- W22	A-412	\$660
TBX-ADPT-444/500- W22	A-413	\$921
TBX-ADPT-444/5-W22	A-413	\$777
TBX-ADPT-580-W22	A-413	\$1,273
TBX-ADPT-L440-W22	A-413	\$1,080
TBX-BM140-W22	A-415	\$135
TBX-BM180/210-W22	A-415	\$177
TBX-BM250/280-W22	A-415	\$191
TBX-BM320-W22	A-415	\$238
TBX-E140-S	A-413	\$62
TBX-E140-W22	A-411	\$71
TBX-E180/210-W22	A-411	\$99
TBX-E180-S	A-413	\$73
TBX-E210-S	A-413	\$108
TBX-E250/280-W22	A-412	\$144
TBX-E250-S	A-413	\$154
TBX-E320-W22	A-412	\$214
TBX-E360/400-3-W22	A-412	\$324
TBX-E440-3-W22	A-412	\$497
TBX-E447/505-3-W22	A-412	\$768
TBX-E48/W56	A-413	\$40
TBX-E56-S	A-413	\$40
TBX-EL447/9-586/7-W2	A-412	\$1,686
TCL-CFW08	A-143; A-336	\$13
TERMBLCK-W22-112/132	A-419	\$52
TERMBLCK-W22-160/180	A-419	\$86
TERMBLCK-W22-200	A-419	\$151
TERMBLCK-W22-225/250	A-419	\$280
TERMBLCK-W22-280	A-419	\$533
TERMBLCK-W22-315S/M	A-419	\$533
TERMBLCK-W22-355M/L	A-419	\$1,032
TERMBLCK-W22-63-100	A-419	\$35
TQ1310D56SP	A-299	\$515
TQ1310H56SP	A-299	\$538
TQ1310L56SP	A-302	\$509
TQ1310R56SP	A-302	\$509
TQ1315D56SP	A-302	\$515
TQ1315H56SP	A-302	\$538
TQ1315L56SP	A-303	\$509
TQ1315R56SP	A-303	\$509

Part Number	Page(s)	Price
TQ1320D56SP	A-303	\$515
TQ1320H56SP	A-303	\$538
TQ1320L56SP	A-303	\$509
TQ1320R56SP	A-303	\$509
TQ1330D56SP	A-303	\$515
TQ1330H56SP	A-303	\$538
TQ1330L56SP	A-304	\$509
TQ1330R56SP	A-304	\$509
TQ1340D56SP	A-304	\$515
TQ1340H56SP	A-304	\$538
TQ1340L56SP	A-304	\$509
TQ1340R56SP	A-304	\$509
TQ1350D56SP	A-304	\$515
TQ1350H56SP	A-304	\$538
TQ1350L56SP	A-305	\$509
TQ1350R56SP	A-305	\$509
TQ135D56SP	A-302	\$515
TQ135H56SP	A-302	\$538
TQ135L56SP	A-302	\$509
TQ135R56SP	A-302	\$509
TQ1360D56SP	A-305	\$470
TQ1360H56SP	A-305	\$507
TQ1360L56SP	A-305	\$457
TQ1360R56SP	A-305	\$457
TQ1510D140SP	A-302	\$569
TQ1510H140SP	A-302	\$593
TQ1510L140SP	A-302	\$558
TQ1510R140SP	A-302	\$558
TQ1515D56SP	A-303	\$569
TQ1515H56SP	A-303	\$593
TQ1515L56SP	A-303	\$558
TQ1515R56SP	A-303	\$558
TQ1520D56SP	A-303	\$569
TQ1520H56SP	A-303	\$593
TQ1520L56SP	A-303	\$558
TQ1520R56SP	A-303	\$558
TQ1530D56SP	A-304	\$569
TQ1530H56SP	A-304	\$593
TQ1530L56SP	A-304	\$558
TQ1530R56SP	A-304	\$558
TQ1540D56SP	A-304	\$569
TQ1540H56SP	A-304	\$593
TQ1540L56SP	A-304	\$558
TQ1540R56SP	A-304	\$558
TQ1550D56SP	A-305	\$569
TQ1550H56SP	A-305	\$593
TQ1550L56SP	A-305	\$558
TQ1550R56SP	A-305	\$558
TQ155D140SP	A-302	\$569
TQ155H140SP	A-302	\$593
TQ155L140SP	A-302	\$558





Part Number	Page(s)	Price
TQ155R140SP	A-302	\$558
TQ1560D56SP	A-305	\$559
TQ1560H56SP	A-305	\$573
TQ1560L56SP	A-305	\$533
TQ1560R56SP	A-305	\$533
TQ1810D140SP	A-302	\$586
TQ1810H140SP	A-302	\$643
TQ1810L140SP	A-302	\$575
TQ1810R140SP	A-302	\$575
TQ1815D56SP	A-303	\$586
TQ1815H56SP	A-303	\$643
TQ1815L56SP	A-303	\$575
TQ1815R56SP	A-303	\$575
TQ1820D56SP	A-303	\$586
TQ1820H56SP	A-303	\$643
TQ1820L56SP	A-303	\$575
TQ1820R56SP	A-303	\$575
TQ1830D56SP	A-304	\$586
TQ1830H56SP	A-304	\$643
TQ1830L56SP	A-304	\$575
TQ1830R56SP	A-304	\$575
TQ1840D56SP	A-304	\$586
TQ1840H56SP	A-304	\$643
TQ1840L56SP	A-304	\$575
TQ1840R56SP	A-304	\$575
TQ1850D56SP	A-305	\$586
TQ1850H56SP	A-305	\$643
TQ1850L56SP	A-305	\$575
TQ1850R56SP	A-305	\$575
TQ185D140SP	A-302	\$586
TQ185H140SP	A-302	\$643
TQ185L140SP	A-302	\$575
TQ185R140SP	A-302	\$575
TQ1860D56SP	A-305	\$580
TQ1860H56SP	A-305	\$619
TQ1860L56SP	A-305	\$551
TQ1860R56SP	A-305	\$551
TQ2110D140SP	A-302	\$600
TQ2110H140SP	A-302	\$669
TQ2110L140SP	A-302	\$590
TQ2110R140SP	A-302	\$590
TQ2115D56SP	A-303	\$600
TQ2115H56SP	A-303	\$669
TQ2115L56SP	A-303	\$590
TQ2115R56SP	A-303	\$590
TQ2120D56SP	A-303	\$600
TQ2120H56SP	A-303	\$669
TQ2120L56SP	A-303	\$590
TQ2120R56SP	A-303	\$590
TQ2130D56SP	A-304	\$600
TQ2130H56SP	A-304	\$669

Part Number	Page(s)	Price
TQ2130L56SP	A-304	\$590
TQ2130R56SP	A-304	\$590
TQ2140D56SP	A-304	\$600
TQ2140H56SP	A-304	\$669
TQ2140L56SP	A-304	\$590
TQ2140R56SP	A-304	\$590
TQ2150D56SP	A-305	\$600
TQ2150H56SP	A-305	\$669
TQ2150L56SP	A-305	\$590
TQ2150R56SP	A-305	\$590
TQ215D140SP	A-302	\$600
TQ215H140SP	A-302	\$669
TQ215L140SP	A-302	\$590
TQ215R140SP	A-302	\$590
TQ2160D56SP	A-305	\$632
TQ2160H56SP	A-305	\$672
TQ2160L56SP	A-305	\$585
TQ2160R56SP	A-305	\$585
TQ2410D140SP	A-302	\$723
TQ2410H140SP	A-302	\$805
TQ2410L140SP	A-302	\$712
TQ2410R140SP	A-302	\$712
TQ2415D56SP	A-303	\$723
TQ2415H56SP	A-303	\$805
TQ2415L56SP	A-303	\$712
TQ2415R56SP	A-303	\$712
TQ2420D56SP	A-303	\$723
TQ2420H56SP	A-303	\$805
TQ2420L56SP	A-303	\$712
TQ2420R56SP	A-303	\$712
TQ2430D56SP	A-304	\$723
TQ2430H56SP	A-304	\$805
TQ2430L56SP	A-304	\$712
TQ2430R56SP	A-304	\$712
TQ2440D56SP	A-304	\$723
TQ2440H56SP	A-304	\$805
TQ2440L56SP	A-304	\$712
TQ2440R56SP	A-304	\$712
TQ2450D56SP	A-305	\$723
TQ2450H56SP	A-305	\$805
TQ2450L56SP	A-305	\$712
TQ2450R56SP	A-305	\$712
TQ245D140SP	A-302	\$723
TQ245H140SP	A-302	\$805
TQ245L140SP	A-302	\$712
TQ245R140SP	A-302	\$712
TQ2460D56SP	A-305	\$748
TQ2460H56SP	A-305	\$816
TQ2460L56SP	A-305	\$701
TQ2460R56SP	A-305	\$701
TQ2610D140SP	A-302	\$904



Part Number	Page(s)	Price
TQ2610H140SP	A-302	\$990
TQ2610L140SP	A-302	\$876
TQ2610R140SP	A-302	\$876
TQ2615D56SP	A-303	\$904
TQ2615H56SP	A-303	\$990
TQ2615L56SP	A-303	\$876
TQ2615R56SP	A-303	\$876
TQ2620D56SP	A-303	\$904
TQ2620H56SP	A-303	\$990
TQ2620L56SP	A-303	\$876
TQ2620R56SP	A-303	\$876
TQ2630D56SP	A-304	\$904
TQ2630H56SP	A-304	\$990
TQ2630L56SP	A-304	\$876
TQ2630R56SP	A-304	\$876
TQ2640D56SP	A-304	\$904
TQ2640H56SP	A-304	\$990
TQ2640L56SP	A-304	\$876
TQ2640R56SP	A-304	\$876
TQ2650D56SP	A-305	\$904
TQ2650H56SP	A-305	\$990
TQ2650L56SP	A-305	\$876
TQ2650R56SP	A-305	\$876
TQ265D140SP	A-302	\$904
TQ265H140SP	A-302	\$990
TQ265L140SP	A-302	\$876
TQ265R140SP	A-302	\$876
TQ2660D56SP	A-305	\$918
TQ2660H56SP	A-305	\$983
TQ2660L56SP	A-305	\$868
TQ2660R56SP	A-305	\$868
TS1310DSP	A-305	\$470
TS1310HSP	A-305	\$507
TS1310LSP	A-306	\$457
TS1310RSP	A-306	\$457
TS1315DSP	A-306	\$470
TS1315HSP	A-306	\$507
TS1315LSP	A-307	\$457
TS1315RSP	A-307	\$457
TS1320DSP	A-307	\$470
TS1320HSP	A-307	\$507
TS1320LSP	A-307	\$457
TS1320RSP	A-307	\$457
TS1330DSP	A-307	\$470
TS1330HSP	A-307	\$507
TS1330LSP	A-308	\$457
TS1330RSP	A-308	\$457
TS1340DSP	A-308	\$470
TS1340HSP	A-308	\$507
TS1340LSP	A-308	\$457
TS1340RSP	A-308	\$457

Part Number	Page(s)	Price
TS1350DSP	A-308	\$470
TS1350HSP	A-308	\$507
TS1350LSP	A-309	\$457
TS1350RSP	A-309	\$457
TS135DSP	A-306	\$470
TS135HSP	A-306	\$507
TS135LSP	A-306	\$457
TS135RSP	A-306	\$457
TS1360DSP	A-309	\$470
TS1360HSP	A-309	\$507
TS1360LSP	A-309	\$457
TS1360RSP	A-309	\$457
TS1510DSP	A-306	\$559
TS1510HSP	A-306	\$573
TS1510LSP	A-306	\$533
TS1510RSP	A-306	\$533
TS1515DSP	A-307	\$559
TS1515HSP	A-307	\$573
TS1515LSP	A-307	\$533
TS1515RSP	A-307	\$533
TS1520DSP	A-307	\$559
TS1520HSP	A-307	\$573
TS1520LSP	A-307	\$533
TS1520RSP	A-307	\$533
TS1530DSP	A-308	\$559
TS1530HSP	A-308	\$573
TS1530LSP	A-308	\$533
TS1530RSP	A-308	\$533
TS1540DSP	A-308	\$559
TS1540HSP	A-308	\$573
TS1540LSP	A-308	\$533
TS1540RSP	A-308	\$533
TS1550DSP	A-309	\$559
TS1550HSP	A-309	\$573
TS1550LSP	A-309	\$533
TS1550RSP	A-309	\$533
TS155DSP	A-306	\$559
TS155HSP	A-306	\$573
TS155LSP	A-306	\$533
TS155RSP	A-306	\$533
TS1560DSP	A-309	\$559
TS1560HSP	A-309	\$573
TS1560LSP	A-309	\$533
TS1560RSP	A-309	\$533
TS1810DSP	A-306	\$580
TS1810HSP	A-306	\$619
TS1810LSP	A-306	\$551
TS1810RSP	A-306	\$551
TS1815DSP	A-307	\$580
TS1815HSP	A-307	\$619
TS1815LSP	A-307	\$551



Part Number	Page(s)	Price
TS1815RSP	A-307	\$551
TS1820DSP	A-307	\$580
TS1820HSP	A-307	\$619
TS1820LSP	A-307	\$551
TS1820RSP	A-307	\$551
TS1830DSP	A-308	\$580
TS1830HSP	A-308	\$619
TS1830LSP	A-308	\$551
TS1830RSP	A-308	\$551
TS1840DSP	A-308	\$580
TS1840HSP	A-308	\$619
TS1840LSP	A-308	\$551
TS1840RSP	A-308	\$551
TS1850DSP	A-309	\$580
TS1850HSP	A-309	\$619
TS1850LSP	A-309	\$551
TS1850RSP	A-309	\$551
TS185DSP	A-306	\$580
TS185HSP	A-306	\$619
TS185LSP	A-306	\$551
TS185RSP	A-306	\$551
TS1860DSP	A-309	\$580
TS1860HSP	A-309	\$619
TS1860LSP	A-309	\$551
TS1860RSP	A-309	\$551
TS2110DSP	A-306	\$632
TS2110HSP	A-306	\$672
TS2110LSP	A-306	\$585
TS2110RSP	A-306	\$585
TS2115DSP	A-307	\$632
TS2115HSP	A-307	\$672
TS2115LSP	A-307	\$585
TS2115RSP	A-307	\$585
TS2120DSP	A-307	\$632
TS2120HSP	A-307	\$672
TS2120LSP	A-307	\$585
TS2120RSP	A-307	\$585
TS2130DSP	A-308	\$632
TS2130HSP	A-308	\$672
TS2130LSP	A-308	\$585
TS2130RSP	A-308	\$585
TS2140DSP	A-308	\$632
TS2140HSP	A-308	\$672
TS2140LSP	A-308	\$585
TS2140RSP	A-308	\$585
TS2150DSP	A-309	\$632
TS2150HSP	A-309	\$672
TS2150LSP	A-309	\$585
TS2150RSP	A-309	\$585
TS215DSP	A-306	\$632
TS215HSP	A-306	\$672

Part Number	Page(s)	Price
TS215LSP	A-306	\$585
TS215RSP	A-306	\$585
TS2160DSP	A-309	\$632
TS2160HSP	A-309	\$672
TS2160LSP	A-309	\$585
TS2160RSP	A-309	\$585
TS2410DSP	A-306	\$748
TS2410HSP	A-306	\$816
TS2410LSP	A-306	\$701
TS2410RSP	A-306	\$701
TS2415DSP	A-307	\$748
TS2415HSP	A-307	\$816
TS2415LSP	A-307	\$701
TS2415RSP	A-307	\$701
TS2420DSP	A-307	\$748
TS2420HSP	A-307	\$816
TS2420LSP	A-307	\$701
TS2420RSP	A-307	\$701
TS2430DSP	A-308	\$748
TS2430HSP	A-308	\$816
TS2430LSP	A-308	\$701
TS2430RSP	A-308	\$701
TS2440DSP	A-308	\$748
TS2440HSP	A-308	\$816
TS2440LSP	A-308	\$701
TS2440RSP	A-308	\$701
TS2450DSP	A-309	\$748
TS2450HSP	A-309	\$816
TS2450LSP	A-309	\$701
TS2450RSP	A-309	\$701
TS245DSP	A-306	\$748
TS245HSP	A-306	\$816
TS245LSP	A-306	\$701
TS245RSP	A-306	\$701
TS2460DSP	A-309	\$748
TS2460HSP	A-309	\$816
TS2460LSP	A-309	\$701
TS2460RSP	A-309	\$701
TS2610DSP	A-306	\$918
TS2610HSP	A-306	\$983
TS2610LSP	A-306	\$868
TS2610RSP	A-306	\$868
TS2615DSP	A-307	\$918
TS2615HSP	A-307	\$983
TS2615LSP	A-307	\$868
TS2615RSP	A-307	\$868
TS2620DSP	A-307	\$918
TS2620HSP	A-307	\$983
TS2620LSP	A-307	\$868
TS2620RSP	A-307	\$868
TS2630DSP	A-308	\$918

Part Number	Page(s)	Price
TS2630HSP	A-308	\$983
TS2630LSP	A-308	\$868
TS2630RSP	A-308	\$868
TS2640DSP	A-308	\$918
TS2640HSP	A-308	\$983
TS2640LSP	A-308	\$868
TS2640RSP	A-308	\$868
TS2650DSP	A-309	\$918
TS2650HSP	A-309	\$983
TS2650LSP	A-309	\$868
TS2650RSP	A-309	\$868
TS265DSP	A-306	\$918
TS265HSP	A-306	\$983
TS265LSP	A-306	\$868
TS265RSP	A-306	\$868
TS2660DSP	A-309	\$918
TS2660HSP	A-309	\$983
TS2660LSP	A-309	\$868
TS2660RSP	A-309	\$868
URMP D02	A-385	\$56
URMP V18	A-385	\$56
URMP V23	A-385	\$56
URMP V30	A-385	\$56
URMP V43 MPW100	A-385	\$56
URMP V47	A-385	\$56
WEG180-USEM	A-418	\$177
WEG250-280-REL	A-418	\$181
WEG250-280-USEM	A-418	\$181
WEG280-SIEM	A-418	\$181
WEG320-REL	A-418	\$202
WEG320-SIEM	A-418	\$202
WEG320-USEM	A-418	\$202
WEG360-400-REL	A-418	\$224
WEG360-400-SIEM	A-418	\$224
WEG360-400-USEM	A-418	\$224
WEG444/5-REL	A-418	\$228
WEG444/5-SIEM	A-418	\$228
WEG445/7-447/9-REL	A-418	\$263
WEG445/7-447/9-SIEM	A-418	\$263
WEG445/7-447/9-USEM	A-418	\$263







# Quote/Order Request Guidance



WEG's goal is to provide quick and accurate quotes to our customers and to insure orders can be processed accurately.

To assist customers in this process WEG has developed the form below to insure the minimum information required is included on the request, and to guide you where options may also be desired.

The form highlights in **red** the minimum information required to define a motor. Today, this includes destination (Country) to insure we comply with Energy Efficiency and certification regulations, and avoid rejection of the motor at the border.

This interactive form is available on our website ([www.weg.net](http://www.weg.net)) or by scanning the QR code below. While we do not require use of this form, we encourage customers to be aware of the minimum information required and include it with their requests.

The minimum information required is:

1. Quantity
2. Destination (Country) important to insure compliance with Regulations
3. HP or kW
4. RPM
5. Efficiency level (NEMA Premium®, IE2, IE3...)
6. Enclosure
7. Frame Size (if need specific or IEC Vs NEMA)
8. Phase
9. Hz
10. Voltage
11. Mounting (Foot/Flange/both)
12. Type of flange (if flange, C, D, FF..)
13. Application – Helps understand load type



Scan the QR code above or visit [www.weg.net/usmotorquote](http://www.weg.net/usmotorquote) to download the form.

**WEG Electric Corp.**  
Inquiry Form for AC Low Voltage Motors

<b>WEG Division:</b> WEG Motors	<b>Date Entered:</b> 5/4/2017	<b>Date Required:</b> 5/9/2017
<b>Submitted by:</b>	<b>Customer:</b>	
<b>WEG ref.:</b>	<b>Customer ref.:</b>	
<b>Project:</b>	<b>Specification:</b>	

**MOTOR DESCRIPTION:**

**Application** \* **Motor Destination**

**Phase** Three phase \* **Line** \* **Efficiency** \* **Enclosure** \* **IEC**

Item	Qty	HP	kW	RPM	Frame	Voltage (V)	Freq. (Hz)	Mount	Terminal Box Location (DE)	Type of Flange
1										
2										
3										
4										

\* If the motor is for replacement, please include the SN in the nameplate, nameplate picture, drawings, all applicable documentation available.

**ELECTRICAL FEATURES:**

Insulation class:  Other:  Design:  Other:   
 Temperature rise (IK (B limit)):  Other:  Duty:  Starts/hour:   
 Service factor: 1.15  Other:  Rotation (From DE):   \* Load Torque Curve and Inertia reflected to Motor Shaft required for Start/Run  
 Inverter Operation:  No  Yes Speed range:  Torque:   Insulated DE Enclosed - NDE Brush  Insulated NDE Enclosed - DE Brush

**MECHANICAL FEATURES:**

Protection:  Drive Method:  Planning Plan:   \* Inverter drive  
 Frame Material:  Fan Material (TEFC):  Name:  Color:   
 D.E. Bearings:  Special bearings (DE/NDE):  Other:

**ENVIRONMENT FEATURES:**

Ambient Temperature: 40°C  Other:  Altitude: 1000 m.a.s.l.  Other:   
 Humidity:  Location:   
 Hazardous Area:  No  Yes Zone / Class:  Group:  Temperature class:   
 Division:

**LOAD INFORMATION:**

Load Torque:  Axial Load:  Application point (x):   
 Load Inertia:  Radial Load:   Distance from shaft shoulder to ball pull center.

**ACCESSORIES:**

Speed Indicators:  Vibration sensor:   
 Thermal Protection: ALARM  Thermal Protection: SWITCH OFF   
 Bearing Protection:  Stainless Steel Fasteners:  Additional Terminal Box:  Internal Anti-Corrosion Epoxy Coating:

**SPECIAL FEATURES REQUIRED:**


**TESTING REQUIRED:**

Routine Test (On-addressed)  Type Test (On-addressed)  Vibration Test (On-addressed)  Other:   
 Routine Test (Off-addressed)  Type Test (Off-addressed)  Noise Level Test (On-addressed)

**DOCUMENTATION REQUIRED:**

Data Sheet  Drawing  Performance Curves  Other: