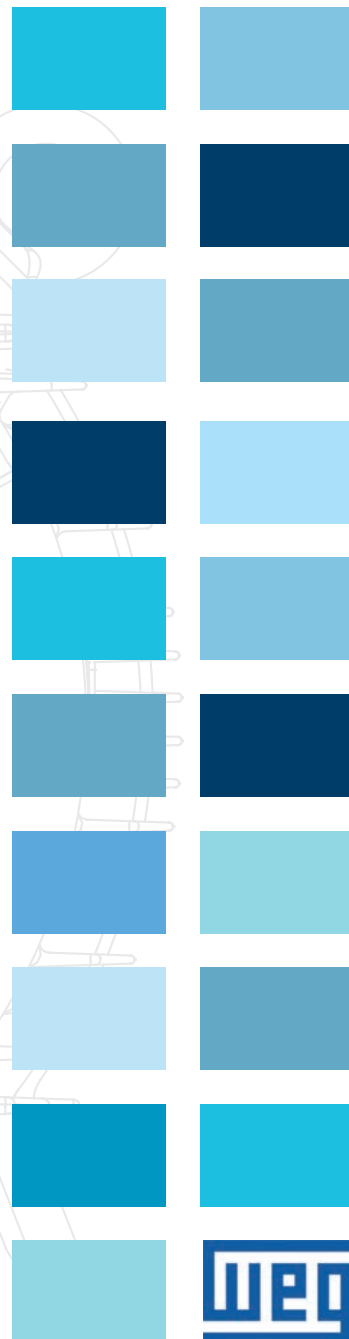


WEG Standard Product Catalog

Electrical and Mechanical Data

2020



Register to keep your
catalog up-to-date



Electrical Data**SECTION B**

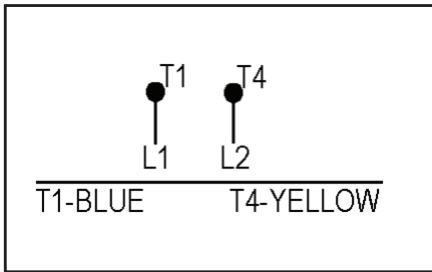
| | |
|--|------|
| Single-Phase Wiring Diagrams | B-3 |
| Three-Phase Wiring Diagrams | B-4 |
| Single Phase - General Purpose - TEFC - Cast Iron | B-5 |
| Single Phase - General Purpose - TEFC - Rolled Steel - Standard Efficiency | B-6 |
| Single Phase - General Purpose - ODP - Rolled Steel - Standard Efficiency | B-9 |
| Single Phase - General Purpose - ODP - Rolled Steel - Premium Efficiency | B-11 |
| W22 - General Purpose - Three Phase - TEFC | B-12 |
| Rolled Steel - General Purpose - Three Phase - TEFC | B-15 |
| ODP Rolled Steel up to 254/6T Frame - Three Phase - General Purpose | B-16 |
| ODP Cast Iron 254 Frame and larger - Three Phase - General Purpose | B-17 |
| Explosion Proof - Three Phase | B-19 |
| Fractional - Three Phase - TEFC - NEMA Premium® | B-22 |
| Fractional - Three Phase - TEFC - Standard Efficiency | B-23 |
| Fractional - Three Phase - ODP - Premium Efficiency | B-24 |
| Fractional - Three Phase - ODP - Standard Efficiency | B-25 |
| Cooling Tower Motors - Three Phase | B-27 |
| Close-Coupled Pump - JM - Three Phase - TEFC - Rolled Steel | B-32 |
| Close-Coupled Pump - JM - Three Phase - TEFC - Cast Iron | B-33 |
| Close-Coupled Pump - JP - Three Phase - TEFC - Rolled Steel | B-35 |
| Close-Coupled Pump - JP - Three Phase - TEFC - Cast Iron | B-36 |
| Close-Coupled Pump - JM - Three Phase - ODP - Rolled Steel | B-38 |
| Close-Coupled Pump - JM - Three Phase - ODP - Cast Iron | B-39 |
| Close-Coupled Pump - JP - Three Phase - ODP - Rolled Steel | B-40 |
| Close-Coupled Pump - JP - Three Phase - ODP - Cast Iron | B-41 |
| W40 - Fire Pump - Three Phase - ODP - High Efficiency | B-42 |
| W40 - Fire Pump - JM - Three Phase - ODP - Cast Iron - High Efficiency | B-44 |
| W40 - Fire Pump - JP - Three Phase - ODP - Cast Iron - High Efficiency | B-45 |
| Metric Motors | B-46 |
| Super Premium Efficiency Motors | B-52 |

Single-Phase Wiring Diagrams

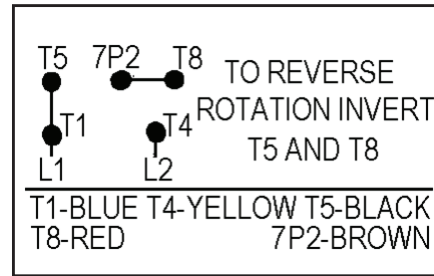
ALWAYS USE WIRING DIAGRAM SUPPLIED ON MOTOR NAMEPLATE

FOR MOTORS WITH THERMAL PROTECTION

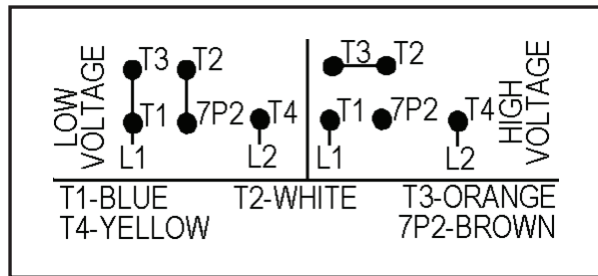
Single Voltage / Single Rotation



Single Voltage / Reversible Rotation

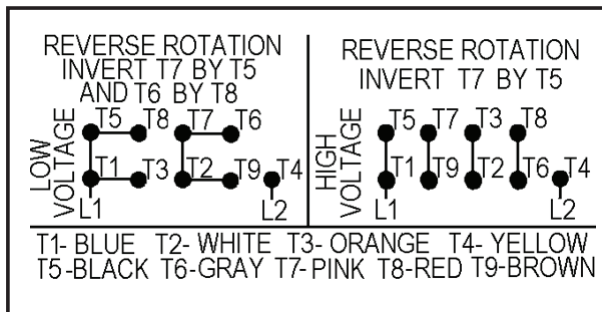


Dual Voltage / Single Rotation

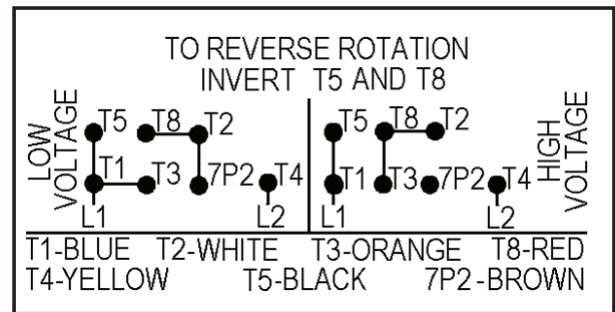


Dual Voltage / Reversible Rotation

Split-Phase Motor



Capacitor Motor



Three-Phase Wiring Diagrams

ALWAYS USE WIRING DIAGRAM SUPPLIED ON MOTOR NAMEPLATE

colored leads are only applicable on the NEW ROLLED STEEL motor lines

DESCRIPTION

9 leads
Valid for voltage Code: E
Frames 56 and 143/5

9 leads
Valid for voltage Code: E
Frames 182/4 and 213/5 for E code
(except Fire Pump motors)

12 leads
Valid for voltage code: E
Frames 254/6 and above
Fire Pump Motors all frames
Valid for voltage code: V
All frames
Motors are capable of WYE/Delta start (230v only)
Motors are capable of part-winding start at the low voltage

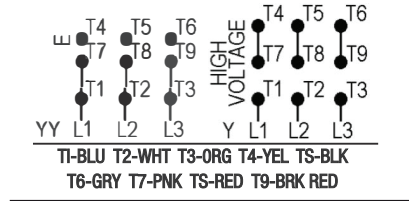
12 leads
Valid for voltage Code: G
Frames 254/6 and above
Motors are capable of WYE/Delta start
Motors are capable of part-winding start

6 leads
Valid for voltage Code: J, H, P, Q, W & Y All frames
Q and H codes may have only 3 leads (\leq 1HP and all IEEE models)

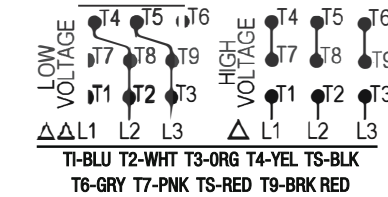
3 leads
Valid for voltage Code: Q and H codes
All frames
Q and H codes, non IEEE-841 motors, can also have 6 leads

WIRING DIAGRAMS

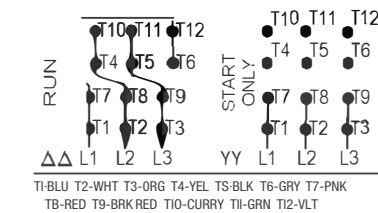
DOL



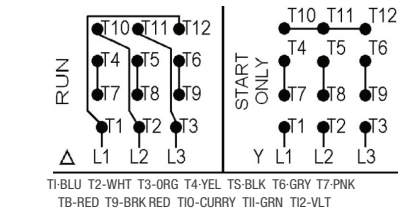
DOL



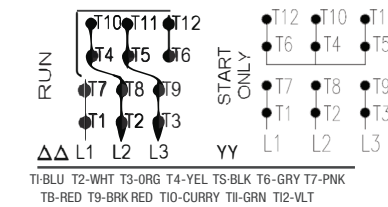
WYE - DELTA - LOW VOLTAGE



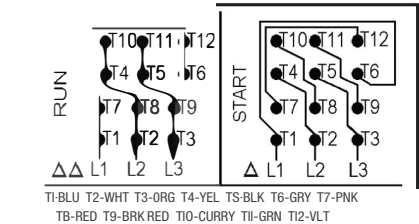
WYE - DELTA - HIGH VOLTAGE



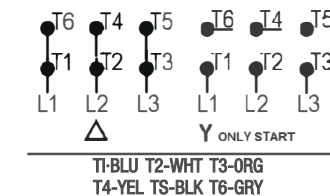
WYE - DELTA



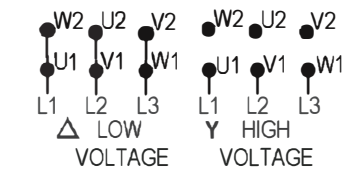
PART-WINDING



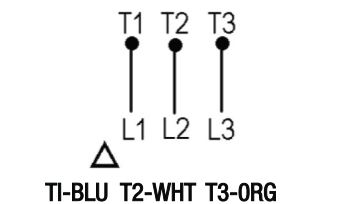
WYE- DELTA



WYE- DELTA (METRIC)



DOL



Single Phase - General Purpose - TEFC - Cast Iron

| Output | | Frame | Full Load Torque (ft.lb) | Locked Rotor Current | | Locked Rotor Torque Tl/Tn | Break-down Torque Td/Tn | Inertia J (lb-ft ²) | Allowable locked rotor time (s) | | Weight (lb) | Sound dB(A) | Service Factor | 460 V | | | | | | | Full load current In (A) |
|--------|------|--------|--------------------------|----------------------|------|---------------------------|-------------------------|---------------------------------|---------------------------------|------|-------------|-------------|----------------|-------------------|----------------|------|--------------|--------------------------|------|------|--------------------------|
| | | | | Code | I/In | | | | Hot | Cold | | | | Rated speed (rpm) | % of full load | | | Full load current In (A) | | | |
| | | | | | | | | | | | | | | | Efficiency | | Power Factor | | | | |
| HP | kW | | | | | | | | | | | | | 50 | 75 | 100 | 50 | 75 | 100 | | |
| 1 | 0.75 | 143/5T | 1.46 | L | 8.5 | 2.3 | 2.7 | 0.0527 | 7 | 15 | 0.0 | 69.0 | 1.15 | 3540 | 58.0 | 67.0 | 70.0 | 0.95 | 0.96 | 0.97 | 2.40 |
| | | 143/5T | 2.93 | L | 8.4 | 2.7 | 3.0 | 0.1303 | 7 | 15 | 0.0 | 58.0 | 1.15 | 1770 | 59.0 | 68.0 | 72.0 | 0.84 | 0.90 | 0.92 | 2.45 |
| | | 143/5T | 4.43 | K | 6.3 | 2.0 | 2.4 | 0.1561 | 15 | 33 | 0.0 | 58.0 | 1.00 | 1170 | 59.6 | 68.2 | 70.0 | 0.70 | 0.78 | 0.83 | 2.80 |
| 1.5 | 1.1 | 143/5T | 2.21 | J | 7.3 | 2.3 | 2.4 | 0.0470 | 11 | 24 | 0.0 | 69.0 | 1.15 | 3520 | 67.0 | 72.0 | 74.0 | 0.91 | 0.94 | 0.95 | 3.40 |
| | | 143/5T | 4.42 | J | 8.0 | 2.6 | 2.4 | 0.1628 | 6 | 13 | 0.0 | 58.0 | 1.15 | 1760 | 65.0 | 73.0 | 77.0 | 0.99 | 0.99 | 0.99 | 3.13 |
| | | 182/4T | 6.56 | M | 8.2 | 2.5 | 3.2 | 0.5657 | 10 | 22 | 0.0 | 60.0 | 1.00 | 1185 | 58.4 | 67.3 | 72.0 | 0.62 | 0.72 | 0.78 | 4.25 |
| 2 | 1.5 | 143/5T | 2.94 | K | 8.0 | 2.4 | 2.8 | 0.0527 | 7 | 15 | 0.0 | 69.0 | 1.15 | 3530 | 66.0 | 74.0 | 77.0 | 0.87 | 0.92 | 0.94 | 4.50 |
| | | 143/5T | 5.94 | J | 7.4 | 2.7 | 2.4 | 0.1497 | 8 | 18 | 0.0 | 58.0 | 1.15 | 1745 | 68.5 | 75.5 | 78.5 | 0.89 | 0.94 | 0.95 | 4.38 |
| | | 182/4T | 5.96 | H | 7.4 | 2.9 | 2.3 | 0.2957 | 8 | 18 | 0.0 | 60.0 | 1.15 | 1740 | 69.0 | 76.5 | 80.0 | 0.99 | 0.99 | 0.99 | 4.10 |
| | | 182/4T | 8.78 | L | 8.0 | 2.4 | 2.7 | 0.5223 | 14 | 31 | 0.0 | 60.0 | 1.00 | 1180 | 65.2 | 73.0 | 77.0 | 0.72 | 0.81 | 0.85 | 5.00 |
| 3 | 2.2 | 182/4T | 4.42 | H | 7.7 | 2.5 | 2.6 | 0.1571 | 9 | 20 | 0.0 | 72.0 | 1.15 | 3520 | 80.0 | 83.0 | 84.0 | 0.97 | 0.98 | 0.98 | 5.80 |
| | | 143/5T | 4.42 | H | 7.2 | 2.2 | 2.4 | 0.0664 | 7 | 15 | 0.0 | 69.0 | 1.15 | 3515 | 72.5 | 76.0 | 78.5 | 0.96 | 0.97 | 0.97 | 6.25 |
| | | 182/4T | 8.91 | H | 7.5 | 2.9 | 2.6 | 0.3735 | 6 | 13 | 0.0 | 60.0 | 1.15 | 1745 | 71.0 | 78.0 | 80.0 | 0.99 | 0.99 | 0.99 | 6.00 |
| | | 213/5T | 13.3 | J | 7.5 | 2.1 | 2.1 | 1.28 | 5 | 11 | 0.0 | 63.0 | 1.00 | 1170 | 69.3 | 76.7 | 80.0 | 0.93 | 0.96 | 0.96 | 6.20 |
| 5 | 3.7 | 182/4T | 7.37 | G | 7.1 | 2.8 | 2.5 | 0.2164 | 7 | 15 | 0.0 | 72.0 | 1.15 | 3515 | 80.0 | 84.0 | 85.5 | 0.96 | 0.99 | 0.99 | 9.50 |
| | | 213/5T | 14.8 | H | 6.7 | 3.3 | 2.6 | 0.7124 | 7 | 15 | 0.0 | 63.0 | 1.15 | 1745 | 72.5 | 78.5 | 80.0 | 0.91 | 0.95 | 0.96 | 10.5 |
| | | 182/4T | 15.0 | G | 6.5 | 2.8 | 2.6 | 0.4357 | 7 | 15 | 0.0 | 60.0 | 1.15 | 1730 | 72.5 | 78.5 | 80.0 | 0.93 | 0.95 | 0.96 | 10.5 |
| | | 213/5T | 22.0 | J | 8.4 | 2.5 | 2.5 | 1.98 | 14 | 31 | 0.0 | 63.0 | 1.00 | 1175 | 78.9 | 83.9 | 82.5 | 0.91 | 0.94 | 0.94 | 10.4 |
| 7.5 | 5.5 | 213/5T | 11.1 | P | 7.2 | 2.8 | 2.9 | 0.5550 | 7 | 15 | 0.0 | 72.0 | 1.15 | 3510 | 81.5 | 85.5 | 86.5 | 0.99 | 0.99 | 0.99 | 29.8 |
| | | 182/4T | 11.1 | H | 7.5 | 2.8 | 2.6 | 0.2164 | 9 | 20 | 0.0 | 72.0 | 1.15 | 3505 | 79.0 | 83.5 | 85.5 | 0.99 | 0.99 | 0.99 | 14.1 |
| | | 213/5T | 22.2 | H | 7.0 | 3.3 | 2.7 | 1.09 | 7 | 15 | 0.0 | 63.0 | 1.15 | 1750 | 76.0 | 81.0 | 82.5 | 0.94 | 0.96 | 0.97 | 14.9 |
| 10 | 7.5 | 213/5T | 14.7 | N | 7.0 | 2.3 | 2.9 | 0.5285 | 8 | 18 | 0.0 | 72.0 | 1.15 | 3515 | 82.0 | 85.5 | 86.5 | 0.99 | 0.99 | 0.99 | 38.8 |
| | | 213/5T | 29.8 | G | 6.7 | 2.6 | 2.5 | 1.15 | 13 | 29 | 0.0 | 63.0 | 1.15 | 1740 | 78.0 | 82.0 | 82.5 | 0.90 | 0.95 | 0.97 | 20.4 |
| 12.5 | 9.2 | 213/5T | 18.5 | G | 7.3 | 2.1 | 2.8 | 0.6763 | 8 | 18 | 0.0 | 72.0 | 1.15 | 3510 | 86.0 | 88.0 | 88.5 | 0.98 | 0.98 | 0.98 | 23.0 |

Single Phase - General Purpose - TEFC - Rolled Steel - Standard Efficiency

| Output | | Frame | Full Load Torque (ft.lb) | Locked Rotor Current | | Locked Rotor Torque Tl/Tn | Break-down Torque Tb/Tn | Inertia J (lb-ft ²) | Allowable locked rotor time (s) | | Weight (lb) | Sound dB(A) | Service Factor | 230 V | | | | | | | |
|--------|------|-------|--------------------------|----------------------|------|---------------------------|-------------------------|---------------------------------|---------------------------------|------|-------------|-------------|----------------|-------------------|----------------|------|------|--------------------------|--------------|------|------|
| | | | | Code | I/In | | | | Hot | Cold | | | | Rated speed (rpm) | % of full load | | | Full load current In (A) | | | |
| | | | | | | | | | | | | | | | Efficiency | | | | Power Factor | | |
| HP | kW | | | | | | | | | | | | | 50 | 75 | 100 | 50 | 75 | 100 | | |
| 0.12 | 0.09 | W56 | 0.180 | R | 6.0 | 3.0 | 3.0 | 0.0126 | 18 | 40 | 15.4 | 66.0 | 1.15 | 3475 | 28.0 | 35.0 | 42.0 | 0.64 | 0.70 | 0.75 | 1.30 |
| | | 48 | 0.180 | R | 6.0 | 3.0 | 3.0 | 0.0126 | 18 | 40 | 15.4 | 66.0 | 1.15 | 3475 | 28.0 | 35.0 | 42.0 | 0.64 | 0.70 | 0.75 | 1.30 |
| | | W56 | 0.360 | P | 4.8 | 3.2 | 3.0 | 0.0240 | 26 | 57 | 14.8 | 52.0 | 1.15 | 1740 | 37.0 | 45.0 | 51.0 | 0.41 | 0.48 | 0.55 | 1.45 |
| | | W56 | 0.360 | P | 4.8 | 3.2 | 3.0 | 0.0240 | 26 | 57 | 14.8 | 52.0 | 1.15 | 1740 | 37.0 | 45.0 | 51.0 | 0.41 | 0.48 | 0.55 | 1.45 |
| | | 48 | 0.360 | P | 4.8 | 3.2 | 3.0 | 0.0240 | 26 | 57 | 14.8 | 52.0 | 1.15 | 1740 | 37.0 | 45.0 | 51.0 | 0.41 | 0.48 | 0.55 | 1.45 |
| | | 48 | 0.360 | P | 4.8 | 3.2 | 3.0 | 0.0240 | 26 | 57 | 14.8 | 52.0 | 1.15 | 1740 | 37.0 | 45.0 | 51.0 | 0.41 | 0.48 | 0.55 | 1.45 |
| 0.16 | 0.12 | W56 | 0.530 | M | 5.2 | 1.8 | 2.4 | 0.0318 | 20 | 44 | 16.5 | 52.0 | 1.15 | 1165 | 36.0 | 46.0 | 52.0 | 0.61 | 0.68 | 0.73 | 1.05 |
| | | 48 | 0.530 | M | 5.2 | 1.8 | 2.4 | 0.0318 | 20 | 44 | 16.5 | 52.0 | 1.15 | 1165 | 36.0 | 46.0 | 52.0 | 0.61 | 0.68 | 0.73 | 1.05 |
| | | W56 | 0.240 | P | 6.0 | 3.0 | 3.0 | 0.0126 | 14 | 31 | 15.4 | 66.0 | 1.15 | 3480 | 30.0 | 38.0 | 44.0 | 0.60 | 0.67 | 0.73 | 1.60 |
| | | 48 | 0.240 | P | 6.0 | 3.0 | 3.0 | 0.0126 | 14 | 31 | 15.4 | 66.0 | 1.15 | 3480 | 30.0 | 38.0 | 44.0 | 0.60 | 0.67 | 0.73 | 1.60 |
| | | W56 | 0.480 | P | 5.4 | 3.2 | 2.9 | 0.0280 | 16 | 35 | 15.7 | 52.0 | 1.15 | 1735 | 38.0 | 46.0 | 52.0 | 0.44 | 0.52 | 0.59 | 1.70 |
| | | 48 | 0.480 | P | 5.4 | 3.2 | 2.9 | 0.0280 | 16 | 35 | 15.7 | 52.0 | 1.15 | 1735 | 38.0 | 46.0 | 52.0 | 0.44 | 0.52 | 0.59 | 1.70 |
| 0.25 | 0.18 | W56 | 0.710 | L | 5.6 | 1.8 | 2.3 | 0.0358 | 20 | 44 | 17.6 | 52.0 | 1.15 | 1165 | 40.0 | 50.0 | 56.0 | 0.67 | 0.74 | 0.78 | 1.20 |
| | | 48 | 0.710 | L | 5.6 | 1.8 | 2.3 | 0.0358 | 20 | 44 | 17.6 | 52.0 | 1.15 | 1165 | 40.0 | 50.0 | 56.0 | 0.67 | 0.74 | 0.78 | 1.20 |
| | | W56 | 0.370 | P | 6.6 | 2.9 | 3.0 | 0.0147 | 11 | 24 | 17.2 | 66.0 | 1.15 | 3485 | 35.0 | 44.0 | 50.0 | 0.60 | 0.68 | 0.74 | 2.10 |
| | | 48 | 0.370 | P | 6.6 | 2.9 | 3.0 | 0.0147 | 11 | 24 | 17.2 | 66.0 | 1.15 | 3485 | 35.0 | 44.0 | 50.0 | 0.60 | 0.68 | 0.74 | 2.10 |
| | | W56 | 0.750 | M | 5.2 | 3.1 | 2.8 | 0.0318 | 15 | 33 | 16.5 | 52.0 | 1.15 | 1735 | 43.0 | 52.0 | 57.0 | 0.43 | 0.52 | 0.60 | 2.29 |
| | | W56 | 0.750 | N | 5.3 | 3.1 | 2.8 | 0.0318 | 15 | 33 | 16.5 | 52.0 | 1.15 | 1735 | 43.0 | 52.0 | 57.0 | 0.43 | 0.52 | 0.60 | 2.30 |
| 0.33 | 0.25 | 48 | 0.750 | N | 5.3 | 3.1 | 2.8 | 0.0318 | 15 | 33 | 16.5 | 52.0 | 1.15 | 1735 | 43.0 | 52.0 | 57.0 | 0.43 | 0.52 | 0.60 | 2.30 |
| | | W56 | 1.11 | L | 5.8 | 1.8 | 2.3 | 0.0479 | 18 | 40 | 20.7 | 52.0 | 1.15 | 1165 | 45.0 | 54.0 | 60.0 | 0.63 | 0.70 | 0.75 | 1.75 |
| | | 48 | 1.11 | L | 5.8 | 1.8 | 2.3 | 0.0479 | 18 | 40 | 20.7 | 52.0 | 1.15 | 1165 | 45.0 | 54.0 | 60.0 | 0.63 | 0.70 | 0.75 | 1.75 |
| | | W56 | 0.490 | P | 7.0 | 2.9 | 2.9 | 0.0190 | 8 | 18 | 18.7 | 66.0 | 1.15 | 3490 | 42.0 | 50.0 | 54.0 | 0.61 | 0.69 | 0.76 | 2.60 |
| | | 48 | 0.490 | P | 7.0 | 2.9 | 2.9 | 0.0190 | 8 | 18 | 18.7 | 66.0 | 1.15 | 3490 | 42.0 | 50.0 | 54.0 | 0.61 | 0.69 | 0.76 | 2.60 |
| | | W56 | 0.990 | N | 5.6 | 3.2 | 2.8 | 0.0399 | 12 | 26 | 18.3 | 52.0 | 1.15 | 1735 | 46.0 | 55.0 | 61.0 | 0.42 | 0.51 | 0.59 | 3.00 |
| 0.5 | 0.37 | W56 | 0.990 | N | 5.6 | 3.2 | 2.8 | 0.0399 | 12 | 26 | 18.3 | 52.0 | 1.15 | 1735 | 46.0 | 55.0 | 61.0 | 0.42 | 0.51 | 0.59 | 3.00 |
| | | 48 | 0.990 | N | 5.6 | 3.2 | 2.8 | 0.0399 | 12 | 26 | 18.3 | 52.0 | 1.15 | 1735 | 46.0 | 55.0 | 61.0 | 0.42 | 0.51 | 0.59 | 3.00 |
| | | 56 | 1.46 | M | 6.5 | 2.4 | 2.7 | 0.0975 | 22 | 48 | 27.6 | 54.0 | 1.15 | 1170 | 48.0 | 58.0 | 63.0 | 0.61 | 0.69 | 0.74 | 2.30 |
| | | W56 | 0.740 | P | 8.0 | 2.9 | 3.0 | 0.0233 | 7 | 15 | 20.5 | 66.0 | 1.15 | 3500 | 50.0 | 58.0 | 60.0 | 0.59 | 0.69 | 0.76 | 3.50 |
| | | 48 | 0.740 | P | 8.0 | 2.9 | 3.0 | 0.0233 | 7 | 15 | 20.5 | 66.0 | 1.15 | 3500 | 50.0 | 58.0 | 60.0 | 0.59 | 0.69 | 0.76 | 3.50 |
| | | W56 | 1.50 | L | 5.5 | 2.9 | 2.5 | 0.0479 | 10 | 22 | 20.7 | 52.0 | 1.15 | 1730 | 52.0 | 59.0 | 64.0 | 0.46 | 0.56 | 0.66 | 3.81 |
| | | W56 | 1.50 | M | 5.7 | 3.2 | 2.7 | 0.0479 | 10 | 22 | 20.7 | 52.0 | 1.15 | 1730 | 52.0 | 59.0 | 64.0 | 0.44 | 0.54 | 0.63 | 4.00 |
| | | W56 | 1.50 | M | 5.7 | 3.2 | 2.7 | 0.0479 | 10 | 22 | 20.7 | 52.0 | 1.15 | 1730 | 52.0 | 59.0 | 64.0 | 0.44 | 0.54 | 0.63 | 4.00 |
| 48 | 1.50 | M | 5.7 | 3.2 | 2.7 | 0.0479 | 10 | 22 | 20.7 | 52.0 | 1.15 | 1730 | 52.0 | 59.0 | 64.0 | 0.44 | 0.54 | 0.63 | 4.00 | | |
| 48 | 1.50 | M | 5.7 | 3.2 | 2.7 | 0.0479 | 10 | 22 | 20.7 | 52.0 | 1.15 | 1730 | 52.0 | 59.0 | 64.0 | 0.44 | 0.54 | 0.63 | 4.00 | | |
| 56 | 2.21 | L | 6.6 | 2.4 | 2.6 | 0.1241 | 18 | 40 | 30.9 | 54.0 | 1.15 | 1170 | 54.0 | 63.0 | 67.0 | 0.58 | 0.67 | 0.72 | 3.20 | | |

continued on next page

Single Phase - General Purpose - TEFC - Rolled Steel - Standard Efficiency

| Output | | Frame | Full Load Torque (ft.lb) | Locked Rotor Current | | Locked Rotor Torque Tl/Tn | Break-down Torque Tb/Tn | Inertia J (lb-ft ²) | Allowable locked rotor time (s) | | Weight (lb) | Sound dB(A) | Service Factor | 230 V | | | | | | | |
|--------|------|--------|--------------------------|----------------------|-------|---------------------------|-------------------------|---------------------------------|---------------------------------|------|-------------|-------------|----------------|-------------------|----------------|------|------|--------------|------|------|--------------------------|
| | | | | Code | ll/ln | | | | Hot | Cold | | | | Rated speed (rpm) | % of full load | | | | | | Full load current In (A) |
| | | | | | | | | | | | | | | | Efficiency | | | Power Factor | | | |
| | | | | | | | | | | | | | | | 50 | 75 | 100 | 50 | 75 | 100 | |
| 0.75 | 0.55 | 56 | 1.11 | L | 8.0 | 2.8 | 2.9 | 0.0394 | 10 | 22 | 26.5 | 68.0 | 1.15 | 3500 | 52.0 | 62.0 | 66.0 | 0.81 | 0.87 | 0.91 | 4.00 |
| | | 56 | 2.23 | L | 6.2 | 2.8 | 2.5 | 0.0778 | 10 | 22 | 28.7 | 54.0 | 1.15 | 1745 | 57.0 | 65.0 | 68.5 | 0.50 | 0.60 | 0.70 | 4.98 |
| | | 56 | 2.23 | M | 6.4 | 3.0 | 2.7 | 0.0778 | 10 | 22 | 28.7 | 54.0 | 1.15 | 1745 | 57.0 | 65.0 | 68.5 | 0.47 | 0.58 | 0.67 | 5.30 |
| | | 56 | 2.23 | M | 6.4 | 3.0 | 2.7 | 0.0778 | 10 | 22 | 28.7 | 54.0 | 1.15 | 1745 | 57.0 | 65.0 | 68.5 | 0.47 | 0.58 | 0.67 | 5.30 |
| | | 56H | 3.32 | L | 6.4 | 2.2 | 2.4 | 0.1597 | 15 | 33 | 35.3 | 54.0 | 1.15 | 1170 | 59.0 | 67.0 | 70.0 | 0.58 | 0.67 | 0.73 | 4.70 |
| | | 143/5T | 3.32 | L | 6.4 | 2.2 | 2.4 | 0.1597 | 15 | 33 | 35.3 | --- | 1.15 | 1170 | 59.0 | 67.0 | 70.0 | 0.58 | 0.67 | 0.73 | 4.70 |
| | | 56 | 3.32 | L | 6.4 | 2.2 | 2.4 | 0.1597 | 15 | 33 | 35.3 | 54.0 | 1.15 | 1170 | 59.0 | 67.0 | 70.0 | 0.58 | 0.67 | 0.73 | 4.70 |
| 1 | 0.75 | 56 | 1.48 | L | 8.4 | 2.8 | 2.8 | 0.0472 | 8 | 18 | 28.7 | 68.0 | 1.15 | 3500 | 55.0 | 64.0 | 70.0 | 0.82 | 0.88 | 0.92 | 5.10 |
| | | 56 | 2.97 | M | 6.7 | 2.6 | 2.5 | 0.1037 | 8 | 18 | 33.1 | 54.0 | 1.15 | 1745 | 62.0 | 68.0 | 71.0 | 0.51 | 0.62 | 0.70 | 6.56 |
| | | 56 | 2.97 | M | 6.7 | 2.8 | 2.7 | 0.1037 | 8 | 18 | 33.1 | 54.0 | 1.15 | 1745 | 62.0 | 68.0 | 71.0 | 0.48 | 0.60 | 0.68 | 6.80 |
| | | 56 | 2.97 | M | 6.7 | 2.8 | 2.7 | 0.1037 | 8 | 18 | 33.1 | 54.0 | 1.15 | 1745 | 62.0 | 68.0 | 71.0 | 0.48 | 0.60 | 0.68 | 6.80 |
| | | 143/5T | 2.97 | M | 6.7 | 2.8 | 2.7 | 0.1037 | 8 | 18 | 33.1 | 54.0 | 1.15 | 1745 | 62.0 | 68.0 | 71.0 | 0.48 | 0.60 | 0.68 | 6.80 |
| | | 143/5T | 2.97 | M | 6.7 | 2.8 | 2.7 | 0.1037 | 8 | 18 | 33.1 | 54.0 | 1.15 | 1745 | 62.0 | 68.0 | 71.0 | 0.48 | 0.60 | 0.68 | 6.80 |
| | | 56H | 4.45 | J | 6.1 | 1.8 | 2.0 | 0.1951 | 13 | 29 | 43.0 | 54.0 | 1.15 | 1165 | 64.0 | 71.0 | 73.0 | 0.68 | 0.77 | 0.81 | 5.50 |
| | | 143/5T | 4.45 | J | 6.1 | 1.8 | 2.0 | 0.1951 | 13 | 29 | 43.0 | --- | 1.15 | 1165 | 64.0 | 71.0 | 73.0 | 0.68 | 0.77 | 0.81 | 5.50 |
| | | 56 | 4.45 | J | 6.1 | 1.8 | 2.0 | 0.1951 | 13 | 29 | 43.0 | 54.0 | 1.15 | 1165 | 64.0 | 71.0 | 73.0 | 0.68 | 0.77 | 0.81 | 5.50 |
| 1.5 | 1.1 | 56 | 2.22 | K | 8.0 | 2.4 | 2.5 | 0.0589 | 7 | 15 | 32.0 | 68.0 | 1.15 | 3500 | 66.0 | 73.0 | 75.0 | 0.92 | 0.95 | 0.97 | 6.60 |
| | | 143/5T | 2.22 | K | 8.0 | 2.4 | 2.5 | 0.0589 | 7 | 15 | 32.0 | 68.0 | 1.15 | 3500 | 66.0 | 73.0 | 75.0 | 0.92 | 0.95 | 0.97 | 6.60 |
| | | 56H | 4.45 | L | 8.0 | 2.3 | 2.5 | 0.1426 | 8 | 18 | 43.0 | 54.0 | 1.15 | 1745 | 69.0 | 75.0 | 77.0 | 0.70 | 0.80 | 0.84 | 7.39 |
| | | 56H | 4.45 | L | 8.0 | 2.3 | 2.5 | 0.1426 | 8 | 18 | 43.0 | 54.0 | 1.15 | 1745 | 69.0 | 75.0 | 77.0 | 0.70 | 0.80 | 0.84 | 7.39 |
| | | 56H | 4.45 | L | 8.0 | 2.5 | 2.7 | 0.1426 | 8 | 18 | 43.0 | 54.0 | 1.15 | 1745 | 69.0 | 75.0 | 77.0 | 0.68 | 0.78 | 0.83 | 7.48 |
| | | 56H | 4.45 | L | 8.0 | 2.5 | 2.7 | 0.1426 | 8 | 18 | 43.0 | 54.0 | 1.15 | 1745 | 69.0 | 75.0 | 77.0 | 0.68 | 0.78 | 0.83 | 7.48 |
| | | 143/5T | 4.45 | L | 8.0 | 2.5 | 2.7 | 0.1426 | 8 | 18 | 43.0 | 54.0 | 1.15 | 1745 | 69.0 | 75.0 | 77.0 | 0.68 | 0.78 | 0.83 | 7.48 |
| | | 56 | 4.45 | L | 8.0 | 2.5 | 2.7 | 0.1426 | 8 | 18 | 43.0 | 54.0 | 1.15 | 1745 | 69.0 | 75.0 | 77.0 | 0.68 | 0.78 | 0.83 | 7.48 |
| | | 56 | 4.45 | L | 8.0 | 2.5 | 2.7 | 0.1426 | 8 | 18 | 43.0 | 54.0 | 1.15 | 1745 | 69.0 | 75.0 | 77.0 | 0.68 | 0.78 | 0.83 | 7.48 |
| | | 56H | 2.96 | J | 7.8 | 2.2 | 2.5 | 0.0707 | 6 | 13 | 35.3 | 68.0 | 1.15 | 3495 | 70.0 | 75.0 | 77.0 | 0.94 | 0.97 | 0.97 | 8.73 |
| 2 | 1.5 | 143/5T | 2.96 | K | 7.8 | 2.2 | 2.5 | 0.0707 | 6 | 13 | 35.3 | 68.0 | 1.15 | 3495 | 70.0 | 75.0 | 77.0 | 0.89 | 0.93 | 0.95 | 8.92 |
| | | 143/5T | 2.96 | J | 7.8 | 2.2 | 2.5 | 0.0707 | 6 | 13 | 35.3 | 68.0 | 1.15 | 3495 | 70.0 | 75.0 | 77.0 | 0.94 | 0.97 | 0.97 | 8.73 |
| | | 56 | 2.96 | J | 7.8 | 2.2 | 2.5 | 0.0707 | 6 | 13 | 35.3 | 68.0 | 1.15 | 3495 | 70.0 | 75.0 | 77.0 | 0.94 | 0.97 | 0.97 | 8.73 |
| | | 56H | 5.94 | L | 8.0 | 2.3 | 2.4 | 0.1614 | 6 | 13 | 46.3 | 54.0 | 1.15 | 1745 | 70.0 | 76.0 | 78.5 | 0.67 | 0.77 | 0.83 | 10.0 |
| | | 56H | 5.94 | L | 8.0 | 2.6 | 2.6 | 0.1614 | 6 | 13 | 46.3 | 54.0 | 1.15 | 1745 | 70.0 | 76.0 | 78.5 | 0.66 | 0.76 | 0.82 | 10.0 |
| | | 56H | 5.94 | L | 8.0 | 2.6 | 2.6 | 0.1614 | 6 | 13 | 46.3 | 54.0 | 1.15 | 1745 | 70.0 | 76.0 | 78.5 | 0.66 | 0.76 | 0.82 | 10.0 |
| | | 143/5T | 5.94 | L | 8.0 | 2.6 | 2.6 | 0.1614 | 6 | 13 | 46.3 | 54.0 | 1.15 | 1745 | 70.0 | 76.0 | 78.5 | 0.66 | 0.76 | 0.82 | 10.0 |
| | | 143/5T | 5.94 | L | 8.0 | 2.6 | 2.6 | 0.1614 | 6 | 13 | 46.3 | 54.0 | 1.15 | 1745 | 70.0 | 76.0 | 78.5 | 0.66 | 0.76 | 0.82 | 10.0 |
| | | 56 | 5.94 | L | 8.0 | 2.6 | 2.6 | 0.1614 | 6 | 13 | 46.3 | 54.0 | 1.15 | 1745 | 70.0 | 76.0 | 78.5 | 0.66 | 0.76 | 0.82 | 10.0 |

continued on next page

Single Phase - General Purpose - TEFC - Rolled Steel - Standard Efficiency - *continued*

| Output | | Frame | Full Load Torque (ft.lb) | Locked Rotor Current | | Locked Rotor Torque Tl/Tn | Break-down Torque Tb/Tn | Inertia J (lb-ft ²) | Allowable locked rotor time (s) | | Weight (lb) | Sound dB(A) | Service Factor | 230V | | | | | | | |
|--------|-----|---------|--------------------------|----------------------|------|---------------------------|-------------------------|---------------------------------|---------------------------------|------|-------------|-------------|----------------|-------------------|----------------|------|------|--------------------------|--------------|------|------|
| | | | | Code | I/In | | | | Hot | Cold | | | | Rated speed (rpm) | % of full load | | | Full load current In (A) | | | |
| | | | | | | | | | | | | | | | Efficiency | | | | Power Factor | | |
| 3 | 2.2 | 56H | 4.45 | J | 8.0 | 2.1 | 2.5 | 0.0945 | 6 | 13 | 45.2 | 68.0 | 1.15 | 3490 | 76.0 | 79.0 | 80.0 | 0.86 | 0.92 | 0.94 | 12.7 |
| | | 143/5T | 4.45 | J | 8.0 | 2.1 | 2.5 | 0.0945 | 6 | 13 | 45.2 | 68.0 | 1.15 | 3490 | 76.0 | 79.0 | 80.0 | 0.86 | 0.92 | 0.94 | 12.7 |
| | | 56 | 4.45 | J | 8.0 | 2.1 | 2.5 | 0.0945 | 6 | 13 | 45.2 | 68.0 | 1.15 | 3490 | 76.0 | 79.0 | 80.0 | 0.86 | 0.92 | 0.94 | 12.7 |
| | | 182/4T | 8.86 | J | 8.4 | 3.1 | 2.4 | 0.3709 | 12 | 26 | 83.8 | 59.0 | 1.15 | 1755 | 72.0 | 78.5 | 81.5 | 0.99 | 0.99 | 0.99 | 11.9 |
| 7.5 | 5.5 | 213/5T | 11.1 | G | 7.1 | 2.2 | 2.7 | 0.4862 | 6 | 13 | 130 | 75.0 | 1.15 | 3515 | 78.5 | 82.5 | 84.0 | 0.98 | 0.99 | 0.99 | 28.8 |
| | | 182/4T | 11.1 | G | 7.2 | 2.6 | 3.0 | 0.2252 | 8 | 18 | 99.2 | 72.0 | 1.15 | 3500 | 80.0 | 84.0 | 85.5 | 0.99 | 0.99 | 0.99 | 28.3 |
| | | 213/5T | 22.3 | G | 6.8 | 2.6 | 2.3 | 1.43 | 6 | 13 | 163 | 64.0 | 1.15 | 1745 | 78.5 | 82.5 | 84.0 | 0.99 | 0.99 | 0.99 | 28.8 |
| 10 | 7.5 | 213/5T | 14.8 | H | 7.2 | 2.5 | 2.9 | 0.4862 | 6 | 13 | 137 | 75.0 | 1.15 | 3510 | 81.5 | 85.5 | 86.5 | 0.99 | 0.99 | 0.99 | 38.1 |
| | | 213/5T | 29.7 | G | 6.5 | 2.2 | 2.6 | 1.43 | 6 | 13 | 172 | 64.0 | 1.15 | 1745 | 81.5 | 85.5 | 86.5 | 0.99 | 0.99 | 0.99 | 38.1 |
| 12.5 | 9.2 | 213/5T | 18.5 | H | 7.4 | 2.5 | 3.1 | 0.5918 | 6 | 13 | 159 | 75.0 | 1.15 | 3510 | 84.0 | 86.5 | 87.5 | 0.98 | 0.98 | 0.98 | 46.6 |
| | | 213/5T* | 37.0 | H | 7.5 | 2.5 | 3.1 | 1.96 | 6 | 13 | 212 | 64.0 | 1.15 | 1750 | 82.5 | 86.5 | 87.5 | 0.98 | 0.98 | 0.98 | 46.6 |

Single Phase - General Purpose - ODP - Rolled Steel - Standard Efficiency

| Output | | Frame | Full Load Torque (ft.lb) | Locked Rotor Current | | Locked Rotor Torque Tl/Tn | Break-down Torque Tb/Tn | Inertia J (lb-ft ²) | Allowable locked rotor time (s) | | Weight (lb) | Sound dB(A) | Service Factor | 230V | | | | | | | |
|--------|------|--------|--------------------------|----------------------|-------|---------------------------|-------------------------|---------------------------------|---------------------------------|------|-------------|-------------|----------------|-------------------|----------------|------|------|--------------|------|------|--------------------------|
| | | | | | | | | | | | | | | Rated speed (rpm) | % of full load | | | | | | Full load current In (A) |
| | | | | | | | | | | | | | | | Efficiency | | | Power Factor | | | |
| HP | KW | | | Code | ll/in | | | | Hot | Cold | | | | 50 | 75 | 100 | 50 | 75 | 100 | | |
| 0.12 | 0.09 | W56 | 0.180 | R | 6.4 | 3.0 | 3.0 | 0.0126 | 18 | 40 | 14.3 | 56.0 | 1.40 | 3500 | 32.0 | 40.0 | 44.0 | 0.60 | 0.67 | 0.72 | 1.24 |
| | | 48 | 0.180 | R | 6.4 | 3.0 | 3.0 | 0.0126 | 18 | 40 | 14.3 | 56.0 | 1.40 | 3500 | 32.0 | 40.0 | 44.0 | 0.60 | 0.67 | 0.72 | 1.24 |
| | | W56 | 0.360 | P | 4.8 | 3.3 | 3.1 | 0.0240 | 26 | 57 | 13.7 | 50.0 | 1.40 | 1740 | 37.0 | 45.0 | 50.0 | 0.41 | 0.48 | 0.55 | 1.42 |
| | | 48 | 0.360 | P | 4.8 | 3.3 | 3.1 | 0.0240 | 26 | 57 | 13.7 | 50.0 | 1.40 | 1740 | 37.0 | 45.0 | 50.0 | 0.41 | 0.48 | 0.55 | 1.42 |
| 0.16 | 0.12 | W56 | 0.240 | P | 6.5 | 3.0 | 3.0 | 0.0126 | 14 | 31 | 14.3 | 56.0 | 1.35 | 3500 | 35.0 | 44.0 | 53.0 | 0.56 | 0.64 | 0.70 | 1.41 |
| | | 48 | 0.240 | P | 6.5 | 3.0 | 3.0 | 0.0126 | 14 | 31 | 14.3 | 56.0 | 1.35 | 3500 | 35.0 | 44.0 | 53.0 | 0.56 | 0.64 | 0.70 | 1.41 |
| | | W56 | 0.480 | P | 5.5 | 3.2 | 3.0 | 0.0280 | 16 | 35 | 14.8 | 50.0 | 1.35 | 1740 | 41.0 | 49.0 | 53.0 | 0.42 | 0.50 | 0.57 | 1.73 |
| | | 48 | 0.480 | P | 5.5 | 3.2 | 3.0 | 0.0280 | 16 | 35 | 14.8 | 50.0 | 1.35 | 1740 | 41.0 | 49.0 | 53.0 | 0.42 | 0.50 | 0.57 | 1.73 |
| 0.25 | 0.18 | W56 | 0.370 | P | 7.2 | 3.0 | 3.0 | 0.0147 | 10 | 22 | 15.4 | 56.0 | 1.35 | 3500 | 43.0 | 50.0 | 55.0 | 0.55 | 0.64 | 0.71 | 2.00 |
| | | 48 | 0.370 | P | 7.2 | 3.0 | 3.0 | 0.0147 | 10 | 22 | 15.4 | 56.0 | 1.35 | 3500 | 43.0 | 50.0 | 55.0 | 0.55 | 0.64 | 0.71 | 2.00 |
| | | W56 | 0.750 | N | 5.3 | 3.1 | 2.8 | 0.0318 | 14 | 31 | 15.4 | 50.0 | 1.35 | 1735 | 46.0 | 54.0 | 57.0 | 0.41 | 0.51 | 0.59 | 2.33 |
| | | 48 | 0.750 | N | 5.3 | 3.1 | 2.8 | 0.0318 | 14 | 31 | 15.4 | 50.0 | 1.35 | 1735 | 46.0 | 54.0 | 57.0 | 0.41 | 0.51 | 0.59 | 2.33 |
| 0.33 | 0.25 | W56 | 0.490 | P | 7.4 | 3.0 | 3.0 | 0.0190 | 8 | 18 | 16.1 | 56.0 | 1.35 | 3500 | 49.0 | 56.0 | 59.0 | 0.57 | 0.66 | 0.74 | 2.50 |
| | | 48 | 0.490 | P | 7.4 | 3.0 | 3.0 | 0.0190 | 8 | 18 | 16.1 | 56.0 | 1.35 | 3500 | 49.0 | 56.0 | 59.0 | 0.57 | 0.66 | 0.74 | 2.50 |
| | | W56 | 0.990 | N | 5.6 | 3.3 | 2.8 | 0.0399 | 12 | 26 | 16.8 | 50.0 | 1.35 | 1735 | 49.0 | 57.0 | 60.0 | 0.41 | 0.50 | 0.58 | 3.12 |
| | | 48 | 0.990 | N | 5.6 | 3.3 | 2.8 | 0.0399 | 12 | 26 | 16.8 | 50.0 | 1.35 | 1735 | 49.0 | 57.0 | 60.0 | 0.41 | 0.50 | 0.58 | 3.12 |
| 0.5 | 0.37 | W56 | 0.740 | P | 8.2 | 2.8 | 3.0 | 0.0233 | 6 | 13 | 18.7 | 56.0 | 1.25 | 3500 | 54.0 | 61.0 | 65.0 | 0.55 | 0.66 | 0.74 | 3.34 |
| | | 48 | 0.740 | P | 8.2 | 2.8 | 3.0 | 0.0233 | 6 | 13 | 18.7 | 56.0 | 1.25 | 3500 | 54.0 | 61.0 | 65.0 | 0.55 | 0.66 | 0.74 | 3.34 |
| | | W56 | 1.49 | M | 5.8 | 3.2 | 2.7 | 0.0479 | 10 | 22 | 18.7 | 50.0 | 1.25 | 1735 | 54.0 | 61.0 | 63.0 | 0.43 | 0.53 | 0.62 | 4.12 |
| | | 48 | 1.49 | M | 5.8 | 3.2 | 2.7 | 0.0479 | 10 | 22 | 18.7 | 50.0 | 1.25 | 1735 | 54.0 | 61.0 | 63.0 | 0.43 | 0.53 | 0.62 | 4.12 |
| 0.75 | 0.55 | W56 | 1.11 | N | 8.0 | 2.6 | 3.0 | 0.0273 | 6 | 13 | 20.9 | 56.0 | 1.25 | 3500 | 56.0 | 63.0 | 67.0 | 0.54 | 0.66 | 0.74 | 4.82 |
| | | 48 | 1.11 | N | 8.0 | 2.6 | 3.0 | 0.0273 | 6 | 13 | 20.9 | 56.0 | 1.25 | 3500 | 56.0 | 63.0 | 67.0 | 0.54 | 0.66 | 0.74 | 4.82 |
| | | 56 | 2.23 | M | 6.5 | 2.8 | 2.7 | 0.0778 | 10 | 22 | 26.5 | 52.0 | 1.25 | 1745 | 60.0 | 66.0 | 69.0 | 0.46 | 0.57 | 0.66 | 5.25 |
| | | 56 | 2.23 | M | 6.5 | 2.8 | 2.7 | 0.0778 | 10 | 22 | 26.5 | 52.0 | 1.25 | 1745 | 60.0 | 66.0 | 69.0 | 0.46 | 0.57 | 0.66 | 5.25 |
| 1 | 0.75 | 56 | 1.48 | M | 6.9 | 2.6 | 2.8 | 0.0472 | 8 | 18 | 26.5 | 58.0 | 1.25 | 3500 | 60.0 | 65.0 | 68.0 | 0.55 | 0.67 | 0.75 | 6.39 |
| | | 56 | 2.97 | M | 6.7 | 2.7 | 2.7 | 0.0973 | 7 | 15 | 30.9 | 52.0 | 1.15 | 1745 | 60.0 | 68.0 | 71.0 | 0.48 | 0.60 | 0.68 | 6.75 |
| | | 143/5T | 2.97 | M | 6.7 | 2.7 | 2.7 | 0.0973 | 7 | 15 | 30.9 | 52.0 | 1.15 | 1745 | 60.0 | 68.0 | 71.0 | 0.48 | 0.60 | 0.68 | 6.75 |
| 1.5 | 1.1 | 56 | 2.22 | L | 7.3 | 2.5 | 2.7 | 0.0589 | 6 | 13 | 30.9 | 58.0 | 1.15 | 3500 | 65.0 | 70.0 | 72.0 | 0.57 | 0.69 | 0.77 | 8.60 |
| | | 143/5T | 2.22 | L | 7.3 | 2.5 | 2.7 | 0.0589 | 6 | 13 | 30.9 | 58.0 | 1.15 | 3500 | 65.0 | 70.0 | 72.0 | 0.57 | 0.69 | 0.77 | 8.60 |
| | | 56 | 4.45 | M | 6.9 | 2.7 | 2.7 | 0.1362 | 7 | 15 | 40.1 | 52.0 | 1.15 | 1745 | 66.0 | 72.0 | 73.0 | 0.48 | 0.60 | 0.69 | 9.49 |
| | | 56H | 4.45 | M | 6.9 | 2.7 | 2.7 | 0.1362 | 7 | 15 | 40.1 | 52.0 | 1.15 | 1745 | 66.0 | 72.0 | 73.0 | 0.48 | 0.60 | 0.69 | 9.49 |
| | | 143/5T | 4.45 | M | 6.9 | 2.7 | 2.7 | 0.1362 | 7 | 15 | 40.1 | 52.0 | 1.15 | 1745 | 66.0 | 72.0 | 73.0 | 0.48 | 0.60 | 0.69 | 9.49 |

continued on next page

Single Phase - General Purpose - ODP - Rolled Steel - Standard Efficiency - *continued*

| Output | | Frame | Full Load Torque (ft.lb) | Locked Rotor Current | | Locked Rotor Torque Tl/Tn | Break-down Torque T _b /T _n | Inertia J (lb-ft ²) | Allowable locked rotor time (s) | | Weight (lb) | Sound dB(A) | Service Factor | 230 V | | | | | | | |
|--------|-----|--------|--------------------------|----------------------|-------|---------------------------|--|---------------------------------|---------------------------------|------|-------------|-------------|----------------|-------------------|----------------|------|------|--------------|------|------|--------------------------|
| | | | | Code | II/In | | | | Hot | Cold | | | | Rated speed (rpm) | % of full load | | | | | | Full load current In (A) |
| | | | | | | | | | | | | | | | Efficiency | | | Power Factor | | | |
| | | | | | | | | | | | | | | | 50 | 75 | 100 | 50 | 75 | 100 | |
| 2 | 1.5 | 56H | 2.97 | L | 7.8 | 2.5 | 2.6 | 0.0748 | 6 | 13 | 36.4 | 58.0 | 1.15 | 3490 | 69.0 | 72.0 | 75.0 | 0.60 | 0.72 | 0.80 | 10.9 |
| | | 143/5T | 2.97 | L | 7.8 | 2.5 | 2.6 | 0.0748 | 6 | 13 | 36.4 | 58.0 | 1.15 | 3490 | 69.0 | 72.0 | 75.0 | 0.60 | 0.72 | 0.80 | 10.9 |
| | | 56 | 2.97 | L | 7.8 | 2.5 | 2.6 | 0.0748 | 6 | 13 | 36.4 | 58.0 | 1.15 | 3490 | 69.0 | 72.0 | 75.0 | 0.60 | 0.72 | 0.80 | 10.9 |
| | | 56H | 5.96 | L | 7.5 | 2.4 | 2.6 | 0.1550 | 6 | 13 | 42.3 | 52.0 | 1.15 | 1740 | 70.0 | 75.0 | 78.0 | 0.62 | 0.73 | 0.80 | 10.5 |
| | | 143/5T | 5.96 | L | 7.5 | 2.4 | 2.6 | 0.1550 | 6 | 13 | 42.3 | 52.0 | 1.15 | 1740 | 70.0 | 75.0 | 78.0 | 0.62 | 0.73 | 0.80 | 10.5 |
| | | 56 | 5.96 | L | 7.5 | 2.4 | 2.6 | 0.1550 | 6 | 13 | 42.3 | 52.0 | 1.15 | 1740 | 70.0 | 75.0 | 78.0 | 0.62 | 0.73 | 0.80 | 10.5 |
| 3 | 2.2 | 56H | 4.46 | K | 8.0 | 2.0 | 2.5 | 0.0864 | 6 | 13 | 41.2 | 58.0 | 1.15 | 3485 | 71.0 | 76.0 | 78.0 | 0.85 | 0.91 | 0.93 | 13.2 |
| | | 143/5T | 4.46 | K | 8.0 | 2.0 | 2.5 | 0.0864 | 6 | 13 | 41.2 | 58.0 | 1.15 | 3485 | 71.0 | 76.0 | 78.0 | 0.85 | 0.91 | 0.93 | 13.2 |
| | | 56 | 4.46 | K | 8.0 | 2.0 | 2.5 | 0.0864 | 6 | 13 | 41.2 | 58.0 | 1.15 | 3485 | 71.0 | 76.0 | 78.0 | 0.85 | 0.91 | 0.93 | 13.2 |
| | | 182/4T | 8.86 | H | 7.1 | 2.8 | 2.5 | 0.2781 | 6 | 13 | 67.3 | --- | 1.15 | 1755 | 69.8 | 77.1 | 80.0 | 0.83 | 0.90 | 0.93 | 12.7 |
| 5 | 3.7 | 182/4T | 7.41 | G | 6.9 | 2.9 | 2.5 | 0.1559 | 6 | 13 | 71.7 | --- | 1.15 | 3495 | 78.7 | 83.2 | 84.0 | 0.98 | 0.99 | 0.99 | 19.3 |
| | | 182/4T | 14.8 | H | 7.0 | 2.5 | 2.4 | 0.4172 | 6 | 13 | 88.2 | --- | 1.15 | 1755 | 75.2 | 81.3 | 84.0 | 0.95 | 0.97 | 0.97 | 19.7 |
| | | 213/5T | 14.8 | H | 7.5 | 2.6 | 2.3 | 1.16 | 7 | 15 | 203 | --- | 1.15 | 1755 | 78.6 | 83.9 | 85.5 | 0.98 | 0.99 | 0.99 | 18.9 |
| 7.5 | 5.5 | 213/5T | 11.0 | H | 7.8 | 2.7 | 2.8 | 0.4651 | 6 | 13 | 110 | --- | 1.15 | 3520 | 81.2 | 85.0 | 85.5 | 0.99 | 0.99 | 0.99 | 28.3 |
| | | 182/4T | 11.1 | G | 6.9 | 2.8 | 2.6 | 0.1991 | 6 | 13 | 83.8 | --- | 1.15 | 3500 | 80.6 | 84.4 | 85.5 | 0.97 | 0.98 | 0.98 | 28.5 |
| | | 213/5T | 22.2 | G | 6.9 | 2.3 | 2.4 | 1.29 | 6 | 13 | 212 | --- | 1.15 | 1750 | 83.1 | 85.0 | 85.5 | 0.95 | 0.96 | 0.97 | 28.6 |
| 10 | 7.5 | 213/5T | 14.8 | G | 6.8 | 2.3 | 2.7 | 0.4440 | 6 | 13 | 112 | --- | 1.15 | 3500 | 82.4 | 85.9 | 86.5 | 0.99 | 0.99 | 0.99 | 38.1 |
| | | 213/5T | 29.7 | G | 6.6 | 2.2 | 2.4 | 1.34 | 6 | 13 | 216 | --- | 1.15 | 1745 | 83.2 | 86.3 | 86.5 | 0.97 | 0.98 | 0.98 | 38.5 |
| 12.5 | 9.2 | 213/5T | 18.4 | H | 7.9 | 2.4 | 3.3 | 0.6341 | 6 | 13 | 161 | --- | 1.15 | 3520 | 84.7 | 87.8 | 88.5 | 0.99 | 0.99 | 0.99 | 45.7 |
| | | 213/5T | 37.1 | G | 7.0 | 2.3 | 2.9 | 1.65 | 6 | 13 | 246 | --- | 1.15 | 1745 | 84.2 | 87.3 | 87.5 | 0.97 | 0.98 | 0.98 | 46.4 |
| 15 | 11 | 213/5T | 22.0 | J | 8.7 | 2.5 | 4.1 | 0.7188 | 6 | 13 | 183 | --- | 1.15 | 3530 | 85.0 | 88.0 | 88.5 | 0.89 | 0.93 | 0.95 | 56.9 |

Single Phase - General Purpose - ODP - Rolled Steel - Premium Efficiency

| Output | | Frame | Full Load Torque (ft.lb) | Locked Rotor Current | | Locked Rotor Torque Tl/Tn | Break-down Torque Tb/Tn | Inertia J (lb-ft ²) | Allowable locked rotor time (s) | | Weight (lb) | Sound dB(A) | Service Factor | 230 V | | | | | | | |
|--------|------|--------|--------------------------|----------------------|------|---------------------------|-------------------------|---------------------------------|---------------------------------|------|-------------|-------------|----------------|-------------------|----------------|------|------|--------------------------|--------------|------|------|
| | | | | Code | I/In | | | | Hot | Cold | | | | Rated speed (rpm) | % of full load | | | Full load current In (A) | | | |
| | | | | | | | | | | | | | | | Efficiency | | | | Power Factor | | |
| HP | kW | | | | | | | | | | | | | 50 | 75 | 100 | 50 | 75 | 100 | | |
| 0.25 | 0.18 | W56 | 0.370 | M | 8.8 | 2.8 | 3.1 | 0.0211 | 18 | 40 | 17.2 | 56.0 | 1.35 | 3510 | 50.0 | 59.0 | 66.6 | 0.91 | 0.93 | 0.94 | 1.25 |
| | | 48 | 0.370 | M | 8.8 | 2.8 | 3.1 | 0.0211 | 18 | 40 | 17.2 | 56.0 | 1.35 | 3510 | 50.0 | 59.0 | 66.6 | 0.91 | 0.93 | 0.94 | 1.25 |
| | | W56 | 0.740 | M | 7.5 | 2.9 | 3.0 | 0.0358 | 20 | 44 | 16.5 | 50.0 | 1.35 | 1745 | 53.0 | 62.0 | 68.5 | 0.56 | 0.65 | 0.71 | 1.60 |
| | | 48 | 0.740 | M | 7.5 | 2.9 | 3.0 | 0.0358 | 20 | 44 | 16.5 | 50.0 | 1.35 | 1745 | 53.0 | 62.0 | 68.5 | 0.56 | 0.65 | 0.71 | 1.60 |
| 0.33 | 0.25 | W56 | 0.490 | L | 8.8 | 2.8 | 3.0 | 0.0254 | 15 | 33 | 19.4 | 56.0 | 1.35 | 3510 | 56.0 | 64.0 | 70.5 | 0.97 | 0.97 | 0.97 | 1.60 |
| | | 48 | 0.490 | L | 8.8 | 2.8 | 3.0 | 0.0254 | 15 | 33 | 19.4 | 56.0 | 1.35 | 3510 | 56.0 | 64.0 | 70.5 | 0.97 | 0.97 | 0.97 | 1.60 |
| | | W56 | 0.980 | N | 8.0 | 3.2 | 3.2 | 0.0439 | 17 | 37 | 17.6 | 50.0 | 1.35 | 1745 | 57.0 | 66.0 | 72.4 | 0.57 | 0.67 | 0.73 | 2.10 |
| | | 48 | 0.980 | N | 8.0 | 3.2 | 3.2 | 0.0439 | 17 | 37 | 17.6 | 50.0 | 1.35 | 1745 | 57.0 | 66.0 | 72.4 | 0.57 | 0.67 | 0.73 | 2.10 |
| 0.5 | 0.37 | W56 | 0.740 | L | 8.8 | 2.7 | 3.0 | 0.0254 | 9 | 20 | 19.4 | 56.0 | 1.25 | 3510 | 60.0 | 68.0 | 72.4 | 0.90 | 0.93 | 0.94 | 2.40 |
| | | 48 | 0.740 | L | 8.8 | 2.7 | 3.0 | 0.0254 | 9 | 20 | 19.4 | 56.0 | 1.25 | 3510 | 60.0 | 68.0 | 72.4 | 0.90 | 0.93 | 0.94 | 2.40 |
| | | W56 | 1.48 | L | 7.7 | 3.1 | 3.0 | 0.0520 | 15 | 33 | 19.8 | 50.0 | 1.25 | 1745 | 63.0 | 71.0 | 76.2 | 0.60 | 0.70 | 0.77 | 2.75 |
| | | 48 | 1.48 | L | 7.7 | 3.1 | 3.0 | 0.0520 | 15 | 33 | 19.8 | 50.0 | 1.25 | 1745 | 63.0 | 71.0 | 76.2 | 0.60 | 0.70 | 0.77 | 2.75 |
| 0.75 | 0.55 | 56 | 1.11 | K | 8.6 | 3.0 | 3.0 | 0.0434 | 18 | 40 | 25.4 | 58.0 | 1.25 | 3510 | 64.0 | 71.0 | 76.2 | 0.88 | 0.92 | 0.93 | 3.40 |
| | | 56 | 2.22 | K | 8.0 | 2.6 | 2.5 | 0.0973 | 20 | 44 | 30.9 | 52.0 | 1.25 | 1750 | 74.0 | 79.0 | 81.8 | 0.74 | 0.82 | 0.86 | 3.40 |
| 1 | 0.75 | 56 | 1.48 | K | 8.4 | 2.9 | 3.0 | 0.0551 | 16 | 35 | 29.8 | 58.0 | 1.25 | 3510 | 69.0 | 76.0 | 80.4 | 0.89 | 0.93 | 0.94 | 4.30 |
| | | 56 | 2.96 | K | 8.4 | 2.6 | 2.5 | 0.1232 | 15 | 33 | 36.4 | 52.0 | 1.15 | 1750 | 75.0 | 80.0 | 82.6 | 0.75 | 0.83 | 0.87 | 4.50 |
| | | 143/5T | 2.96 | K | 8.4 | 2.6 | 2.5 | 0.1232 | 15 | 33 | 36.4 | 52.0 | 1.15 | 1750 | 75.0 | 80.0 | 82.6 | 0.75 | 0.83 | 0.87 | 4.50 |
| | | 56H | 2.96 | K | 8.4 | 2.6 | 2.5 | 0.1232 | 15 | 33 | 36.4 | 52.0 | 1.15 | 1750 | 75.0 | 80.0 | 82.6 | 0.75 | 0.83 | 0.87 | 4.50 |
| 1.5 | 1.1 | 56 | 2.22 | J | 7.7 | 2.6 | 2.7 | 0.0629 | 10 | 22 | 32.0 | 58.0 | 1.15 | 3500 | 73.0 | 79.0 | 81.5 | 0.88 | 0.89 | 0.89 | 6.65 |
| | | 143/5T | 2.22 | J | 7.7 | 2.6 | 2.7 | 0.0629 | 10 | 22 | 32.0 | 58.0 | 1.15 | 3500 | 73.0 | 79.0 | 81.5 | 0.88 | 0.89 | 0.89 | 6.65 |
| | | 56H | 4.45 | K | 8.0 | 2.6 | 2.5 | 0.1362 | 22 | 48 | 40.1 | 52.0 | 1.15 | 1745 | 76.0 | 81.0 | 83.8 | 0.72 | 0.81 | 0.84 | 6.80 |
| | | 143/5T | 4.45 | K | 8.0 | 2.6 | 2.5 | 0.1362 | 22 | 48 | 40.1 | 52.0 | 1.15 | 1745 | 76.0 | 81.0 | 83.8 | 0.72 | 0.81 | 0.84 | 6.80 |
| | | 56 | 4.45 | K | 8.0 | 2.6 | 2.5 | 0.1362 | 22 | 48 | 40.1 | 52.0 | 1.15 | 1745 | 76.0 | 81.0 | 83.8 | 0.72 | 0.81 | 0.84 | 6.80 |
| 2 | 1.5 | 56 | 2.96 | K | 8.6 | 2.5 | 2.8 | 0.0748 | 8 | 18 | 36.4 | 58.0 | 1.15 | 3500 | 76.0 | 81.0 | 82.9 | 0.90 | 0.94 | 0.94 | 8.40 |
| | | 56H | 2.96 | K | 8.6 | 2.5 | 2.8 | 0.0748 | 8 | 18 | 36.4 | 58.0 | 1.15 | 3500 | 76.0 | 81.0 | 82.9 | 0.90 | 0.94 | 0.94 | 8.40 |
| | | 143/5T | 2.96 | K | 8.6 | 2.5 | 2.8 | 0.0748 | 8 | 18 | 36.4 | 58.0 | 1.15 | 3500 | 76.0 | 81.0 | 82.9 | 0.90 | 0.94 | 0.94 | 8.40 |
| | | 56H | 5.96 | K | 7.6 | 2.6 | 2.5 | 0.1614 | 18 | 40 | 45.2 | 52.0 | 1.15 | 1740 | 77.0 | 82.0 | 84.5 | 0.68 | 0.78 | 0.83 | 9.30 |
| | | 143/5T | 5.96 | K | 7.6 | 2.6 | 2.5 | 0.1614 | 18 | 40 | 45.2 | 52.0 | 1.15 | 1740 | 77.0 | 82.0 | 84.5 | 0.68 | 0.78 | 0.83 | 9.30 |
| | | 56 | 5.96 | K | 7.6 | 2.6 | 2.5 | 0.1614 | 18 | 40 | 45.2 | 52.0 | 1.15 | 1740 | 77.0 | 82.0 | 84.5 | 0.68 | 0.78 | 0.83 | 9.30 |
| 3 | 2.2 | 56H | 4.44 | J | 8.2 | 2.2 | 2.8 | 0.0945 | 6 | 13 | 42.3 | 58.0 | 1.15 | 3500 | 76.0 | 81.0 | 84.1 | 0.87 | 0.92 | 0.93 | 12.2 |
| | | 143/5T | 4.44 | J | 8.2 | 2.2 | 2.8 | 0.0945 | 6 | 13 | 42.3 | 58.0 | 1.15 | 3500 | 76.0 | 81.0 | 84.1 | 0.87 | 0.92 | 0.93 | 12.2 |
| | | 56 | 4.44 | J | 8.2 | 2.2 | 2.8 | 0.0945 | 6 | 13 | 42.3 | 58.0 | 1.15 | 3500 | 76.0 | 81.0 | 84.1 | 0.87 | 0.92 | 0.93 | 12.2 |

W22 - General Purpose - Three Phase - TEFC

| Output | | Frame | Full Load Torque (ft.lb) | Locked Rotor Current | | Locked Rotor Torque Tl/Tn | Break-down Torque Td/Tn | Inertia J (lb-ft ²) | Allowable locked rotor time (s) | | Weight (lb) | Sound dB(A) | Service Factor | 460 V | | | | | | | | | |
|--------|------|---------|--------------------------|----------------------|-----|---------------------------|-------------------------|---------------------------------|---------------------------------|------|-------------|-------------|----------------|-------|------|-------------------|----------------|------|------|--------------|------|-----|--------------------------|
| | | | | HP | kW | | | | Code | I/In | | | | Hot | Cold | Rated speed (rpm) | % of full load | | | | | | Full load current In (A) |
| | | | | | | | | | | | | | | | | | Efficiency | | | Power Factor | | | |
| | | | | | | | | | | | | | | | | | 50 | 75 | 100 | 50 | 75 | 100 | |
| 1 | 0.75 | 143/5T | 1.49 | L | 8.2 | 2.8 | 3.4 | 0.0332 | 22 | 48 | 36.4 | 68.0 | 1.25 | 3480 | 75.0 | 79.0 | 81.5 | 0.63 | 0.74 | 0.80 | 1.44 | | |
| | | 143/5T | 2.94 | L | 8.4 | 3.2 | 3.5 | 0.1172 | 18 | 40 | 40.8 | 51.0 | 1.25 | 1760 | 80.0 | 84.0 | 85.5 | 0.55 | 0.68 | 0.75 | 1.47 | | |
| | | 143/5T | 4.51 | K | 6.2 | 2.6 | 3.0 | 0.1595 | 28 | 62 | 52.9 | 49.0 | 1.25 | 1150 | 77.0 | 82.0 | 82.5 | 0.45 | 0.57 | 0.66 | 1.73 | | |
| | | 182/4T | 5.92 | M | 6.0 | 3.0 | 3.5 | 0.3991 | 22 | 48 | 94.8 | 50.0 | 1.25 | 875 | 74.0 | 77.0 | 78.5 | 0.32 | 0.42 | 0.52 | 2.30 | | |
| 1.5 | 1.1 | 143/5T | 2.23 | L | 8.9 | 3.5 | 3.8 | 0.0470 | 21 | 46 | 40.8 | 68.0 | 1.25 | 3490 | 81.5 | 84.0 | 84.0 | 0.70 | 0.80 | 0.84 | 1.96 | | |
| | | 143/5T | 4.43 | L | 8.4 | 2.5 | 3.4 | 0.1431 | 14 | 31 | 48.5 | 51.0 | 1.25 | 1755 | 82.5 | 85.5 | 86.5 | 0.60 | 0.70 | 0.79 | 2.02 | | |
| | | 182/4T | 6.64 | M | 7.8 | 3.2 | 4.0 | 0.4879 | 16 | 35 | 70.3 | 52.0 | 1.25 | 1170 | 84.0 | 86.5 | 87.5 | 0.45 | 0.54 | 0.62 | 2.54 | | |
| | | 182/4T | 9.04 | J | 5.5 | 2.5 | 2.6 | 0.5766 | 17 | 37 | 111 | 50.0 | 1.25 | 860 | 80.0 | 82.5 | 82.5 | 0.43 | 0.54 | 0.62 | 2.70 | | |
| 2 | 1.5 | 143/5T | 2.98 | L | 8.9 | 3.5 | 3.8 | 0.0605 | 17 | 37 | 51.8 | 68.0 | 1.25 | 3475 | 82.5 | 85.5 | 85.5 | 0.71 | 0.80 | 0.86 | 2.56 | | |
| | | 143/5T | 5.92 | K | 8.0 | 2.7 | 3.2 | 0.1561 | 11 | 24 | 50.7 | 51.0 | 1.25 | 1750 | 85.5 | 86.5 | 86.5 | 0.57 | 0.70 | 0.79 | 2.76 | | |
| | | 182/4T | 8.86 | L | 7.5 | 3.0 | 3.5 | 0.6210 | 31 | 68 | 87.5 | 52.0 | 1.25 | 1170 | 86.5 | 87.5 | 88.5 | 0.46 | 0.58 | 0.66 | 3.22 | | |
| | | 213/5T | 11.8 | M | 7.6 | 2.4 | 2.9 | 1.79 | 39 | 86 | 149 | 52.0 | 1.25 | 875 | 82.5 | 84.0 | 85.5 | 0.45 | 0.55 | 0.65 | 3.39 | | |
| 3 | 2.2 | 182/4T | 4.42 | K | 8.6 | 2.5 | 3.8 | 0.1889 | 41 | 90 | 88.2 | 69.0 | 1.25 | 3515 | 82.5 | 86.5 | 86.5 | 0.75 | 0.84 | 0.88 | 3.63 | | |
| | | 182/4T | 8.83 | K | 8.1 | 2.3 | 3.4 | 0.3401 | 23 | 51 | 90.4 | 56.0 | 1.25 | 1760 | 87.5 | 88.5 | 89.5 | 0.61 | 0.73 | 0.79 | 3.91 | | |
| | | 213/5T | 13.2 | K | 7.0 | 2.0 | 2.8 | 1.20 | 58 | 128 | 121 | 55.0 | 1.25 | 1175 | 86.5 | 88.5 | 89.5 | 0.50 | 0.63 | 0.70 | 4.41 | | |
| | | 213/5T | 17.9 | K | 6.8 | 2.3 | 2.8 | 2.11 | 44 | 97 | 176 | 52.0 | 1.25 | 870 | 84.0 | 85.5 | 85.5 | 0.50 | 0.63 | 0.71 | 4.55 | | |
| 5 | 3.7 | 182/4T | 7.40 | J | 7.6 | 2.3 | 3.5 | 0.2233 | 25 | 55 | 88.2 | 69.0 | 1.25 | 3500 | 86.5 | 88.5 | 88.5 | 0.76 | 0.85 | 0.89 | 5.90 | | |
| | | 182/4T | 14.8 | J | 7.5 | 2.3 | 3.2 | 0.4003 | 15 | 33 | 94.8 | 56.0 | 1.25 | 1755 | 88.5 | 89.5 | 89.5 | 0.62 | 0.74 | 0.80 | 6.45 | | |
| | | 213/5T | 22.1 | J | 6.8 | 1.7 | 2.6 | 1.47 | 57 | 125 | 162 | 55.0 | 1.25 | 1170 | 88.5 | 89.5 | 89.5 | 0.58 | 0.70 | 0.76 | 6.83 | | |
| | | 254/6T | 29.4 | H | 5.3 | 1.9 | 2.5 | 3.41 | 44 | 97 | 258 | 54.0 | 1.25 | 880 | 85.5 | 87.5 | 87.5 | 0.49 | 0.62 | 0.70 | 7.58 | | |
| 7.5 | 5.5 | 213/5T | 11.0 | H | 7.2 | 2.1 | 3.0 | 0.4665 | 27 | 59 | 139 | 72.0 | 1.25 | 3520 | 87.5 | 89.5 | 89.5 | 0.75 | 0.84 | 0.88 | 8.76 | | |
| | | 213/5T | 22.0 | H | 7.1 | 2.2 | 3.1 | 1.34 | 20 | 44 | 154 | 58.0 | 1.25 | 1765 | 89.5 | 91.0 | 91.7 | 0.66 | 0.76 | 0.82 | 9.18 | | |
| | | 254/6T | 33.1 | H | 6.8 | 2.5 | 3.0 | 3.92 | 30 | 66 | 262 | 59.0 | 1.25 | 1175 | 89.5 | 90.2 | 91.0 | 0.63 | 0.74 | 0.80 | 9.48 | | |
| | | 254/6T | 44.2 | G | 5.3 | 2.0 | 2.5 | 4.43 | 33 | 73 | 284 | 54.0 | 1.25 | 880 | 85.5 | 87.5 | 87.5 | 0.50 | 0.63 | 0.71 | 11.1 | | |
| 10 | 7.5 | 213/5T | 14.7 | H | 7.2 | 2.2 | 2.9 | 0.6362 | 24 | 53 | 163 | 72.0 | 1.25 | 3520 | 89.5 | 90.2 | 90.2 | 0.79 | 0.87 | 0.90 | 11.6 | | |
| | | 213/5T | 29.4 | H | 6.4 | 2.0 | 3.0 | 1.51 | 17 | 37 | 172 | 58.0 | 1.25 | 1765 | 91.0 | 91.7 | 91.7 | 0.66 | 0.77 | 0.83 | 12.4 | | |
| | | 254/6T | 44.1 | H | 6.5 | 2.3 | 2.8 | 4.43 | 26 | 57 | 289 | 59.0 | 1.25 | 1175 | 90.2 | 91.0 | 91.0 | 0.63 | 0.74 | 0.78 | 13.3 | | |
| | | 284/6T | 58.9 | G | 5.6 | 2.0 | 2.4 | 7.20 | 32 | 70 | 373 | 54.0 | 1.25 | 880 | 89.5 | 90.2 | 90.2 | 0.61 | 0.72 | 0.78 | 13.4 | | |
| 15 | 11 | 254/6T | 22.0 | G | 6.7 | 2.2 | 2.7 | 1.26 | 25 | 55 | 236 | 72.0 | 1.25 | 3530 | 89.5 | 91.0 | 91.0 | 0.77 | 0.85 | 0.88 | 17.2 | | |
| | | 254/6T | 44.0 | G | 6.4 | 2.3 | 2.7 | 2.62 | 17 | 37 | 251 | 64.0 | 1.25 | 1765 | 91.0 | 91.7 | 92.4 | 0.68 | 0.78 | 0.83 | 18.0 | | |
| | | 284/6T | 66.1 | G | 6.4 | 2.3 | 2.7 | 7.85 | 20 | 44 | 379 | 59.0 | 1.25 | 1175 | 91.0 | 91.7 | 91.7 | 0.69 | 0.80 | 0.84 | 17.9 | | |
| | | 284/6T | 88.3 | G | 5.5 | 2.0 | 2.3 | 8.18 | 25 | 55 | 417 | 54.0 | 1.25 | 880 | 85.5 | 90.0 | 90.2 | 0.62 | 0.72 | 0.78 | 19.6 | | |
| 20 | 15 | 254/6T | 29.4 | G | 6.1 | 2.0 | 2.4 | 1.54 | 21 | 46 | 269 | 72.0 | 1.25 | 3520 | 91.0 | 91.7 | 91.0 | 0.82 | 0.87 | 0.89 | 23.2 | | |
| | | 254/6T | 58.7 | H | 6.9 | 2.3 | 2.7 | 3.10 | 15 | 33 | 291 | 64.0 | 1.25 | 1765 | 91.7 | 92.4 | 93.0 | 0.68 | 0.79 | 0.84 | 24.1 | | |
| | | 284/6T | 88.2 | G | 6.2 | 2.3 | 2.6 | 9.16 | 16 | 35 | 426 | 59.0 | 1.25 | 1175 | 91.0 | 91.7 | 91.7 | 0.70 | 0.80 | 0.85 | 24.2 | | |
| | | 324T | 118 | G | 5.0 | 1.9 | 2.2 | 9.37 | 27 | 59 | 452 | 56.0 | 1.25 | 880 | 89.5 | 91.0 | 91.0 | 0.54 | 0.66 | 0.73 | 28.3 | | |
| | | 324/6T | 118 | G | 5.0 | 1.9 | 2.2 | 9.37 | 27 | 59 | 452 | 56.0 | 1.25 | 880 | 89.5 | 91.0 | 91.0 | 0.54 | 0.66 | 0.73 | 28.3 | | |
| 25 | 18.5 | 284/6TS | 36.6 | G | 6.3 | 2.0 | 2.5 | 2.69 | 17 | 37 | 362 | 72.0 | 1.25 | 3535 | 91.0 | 91.7 | 91.7 | 0.82 | 0.87 | 0.89 | 28.5 | | |
| | | 284/6T | 73.4 | G | 6.2 | 2.4 | 2.7 | 5.11 | 24 | 53 | 388 | 64.0 | 1.25 | 1765 | 92.4 | 93.0 | 93.6 | 0.70 | 0.80 | 0.84 | 29.5 | | |
| | | 324/6T | 110 | G | 6.2 | 2.1 | 2.6 | 11.5 | 26 | 57 | 560 | 62.0 | 1.25 | 1180 | 91.7 | 93.0 | 93.0 | 0.65 | 0.77 | 0.82 | 30.4 | | |
| | | 324/6T | 147 | G | 5.2 | 2.0 | 2.3 | 11.9 | 23 | 51 | 509 | 56.0 | 1.25 | 880 | 89.5 | 91.0 | 91.0 | 0.51 | 0.64 | 0.71 | 35.9 | | |

continued on next page

W22 - General Purpose - Three Phase - TEFC - continued

| Output | | Frame | Full Load Torque (ft.lb) | Locked Rotor Current | | Locked Rotor Torque Tl/Tn | Break-down Torque Tb/Tn | Inertia J (lb-ft ²) | Allowable locked rotor time (s) | | Weight (lb) | Sound dB(A) | Service Factor | 460 V | | | | | | | Full load current In (A) |
|--------|-----|---------|-----------------------------|----------------------|-------|---------------------------|-------------------------|---------------------------------|---------------------------------|------|-------------|-------------|----------------|-------------------|----------------|------|------|--------------|------|------|--------------------------|
| | | | | Code | II/In | | | | Hot | Cold | | | | Rated speed (rpm) | % of full load | | | | | | |
| | | | | | | | | | | | | | | | Efficiency | | | Power Factor | | | |
| | | | | | | | | | | | | | | | 50 | 75 | 100 | 50 | 75 | 100 | |
| 30 | 22 | 284/6TS | 44.0 | G | 6.3 | 2.0 | 2.5 | 3.37 | 15 | 33 | 392 | 72.0 | 1.25 | 3535 | 91.7 | 91.7 | 91.7 | 0.82 | 0.87 | 0.89 | 33.8 |
| | | 284/6T | 88.1 | G | 6.1 | 2.4 | 2.4 | 5.85 | 20 | 44 | 437 | 64.0 | 1.25 | 1765 | 93.0 | 93.0 | 93.6 | 0.70 | 0.80 | 0.84 | 35.1 |
| | | 324/6T | 132 | G | 6.2 | 2.3 | 2.6 | 13.2 | 21 | 46 | 628 | 62.0 | 1.25 | 1180 | 91.7 | 93.0 | 93.0 | 0.65 | 0.76 | 0.82 | 36.2 |
| | | 364/5T | 177 | G | 6.2 | 1.7 | 2.4 | 23.5 | 20 | 44 | 803 | 60.0 | 1.25 | 880 | 92.4 | 92.4 | 92.4 | 0.63 | 0.74 | 0.80 | 37.0 |
| 40 | 30 | 324/6TS | 58.3 | G | 6.3 | 2.3 | 2.4 | 4.90 | 22 | 48 | 547 | 78.0 | 1.25 | 3555 | 91.7 | 92.4 | 92.4 | 0.82 | 0.87 | 0.89 | 45.8 |
| | | 324/6T | 117 | G | 6.1 | 2.2 | 2.4 | 9.16 | 20 | 44 | 492 | 66.0 | 1.25 | 1775 | 93.6 | 94.1 | 94.1 | 0.72 | 0.80 | 0.85 | 47.1 |
| | | 364/5T | 175 | G | 6.4 | 2.0 | 2.4 | 29.0 | 21 | 46 | 833 | 66.0 | 1.25 | 1185 | 93.6 | 93.6 | 94.1 | 0.73 | 0.82 | 0.86 | 46.5 |
| | | 364/5T | 235 | H | 6.7 | 1.7 | 2.3 | 29.0 | 18 | 40 | 875 | 60.0 | 1.25 | 880 | 92.4 | 93.0 | 92.4 | 0.66 | 0.76 | 0.81 | 50.3 |
| 50 | 37 | 324/6TS | 73.0 | F | 6.2 | 2.2 | 2.3 | 5.75 | 23 | 51 | 584 | 78.0 | 1.25 | 3550 | 93.0 | 93.0 | 93.0 | 0.83 | 0.87 | 0.89 | 56.1 |
| | | 324/6T | 146 | G | 6.2 | 2.3 | 2.7 | 9.16 | 15 | 33 | 536 | 66.0 | 1.25 | 1775 | 93.0 | 94.1 | 94.5 | 0.66 | 0.77 | 0.83 | 59.2 |
| | | 364/5T | 220 | G | 6.4 | 2.0 | 2.4 | 32.4 | 18 | 40 | 869 | 66.0 | 1.25 | 1180 | 93.6 | 94.1 | 94.1 | 0.74 | 0.83 | 0.86 | 57.4 |
| | | 404/5T | 294 | H | 6.8 | 1.7 | 2.6 | 34.6 | 15 | 33 | 1012 | 60.0 | 1.25 | 880 | 93.0 | 93.0 | 93.0 | 0.68 | 0.78 | 0.83 | 60.0 |
| 60 | 45 | 364/5TS | 87.3 | G | 6.6 | 2.0 | 2.6 | 10.6 | 14 | 31 | 825 | 79.0 | 1.25 | 3560 | 91.7 | 93.0 | 93.6 | 0.81 | 0.88 | 0.90 | 67.0 |
| | | 364/5T | 175 | G | 6.6 | 2.4 | 2.6 | 22.4 | 15 | 33 | 869 | 67.0 | 1.25 | 1775 | 94.1 | 94.5 | 95.0 | 0.75 | 0.83 | 0.87 | 68.3 |
| | | 404/5T | 262 | H | 7.1 | 2.0 | 2.3 | 36.9 | 20 | 44 | 1036 | 68.0 | 1.25 | 1185 | 94.1 | 94.5 | 94.5 | 0.74 | 0.82 | 0.86 | 69.5 |
| | | 404/5T | 353 | H | 6.5 | 1.8 | 2.7 | 40.2 | 13 | 29 | 1111 | 60.0 | 1.25 | 880 | 93.0 | 93.0 | 93.0 | 0.68 | 0.78 | 0.83 | 73.0 |
| 75 | 55 | 364/5TS | 109 | G | 6.7 | 2.0 | 2.6 | 11.9 | 10 | 22 | 847 | 79.0 | 1.25 | 3555 | 92.4 | 93.6 | 93.6 | 0.83 | 0.88 | 0.90 | 81.9 |
| | | 364/5T | 219 | G | 6.4 | 2.4 | 2.6 | 23.3 | 14 | 31 | 919 | 67.0 | 1.25 | 1775 | 94.5 | 95.0 | 95.4 | 0.73 | 0.82 | 0.86 | 84.1 |
| | | 404/5T | 329 | G | 6.4 | 2.0 | 2.3 | 40.2 | 17 | 37 | 1089 | 68.0 | 1.25 | 1180 | 94.1 | 94.5 | 94.5 | 0.74 | 0.83 | 0.86 | 84.9 |
| | | 444/5T | 437 | G | 6.0 | 1.8 | 2.1 | 73.6 | 18 | 40 | 1444 | 63.0 | 1.25 | 890 | 93.0 | 93.6 | 93.6 | 0.64 | 0.74 | 0.79 | 93.0 |
| 100 | 75 | 404/5TS | 146 | G | 6.5 | 2.0 | 2.4 | 13.2 | 14 | 31 | 1045 | 79.0 | 1.25 | 3545 | 93.0 | 94.1 | 94.1 | 0.85 | 0.90 | 0.91 | 110 |
| | | 404/5T | 292 | H | 7.3 | 2.4 | 2.6 | 29.9 | 13 | 29 | 1140 | 68.0 | 1.25 | 1775 | 95.0 | 95.0 | 95.4 | 0.77 | 0.84 | 0.88 | 111 |
| | | 444/5T | 437 | G | 6.2 | 2.2 | 2.6 | 87.3 | 20 | 44 | 1577 | 69.0 | 1.25 | 1185 | 94.5 | 95.0 | 95.0 | 0.68 | 0.78 | 0.82 | 121 |
| | | 444/5T | 582 | G | 6.0 | 1.9 | 2.2 | 87.3 | 15 | 33 | 1599 | 63.0 | 1.25 | 890 | 93.6 | 94.1 | 94.1 | 0.63 | 0.74 | 0.79 | 127 |
| 125 | 90 | 444/5TS | 181 | G | 6.6 | 2.0 | 2.5 | 33.5 | 29 | 64 | 1599 | 81.0 | 1.15 | 3570 | 93.6 | 94.5 | 95.0 | 0.82 | 0.87 | 0.89 | 134 |
| | | 444/5T | 364 | G | 6.5 | 2.0 | 2.3 | 57.2 | 27 | 59 | 1590 | 73.0 | 1.15 | 1780 | 95.0 | 95.4 | 95.4 | 0.74 | 0.82 | 0.85 | 139 |
| | | 444/5T | 547 | G | 6.4 | 2.1 | 2.4 | 104 | 19 | 42 | 1751 | 69.0 | 1.15 | 1185 | 95.0 | 95.4 | 95.0 | 0.70 | 0.79 | 0.83 | 143 |
| | | 445/7T | 728 | G | 6.0 | 1.8 | 2.1 | 104 | 17 | 37 | 1887 | 63.0 | 1.15 | 890 | 94.5 | 94.5 | 94.5 | 0.64 | 0.74 | 0.79 | 151 |
| 150 | 110 | 444/5TS | 218 | G | 6.5 | 1.8 | 2.4 | 39.1 | 22 | 48 | 1709 | 81.0 | 1.15 | 3570 | 94.1 | 95.0 | 95.0 | 0.83 | 0.88 | 0.89 | 163 |
| | | 444/5T | 437 | G | 6.6 | 2.0 | 2.5 | 66.7 | 27 | 59 | 1676 | 73.0 | 1.15 | 1780 | 95.4 | 95.8 | 95.8 | 0.74 | 0.82 | 0.85 | 170 |
| | | 445/7T | 656 | G | 6.2 | 2.4 | 2.6 | 134 | 20 | 44 | 2042 | 69.0 | 1.15 | 1185 | 95.0 | 95.4 | 95.8 | 0.67 | 0.78 | 0.82 | 176 |
| | | 445/7T | 873 | G | 6.0 | 1.9 | 2.1 | 125 | 15 | 33 | 2042 | 63.0 | 1.15 | 890 | 94.5 | 94.5 | 94.5 | 0.64 | 0.74 | 0.79 | 185 |
| 200 | 150 | 445/7TS | 290 | G | 6.5 | 2.1 | 2.3 | 44.7 | 14 | 31 | 1914 | 81.0 | 1.15 | 3570 | 95.0 | 95.4 | 95.4 | 0.86 | 0.89 | 0.90 | 219 |
| | | 445/7T | 580 | G | 6.8 | 2.3 | 2.5 | 76.2 | 16 | 35 | 2095 | 73.0 | 1.15 | 1785 | 95.8 | 96.2 | 96.2 | 0.73 | 0.82 | 0.85 | 230 |
| | | 447/9T | 871 | G | 6.6 | 2.3 | 2.4 | 145 | 15 | 33 | 2247 | 70.0 | 1.15 | 1190 | 95.0 | 95.4 | 95.8 | 0.68 | 0.79 | 0.83 | 237 |
| | | 586/7T | 1158 | G | 6.3 | 1.4 | 2.1 | 350 | 40 | 88 | 3334 | 75.0 | 1.15 | 895 | 95.0 | 95.4 | 95.4 | 0.65 | 0.75 | 0.80 | 247 |
| 250 | 185 | 447/9TS | 363 | F | 6.5 | 2.0 | 2.2 | 50.3 | 18 | 40 | 2159 | 81.0 | 1.15 | 3565 | 95.4 | 95.8 | 95.8 | 0.87 | 0.90 | 0.91 | 266 |
| | | 447/9T | 728 | G | 6.5 | 2.3 | 2.4 | 89.6 | 15 | 33 | 2079 | 75.0 | 1.15 | 1780 | 95.8 | 96.2 | 96.2 | 0.75 | 0.83 | 0.86 | 281 |
| | | 447/9T | 1093 | G | 6.1 | 2.4 | 2.4 | 145 | 12 | 26 | 2538 | 70.0 | 1.15 | 1185 | 95.0 | 95.4 | 95.8 | 0.68 | 0.79 | 0.83 | 292 |
| | | 586/7T | 1447 | G | 6.2 | 1.4 | 2.1 | 395 | 40 | 88 | 3649 | 75.0 | 1.15 | 895 | 95.4 | 95.8 | 95.8 | 0.66 | 0.76 | 0.81 | 299 |

continued on next page

W22 - General Purpose - Three Phase - TEFC - continued

| Output | | Frame | Full Load Torque (ft.lb) | Locked Rotor Current | | Locked Rotor Torque Tl/Tn | Break-down Torque Td/Tn | Inertia J (lb-ft ²) | Allowable locked rotor time (s) | | Weight (lb) | Sound dB(A) | Service Factor | 460 V | | | | | | Full load current In (A) | |
|--------|-------|---------|--------------------------|----------------------|------|---------------------------|-------------------------|---------------------------------|---------------------------------|-----|-------------|-------------|----------------|-------------------|----------------|------|------|--------------|------|--------------------------|-----|
| | | | | | | | | | | | | | | Rated speed (rpm) | % of full load | | | | | | |
| | | | | | | | | | | | | | | | Efficiency | | | Power Factor | | | |
| | | | | | | | | | | | | | | | 50 | 75 | 100 | 50 | 75 | | 100 |
| HP | kW | Code | II/In | Hot | Cold | | | | | | | | | | | | | | | | |
| 300 | 220 | 447/9TS | 435 | G | 6.8 | 2.1 | 2.4 | 58.1 | 14 | 31 | 2545 | 81.0 | 1.15 | 3570 | 95.4 | 95.8 | 95.8 | 0.86 | 0.89 | 0.90 | 320 |
| | | 447/9T | 873 | G | 6.5 | 2.3 | 2.3 | 89.6 | 16 | 35 | 2381 | 75.0 | 1.15 | 1780 | 95.8 | 96.2 | 96.2 | 0.77 | 0.84 | 0.87 | 330 |
| | | 447/9T | 1306 | J | 7.7 | 2.7 | 3.0 | 145 | 10 | 22 | 2613 | 70.0 | 1.15 | 1190 | 95.4 | 95.8 | 95.8 | 0.63 | 0.75 | 0.81 | 356 |
| | | 586/7T | 1737 | H | 6.7 | 1.5 | 2.2 | 451 | 40 | 88 | 4035 | 75.0 | 1.15 | 895 | 95.4 | 95.8 | 95.8 | 0.66 | 0.77 | 0.81 | 356 |
| 350 | 260 | 586/7TS | 507 | G | 6.6 | 1.6 | 2.3 | 136 | 28 | 62 | 3621 | 84.0 | 1.15 | 3580 | 95.4 | 96.2 | 96.2 | 0.86 | 0.90 | 0.91 | 373 |
| | | 447/9T | 1019 | G | 6.4 | 2.5 | 2.4 | 118 | 14 | 31 | 2675 | 75.0 | 1.15 | 1780 | 95.8 | 96.2 | 96.2 | 0.77 | 0.84 | 0.86 | 394 |
| | | 586/7T | 1524 | G | 6.0 | 2.0 | 2.1 | 328 | 29 | 64 | 3784 | 77.0 | 1.15 | 1190 | 95.4 | 95.8 | 95.8 | 0.67 | 0.77 | 0.81 | 421 |
| | | 586/7T | 2026 | G | 6.4 | 1.6 | 2.3 | 484 | 34 | 75 | 4309 | 75.0 | 1.00 | 895 | 95.4 | 95.8 | 95.8 | 0.64 | 0.75 | 0.80 | 426 |
| 400 | 300 | 586/7TS | 579 | G | 6.8 | 1.8 | 2.2 | 122 | 48 | 106 | 3749 | 84.0 | 1.15 | 3580 | 95.8 | 96.2 | 96.2 | 0.88 | 0.90 | 0.91 | 430 |
| | | 586/7T | 1158 | G | 6.3 | 2.0 | 2.2 | 179 | 19 | 42 | 3455 | 78.0 | 1.15 | 1790 | 95.8 | 96.2 | 96.2 | 0.78 | 0.85 | 0.86 | 455 |
| | | 586/7T | 1741 | G | 6.0 | 2.2 | 2.1 | 368 | 29 | 64 | 4115 | 77.0 | 1.15 | 1190 | 95.4 | 95.8 | 96.2 | 0.67 | 0.77 | 0.81 | 483 |
| | | 588/9T | 2315 | H | 6.7 | 1.5 | 2.4 | 537 | 25 | 55 | 4851 | 75.0 | 1.00 | 895 | 95.0 | 95.6 | 95.7 | 0.62 | 0.73 | 0.79 | 498 |
| 450 | 330 | 586/7TS | 651 | F | 6.6 | 2.0 | 2.3 | 132 | 34 | 75 | 3918 | 84.0 | 1.15 | 3580 | 95.8 | 96.2 | 96.2 | 0.88 | 0.90 | 0.91 | 473 |
| | | 586/7T | 1302 | G | 6.4 | 2.2 | 2.1 | 213 | 16 | 35 | 3640 | 78.0 | 1.15 | 1790 | 95.8 | 96.2 | 96.2 | 0.78 | 0.83 | 0.85 | 507 |
| | | 586/7T | 1959 | G | 6.1 | 2.1 | 2.1 | 368 | 25 | 55 | 4384 | 77.0 | 1.00 | 1190 | 95.8 | 96.2 | 96.2 | 0.67 | 0.77 | 0.81 | 532 |
| | | 588/9T | 2605 | G | 6.6 | 1.6 | 2.3 | 617 | 27 | 59 | 5281 | 75.0 | 1.00 | 895 | 95.2 | 95.7 | 95.8 | 0.65 | 0.75 | 0.81 | 534 |
| 500 | 370 | 586/7TS | 724 | G | 6.8 | 2.2 | 2.4 | 143 | 39 | 86 | 4086 | 84.0 | 1.15 | 3580 | 95.8 | 96.2 | 96.2 | 0.88 | 0.90 | 0.91 | 530 |
| | | 586/7T | 1447 | G | 6.5 | 2.2 | 2.3 | 256 | 16 | 35 | 3912 | 78.0 | 1.00 | 1790 | 95.8 | 96.2 | 96.2 | 0.80 | 0.85 | 0.87 | 555 |
| | | 586/7T | 2177 | G | 6.0 | 2.2 | 2.1 | 368 | 25 | 55 | 4403 | 77.0 | 1.00 | 1190 | 95.8 | 96.2 | 96.2 | 0.66 | 0.76 | 0.80 | 603 |
| 550 | 400 | 588/9TS | 795 | G | 7.4 | 2.3 | 2.7 | 155 | 33 | 73 | 4410 | 89.0 | 1.00 | 3585 | 96.0 | 96.5 | 96.5 | 0.84 | 0.89 | 0.90 | 578 |
| | | 586/7T | 1592 | G | 7.1 | 2.2 | 2.5 | 236 | 16 | 35 | 4335 | 78.0 | 1.00 | 1790 | 96.2 | 96.4 | 96.5 | 0.74 | 0.82 | 0.86 | 605 |
| | | 588/9T | 2395 | G | 6.5 | 2.2 | 2.3 | 389 | 30 | 66 | 4734 | 77.0 | 1.00 | 1190 | 95.2 | 96.0 | 96.1 | 0.63 | 0.74 | 0.79 | 661 |
| 600 | 440 | 588/9TS | 867 | H | 7.4 | 2.3 | 2.7 | 155 | 33 | 73 | 4410 | 89.0 | 1.00 | 3585 | 96.0 | 96.5 | 96.5 | 0.84 | 0.89 | 0.90 | 650 |
| | | 586/7T | 1737 | G | 7.1 | 2.3 | 2.5 | 236 | 16 | 35 | 4335 | 78.0 | 1.00 | 1790 | 96.2 | 96.4 | 96.5 | 0.74 | 0.82 | 0.86 | 665 |
| | | 588/9T | 2612 | H | 6.5 | 2.2 | 2.3 | 449 | 31 | 68 | 5173 | 77.0 | 1.00 | 1190 | 95.4 | 96.1 | 96.2 | 0.63 | 0.74 | 0.79 | 743 |
| 650 | 480 | 588/9TS | 939 | G | 7.1 | 2.0 | 2.4 | 176 | 56 | 123 | 4635 | 89.0 | 1.00 | 3585 | 96.1 | 96.6 | 96.6 | 0.86 | 0.90 | 0.91 | 685 |
| | | 588/9T | 1881 | H | 7.4 | 2.5 | 2.7 | 301 | 22 | 48 | 4395 | 81.0 | 1.00 | 1790 | 96.0 | 96.5 | 96.6 | 0.71 | 0.81 | 0.85 | 734 |
| 700 | 515.2 | 588/9TS | 1012 | G | 7.2 | 2.3 | 2.5 | 183 | 34 | 75 | 4805 | 89.0 | 1.00 | 3585 | 96.2 | 96.6 | 96.6 | 0.86 | 0.90 | 0.91 | 736 |
| | | 588/9T | 2026 | G | 6.5 | 2.5 | 2.2 | 335 | 23 | 51 | 4584 | 81.0 | 1.00 | 1790 | 96.2 | 96.5 | 96.6 | 0.76 | 0.81 | 0.85 | 788 |
| 750 | 550 | 588/9T | 2171 | G | 7.0 | 2.4 | 2.5 | 347 | 29 | 64 | 4952 | 81.0 | 1.00 | 1790 | 96.3 | 96.6 | 96.7 | 0.70 | 0.80 | 0.85 | 840 |

Rolled Steel - General Purpose - Three Phase - TEFC

| Output | | Frame | Full Load Torque (ft.lb) | Locked Rotor Current | | Locked Rotor Torque Tl/Tn | Break-down Torque Tb/Tn | Inertia J (lb-ft ²) | Allowable locked rotor time (s) | | Weight (lb) | Sound dB(A) | Service Factor | 460 V | | | | | | | |
|--------|------|--------|--------------------------|----------------------|-------|---------------------------|-------------------------|---------------------------------|---------------------------------|-----|-------------|-------------|----------------|-------------------|----------------|------|------|--------------|------|------|--------------------------|
| | | | | | | | | | | | | | | Rated speed (rpm) | % of full load | | | | | | Full load current In (A) |
| | | | | | | | | | | | | | | | Efficiency | | | Power Factor | | | |
| HP | KW | | | Code | ll/in | | | Hot | Cold | | | | | 50 | 75 | 100 | 50 | 75 | 100 | | |
| 1 | 0.75 | 143/5T | 1.48 | K | 7.8 | 2.0 | 3.0 | 0.0643 | 22 | 48 | 26.2 | 68.0 | 1.15 | 3510 | 72.0 | 77.0 | 78.5 | 0.65 | 0.76 | 0.83 | 1.44 |
| | | 143/5T | 2.94 | M | 8.6 | 2.8 | 3.0 | 0.1232 | 19 | 42 | 37.9 | 52.0 | 1.15 | 1765 | 82.5 | 84.0 | 85.5 | 0.52 | 0.66 | 0.75 | 1.47 |
| | | 143/5T | 4.52 | J | 5.8 | 2.3 | 2.8 | 0.1597 | 31 | 68 | 38.6 | 49.0 | 1.15 | 1145 | 80.0 | 82.5 | 82.5 | 0.50 | 0.63 | 0.72 | 1.58 |
| 1.5 | 1.1 | 143/5T | 2.21 | L | 9.1 | 2.3 | 3.0 | 0.1023 | 17 | 37 | 34.2 | 68.0 | 1.15 | 3520 | 80.0 | 82.5 | 84.0 | 0.71 | 0.82 | 0.88 | 1.87 |
| | | 143/5T | 4.44 | K | 8.2 | 2.7 | 3.0 | 0.1101 | 21 | 46 | 37.9 | 52.0 | 1.15 | 1750 | 85.5 | 86.5 | 86.5 | 0.59 | 0.72 | 0.79 | 2.02 |
| | | 182/4T | 6.64 | K | 6.9 | 2.4 | 3.4 | 0.2800 | 55 | 121 | 65.9 | 52.0 | 1.15 | 1170 | 84.0 | 86.5 | 87.5 | 0.50 | 0.63 | 0.71 | 2.22 |
| 2 | 1.5 | 143/5T | 2.94 | L | 9.9 | 2.5 | 3.0 | 0.1279 | 13 | 29 | 40.1 | 68.0 | 1.15 | 3520 | 82.5 | 85.5 | 85.5 | 0.73 | 0.83 | 0.89 | 2.47 |
| | | 143/5T | 5.94 | K | 8.2 | 2.7 | 3.0 | 0.1296 | 15 | 33 | 42.3 | 52.0 | 1.15 | 1745 | 85.5 | 87.5 | 86.5 | 0.60 | 0.73 | 0.80 | 2.72 |
| | | 182/4T | 8.86 | K | 7.5 | 2.6 | 3.7 | 0.3424 | 44 | 97 | 76.1 | 52.0 | 1.15 | 1170 | 84.0 | 86.5 | 88.5 | 0.50 | 0.62 | 0.71 | 3.00 |
| 3 | 2.2 | 182/4T | 4.42 | K | 8.8 | 2.2 | 3.0 | 0.1564 | 22 | 48 | 63.5 | 68.0 | 1.15 | 3515 | 84.0 | 86.5 | 86.5 | 0.71 | 0.82 | 0.87 | 3.67 |
| | | 182/4T | 8.81 | K | 8.8 | 2.2 | 3.0 | 0.4017 | 18 | 40 | 80.3 | 56.0 | 1.15 | 1765 | 87.5 | 88.5 | 89.5 | 0.61 | 0.74 | 0.81 | 3.81 |
| | | 213/5T | 13.2 | H | 6.4 | 2.3 | 2.9 | 1.08 | 46 | 101 | 130 | 55.0 | 1.15 | 1175 | 85.5 | 88.5 | 89.5 | 0.55 | 0.67 | 0.74 | 4.17 |
| 5 | 3.7 | 182/4T | 7.40 | J | 7.8 | 2.2 | 3.0 | 0.2079 | 17 | 37 | 78.5 | 68.0 | 1.15 | 3500 | 87.5 | 88.5 | 88.5 | 0.76 | 0.85 | 0.89 | 5.90 |
| | | 182/4T | 14.8 | J | 7.0 | 2.2 | 3.0 | 0.3080 | 16 | 35 | 71.4 | 56.0 | 1.15 | 1750 | 88.5 | 89.5 | 89.5 | 0.60 | 0.73 | 0.80 | 6.49 |
| | | 213/5T | 22.0 | H | 6.0 | 2.2 | 2.5 | 1.26 | 30 | 66 | 144 | 55.0 | 1.15 | 1175 | 87.5 | 88.5 | 89.5 | 0.59 | 0.71 | 0.77 | 6.74 |
| 7.5 | 5.5 | 213/5T | 11.0 | H | 7.6 | 2.6 | 3.0 | 0.5496 | 15 | 33 | 133 | 70.0 | 1.15 | 3530 | 87.5 | 88.5 | 89.5 | 0.76 | 0.85 | 0.89 | 8.67 |
| | | 213/5T | 22.0 | H | 7.3 | 2.6 | 3.0 | 0.9380 | 22 | 48 | 120 | 60.0 | 1.15 | 1770 | 90.2 | 91.0 | 91.7 | 0.64 | 0.76 | 0.82 | 9.07 |
| | | 254/6T | 33.1 | G | 5.4 | 2.0 | 2.3 | 2.34 | 42 | 92 | 204 | 59.0 | 1.15 | 1175 | 89.5 | 89.5 | 91.0 | 0.58 | 0.70 | 0.76 | 9.98 |
| 10 | 7.5 | 213/5T | 14.7 | H | 7.5 | 2.6 | 3.0 | 0.7188 | 12 | 26 | 161 | 70.0 | 1.15 | 3530 | 89.5 | 90.2 | 90.2 | 0.80 | 0.88 | 0.91 | 11.5 |
| | | 213/5T | 29.4 | H | 7.0 | 2.5 | 3.0 | 1.07 | 15 | 33 | 130 | 60.0 | 1.15 | 1760 | 91.0 | 91.0 | 91.7 | 0.67 | 0.78 | 0.84 | 12.2 |
| | | 254/6T | 44.1 | G | 5.4 | 2.1 | 2.3 | 2.83 | 30 | 66 | 234 | 59.0 | 1.15 | 1175 | 90.2 | 91.0 | 91.0 | 0.57 | 0.69 | 0.75 | 13.8 |
| 15 | 11 | 254/6T | 22.0 | G | 6.8 | 2.0 | 3.0 | 0.8718 | 14 | 31 | 175 | 75.0 | 1.15 | 3525 | 89.5 | 91.0 | 91.0 | 0.73 | 0.83 | 0.87 | 17.4 |
| | | 254/6T | 43.9 | G | 6.5 | 2.5 | 3.0 | 2.15 | 19 | 42 | 197 | 68.0 | 1.15 | 1770 | 91.0 | 92.4 | 92.4 | 0.64 | 0.76 | 0.82 | 18.2 |
| 20 | 15 | 254/6T | 29.5 | G | 6.6 | 2.0 | 2.9 | 1.22 | 12 | 26 | 211 | 75.0 | 1.15 | 3515 | 90.0 | 91.0 | 91.0 | 0.81 | 0.88 | 0.91 | 22.7 |
| | | 254/6T | 58.7 | H | 6.7 | 2.7 | 3.0 | 2.64 | 16 | 35 | 227 | 68.0 | 1.15 | 1765 | 91.7 | 92.4 | 93.0 | 0.66 | 0.77 | 0.82 | 24.7 |
| 25 | 18.5 | 254/6T | 36.7 | J | 8.3 | 2.4 | 3.4 | 1.31 | 8 | 18 | 221 | 75.0 | 1.15 | 3530 | 91.0 | 91.7 | 91.7 | 0.77 | 0.85 | 0.89 | 28.5 |

ODP Rolled Steel up to 254/6T Frame - Three Phase - General Purpose

| Output | | Frame | Full Load Torque (ft.lb) | Locked Rotor Current | | Locked Rotor Torque Tl/Tn | Break-down Torque Tb/Tn | Inertia J (lb-ft ²) | Allowable locked rotor time (s) | | Weight (lb) | Sound dB(A) | Service Factor | 460 V | | | | | | | |
|--------|------|--------|-----------------------------|----------------------|-------|---------------------------|-------------------------|---------------------------------|---------------------------------|------|-------------|-------------|----------------|-------------------|----------------|------|------|--------------|------|------|--------------------------|
| | | | | Code | II/In | | | | Hot | Cold | | | | Rated speed (rpm) | % of full load | | | | | | Full load current In (A) |
| | | | | | | | | | | | | | | | Efficiency | | | Power Factor | | | |
| | | | | | | | | | | | | | | | 50 | 75 | 100 | 50 | 75 | 100 | |
| 1 | 0.75 | 143/5T | 1.48 | L | 8.3 | 2.1 | 3.3 | 0.0643 | 22 | 48 | 25.4 | 62.0 | 1.15 | 3510 | 74.0 | 78.5 | 80.0 | 0.66 | 0.78 | 0.85 | 1.38 |
| | | 143/5T | 2.94 | L | 8.0 | 2.9 | 3.6 | 0.1101 | 22 | 48 | 34.4 | 52.0 | 1.15 | 1760 | 81.5 | 84.0 | 85.5 | 0.51 | 0.65 | 0.73 | 1.51 |
| | | 143/5T | 4.51 | K | 6.1 | 2.5 | 3.0 | 0.1419 | 24 | 53 | 35.3 | 49.0 | 1.15 | 1150 | 78.5 | 81.5 | 82.5 | 0.47 | 0.60 | 0.69 | 1.65 |
| 1.5 | 1.1 | 143/5T | 2.21 | K | 8.6 | 2.1 | 3.3 | 0.0835 | 19 | 42 | 29.3 | 62.0 | 1.15 | 3510 | 81.5 | 84.0 | 84.0 | 0.73 | 0.83 | 0.89 | 1.85 |
| | | 143/5T | 4.42 | L | 8.7 | 2.8 | 3.3 | 0.1426 | 15 | 33 | 41.9 | 52.0 | 1.15 | 1760 | 84.0 | 86.5 | 86.5 | 0.56 | 0.69 | 0.77 | 2.07 |
| | | 182/4T | 6.67 | J | 6.5 | 2.0 | 3.1 | 0.2178 | 46 | 101 | 56.0 | 52.0 | 1.15 | 1165 | 84.0 | 85.5 | 86.5 | 0.51 | 0.63 | 0.71 | 2.25 |
| 2 | 1.5 | 143/5T | 2.95 | K | 8.9 | 2.2 | 3.3 | 0.1151 | 14 | 31 | 36.8 | 62.0 | 1.15 | 3510 | 84.0 | 85.5 | 85.5 | 0.77 | 0.86 | 0.91 | 2.42 |
| | | 143/5T | 5.96 | K | 7.7 | 2.6 | 3.2 | 0.1168 | 17 | 37 | 39.0 | 52.0 | 1.15 | 1740 | 85.5 | 86.5 | 86.5 | 0.61 | 0.74 | 0.81 | 2.69 |
| | | 182/4T | 8.89 | J | 6.6 | 2.0 | 3.0 | 0.2800 | 33 | 73 | 66.1 | 52.0 | 1.15 | 1165 | 85.5 | 86.5 | 87.5 | 0.53 | 0.66 | 0.73 | 2.95 |
| 3 | 2.2 | 143/5T | 4.47 | J | 8.0 | 2.3 | 3.0 | 0.1279 | 9 | 20 | 39.9 | 62.0 | 1.15 | 3480 | 84.0 | 85.5 | 85.5 | 0.76 | 0.86 | 0.90 | 3.59 |
| | | 182/4T | 8.81 | K | 8.4 | 2.2 | 3.3 | 0.3092 | 15 | 33 | 65.9 | 55.0 | 1.15 | 1765 | 87.5 | 88.5 | 89.5 | 0.60 | 0.73 | 0.80 | 3.86 |
| | | 213/5T | 13.2 | H | 5.9 | 2.1 | 2.6 | 0.8104 | 39 | 86 | 98.3 | 55.0 | 1.15 | 1175 | 86.5 | 87.5 | 88.5 | 0.56 | 0.68 | 0.75 | 4.16 |
| 5 | 3.7 | 182/4T | 7.38 | J | 7.6 | 1.9 | 3.0 | 0.1386 | 12 | 26 | 58.7 | 65.0 | 1.15 | 3510 | 85.5 | 86.5 | 86.5 | 0.73 | 0.83 | 0.88 | 6.10 |
| | | 182/4T | 14.7 | J | 7.2 | 2.0 | 3.1 | 0.4003 | 12 | 26 | 79.8 | 55.0 | 1.15 | 1760 | 88.5 | 88.5 | 89.5 | 0.63 | 0.76 | 0.82 | 6.33 |
| | | 213/5T | 22.0 | H | 5.9 | 2.2 | 2.5 | 1.08 | 29 | 64 | 118 | 55.0 | 1.15 | 1175 | 88.5 | 89.5 | 89.5 | 0.58 | 0.70 | 0.77 | 6.74 |
| 7.5 | 5.5 | 182/4T | 11.1 | H | 7.4 | 1.8 | 2.9 | 0.1818 | 10 | 22 | 69.9 | 65.0 | 1.15 | 3500 | 88.5 | 88.5 | 88.5 | 0.76 | 0.85 | 0.90 | 8.67 |
| | | 213/5T | 22.0 | H | 7.2 | 2.4 | 3.2 | 1.03 | 13 | 29 | 116 | 59.0 | 1.15 | 1770 | 89.5 | 90.2 | 91.0 | 0.65 | 0.77 | 0.82 | 9.25 |
| 10 | 7.5 | 213/5T | 14.7 | H | 6.8 | 2.0 | 2.8 | 0.4651 | 11 | 24 | 117 | 66.0 | 1.15 | 3535 | 88.5 | 89.5 | 89.5 | 0.74 | 0.84 | 0.88 | 12.0 |
| | | 213T | 14.7 | H | 7.2 | 2.2 | 2.8 | 0.4881 | 15 | 33 | 121 | 68.0 | 1.15 | 3520 | 89.5 | 90.2 | 90.2 | 0.73 | 0.83 | 0.88 | 11.9 |
| | | 213/5T | 29.3 | H | 7.0 | 2.5 | 3.5 | 1.30 | 14 | 31 | 137 | 59.0 | 1.15 | 1770 | 90.2 | 91.0 | 91.7 | 0.64 | 0.77 | 0.83 | 12.4 |
| 15 | 11 | 213/5T | 22.0 | G | 6.8 | 2.1 | 2.8 | 0.5512 | 8 | 18 | 131 | 66.0 | 1.15 | 3535 | 90.2 | 90.2 | 90.2 | 0.77 | 0.86 | 0.89 | 17.2 |



ODP Cast Iron - 254 Frame and Larger - Three Phase - General Purpose

| Output | | Frame | Full Load Torque (ft.lb) | Locked Rotor Current | | Locked Rotor Torque Tl/Tn | Break-down Torque Tbr/Tn | Inertia J (lb-ft ²) | Allowable locked rotor time (s) | | Weight (lb) | Sound dB(A) | Service Factor | 460 V | | | | | | | |
|--------|------|---------|--------------------------|----------------------|-------|---------------------------|--------------------------|---------------------------------|---------------------------------|------|-------------|-------------|----------------|-------------------|----------------|------|------|--------------|------|------|--------------------------|
| | | | | Code | II/In | | | | Hot | Cold | | | | Rated speed (rpm) | % of full load | | | | | | Full load current In (A) |
| | | | | | | | | | | | | | | | Efficiency | | | Power Factor | | | |
| | | | | | | | | | 50 | 75 | | | | | 100 | 50 | 75 | 100 | | | |
| 7.5 | 5.5 | 254T | 32.9 | H | 6.7 | 2.6 | 3.0 | 2.29 | 16 | 35 | 240 | 59.0 | 1.25 | 1180 | 87.5 | 89.5 | 90.2 | 0.58 | 0.70 | 0.77 | 9.94 |
| 10 | 7.5 | 254/6T | 43.9 | H | 6.8 | 2.3 | 3.0 | 3.53 | 17 | 37 | 300 | 59.0 | 1.25 | 1180 | 90.2 | 91.0 | 91.7 | 0.62 | 0.74 | 0.80 | 12.8 |
| 15 | 11 | 254T | 43.9 | G | 6.4 | 2.4 | 2.8 | 2.72 | 17 | 37 | 289 | 62.0 | 1.25 | 1770 | 91.7 | 92.4 | 93.0 | 0.66 | 0.78 | 0.85 | 17.5 |
| | | 284T | 65.9 | G | 6.3 | 2.6 | 2.6 | 4.80 | 16 | 35 | 337 | 59.0 | 1.25 | 1180 | 91.0 | 91.7 | 91.7 | 0.67 | 0.77 | 0.82 | 18.4 |
| 20 | 15 | 254T | 29.3 | G | 6.3 | 2.0 | 2.8 | 0.8718 | 12 | 26 | 240 | --- | 1.25 | 3535 | 90.2 | 91.0 | 91.0 | 0.72 | 0.82 | 0.85 | 24.3 |
| | | 254/6T | 58.7 | G | 6.4 | 2.2 | 2.8 | 3.13 | 12 | 26 | 320 | 62.0 | 1.25 | 1765 | 92.4 | 93.0 | 93.0 | 0.69 | 0.79 | 0.84 | 24.1 |
| | | 284/6T | 88.0 | G | 6.4 | 2.3 | 2.6 | 6.89 | 15 | 33 | 410 | 59.0 | 1.25 | 1177 | 91.7 | 92.4 | 92.4 | 0.71 | 0.80 | 0.84 | 24.3 |
| 25 | 18.5 | 254/6T | 36.6 | G | 6.5 | 2.0 | 2.8 | 1.13 | 11 | 24 | 276 | --- | 1.25 | 3535 | 91.0 | 91.7 | 91.7 | 0.77 | 0.85 | 0.88 | 28.8 |
| | | 284T | 73.2 | G | 6.6 | 2.7 | 2.8 | 3.71 | 17 | 37 | 370 | 64.0 | 1.25 | 1770 | 93.0 | 93.6 | 93.6 | 0.69 | 0.80 | 0.84 | 29.5 |
| | | 324T | 109 | G | 6.2 | 2.1 | 2.5 | 7.69 | 18 | 40 | 474 | 62.0 | 1.25 | 1183 | 91.7 | 92.4 | 93.0 | 0.65 | 0.76 | 0.81 | 30.8 |
| 30 | 22 | 284TS | 43.8 | G | 6.3 | 1.8 | 2.8 | 1.59 | 10 | 22 | 324 | 73.0 | 1.25 | 3545 | 90.2 | 91.7 | 91.7 | 0.73 | 0.82 | 0.86 | 35.0 |
| | | 284/6T | 87.8 | G | 6.6 | 2.8 | 2.8 | 4.52 | 18 | 40 | 421 | 64.0 | 1.25 | 1770 | 93.6 | 94.1 | 94.1 | 0.70 | 0.80 | 0.84 | 34.9 |
| | | 324/6T | 131 | G | 6.3 | 2.0 | 2.4 | 9.56 | 17 | 37 | 545 | 62.0 | 1.25 | 1182 | 92.4 | 93.0 | 93.6 | 0.70 | 0.79 | 0.82 | 36.0 |
| 40 | 30 | 284/6TS | 58.5 | G | 6.5 | 1.9 | 2.6 | 2.02 | 8 | 18 | 370 | 73.0 | 1.25 | 3540 | 91.7 | 92.4 | 92.4 | 0.76 | 0.84 | 0.87 | 46.8 |
| | | 324T | 117 | G | 6.2 | 2.0 | 2.4 | 5.69 | 13 | 29 | 472 | 66.0 | 1.25 | 1775 | 93.6 | 94.1 | 94.1 | 0.70 | 0.80 | 0.84 | 47.6 |
| | | 364/5T | 175 | G | 6.4 | 2.0 | 2.3 | 21.8 | 22 | 48 | 787 | 68.0 | 1.25 | 1185 | 93.6 | 94.1 | 94.1 | 0.74 | 0.82 | 0.85 | 47.1 |
| 50 | 37 | 324TS | 72.8 | G | 6.3 | 2.0 | 2.2 | 3.02 | 14 | 31 | 450 | 75.0 | 1.25 | 3560 | 91.7 | 93.0 | 93.0 | 0.73 | 0.82 | 0.85 | 58.7 |
| | | 324/6T | 146 | G | 6.3 | 2.4 | 2.4 | 7.08 | 11 | 24 | 542 | 66.0 | 1.25 | 1775 | 94.1 | 94.5 | 94.5 | 0.70 | 0.80 | 0.84 | 58.5 |
| | | 364/5T | 219 | G | 6.7 | 2.2 | 2.4 | 23.9 | 15 | 33 | 820 | 68.0 | 1.25 | 1185 | 93.6 | 94.1 | 94.1 | 0.74 | 0.82 | 0.85 | 58.1 |
| 60 | 45 | 324/6TS | 87.3 | G | 6.3 | 2.2 | 2.3 | 3.82 | 12 | 26 | 514 | 75.0 | 1.25 | 3560 | 92.4 | 93.0 | 93.6 | 0.73 | 0.82 | 0.85 | 71.0 |
| | | 364/5T | 175 | G | 6.5 | 2.0 | 2.4 | 15.6 | 19 | 42 | 785 | 69.0 | 1.25 | 1780 | 94.5 | 95.0 | 95.0 | 0.73 | 0.82 | 0.85 | 69.9 |
| | | 404/5T | 262 | G | 6.7 | 2.4 | 2.5 | 29.4 | 16 | 35 | 975 | 68.0 | 1.25 | 1185 | 91.7 | 94.5 | 94.5 | 0.73 | 0.82 | 0.85 | 70.3 |
| 75 | 55 | 364/5TS | 109 | G | 6.6 | 2.0 | 2.5 | 6.40 | 19 | 42 | 736 | 84.0 | 1.25 | 3560 | 91.7 | 93.0 | 93.6 | 0.77 | 0.84 | 0.87 | 84.8 |
| | | 364/5T | 218 | G | 6.8 | 2.2 | 2.6 | 16.8 | 14 | 31 | 811 | 69.0 | 1.25 | 1780 | 94.5 | 95.0 | 95.0 | 0.73 | 0.82 | 0.85 | 85.5 |
| | | 404/5T | 328 | G | 6.7 | 2.4 | 2.7 | 31.6 | 11 | 24 | 1008 | 68.0 | 1.25 | 1185 | 94.1 | 94.5 | 94.5 | 0.72 | 0.81 | 0.85 | 85.9 |
| 100 | 75 | 364/5TS | 146 | G | 6.6 | 1.8 | 2.3 | 7.20 | 13 | 29 | 774 | 84.0 | 1.25 | 3555 | 92.4 | 93.6 | 93.6 | 0.77 | 0.84 | 0.87 | 116 |
| | | 404/5T | 291 | G | 6.8 | 2.0 | 2.5 | 21.9 | 12 | 26 | 992 | 69.0 | 1.25 | 1780 | 95.0 | 95.4 | 95.4 | 0.75 | 0.83 | 0.86 | 115 |
| | | 444/5T | 435 | G | 6.1 | 2.0 | 2.5 | 60.6 | 13 | 29 | 1301 | 69.0 | 1.25 | 1190 | 94.5 | 95.0 | 95.0 | 0.61 | 0.71 | 0.78 | 127 |
| 125 | 90 | 404/5TS | 182 | G | 6.8 | 1.7 | 2.6 | 8.23 | 12 | 26 | 886 | 84.0 | 1.25 | 3557 | 93.0 | 94.1 | 94.1 | 0.79 | 0.86 | 0.88 | 136 |
| | | 404/5T | 364 | G | 6.9 | 2.7 | 2.6 | 25.5 | 10 | 22 | 1072 | 69.0 | 1.25 | 1780 | 95.0 | 95.4 | 95.4 | 0.75 | 0.83 | 0.86 | 138 |
| | | 444/5T | 545 | G | 6.3 | 2.1 | 2.5 | 63.2 | 11 | 24 | 1389 | 69.0 | 1.25 | 1189 | 94.5 | 95.0 | 95.0 | 0.59 | 0.71 | 0.77 | 154 |
| 150 | 110 | 404/5TS | 219 | G | 6.6 | 2.0 | 2.5 | 8.80 | 9 | 20 | 931 | 84.0 | 1.25 | 3552 | 93.6 | 94.1 | 94.1 | 0.79 | 0.86 | 0.88 | 167 |
| | | 444/5T | 436 | G | 6.5 | 2.0 | 2.4 | 42.1 | 22 | 48 | 1374 | 78.0 | 1.25 | 1784 | 95.4 | 95.8 | 95.8 | 0.74 | 0.82 | 0.85 | 170 |
| | | 444/5T | 654 | G | 6.4 | 2.1 | 2.6 | 79.0 | 11 | 24 | 1563 | 69.0 | 1.25 | 1188 | 94.5 | 95.0 | 95.4 | 0.62 | 0.73 | 0.79 | 183 |
| 200 | 150 | 444/5TS | 290 | G | 6.5 | 1.4 | 2.3 | 23.8 | 21 | 46 | 1400 | 85.0 | 1.15 | 3570 | 93.0 | 94.5 | 95.0 | 0.79 | 0.86 | 0.88 | 225 |
| | | 444/5T | 581 | G | 6.6 | 2.1 | 2.5 | 46.4 | 14 | 31 | 1446 | 78.0 | 1.15 | 1783 | 95.4 | 95.8 | 95.8 | 0.72 | 0.80 | 0.84 | 234 |
| | | 447/9T | 874 | F | 5.8 | 2.0 | 2.2 | 98.2 | 18 | 40 | 2260 | 75.0 | 1.15 | 1185 | 95.0 | 95.4 | 95.4 | 0.69 | 0.78 | 0.82 | 241 |

continued on next page

Electrical Data

ODP Cast Iron - 254 Frame and Larger - Three Phase - General Purpose - *continued*

| Output | | Frame | Full Load Torque (ft.lb) | Locked Rotor Current | | Locked Rotor Torque Tl/Tn | Break-down Torque Td/Tn | Inertia J (lb-ft ²) | Allowable locked rotor time (s) | | Weight (lb) | Sound dB(A) | Service Factor | 460 V | | | | | | | | |
|--------|-----|----------|--------------------------|----------------------|------|---------------------------|-------------------------|---------------------------------|---------------------------------|------|-------------|-------------|----------------|-------------------|----------------|------|------|--------------|------|------|--------------------------|--|
| | | | | Code | ll/n | | | | Hot | Cold | | | | Rated speed (rpm) | % of full load | | | | | | Full load current In (A) | |
| | | | | | | | | | | | | | | | Efficiency | | | Power Factor | | | | |
| | | | | | | | | | | | | | | | 50 | 75 | 100 | 50 | 75 | 100 | | |
| 250 | 185 | 444/5TS | 363 | G | 6.7 | 1.5 | 2.3 | 26.9 | 16 | 35 | 1488 | 85.0 | 1.15 | 3570 | 93.6 | 94.5 | 95.0 | 0.79 | 0.85 | 0.88 | 278 | |
| | | 444/5T | 728 | G | 6.4 | 2.1 | 2.4 | 50.9 | 9 | 20 | 1517 | 78.0 | 1.15 | 1780 | 95.4 | 95.8 | 95.8 | 0.72 | 0.80 | 0.84 | 289 | |
| | | 447/9T | 1093 | G | 6.5 | 2.2 | 2.4 | 115 | 18 | 40 | 2481 | 75.0 | 1.15 | 1185 | 95.4 | 95.8 | 95.8 | 0.67 | 0.77 | 0.81 | 299 | |
| 300 | 220 | 444/5TS | 435 | G | 6.5 | 1.5 | 2.4 | 28.6 | 12 | 26 | 1535 | 85.0 | 1.15 | 3570 | 95.0 | 95.4 | 95.4 | 0.80 | 0.86 | 0.88 | 329 | |
| | | 447/9T | 873 | G | 7.1 | 2.2 | 2.3 | 56.1 | 10 | 22 | 2150 | 78.0 | 1.15 | 1780 | 95.8 | 95.8 | 95.8 | 0.81 | 0.87 | 0.89 | 324 | |
| | | 447/9T* | 1306 | H | 6.7 | 2.4 | 2.8 | 131 | 18 | 40 | 2701 | 75.0 | 1.15 | 1190 | 95.4 | 95.8 | 95.8 | 0.62 | 0.73 | 0.79 | 365 | |
| 350 | 260 | 447/9TS | 509 | G | 6.5 | 1.7 | 2.5 | 35.7 | 14 | 31 | 1874 | 87.0 | 1.15 | 3565 | 95.0 | 95.4 | 95.4 | 0.83 | 0.88 | 0.89 | 384 | |
| | | 447/9T | 1019 | G | 6.6 | 2.0 | 2.3 | 66.1 | 10 | 22 | 2370 | 78.0 | 1.15 | 1780 | 95.8 | 95.8 | 95.8 | 0.76 | 0.83 | 0.86 | 396 | |
| | | 5010/11 | 1524 | G | 6.2 | 2.0 | 2.1 | 217 | 15 | 33 | 3528 | 78.0 | 1.15 | 1190 | 95.4 | 95.8 | 95.8 | 0.71 | 0.80 | 0.84 | 406 | |
| 400 | 300 | 447/9TS | 581 | G | 6.5 | 1.7 | 2.5 | 39.1 | 14 | 31 | 2040 | 87.0 | 1.15 | 3565 | 95.4 | 95.8 | 95.8 | 0.83 | 0.88 | 0.89 | 442 | |
| | | 447/9T | 1164 | G | 6.8 | 2.3 | 2.3 | 77.6 | 9 | 20 | 2591 | 78.0 | 1.15 | 1780 | 95.8 | 95.8 | 95.8 | 0.78 | 0.85 | 0.87 | 452 | |
| | | 5010/11 | 1741 | G | 6.3 | 2.1 | 2.1 | 265 | 15 | 33 | 3749 | 78.0 | 1.15 | 1190 | 95.4 | 95.8 | 95.8 | 0.71 | 0.80 | 0.84 | 468 | |
| 450 | 330 | 447/9TS | 654 | G | 6.8 | 1.8 | 2.5 | 43.6 | 14 | 31 | 2128 | 87.0 | 1.15 | 3565 | 95.8 | 96.2 | 96.2 | 0.84 | 0.89 | 0.90 | 478 | |
| | | 5010/11 | 1305 | G | 6.8 | 2.2 | 2.2 | 118 | 18 | 40 | 3087 | 80.0 | 1.15 | 1787 | 95.4 | 95.8 | 96.2 | 0.73 | 0.82 | 0.85 | 507 | |
| | | 5010/11* | 1959 | G | 6.5 | 2.3 | 2.3 | 265 | 15 | 33 | 3749 | 78.0 | 1.00 | 1190 | 95.4 | 95.8 | 95.8 | 0.68 | 0.78 | 0.82 | 527 | |
| 500 | 370 | 447/9TS | 726 | G | 7.1 | 1.9 | 2.5 | 46.9 | 14 | 31 | 2194 | 87.0 | 1.15 | 3570 | 95.8 | 96.2 | 96.2 | 0.84 | 0.89 | 0.90 | 536 | |
| | | 5010/11 | 1450 | H | 7.0 | 2.3 | 2.3 | 131 | 17 | 37 | 3308 | 80.0 | 1.15 | 1787 | 95.4 | 95.8 | 96.2 | 0.73 | 0.82 | 0.85 | 568 | |
| | | 447/9TS | 799 | G | 7.2 | 2.0 | 2.5 | 50.3 | 14 | 31 | 2326 | 87.0 | 1.15 | 3565 | 95.8 | 96.2 | 96.2 | 0.84 | 0.89 | 0.90 | 580 | |
| 550 | 400 | 5010/11 | 1595 | G | 6.8 | 2.2 | 2.2 | 144 | 16 | 35 | 3528 | 80.0 | 1.15 | 1787 | 95.6 | 96.2 | 96.2 | 0.76 | 0.84 | 0.87 | 600 | |
| 600 | 440 | 447/9TS | 872 | H | 7.9 | 1.9 | 2.7 | 53.6 | 14 | 31 | 2414 | 87.0 | 1.15 | 3565 | 95.8 | 96.2 | 96.2 | 0.81 | 0.88 | 0.89 | 645 | |
| | | 5010/11* | 1740 | G | 6.8 | 2.2 | 2.2 | 157 | 12 | 26 | 3749 | 80.0 | 1.00 | 1787 | 95.8 | 96.2 | 96.2 | 0.76 | 0.84 | 0.87 | 660 | |
| 650 | 480 | 5010/11 | 943 | G | 6.5 | 1.8 | 2.3 | 73.3 | 12 | 26 | 2977 | 89.0 | 1.15 | 3570 | 95.0 | 95.4 | 96.2 | 0.78 | 0.85 | 0.88 | 712 | |
| | | L5010/11 | 1887 | F | 6.0 | 1.5 | 2.2 | 219 | 25 | 55 | 5292 | 80.0 | 1.15 | 1785 | 95.4 | 96.2 | 96.2 | 0.76 | 0.83 | 0.85 | 737 | |
| 700 | 515 | 5010/11 | 1016 | G | 6.8 | 2.0 | 2.4 | 78.5 | 16 | 35 | 3418 | 89.0 | 1.15 | 3570 | 95.4 | 95.8 | 96.2 | 0.79 | 0.86 | 0.88 | 764 | |
| | | L5010/11 | 2032 | H | 7.0 | 1.8 | 2.3 | 106 | 15 | 33 | 5954 | 80.0 | 1.15 | 1785 | 95.4 | 96.2 | 96.2 | 0.70 | 0.80 | 0.84 | 800 | |
| 750 | 560 | 5010/11 | 1085 | H | 7.5 | 2.1 | 2.6 | 89.0 | 12 | 26 | 3308 | 89.0 | 1.15 | 3580 | 95.4 | 96.0 | 96.0 | 0.76 | 0.83 | 0.87 | 827 | |
| | | L5010/11 | 2177 | G | 6.5 | 1.7 | 2.3 | 248 | 25 | 55 | 5954 | 80.0 | 1.15 | 1785 | 95.4 | 96.2 | 96.2 | 0.73 | 0.81 | 0.84 | 870 | |
| 800 | 590 | 5010/11 | 1159 | H | 7.4 | 2.0 | 2.5 | 89.0 | 12 | 26 | 3528 | 89.0 | 1.15 | 3575 | 95.8 | 96.2 | 96.2 | 0.78 | 0.85 | 0.87 | 885 | |
| | | L5010/11 | 2322 | F | 6.2 | 1.6 | 2.2 | 248 | 25 | 55 | 5954 | 80.0 | 1.00 | 1785 | 95.4 | 96.2 | 96.2 | 0.74 | 0.82 | 0.85 | 906 | |

Explosion Proof - Three Phase

| Output | | Frame | Full Load Torque (ft. lb) | Locked Rotor Current | | Locked Rotor Torque Tl/Tn | Break-down Torque Tb/Tn | Inertia J (lb-ft ²) | Allowable locked rotor time (s) | | Weight (lb) | Sound dB(A) | Service Factor | 460 V | | | | | | | |
|--------|------|-------|---------------------------|----------------------|------|---------------------------|-------------------------|---------------------------------|---------------------------------|-----|-------------|-------------|----------------|-------------------|----------------|------|------|--------------|------|------|--------------------------|
| | | | | | | | | | | | | | | Rated speed (rpm) | % of full load | | | | | | Full load current In (A) |
| | | | | | | | | | | | | | | | Efficiency | | | Power Factor | | | |
| | | | | | | | | | | | | | | | 50 | 75 | 100 | 50 | 75 | 100 | |
| HP | kW | Code | II/In | Hot | Cold | | | | | | | | | | | | | | | | |
| 1 | 0.75 | 143T | 1.48 | M | 9.0 | 3.0 | 4.0 | 0.0415 | 40 | 88 | 61.7 | 68.0 | 1.15 | 3495 | 75.5 | 80.0 | 81.5 | 0.65 | 0.76 | 0.82 | 1.41 |
| | | 143T | 2.94 | L | 8.6 | 2.9 | 3.7 | 0.0975 | 18 | 40 | 61.7 | 51.0 | 1.15 | 1760 | 80.0 | 82.5 | 85.5 | 0.57 | 0.70 | 0.77 | 1.43 |
| | | 145T | 4.52 | J | 5.8 | 2.0 | 2.5 | 0.1595 | 30 | 66 | 52.9 | 49.0 | 1.15 | 1145 | 78.5 | 81.5 | 82.5 | 0.54 | 0.66 | 0.74 | 1.54 |
| | | 182T | 5.92 | M | 6.0 | 3.0 | 3.5 | 0.3991 | 22 | 48 | 112 | 50.0 | 1.15 | 875 | 74.0 | 77.0 | 78.5 | 0.32 | 0.42 | 0.52 | 2.30 |
| 1.5 | 1.1 | 143T | 2.22 | M | 9.2 | 3.0 | 4.0 | 0.0413 | 20 | 44 | 61.7 | 68.0 | 1.15 | 3500 | 78.5 | 82.5 | 84.0 | 0.62 | 0.73 | 0.80 | 2.05 |
| | | 145T | 4.42 | L | 8.9 | 2.7 | 3.5 | 0.1303 | 14 | 31 | 70.6 | 51.0 | 1.15 | 1760 | 81.5 | 85.5 | 86.5 | 0.58 | 0.70 | 0.78 | 2.05 |
| | | 182T | 6.67 | K | 7.2 | 2.6 | 3.3 | 0.4212 | 35 | 77 | 118 | 52.0 | 1.15 | 1165 | 84.5 | 86.5 | 87.5 | 0.47 | 0.59 | 0.68 | 2.32 |
| | | 184T | 9.04 | J | 5.5 | 2.4 | 2.6 | 0.5223 | 17 | 37 | 128 | 50.0 | 1.15 | 860 | 80.0 | 81.5 | 82.5 | 0.42 | 0.54 | 0.62 | 2.70 |
| 2 | 1.5 | 145T | 2.96 | M | 9.4 | 3.5 | 4.0 | 0.0551 | 15 | 33 | 66.1 | 68.0 | 1.15 | 3495 | 80.0 | 84.0 | 85.5 | 0.64 | 0.76 | 0.82 | 2.69 |
| | | 145T | 5.92 | K | 7.9 | 2.5 | 3.2 | 0.1595 | 11 | 24 | 72.8 | 51.0 | 1.15 | 1750 | 84.0 | 85.5 | 86.5 | 0.60 | 0.73 | 0.80 | 2.72 |
| | | 184T | 8.89 | K | 7.0 | 2.6 | 3.3 | 0.5323 | 35 | 77 | 129 | 52.0 | 1.15 | 1165 | 84.5 | 86.5 | 88.5 | 0.47 | 0.58 | 0.68 | 3.13 |
| | | 213T | 11.9 | M | 7.6 | 2.7 | 3.0 | 1.31 | 35 | 77 | 165 | 52.0 | 1.15 | 870 | 80.0 | 82.5 | 84.0 | 0.45 | 0.57 | 0.65 | 3.45 |
| 3 | 2.2 | 182T | 4.43 | K | 8.4 | 2.5 | 4.0 | 0.1471 | 30 | 66 | 90.4 | 69.0 | 1.15 | 3510 | 82.5 | 85.5 | 86.5 | 0.73 | 0.81 | 0.85 | 3.76 |
| | | 182T | 8.83 | K | 8.0 | 2.5 | 3.2 | 0.2781 | 28 | 62 | 115 | 56.0 | 1.15 | 1760 | 87.5 | 88.5 | 89.5 | 0.59 | 0.71 | 0.79 | 3.91 |
| | | 213T | 13.2 | K | 7.0 | 2.2 | 2.5 | 1.20 | 58 | 128 | 165 | 55.0 | 1.15 | 1175 | 86.5 | 88.5 | 89.5 | 0.50 | 0.62 | 0.70 | 4.41 |
| | | 215T | 18.0 | K | 7.1 | 2.1 | 2.6 | 1.79 | 32 | 70 | 201 | 52.0 | 1.15 | 865 | 84.0 | 85.5 | 85.5 | 0.54 | 0.66 | 0.74 | 4.36 |
| 5 | 3.7 | 184T | 7.42 | J | 7.5 | 2.5 | 3.8 | 0.1889 | 26 | 57 | 106 | 69.0 | 1.15 | 3490 | 85.5 | 87.5 | 88.5 | 0.70 | 0.81 | 0.86 | 6.10 |
| | | 184T | 14.8 | K | 8.2 | 2.7 | 3.3 | 0.3695 | 17 | 37 | 130 | 56.0 | 1.15 | 1755 | 86.5 | 88.5 | 89.5 | 0.59 | 0.71 | 0.79 | 6.57 |
| | | 215T | 22.1 | J | 6.8 | 1.7 | 2.6 | 1.47 | 57 | 125 | 162 | 55.0 | 1.15 | 1170 | 88.5 | 89.5 | 89.5 | 0.58 | 0.70 | 0.76 | 6.83 |
| | | 254T | 29.4 | H | 5.3 | 2.1 | 2.7 | 3.41 | 21 | 46 | 313 | 54.0 | 1.15 | 880 | 84.0 | 86.5 | 87.5 | 0.46 | 0.58 | 0.67 | 7.93 |
| 7.5 | 5.5 | 213T | 11.1 | H | 7.0 | 2.2 | 3.0 | 0.4696 | 23 | 51 | 190 | 72.0 | 1.15 | 3510 | 85.5 | 88.5 | 89.5 | 0.81 | 0.87 | 0.90 | 8.57 |
| | | 213T | 22.0 | H | 6.7 | 2.4 | 2.8 | 1.38 | 12 | 26 | 152 | 58.0 | 1.15 | 1765 | 88.5 | 90.2 | 91.7 | 0.60 | 0.73 | 0.80 | 9.41 |
| | | 254T | 33.1 | J | 7.0 | 2.7 | 3.2 | 3.32 | 25 | 55 | 309 | 59.0 | 1.15 | 1175 | 88.5 | 90.2 | 91.0 | 0.58 | 0.71 | 0.78 | 9.73 |
| | | 256T | 44.2 | H | 5.3 | 2.1 | 2.8 | 4.15 | 23 | 51 | 353 | 54.0 | 1.15 | 880 | 86.5 | 87.5 | 87.5 | 0.48 | 0.60 | 0.68 | 11.6 |
| 10 | 7.5 | 215T | 14.8 | H | 6.9 | 2.1 | 2.8 | 0.5512 | 150 | 330 | 201 | 72.0 | 1.15 | 3510 | 89.5 | 90.2 | 90.2 | 0.81 | 0.88 | 0.90 | 11.6 |
| | | 215T | 29.4 | J | 7.5 | 2.5 | 3.0 | 1.34 | 15 | 33 | 207 | 58.0 | 1.15 | 1765 | 90.2 | 91.0 | 91.7 | 0.62 | 0.75 | 0.81 | 12.7 |
| | | 256T | 44.1 | J | 7.2 | 2.7 | 3.1 | 4.15 | 26 | 57 | 364 | 59.0 | 1.15 | 1175 | 89.5 | 90.2 | 91.0 | 0.60 | 0.70 | 0.78 | 13.3 |
| | | 284T | 58.9 | H | 6.0 | 2.5 | 2.4 | 7.20 | 30 | 66 | 467 | 54.0 | 1.15 | 880 | 91.0 | 91.7 | 91.0 | 0.62 | 0.73 | 0.78 | 13.3 |
| 15 | 11 | 254T | 22.0 | G | 6.8 | 2.0 | 2.7 | 1.19 | 31 | 68 | 318 | 75.0 | 1.15 | 3540 | 90.0 | 90.5 | 91.0 | 0.74 | 0.83 | 0.87 | 17.4 |
| | | 254T | 43.9 | J | 7.3 | 3.0 | 3.0 | 2.31 | 26 | 57 | 329 | 69.0 | 1.15 | 1770 | 90.2 | 91.7 | 92.4 | 0.65 | 0.75 | 0.81 | 18.4 |
| | | 284T | 65.9 | H | 7.2 | 2.5 | 2.6 | 7.07 | 25 | 55 | 463 | 59.0 | 1.15 | 1180 | 91.0 | 91.7 | 91.7 | 0.74 | 0.83 | 0.86 | 17.5 |
| | | 286T | 88.3 | G | 6.1 | 2.4 | 2.3 | 8.18 | 37 | 81 | 507 | 54.0 | 1.15 | 880 | 91.0 | 91.7 | 91.0 | 0.66 | 0.76 | 0.80 | 19.0 |
| 20 | 15 | 256T | 29.4 | G | 6.2 | 2.0 | 2.5 | 1.45 | 26 | 57 | 357 | 75.0 | 1.15 | 3530 | 90.2 | 91.0 | 91.0 | 0.79 | 0.86 | 0.89 | 23.2 |
| | | 256T | 58.5 | J | 7.5 | 3.0 | 3.0 | 2.89 | 20 | 44 | 364 | 69.0 | 1.15 | 1770 | 91.7 | 92.4 | 93.0 | 0.63 | 0.75 | 0.81 | 25.0 |
| | | 286T | 87.8 | H | 7.2 | 2.5 | 2.7 | 8.02 | 22 | 48 | 501 | 59.0 | 1.15 | 1180 | 91.7 | 91.7 | 91.7 | 0.70 | 0.80 | 0.85 | 24.2 |
| | | 324T | 118 | G | 5.3 | 2.3 | 2.3 | 9.37 | 25 | 55 | 606 | 56.0 | 1.15 | 880 | 91.7 | 92.4 | 92.4 | 0.56 | 0.67 | 0.74 | 27.5 |
| 25 | 18.5 | 284TS | 36.4 | K | 9.0 | 2.2 | 2.8 | 2.58 | 58 | 128 | 452 | 75.0 | 1.15 | 3555 | 91.7 | 92.4 | 92.4 | 0.78 | 0.85 | 0.88 | 28.6 |
| | | 284T | 73.0 | J | 8.2 | 3.0 | 3.0 | 4.54 | 20 | 44 | 472 | 68.0 | 1.15 | 1775 | 92.4 | 93.6 | 93.6 | 0.67 | 0.78 | 0.83 | 29.9 |
| | | 324T | 110 | G | 6.4 | 2.3 | 2.6 | 10.8 | 25 | 55 | 639 | 62.0 | 1.15 | 1180 | 92.4 | 93.0 | 93.0 | 0.65 | 0.76 | 0.82 | 30.4 |
| | | 326T | 147 | G | 5.1 | 2.4 | 2.4 | 11.9 | 20 | 44 | 673 | 56.0 | 1.15 | 880 | 91.0 | 92.4 | 92.4 | 0.51 | 0.63 | 0.71 | 35.4 |

continued on next page

Explosion Proof - Three Phase - *continued*

| Output | | Frame | Full Load Torque (ft.lb) | Locked Rotor Current | | Locked Rotor Torque Tl/Tn | Break-down Torque Tb/Tn | Inertia J (lb-ft ²) | Allowable locked rotor time (s) | | Weight (lb) | Sound dB(A) | Service Factor | 460 V | | | | | | | Full load current In (A) | |
|--------|-----|---------|--------------------------|----------------------|-------|---------------------------|-------------------------|---------------------------------|---------------------------------|------|-------------|-------------|----------------|-------------------|----------------|------|------|------------|--------------|------|--------------------------|-----|
| | | | | Code | II/In | | | | Hot | Cold | | | | Rated speed (rpm) | % of full load | | | Efficiency | Power Factor | | | |
| | | | | | | | | | | | | | | | 50 | 75 | 100 | | 50 | 75 | | 100 |
| | | | | HP | kW | | | | | | | | | | | | | | | | | |
| 30 | 22 | 286TS | 43.8 | H | 7.7 | 2.6 | 3.0 | 3.08 | 14 | 31 | 529 | 75.0 | 1.15 | 3545 | 92.4 | 93.0 | 93.0 | 0.78 | 0.86 | 0.88 | 33.7 | |
| | | 286T | 87.8 | J | 8.2 | 3.0 | 3.0 | 5.16 | 17 | 37 | 512 | 68.0 | 1.15 | 1770 | 93.0 | 93.6 | 93.6 | 0.66 | 0.77 | 0.82 | 36.0 | |
| | | 326T | 132 | H | 7.1 | 2.4 | 2.7 | 12.5 | 25 | 55 | 695 | 62.0 | 1.15 | 1180 | 92.4 | 93.0 | 93.0 | 0.63 | 0.75 | 0.81 | 36.7 | |
| | | 364/5T | 176 | G | 5.7 | 2.2 | 2.2 | 23.5 | 14 | 31 | 911 | 62.0 | 1.15 | 885 | 92.4 | 93.0 | 93.0 | 0.64 | 0.73 | 0.77 | 38.5 | |
| 40 | 30 | 324TS | 58.3 | G | 6.6 | 2.7 | 2.7 | 4.90 | 43 | 95 | 516 | 81.0 | 1.15 | 3555 | 92.4 | 93.6 | 93.6 | 0.80 | 0.86 | 0.88 | 45.8 | |
| | | 324T | 116 | J | 7.7 | 2.7 | 3.0 | 8.17 | 19 | 42 | 650 | 71.0 | 1.15 | 1780 | 93.0 | 94.1 | 94.1 | 0.66 | 0.77 | 0.83 | 48.2 | |
| | | 364/5T | 175 | H | 7.0 | 2.3 | 2.3 | 29.0 | 24 | 53 | 1010 | 65.0 | 1.15 | 1185 | 93.6 | 94.1 | 94.1 | 0.72 | 0.80 | 0.85 | 47.1 | |
| | | 364/5T | 234 | F | 5.2 | 2.2 | 2.2 | 29.0 | 25 | 55 | 1058 | 62.0 | 1.15 | 885 | 93.0 | 93.6 | 93.6 | 0.64 | 0.73 | 0.77 | 52.2 | |
| 50 | 37 | 326TS | 73.0 | H | 7.2 | 2.1 | 2.1 | 5.42 | 33 | 73 | 728 | 81.0 | 1.15 | 3550 | 92.4 | 93.6 | 94.1 | 0.82 | 0.88 | 0.89 | 55.5 | |
| | | 326T | 146 | H | 7.3 | 2.6 | 2.8 | 9.16 | 20 | 44 | 706 | 71.0 | 1.15 | 1780 | 93.6 | 94.5 | 94.5 | 0.65 | 0.76 | 0.81 | 60.6 | |
| | | 364/5T | 219 | H | 7.4 | 2.6 | 2.8 | 29.4 | 20 | 44 | 1036 | 65.0 | 1.15 | 1185 | 93.6 | 94.1 | 94.1 | 0.71 | 0.81 | 0.85 | 58.1 | |
| | | 404/5T | 293 | J | 7.3 | 2.2 | 2.1 | 34.6 | 12 | 26 | 1257 | 62.0 | 1.15 | 885 | 92.4 | 93.0 | 93.6 | 0.67 | 0.73 | 0.73 | 68.0 | |
| 60 | 45 | 364/5TS | 87.3 | G | 6.4 | 2.0 | 2.5 | 9.96 | 60 | 132 | 1017 | 85.0 | 1.15 | 3560 | 92.4 | 93.6 | 94.1 | 0.79 | 0.86 | 0.88 | 68.2 | |
| | | 364/5T | 175 | H | 7.0 | 2.5 | 2.5 | 20.8 | 20 | 44 | 1014 | 75.0 | 1.15 | 1780 | 94.1 | 94.5 | 95.0 | 0.72 | 0.82 | 0.87 | 68.3 | |
| | | 404/5T | 262 | H | 6.9 | 2.5 | 2.7 | 36.9 | 29 | 64 | 1213 | 65.0 | 1.15 | 1185 | 93.6 | 94.5 | 94.5 | 0.73 | 0.82 | 0.85 | 70.3 | |
| | | 404/5T | 351 | G | 6.2 | 1.8 | 2.2 | 38.3 | 25 | 55 | 1279 | 62.0 | 1.15 | 885 | 92.4 | 93.0 | 93.0 | 0.65 | 0.75 | 0.80 | 75.9 | |
| 75 | 55 | 364/5TS | 109 | G | 7.0 | 2.3 | 2.6 | 9.96 | 18 | 40 | 1025 | 85.0 | 1.15 | 3560 | 93.0 | 94.1 | 94.1 | 0.81 | 0.87 | 0.89 | 82.4 | |
| | | 364/5T | 218 | G | 7.0 | 2.4 | 2.9 | 23.3 | 16 | 35 | 937 | 75.0 | 1.15 | 1780 | 94.5 | 95.0 | 95.4 | 0.74 | 0.83 | 0.87 | 83.2 | |
| | | 404/5T | 329 | J | 7.7 | 2.5 | 2.6 | 40.2 | 15 | 33 | 1257 | 65.0 | 1.15 | 1180 | 94.1 | 95.0 | 94.5 | 0.72 | 0.81 | 0.84 | 87.0 | |
| | | 444/5T | 437 | G | 6.1 | 1.7 | 2.1 | 73.6 | 18 | 40 | 1912 | 64.0 | 1.15 | 890 | 93.6 | 94.1 | 93.6 | 0.66 | 0.76 | 0.80 | 92.2 | |
| 100 | 75 | 404/5TS | 146 | G | 6.5 | 2.0 | 2.6 | 13.2 | 21 | 46 | 1206 | 85.0 | 1.15 | 3550 | 93.6 | 95.0 | 95.0 | 0.85 | 0.89 | 0.90 | 110 | |
| | | 404/5T | 291 | H | 7.2 | 2.7 | 3.0 | 26.4 | 13 | 29 | 1222 | 75.0 | 1.15 | 1780 | 94.5 | 95.0 | 95.4 | 0.72 | 0.82 | 0.87 | 113 | |
| | | 444/5T | 435 | H | 6.8 | 2.3 | 2.6 | 87.3 | 49 | 108 | 1896 | 70.0 | 1.15 | 1190 | 94.1 | 95.0 | 95.0 | 0.66 | 0.76 | 0.82 | 121 | |
| | | 444/5T | 582 | G | 6.1 | 1.7 | 2.0 | 87.3 | 16 | 35 | 2053 | 64.0 | 1.15 | 890 | 94.1 | 94.5 | 94.1 | 0.68 | 0.77 | 0.80 | 125 | |
| 125 | 90 | 444/5TS | 181 | F | 6.6 | 2.0 | 2.5 | 31.2 | 22 | 48 | 1940 | 86.0 | 1.15 | 3570 | 93.0 | 94.5 | 95.0 | 0.83 | 0.89 | 0.90 | 132 | |
| | | 444/5T | 363 | G | 6.4 | 2.0 | 2.2 | 57.2 | 18 | 40 | 2026 | 76.0 | 1.15 | 1785 | 95.0 | 95.4 | 95.4 | 0.76 | 0.83 | 0.86 | 142 | |
| | | 444/5T | 547 | H | 7.4 | 2.3 | 2.4 | 104 | 41 | 90 | 2293 | 70.0 | 1.15 | 1185 | 94.5 | 95.0 | 95.0 | 0.67 | 0.76 | 0.82 | 150 | |
| | | 447T | 728 | G | 6.1 | 1.7 | 2.0 | 104 | 18 | 40 | 2337 | 66.0 | 1.15 | 890 | 94.5 | 95.0 | 94.5 | 0.66 | 0.76 | 0.80 | 154 | |
| | | 504/5T | 728 | G | 6.1 | 1.7 | 2.0 | 104 | 18 | 40 | 2337 | 66.0 | 1.15 | 890 | 94.5 | 95.0 | 94.5 | 0.66 | 0.76 | 0.80 | 154 | |
| 150 | 110 | 444/5TS | 218 | G | 7.0 | 2.0 | 2.5 | 39.1 | 31 | 68 | 1985 | 86.0 | 1.15 | 3570 | 93.6 | 95.0 | 95.4 | 0.85 | 0.89 | 0.90 | 161 | |
| | | 444/5T | 437 | G | 6.3 | 2.2 | 2.5 | 66.7 | 22 | 48 | 2095 | 76.0 | 1.15 | 1780 | 95.0 | 95.8 | 95.8 | 0.72 | 0.81 | 0.85 | 170 | |
| | | 447T | 656 | H | 7.5 | 2.6 | 2.6 | 134 | 42 | 92 | 2540 | 73.0 | 1.15 | 1185 | 95.0 | 95.8 | 95.8 | 0.68 | 0.78 | 0.83 | 174 | |
| | | 504/5T | 656 | H | 7.5 | 2.6 | 2.6 | 134 | 42 | 92 | 2540 | 73.0 | 1.15 | 1185 | 95.0 | 95.8 | 95.8 | 0.68 | 0.78 | 0.83 | 174 | |
| | | 447T | 873 | G | 6.0 | 1.7 | 2.0 | 125 | 18 | 40 | 2646 | 66.0 | 1.15 | 890 | 94.5 | 95.0 | 94.5 | 0.68 | 0.77 | 0.82 | 179 | |
| | | 504/5T | 873 | G | 6.0 | 1.7 | 2.0 | 125 | 18 | 40 | 2646 | 66.0 | 1.15 | 890 | 94.5 | 95.0 | 94.5 | 0.68 | 0.77 | 0.82 | 179 | |

continued on next page

Explosion Proof - Three Phase - *continued*

| Output | | Frame | Full Load Torque (ft.lb) | Locked Rotor Current | | Locked Rotor Torque Tl/Tn | Break-down Torque Tb/Tn | Inertia J (lb-ft ²) | Allowable locked rotor time (s) | | Weight (lb) | Sound dB(A) | Service Factor | 460 V | | | | | | | | |
|--------|-----|---------|--------------------------|----------------------|-------|---------------------------|-------------------------|---------------------------------|---------------------------------|------|-------------|-------------|----------------|-------------------|----------------|------|------|--------------|------|------|--------------------------|--|
| | | | | | | | | | | | | | | Rated speed (rpm) | % of full load | | | | | | Full load current In (A) | |
| | | | | | | | | | | | | | | | Efficiency | | | Power Factor | | | | |
| HP | kW | | | Code | II/In | | | | Hot | Cold | | | | | 50 | 75 | 100 | 50 | 75 | 100 | | |
| 200 | 150 | 447TS | 290 | H | 7.3 | 2.2 | 2.6 | 44.7 | 37 | 81 | 2492 | 87.0 | 1.15 | 3570 | 94.1 | 95.4 | 95.8 | 0.84 | 0.88 | 0.89 | 221 | |
| | | 504/5TS | 290 | H | 7.3 | 2.2 | 2.6 | 44.7 | 37 | 81 | 2492 | 88.0 | 1.15 | 3570 | 94.1 | 95.4 | 95.8 | 0.84 | 0.88 | 0.89 | 221 | |
| | | 447T | 582 | H | 7.0 | 2.3 | 2.4 | 76.2 | 25 | 55 | 2426 | 82.0 | 1.15 | 1780 | 95.8 | 96.2 | 96.2 | 0.70 | 0.80 | 0.85 | 230 | |
| | | 504/5T | 582 | H | 7.0 | 2.3 | 2.4 | 76.2 | 25 | 55 | 2426 | 82.0 | 1.15 | 1780 | 95.8 | 96.2 | 96.2 | 0.70 | 0.80 | 0.85 | 230 | |
| | | 447T | 871 | J | 7.8 | 2.7 | 2.8 | 134 | 14 | 31 | 2615 | 73.0 | 1.15 | 1190 | 94.5 | 95.4 | 95.8 | 0.60 | 0.73 | 0.79 | 249 | |
| | | 504/5T | 871 | J | 7.8 | 2.7 | 2.8 | 134 | 14 | 31 | 2615 | 73.0 | 1.15 | 1190 | 94.5 | 95.4 | 95.8 | 0.60 | 0.73 | 0.79 | 249 | |
| | | 449T | 1164 | K | 7.5 | 2.8 | 3.0 | 161 | 13 | 29 | 3581 | 66.0 | 1.15 | 890 | 92.4 | 94.5 | 95.0 | 0.52 | 0.63 | 0.70 | 283 | |
| | | 586/7T | 1164 | G | 5.7 | 1.2 | 2.1 | 350 | 65 | 143 | 4167 | 75.0 | 1.15 | 890 | 94.1 | 94.5 | 95.0 | 0.60 | 0.71 | 0.76 | 261 | |
| 250 | 185 | 447TS | 363 | H | 8.0 | 2.4 | 2.8 | 50.3 | 18 | 40 | 2492 | 87.0 | 1.15 | 3570 | 95.0 | 95.4 | 95.8 | 0.83 | 0.89 | 0.90 | 269 | |
| | | 504/5TS | 363 | H | 8.0 | 2.4 | 2.8 | 50.3 | 18 | 40 | 2492 | 88.0 | 1.15 | 3570 | 95.0 | 95.4 | 95.8 | 0.83 | 0.89 | 0.90 | 269 | |
| | | 447T | 728 | H | 7.0 | 2.1 | 2.3 | 89.6 | 30 | 66 | 2646 | 82.0 | 1.15 | 1780 | 95.4 | 96.2 | 96.2 | 0.72 | 0.81 | 0.85 | 284 | |
| | | 504/5T | 728 | H | 7.0 | 2.1 | 2.3 | 89.6 | 30 | 66 | 2646 | 77.0 | 1.15 | 1780 | 95.4 | 96.2 | 96.2 | 0.72 | 0.81 | 0.85 | 284 | |
| | | 586/7T | 1088 | G | 6.0 | 1.8 | 2.1 | 226 | 33 | 73 | 3859 | 77.0 | 1.15 | 1190 | 93.6 | 95.4 | 95.8 | 0.67 | 0.75 | 0.80 | 303 | |
| | | 449T | 1088 | J | 8.1 | 2.8 | 3.0 | 145 | 10 | 22 | 3188 | 70.0 | 1.15 | 1190 | 95.0 | 95.4 | 95.8 | 0.64 | 0.76 | 0.81 | 299 | |
| | | 586/7T | 1455 | G | 5.8 | 1.0 | 2.1 | 395 | 26 | 57 | 4410 | 75.0 | 1.15 | 890 | 94.1 | 94.5 | 95.4 | 0.60 | 0.71 | 0.77 | 316 | |
| 300 | 220 | 586/7TS | 434 | G | 6.6 | 1.3 | 2.2 | 123 | 34 | 75 | 4410 | 85.0 | 1.15 | 3580 | 94.5 | 95.4 | 95.8 | 0.86 | 0.87 | 0.88 | 328 | |
| | | 449TS | 435 | J | 8.4 | 2.8 | 3.4 | 58.1 | 15 | 33 | 3308 | 84.0 | 1.15 | 3575 | 94.5 | 95.4 | 95.8 | 0.82 | 0.88 | 0.90 | 320 | |
| | | 586/7T | 868 | G | 6.8 | 1.8 | 2.1 | 161 | 50 | 110 | 4079 | 83.0 | 1.15 | 1790 | 95.0 | 95.8 | 96.2 | 0.78 | 0.84 | 0.85 | 338 | |
| | | 449T | 871 | H | 8.0 | 2.8 | 2.9 | 89.6 | 14 | 31 | 3087 | 80.0 | 1.15 | 1785 | 95.4 | 95.8 | 96.2 | 0.74 | 0.83 | 0.86 | 334 | |
| | | 586/7T | 1306 | G | 6.1 | 1.8 | 2.1 | 277 | 35 | 77 | 4190 | 77.0 | 1.15 | 1190 | 93.6 | 95.4 | 95.8 | 0.68 | 0.75 | 0.82 | 351 | |
| | | 449T | 1306 | J | 7.9 | 2.8 | 3.0 | 145 | 7 | 15 | 3197 | 70.0 | 1.15 | 1190 | 95.0 | 95.4 | 95.8 | 0.66 | 0.77 | 0.82 | 351 | |
| | | 586/7T | 1737 | G | 6.2 | 1.4 | 2.1 | 462 | 24 | 53 | 4818 | 75.0 | 1.15 | 895 | 95.0 | 95.0 | 95.4 | 0.60 | 0.72 | 0.77 | 376 | |
| 350 | 260 | 586/7TS | 507 | G | 6.6 | 1.3 | 2.2 | 136 | 35 | 77 | 4410 | 85.0 | 1.15 | 3580 | 94.5 | 95.4 | 95.8 | 0.86 | 0.87 | 0.88 | 388 | |
| | | 449TS | 507 | J | 8.7 | 2.8 | 3.4 | 68.1 | 14 | 31 | 3638 | 84.0 | 1.15 | 3575 | 95.0 | 95.8 | 95.8 | 0.82 | 0.88 | 0.90 | 379 | |
| | | 586/7T | 1013 | H | 7.3 | 2.3 | 2.3 | 179 | 32 | 70 | 4234 | 83.0 | 1.15 | 1790 | 95.0 | 95.8 | 96.2 | 0.77 | 0.84 | 0.86 | 395 | |
| | | 449T | 1016 | J | 8.2 | 2.8 | 2.9 | 118 | 14 | 31 | 3418 | 80.0 | 1.15 | 1785 | 95.4 | 95.8 | 96.2 | 0.70 | 0.80 | 0.84 | 404 | |
| | | 586/7T | 1524 | G | 6.3 | 2.1 | 2.1 | 328 | 29 | 64 | 4520 | 77.0 | 1.15 | 1190 | 95.4 | 95.8 | 95.8 | 0.67 | 0.77 | 0.81 | 421 | |
| | | 586/7T* | 2037 | G | 5.9 | 1.1 | 2.0 | 484 | 25 | 55 | 4895 | 75.0 | 1.00 | 890 | 94.1 | 94.5 | 95.4 | 0.60 | 0.64 | 0.78 | 439 | |
| 400 | 300 | 586/7T | 1158 | G | 6.4 | 1.8 | 2.0 | 179 | 18 | 40 | 4366 | 83.0 | 1.15 | 1790 | 95.4 | 96.2 | 96.2 | 0.80 | 0.84 | 0.85 | 460 | |
| | | 586/7T | 1741 | G | 6.0 | 2.0 | 2.0 | 368 | 71 | 156 | 4983 | 77.0 | 1.15 | 1190 | 93.6 | 95.0 | 95.8 | 0.70 | 0.78 | 0.82 | 479 | |
| 450 | 330 | 586/7T* | 1302 | G | 6.5 | 1.8 | 2.0 | 213 | 24 | 53 | 4586 | 83.0 | 1.15 | 1790 | 95.8 | 96.2 | 96.2 | 0.81 | 0.85 | 0.86 | 501 | |
| | | 586/7T* | 1959 | G | 6.0 | 1.5 | 2.1 | 368 | 34 | 75 | 5005 | 77.0 | 1.00 | 1190 | 93.6 | 95.0 | 95.8 | 0.69 | 0.77 | 0.80 | 540 | |
| 500 | 370 | 586/7T | 1447 | G | 6.3 | 2.1 | 2.3 | 256 | 25 | 55 | 4829 | 83.0 | 1.00 | 1790 | 95.8 | 96.2 | 96.2 | 0.81 | 0.84 | 0.85 | 568 | |

Fractional - Three Phase - TEFC - NEMA Premium®

| Output | | Frame | Full Load Torque (ft.lb) | Locked Rotor Current | | Locked Rotor Torque Tl/Tn | Break-down Torque T _b /T _n | Inertia J (lb-ft ²) | Allowable locked rotor time (s) | | Weight (lb) | Sound dB(A) | Service Factor | 460 V | | | | | | | | |
|--------|------|-------|--------------------------|----------------------|-------|---------------------------|--|---------------------------------|---------------------------------|------|-------------|-------------|----------------|-------------------|----------------|------|------|--------------|------|------|--------------------------|--|
| | | | | Code | ll/ln | | | | Hot | Cold | | | | Rated speed (rpm) | % of full load | | | | | | Full load current In (A) | |
| | | | | | | | | | | | | | | | Efficiency | | | Power Factor | | | | |
| | | | | | | | | | | | | | | | 50 | 75 | 100 | 50 | 75 | 100 | | |
| 0.25 | 0.18 | W56 | 0.370 | M | 7.4 | 3.5 | 4.0 | 0.0147 | 30 | 66 | 15.0 | 65.0 | 1.15 | 3460 | 55.0 | 62.0 | 66.0 | 0.60 | 0.70 | 0.75 | 0.456 | |
| | | 48 | 0.370 | M | 7.4 | 3.5 | 4.0 | 0.0147 | 30 | 66 | 15.0 | 65.0 | 1.15 | 3460 | 55.0 | 62.0 | 66.0 | 0.60 | 0.70 | 0.75 | 0.456 | |
| | | W56 | 0.740 | K | 5.6 | 2.4 | 3.2 | 0.0280 | 28 | 62 | 14.6 | 50.0 | 1.15 | 1740 | 59.5 | 66.0 | 70.0 | 0.48 | 0.60 | 0.69 | 0.468 | |
| | | 48 | 0.740 | K | 5.6 | 2.4 | 3.2 | 0.0280 | 28 | 62 | 14.6 | 50.0 | 1.15 | 1740 | 59.5 | 66.0 | 70.0 | 0.48 | 0.60 | 0.69 | 0.468 | |
| | | 56 | 1.12 | J | 4.7 | 1.9 | 3.0 | 0.0710 | 40 | 88 | 25.6 | 50.0 | 1.15 | 1160 | 62.0 | 68.0 | 72.0 | 0.42 | 0.53 | 0.62 | 0.506 | |
| 0.33 | 0.25 | W56 | 0.500 | L | 7.1 | 3.2 | 3.7 | 0.0147 | 28 | 62 | 15.0 | 65.0 | 1.15 | 3450 | 59.5 | 66.0 | 72.0 | 0.61 | 0.71 | 0.76 | 0.573 | |
| | | 48 | 0.500 | L | 7.1 | 3.2 | 3.7 | 0.0147 | 28 | 62 | 15.0 | 65.0 | 1.15 | 3450 | 59.5 | 66.0 | 72.0 | 0.61 | 0.71 | 0.76 | 0.573 | |
| | | W56 | 0.980 | L | 6.2 | 2.6 | 3.5 | 0.0358 | 22 | 48 | 16.5 | 50.0 | 1.15 | 1740 | 66.0 | 72.0 | 74.0 | 0.46 | 0.58 | 0.68 | 0.624 | |
| | | 48 | 0.980 | L | 6.2 | 2.6 | 3.5 | 0.0358 | 22 | 48 | 16.5 | 50.0 | 1.15 | 1740 | 66.0 | 72.0 | 74.0 | 0.46 | 0.58 | 0.68 | 0.624 | |
| | | 56 | 1.47 | L | 5.3 | 2.2 | 3.3 | 0.0888 | 30 | 66 | 28.2 | 50.0 | 1.15 | 1160 | 64.0 | 70.0 | 72.0 | 0.41 | 0.52 | 0.61 | 0.714 | |
| 0.5 | 0.37 | W56 | 0.750 | L | 7.7 | 3.3 | 3.6 | 0.0190 | 18 | 40 | 17.4 | 65.0 | 1.15 | 3435 | 68.0 | 72.0 | 74.0 | 0.64 | 0.75 | 0.80 | 0.784 | |
| | | 48 | 0.750 | L | 7.7 | 3.3 | 3.6 | 0.0190 | 18 | 40 | 17.4 | 65.0 | 1.15 | 3435 | 68.0 | 72.0 | 74.0 | 0.64 | 0.75 | 0.80 | 0.784 | |
| | | W56 | 1.50 | J | 6.4 | 2.3 | 3.1 | 0.0520 | 20 | 44 | 20.9 | 50.0 | 1.15 | 1730 | 74.0 | 77.0 | 78.5 | 0.54 | 0.67 | 0.76 | 0.778 | |
| | | 48 | 1.50 | J | 6.4 | 2.3 | 3.1 | 0.0520 | 20 | 44 | 20.9 | 50.0 | 1.15 | 1730 | 74.0 | 77.0 | 78.5 | 0.54 | 0.67 | 0.76 | 0.778 | |
| | | 56 | 2.23 | K | 5.6 | 2.4 | 3.3 | 0.1065 | 26 | 57 | 30.9 | 50.0 | 1.15 | 1160 | 68.0 | 74.0 | 75.5 | 0.41 | 0.53 | 0.63 | 0.976 | |
| 0.75 | 0.55 | W56 | 1.13 | L | 8.1 | 3.5 | 3.6 | 0.0211 | 16 | 35 | 18.3 | 65.0 | 1.15 | 3440 | 70.0 | 75.5 | 77.0 | 0.62 | 0.74 | 0.80 | 1.12 | |
| | | 48 | 1.13 | L | 8.1 | 3.5 | 3.6 | 0.0211 | 16 | 35 | 18.3 | 65.0 | 1.15 | 3440 | 70.0 | 75.5 | 77.0 | 0.62 | 0.74 | 0.80 | 1.12 | |
| | | 56 | 2.21 | L | 7.7 | 2.4 | 3.6 | 0.0842 | 16 | 35 | 30.2 | 52.0 | 1.15 | 1760 | 75.5 | 80.0 | 81.5 | 0.49 | 0.62 | 0.71 | 1.19 | |
| | | 56H | 3.35 | K | 6.5 | 2.9 | 3.7 | 0.1419 | 40 | 88 | 36.2 | 50.0 | 1.15 | 1160 | 77.0 | 81.5 | 82.5 | 0.43 | 0.55 | 0.65 | 1.29 | |
| 1 | 0.75 | 56 | 1.48 | K | 7.8 | 2.0 | 3.0 | 0.0643 | 22 | 48 | 26.2 | 68.0 | 1.15 | 3510 | 72.0 | 77.0 | 78.5 | 0.65 | 0.76 | 0.83 | 1.44 | |
| | | W56 | 1.51 | M | 8.8 | 3.6 | 3.8 | 0.0254 | 10 | 22 | 20.5 | 65.0 | 1.15 | 3435 | 74.0 | 77.0 | 78.5 | 0.63 | 0.75 | 0.80 | 1.50 | |
| | | 48 | 1.51 | M | 8.8 | 3.6 | 3.8 | 0.0254 | 10 | 22 | 20.5 | 65.0 | 1.15 | 3435 | 74.0 | 77.0 | 78.5 | 0.63 | 0.75 | 0.80 | 1.50 | |
| | | 56 | 2.94 | M | 8.6 | 2.8 | 3.0 | 0.1232 | 19 | 42 | 37.9 | 52.0 | 1.15 | 1765 | 82.5 | 84.0 | 85.5 | 0.52 | 0.66 | 0.75 | 1.47 | |
| | | 56H | 4.52 | J | 5.8 | 2.3 | 2.8 | 0.1597 | 31 | 68 | 38.6 | 50.0 | 1.15 | 1145 | 80.0 | 82.5 | 82.5 | 0.50 | 0.63 | 0.72 | 1.58 | |
| 1.5 | 1.1 | 56 | 2.21 | L | 9.1 | 2.3 | 3.0 | 0.1023 | 17 | 37 | 34.2 | 68.0 | 1.15 | 3520 | 80.0 | 82.5 | 84.0 | 0.71 | 0.82 | 0.88 | 1.87 | |
| | | 56H | 4.44 | K | 8.2 | 2.7 | 3.0 | 0.1101 | 21 | 46 | 37.9 | 52.0 | 1.15 | 1750 | 85.5 | 86.5 | 86.5 | 0.59 | 0.72 | 0.79 | 2.02 | |
| 2 | 1.5 | 56H | 2.94 | L | 9.9 | 2.5 | 3.0 | 0.1279 | 13 | 29 | 40.1 | 68.0 | 1.15 | 3520 | 82.5 | 85.5 | 85.5 | 0.73 | 0.83 | 0.89 | 2.47 | |
| | | 56H | 5.94 | K | 8.2 | 2.7 | 3.0 | 0.1296 | 15 | 33 | 42.3 | 52.0 | 1.15 | 1745 | 85.5 | 87.5 | 86.5 | 0.60 | 0.73 | 0.80 | 2.72 | |
| 3 | 2.2 | 56H | 4.44 | K | 9.5 | 3.0 | 3.8 | 0.1663 | 10 | 22 | 48.1 | 68.0 | 1.15 | 3500 | 84.0 | 86.5 | 86.5 | 0.78 | 0.87 | 0.91 | 3.51 | |

Fractional - Three Phase - TEFC - Standard Efficiency

| Output | | Frame | Full Load Torque (ft.lb) | Locked Rotor Current | | Locked Rotor Torque Tl/Tn | Break-down Torque Tl/Tn | Inertia J (lb-ft ²) | Allowable locked rotor time (s) | | Weight (lb) | Sound dB(A) | Service Factor | 460 V | | | | | | | |
|--------|------|-------|--------------------------|----------------------|------|---------------------------|-------------------------|---------------------------------|---------------------------------|------|-------------|-------------|----------------|-------------------|----------------|------|------|--------------------------|--------------|------|-------|
| | | | | Code | I/In | | | | Hot | Cold | | | | Rated speed (rpm) | % of full load | | | Full load current In (A) | | | |
| | | | | | | | | | | | | | | | Efficiency | | | | Power Factor | | |
| HP | kW | | | | | | | | | | | | | 50 | 75 | 100 | 50 | 75 | 100 | | |
| 0.16 | 0.12 | W56 | 0.480 | L | 5.1 | 2.4 | 2.9 | 0.0240 | 43 | 95 | 13.5 | 50.0 | 1.15 | 1735 | 50.5 | 59.5 | 62.0 | 0.48 | 0.58 | 0.67 | 0.363 |
| | | 48 | 0.480 | L | 5.1 | 2.4 | 2.9 | 0.0240 | 43 | 95 | 13.5 | 50.0 | 1.15 | 1735 | 50.5 | 59.5 | 62.0 | 0.48 | 0.58 | 0.67 | 0.363 |
| | | W56 | 0.730 | J | 3.9 | 1.9 | 2.5 | 0.0280 | 43 | 95 | 14.3 | 48.0 | 1.15 | 1135 | 46.0 | 55.0 | 59.5 | 0.45 | 0.56 | 0.65 | 0.389 |
| | | 48 | 0.730 | J | 3.9 | 1.9 | 2.5 | 0.0280 | 43 | 95 | 14.3 | 48.0 | 1.15 | 1135 | 46.0 | 55.0 | 59.5 | 0.45 | 0.56 | 0.65 | 0.389 |
| 0.25 | 0.18 | 56 | 0.370 | L | 6.4 | 2.5 | 3.0 | 0.0389 | 60 | 132 | 17.2 | 68.0 | 1.15 | 3475 | 46.0 | 52.5 | 57.5 | 0.75 | 0.82 | 0.86 | 0.457 |
| | | W56 | 0.380 | L | 6.0 | 2.8 | 3.0 | 0.0126 | 34 | 75 | 13.5 | 65.0 | 1.15 | 3430 | 48.0 | 57.5 | 59.5 | 0.62 | 0.71 | 0.78 | 0.487 |
| | | 48 | 0.380 | L | 6.0 | 2.8 | 3.0 | 0.0126 | 34 | 75 | 13.5 | 65.0 | 1.15 | 3430 | 48.0 | 57.5 | 59.5 | 0.62 | 0.71 | 0.78 | 0.487 |
| | | 56 | 0.730 | M | 6.3 | 2.4 | 3.0 | 0.0453 | 38 | 84 | 18.1 | 52.0 | 1.15 | 1765 | 57.5 | 66.0 | 70.0 | 0.43 | 0.54 | 0.62 | 0.521 |
| | | W56 | 0.750 | K | 5.3 | 2.4 | 2.9 | 0.0280 | 30 | 66 | 14.3 | 50.0 | 1.15 | 1735 | 55.0 | 62.0 | 66.0 | 0.48 | 0.59 | 0.68 | 0.503 |
| | | 48 | 0.750 | K | 5.3 | 2.4 | 2.9 | 0.0280 | 30 | 66 | 14.3 | 50.0 | 1.15 | 1735 | 55.0 | 62.0 | 66.0 | 0.48 | 0.59 | 0.68 | 0.503 |
| | | 56 | 1.12 | K | 5.1 | 2.3 | 3.0 | 0.0710 | 46 | 101 | 19.0 | 50.0 | 1.15 | 1160 | 55.0 | 64.0 | 68.0 | 0.41 | 0.52 | 0.61 | 0.545 |
| | | W56 | 1.14 | J | 4.2 | 2.0 | 2.5 | 0.0358 | 26 | 57 | 16.1 | 48.0 | 1.15 | 1135 | 50.5 | 59.5 | 62.0 | 0.45 | 0.56 | 0.65 | 0.561 |
| 48 | 1.14 | J | 4.2 | 2.0 | 2.5 | 0.0358 | 26 | 57 | 16.1 | 48.0 | 1.15 | 1135 | 50.5 | 59.5 | 62.0 | 0.45 | 0.56 | 0.65 | 0.561 | | |
| 0.33 | 0.25 | 56 | 0.490 | L | 6.4 | 2.5 | 3.0 | 0.0389 | 40 | 88 | 17.2 | 68.0 | 1.15 | 3485 | 48.0 | 57.5 | 62.0 | 0.72 | 0.79 | 0.84 | 0.602 |
| | | W56 | 0.500 | L | 6.1 | 2.9 | 3.0 | 0.0126 | 28 | 62 | 13.5 | 65.0 | 1.15 | 3425 | 52.5 | 59.5 | 62.0 | 0.60 | 0.70 | 0.77 | 0.657 |
| | | 48 | 0.500 | L | 6.1 | 2.9 | 3.0 | 0.0126 | 28 | 62 | 13.5 | 65.0 | 1.15 | 3425 | 52.5 | 59.5 | 62.0 | 0.60 | 0.70 | 0.77 | 0.657 |
| | | 56 | 0.970 | M | 7.1 | 2.3 | 3.0 | 0.0517 | 31 | 68 | 19.4 | 52.0 | 1.15 | 1765 | 64.0 | 72.0 | 74.0 | 0.47 | 0.58 | 0.68 | 0.624 |
| | | W56 | 0.990 | K | 5.4 | 2.3 | 2.7 | 0.0318 | 21 | 46 | 15.2 | 50.0 | 1.15 | 1730 | 57.5 | 64.0 | 68.0 | 0.48 | 0.60 | 0.70 | 0.659 |
| | | 48 | 0.990 | K | 5.4 | 2.3 | 2.7 | 0.0318 | 21 | 46 | 15.2 | 50.0 | 1.15 | 1730 | 57.5 | 64.0 | 68.0 | 0.48 | 0.60 | 0.70 | 0.659 |
| | | 56 | 1.47 | L | 5.5 | 2.4 | 3.0 | 0.0888 | 36 | 79 | 21.8 | 50.0 | 1.15 | 1160 | 59.5 | 68.0 | 70.0 | 0.42 | 0.53 | 0.62 | 0.723 |
| | | W56 | 1.51 | H | 4.1 | 1.8 | 2.3 | 0.0439 | 22 | 48 | 17.9 | 48.0 | 1.15 | 1130 | 55.0 | 62.0 | 64.0 | 0.48 | 0.59 | 0.69 | 0.711 |
| 48 | 1.51 | H | 4.1 | 1.8 | 2.3 | 0.0439 | 22 | 48 | 17.9 | 48.0 | 1.15 | 1130 | 55.0 | 62.0 | 64.0 | 0.48 | 0.59 | 0.69 | 0.711 | | |
| 0.5 | 0.37 | 56 | 0.740 | L | 7.0 | 2.6 | 3.0 | 0.0453 | 35 | 77 | 19.0 | 68.0 | 1.15 | 3500 | 55.0 | 62.0 | 68.0 | 0.67 | 0.75 | 0.81 | 0.843 |
| | | W56 | 0.760 | K | 6.3 | 2.9 | 2.9 | 0.0147 | 20 | 44 | 14.3 | 65.0 | 1.15 | 3400 | 59.5 | 66.0 | 68.0 | 0.61 | 0.73 | 0.80 | 0.854 |
| | | 48 | 0.760 | K | 6.3 | 2.9 | 2.9 | 0.0147 | 20 | 44 | 14.3 | 65.0 | 1.15 | 3400 | 59.5 | 66.0 | 68.0 | 0.61 | 0.73 | 0.80 | 0.854 |
| | | 56 | 1.47 | L | 7.0 | 2.4 | 3.0 | 0.0584 | 20 | 44 | 20.9 | 52.0 | 1.15 | 1760 | 68.0 | 74.0 | 77.0 | 0.48 | 0.61 | 0.70 | 0.862 |
| | | W56 | 1.50 | K | 6.0 | 2.6 | 2.8 | 0.0399 | 16 | 35 | 17.0 | 50.0 | 1.15 | 1730 | 62.0 | 70.0 | 72.0 | 0.49 | 0.62 | 0.72 | 0.896 |
| | | 48 | 1.50 | K | 6.0 | 2.6 | 2.8 | 0.0399 | 16 | 35 | 17.0 | 50.0 | 1.15 | 1730 | 62.0 | 70.0 | 72.0 | 0.49 | 0.62 | 0.72 | 0.896 |
| | | 56 | 2.23 | K | 5.4 | 2.1 | 3.0 | 0.1065 | 22 | 48 | 24.7 | 50.0 | 1.15 | 1160 | 64.0 | 70.0 | 72.0 | 0.44 | 0.56 | 0.65 | 0.992 |
| | | W56 | 2.29 | H | 4.4 | 2.0 | 2.4 | 0.0558 | 17 | 37 | 20.7 | 48.0 | 1.15 | 1130 | 59.5 | 66.0 | 68.0 | 0.47 | 0.59 | 0.69 | 0.990 |
| 48 | 2.29 | H | 4.4 | 2.0 | 2.4 | 0.0558 | 17 | 37 | 20.7 | 48.0 | 1.15 | 1130 | 59.5 | 66.0 | 68.0 | 0.47 | 0.59 | 0.69 | 0.990 | | |
| 0.75 | 0.55 | 56 | 1.12 | K | 7.0 | 2.5 | 2.9 | 0.0517 | 23 | 51 | 20.3 | 68.0 | 1.15 | 3475 | 62.0 | 68.0 | 72.0 | 0.70 | 0.79 | 0.85 | 1.13 |
| | | W56 | 1.14 | K | 6.9 | 3.0 | 3.0 | 0.0169 | 14 | 31 | 15.2 | 65.0 | 1.15 | 3400 | 66.0 | 70.0 | 72.0 | 0.64 | 0.76 | 0.83 | 1.16 |
| | | 48 | 1.14 | K | 6.9 | 3.0 | 3.0 | 0.0169 | 14 | 31 | 15.2 | 65.0 | 1.15 | 3400 | 66.0 | 70.0 | 72.0 | 0.64 | 0.76 | 0.83 | 1.16 |
| | | 56 | 2.21 | K | 6.9 | 2.4 | 3.0 | 0.0648 | 17 | 37 | 22.5 | 52.0 | 1.15 | 1755 | 72.0 | 77.0 | 78.5 | 0.48 | 0.61 | 0.72 | 1.22 |
| | | W56 | 2.25 | K | 6.5 | 2.7 | 2.9 | 0.0479 | 12 | 26 | 18.7 | 50.0 | 1.15 | 1730 | 68.0 | 74.0 | 75.5 | 0.52 | 0.65 | 0.75 | 1.22 |
| | | 48 | 2.25 | K | 6.5 | 2.7 | 2.9 | 0.0479 | 12 | 26 | 18.7 | 50.0 | 1.15 | 1730 | 68.0 | 74.0 | 75.5 | 0.52 | 0.65 | 0.75 | 1.22 |
| | | 56H | 3.36 | K | 5.8 | 2.3 | 3.0 | 0.1331 | 21 | 46 | 29.5 | 50.0 | 1.15 | 1155 | 70.0 | 74.0 | 75.5 | 0.46 | 0.59 | 0.68 | 1.34 |
| | | 56 | 3.36 | K | 5.8 | 2.3 | 3.0 | 0.1331 | 21 | 46 | 29.5 | 50.0 | 1.15 | 1155 | 70.0 | 74.0 | 75.5 | 0.46 | 0.59 | 0.68 | 1.34 |

Fractional - Three Phase - ODP - Premium Efficiency

| Output | | Frame | Full Load Torque (ft.lbf) | Locked Rotor Current | | Locked Rotor Torque Tl/Tn | Break-down Torque T _b /T _n | Inertia J (lb-ft ²) | Allowable locked rotor time (s) | | Weight (lb) | Sound dB(A) | Service Factor | 460 V | | | | | | | Full load current In (A) |
|--------|------|-------|---------------------------|----------------------|-------|---------------------------|--|---------------------------------|---------------------------------|------|-------------|-------------|----------------|-------------------|----------------|------|------|--------------------------|--------------|------|--------------------------|
| | | | | Code | ll/In | | | | Hot | Cold | | | | Rated speed (rpm) | % of full load | | | Full load current In (A) | | | |
| | | | | | | | | | | | | | | | Efficiency | | | | Power Factor | | |
| HP | kW | | | | | | | | | | | | | 50 | 75 | 100 | 50 | 75 | 100 | | |
| 0.25 | 0.18 | W56 | 0.370 | K | 5.8 | 2.5 | 3.0 | 0.0126 | 29 | 64 | 12.6 | 62.0 | 1.35 | 3460 | 55.0 | 64.0 | 66.0 | 0.53 | 0.65 | 0.74 | 0.463 |
| | | 48 | 0.370 | K | 5.8 | 2.5 | 3.0 | 0.0126 | 29 | 64 | 12.6 | 62.0 | 1.35 | 3460 | 55.0 | 64.0 | 66.0 | 0.53 | 0.65 | 0.74 | 0.463 |
| | | 56 | 0.730 | M | 5.9 | 2.3 | 3.3 | 0.0389 | 38 | 84 | 15.7 | 52.0 | 1.35 | 1765 | 57.5 | 64.0 | 69.5 | 0.41 | 0.52 | 0.61 | 0.533 |
| | | W56 | 0.740 | K | 5.7 | 2.5 | 3.4 | 0.0280 | 34 | 75 | 13.7 | 50.0 | 1.35 | 1740 | 59.5 | 68.0 | 70.0 | 0.46 | 0.58 | 0.67 | 0.482 |
| | | 48 | 0.740 | K | 5.7 | 2.5 | 3.4 | 0.0280 | 34 | 75 | 13.7 | 50.0 | 1.35 | 1740 | 59.5 | 68.0 | 70.0 | 0.46 | 0.58 | 0.67 | 0.482 |
| | | 56 | 1.12 | K | 4.8 | 2.1 | 2.8 | 0.0622 | 40 | 88 | 17.0 | 50.0 | 1.35 | 1160 | 55.0 | 64.0 | 67.5 | 0.41 | 0.52 | 0.61 | 0.549 |
| 0.33 | 0.25 | W56 | 0.500 | K | 5.9 | 2.7 | 3.0 | 0.0126 | 25 | 55 | 12.8 | 62.0 | 1.35 | 3450 | 59.5 | 68.0 | 70.0 | 0.53 | 0.66 | 0.75 | 0.598 |
| | | 48 | 0.500 | K | 5.9 | 2.7 | 3.0 | 0.0126 | 25 | 55 | 12.8 | 62.0 | 1.35 | 3450 | 59.5 | 68.0 | 70.0 | 0.53 | 0.66 | 0.75 | 0.598 |
| | | W56 | 0.980 | L | 6.4 | 2.7 | 3.6 | 0.0358 | 26 | 57 | 14.8 | 50.0 | 1.35 | 1740 | 64.0 | 72.0 | 74.0 | 0.47 | 0.59 | 0.69 | 0.615 |
| | | 48 | 0.980 | L | 6.4 | 2.7 | 3.6 | 0.0358 | 26 | 57 | 14.8 | 50.0 | 1.35 | 1740 | 64.0 | 72.0 | 74.0 | 0.47 | 0.59 | 0.69 | 0.615 |
| | | 56 | 1.47 | K | 5.0 | 2.1 | 2.8 | 0.0710 | 35 | 77 | 18.3 | 50.0 | 1.35 | 1160 | 59.5 | 66.0 | 71.4 | 0.42 | 0.53 | 0.63 | 0.698 |
| 0.5 | 0.37 | W56 | 0.750 | K | 6.5 | 3.2 | 3.5 | 0.0126 | 27 | 59 | 13.0 | 62.0 | 1.25 | 3440 | 68.0 | 74.0 | 74.0 | 0.54 | 0.67 | 0.76 | 0.826 |
| | | 48 | 0.750 | K | 6.5 | 3.2 | 3.5 | 0.0126 | 27 | 59 | 13.0 | 62.0 | 1.25 | 3440 | 68.0 | 74.0 | 74.0 | 0.54 | 0.67 | 0.76 | 0.826 |
| | | W56 | 1.49 | K | 6.4 | 2.5 | 3.2 | 0.0439 | 23 | 51 | 17.6 | 50.0 | 1.25 | 1735 | 70.0 | 75.5 | 78.5 | 0.53 | 0.66 | 0.75 | 0.789 |
| | | 48 | 1.49 | K | 6.4 | 2.5 | 3.2 | 0.0439 | 23 | 51 | 17.6 | 50.0 | 1.25 | 1735 | 70.0 | 75.5 | 78.5 | 0.53 | 0.66 | 0.75 | 0.789 |
| | | 56 | 2.24 | J | 5.1 | 2.0 | 2.6 | 0.0888 | 28 | 62 | 21.2 | 50.0 | 1.25 | 1155 | 68.0 | 74.0 | 75.3 | 0.43 | 0.56 | 0.66 | 0.934 |
| 0.75 | 0.55 | W56 | 1.13 | J | 6.9 | 3.0 | 3.3 | 0.0169 | 15 | 33 | 15.0 | 62.0 | 1.25 | 3430 | 72.0 | 75.5 | 77.0 | 0.60 | 0.73 | 0.82 | 1.09 |
| | | 48 | 1.13 | J | 6.9 | 3.0 | 3.3 | 0.0169 | 15 | 33 | 15.0 | 62.0 | 1.25 | 3430 | 72.0 | 75.5 | 77.0 | 0.60 | 0.73 | 0.82 | 1.09 |
| | | 56 | 2.21 | K | 7.3 | 2.5 | 3.0 | 0.0712 | 21 | 46 | 23.4 | 52.0 | 1.25 | 1760 | 74.0 | 78.5 | 81.1 | 0.52 | 0.65 | 0.74 | 1.15 |
| | | 56H | 3.35 | J | 5.9 | 2.2 | 2.8 | 0.1685 | 33 | 73 | 34.4 | 50.0 | 1.15 | 1160 | 75.5 | 80.0 | 81.7 | 0.45 | 0.58 | 0.67 | 1.26 |
| 1 | 0.75 | W56 | 1.51 | K | 7.0 | 3.1 | 3.3 | 0.0190 | 13 | 29 | 16.1 | 62.0 | 1.25 | 3420 | 74.0 | 75.5 | 77.0 | 0.61 | 0.74 | 0.83 | 1.47 |
| | | 48 | 1.51 | K | 7.0 | 3.1 | 3.3 | 0.0190 | 13 | 29 | 16.1 | 62.0 | 1.25 | 3420 | 74.0 | 75.5 | 77.0 | 0.61 | 0.74 | 0.83 | 1.47 |
| | | 56 | 2.94 | L | 7.6 | 2.8 | 3.2 | 0.0842 | 17 | 37 | 26.2 | 52.0 | 1.15 | 1760 | 78.5 | 82.5 | 83.5 | 0.49 | 0.63 | 0.72 | 1.57 |
| | | 56H | 4.47 | K | 6.2 | 2.4 | 3.0 | 0.1951 | 26 | 57 | 38.8 | 50.0 | 1.15 | 1160 | 77.0 | 81.5 | 82.5 | 0.45 | 0.58 | 0.68 | 1.68 |
| 1.5 | 1.1 | W56 | 2.27 | K | 8.0 | 3.3 | 3.6 | 0.0294 | 12 | 26 | 20.9 | 62.0 | 1.15 | 3420 | 82.5 | 84.0 | 84.0 | 0.65 | 0.78 | 0.85 | 1.93 |
| | | 48 | 2.27 | K | 8.0 | 3.3 | 3.6 | 0.0294 | 12 | 26 | 20.9 | 62.0 | 1.15 | 3420 | 82.5 | 84.0 | 84.0 | 0.65 | 0.78 | 0.85 | 1.93 |
| | | 56H | 4.42 | L | 8.8 | 2.9 | 3.5 | 0.1296 | 14 | 31 | 36.8 | 52.0 | 1.15 | 1760 | 84.0 | 85.5 | 86.5 | 0.53 | 0.66 | 0.76 | 2.10 |
| 2 | 1.5 | 56H | 2.95 | K | 8.9 | 2.2 | 3.3 | 0.1151 | 14 | 31 | 37.0 | 62.0 | 1.15 | 3510 | 84.0 | 85.5 | 85.5 | 0.77 | 0.86 | 0.91 | 2.42 |
| | | 56H | 5.96 | K | 7.7 | 2.6 | 3.2 | 0.1168 | 17 | 37 | 35.5 | 52.0 | 1.15 | 1740 | 85.5 | 86.5 | 86.5 | 0.61 | 0.74 | 0.81 | 2.69 |
| 3 | 2.2 | 56H | 4.47 | J | 8.0 | 2.3 | 3.0 | 0.1279 | 9 | 20 | 43.7 | 62.0 | 1.15 | 3480 | 84.0 | 85.5 | 85.5 | 0.76 | 0.86 | 0.90 | 3.59 |
| | | 56H | 8.96 | K | 7.6 | 2.7 | 3.0 | 0.1419 | 12 | 26 | 43.0 | 52.0 | 1.15 | 1735 | 86.5 | 86.5 | 86.9 | 0.59 | 0.72 | 0.80 | 3.97 |

Fractional - Three Phase - ODP - Standard Efficiency

| Output | | Frame | Full Load Torque (ft.lb) | Locked Rotor Current | | Locked Rotor Torque Tl/Tn | Break-down Torque T _b /T _n | Inertia J (lb-ft ²) | Allowable locked rotor time (s) | | Weight (lb) | Sound dB(A) | Service Factor | 460 V | | | | | | | |
|--------|------|-------|--------------------------|----------------------|--------------------------------|---------------------------|--|---------------------------------|---------------------------------|------|-------------|-------------|----------------|-------------------|----------------|------|--------------|--------------------------------------|-------|------|-------|
| | | | | Code | I _L /I _n | | | | Hot | Cold | | | | Rated speed (rpm) | % of full load | | | Full load current I _n (A) | | | |
| | | | | | | | | | | | | | | | Efficiency | | Power Factor | | | | |
| HP | kW | | | | | | | | | | | | | 50 | 75 | 100 | 50 | 75 | 100 | | |
| 0.16 | 0.12 | W56 | 0.480 | L | 5.1 | 2.4 | 2.9 | 0.0240 | 43 | 95 | 13.5 | 50.0 | 1.15 | 1735 | 50.5 | 59.5 | 62.0 | 0.48 | 0.58 | 0.67 | 0.363 |
| | | 48 | 0.480 | L | 5.1 | 2.4 | 2.9 | 0.0240 | 43 | 95 | 13.5 | 50.0 | 1.15 | 1735 | 50.5 | 59.5 | 62.0 | 0.48 | 0.58 | 0.67 | 0.363 |
| | | W56 | 0.730 | J | 3.9 | 1.9 | 2.5 | 0.0280 | 43 | 95 | 14.3 | 48.0 | 1.15 | 1135 | 46.0 | 55.0 | 59.5 | 0.45 | 0.56 | 0.65 | 0.389 |
| | | 48 | 0.730 | J | 3.9 | 1.9 | 2.5 | 0.0280 | 43 | 95 | 14.3 | 48.0 | 1.15 | 1135 | 46.0 | 55.0 | 59.5 | 0.45 | 0.56 | 0.65 | 0.389 |
| 0.25 | 0.18 | 56 | 0.370 | L | 6.4 | 2.5 | 3.0 | 0.0389 | 60 | 132 | 17.2 | 68.0 | 1.15 | 3475 | 46.0 | 52.5 | 57.5 | 0.75 | 0.82 | 0.86 | 0.457 |
| | | W56 | 0.380 | L | 6.0 | 2.8 | 3.0 | 0.0126 | 34 | 75 | 13.5 | 65.0 | 1.15 | 3430 | 48.0 | 57.5 | 59.5 | 0.62 | 0.71 | 0.78 | 0.487 |
| | | 48 | 0.380 | L | 6.0 | 2.8 | 3.0 | 0.0126 | 34 | 75 | 13.5 | 65.0 | 1.15 | 3430 | 48.0 | 57.5 | 59.5 | 0.62 | 0.71 | 0.78 | 0.487 |
| | | 56 | 0.730 | M | 6.3 | 2.4 | 3.0 | 0.0453 | 38 | 84 | 18.1 | 52.0 | 1.15 | 1765 | 57.5 | 66.0 | 70.0 | 0.43 | 0.54 | 0.62 | 0.521 |
| | | W56 | 0.750 | K | 5.3 | 2.4 | 2.9 | 0.0280 | 30 | 66 | 14.3 | 50.0 | 1.15 | 1735 | 55.0 | 62.0 | 66.0 | 0.48 | 0.59 | 0.68 | 0.503 |
| | | 48 | 0.750 | K | 5.3 | 2.4 | 2.9 | 0.0280 | 30 | 66 | 14.3 | 50.0 | 1.15 | 1735 | 55.0 | 62.0 | 66.0 | 0.48 | 0.59 | 0.68 | 0.503 |
| | | 56 | 1.12 | K | 5.1 | 2.3 | 3.0 | 0.0710 | 46 | 101 | 19.0 | 50.0 | 1.15 | 1160 | 55.0 | 64.0 | 68.0 | 0.41 | 0.52 | 0.61 | 0.545 |
| | | W56 | 1.14 | J | 4.2 | 2.0 | 2.5 | 0.0358 | 26 | 57 | 16.1 | 48.0 | 1.15 | 1135 | 50.5 | 59.5 | 62.0 | 0.45 | 0.56 | 0.65 | 0.561 |
| 48 | 1.14 | J | 4.2 | 2.0 | 2.5 | 0.0358 | 26 | 57 | 16.1 | 48.0 | 1.15 | 1135 | 50.5 | 59.5 | 62.0 | 0.45 | 0.56 | 0.65 | 0.561 | | |
| 0.33 | 0.25 | 56 | 0.490 | L | 6.4 | 2.5 | 3.0 | 0.0389 | 40 | 88 | 17.2 | 68.0 | 1.15 | 3485 | 48.0 | 57.5 | 62.0 | 0.72 | 0.79 | 0.84 | 0.602 |
| | | W56 | 0.500 | L | 6.1 | 2.9 | 3.0 | 0.0126 | 28 | 62 | 13.5 | 65.0 | 1.15 | 3425 | 52.5 | 59.5 | 62.0 | 0.60 | 0.70 | 0.77 | 0.657 |
| | | 48 | 0.500 | L | 6.1 | 2.9 | 3.0 | 0.0126 | 28 | 62 | 13.5 | 65.0 | 1.15 | 3425 | 52.5 | 59.5 | 62.0 | 0.60 | 0.70 | 0.77 | 0.657 |
| | | 56 | 0.970 | M | 7.1 | 2.3 | 3.0 | 0.0517 | 31 | 68 | 19.4 | 52.0 | 1.15 | 1765 | 64.0 | 72.0 | 74.0 | 0.47 | 0.58 | 0.68 | 0.624 |
| | | W56 | 0.990 | K | 5.4 | 2.3 | 2.7 | 0.0318 | 21 | 46 | 15.2 | 50.0 | 1.15 | 1730 | 57.5 | 64.0 | 68.0 | 0.48 | 0.60 | 0.70 | 0.659 |
| | | 48 | 0.990 | K | 5.4 | 2.3 | 2.7 | 0.0318 | 21 | 46 | 15.2 | 50.0 | 1.15 | 1730 | 57.5 | 64.0 | 68.0 | 0.48 | 0.60 | 0.70 | 0.659 |
| | | 56 | 1.47 | L | 5.5 | 2.4 | 3.0 | 0.0888 | 36 | 79 | 21.8 | 50.0 | 1.15 | 1160 | 59.5 | 68.0 | 70.0 | 0.42 | 0.53 | 0.62 | 0.723 |
| | | W56 | 1.51 | H | 4.1 | 1.8 | 2.3 | 0.0439 | 22 | 48 | 17.9 | 48.0 | 1.15 | 1130 | 55.0 | 62.0 | 64.0 | 0.48 | 0.59 | 0.69 | 0.711 |
| 48 | 1.51 | H | 4.1 | 1.8 | 2.3 | 0.0439 | 22 | 48 | 17.9 | 48.0 | 1.15 | 1130 | 55.0 | 62.0 | 64.0 | 0.48 | 0.59 | 0.69 | 0.711 | | |
| 0.5 | 0.37 | 56 | 0.740 | L | 7.0 | 2.6 | 3.0 | 0.0453 | 35 | 77 | 19.0 | 68.0 | 1.15 | 3500 | 55.0 | 62.0 | 68.0 | 0.67 | 0.75 | 0.81 | 0.843 |
| | | W56 | 0.760 | K | 6.3 | 2.9 | 2.9 | 0.0147 | 20 | 44 | 14.3 | 65.0 | 1.15 | 3400 | 59.5 | 66.0 | 68.0 | 0.61 | 0.73 | 0.80 | 0.854 |
| | | 48 | 0.760 | K | 6.3 | 2.9 | 2.9 | 0.0147 | 20 | 44 | 14.3 | 65.0 | 1.15 | 3400 | 59.5 | 66.0 | 68.0 | 0.61 | 0.73 | 0.80 | 0.854 |
| | | 56 | 1.47 | L | 7.0 | 2.4 | 3.0 | 0.0584 | 20 | 44 | 20.9 | 52.0 | 1.15 | 1760 | 68.0 | 74.0 | 77.0 | 0.48 | 0.61 | 0.70 | 0.862 |
| | | W56 | 1.50 | K | 6.0 | 2.6 | 2.8 | 0.0399 | 16 | 35 | 17.0 | 50.0 | 1.15 | 1730 | 62.0 | 70.0 | 72.0 | 0.49 | 0.62 | 0.72 | 0.896 |
| | | 48 | 1.50 | K | 6.0 | 2.6 | 2.8 | 0.0399 | 16 | 35 | 17.0 | 50.0 | 1.15 | 1730 | 62.0 | 70.0 | 72.0 | 0.49 | 0.62 | 0.72 | 0.896 |
| | | 56 | 2.23 | K | 5.4 | 2.1 | 3.0 | 0.1065 | 22 | 48 | 24.7 | 50.0 | 1.15 | 1160 | 64.0 | 70.0 | 72.0 | 0.44 | 0.56 | 0.65 | 0.992 |
| | | W56 | 2.29 | H | 4.4 | 2.0 | 2.4 | 0.0558 | 17 | 37 | 20.7 | 48.0 | 1.15 | 1130 | 59.5 | 66.0 | 68.0 | 0.47 | 0.59 | 0.69 | 0.990 |
| 48 | 2.29 | H | 4.4 | 2.0 | 2.4 | 0.0558 | 17 | 37 | 20.7 | 48.0 | 1.15 | 1130 | 59.5 | 66.0 | 68.0 | 0.47 | 0.59 | 0.69 | 0.990 | | |
| 0.75 | 0.55 | 56 | 1.12 | K | 7.0 | 2.5 | 2.9 | 0.0517 | 23 | 51 | 20.3 | 68.0 | 1.15 | 3475 | 62.0 | 68.0 | 72.0 | 0.70 | 0.79 | 0.85 | 1.13 |
| | | W56 | 1.14 | K | 6.9 | 3.0 | 3.0 | 0.0169 | 14 | 31 | 15.2 | 65.0 | 1.15 | 3400 | 66.0 | 70.0 | 72.0 | 0.64 | 0.76 | 0.83 | 1.16 |
| | | 48 | 1.14 | K | 6.9 | 3.0 | 3.0 | 0.0169 | 14 | 31 | 15.2 | 65.0 | 1.15 | 3400 | 66.0 | 70.0 | 72.0 | 0.64 | 0.76 | 0.83 | 1.16 |
| | | 56 | 2.21 | K | 6.9 | 2.4 | 3.0 | 0.0648 | 17 | 37 | 22.5 | 52.0 | 1.15 | 1755 | 72.0 | 77.0 | 78.5 | 0.48 | 0.61 | 0.72 | 1.22 |
| | | W56 | 2.25 | K | 6.5 | 2.7 | 2.9 | 0.0479 | 12 | 26 | 18.7 | 50.0 | 1.15 | 1730 | 68.0 | 74.0 | 75.5 | 0.52 | 0.65 | 0.75 | 1.22 |
| | | 48 | 2.25 | K | 6.5 | 2.7 | 2.9 | 0.0479 | 12 | 26 | 18.7 | 50.0 | 1.15 | 1730 | 68.0 | 74.0 | 75.5 | 0.52 | 0.65 | 0.75 | 1.22 |
| | | 56H | 3.36 | K | 5.8 | 2.3 | 3.0 | 0.1331 | 21 | 46 | 29.5 | 50.0 | 1.15 | 1155 | 70.0 | 74.0 | 75.5 | 0.46 | 0.59 | 0.68 | 1.34 |
| | | 56 | 3.36 | K | 5.8 | 2.3 | 3.0 | 0.1331 | 21 | 46 | 29.5 | 50.0 | 1.15 | 1155 | 70.0 | 74.0 | 75.5 | 0.46 | 0.59 | 0.68 | 1.34 |

continued on next page

Fractional - Three Phase - ODP - Standard Efficiency - *continued*

| Output | | Frame | Full Load Torque (ft.lb) | Locked Rotor Current | | Locked Rotor Torque Tl/Tn | Break-down Torque T _b /Tn | Inertia J (lb-ft ²) | Allowable locked rotor time (s) | | Weight (lb) | Sound dB(A) | Service Factor | 460 V | | | | | | | |
|--------|------|-------|--------------------------|----------------------|--------------------------------|---------------------------|--------------------------------------|---------------------------------|---------------------------------|------|-------------|-------------|----------------|-------------------|----------------|------|------|--------------------------------------|--------------|------|------|
| | | | | Code | I _L /I _n | | | | Hot | Cold | | | | Rated speed (rpm) | % of full load | | | Full load current I _n (A) | | | |
| | | | | | | | | | | | | | | | Efficiency | | | | Power Factor | | |
| HP | kW | | | | | | | | | | | | | 50 | 75 | 100 | 50 | 75 | 100 | | |
| 1 | 0.75 | 56 | 1.49 | K | 7.2 | 2.4 | 2.9 | 0.0643 | 24 | 53 | 23.4 | 68.0 | 1.15 | 3480 | 66.0 | 72.0 | 74.0 | 0.68 | 0.79 | 0.84 | 1.51 |
| | | W56 | 1.52 | L | 7.7 | 3.3 | 3.2 | 0.0211 | 11 | 24 | 17.0 | 65.0 | 1.15 | 3405 | 70.0 | 74.0 | 74.0 | 0.66 | 0.77 | 0.84 | 1.51 |
| | | 48 | 1.52 | L | 7.7 | 3.3 | 3.2 | 0.0211 | 11 | 24 | 17.0 | 65.0 | 1.15 | 3405 | 70.0 | 74.0 | 74.0 | 0.66 | 0.77 | 0.84 | 1.51 |
| | | 56 | 2.94 | M | 7.7 | 2.7 | 3.0 | 0.0842 | 12 | 26 | 26.9 | 52.0 | 1.15 | 1760 | 74.0 | 78.5 | 80.0 | 0.48 | 0.62 | 0.71 | 1.66 |
| | | W56 | 3.00 | K | 6.9 | 2.9 | 2.9 | 0.0598 | 9 | 20 | 21.6 | 50.0 | 1.15 | 1725 | 70.0 | 75.5 | 77.0 | 0.53 | 0.66 | 0.76 | 1.61 |
| | | 48 | 3.00 | K | 6.9 | 2.9 | 2.9 | 0.0598 | 9 | 20 | 21.6 | 50.0 | 1.15 | 1725 | 70.0 | 75.5 | 77.0 | 0.53 | 0.66 | 0.76 | 1.61 |
| | | 56H | 4.52 | J | 5.6 | 2.1 | 2.6 | 0.1597 | 15 | 33 | 33.7 | 50.0 | 1.15 | 1145 | 72.0 | 75.5 | 77.0 | 0.50 | 0.63 | 0.73 | 1.67 |
| | | 56 | 4.52 | J | 5.6 | 2.1 | 2.6 | 0.1597 | 15 | 33 | 33.7 | 50.0 | 1.15 | 1145 | 72.0 | 75.5 | 77.0 | 0.50 | 0.63 | 0.73 | 1.67 |
| 1.5 | 1.1 | 56 | 2.25 | J | 7.2 | 2.4 | 2.7 | 0.0771 | 12 | 26 | 26.0 | 68.0 | 1.15 | 3460 | 72.0 | 75.5 | 77.0 | 0.76 | 0.85 | 0.90 | 1.99 |
| | | W56 | 2.26 | L | 8.5 | 3.8 | 3.7 | 0.0294 | 9 | 20 | 20.7 | 65.0 | 1.15 | 3435 | 74.0 | 77.0 | 77.0 | 0.64 | 0.77 | 0.84 | 2.13 |
| | | 48 | 2.26 | L | 8.5 | 3.8 | 3.7 | 0.0294 | 9 | 20 | 20.7 | 65.0 | 1.15 | 3435 | 74.0 | 77.0 | 77.0 | 0.64 | 0.77 | 0.84 | 2.13 |
| | | 56H | 4.44 | K | 7.5 | 2.5 | 3.0 | 0.1037 | 9 | 20 | 31.3 | 52.0 | 1.15 | 1750 | 77.0 | 80.0 | 81.5 | 0.54 | 0.67 | 0.76 | 2.23 |
| | | 56 | 4.44 | K | 7.5 | 2.5 | 3.0 | 0.1037 | 9 | 20 | 31.3 | 52.0 | 1.15 | 1750 | 77.0 | 80.0 | 81.5 | 0.54 | 0.67 | 0.76 | 2.23 |
| 2 | 1.5 | 56H | 2.98 | K | 7.7 | 2.3 | 2.9 | 0.0963 | 11 | 24 | 30.9 | 68.0 | 1.15 | 3475 | 75.5 | 78.5 | 80.0 | 0.76 | 0.86 | 0.90 | 2.62 |
| | | 56 | 2.98 | K | 7.7 | 2.3 | 2.9 | 0.0963 | 11 | 24 | 30.9 | 68.0 | 1.15 | 3475 | 75.5 | 78.5 | 80.0 | 0.76 | 0.86 | 0.90 | 2.62 |
| | | 56H | 5.94 | K | 7.3 | 2.4 | 2.7 | 0.1232 | 8 | 18 | 35.9 | 52.0 | 1.15 | 1745 | 80.0 | 81.5 | 82.5 | 0.58 | 0.72 | 0.80 | 2.85 |
| | | 56 | 5.94 | K | 7.3 | 2.4 | 2.7 | 0.1232 | 8 | 18 | 35.9 | 52.0 | 1.15 | 1745 | 80.0 | 81.5 | 82.5 | 0.58 | 0.72 | 0.80 | 2.85 |
| 3 | 2.2 | 56H | 4.47 | K | 8.5 | 2.7 | 2.8 | 0.1279 | 6 | 13 | 38.1 | 68.0 | 1.15 | 3480 | 80.0 | 81.5 | 81.5 | 0.76 | 0.86 | 0.90 | 3.76 |
| | | 56 | 4.47 | K | 8.5 | 2.7 | 2.8 | 0.1279 | 6 | 13 | 38.1 | 68.0 | 1.15 | 3480 | 80.0 | 81.5 | 81.5 | 0.76 | 0.86 | 0.90 | 3.76 |

Cooling Tower Motors - Three Phase

| Output | | Frame | Full Load Torque (ft.lb) | Locked Rotor Current | | Locked Rotor Torque Tl/Tn | Break-down Torque Tb/Tn | Inertia J (lb-ft ²) | Allowable locked rotor time (s) | | Weight (lb) | Sound dB(A) | Service Factor | 460 V | | | | | | | Full load current In (A) | |
|--------|------|--------|--------------------------|----------------------|-------|---------------------------|-------------------------|---------------------------------|---------------------------------|------|-------------|-------------|----------------|-------------------|----------------|------|------|------------|--------------|------|--------------------------|-----|
| | | | | Code | II/In | | | | Hot | Cold | | | | Rated speed (rpm) | % of full load | | | Efficiency | Power Factor | | | |
| | | | | | | | | | | | | | | | 50 | 75 | 100 | | 50 | 75 | | 100 |
| HP | kW | | | | | | | | | | | | | | | | | | | | | |
| 1 | 0.75 | 143/5T | 1.49 | L | 8.2 | 2.8 | 3.4 | 0.0332 | 22 | 48 | 36.4 | 68.0 | 1.25 | 3480 | 75.0 | 79.0 | 81.5 | 0.63 | 0.74 | 0.80 | 1.44 | |
| | | 143T | 1.49 | L | 8.2 | 2.8 | 3.4 | 0.0332 | 22 | 48 | 36.4 | 68.0 | 1.25 | 3480 | 75.0 | 79.0 | 81.5 | 0.63 | 0.74 | 0.80 | 1.44 | |
| | | 143/5T | 2.94 | L | 8.4 | 3.2 | 3.5 | 0.1172 | 18 | 40 | 40.8 | 51.0 | 1.25 | 1760 | 80.0 | 84.0 | 85.5 | 0.55 | 0.68 | 0.75 | 1.47 | |
| | | 143T | 2.94 | L | 8.4 | 3.2 | 3.5 | 0.1172 | 18 | 40 | 40.8 | 51.0 | 1.25 | 1760 | 80.0 | 84.0 | 85.5 | 0.55 | 0.68 | 0.75 | 1.47 | |
| | | 143/5T | 4.51 | K | 6.2 | 3.0 | 3.0 | 0.1595 | 28 | 62 | 52.9 | 49.0 | 1.25 | 1150 | 77.0 | 82.0 | 82.5 | 0.45 | 0.57 | 0.66 | 1.73 | |
| | | 182/4T | 5.92 | M | 6.0 | 3.0 | 3.5 | 0.3991 | 22 | 48 | 94.8 | 50.0 | 1.25 | 875 | 74.0 | 77.0 | 78.5 | 0.32 | 0.42 | 0.52 | 2.30 | |
| | | 182T | 5.92 | M | 6.0 | 3.0 | 3.5 | 0.3991 | 22 | 48 | 94.8 | 50.0 | 1.25 | 875 | 74.0 | 77.0 | 78.5 | 0.32 | 0.42 | 0.52 | 2.30 | |
| 1.5 | 1.1 | 143/5T | 2.23 | L | 8.9 | 3.5 | 3.8 | 0.0470 | 21 | 46 | 40.8 | 68.0 | 1.25 | 3490 | 81.5 | 84.0 | 84.0 | 0.70 | 0.80 | 0.84 | 1.96 | |
| | | 143T | 2.23 | L | 8.9 | 3.5 | 3.8 | 0.0470 | 21 | 46 | 40.8 | 68.0 | 1.25 | 3490 | 81.5 | 84.0 | 84.0 | 0.70 | 0.80 | 0.84 | 1.96 | |
| | | 143/5T | 4.43 | L | 8.4 | 2.5 | 3.4 | 0.1431 | 14 | 31 | 48.5 | 51.0 | 1.25 | 1755 | 82.5 | 85.5 | 86.5 | 0.60 | 0.70 | 0.79 | 2.02 | |
| | | 182/4T | 6.64 | M | 7.8 | 3.2 | 4.0 | 0.4879 | 16 | 35 | 70.3 | 52.0 | 1.25 | 1170 | 84.0 | 86.5 | 87.5 | 0.45 | 0.54 | 0.62 | 2.54 | |
| | | 182T | 6.64 | M | 7.8 | 3.2 | 4.0 | 0.4879 | 16 | 35 | 70.3 | 52.0 | 1.25 | 1170 | 84.0 | 86.5 | 87.5 | 0.45 | 0.54 | 0.62 | 2.54 | |
| | | 182/4T | 9.04 | J | 5.5 | 2.5 | 2.6 | 0.5766 | 17 | 37 | 111 | 50.0 | 1.25 | 860 | 80.0 | 82.5 | 82.5 | 0.43 | 0.54 | 0.62 | 2.70 | |
| 2 | 1.5 | 182T | 2.94 | L | 9.5 | 2.9 | 4.8 | 0.1718 | 47 | 103 | 86.0 | 69.0 | 1.25 | 3530 | 78.5 | 84.0 | 85.5 | 0.68 | 0.79 | 0.84 | 2.62 | |
| | | 143/5T | 2.98 | L | 8.9 | 3.5 | 3.8 | 0.0605 | 17 | 37 | 51.8 | 68.0 | 1.25 | 3475 | 82.5 | 85.5 | 85.5 | 0.71 | 0.80 | 0.86 | 2.56 | |
| | | 143/5T | 5.92 | K | 8.0 | 2.7 | 3.2 | 0.1561 | 11 | 24 | 50.7 | 51.0 | 1.25 | 1750 | 85.5 | 86.5 | 86.5 | 0.57 | 0.70 | 0.79 | 2.76 | |
| | | 182/4T | 8.89 | L | 7.5 | 3.0 | 3.0 | 0.6210 | 31 | 68 | 87.5 | 52.0 | 1.25 | 1165 | 86.5 | 88.5 | 88.5 | 0.46 | 0.58 | 0.66 | 3.23 | |
| | | 213/5T | 11.8 | M | 7.6 | 2.4 | 2.9 | 1.79 | 39 | 86 | 149 | 52.0 | 1.25 | 875 | 82.5 | 84.0 | 85.5 | 0.45 | 0.55 | 0.65 | 3.39 | |
| | | 213T | 11.8 | M | 7.6 | 2.4 | 2.9 | 1.79 | 39 | 86 | 149 | 52.0 | 1.25 | 875 | 82.5 | 84.0 | 85.5 | 0.45 | 0.55 | 0.65 | 3.39 | |
| 3 | 2.2 | 182/4T | 4.42 | K | 8.6 | 2.5 | 3.8 | 0.1889 | 41 | 90 | 88.2 | 69.0 | 1.25 | 3515 | 82.5 | 86.5 | 86.5 | 0.75 | 0.84 | 0.88 | 3.63 | |
| | | 182T | 4.42 | K | 8.6 | 2.5 | 3.8 | 0.1889 | 41 | 90 | 88.2 | 69.0 | 1.25 | 3515 | 82.5 | 86.5 | 86.5 | 0.75 | 0.84 | 0.88 | 3.63 | |
| | | 145T | 4.49 | J | 8.1 | 3.3 | 3.6 | 0.0605 | 14 | 31 | 51.8 | 68.0 | 1.25 | 3460 | 85.5 | 86.5 | 86.5 | 0.70 | 0.81 | 0.86 | 3.71 | |
| | | 182T | 8.83 | K | 8.1 | 2.3 | 3.4 | 0.3401 | 23 | 51 | 90.4 | 56.0 | 1.25 | 1760 | 87.5 | 88.5 | 89.5 | 0.61 | 0.73 | 0.79 | 3.91 | |
| | | 182/4T | 8.83 | K | 8.1 | 2.3 | 3.4 | 0.3401 | 23 | 51 | 90.4 | 56.0 | 1.25 | 1760 | 87.5 | 88.5 | 89.5 | 0.61 | 0.73 | 0.79 | 3.91 | |
| | | 213/5T | 13.2 | K | 7.0 | 2.0 | 2.8 | 1.20 | 58 | 128 | 121 | 55.0 | 1.25 | 1175 | 86.5 | 88.5 | 89.5 | 0.50 | 0.63 | 0.70 | 4.41 | |
| | | 213T | 13.3 | K | 7.0 | 2.0 | 2.8 | 1.20 | 58 | 128 | 121 | 55.0 | 1.25 | 1170 | 86.5 | 88.5 | 89.5 | 0.50 | 0.63 | 0.70 | 4.41 | |
| | | 213/5T | 17.9 | K | 6.8 | 2.3 | 2.8 | 2.11 | 44 | 97 | 176 | 52.0 | 1.25 | 870 | 84.0 | 85.5 | 85.5 | 0.50 | 0.63 | 0.71 | 4.55 | |
| 5 | 3.7 | 182/4T | 7.40 | J | 7.6 | 2.3 | 3.5 | 0.2233 | 25 | 55 | 88.2 | 69.0 | 1.25 | 3500 | 86.5 | 88.5 | 88.5 | 0.76 | 0.85 | 0.89 | 5.90 | |
| | | 182/4T | 14.8 | J | 7.5 | 2.3 | 3.2 | 0.4003 | 15 | 33 | 94.8 | 56.0 | 1.25 | 1755 | 88.5 | 89.5 | 89.5 | 0.62 | 0.74 | 0.80 | 6.45 | |
| | | 213/5T | 22.1 | J | 6.8 | 1.7 | 2.6 | 1.47 | 57 | 125 | 162 | 55.0 | 1.25 | 1170 | 88.5 | 89.5 | 89.5 | 0.58 | 0.70 | 0.76 | 6.83 | |
| | | 254/6T | 29.4 | H | 5.3 | 1.9 | 2.5 | 3.41 | 44 | 97 | 258 | 54.0 | 1.25 | 880 | 85.5 | 87.5 | 87.5 | 0.49 | 0.62 | 0.70 | 7.58 | |
| | | 254T | 29.4 | H | 5.3 | 1.9 | 2.5 | 3.41 | 44 | 97 | 258 | 54.0 | 1.25 | 880 | 85.5 | 87.5 | 87.5 | 0.49 | 0.62 | 0.70 | 7.58 | |

continued on next page

Cooling Tower Motors - Three Phase - continued

| Output | | Frame | Full Load Torque (ft.lb) | Locked Rotor Current | | Locked Rotor Torque Tl/Tn | Break-down Torque Tlb/Tln | Inertia J (lb-ft ²) | Allowable locked rotor time (s) | | Weight (lb) | Sound dB(A) | Service Factor | 460 V | | | | | | | Full load current In (A) | |
|--------|-----|--------|--------------------------|----------------------|------|---------------------------|---------------------------|---------------------------------|---------------------------------|------|-------------|-------------|----------------|-------------------|----------------|------|------|------------|--------------|------|--------------------------|-----|
| | | | | Code | I/In | | | | Hot | Cold | | | | Rated speed (rpm) | % of full load | | | Efficiency | Power Factor | | | |
| | | | | | | | | | | | | | | | 50 | 75 | 100 | | 50 | 75 | | 100 |
| 7.5 | 5.5 | 213/5T | 11.0 | H | 7.2 | 2.1 | 3.0 | 0.4665 | 27 | 59 | 139 | 72.0 | 1.25 | 3520 | 87.5 | 89.5 | 89.5 | 0.75 | 0.84 | 0.88 | 8.76 | |
| | | 213T | 11.0 | H | 7.2 | 2.1 | 3.0 | 0.4665 | 27 | 59 | 139 | 72.0 | 1.25 | 3520 | 87.5 | 89.5 | 89.5 | 0.75 | 0.84 | 0.88 | 8.76 | |
| | | 182/4T | 11.1 | J | 8.2 | 2.7 | 3.3 | 0.2242 | 17 | 37 | 92.6 | 69.0 | 1.25 | 3485 | 88.5 | 89.5 | 89.5 | 0.75 | 0.84 | 0.88 | 8.76 | |
| | | 213/5T | 22.0 | H | 7.1 | 2.2 | 3.1 | 1.34 | 20 | 44 | 154 | 58.0 | 1.25 | 1765 | 89.5 | 91.0 | 91.7 | 0.66 | 0.76 | 0.82 | 9.18 | |
| | | 213T | 22.0 | H | 7.1 | 2.2 | 3.1 | 1.34 | 20 | 44 | 154 | 58.0 | 1.25 | 1765 | 89.5 | 91.0 | 91.7 | 0.66 | 0.76 | 0.82 | 9.18 | |
| | | 215T | 22.0 | H | 7.1 | 2.2 | 3.1 | 1.34 | 20 | 44 | 154 | 58.0 | 1.25 | 1765 | 89.5 | 91.0 | 91.7 | 0.66 | 0.76 | 0.82 | 9.18 | |
| | | 254/6T | 33.1 | H | 6.8 | 2.5 | 3.0 | 3.92 | 30 | 66 | 262 | 59.0 | 1.25 | 1175 | 89.5 | 90.2 | 91.0 | 0.63 | 0.74 | 0.80 | 9.48 | |
| | | 254T | 33.1 | H | 6.8 | 2.5 | 3.0 | 3.92 | 30 | 66 | 262 | 59.0 | 1.25 | 1175 | 89.5 | 90.2 | 91.0 | 0.63 | 0.74 | 0.80 | 9.48 | |
| | | 254/6T | 44.2 | G | 5.3 | 2.0 | 2.5 | 4.43 | 33 | 73 | 284 | 54.0 | 1.25 | 880 | 85.5 | 87.5 | 87.5 | 0.50 | 0.63 | 0.71 | 11.1 | |
| | | 284T | 44.2 | G | 5.6 | 2.0 | 2.4 | 7.20 | 34 | 75 | 344 | 54.0 | 1.25 | 880 | 87.5 | 88.5 | 88.5 | 0.60 | 0.72 | 0.78 | 10.0 | |
| 10 | 7.5 | 213/5T | 14.7 | H | 7.2 | 2.2 | 2.9 | 0.6362 | 24 | 53 | 163 | 72.0 | 1.25 | 3520 | 89.5 | 90.2 | 90.2 | 0.79 | 0.87 | 0.90 | 11.6 | |
| | | 213/5T | 29.4 | H | 6.4 | 2.0 | 3.0 | 1.51 | 17 | 37 | 172 | 58.0 | 1.25 | 1765 | 91.0 | 91.7 | 91.7 | 0.66 | 0.77 | 0.83 | 12.4 | |
| | | 254/6T | 44.1 | H | 6.5 | 2.3 | 2.8 | 4.43 | 26 | 57 | 289 | 59.0 | 1.25 | 1175 | 90.2 | 91.0 | 91.0 | 0.63 | 0.74 | 0.78 | 13.3 | |
| | | 254T | 44.1 | H | 6.5 | 2.3 | 2.8 | 4.43 | 26 | 57 | 289 | 59.0 | 1.25 | 1175 | 90.2 | 91.0 | 91.0 | 0.63 | 0.74 | 0.78 | 13.3 | |
| | | 256T | 44.1 | H | 6.5 | 2.3 | 2.8 | 4.43 | 26 | 57 | 289 | 59.0 | 1.25 | 1175 | 90.2 | 91.0 | 91.0 | 0.63 | 0.74 | 0.78 | 13.3 | |
| | | 284/6T | 58.9 | G | 5.6 | 2.0 | 2.4 | 7.20 | 32 | 70 | 373 | 54.0 | 1.25 | 880 | 89.5 | 90.2 | 90.2 | 0.61 | 0.72 | 0.78 | 13.4 | |
| | | 284T | 58.9 | G | 5.6 | 2.0 | 2.4 | 7.20 | 32 | 70 | 373 | 54.0 | 1.25 | 880 | 89.5 | 90.2 | 90.2 | 0.61 | 0.72 | 0.78 | 13.4 | |
| 15 | 11 | 254/6T | 22.0 | G | 6.7 | 2.2 | 2.7 | 1.26 | 25 | 55 | 236 | 72.0 | 1.25 | 3530 | 89.5 | 91.0 | 91.0 | 0.77 | 0.85 | 0.88 | 17.2 | |
| | | 254T | 22.0 | G | 6.7 | 2.2 | 2.7 | 1.26 | 25 | 55 | 236 | 72.0 | 1.25 | 3530 | 89.5 | 91.0 | 91.0 | 0.77 | 0.85 | 0.88 | 17.2 | |
| | | 213/5T | 22.1 | H | 7.6 | 2.4 | 2.8 | 0.6362 | 14 | 31 | 163 | 72.0 | 1.25 | 3510 | 90.2 | 91.0 | 91.0 | 0.76 | 0.85 | 0.89 | 17.0 | |
| | | 254/6T | 44.0 | G | 6.4 | 2.3 | 2.7 | 2.62 | 17 | 37 | 251 | 64.0 | 1.25 | 1765 | 91.0 | 91.7 | 92.4 | 0.68 | 0.78 | 0.83 | 18.0 | |
| | | 254T | 44.0 | G | 6.4 | 2.3 | 2.7 | 2.62 | 17 | 37 | 251 | 64.0 | 1.25 | 1765 | 91.0 | 91.7 | 92.4 | 0.68 | 0.78 | 0.83 | 18.0 | |
| | | 256T | 44.0 | G | 6.4 | 2.3 | 2.7 | 2.62 | 17 | 37 | 251 | 64.0 | 1.25 | 1765 | 91.0 | 91.7 | 92.4 | 0.68 | 0.78 | 0.83 | 18.0 | |
| | | 284T | 66.1 | G | 6.4 | 2.3 | 2.7 | 7.85 | 20 | 44 | 379 | 59.0 | 1.25 | 1175 | 91.0 | 91.7 | 91.7 | 0.69 | 0.80 | 0.84 | 17.9 | |
| | | 284/6T | 66.1 | G | 6.4 | 2.3 | 2.7 | 7.85 | 20 | 44 | 379 | 59.0 | 1.25 | 1175 | 91.0 | 91.7 | 91.7 | 0.69 | 0.80 | 0.84 | 17.9 | |
| 20 | 15 | 284/6T | 88.3 | G | 5.5 | 2.0 | 2.3 | 8.18 | 25 | 55 | 417 | 54.0 | 1.25 | 880 | 85.5 | 90.0 | 90.2 | 0.62 | 0.72 | 0.78 | 19.6 | |
| | | 254/6T | 29.4 | G | 6.1 | 2.0 | 2.4 | 1.54 | 21 | 46 | 269 | 72.0 | 1.25 | 3520 | 91.0 | 91.7 | 91.0 | 0.82 | 0.87 | 0.89 | 23.2 | |
| | | 256T | 29.4 | G | 6.1 | 2.0 | 2.4 | 1.54 | 21 | 46 | 269 | 72.0 | 1.25 | 3520 | 91.0 | 91.7 | 91.0 | 0.82 | 0.87 | 0.89 | 23.2 | |
| | | 254/6T | 58.7 | H | 6.9 | 2.3 | 2.7 | 3.10 | 15 | 33 | 291 | 64.0 | 1.25 | 1765 | 91.7 | 92.4 | 93.0 | 0.68 | 0.79 | 0.84 | 24.1 | |
| | | 284T | 58.7 | G | 6.0 | 2.3 | 2.6 | 5.11 | 27 | 59 | 370 | 64.0 | 1.25 | 1765 | 92.4 | 93.0 | 93.0 | 0.70 | 0.80 | 0.84 | 24.1 | |
| | | 284/6T | 88.2 | G | 6.2 | 2.3 | 2.6 | 9.16 | 16 | 35 | 426 | 59.0 | 1.25 | 1175 | 91.0 | 91.7 | 91.7 | 0.70 | 0.80 | 0.85 | 24.2 | |
| | | 324/6T | 118 | G | 5.0 | 1.9 | 2.2 | 9.37 | 27 | 59 | 452 | 56.0 | 1.25 | 880 | 89.5 | 91.0 | 91.0 | 0.54 | 0.66 | 0.73 | 28.3 | |
| 324T | 118 | G | 5.0 | 1.9 | 2.2 | 9.37 | 27 | 59 | 452 | 56.0 | 1.25 | 880 | 89.5 | 91.0 | 91.0 | 0.54 | 0.66 | 0.73 | 28.3 | | | |

continued on next page

Cooling Tower Motors - Three Phase - *continued*

| HP | kW | Frame | Full Load Torque (ft. lb) | Locked Rotor Current | | Locked Rotor Torque Tl/Tn | Break-down Torque Tl/Tn | Inertia J (lb-ft ²) | Allowable locked rotor time (s) | | Weight (lb) | Sound dB(A) | Service Factor | 460 V | | | | | | | |
|----|------|---------|---------------------------|----------------------|-------|---------------------------|-------------------------|---------------------------------|---------------------------------|------|-------------|-------------|----------------|-------------------|----------------|------|------|--------------------------|--------------|------|------|
| | | | | Code | II/In | | | | Hot | Cold | | | | Rated speed (rpm) | % of full load | | | Full load current In (A) | | | |
| | | | | | | | | | | | | | | | Efficiency | | | | Power Factor | | |
| | | | 50 | 75 | 100 | 50 | 75 | 100 | | | | | | | | | | | | | |
| 25 | 18.5 | 284/6TS | 36.6 | G | 6.3 | 2.0 | 2.5 | 2.69 | 17 | 37 | 362 | 72.0 | 1.25 | 3535 | 91.0 | 91.7 | 91.7 | 0.82 | 0.87 | 0.89 | 28.5 |
| | | 284TS | 36.6 | G | 6.3 | 2.0 | 2.5 | 2.69 | 17 | 37 | 362 | 72.0 | 1.25 | 3535 | 91.0 | 91.7 | 91.7 | 0.82 | 0.87 | 0.89 | 28.5 |
| | | 284T | 73.4 | G | 6.2 | 2.4 | 2.7 | 5.11 | 24 | 53 | 388 | 64.0 | 1.25 | 1765 | 92.4 | 93.0 | 93.6 | 0.70 | 0.80 | 0.84 | 29.5 |
| | | 284/6T | 73.4 | G | 6.2 | 2.4 | 2.7 | 5.11 | 24 | 53 | 388 | 64.0 | 1.25 | 1765 | 92.4 | 93.0 | 93.6 | 0.70 | 0.80 | 0.84 | 29.5 |
| | | 324/6T | 110 | G | 6.2 | 2.1 | 2.6 | 11.5 | 26 | 57 | 560 | 62.0 | 1.25 | 1180 | 91.7 | 93.0 | 93.0 | 0.65 | 0.77 | 0.82 | 30.4 |
| | | 324T | 110 | G | 6.2 | 2.1 | 2.6 | 11.5 | 26 | 57 | 560 | 62.0 | 1.25 | 1180 | 91.7 | 93.0 | 93.0 | 0.65 | 0.77 | 0.82 | 30.4 |
| | | 326T | 110 | G | 6.2 | 2.1 | 2.6 | 11.5 | 26 | 57 | 560 | 62.0 | 1.25 | 1180 | 91.7 | 93.0 | 93.0 | 0.65 | 0.77 | 0.82 | 30.4 |
| | | 324/6T | 147 | G | 5.2 | 2.0 | 2.3 | 11.9 | 23 | 51 | 509 | 56.0 | 1.25 | 880 | 89.5 | 91.0 | 91.0 | 0.51 | 0.64 | 0.71 | 35.9 |
| | | 326T | 147 | G | 5.2 | 2.0 | 2.3 | 11.9 | 23 | 51 | 509 | 56.0 | 1.25 | 880 | 89.5 | 91.0 | 91.0 | 0.51 | 0.64 | 0.71 | 35.9 |
| 30 | 22 | 284/6TS | 44.0 | G | 6.3 | 2.0 | 2.5 | 3.37 | 15 | 33 | 392 | 72.0 | 1.25 | 3535 | 91.7 | 91.7 | 91.7 | 0.82 | 0.87 | 0.89 | 33.8 |
| | | 324T | 87.6 | G | 6.2 | 2.1 | 2.4 | 8.18 | 26 | 57 | 463 | 66.0 | 1.25 | 1775 | 92.4 | 93.6 | 93.6 | 0.72 | 0.81 | 0.84 | 35.1 |
| | | 284/6T | 88.1 | G | 6.1 | 2.4 | 2.4 | 5.85 | 20 | 44 | 437 | 64.0 | 1.25 | 1765 | 93.0 | 93.0 | 93.6 | 0.70 | 0.80 | 0.84 | 35.1 |
| | | 324/6T | 132 | G | 6.2 | 2.3 | 2.6 | 13.2 | 21 | 46 | 628 | 62.0 | 1.25 | 1180 | 91.7 | 93.0 | 93.0 | 0.65 | 0.76 | 0.82 | 36.2 |
| | | 326T | 132 | G | 6.2 | 2.3 | 2.6 | 13.2 | 21 | 46 | 628 | 62.0 | 1.25 | 1180 | 91.7 | 93.0 | 93.0 | 0.65 | 0.76 | 0.82 | 36.2 |
| | | 364/5T | 132 | G | 6.2 | 1.9 | 2.4 | 13.2 | 27 | 59 | 781 | 66.0 | 1.25 | 1180 | 93.0 | 93.6 | 93.0 | 0.72 | 0.81 | 0.85 | 34.9 |
| | | 364/5T | 177 | G | 6.2 | 1.7 | 2.4 | 23.5 | 20 | 44 | 803 | 60.0 | 1.25 | 880 | 92.4 | 92.4 | 92.4 | 0.63 | 0.74 | 0.80 | 37.0 |
| 40 | 30 | 324/6TS | 58.3 | G | 6.3 | 2.3 | 2.4 | 4.90 | 22 | 48 | 547 | 78.0 | 1.25 | 3555 | 91.7 | 92.4 | 92.4 | 0.82 | 0.87 | 0.89 | 45.8 |
| | | 324TS | 58.3 | G | 6.3 | 2.3 | 2.4 | 4.90 | 22 | 48 | 547 | 78.0 | 1.25 | 3555 | 91.7 | 92.4 | 92.4 | 0.82 | 0.87 | 0.89 | 45.8 |
| | | 324/6T | 117 | G | 6.1 | 2.2 | 2.4 | 9.16 | 20 | 44 | 492 | 66.0 | 1.25 | 1775 | 93.6 | 94.1 | 94.1 | 0.72 | 0.80 | 0.85 | 47.1 |
| | | 324T | 117 | G | 6.1 | 2.2 | 2.4 | 9.16 | 20 | 44 | 492 | 66.0 | 1.25 | 1775 | 93.6 | 94.1 | 94.1 | 0.72 | 0.80 | 0.85 | 47.1 |
| | | 326T | 117 | G | 6.1 | 2.2 | 2.4 | 9.16 | 20 | 44 | 492 | 66.0 | 1.25 | 1775 | 93.6 | 94.1 | 94.1 | 0.72 | 0.80 | 0.85 | 47.1 |
| | | 364/5T | 175 | G | 6.4 | 2.0 | 2.4 | 29.0 | 21 | 46 | 833 | 66.0 | 1.25 | 1185 | 93.6 | 93.6 | 94.1 | 0.73 | 0.82 | 0.86 | 46.5 |
| | | 364/5T | 235 | H | 6.7 | 1.7 | 2.3 | 29.0 | 18 | 40 | 875 | 60.0 | 1.25 | 880 | 92.4 | 93.0 | 92.4 | 0.66 | 0.76 | 0.81 | 50.3 |
| 50 | 37 | 324/6TS | 73.0 | F | 6.2 | 2.2 | 2.3 | 5.75 | 23 | 51 | 584 | 78.0 | 1.25 | 3550 | 93.0 | 93.0 | 93.0 | 0.83 | 0.87 | 0.89 | 56.1 |
| | | 326TS | 73.0 | F | 6.2 | 2.2 | 2.3 | 5.75 | 23 | 51 | 584 | 78.0 | 1.25 | 3550 | 93.0 | 93.0 | 93.0 | 0.83 | 0.87 | 0.89 | 56.1 |
| | | 324/6T | 146 | G | 6.2 | 2.3 | 2.7 | 9.16 | 15 | 33 | 536 | 66.0 | 1.25 | 1775 | 93.0 | 94.1 | 94.5 | 0.66 | 0.77 | 0.83 | 59.2 |
| | | 364/5T | 220 | G | 6.4 | 2.0 | 2.4 | 32.4 | 18 | 40 | 869 | 66.0 | 1.25 | 1180 | 93.6 | 94.1 | 94.1 | 0.74 | 0.83 | 0.86 | 57.4 |
| | | 404/5T | 220 | G | 6.3 | 2.0 | 2.4 | 32.4 | 20 | 44 | 975 | 68.0 | 1.25 | 1180 | 93.6 | 94.1 | 94.1 | 0.73 | 0.82 | 0.85 | 58.1 |
| | | 404/5T | 294 | H | 6.8 | 1.7 | 2.6 | 34.6 | 15 | 33 | 1012 | 60.0 | 1.25 | 880 | 93.0 | 93.0 | 93.0 | 0.68 | 0.78 | 0.83 | 60.0 |
| 60 | 45 | 364/5TS | 87.3 | G | 6.6 | 2.0 | 2.6 | 10.6 | 14 | 31 | 825 | 79.0 | 1.25 | 3560 | 91.7 | 93.0 | 93.6 | 0.81 | 0.88 | 0.90 | 67.0 |
| | | 404/5TS | 87.4 | G | 6.5 | 2.0 | 2.5 | 10.6 | 22 | 48 | 911 | 79.0 | 1.25 | 3555 | 91.7 | 93.0 | 93.6 | 0.82 | 0.88 | 0.90 | 67.0 |
| | | 364/5T | 175 | G | 6.6 | 2.4 | 2.6 | 22.4 | 15 | 33 | 869 | 67.0 | 1.25 | 1775 | 94.1 | 94.5 | 95.0 | 0.75 | 0.83 | 0.87 | 68.3 |
| | | 404/5T | 262 | H | 7.1 | 2.0 | 2.3 | 36.9 | 20 | 44 | 1036 | 68.0 | 1.25 | 1185 | 94.1 | 94.5 | 94.5 | 0.74 | 0.82 | 0.86 | 69.5 |
| | | 404/5T | 353 | H | 6.5 | 1.8 | 2.7 | 40.2 | 13 | 29 | 1111 | 60.0 | 1.25 | 880 | 93.0 | 93.0 | 93.0 | 0.68 | 0.78 | 0.83 | 73.0 |
| 75 | 55 | 364/5TS | 109 | G | 6.7 | 2.0 | 2.6 | 11.9 | 10 | 22 | 847 | 79.0 | 1.25 | 3555 | 92.4 | 93.6 | 93.6 | 0.83 | 0.88 | 0.90 | 81.9 |
| | | 364/5T | 219 | G | 6.4 | 2.4 | 2.6 | 23.3 | 14 | 31 | 919 | 67.0 | 1.25 | 1775 | 94.5 | 95.0 | 95.4 | 0.73 | 0.82 | 0.86 | 84.1 |
| | | 404/5T | 329 | G | 6.4 | 2.0 | 2.3 | 40.2 | 17 | 37 | 1089 | 68.0 | 1.25 | 1180 | 94.1 | 94.5 | 94.5 | 0.74 | 0.83 | 0.86 | 84.9 |
| | | 444/5T | 437 | G | 6.0 | 1.8 | 2.1 | 73.6 | 18 | 40 | 1444 | 63.0 | 1.25 | 890 | 93.0 | 93.6 | 93.6 | 0.64 | 0.74 | 0.79 | 93.0 |

continued on next page

Cooling Tower Motors - Three Phase - *continued*

| Output | | Frame | Full Load Torque (ft.lb) | Locked Rotor Current | | Locked Rotor Torque Tl/Tn | Break-down Torque Tlb/Tn | Inertia J (lb-ft ²) | Allowable locked rotor time (s) | | Weight (lb) | Sound dB(A) | Service Factor | 460 V | | | | | | | |
|--------|----|---------|--------------------------|----------------------|-------|---------------------------|--------------------------|---------------------------------|---------------------------------|------|-------------|-------------|----------------|-------------------|----------------|------|------|--------------------------|--------------|------|-----|
| | | | | Code | ll/ln | | | | Hot | Cold | | | | Rated speed (rpm) | % of full load | | | Full load current In (A) | | | |
| HP | kW | | | | | | | | | | | | | | Efficiency | | | | Power Factor | | |
| | | | | | | | | | | | | | | 50 | 75 | 100 | 50 | 75 | 100 | | |
| 100 | 75 | 404/5TS | 146 | G | 6.5 | 2.0 | 2.4 | 13.2 | 14 | 31 | 1045 | 79.0 | 1.25 | 3545 | 93.0 | 94.1 | 94.1 | 0.85 | 0.90 | 0.91 | 110 |
| | | 404/5T | 292 | H | 7.3 | 2.4 | 2.6 | 29.9 | 13 | 29 | 1140 | 68.0 | 1.25 | 1775 | 95.0 | 95.0 | 95.4 | 0.77 | 0.84 | 0.88 | 111 |
| | | 444/5T | 437 | G | 6.2 | 2.2 | 2.6 | 87.3 | 20 | 44 | 1577 | 69.0 | 1.25 | 1185 | 94.5 | 95.0 | 95.0 | 0.68 | 0.78 | 0.82 | 121 |
| | | 444/5T | 582 | G | 6.0 | 1.9 | 2.2 | 87.3 | 15 | 33 | 1599 | 63.0 | 1.25 | 890 | 93.6 | 94.1 | 94.1 | 0.63 | 0.74 | 0.79 | 127 |

Close-Coupled Pump - JM - Three Phase - TEFC - Rolled Steel

| Output | | Frame | Full Load Torque (ft.lb) | Locked Rotor Current | | Locked Rotor Torque Tl/Tn | Break-down Torque Tb/Tn | Inertia J (lb-ft ²) | Allowable locked rotor time (s) | | Weight (lb) | Sound dB(A) | Service Factor | 460 V | | | | | | | |
|--------|------|---------|--------------------------|----------------------|------|---------------------------|-------------------------|---------------------------------|---------------------------------|-----|-------------|-------------|----------------|-------------------|----------------|------|------|--------------|------|------|--------------------------|
| | | | | | | | | | | | | | | Rated speed (rpm) | % of full load | | | | | | Full load current In (A) |
| | | | | | | | | | | | | | | | Efficiency | | | Power Factor | | | |
| | | | | | | | | | | | | | | | 50 | 75 | 100 | 50 | 75 | 100 | |
| HP | kW | Code | II/In | Hot | Cold | | | | | | | | | | | | | | | | |
| 1 | 0.75 | 143/5JM | 1.48 | K | 7.8 | 2.0 | 3.0 | 0.0643 | 22 | 48 | 26.2 | 68.0 | 1.15 | 3510 | 72.0 | 77.0 | 78.5 | 0.65 | 0.76 | 0.83 | 1.44 |
| | | 143/5JM | 2.94 | M | 8.6 | 2.8 | 3.0 | 0.1232 | 19 | 42 | 37.9 | 52.0 | 1.15 | 1765 | 82.5 | 84.0 | 85.5 | 0.52 | 0.66 | 0.75 | 1.47 |
| | | 143/5JM | 4.52 | J | 5.8 | 2.3 | 2.8 | 0.1597 | 31 | 68 | 38.6 | 49.0 | 1.15 | 1145 | 80.0 | 82.5 | 82.5 | 0.50 | 0.63 | 0.72 | 1.58 |
| 1.5 | 1.1 | 143/5JM | 2.21 | L | 9.1 | 2.3 | 3.0 | 0.1023 | 17 | 37 | 34.2 | 68.0 | 1.15 | 3520 | 80.0 | 82.5 | 84.0 | 0.71 | 0.82 | 0.88 | 1.87 |
| | | 143/5JM | 4.44 | K | 8.2 | 2.7 | 3.0 | 0.1101 | 21 | 46 | 37.9 | 52.0 | 1.15 | 1750 | 85.5 | 86.5 | 86.5 | 0.59 | 0.72 | 0.79 | 2.02 |
| | | 182/4JM | 6.64 | K | 6.9 | 2.4 | 3.4 | 0.2800 | 55 | 121 | 65.9 | 52.0 | 1.15 | 1170 | 84.0 | 86.5 | 87.5 | 0.50 | 0.63 | 0.71 | 2.22 |
| 2 | 1.5 | 143/5JM | 2.94 | L | 9.9 | 2.5 | 3.0 | 0.1279 | 13 | 29 | 40.1 | 68.0 | 1.15 | 3520 | 82.5 | 85.5 | 85.5 | 0.73 | 0.83 | 0.89 | 2.47 |
| | | 143/5JM | 5.94 | K | 8.2 | 2.7 | 3.0 | 0.1296 | 15 | 33 | 42.3 | 52.0 | 1.15 | 1745 | 85.5 | 87.5 | 86.5 | 0.60 | 0.73 | 0.80 | 2.72 |
| | | 182/4JM | 8.86 | K | 7.5 | 2.6 | 3.7 | 0.3424 | 44 | 97 | 76.1 | 52.0 | 1.15 | 1170 | 84.0 | 86.5 | 88.5 | 0.50 | 0.62 | 0.71 | 3.00 |
| 3 | 2.2 | 182/4JM | 4.42 | K | 8.8 | 2.2 | 3.0 | 0.1564 | 22 | 48 | 63.5 | 68.0 | 1.15 | 3515 | 84.0 | 86.5 | 86.5 | 0.71 | 0.82 | 0.87 | 3.67 |
| | | 182/4JM | 8.81 | K | 8.8 | 2.2 | 3.0 | 0.4017 | 18 | 40 | 80.3 | 56.0 | 1.15 | 1765 | 87.5 | 88.5 | 89.5 | 0.61 | 0.74 | 0.81 | 3.81 |
| | | 213/5JM | 13.2 | H | 6.4 | 2.3 | 2.9 | 1.08 | 46 | 101 | 130 | 55.0 | 1.15 | 1175 | 85.5 | 88.5 | 89.5 | 0.55 | 0.67 | 0.74 | 4.17 |
| 5 | 3.7 | 182/4JM | 7.40 | J | 7.8 | 2.2 | 3.0 | 0.2079 | 17 | 37 | 78.5 | 68.0 | 1.15 | 3500 | 87.5 | 88.5 | 88.5 | 0.76 | 0.85 | 0.89 | 5.90 |
| | | 182/4JM | 14.8 | J | 7.0 | 2.2 | 3.0 | 0.3080 | 16 | 35 | 71.4 | 56.0 | 1.15 | 1750 | 88.5 | 89.5 | 89.5 | 0.60 | 0.73 | 0.80 | 6.49 |
| | | 213/5JM | 22.0 | H | 6.0 | 2.2 | 2.5 | 1.26 | 30 | 66 | 144 | 55.0 | 1.15 | 1175 | 87.5 | 88.5 | 89.5 | 0.59 | 0.71 | 0.77 | 6.74 |
| 7.5 | 5.5 | 213/5JM | 11.0 | H | 7.6 | 2.6 | 3.0 | 0.5496 | 15 | 33 | 133 | 70.0 | 1.15 | 3530 | 87.5 | 88.5 | 89.5 | 0.76 | 0.85 | 0.89 | 8.67 |
| | | 213/5JM | 22.0 | H | 7.3 | 2.6 | 3.0 | 0.9380 | 22 | 48 | 120 | 60.0 | 1.15 | 1770 | 90.2 | 91.0 | 91.7 | 0.64 | 0.76 | 0.82 | 9.07 |
| | | 254/6JM | 33.1 | G | 5.4 | 2.0 | 2.3 | 2.34 | 42 | 92 | 204 | 59.0 | 1.15 | 1175 | 89.5 | 89.5 | 91.0 | 0.58 | 0.70 | 0.76 | 9.98 |
| 10 | 7.5 | 213/5JM | 14.7 | H | 7.5 | 2.6 | 3.0 | 0.7188 | 12 | 26 | 161 | 70.0 | 1.15 | 3530 | 89.5 | 90.2 | 90.2 | 0.80 | 0.88 | 0.91 | 11.5 |
| | | 213/5JM | 29.4 | H | 7.0 | 2.5 | 3.0 | 1.07 | 15 | 33 | 130 | 60.0 | 1.15 | 1760 | 91.0 | 91.0 | 91.7 | 0.67 | 0.78 | 0.84 | 12.2 |
| | | 254/6JM | 44.1 | G | 5.4 | 2.1 | 2.3 | 2.83 | 30 | 66 | 234 | 59.0 | 1.15 | 1175 | 90.2 | 91.0 | 91.0 | 0.57 | 0.69 | 0.75 | 13.8 |
| 15 | 11 | 254/6JM | 22.0 | G | 6.8 | 2.0 | 3.0 | 0.8718 | 14 | 31 | 175 | 75.0 | 1.15 | 3525 | 89.5 | 91.0 | 91.0 | 0.73 | 0.83 | 0.87 | 17.4 |
| | | 254/6JM | 43.9 | G | 6.5 | 2.5 | 3.0 | 2.15 | 19 | 42 | 197 | 68.0 | 1.15 | 1770 | 91.0 | 92.4 | 92.4 | 0.64 | 0.76 | 0.82 | 18.2 |
| 20 | 15 | 254/6JM | 29.5 | G | 6.6 | 2.0 | 2.9 | 1.22 | 12 | 26 | 211 | 75.0 | 1.15 | 3515 | 90.0 | 91.0 | 91.0 | 0.81 | 0.88 | 0.91 | 22.7 |
| | | 254/6JM | 58.7 | H | 6.7 | 2.7 | 3.0 | 2.64 | 16 | 35 | 227 | 68.0 | 1.15 | 1765 | 91.7 | 92.4 | 93.0 | 0.66 | 0.77 | 0.82 | 24.7 |
| 25 | 18.5 | 254/6JM | 36.7 | J | 8.3 | 2.4 | 3.4 | 1.31 | 8 | 18 | 221 | 75.0 | 1.15 | 3530 | 91.0 | 91.7 | 91.7 | 0.77 | 0.85 | 0.89 | 28.5 |

Close-Coupled Pump - JM - Three Phase - TEFC - Cast Iron

| Output | | Frame | Full Load Torque (ft.lb) | Locked Rotor Current | | Locked Rotor Torque Tl/Tn | Break-down Torque Td/Tn | Inertia J (lb-ft ²) | Allowable locked rotor time (s) | | Weight (lb) | Sound dB(A) | Service Factor | 460 V | | | | | | | Full load current In (A) |
|--------|------|---------|--------------------------|----------------------|-------|---------------------------|-------------------------|---------------------------------|---------------------------------|-----|-------------|-------------|----------------|-------------------|----------------|------|------|--------------|------|------|--------------------------|
| | | | | | | | | | | | | | | Rated speed (rpm) | % of full load | | | Power Factor | | | |
| | | | | | | | | | | | | | | | Efficiency | | | Power Factor | | | |
| HP | kW | | | Code | II/In | | | Hot | Cold | | | | | 50 | 75 | 100 | 50 | 75 | 100 | | |
| 1 | 0.75 | 143/5JM | 1.49 | L | 8.2 | 2.8 | 3.4 | 0.0332 | 22 | 48 | 36.4 | 68.0 | 1.25 | 3480 | 75.0 | 79.0 | 81.5 | 0.63 | 0.74 | 0.80 | 1.44 |
| | | 143/5JM | 2.94 | L | 8.4 | 3.2 | 3.5 | 0.1172 | 18 | 40 | 40.8 | 51.0 | 1.25 | 1760 | 80.0 | 84.0 | 85.5 | 0.55 | 0.68 | 0.75 | 1.47 |
| | | 143/5JM | 4.51 | K | 6.2 | 2.6 | 3.0 | 0.1595 | 28 | 62 | 52.9 | 49.0 | 1.25 | 1150 | 77.0 | 82.0 | 82.5 | 0.45 | 0.57 | 0.66 | 1.73 |
| 1.5 | 1.1 | 143/5JM | 2.23 | L | 8.9 | 3.5 | 3.8 | 0.0470 | 21 | 46 | 40.8 | 68.0 | 1.25 | 3490 | 81.5 | 84.0 | 84.0 | 0.70 | 0.80 | 0.84 | 1.96 |
| | | 143/5JM | 4.43 | L | 8.4 | 2.5 | 3.4 | 0.1431 | 14 | 31 | 48.5 | 51.0 | 1.25 | 1755 | 82.5 | 85.5 | 86.5 | 0.60 | 0.70 | 0.79 | 2.02 |
| | | 182/4JM | 6.64 | M | 7.8 | 3.2 | 4.0 | 0.4879 | 16 | 35 | 70.3 | 52.0 | 1.25 | 1170 | 84.0 | 86.5 | 87.5 | 0.45 | 0.54 | 0.62 | 2.54 |
| 2 | 1.5 | 143/5JM | 2.98 | L | 8.9 | 3.5 | 3.8 | 0.0605 | 17 | 37 | 51.8 | 68.0 | 1.25 | 3475 | 82.5 | 85.5 | 85.5 | 0.71 | 0.80 | 0.86 | 2.56 |
| | | 143/5JM | 5.92 | K | 8.0 | 2.7 | 3.2 | 0.1561 | 11 | 24 | 50.7 | 51.0 | 1.25 | 1750 | 85.5 | 86.5 | 86.5 | 0.57 | 0.70 | 0.79 | 2.76 |
| | | 182/4JM | 8.89 | L | 7.5 | 3.0 | 3.0 | 0.6210 | 31 | 68 | 87.5 | 52.0 | 1.25 | 1165 | 86.5 | 88.5 | 88.5 | 0.46 | 0.58 | 0.66 | 3.23 |
| 3 | 2.2 | 182/4JM | 4.42 | K | 8.6 | 2.5 | 3.8 | 0.1889 | 41 | 90 | 88.2 | 69.0 | 1.25 | 3515 | 82.5 | 86.5 | 86.5 | 0.75 | 0.84 | 0.88 | 3.63 |
| | | 182/4JM | 8.83 | K | 8.1 | 2.3 | 3.4 | 0.3401 | 23 | 51 | 90.4 | 56.0 | 1.25 | 1760 | 87.5 | 88.5 | 89.5 | 0.61 | 0.73 | 0.79 | 3.91 |
| | | 213/5JM | 13.2 | K | 7.0 | 2.0 | 2.8 | 1.20 | 58 | 128 | 121 | 55.0 | 1.25 | 1175 | 86.5 | 88.5 | 89.5 | 0.50 | 0.63 | 0.70 | 4.41 |
| 5 | 3.7 | 182/4JM | 7.40 | J | 7.6 | 2.3 | 3.5 | 0.2233 | 25 | 55 | 88.2 | 69.0 | 1.25 | 3500 | 86.5 | 88.5 | 88.5 | 0.76 | 0.85 | 0.89 | 5.90 |
| | | 182/4JM | 14.8 | J | 7.5 | 2.3 | 3.2 | 0.4003 | 15 | 33 | 94.8 | 56.0 | 1.25 | 1755 | 88.5 | 89.5 | 89.5 | 0.62 | 0.74 | 0.80 | 6.45 |
| | | 213/5JM | 22.1 | J | 6.8 | 1.7 | 2.6 | 1.47 | 57 | 125 | 162 | 55.0 | 1.25 | 1170 | 88.5 | 89.5 | 89.5 | 0.58 | 0.70 | 0.76 | 6.83 |
| 7.5 | 5.5 | 213/5JM | 11.0 | H | 7.2 | 2.1 | 3.0 | 0.4665 | 27 | 59 | 139 | 72.0 | 1.25 | 3520 | 87.5 | 89.5 | 89.5 | 0.75 | 0.84 | 0.88 | 8.76 |
| | | 213JM | 22.0 | H | 7.1 | 2.2 | 3.1 | 1.34 | 20 | 44 | 154 | 58.0 | 1.25 | 1765 | 89.5 | 91.0 | 91.7 | 0.66 | 0.76 | 0.82 | 9.18 |
| | | 213/5JM | 22.0 | H | 7.1 | 2.2 | 3.1 | 1.34 | 20 | 44 | 154 | 58.0 | 1.25 | 1765 | 89.5 | 91.0 | 91.7 | 0.66 | 0.76 | 0.82 | 9.18 |
| | | 254/6JM | 33.1 | H | 6.8 | 2.5 | 3.0 | 3.92 | 30 | 66 | 262 | 59.0 | 1.25 | 1175 | 89.5 | 90.2 | 91.0 | 0.63 | 0.74 | 0.80 | 9.48 |
| 10 | 7.5 | 213/5JM | 14.7 | H | 7.2 | 2.2 | 2.9 | 0.6362 | 24 | 53 | 163 | 72.0 | 1.25 | 3520 | 89.5 | 90.2 | 90.2 | 0.79 | 0.87 | 0.90 | 11.6 |
| | | 213/5JM | 29.4 | H | 6.4 | 2.0 | 3.0 | 1.51 | 17 | 37 | 172 | 58.0 | 1.25 | 1765 | 91.0 | 91.7 | 91.7 | 0.66 | 0.77 | 0.83 | 12.4 |
| | | 215JM | 29.4 | H | 6.4 | 2.0 | 3.0 | 1.51 | 17 | 37 | 172 | 58.0 | 1.25 | 1765 | 91.0 | 91.7 | 91.7 | 0.66 | 0.77 | 0.83 | 12.4 |
| | | 254/6JM | 44.1 | H | 6.5 | 2.3 | 2.8 | 4.43 | 26 | 57 | 289 | 59.0 | 1.25 | 1175 | 90.2 | 91.0 | 91.0 | 0.63 | 0.74 | 0.78 | 13.3 |
| 15 | 11 | 254/6JM | 22.0 | G | 6.7 | 2.2 | 2.7 | 1.26 | 25 | 55 | 236 | 72.0 | 1.25 | 3530 | 89.5 | 91.0 | 91.0 | 0.77 | 0.85 | 0.88 | 17.2 |
| | | 254/6JM | 44.0 | G | 6.4 | 2.3 | 2.7 | 2.62 | 17 | 37 | 251 | 64.0 | 1.25 | 1765 | 91.0 | 91.7 | 92.4 | 0.68 | 0.78 | 0.83 | 18.0 |
| | | 284/6JM | 66.1 | G | 6.4 | 2.3 | 2.7 | 7.85 | 20 | 44 | 379 | 59.0 | 1.25 | 1175 | 91.0 | 91.7 | 91.7 | 0.69 | 0.80 | 0.84 | 17.9 |
| 20 | 15 | 254/6JM | 29.4 | G | 6.1 | 2.0 | 2.4 | 1.54 | 21 | 46 | 269 | 72.0 | 1.25 | 3520 | 91.0 | 91.7 | 91.0 | 0.82 | 0.87 | 0.89 | 23.2 |
| | | 254/6JM | 58.7 | H | 6.9 | 2.3 | 2.7 | 3.10 | 15 | 33 | 291 | 64.0 | 1.25 | 1765 | 91.7 | 92.4 | 93.0 | 0.68 | 0.79 | 0.84 | 24.1 |
| | | 284/6JM | 88.2 | G | 6.2 | 2.3 | 2.6 | 9.16 | 16 | 35 | 426 | 59.0 | 1.25 | 1175 | 91.0 | 91.7 | 91.7 | 0.70 | 0.80 | 0.85 | 24.2 |
| 25 | 18.5 | 284/6JM | 36.6 | G | 6.3 | 2.0 | 2.5 | 2.69 | 17 | 37 | 362 | 72.0 | 1.25 | 3535 | 91.0 | 91.7 | 91.7 | 0.82 | 0.87 | 0.89 | 28.5 |
| | | 284/6JM | 73.4 | G | 6.2 | 2.4 | 2.7 | 5.11 | 24 | 53 | 388 | 64.0 | 1.25 | 1765 | 92.4 | 93.0 | 93.6 | 0.70 | 0.80 | 0.84 | 29.5 |
| | | 324/6JM | 110 | G | 6.2 | 2.1 | 2.6 | 11.5 | 26 | 57 | 560 | 62.0 | 1.25 | 1180 | 91.7 | 93.0 | 93.0 | 0.65 | 0.77 | 0.82 | 30.4 |
| 30 | 22 | 284/6JM | 44.0 | G | 6.3 | 2.0 | 2.5 | 3.37 | 15 | 33 | 392 | 72.0 | 1.25 | 3535 | 91.7 | 91.7 | 91.7 | 0.82 | 0.87 | 0.89 | 33.8 |
| | | 284/6JM | 88.1 | G | 6.1 | 2.4 | 2.4 | 5.85 | 20 | 44 | 437 | 64.0 | 1.25 | 1765 | 93.0 | 93.0 | 93.6 | 0.70 | 0.80 | 0.84 | 35.1 |
| | | 324/6JM | 132 | G | 6.2 | 2.3 | 2.6 | 13.2 | 21 | 46 | 628 | 62.0 | 1.25 | 1180 | 91.7 | 93.0 | 93.0 | 0.65 | 0.76 | 0.82 | 36.2 |
| 40 | 30 | 324/6JM | 58.3 | G | 6.3 | 2.3 | 2.4 | 4.90 | 22 | 48 | 547 | 78.0 | 1.25 | 3555 | 91.7 | 92.4 | 92.4 | 0.82 | 0.87 | 0.89 | 45.8 |
| | | 324/6JM | 117 | G | 6.1 | 2.2 | 2.4 | 9.16 | 20 | 44 | 492 | 66.0 | 1.25 | 1775 | 93.6 | 94.1 | 94.1 | 0.72 | 0.80 | 0.85 | 47.1 |
| | | 364/5JM | 175 | G | 6.4 | 2.0 | 2.4 | 29.0 | 21 | 46 | 833 | 66.0 | 1.25 | 1185 | 93.6 | 93.6 | 94.1 | 0.73 | 0.82 | 0.86 | 46.5 |

continued on next page

Close-Coupled Pump - JM - Three Phase - TEFC - Cast Iron - *continued*

| Output | | Frame | Full Load Torque (ft.lb) | Locked Rotor Current | | Locked Rotor Torque Tl/Tn | Break-down Torque Tb/Tn | Inertia J (lb-ft ²) | Allowable locked rotor time (s) | | Weight (lb) | Sound dB(A) | Service Factor | 460 V | | | | | | | | |
|--------|----|---------|--------------------------|----------------------|-------|---------------------------|-------------------------|---------------------------------|---------------------------------|----------------|-------------|-------------|----------------|--------------------------|------|------------|------|------|--------------|------|------|--|
| | | | | Code | ll/ln | | | | Rated speed (rpm) | % of full load | | | | Full load current in (A) | | | | | | | | |
| HP | kW | | | | | | | Hot | | Cold | | | | | | Efficiency | | | Power Factor | | | |
| | | | | | | | | | | | | | | 50 | 75 | 100 | 50 | 75 | 100 | | | |
| 50 | 37 | 324/6JM | 73.0 | F | 6.2 | 2.2 | 2.3 | 5.75 | 23 | 51 | 584 | 78.0 | 1.25 | 3550 | 93.0 | 93.0 | 93.0 | 0.83 | 0.87 | 0.89 | 56.1 | |
| | | 324/6JM | 146 | G | 6.2 | 2.3 | 2.7 | 9.16 | 15 | 33 | 536 | 66.0 | 1.25 | 1775 | 93.0 | 94.1 | 94.5 | 0.66 | 0.77 | 0.83 | 59.2 | |
| | | 364/5JM | 220 | G | 6.4 | 2.0 | 2.4 | 32.4 | 18 | 40 | 869 | 66.0 | 1.25 | 1180 | 93.6 | 94.1 | 94.1 | 0.74 | 0.83 | 0.86 | 57.4 | |
| 60 | 45 | 364/5JM | 87.3 | G | 6.6 | 2.0 | 2.6 | 10.6 | 14 | 31 | 825 | 79.0 | 1.25 | 3560 | 91.7 | 93.0 | 93.6 | 0.81 | 0.88 | 0.90 | 67.0 | |
| | | 364/5JM | 175 | G | 6.6 | 2.4 | 2.6 | 22.4 | 15 | 33 | 869 | 67.0 | 1.25 | 1775 | 94.1 | 94.5 | 95.0 | 0.75 | 0.83 | 0.87 | 68.3 | |
| 75 | 55 | 364/5JM | 109 | G | 6.7 | 2.0 | 2.6 | 11.9 | 10 | 22 | 847 | 79.0 | 1.25 | 3555 | 92.4 | 93.6 | 93.6 | 0.83 | 0.88 | 0.90 | 81.9 | |
| | | 364/5JM | 219 | G | 6.4 | 2.4 | 2.6 | 23.3 | 14 | 31 | 919 | 67.0 | 1.25 | 1775 | 94.5 | 95.0 | 95.4 | 0.73 | 0.82 | 0.86 | 84.1 | |

Close-Coupled Pump - JP - Three Phase - TEFC - Rolled Steel

| Output | | Frame | Full Load Torque (ft.lb) | Locked Rotor Current | | Locked Rotor Torque Tl/Tn | Break-down Torque Tb/Tn | Inertia J (lb-ft ²) | Allowable locked rotor time (s) | | Weight (lb) | Sound dB(A) | Service Factor | 460 V | | | | | | | Full load current In (A) | |
|--------|------|---------|--------------------------|----------------------|-------|---------------------------|-------------------------|---------------------------------|---------------------------------|------|-------------|-------------|----------------|-------------------|----------------|------|------|------------|--------------|------|--------------------------|-----|
| | | | | Code | II/In | | | | Hot | Cold | | | | Rated speed (rpm) | % of full load | | | Efficiency | Power Factor | | | |
| | | | | | | | | | | | | | | | 50 | 75 | 100 | | 50 | 75 | | 100 |
| HP | kW | | | | | | | | | | | | | | | | | | | | | |
| 1 | 0.75 | 143/5JP | 1.48 | K | 7.8 | 2.0 | 3.0 | 0.0643 | 22 | 48 | 26.2 | 68.0 | 1.15 | 3510 | 72.0 | 77.0 | 78.5 | 0.65 | 0.76 | 0.83 | 1.44 | |
| | | 143/5JP | 2.94 | M | 8.6 | 2.8 | 3.0 | 0.1232 | 19 | 42 | 37.9 | 52.0 | 1.15 | 1765 | 82.5 | 84.0 | 85.5 | 0.52 | 0.66 | 0.75 | 1.47 | |
| | | 143/5JP | 4.52 | J | 5.8 | 2.3 | 2.8 | 0.1597 | 31 | 68 | 38.6 | 49.0 | 1.15 | 1145 | 80.0 | 82.5 | 82.5 | 0.50 | 0.63 | 0.72 | 1.58 | |
| 1.5 | 1.1 | 143/5JP | 2.21 | L | 9.1 | 2.3 | 3.0 | 0.1023 | 17 | 37 | 34.2 | 68.0 | 1.15 | 3520 | 80.0 | 82.5 | 84.0 | 0.71 | 0.82 | 0.88 | 1.87 | |
| | | 143/5JP | 4.44 | K | 8.2 | 2.7 | 3.0 | 0.1101 | 21 | 46 | 37.9 | 52.0 | 1.15 | 1750 | 85.5 | 86.5 | 86.5 | 0.59 | 0.72 | 0.79 | 2.02 | |
| | | 182/4JP | 6.64 | K | 6.9 | 2.4 | 3.4 | 0.2800 | 55 | 121 | 65.9 | 52.0 | 1.15 | 1170 | 84.0 | 86.5 | 87.5 | 0.50 | 0.63 | 0.71 | 2.22 | |
| 2 | 1.5 | 143/5JP | 2.94 | L | 9.9 | 2.5 | 3.0 | 0.1279 | 13 | 29 | 40.1 | 68.0 | 1.15 | 3520 | 82.5 | 85.5 | 85.5 | 0.73 | 0.83 | 0.89 | 2.47 | |
| | | 143/5JP | 5.94 | K | 8.2 | 2.7 | 3.0 | 0.1296 | 15 | 33 | 42.3 | 52.0 | 1.15 | 1745 | 85.5 | 87.5 | 86.5 | 0.60 | 0.73 | 0.80 | 2.72 | |
| | | 182/4JP | 8.86 | K | 7.5 | 2.6 | 3.7 | 0.3424 | 44 | 97 | 76.1 | 52.0 | 1.15 | 1170 | 84.0 | 86.5 | 88.5 | 0.50 | 0.62 | 0.71 | 3.00 | |
| 3 | 2.2 | 182/4JP | 4.42 | K | 8.8 | 2.2 | 3.0 | 0.1564 | 22 | 48 | 63.5 | 68.0 | 1.15 | 3515 | 84.0 | 86.5 | 86.5 | 0.71 | 0.82 | 0.87 | 3.67 | |
| | | 182/4JP | 8.81 | K | 8.8 | 2.2 | 3.0 | 0.4017 | 18 | 40 | 80.3 | 56.0 | 1.15 | 1765 | 87.5 | 88.5 | 89.5 | 0.61 | 0.74 | 0.81 | 3.81 | |
| | | 213/5JP | 13.2 | H | 6.4 | 2.3 | 2.9 | 1.08 | 46 | 101 | 130 | 55.0 | 1.15 | 1175 | 85.5 | 88.5 | 89.5 | 0.55 | 0.67 | 0.74 | 4.17 | |
| 5 | 3.7 | 182/4JP | 7.40 | J | 7.8 | 2.2 | 3.0 | 0.2079 | 17 | 37 | 78.5 | 68.0 | 1.15 | 3500 | 87.5 | 88.5 | 88.5 | 0.76 | 0.85 | 0.89 | 5.90 | |
| | | 182/4JP | 14.8 | J | 7.0 | 2.2 | 3.0 | 0.3080 | 16 | 35 | 71.4 | 56.0 | 1.15 | 1750 | 88.5 | 89.5 | 89.5 | 0.60 | 0.73 | 0.80 | 6.49 | |
| | | 213/5JP | 22.0 | H | 6.0 | 2.2 | 2.5 | 1.26 | 30 | 66 | 144 | 55.0 | 1.15 | 1175 | 87.5 | 88.5 | 89.5 | 0.59 | 0.71 | 0.77 | 6.74 | |
| 7.5 | 5.5 | 213/5JP | 11.0 | H | 7.6 | 2.6 | 3.0 | 0.5496 | 15 | 33 | 133 | 70.0 | 1.15 | 3530 | 87.5 | 88.5 | 89.5 | 0.76 | 0.85 | 0.89 | 8.67 | |
| | | 213/5JP | 22.0 | H | 7.3 | 2.6 | 3.0 | 0.9380 | 22 | 48 | 120 | 60.0 | 1.15 | 1770 | 90.2 | 91.0 | 91.7 | 0.64 | 0.76 | 0.82 | 9.07 | |
| | | 254/6JP | 33.1 | G | 5.4 | 2.0 | 2.3 | 2.34 | 42 | 92 | 204 | 59.0 | 1.15 | 1175 | 89.5 | 89.5 | 91.0 | 0.58 | 0.70 | 0.76 | 9.98 | |
| 10 | 7.5 | 213/5JP | 14.7 | H | 7.5 | 2.6 | 3.0 | 0.7188 | 12 | 26 | 161 | 70.0 | 1.15 | 3530 | 89.5 | 90.2 | 90.2 | 0.80 | 0.88 | 0.91 | 11.5 | |
| | | 213/5JP | 29.4 | H | 7.0 | 2.5 | 3.0 | 1.07 | 15 | 33 | 130 | 60.0 | 1.15 | 1760 | 91.0 | 91.0 | 91.7 | 0.67 | 0.78 | 0.84 | 12.2 | |
| | | 254/6JP | 44.1 | G | 5.4 | 2.1 | 2.3 | 2.83 | 30 | 66 | 234 | 59.0 | 1.15 | 1175 | 90.2 | 91.0 | 91.0 | 0.57 | 0.69 | 0.75 | 13.8 | |
| 15 | 11 | 254/6JP | 22.0 | G | 6.8 | 2.0 | 3.0 | 0.8718 | 14 | 31 | 175 | 75.0 | 1.15 | 3525 | 89.5 | 91.0 | 91.0 | 0.73 | 0.83 | 0.87 | 17.4 | |
| | | 254/6JP | 43.9 | G | 6.5 | 2.5 | 3.0 | 2.15 | 19 | 42 | 197 | 68.0 | 1.15 | 1770 | 91.0 | 92.4 | 92.4 | 0.64 | 0.76 | 0.82 | 18.2 | |
| 20 | 15 | 254/6JP | 29.5 | G | 6.6 | 2.0 | 2.9 | 1.22 | 12 | 26 | 211 | 75.0 | 1.15 | 3515 | 90.0 | 91.0 | 91.0 | 0.81 | 0.88 | 0.91 | 22.7 | |
| | | 254/6JP | 58.7 | H | 6.7 | 2.7 | 3.0 | 2.64 | 16 | 35 | 227 | 68.0 | 1.15 | 1765 | 91.7 | 92.4 | 93.0 | 0.66 | 0.77 | 0.82 | 24.7 | |
| 25 | 18.5 | 254/6JP | 36.7 | J | 8.3 | 2.4 | 3.4 | 1.31 | 8 | 18 | 221 | 75.0 | 1.15 | 3530 | 91.0 | 91.7 | 91.7 | 0.77 | 0.85 | 0.89 | 28.5 | |

Close-Coupled Pump - JP - Three Phase - TEFC - Cast Iron

| Output | | Frame | Full Load Torque (ft.lb) | Locked Rotor Current | | Locked Rotor Torque Tl/Tn | Break-down Torque Tb/Tn | Inertia J (lb-ft ²) | Allowable locked rotor time (s) | | Weight (lb) | Sound dB(A) | Service Factor | 460 V | | | | | | | | |
|--------|------|---------|--------------------------|----------------------|-------|---------------------------|-------------------------|---------------------------------|---------------------------------|------|-------------|-------------|----------------|-------------------|----------------|------|------|--------------|------|------|--------------------------|--|
| | | | | Code | II/In | | | | Hot | Cold | | | | Rated speed (rpm) | % of full load | | | | | | Full load current In (A) | |
| | | | | | | | | | | | | | | | Efficiency | | | Power Factor | | | | |
| | | | | | | | | | | | | | | | 50 | 75 | 100 | 50 | 75 | 100 | | |
| 1 | 0.75 | 143/5JP | 1.49 | L | 8.2 | 2.8 | 3.4 | 0.0332 | 22 | 48 | 36.4 | 68.0 | 1.25 | 3480 | 75.0 | 79.0 | 81.5 | 0.63 | 0.74 | 0.80 | 1.44 | |
| | | 143/5JP | 2.94 | L | 8.4 | 3.2 | 3.5 | 0.1172 | 18 | 40 | 40.8 | 51.0 | 1.25 | 1760 | 80.0 | 84.0 | 85.5 | 0.55 | 0.68 | 0.75 | 1.47 | |
| | | 143/5JP | 4.51 | K | 6.2 | 2.6 | 3.0 | 0.1595 | 28 | 62 | 52.9 | 49.0 | 1.25 | 1150 | 77.0 | 82.0 | 82.5 | 0.45 | 0.57 | 0.66 | 1.73 | |
| 1.5 | 1.1 | 143/5JP | 2.23 | L | 8.9 | 3.5 | 3.8 | 0.0470 | 21 | 46 | 40.8 | 68.0 | 1.25 | 3490 | 81.5 | 84.0 | 84.0 | 0.70 | 0.80 | 0.84 | 1.96 | |
| | | 143/5JP | 4.43 | L | 8.4 | 2.5 | 3.4 | 0.1431 | 14 | 31 | 48.5 | 51.0 | 1.25 | 1755 | 82.5 | 85.5 | 86.5 | 0.60 | 0.70 | 0.79 | 2.02 | |
| | | 182/4JP | 6.64 | M | 7.8 | 3.2 | 4.0 | 0.4879 | 16 | 35 | 70.3 | 52.0 | 1.25 | 1170 | 84.0 | 86.5 | 87.5 | 0.45 | 0.54 | 0.62 | 2.54 | |
| 2 | 1.5 | 143/5JP | 2.98 | L | 8.9 | 3.5 | 3.8 | 0.0605 | 17 | 37 | 51.8 | 68.0 | 1.25 | 3475 | 82.5 | 85.5 | 85.5 | 0.71 | 0.80 | 0.86 | 2.56 | |
| | | 143/5JP | 5.92 | K | 8.0 | 2.7 | 3.2 | 0.1561 | 11 | 24 | 50.7 | 51.0 | 1.25 | 1750 | 85.5 | 86.5 | 86.5 | 0.57 | 0.70 | 0.79 | 2.76 | |
| | | 182/4JP | 8.89 | L | 7.5 | 3.0 | 3.0 | 0.6210 | 31 | 68 | 87.5 | 52.0 | 1.25 | 1165 | 86.5 | 88.5 | 88.5 | 0.46 | 0.58 | 0.66 | 3.23 | |
| 3 | 2.2 | 182/4JP | 4.42 | K | 8.6 | 2.5 | 3.8 | 0.1889 | 41 | 90 | 88.2 | 69.0 | 1.25 | 3515 | 82.5 | 86.5 | 86.5 | 0.75 | 0.84 | 0.88 | 3.63 | |
| | | 182/4JP | 8.83 | K | 8.1 | 2.3 | 3.4 | 0.3401 | 23 | 51 | 90.4 | 56.0 | 1.25 | 1760 | 87.5 | 88.5 | 89.5 | 0.61 | 0.73 | 0.79 | 3.91 | |
| | | 213/5JP | 13.2 | K | 7.0 | 2.0 | 2.8 | 1.20 | 58 | 128 | 121 | 55.0 | 1.25 | 1175 | 86.5 | 88.5 | 89.5 | 0.50 | 0.63 | 0.70 | 4.41 | |
| 5 | 3.7 | 182/4JP | 7.40 | J | 7.6 | 2.3 | 3.5 | 0.2233 | 25 | 55 | 88.2 | 69.0 | 1.25 | 3500 | 86.5 | 88.5 | 88.5 | 0.76 | 0.85 | 0.89 | 5.90 | |
| | | 182/4JP | 14.8 | J | 7.5 | 2.3 | 3.2 | 0.4003 | 15 | 33 | 94.8 | 56.0 | 1.25 | 1755 | 88.5 | 89.5 | 89.5 | 0.62 | 0.74 | 0.80 | 6.45 | |
| | | 213/5JP | 22.1 | J | 6.8 | 1.7 | 2.6 | 1.47 | 57 | 125 | 162 | 55.0 | 1.25 | 1170 | 88.5 | 89.5 | 89.5 | 0.58 | 0.70 | 0.76 | 6.83 | |
| 7.5 | 5.5 | 213/5JP | 11.0 | H | 7.2 | 2.1 | 3.0 | 0.4665 | 27 | 59 | 139 | 72.0 | 1.25 | 3520 | 87.5 | 89.5 | 89.5 | 0.75 | 0.84 | 0.88 | 8.76 | |
| | | 213/5JP | 22.0 | H | 7.1 | 2.2 | 3.1 | 1.34 | 20 | 44 | 154 | 58.0 | 1.25 | 1765 | 89.5 | 91.0 | 91.7 | 0.66 | 0.76 | 0.82 | 9.18 | |
| | | 254/6JP | 33.1 | H | 6.8 | 2.5 | 3.0 | 3.92 | 30 | 66 | 262 | 59.0 | 1.25 | 1175 | 89.5 | 90.2 | 91.0 | 0.63 | 0.74 | 0.80 | 9.48 | |
| 10 | 7.5 | 213/5JP | 14.7 | H | 7.2 | 2.2 | 2.9 | 0.6362 | 24 | 53 | 163 | 72.0 | 1.25 | 3520 | 89.5 | 90.2 | 90.2 | 0.79 | 0.87 | 0.90 | 11.6 | |
| | | 213/5JP | 29.4 | H | 6.4 | 2.0 | 3.0 | 1.51 | 17 | 37 | 172 | 58.0 | 1.25 | 1765 | 91.0 | 91.7 | 91.7 | 0.66 | 0.77 | 0.83 | 12.4 | |
| | | 254/6JP | 44.1 | H | 6.5 | 2.3 | 2.8 | 4.43 | 26 | 57 | 289 | 59.0 | 1.25 | 1175 | 90.2 | 91.0 | 91.0 | 0.63 | 0.74 | 0.78 | 13.3 | |
| 15 | 11 | 254/6JP | 22.0 | G | 6.7 | 2.2 | 2.7 | 1.26 | 25 | 55 | 236 | 72.0 | 1.25 | 3530 | 89.5 | 91.0 | 91.0 | 0.77 | 0.85 | 0.88 | 17.2 | |
| | | 254/6JP | 44.0 | G | 6.4 | 2.3 | 2.7 | 2.62 | 17 | 37 | 251 | 64.0 | 1.25 | 1765 | 91.0 | 91.7 | 92.4 | 0.68 | 0.78 | 0.83 | 18.0 | |
| | | 284/6JP | 66.1 | G | 6.4 | 2.3 | 2.7 | 7.85 | 20 | 44 | 379 | 59.0 | 1.25 | 1175 | 91.0 | 91.7 | 91.7 | 0.69 | 0.80 | 0.84 | 17.9 | |
| 20 | 15 | 254/6JP | 29.4 | G | 6.1 | 2.0 | 2.4 | 1.54 | 21 | 46 | 269 | 72.0 | 1.25 | 3520 | 91.0 | 91.7 | 91.0 | 0.82 | 0.87 | 0.89 | 23.2 | |
| | | 254/6JP | 58.7 | H | 6.9 | 2.3 | 2.7 | 3.10 | 15 | 33 | 291 | 64.0 | 1.25 | 1765 | 91.7 | 92.4 | 93.0 | 0.68 | 0.79 | 0.84 | 24.1 | |
| | | 284/6JP | 88.2 | G | 6.2 | 2.3 | 2.6 | 9.16 | 16 | 35 | 426 | 59.0 | 1.25 | 1175 | 91.0 | 91.7 | 91.7 | 0.70 | 0.80 | 0.85 | 24.2 | |
| 25 | 18.5 | 284/6JP | 36.6 | G | 6.3 | 2.0 | 2.5 | 2.69 | 17 | 37 | 362 | 72.0 | 1.25 | 3535 | 91.0 | 91.7 | 91.7 | 0.82 | 0.87 | 0.89 | 28.5 | |
| | | 284/6JP | 73.4 | G | 6.2 | 2.4 | 2.7 | 5.11 | 24 | 53 | 388 | 64.0 | 1.25 | 1765 | 92.4 | 93.0 | 93.6 | 0.70 | 0.80 | 0.84 | 29.5 | |
| | | 324/6JP | 110 | G | 6.2 | 2.1 | 2.6 | 11.5 | 26 | 57 | 560 | 62.0 | 1.25 | 1180 | 91.7 | 93.0 | 93.0 | 0.65 | 0.77 | 0.82 | 30.4 | |
| 30 | 22 | 284/6JP | 44.0 | G | 6.3 | 2.0 | 2.5 | 3.37 | 15 | 33 | 392 | 72.0 | 1.25 | 3535 | 91.7 | 91.7 | 91.7 | 0.82 | 0.87 | 0.89 | 33.8 | |
| | | 284/6JP | 88.1 | G | 6.1 | 2.4 | 2.4 | 5.85 | 20 | 44 | 437 | 64.0 | 1.25 | 1765 | 93.0 | 93.0 | 93.6 | 0.70 | 0.80 | 0.84 | 35.1 | |
| | | 324/6JP | 132 | G | 6.2 | 2.3 | 2.6 | 13.2 | 21 | 46 | 628 | 62.0 | 1.25 | 1180 | 91.7 | 93.0 | 93.0 | 0.65 | 0.76 | 0.82 | 36.2 | |
| 40 | 30 | 324JP | 58.3 | G | 6.3 | 2.3 | 2.4 | 4.90 | 22 | 48 | 547 | 78.0 | 1.25 | 3555 | 91.7 | 92.4 | 92.4 | 0.82 | 0.87 | 0.89 | 45.8 | |
| | | 324/6JP | 117 | G | 6.1 | 2.2 | 2.4 | 9.16 | 20 | 44 | 492 | 66.0 | 1.25 | 1775 | 93.6 | 94.1 | 94.1 | 0.72 | 0.80 | 0.85 | 47.1 | |
| | | 364/5JP | 175 | G | 6.4 | 2.0 | 2.4 | 29.0 | 21 | 46 | 833 | 66.0 | 1.25 | 1185 | 93.6 | 93.6 | 94.1 | 0.73 | 0.82 | 0.86 | 46.5 | |
| 50 | 37 | 324/6JP | 73.0 | F | 6.2 | 2.2 | 2.3 | 5.75 | 23 | 51 | 584 | 78.0 | 1.25 | 3550 | 93.0 | 93.0 | 93.0 | 0.83 | 0.87 | 0.89 | 56.1 | |
| | | 324/6JP | 146 | G | 6.2 | 2.3 | 2.7 | 9.16 | 15 | 33 | 536 | 66.0 | 1.25 | 1775 | 93.0 | 94.1 | 94.5 | 0.66 | 0.77 | 0.83 | 59.2 | |
| | | 364/5JP | 220 | G | 6.4 | 2.0 | 2.4 | 32.4 | 18 | 40 | 869 | 66.0 | 1.25 | 1180 | 93.6 | 94.1 | 94.1 | 0.74 | 0.83 | 0.86 | 57.4 | |

continued on next page

Close-Coupled Pump - JP - Three Phase - TEFC - Cast Iron - *continued*

| Output | | Frame | Full Load Torque (ft.lb) | Locked Rotor Current | | Locked Rotor Torque Tl/Tn | Break-down Torque Tb/Tn | Inertia J (lb-ft ²) | Allowable locked rotor time (s) | | Weight (lb) | Sound dB(A) | Service Factor | 460 V | | | | | | | |
|--------|----|---------|--------------------------|----------------------|-------|---------------------------|-------------------------|---------------------------------|---------------------------------|----|-------------|-------------|----------------|-------------------|----------------|------|------|--------------------------|--------------|------|------|
| | | | | | | | | | | | | | | Rated speed (rpm) | % of full load | | | Full load current In (A) | | | |
| | | | | | | | | | | | | | | | Efficiency | | | | Power Factor | | |
| HP | kW | | | Code | ll/ln | | | Hot | Cold | | | | | 50 | 75 | 100 | 50 | 75 | 100 | | |
| 60 | 45 | 364/5JP | 87.3 | G | 6.6 | 2.0 | 2.6 | 10.6 | 14 | 31 | 825 | 79.0 | 1.25 | 3560 | 91.7 | 93.0 | 93.6 | 0.81 | 0.88 | 0.90 | 67.0 |
| | | 364/5JP | 175 | G | 6.6 | 2.4 | 2.6 | 22.4 | 15 | 33 | 869 | 67.0 | 1.25 | 1775 | 94.1 | 94.5 | 95.0 | 0.75 | 0.83 | 0.87 | 68.3 |
| | | 404/5JP | 262 | H | 7.1 | 2.0 | 2.3 | 36.9 | 20 | 44 | 1036 | 68.0 | 1.25 | 1185 | 94.1 | 94.5 | 94.5 | 0.74 | 0.82 | 0.86 | 69.5 |
| 75 | 55 | 364/5JP | 109 | G | 6.7 | 2.0 | 2.6 | 11.9 | 10 | 22 | 847 | 79.0 | 1.25 | 3555 | 92.4 | 93.6 | 93.6 | 0.83 | 0.88 | 0.90 | 81.9 |
| | | 364/5JP | 219 | G | 6.4 | 2.4 | 2.6 | 23.3 | 14 | 31 | 919 | 67.0 | 1.25 | 1775 | 94.5 | 95.0 | 95.4 | 0.73 | 0.82 | 0.86 | 84.1 |
| | | 404/5JP | 329 | G | 6.4 | 2.0 | 2.3 | 40.2 | 17 | 37 | 1089 | 68.0 | 1.25 | 1180 | 94.1 | 94.5 | 94.5 | 0.74 | 0.83 | 0.86 | 84.9 |
| 100 | 75 | 404/5JP | 146 | G | 6.5 | 2.0 | 2.4 | 13.2 | 14 | 31 | 1045 | 79.0 | 1.25 | 3545 | 93.0 | 94.1 | 94.1 | 0.85 | 0.90 | 0.91 | 110 |
| | | 404/5JP | 292 | H | 7.3 | 2.4 | 2.6 | 29.9 | 13 | 29 | 1140 | 68.0 | 1.25 | 1775 | 95.0 | 95.0 | 95.4 | 0.77 | 0.84 | 0.88 | 111 |

Close-Coupled Pump - JM - Three Phase - ODP - Rolled Steel

| Output | | Frame | Full Load Torque (ft.lb) | Locked Rotor Current | | Locked Rotor Torque Tl/Tn | Break-down Torque Tb/Tn | Inertia J (lb-ft ²) | Allowable locked rotor time (s) | | Weight (lb) | Sound dB(A) | Service Factor | 460 V | | | | | | | |
|--------|------|---------|-----------------------------|----------------------|-------|---------------------------|-------------------------|---------------------------------|---------------------------------|------|-------------|-------------|----------------|-------------------|----------------|------|------|--------------|------|------|--------------------------|
| | | | | Code | II/In | | | | Hot | Cold | | | | Rated speed (rpm) | % of full load | | | | | | Full load current In (A) |
| | | | | | | | | | | | | | | | Efficiency | | | Power Factor | | | |
| | | | | | | | | | | | | | | | 50 | 75 | 100 | 50 | 75 | 100 | |
| 1 | 0.75 | 143/5JM | 1.48 | L | 8.3 | 2.1 | 3.3 | 0.0643 | 22 | 48 | 25.4 | 62.0 | 1.15 | 3510 | 74.0 | 78.5 | 80.0 | 0.66 | 0.78 | 0.85 | 1.38 |
| | | 143/5JM | 2.94 | L | 8.0 | 2.9 | 3.6 | 0.1101 | 22 | 48 | 34.4 | 52.0 | 1.15 | 1760 | 81.5 | 84.0 | 85.5 | 0.51 | 0.65 | 0.73 | 1.51 |
| | | 143/5JM | 4.51 | K | 6.1 | 2.5 | 3.0 | 0.1419 | 24 | 53 | 35.3 | 49.0 | 1.15 | 1150 | 78.5 | 81.5 | 82.5 | 0.47 | 0.60 | 0.69 | 1.65 |
| 1.5 | 1.1 | 143/5JM | 2.21 | K | 8.6 | 2.1 | 3.3 | 0.0835 | 19 | 42 | 29.3 | 62.0 | 1.15 | 3510 | 81.5 | 84.0 | 84.0 | 0.73 | 0.83 | 0.89 | 1.85 |
| | | 143/5JM | 4.42 | L | 8.7 | 2.8 | 3.3 | 0.1426 | 15 | 33 | 41.9 | 52.0 | 1.15 | 1760 | 84.0 | 86.5 | 86.5 | 0.56 | 0.69 | 0.77 | 2.07 |
| | | 182/4JM | 6.67 | J | 6.5 | 2.0 | 3.1 | 0.2178 | 46 | 101 | 56.0 | 52.0 | 1.15 | 1165 | 84.0 | 85.5 | 86.5 | 0.51 | 0.63 | 0.71 | 2.25 |
| 2 | 1.5 | 143/5JM | 2.95 | K | 8.9 | 2.2 | 3.3 | 0.1151 | 14 | 31 | 36.8 | 62.0 | 1.15 | 3510 | 84.0 | 85.5 | 85.5 | 0.77 | 0.86 | 0.91 | 2.42 |
| | | 143/5JM | 5.96 | K | 7.7 | 2.6 | 3.2 | 0.1168 | 17 | 37 | 39.0 | 52.0 | 1.15 | 1740 | 85.5 | 86.5 | 86.5 | 0.61 | 0.74 | 0.81 | 2.69 |
| | | 182/4JM | 8.89 | J | 6.6 | 2.0 | 3.0 | 0.2800 | 33 | 73 | 66.1 | 52.0 | 1.15 | 1165 | 85.5 | 86.5 | 87.5 | 0.53 | 0.66 | 0.73 | 2.95 |
| 3 | 2.2 | 143/5JM | 4.47 | J | 8.0 | 2.3 | 3.0 | 0.1279 | 9 | 20 | 39.9 | 62.0 | 1.15 | 3480 | 84.0 | 85.5 | 85.5 | 0.76 | 0.86 | 0.90 | 3.59 |
| | | 182/4JM | 8.81 | K | 8.4 | 2.2 | 3.3 | 0.3092 | 15 | 33 | 65.9 | 55.0 | 1.15 | 1765 | 87.5 | 88.5 | 89.5 | 0.60 | 0.73 | 0.80 | 3.86 |
| | | 213/5JM | 13.2 | H | 5.9 | 2.1 | 2.6 | 0.8104 | 39 | 86 | 98.3 | 55.0 | 1.15 | 1175 | 86.5 | 87.5 | 88.5 | 0.56 | 0.68 | 0.75 | 4.16 |
| 5 | 3.7 | 182/4JM | 7.38 | J | 7.6 | 1.9 | 3.0 | 0.1386 | 12 | 26 | 58.7 | 65.0 | 1.15 | 3510 | 85.5 | 86.5 | 86.5 | 0.73 | 0.83 | 0.88 | 6.10 |
| | | 182/4JM | 14.7 | J | 7.2 | 2.0 | 3.1 | 0.4003 | 12 | 26 | 79.8 | 55.0 | 1.15 | 1760 | 88.5 | 88.5 | 89.5 | 0.63 | 0.76 | 0.82 | 6.33 |
| | | 213/5JM | 22.0 | H | 5.9 | 2.2 | 2.5 | 1.08 | 29 | 64 | 118 | 55.0 | 1.15 | 1175 | 88.5 | 89.5 | 89.5 | 0.58 | 0.70 | 0.77 | 6.74 |
| 7.5 | 5.5 | 182/4JM | 11.1 | H | 7.4 | 1.8 | 2.9 | 0.1818 | 10 | 22 | 69.9 | 65.0 | 1.15 | 3500 | 88.5 | 88.5 | 88.5 | 0.76 | 0.85 | 0.90 | 8.67 |
| | | 213/5JM | 22.0 | H | 7.2 | 2.4 | 3.2 | 1.03 | 13 | 29 | 116 | 59.0 | 1.15 | 1770 | 89.5 | 90.2 | 91.0 | 0.65 | 0.77 | 0.82 | 9.25 |
| | | 254/6JM | 33.1 | F | 5.1 | 2.0 | 2.3 | 2.00 | 37 | 81 | 187 | 59.0 | 1.15 | 1175 | 88.5 | 90.2 | 90.2 | 0.56 | 0.68 | 0.75 | 10.2 |
| 10 | 7.5 | 213/5JM | 14.7 | H | 6.8 | 2.0 | 2.8 | 0.4651 | 11 | 24 | 117 | 66.0 | 1.15 | 3535 | 88.5 | 89.5 | 89.5 | 0.74 | 0.84 | 0.88 | 12.0 |
| | | 213/5JM | 29.3 | H | 7.0 | 2.5 | 3.5 | 1.30 | 14 | 31 | 137 | 59.0 | 1.15 | 1770 | 90.2 | 91.0 | 91.7 | 0.64 | 0.77 | 0.83 | 12.4 |
| | | 254/6JM | 43.9 | G | 5.3 | 2.1 | 2.3 | 2.50 | 34 | 75 | 209 | 59.0 | 1.15 | 1180 | 91.0 | 91.7 | 91.7 | 0.56 | 0.68 | 0.74 | 13.9 |
| 15 | 11 | 213/5JM | 22.0 | G | 6.8 | 2.1 | 2.8 | 0.5512 | 8 | 18 | 131 | 66.0 | 1.15 | 3535 | 90.2 | 90.2 | 90.2 | 0.77 | 0.86 | 0.89 | 17.2 |
| | | 254/6JM | 43.8 | H | 6.7 | 2.4 | 3.0 | 1.82 | 17 | 37 | 175 | 64.0 | 1.15 | 1775 | 91.7 | 92.4 | 93.0 | 0.62 | 0.73 | 0.80 | 18.6 |
| 20 | 15 | 254/6JM | 29.4 | G | 6.0 | 1.8 | 2.4 | 0.7848 | 13 | 29 | 151 | 70.0 | 1.15 | 3525 | 90.2 | 91.0 | 91.0 | 0.76 | 0.83 | 0.87 | 23.8 |
| | | 254/6JM | 58.5 | G | 6.3 | 2.4 | 2.9 | 2.23 | 15 | 33 | 198 | 64.0 | 1.15 | 1770 | 92.4 | 92.4 | 93.0 | 0.63 | 0.74 | 0.81 | 25.0 |
| 25 | 18.5 | 254/6JM | 36.7 | G | 6.3 | 1.8 | 2.9 | 0.9155 | 9 | 20 | 174 | 70.0 | 1.15 | 3530 | 91.0 | 91.7 | 91.7 | 0.73 | 0.83 | 0.87 | 29.1 |

Close-Coupled Pump - JM - Three Phase - ODP - Cast Iron

| Output | | Frame | Full Load Torque (ft.lb) | Locked Rotor Current | | Locked Rotor Torque Tl/Tn | Break-down Torque Tb/Tn | Inertia J (lb-ft ²) | Allowable locked rotor time (s) | | Weight (lb) | Sound dB(A) | Service Factor | 460 V | | | | | | | Full load current in (A) |
|--------|------|---------|--------------------------|----------------------|-------|---------------------------|-------------------------|---------------------------------|---------------------------------|----|-------------|-------------|----------------|-------------------|----------------|------|------|--------------|------|------|--------------------------|
| | | | | | | | | | | | | | | Rated speed (rpm) | % of full load | | | Power Factor | | | |
| | | | | | | | | | | | | | | | Efficiency | | | Power Factor | | | |
| HP | KW | | | Code | ll/in | | | Hot | Cold | | | | | 50 | 75 | 100 | 50 | 75 | 100 | | |
| 7.5 | 5.5 | 254JM | 32.9 | H | 6.7 | 2.6 | 3.0 | 2.29 | 16 | 35 | 240 | 59.0 | 1.25 | 1180 | 87.5 | 89.5 | 90.2 | 0.58 | 0.70 | 0.77 | 9.94 |
| 10 | 7.5 | 254/6JM | 43.9 | H | 6.8 | 2.3 | 3.0 | 3.53 | 17 | 37 | 300 | 59.0 | 1.25 | 1180 | 90.2 | 91.0 | 91.7 | 0.62 | 0.74 | 0.80 | 12.8 |
| 15 | 11 | 254JM | 43.9 | G | 6.4 | 2.4 | 2.8 | 2.72 | 17 | 37 | 289 | 62.0 | 1.25 | 1770 | 91.7 | 92.4 | 93.0 | 0.66 | 0.78 | 0.85 | 17.5 |
| | | 284JM | 65.9 | G | 6.3 | 2.6 | 2.6 | 4.80 | 16 | 35 | 337 | 59.0 | 1.25 | 1180 | 91.0 | 91.7 | 91.7 | 0.67 | 0.77 | 0.82 | 18.4 |
| 20 | 15 | 254JM | 29.3 | G | 6.3 | 2.0 | 2.8 | 0.8718 | 12 | 26 | 240 | --- | 1.25 | 3535 | 90.2 | 91.0 | 91.0 | 0.72 | 0.82 | 0.85 | 24.3 |
| | | 254/6JM | 58.7 | G | 6.4 | 2.2 | 2.8 | 3.13 | 12 | 26 | 320 | 62.0 | 1.25 | 1765 | 92.4 | 93.0 | 93.0 | 0.69 | 0.79 | 0.84 | 24.1 |
| 25 | 18.5 | 284/6JM | 88.0 | G | 6.4 | 2.3 | 2.6 | 6.89 | 15 | 33 | 410 | 59.0 | 1.25 | 1177 | 91.7 | 92.4 | 92.4 | 0.71 | 0.80 | 0.84 | 24.3 |
| | | 254/6JM | 36.6 | G | 6.5 | 2.0 | 2.8 | 1.13 | 11 | 24 | 276 | --- | 1.25 | 3535 | 91.0 | 91.7 | 91.7 | 0.77 | 0.85 | 0.88 | 28.8 |
| | | 284JM | 73.2 | G | 6.6 | 2.7 | 2.8 | 3.71 | 17 | 37 | 370 | 64.0 | 1.25 | 1770 | 93.0 | 93.6 | 93.6 | 0.69 | 0.80 | 0.84 | 29.5 |
| 30 | 22 | 324JM | 109 | G | 6.2 | 2.1 | 2.5 | 7.69 | 18 | 40 | 474 | 62.0 | 1.25 | 1183 | 91.7 | 92.4 | 93.0 | 0.65 | 0.76 | 0.81 | 30.8 |
| | | 284JM | 43.8 | G | 6.3 | 1.8 | 2.8 | 1.59 | 10 | 22 | 324 | 73.0 | 1.25 | 3545 | 90.2 | 91.7 | 91.7 | 0.73 | 0.82 | 0.86 | 35.0 |
| | | 284/6JM | 87.8 | G | 6.6 | 2.8 | 2.8 | 4.52 | 18 | 40 | 421 | 64.0 | 1.25 | 1770 | 93.6 | 94.1 | 94.1 | 0.70 | 0.80 | 0.84 | 34.9 |
| 40 | 30 | 324/6JM | 131 | G | 6.3 | 2.0 | 2.4 | 9.56 | 17 | 37 | 545 | 62.0 | 1.25 | 1182 | 92.4 | 93.0 | 93.6 | 0.70 | 0.79 | 0.82 | 36.0 |
| | | 284/6JM | 58.5 | G | 6.5 | 1.9 | 2.6 | 2.02 | 8 | 18 | 370 | 73.0 | 1.25 | 3540 | 91.7 | 92.4 | 92.4 | 0.76 | 0.84 | 0.87 | 46.8 |
| | | 324JM | 117 | G | 6.2 | 2.0 | 2.4 | 5.69 | 13 | 29 | 472 | 66.0 | 1.25 | 1775 | 93.6 | 94.1 | 94.1 | 0.70 | 0.80 | 0.84 | 47.6 |
| 50 | 37 | 364/5JM | 175 | G | 6.4 | 2.0 | 2.3 | 21.8 | 22 | 48 | 787 | 68.0 | 1.25 | 1185 | 93.6 | 94.1 | 94.1 | 0.74 | 0.82 | 0.85 | 47.1 |
| | | 324JM | 72.8 | G | 6.3 | 2.0 | 2.2 | 3.02 | 14 | 31 | 450 | 75.0 | 1.25 | 3560 | 91.7 | 93.0 | 93.0 | 0.73 | 0.82 | 0.85 | 58.7 |
| | | 324/6JM | 146 | G | 6.3 | 2.4 | 2.4 | 7.08 | 11 | 24 | 542 | 66.0 | 1.25 | 1775 | 94.1 | 94.5 | 94.5 | 0.70 | 0.80 | 0.84 | 58.5 |
| 60 | 45 | 364/5JM | 219 | G | 6.7 | 2.2 | 2.4 | 23.9 | 15 | 33 | 820 | 68.0 | 1.25 | 1185 | 93.6 | 94.1 | 94.1 | 0.74 | 0.82 | 0.85 | 58.1 |
| | | 324/6JM | 87.3 | G | 6.3 | 2.2 | 2.3 | 3.82 | 12 | 26 | 514 | 75.0 | 1.25 | 3560 | 92.4 | 93.0 | 93.6 | 0.73 | 0.82 | 0.85 | 71.0 |
| 75 | 55 | 364/5JM | 175 | G | 6.5 | 2.0 | 2.4 | 15.6 | 19 | 42 | 785 | 69.0 | 1.25 | 1780 | 94.5 | 95.0 | 95.0 | 0.73 | 0.82 | 0.85 | 69.9 |
| | | 364/5JM | 109 | G | 6.6 | 2.0 | 2.5 | 6.40 | 19 | 42 | 736 | 84.0 | 1.25 | 3560 | 91.7 | 93.0 | 93.6 | 0.77 | 0.84 | 0.87 | 84.8 |
| 100 | 75 | 364/5JM | 218 | G | 6.8 | 2.2 | 2.6 | 16.8 | 14 | 31 | 811 | 69.0 | 1.25 | 1780 | 94.5 | 95.0 | 95.0 | 0.73 | 0.82 | 0.85 | 85.5 |
| 100 | 75 | 364/5JM | 146 | G | 6.6 | 1.8 | 2.3 | 7.20 | 13 | 29 | 774 | 84.0 | 1.25 | 3555 | 92.4 | 93.6 | 93.6 | 0.77 | 0.84 | 0.87 | 116 |

Close-Coupled Pump - JP - Three Phase - ODP - Rolled Steel

| Output | | Frame | Full Load Torque (ft.lb) | Locked Rotor Current | | Locked Rotor Torque Tl/Tn | Break-down Torque Tlb/Tn | Inertia J (lb-ft ²) | Allowable locked rotor time (s) | | Weight (lb) | Sound dB(A) | Service Factor | 460 V | | | | | | | | |
|--------|------|---------|--------------------------|----------------------|-------|---------------------------|--------------------------|---------------------------------|---------------------------------|------|-------------|-------------|----------------|-------------------|----------------|------|------|--------------|------|------|--------------------------|--|
| | | | | Code | ll/ln | | | | Hot | Cold | | | | Rated speed (rpm) | % of full load | | | | | | Full load current In (A) | |
| | | | | | | | | | | | | | | | Efficiency | | | Power Factor | | | | |
| | | | | | | | | | | | | | | | 50 | 75 | 100 | 50 | 75 | 100 | | |
| 1 | 0.75 | 143/5JP | 1.48 | L | 8.3 | 2.1 | 3.3 | 0.0643 | 22 | 48 | 25.4 | 62.0 | 1.15 | 3510 | 74.0 | 78.5 | 80.0 | 0.66 | 0.78 | 0.85 | 1.38 | |
| | | 143/5JP | 2.94 | L | 8.0 | 2.9 | 3.6 | 0.1101 | 22 | 48 | 34.4 | 52.0 | 1.15 | 1760 | 81.5 | 84.0 | 85.5 | 0.51 | 0.65 | 0.73 | 1.51 | |
| | | 143/5JP | 4.51 | K | 6.1 | 2.5 | 3.0 | 0.1419 | 24 | 53 | 35.3 | 49.0 | 1.15 | 1150 | 78.5 | 81.5 | 82.5 | 0.47 | 0.60 | 0.69 | 1.65 | |
| 1.5 | 1.1 | 143/5JP | 2.21 | K | 8.6 | 2.1 | 3.3 | 0.0835 | 19 | 42 | 29.3 | 62.0 | 1.15 | 3510 | 81.5 | 84.0 | 84.0 | 0.73 | 0.83 | 0.89 | 1.85 | |
| | | 143/5JP | 4.42 | L | 8.7 | 2.8 | 3.3 | 0.1426 | 15 | 33 | 41.9 | 52.0 | 1.15 | 1760 | 84.0 | 86.5 | 86.5 | 0.56 | 0.69 | 0.77 | 2.07 | |
| | | 182/4JP | 6.67 | J | 6.5 | 2.0 | 3.1 | 0.2178 | 46 | 101 | 56.0 | 52.0 | 1.15 | 1165 | 84.0 | 85.5 | 86.5 | 0.51 | 0.63 | 0.71 | 2.25 | |
| 2 | 1.5 | 143/5JP | 2.95 | K | 8.9 | 2.2 | 3.3 | 0.1151 | 14 | 31 | 36.8 | 62.0 | 1.15 | 3510 | 84.0 | 85.5 | 85.5 | 0.77 | 0.86 | 0.91 | 2.42 | |
| | | 143/5JP | 5.96 | K | 7.7 | 2.6 | 3.2 | 0.1168 | 17 | 37 | 39.0 | 52.0 | 1.15 | 1740 | 85.5 | 86.5 | 86.5 | 0.61 | 0.74 | 0.81 | 2.69 | |
| | | 182/4JP | 8.89 | J | 6.6 | 2.0 | 3.0 | 0.2800 | 33 | 73 | 66.1 | 52.0 | 1.15 | 1165 | 85.5 | 86.5 | 87.5 | 0.53 | 0.66 | 0.73 | 2.95 | |
| 3 | 2.2 | 143/5JP | 4.47 | J | 8.0 | 2.3 | 3.0 | 0.1279 | 9 | 20 | 39.9 | 62.0 | 1.15 | 3480 | 84.0 | 85.5 | 85.5 | 0.76 | 0.86 | 0.90 | 3.59 | |
| | | 182/4JP | 8.81 | K | 8.4 | 2.2 | 3.3 | 0.3092 | 15 | 33 | 65.9 | 55.0 | 1.15 | 1765 | 87.5 | 88.5 | 89.5 | 0.60 | 0.73 | 0.80 | 3.86 | |
| | | 213/5JP | 13.2 | H | 5.9 | 2.1 | 2.6 | 0.8104 | 39 | 86 | 98.3 | 55.0 | 1.15 | 1175 | 86.5 | 87.5 | 88.5 | 0.56 | 0.68 | 0.75 | 4.16 | |
| 5 | 3.7 | 182/4JP | 7.38 | J | 7.6 | 1.9 | 3.0 | 0.1386 | 12 | 26 | 58.7 | 65.0 | 1.15 | 3510 | 85.5 | 86.5 | 86.5 | 0.73 | 0.83 | 0.88 | 6.10 | |
| | | 182/4JP | 14.7 | J | 7.2 | 2.0 | 3.1 | 0.4003 | 12 | 26 | 79.8 | 55.0 | 1.15 | 1760 | 88.5 | 88.5 | 89.5 | 0.63 | 0.76 | 0.82 | 6.33 | |
| | | 213/5JP | 22.0 | H | 5.9 | 2.2 | 2.5 | 1.08 | 29 | 64 | 118 | 55.0 | 1.15 | 1175 | 88.5 | 89.5 | 89.5 | 0.58 | 0.70 | 0.77 | 6.74 | |
| 7.5 | 5.5 | 182/4JP | 11.1 | H | 7.4 | 1.8 | 2.9 | 0.1818 | 10 | 22 | 69.9 | 65.0 | 1.15 | 3500 | 88.5 | 88.5 | 88.5 | 0.76 | 0.85 | 0.90 | 8.67 | |
| | | 213/5JP | 22.0 | H | 7.2 | 2.4 | 3.2 | 1.03 | 13 | 29 | 116 | 59.0 | 1.15 | 1770 | 89.5 | 90.2 | 91.0 | 0.65 | 0.77 | 0.82 | 9.25 | |
| | | 254/6JP | 33.1 | F | 5.1 | 2.0 | 2.3 | 2.00 | 37 | 81 | 187 | 59.0 | 1.15 | 1175 | 88.5 | 90.2 | 90.2 | 0.56 | 0.68 | 0.75 | 10.2 | |
| 10 | 7.5 | 213/5JP | 14.7 | H | 6.8 | 2.0 | 2.8 | 0.4651 | 11 | 24 | 117 | 66.0 | 1.15 | 3535 | 88.5 | 89.5 | 89.5 | 0.74 | 0.84 | 0.88 | 12.0 | |
| | | 213/5JP | 29.3 | H | 7.0 | 2.5 | 3.5 | 1.30 | 14 | 31 | 137 | 59.0 | 1.15 | 1770 | 90.2 | 91.0 | 91.7 | 0.64 | 0.77 | 0.83 | 12.4 | |
| | | 254/6JP | 43.9 | G | 5.3 | 2.1 | 2.3 | 2.50 | 34 | 75 | 209 | 59.0 | 1.15 | 1180 | 91.0 | 91.7 | 91.7 | 0.56 | 0.68 | 0.74 | 13.9 | |
| 15 | 11 | 213/5JP | 22.0 | G | 6.8 | 2.1 | 2.8 | 0.5512 | 8 | 18 | 131 | 66.0 | 1.15 | 3535 | 90.2 | 90.2 | 90.2 | 0.77 | 0.86 | 0.89 | 17.2 | |
| | | 254/6JP | 43.8 | H | 6.7 | 2.4 | 3.0 | 1.82 | 17 | 37 | 175 | 64.0 | 1.15 | 1775 | 91.7 | 92.4 | 93.0 | 0.62 | 0.73 | 0.80 | 18.6 | |
| 20 | 15 | 254/6JP | 29.4 | G | 6.0 | 1.8 | 2.4 | 0.7848 | 13 | 29 | 151 | 70.0 | 1.15 | 3525 | 90.2 | 91.0 | 91.0 | 0.76 | 0.83 | 0.87 | 23.8 | |
| | | 254/6JP | 58.5 | G | 6.3 | 2.4 | 2.9 | 2.23 | 15 | 33 | 198 | 64.0 | 1.15 | 1770 | 92.4 | 92.4 | 93.0 | 0.63 | 0.74 | 0.81 | 25.0 | |
| 25 | 18.5 | 254/6JP | 36.7 | G | 6.3 | 1.8 | 2.9 | 0.9155 | 9 | 20 | 174 | 70.0 | 1.15 | 3530 | 91.0 | 91.7 | 91.7 | 0.73 | 0.83 | 0.87 | 29.1 | |

Close-Coupled Pump - JP - Three Phase - ODP - Cast Iron

| Output | | Frame | Full Load Torque (ft.lb) | Locked Rotor Current | | Locked Rotor Torque Tl/Tn | Break-down Torque Tb/Tn | Inertia J (lb-ft ²) | Allowable locked rotor time (s) | | Weight (lb) | Sound dB(A) | Service Factor | 460 V | | | | | | | Full load current In (A) |
|--------|------|---------|--------------------------|----------------------|------|---------------------------|-------------------------|---------------------------------|---------------------------------|----|-------------|-------------|----------------|-------------------|----------------|------|------|--------------|------|------|--------------------------|
| | | | | | | | | | | | | | | Rated speed (rpm) | % of full load | | | | | | |
| | | | | | | | | | | | | | | | Efficiency | | | Power Factor | | | |
| | | | | | | | | | | | | | | | 50 | 75 | 100 | 50 | 75 | 100 | |
| HP | kW | Code | II/In | Hot | Cold | | | | | | | | | | | | | | | | |
| 7.5 | 5.5 | 254JP | 32.9 | H | 6.7 | 2.6 | 3.0 | 2.29 | 16 | 35 | 240 | 59.0 | 1.25 | 1180 | 87.5 | 89.5 | 90.2 | 0.58 | 0.70 | 0.77 | 9.94 |
| 10 | 7.5 | 254/6JP | 43.9 | H | 6.8 | 2.3 | 3.0 | 3.53 | 17 | 37 | 300 | 59.0 | 1.25 | 1180 | 90.2 | 91.0 | 91.7 | 0.62 | 0.74 | 0.80 | 12.8 |
| 15 | 11 | 254JP | 43.9 | G | 6.4 | 2.4 | 2.8 | 2.72 | 17 | 37 | 289 | 62.0 | 1.25 | 1770 | 91.7 | 92.4 | 93.0 | 0.66 | 0.78 | 0.85 | 17.5 |
| | | 284JP | 65.9 | G | 6.3 | 2.6 | 2.6 | 4.80 | 16 | 35 | 337 | 59.0 | 1.25 | 1180 | 91.0 | 91.7 | 91.7 | 0.67 | 0.77 | 0.82 | 18.4 |
| 20 | 15 | 254JP | 29.3 | G | 6.3 | 2.0 | 2.8 | 0.8718 | 12 | 26 | 240 | --- | 1.25 | 3535 | 90.2 | 91.0 | 91.0 | 0.72 | 0.82 | 0.85 | 24.3 |
| | | 254/6JP | 58.7 | G | 6.4 | 2.2 | 2.8 | 3.13 | 12 | 26 | 320 | 62.0 | 1.25 | 1765 | 92.4 | 93.0 | 93.0 | 0.69 | 0.79 | 0.84 | 24.1 |
| | | 284/6JP | 88.0 | G | 6.4 | 2.3 | 2.6 | 6.89 | 15 | 33 | 410 | 59.0 | 1.25 | 1177 | 91.7 | 92.4 | 92.4 | 0.71 | 0.80 | 0.84 | 24.3 |
| 25 | 18.5 | 254/6JP | 36.6 | G | 6.5 | 2.0 | 2.8 | 1.13 | 11 | 24 | 276 | --- | 1.25 | 3535 | 91.0 | 91.7 | 91.7 | 0.77 | 0.85 | 0.88 | 28.8 |
| | | 284JP | 73.2 | G | 6.6 | 2.7 | 2.8 | 3.71 | 17 | 37 | 370 | 64.0 | 1.25 | 1770 | 93.0 | 93.6 | 93.6 | 0.69 | 0.80 | 0.84 | 29.5 |
| | | 324JP | 109 | G | 6.2 | 2.1 | 2.5 | 7.69 | 18 | 40 | 474 | 62.0 | 1.25 | 1183 | 91.7 | 92.4 | 93.0 | 0.65 | 0.76 | 0.81 | 30.8 |
| 30 | 22 | 284JP | 43.8 | G | 6.3 | 1.8 | 2.8 | 1.59 | 10 | 22 | 324 | 73.0 | 1.25 | 3545 | 90.2 | 91.7 | 91.7 | 0.73 | 0.82 | 0.86 | 35.0 |
| | | 284/6JP | 87.8 | G | 6.6 | 2.8 | 2.8 | 4.52 | 18 | 40 | 421 | 64.0 | 1.25 | 1770 | 93.6 | 94.1 | 94.1 | 0.70 | 0.80 | 0.84 | 34.9 |
| | | 324/6JP | 131 | G | 6.3 | 2.0 | 2.4 | 9.56 | 17 | 37 | 545 | 62.0 | 1.25 | 1182 | 92.4 | 93.0 | 93.6 | 0.70 | 0.79 | 0.82 | 36.0 |
| 40 | 30 | 284/6JP | 58.5 | G | 6.5 | 1.9 | 2.6 | 2.02 | 8 | 18 | 370 | 73.0 | 1.25 | 3540 | 91.7 | 92.4 | 92.4 | 0.76 | 0.84 | 0.87 | 46.8 |
| | | 324JP | 117 | G | 6.2 | 2.0 | 2.4 | 5.69 | 13 | 29 | 472 | 66.0 | 1.25 | 1775 | 93.6 | 94.1 | 94.1 | 0.70 | 0.80 | 0.84 | 47.6 |
| | | 364/5JP | 175 | G | 6.4 | 2.0 | 2.3 | 21.8 | 22 | 48 | 787 | 68.0 | 1.25 | 1185 | 93.6 | 94.1 | 94.1 | 0.74 | 0.82 | 0.85 | 47.1 |
| 50 | 37 | 324JP | 72.8 | G | 6.3 | 2.0 | 2.2 | 3.02 | 14 | 31 | 450 | 75.0 | 1.25 | 3560 | 91.7 | 93.0 | 93.0 | 0.73 | 0.82 | 0.85 | 58.7 |
| | | 324/6JP | 146 | G | 6.3 | 2.4 | 2.4 | 7.08 | 11 | 24 | 542 | 66.0 | 1.25 | 1775 | 94.1 | 94.5 | 94.5 | 0.70 | 0.80 | 0.84 | 58.5 |
| | | 364/5JP | 219 | G | 6.7 | 2.2 | 2.4 | 23.9 | 15 | 33 | 820 | 68.0 | 1.25 | 1185 | 93.6 | 94.1 | 94.1 | 0.74 | 0.82 | 0.85 | 58.1 |
| 60 | 45 | 324/6JP | 87.3 | G | 6.3 | 2.2 | 2.3 | 3.82 | 12 | 26 | 514 | 75.0 | 1.25 | 3560 | 92.4 | 93.0 | 93.6 | 0.73 | 0.82 | 0.85 | 71.0 |
| | | 364/5JP | 175 | G | 6.5 | 2.0 | 2.4 | 15.6 | 19 | 42 | 785 | 69.0 | 1.25 | 1780 | 94.5 | 95.0 | 95.0 | 0.73 | 0.82 | 0.85 | 69.9 |
| | | 404/5JP | 262 | G | 6.7 | 2.4 | 2.5 | 29.4 | 16 | 35 | 975 | 68.0 | 1.25 | 1185 | 91.7 | 94.5 | 94.5 | 0.73 | 0.82 | 0.85 | 70.3 |
| 75 | 55 | 364/5JP | 109 | G | 6.6 | 2.0 | 2.5 | 6.40 | 19 | 42 | 736 | 84.0 | 1.25 | 3560 | 91.7 | 93.0 | 93.6 | 0.77 | 0.84 | 0.87 | 84.8 |
| | | 364/5JP | 218 | G | 6.8 | 2.2 | 2.6 | 16.8 | 14 | 31 | 811 | 69.0 | 1.25 | 1780 | 94.5 | 95.0 | 95.0 | 0.73 | 0.82 | 0.85 | 85.5 |
| | | 404/5JP | 328 | G | 6.7 | 2.4 | 2.7 | 31.6 | 11 | 24 | 1008 | 68.0 | 1.25 | 1185 | 94.1 | 94.5 | 94.5 | 0.72 | 0.81 | 0.85 | 85.9 |
| 100 | 75 | 364/5JP | 146 | G | 6.6 | 1.8 | 2.3 | 7.20 | 13 | 29 | 774 | 84.0 | 1.25 | 3555 | 92.4 | 93.6 | 93.6 | 0.77 | 0.84 | 0.87 | 116 |
| | | 404/5JP | 291 | G | 6.8 | 2.0 | 2.5 | 21.9 | 12 | 26 | 992 | 69.0 | 1.25 | 1780 | 95.0 | 95.4 | 95.4 | 0.75 | 0.83 | 0.86 | 115 |
| 125 | 90 | 404/5JP | 182 | G | 6.8 | 1.7 | 2.6 | 8.23 | 12 | 26 | 886 | 84.0 | 1.25 | 3557 | 93.0 | 94.1 | 94.1 | 0.79 | 0.86 | 0.88 | 136 |
| | | 404/5JP | 364 | G | 6.9 | 2.7 | 2.6 | 25.5 | 10 | 22 | 1072 | 69.0 | 1.25 | 1780 | 95.0 | 95.4 | 95.4 | 0.75 | 0.83 | 0.86 | 138 |
| 150 | 110 | 404/5JP | 219 | G | 6.6 | 2.0 | 2.5 | 8.80 | 9 | 20 | 931 | 84.0 | 1.25 | 3552 | 93.6 | 94.1 | 94.1 | 0.79 | 0.86 | 0.88 | 167 |

W40 - Fire Pump - Three Phase - ODP - High Efficiency

| Output | | Frame | Full Load Torque (ft.lb) | Locked Rotor Current | | Locked Rotor Torque Tl/Tn | Break-down Torque Tb/Tn | Inertia J (lb-ft ²) | Allowable locked rotor time (s) | | Weight (lb) | Sound dB(A) | Service Factor | 460 V | | | | | | | | |
|--------|------|---------|--------------------------|----------------------|------|---------------------------|-------------------------|---------------------------------|---------------------------------|------|-------------|-------------|----------------|-------------------|----------------|------|------|--------------|------|------|--------------------------|--|
| | | | | Code | ll/n | | | | Hot | Cold | | | | Rated speed (rpm) | % of full load | | | | | | Full load current In (A) | |
| | | | | | | | | | | | | | | | Efficiency | | | Power Factor | | | | |
| | | | | | | | | | | | | | | | 50 | 75 | 100 | 50 | 75 | 100 | | |
| 7.5 | 5.5 | 254T | 33.0 | H | 6.4 | 2.0 | 2.5 | 2.29 | 25 | 55 | 240 | --- | 1.15 | 1178 | 86.5 | 88.5 | 88.5 | 0.64 | 0.75 | 0.81 | 9.63 | |
| 10 | 7.5 | 254/6T | 44.1 | H | 6.3 | 2.3 | 2.6 | 3.12 | 24 | 53 | 284 | --- | 1.15 | 1175 | 87.5 | 89.5 | 90.2 | 0.65 | 0.76 | 0.82 | 12.7 | |
| 15 | 11 | 254T | 44.0 | G | 6.1 | 2.0 | 2.5 | 2.14 | 18 | 40 | 258 | --- | 1.15 | 1765 | 89.5 | 91.0 | 91.0 | 0.67 | 0.78 | 0.83 | 18.3 | |
| | | 284T | 66.1 | G | 6.2 | 2.2 | 2.3 | 4.48 | 23 | 51 | 326 | --- | 1.15 | 1175 | 89.5 | 90.2 | 90.2 | 0.71 | 0.81 | 0.85 | 18.0 | |
| 20 | 15 | 254T | 29.4 | G | 5.9 | 1.7 | 2.4 | 0.8718 | 16 | 35 | 238 | --- | 1.15 | 3530 | 89.5 | 90.2 | 90.2 | 0.77 | 0.85 | 0.86 | 24.3 | |
| | | 254/6T | 58.9 | G | 5.8 | 2.3 | 2.7 | 2.63 | 13 | 29 | 293 | --- | 1.15 | 1760 | 90.2 | 91.0 | 91.0 | 0.70 | 0.80 | 0.84 | 24.6 | |
| | | 284/6T | 88.2 | G | 5.8 | 2.5 | 2.3 | 5.45 | 17 | 37 | 366 | --- | 1.15 | 1175 | 90.2 | 91.0 | 91.0 | 0.71 | 0.81 | 0.84 | 24.6 | |
| 25 | 18.5 | 254/6T | 36.7 | G | 6.1 | 1.9 | 2.6 | 0.9592 | 15 | 33 | 260 | --- | 1.15 | 3530 | 89.5 | 91.0 | 91.0 | 0.72 | 0.82 | 0.86 | 29.7 | |
| | | 284T | 73.4 | G | 6.0 | 2.3 | 2.3 | 2.88 | 23 | 51 | 331 | --- | 1.15 | 1765 | 91.0 | 91.7 | 91.7 | 0.68 | 0.79 | 0.84 | 30.1 | |
| | | 324T | 110 | G | 5.9 | 1.8 | 2.2 | 6.66 | 20 | 44 | 445 | --- | 1.15 | 1180 | 91.0 | 91.7 | 91.7 | 0.67 | 0.77 | 0.82 | 30.9 | |
| 30 | 22 | 284TS | 43.9 | G | 6.2 | 1.7 | 2.6 | 1.59 | 16 | 35 | 324 | --- | 1.15 | 3540 | 90.2 | 91.0 | 91.0 | 0.74 | 0.83 | 0.87 | 34.9 | |
| | | 284/6T | 88.1 | G | 6.3 | 2.5 | 2.5 | 3.70 | 22 | 48 | 381 | --- | 1.15 | 1765 | 91.7 | 92.4 | 92.4 | 0.71 | 0.80 | 0.84 | 35.6 | |
| | | 324/6T | 132 | G | 6.0 | 1.8 | 2.2 | 7.50 | 16 | 35 | 485 | --- | 1.15 | 1180 | 91.0 | 91.7 | 92.4 | 0.67 | 0.77 | 0.82 | 36.4 | |
| 40 | 30 | 284/6TS | 58.6 | G | 6.1 | 1.7 | 2.5 | 1.91 | 10 | 22 | 359 | --- | 1.15 | 3535 | 91.0 | 91.7 | 91.7 | 0.78 | 0.86 | 0.87 | 47.2 | |
| | | 324T | 117 | G | 6.0 | 1.8 | 2.1 | 5.37 | 20 | 44 | 459 | --- | 1.15 | 1775 | 92.4 | 93.0 | 93.0 | 0.72 | 0.81 | 0.84 | 48.2 | |
| | | 364/5T | 175 | G | 6.1 | 1.5 | 2.0 | 18.5 | 28 | 62 | 736 | --- | 1.15 | 1185 | 92.4 | 93.0 | 93.0 | 0.76 | 0.84 | 0.86 | 47.1 | |
| 50 | 37 | 324TS | 72.9 | F | 5.8 | 1.7 | 2.0 | 3.01 | 20 | 44 | 450 | --- | 1.15 | 3555 | 91.7 | 92.4 | 92.4 | 0.78 | 0.84 | 0.86 | 58.4 | |
| | | 324/6T | 146 | G | 6.0 | 2.4 | 2.3 | 5.98 | 15 | 33 | 498 | --- | 1.15 | 1775 | 92.4 | 93.0 | 93.0 | 0.67 | 0.78 | 0.83 | 60.2 | |
| | | 364/5T | 219 | G | 6.2 | 2.0 | 2.1 | 20.7 | 20 | 44 | 770 | --- | 1.15 | 1185 | 92.4 | 93.0 | 93.0 | 0.76 | 0.84 | 0.86 | 58.1 | |
| 60 | 45 | 324/6TS | 87.4 | F | 5.9 | 1.8 | 2.0 | 3.41 | 17 | 37 | 490 | --- | 1.15 | 3555 | 92.4 | 93.0 | 93.0 | 0.78 | 0.84 | 0.86 | 70.6 | |
| | | 364/5T | 175 | G | 6.1 | 1.8 | 2.3 | 12.8 | 22 | 48 | 723 | --- | 1.15 | 1777 | 93.0 | 93.6 | 93.6 | 0.73 | 0.82 | 0.85 | 71.0 | |
| | | 404/5T | 263 | G | 6.1 | 1.9 | 2.0 | 25.0 | 17 | 37 | 904 | --- | 1.15 | 1180 | 93.0 | 93.6 | 93.6 | 0.78 | 0.85 | 0.86 | 70.2 | |
| 75 | 55 | 364/5TS | 109 | F | 5.8 | 1.6 | 2.1 | 5.60 | 26 | 57 | 703 | --- | 1.15 | 3555 | 91.0 | 92.4 | 93.0 | 0.80 | 0.85 | 0.87 | 85.3 | |
| | | 364/5T | 219 | G | 6.3 | 1.8 | 2.3 | 15.2 | 19 | 42 | 774 | --- | 1.15 | 1775 | 93.6 | 94.1 | 94.1 | 0.75 | 0.83 | 0.86 | 85.3 | |
| | | 404/5T | 329 | G | 6.3 | 1.8 | 2.1 | 27.2 | 14 | 31 | 939 | --- | 1.15 | 1180 | 93.0 | 93.6 | 93.6 | 0.76 | 0.82 | 0.86 | 85.8 | |
| 100 | 75 | 364/5TS | 146 | F | 5.7 | 1.7 | 2.3 | 6.80 | 15 | 33 | 756 | --- | 1.15 | 3550 | 92.4 | 93.0 | 93.0 | 0.80 | 0.85 | 0.88 | 115 | |
| | | 404/5T | 292 | G | 6.2 | 2.2 | 2.5 | 17.5 | 14 | 31 | 895 | --- | 1.15 | 1775 | 93.6 | 94.1 | 94.1 | 0.76 | 0.84 | 0.86 | 116 | |
| | | 444/5T | 436 | G | 5.8 | 2.0 | 2.2 | 60.6 | 24 | 53 | 1358 | --- | 1.15 | 1187 | 93.6 | 94.1 | 94.1 | 0.66 | 0.77 | 0.81 | 124 | |
| 125 | 90 | 404/5TS | 183 | G | 6.6 | 1.8 | 2.3 | 8.03 | 15 | 33 | 878 | 84.0 | 1.15 | 3545 | 93.0 | 93.6 | 93.6 | 0.80 | 0.86 | 0.88 | 137 | |
| | | 404/5T | 365 | G | 6.5 | 2.1 | 2.3 | 21.5 | 12 | 26 | 983 | --- | 1.15 | 1775 | 94.1 | 94.5 | 94.5 | 0.76 | 0.84 | 0.86 | 139 | |
| | | 444/5T | 547 | G | 6.1 | 1.7 | 2.3 | 63.2 | 16 | 35 | 1387 | --- | 1.15 | 1185 | 93.0 | 94.1 | 94.1 | 0.65 | 0.76 | 0.81 | 148 | |
| 150 | 110 | 404/5TS | 219 | G | 6.6 | 1.7 | 2.2 | 9.20 | 11 | 24 | 931 | --- | 1.15 | 3550 | 93.0 | 93.6 | 93.6 | 0.84 | 0.89 | 0.90 | 164 | |
| | | 444/5T | 437 | G | 6.4 | 1.9 | 2.0 | 42.3 | 20 | 44 | 1365 | --- | 1.15 | 1780 | 94.5 | 95.0 | 95.0 | 0.77 | 0.84 | 0.86 | 169 | |
| | | 444/5T | 656 | G | 6.0 | 1.7 | 2.2 | 76.4 | 15 | 33 | 1530 | --- | 1.15 | 1185 | 93.6 | 94.5 | 94.5 | 0.67 | 0.77 | 0.81 | 180 | |
| 200 | 150 | 444/5TS | 291 | F | 5.8 | 1.4 | 2.1 | 21.8 | 27 | 59 | 1341 | --- | 1.15 | 3565 | 93.0 | 94.1 | 94.5 | 0.82 | 0.87 | 0.89 | 224 | |
| | | 444/5T | 582 | G | 6.2 | 1.8 | 2.1 | 42.3 | 20 | 44 | 1365 | --- | 1.15 | 1780 | 94.5 | 95.0 | 95.0 | 0.77 | 0.83 | 0.86 | 230 | |
| 250 | 185 | 444/5TS | 363 | G | 6.4 | 1.3 | 2.2 | 23.8 | 20 | 44 | 1405 | --- | 1.15 | 3570 | 93.6 | 94.5 | 94.5 | 0.77 | 0.84 | 0.87 | 282 | |
| | | 444/5T | 728 | G | 6.4 | 1.9 | 2.2 | 51.5 | 17 | 37 | 1513 | --- | 1.15 | 1780 | 95.0 | 95.4 | 95.4 | 0.77 | 0.84 | 0.86 | 283 | |
| 300 | 220 | 444/5TS | 437 | F | 5.9 | 1.3 | 2.0 | 28.1 | 16 | 35 | 1524 | --- | 1.15 | 3560 | 94.1 | 94.5 | 95.0 | 0.85 | 0.89 | 0.89 | 327 | |
| | | 447/9T | 873 | F | 6.0 | 2.2 | 2.3 | 56.1 | 10 | 22 | 2150 | 78.0 | 1.15 | 1780 | 95.4 | 95.4 | 95.5 | 0.78 | 0.84 | 0.86 | 336 | |

continued on next page

W40 - Fire Pump - Three Phase - ODP - High Efficiency - *continued*

| Output | | Frame | Full Load Torque (ft.lb) | Locked Rotor Current | | Locked Rotor Torque Tl/Tn | Break-down Torque Tb/Tn | Inertia J (lb-ft ²) | Allowable locked rotor time (s) | | Weight (lb) | Sound dB(A) | Service Factor | 460 V | | | | | | | |
|--------|-----|---------|-----------------------------|----------------------|------|---------------------------|-------------------------|---------------------------------|---------------------------------|----|-------------|-------------|----------------|-------------------|----------------|------|------|--------------|------|------|--------------------------|
| | | | | | | | | | | | | | | Rated speed (rpm) | % of full load | | | | | | Full load current In (A) |
| | | | | | | | | | | | | | | | Efficiency | | | Power Factor | | | |
| | | | | | | | | | | | | | | | 50 | 75 | 100 | 50 | 75 | 100 | |
| HP | KW | Code | II/In | Hot | Cold | | | | | | | | | | | | | | | | |
| 350 | 260 | 447/9TS | 509 | G | 6.5 | 1.7 | 2.5 | 35.7 | 14 | 31 | 1874 | 87.0 | 1.15 | 3565 | 94.5 | 95.0 | 95.0 | 0.83 | 0.88 | 0.89 | 386 |
| | | 447/9T | 1019 | F | 6.0 | 2.4 | 2.6 | 66.1 | 10 | 22 | 2370 | 78.0 | 1.15 | 1780 | 95.4 | 95.8 | 95.5 | 0.79 | 0.85 | 0.87 | 393 |
| 400 | 300 | 447/9TS | 581 | F | 6.0 | 1.5 | 2.3 | 39.1 | 14 | 31 | 1951 | 87.0 | 1.15 | 3565 | 95.0 | 95.4 | 95.4 | 0.83 | 0.88 | 0.89 | 443 |
| | | 447/9T | 1164 | H | 7.7 | 2.6 | 2.7 | 77.6 | 9 | 20 | 2591 | 78.0 | 1.15 | 1780 | 95.8 | 95.8 | 95.5 | 0.81 | 0.87 | 0.89 | 443 |
| 450 | 330 | 447/9TS | 654 | F | 6.0 | 1.6 | 2.2 | 43.6 | 14 | 31 | 2139 | 87.0 | 1.15 | 3565 | 95.0 | 95.4 | 95.8 | 0.84 | 0.89 | 0.90 | 480 |
| 500 | 370 | 447/9TS | 727 | F | 6.0 | 1.6 | 2.3 | 46.9 | 14 | 31 | 2194 | 87.0 | 1.15 | 3565 | 95.0 | 95.4 | 95.8 | 0.84 | 0.89 | 0.90 | 539 |

W40 - Fire Pump - JM - Three Phase - ODP - Cast Iron - High Efficiency

| Output | | Frame | Full Load Torque (ft.lb) | Locked Rotor Current | | Locked Rotor Torque Tl/Tn | Break-down Torque Tl/Tn | Inertia J (lb-ft ²) | Allowable locked rotor time (s) | | Weight (lb) | Sound dB(A) | Service Factor | 460 V | | | | | | | | Full load current In (A) |
|--------|------|---------|-----------------------------|----------------------|-------|---------------------------|-------------------------|---------------------------------|---------------------------------|------|-------------|-------------|----------------|-------------------|----------------|------|------|--------------|------|------|------|--------------------------|
| | | | | Code | ll/In | | | | Hot | Cold | | | | Rated speed (rpm) | % of full load | | | | | | | |
| | | | | | | | | | | | | | | | Efficiency | | | Power Factor | | | | |
| | | | | | | | | | | | | | | | 50 | 75 | 100 | 50 | 75 | 100 | | |
| 7.5 | 5.5 | 254JM | 33.0 | H | 6.4 | 2.0 | 2.5 | 2.29 | 25 | 55 | 240 | --- | 1.15 | 1178 | 86.5 | 88.5 | 88.5 | 0.64 | 0.75 | 0.81 | 9.63 | |
| 10 | 7.5 | 254/6JM | 44.1 | H | 6.3 | 2.3 | 2.6 | 3.12 | 24 | 53 | 284 | --- | 1.15 | 1175 | 87.5 | 89.5 | 90.2 | 0.65 | 0.76 | 0.82 | 12.7 | |
| 15 | 11 | 254JM | 44.0 | G | 6.1 | 2.0 | 2.5 | 2.14 | 18 | 40 | 258 | --- | 1.15 | 1765 | 89.5 | 91.0 | 91.0 | 0.67 | 0.78 | 0.83 | 18.3 | |
| | | 284JM | 66.1 | G | 6.2 | 2.2 | 2.3 | 4.48 | 23 | 51 | 326 | --- | 1.15 | 1175 | 89.5 | 90.2 | 90.2 | 0.71 | 0.81 | 0.85 | 18.0 | |
| 20 | 15 | 254JM | 29.4 | G | 5.9 | 1.7 | 2.4 | 0.8718 | 16 | 35 | 238 | --- | 1.15 | 3530 | 89.5 | 90.2 | 90.2 | 0.77 | 0.85 | 0.86 | 24.3 | |
| | | 254/6JM | 58.9 | G | 5.8 | 2.3 | 2.7 | 2.63 | 13 | 29 | 293 | --- | 1.15 | 1760 | 90.2 | 91.0 | 91.0 | 0.70 | 0.80 | 0.84 | 24.6 | |
| | | 284/6JM | 88.2 | G | 5.8 | 2.5 | 2.3 | 5.45 | 17 | 37 | 366 | --- | 1.15 | 1175 | 90.2 | 91.0 | 91.0 | 0.71 | 0.81 | 0.84 | 24.6 | |
| 25 | 18.5 | 254/6JM | 36.7 | G | 6.1 | 1.9 | 2.6 | 0.9592 | 15 | 33 | 260 | --- | 1.15 | 3530 | 89.5 | 91.0 | 91.0 | 0.72 | 0.82 | 0.86 | 29.7 | |
| | | 284JM | 73.4 | G | 6.0 | 2.3 | 2.3 | 2.88 | 23 | 51 | 331 | --- | 1.15 | 1765 | 91.0 | 91.7 | 91.7 | 0.68 | 0.79 | 0.84 | 30.1 | |
| | | 324JM | 110 | G | 5.9 | 1.8 | 2.2 | 6.66 | 20 | 44 | 445 | --- | 1.15 | 1180 | 91.0 | 91.7 | 91.7 | 0.67 | 0.77 | 0.82 | 30.9 | |
| 30 | 22 | 284JM | 43.9 | G | 6.2 | 1.7 | 2.6 | 1.59 | 16 | 35 | 324 | --- | 1.15 | 3540 | 90.2 | 91.0 | 91.0 | 0.74 | 0.83 | 0.87 | 34.9 | |
| | | 284/6JM | 88.1 | G | 6.3 | 2.5 | 2.5 | 3.70 | 22 | 48 | 381 | --- | 1.15 | 1765 | 91.7 | 92.4 | 92.4 | 0.71 | 0.80 | 0.84 | 35.6 | |
| | | 324/6JM | 132 | G | 6.0 | 1.8 | 2.2 | 7.50 | 16 | 35 | 485 | --- | 1.15 | 1180 | 91.0 | 91.7 | 92.4 | 0.67 | 0.77 | 0.82 | 36.4 | |
| 40 | 30 | 284/6JM | 58.6 | G | 6.1 | 1.7 | 2.5 | 1.91 | 10 | 22 | 359 | --- | 1.15 | 3535 | 91.0 | 91.7 | 91.7 | 0.78 | 0.86 | 0.87 | 47.2 | |
| | | 324JM | 117 | G | 6.0 | 1.8 | 2.1 | 5.37 | 20 | 44 | 459 | --- | 1.15 | 1775 | 92.4 | 93.0 | 93.0 | 0.72 | 0.81 | 0.84 | 48.2 | |
| | | 364/5JM | 175 | G | 6.1 | 1.5 | 2.0 | 18.5 | 28 | 62 | 736 | --- | 1.15 | 1185 | 92.4 | 93.0 | 93.0 | 0.76 | 0.84 | 0.86 | 47.1 | |
| 50 | 37 | 324JM | 72.9 | F | 5.8 | 1.7 | 2.0 | 3.01 | 20 | 44 | 450 | --- | 1.15 | 3555 | 91.7 | 92.4 | 92.4 | 0.78 | 0.84 | 0.86 | 58.4 | |
| | | 324/6JM | 146 | G | 6.0 | 2.4 | 2.3 | 5.98 | 15 | 33 | 498 | --- | 1.15 | 1775 | 92.4 | 93.0 | 93.0 | 0.67 | 0.78 | 0.83 | 60.2 | |
| | | 364/5JM | 219 | G | 6.2 | 2.0 | 2.1 | 20.7 | 20 | 44 | 770 | --- | 1.15 | 1185 | 92.4 | 93.0 | 93.0 | 0.76 | 0.84 | 0.86 | 58.1 | |
| 60 | 45 | 324/6JM | 87.4 | F | 5.9 | 1.8 | 2.0 | 3.41 | 17 | 37 | 490 | --- | 1.15 | 3555 | 92.4 | 93.0 | 93.0 | 0.78 | 0.84 | 0.86 | 70.6 | |
| | | 364/5JM | 175 | G | 6.1 | 1.8 | 2.3 | 12.8 | 22 | 48 | 723 | --- | 1.15 | 1777 | 93.0 | 93.6 | 93.6 | 0.73 | 0.82 | 0.85 | 71.0 | |
| 75 | 55 | 364/5JM | 109 | F | 5.8 | 1.6 | 2.1 | 5.60 | 26 | 57 | 703 | --- | 1.15 | 3555 | 91.0 | 92.4 | 93.0 | 0.80 | 0.85 | 0.87 | 85.3 | |
| | | 364/5JM | 219 | G | 6.3 | 1.8 | 2.3 | 15.2 | 19 | 42 | 774 | --- | 1.15 | 1775 | 93.6 | 94.1 | 94.1 | 0.75 | 0.83 | 0.86 | 85.3 | |
| 100 | 75 | 364/5JM | 146 | F | 5.7 | 1.7 | 2.3 | 6.80 | 15 | 33 | 756 | --- | 1.15 | 3550 | 92.4 | 93.0 | 93.0 | 0.80 | 0.85 | 0.88 | 115 | |

W40 - Fire Pump - JP - Three Phase - ODP - Cast Iron - High Efficiency

| Output | | Frame | Full Load Torque (ft.lb) | Locked Rotor Current | | Locked Rotor Torque Tl/Tn | Break-down Torque Tb/Tn | Inertia J (lb-ft ²) | Allowable locked rotor time (s) | | Weight (lb) | Sound dB(A) | Service Factor | 460 V | | | | | | | Full load current In (A) |
|--------|------|---------|-----------------------------|----------------------|------|---------------------------|-------------------------|---------------------------------|---------------------------------|----|-------------|-------------|----------------|-------------------|----------------|------|------|--------------|------|------|--------------------------|
| | | | | | | | | | | | | | | Rated speed (rpm) | % of full load | | | | | | |
| | | | | | | | | | | | | | | | Efficiency | | | Power Factor | | | |
| | | | | | | | | | | | | | | | 50 | 75 | 100 | 50 | 75 | 100 | |
| HP | kW | Code | II/In | Hot | Cold | | | | | | | | | | | | | | | | |
| 7.5 | 5.5 | 254JP | 33.0 | H | 6.4 | 2.0 | 2.5 | 2.29 | 25 | 55 | 240 | --- | 1.15 | 1178 | 86.5 | 88.5 | 88.5 | 0.64 | 0.75 | 0.81 | 9.63 |
| 10 | 7.5 | 254/6JP | 44.1 | H | 6.3 | 2.3 | 2.6 | 3.12 | 24 | 53 | 284 | --- | 1.15 | 1175 | 87.5 | 89.5 | 90.2 | 0.65 | 0.76 | 0.82 | 12.7 |
| 15 | 11 | 254JP | 44.0 | G | 6.1 | 2.0 | 2.5 | 2.14 | 18 | 40 | 258 | --- | 1.15 | 1765 | 89.5 | 91.0 | 91.0 | 0.67 | 0.78 | 0.83 | 18.3 |
| | | 284JP | 66.1 | G | 6.2 | 2.2 | 2.3 | 4.48 | 23 | 51 | 326 | --- | 1.15 | 1175 | 89.5 | 90.2 | 90.2 | 0.71 | 0.81 | 0.85 | 18.0 |
| 20 | 15 | 254JP | 29.4 | G | 5.9 | 1.7 | 2.4 | 0.8718 | 16 | 35 | 238 | --- | 1.15 | 3530 | 89.5 | 90.2 | 90.2 | 0.77 | 0.85 | 0.86 | 24.3 |
| | | 254/6JP | 58.9 | G | 5.8 | 2.3 | 2.7 | 2.63 | 13 | 29 | 293 | --- | 1.15 | 1760 | 90.2 | 91.0 | 91.0 | 0.70 | 0.80 | 0.84 | 24.6 |
| | | 284/6JP | 88.2 | G | 5.8 | 2.5 | 2.3 | 5.45 | 17 | 37 | 366 | --- | 1.15 | 1175 | 90.2 | 91.0 | 91.0 | 0.71 | 0.81 | 0.84 | 24.6 |
| 25 | 18.5 | 254/6JP | 36.7 | G | 6.1 | 1.9 | 2.6 | 0.9592 | 15 | 33 | 260 | --- | 1.15 | 3530 | 89.5 | 91.0 | 91.0 | 0.72 | 0.82 | 0.86 | 29.7 |
| | | 284JP | 73.4 | G | 6.0 | 2.3 | 2.3 | 2.88 | 23 | 51 | 331 | --- | 1.15 | 1765 | 91.0 | 91.7 | 91.7 | 0.68 | 0.79 | 0.84 | 30.1 |
| | | 324JP | 110 | G | 5.9 | 1.8 | 2.2 | 6.66 | 20 | 44 | 445 | --- | 1.15 | 1180 | 91.0 | 91.7 | 91.7 | 0.67 | 0.77 | 0.82 | 30.9 |
| 30 | 22 | 284JP | 43.9 | G | 6.2 | 1.7 | 2.6 | 1.59 | 16 | 35 | 324 | --- | 1.15 | 3540 | 90.2 | 91.0 | 91.0 | 0.74 | 0.83 | 0.87 | 34.9 |
| | | 284/6JP | 88.1 | G | 6.3 | 2.5 | 2.5 | 3.70 | 22 | 48 | 381 | --- | 1.15 | 1765 | 91.7 | 92.4 | 92.4 | 0.71 | 0.80 | 0.84 | 35.6 |
| | | 324/6JP | 132 | G | 6.0 | 1.8 | 2.2 | 7.50 | 16 | 35 | 485 | --- | 1.15 | 1180 | 91.0 | 91.7 | 92.4 | 0.67 | 0.77 | 0.82 | 36.4 |
| 40 | 30 | 284/6JP | 58.6 | G | 6.1 | 1.7 | 2.5 | 1.91 | 10 | 22 | 359 | --- | 1.15 | 3535 | 91.0 | 91.7 | 91.7 | 0.78 | 0.86 | 0.87 | 47.2 |
| | | 324JP | 117 | G | 6.0 | 1.8 | 2.1 | 5.37 | 20 | 44 | 459 | --- | 1.15 | 1775 | 92.4 | 93.0 | 93.0 | 0.72 | 0.81 | 0.84 | 48.2 |
| | | 364/5JP | 175 | G | 6.1 | 1.5 | 2.0 | 18.5 | 28 | 62 | 736 | --- | 1.15 | 1185 | 92.4 | 93.0 | 93.0 | 0.76 | 0.84 | 0.86 | 47.1 |
| 50 | 37 | 324JP | 72.9 | F | 5.8 | 1.7 | 2.0 | 3.01 | 20 | 44 | 450 | --- | 1.15 | 3555 | 91.7 | 92.4 | 92.4 | 0.78 | 0.84 | 0.86 | 58.4 |
| | | 324/6JP | 146 | G | 6.0 | 2.4 | 2.3 | 5.98 | 15 | 33 | 498 | --- | 1.15 | 1775 | 92.4 | 93.0 | 93.0 | 0.67 | 0.78 | 0.83 | 60.2 |
| | | 364/5JP | 219 | G | 6.2 | 2.0 | 2.1 | 20.7 | 20 | 44 | 770 | --- | 1.15 | 1185 | 92.4 | 93.0 | 93.0 | 0.76 | 0.84 | 0.86 | 58.1 |
| 60 | 45 | 324/6JP | 87.4 | F | 5.9 | 1.8 | 2.0 | 3.41 | 17 | 37 | 490 | --- | 1.15 | 3555 | 92.4 | 93.0 | 93.0 | 0.78 | 0.84 | 0.86 | 70.6 |
| | | 364/5JP | 175 | G | 6.1 | 1.8 | 2.3 | 12.8 | 22 | 48 | 723 | --- | 1.15 | 1777 | 93.0 | 93.6 | 93.6 | 0.73 | 0.82 | 0.85 | 71.0 |
| | | 404/5JP | 263 | G | 6.1 | 1.9 | 2.0 | 25.0 | 17 | 37 | 904 | --- | 1.15 | 1180 | 93.0 | 93.6 | 93.6 | 0.78 | 0.85 | 0.86 | 70.2 |
| 75 | 55 | 364/5JP | 109 | F | 5.8 | 1.6 | 2.1 | 5.60 | 26 | 57 | 703 | --- | 1.15 | 3555 | 91.0 | 92.4 | 93.0 | 0.80 | 0.85 | 0.87 | 85.3 |
| | | 364/5JP | 219 | G | 6.3 | 1.8 | 2.3 | 15.2 | 19 | 42 | 774 | --- | 1.15 | 1775 | 93.6 | 94.1 | 94.1 | 0.75 | 0.83 | 0.86 | 85.3 |
| | | 404/5JP | 329 | G | 6.3 | 1.8 | 2.1 | 27.2 | 14 | 31 | 939 | --- | 1.15 | 1180 | 93.0 | 93.6 | 93.6 | 0.76 | 0.82 | 0.86 | 85.8 |
| 100 | 75 | 364/5JP | 146 | F | 5.7 | 1.7 | 2.3 | 6.80 | 15 | 33 | 756 | --- | 1.15 | 3550 | 92.4 | 93.0 | 93.0 | 0.80 | 0.85 | 0.88 | 115 |
| | | 404/5JP | 292 | G | 6.2 | 2.2 | 2.5 | 17.5 | 14 | 31 | 895 | --- | 1.15 | 1775 | 93.6 | 94.1 | 94.1 | 0.76 | 0.84 | 0.86 | 116 |
| 125 | 90 | 404/5JP | 183 | G | 6.6 | 1.8 | 2.3 | 8.03 | 15 | 33 | 878 | 84.0 | 1.15 | 3545 | 93.0 | 93.6 | 93.6 | 0.80 | 0.86 | 0.88 | 137 |
| | | 404/5JP | 365 | G | 6.5 | 2.1 | 2.3 | 21.5 | 12 | 26 | 983 | --- | 1.15 | 1775 | 94.1 | 94.5 | 94.5 | 0.76 | 0.84 | 0.86 | 139 |
| 150 | 110 | 404/5JP | 219 | G | 6.6 | 1.7 | 2.2 | 9.20 | 11 | 24 | 931 | --- | 1.15 | 3550 | 93.0 | 93.6 | 93.6 | 0.84 | 0.89 | 0.90 | 164 |

Metric Motors - Aluminum Frame

| Output | | Frame | Full Load Torque (ft.lb) | Locked Rotor Current Code I _L /I _n | Locked Rotor Torque T _L /T _n | Break-down Torque T _b /T _n | Inertia J (lb-ft ²) | Allowable locked rotor time (s) | | Weight (lb) | Sound dB(A) | 460 V | | | | | | | | | |
|--------|------|-------|--------------------------|--|--|--|---------------------------------|---------------------------------|------|-------------|-------------|-------------------|----------------|------|------|--------------|------|------|-----------------------|--|--|
| | | | | | | | | Hot | Cold | | | Rated speed (rpm) | % of full load | | | | | | Full load current (A) | | |
| | | | | | | | | | | | | | Efficiency | | | Power Factor | | | | | |
| HP | kW | | | | | | | | | | | | 50 | 75 | 100 | 50 | 75 | 100 | | | |
| 0.12 | 0.16 | 63 | 0.485 | 5.2 | 2.6 | 3 | 0.0104 | 53 | 117 | 11.0 | 44 | 1710 | 57.5 | 64.0 | 66.0 | 0.50 | 0.62 | 0.71 | 0.321 | | |
| | | 63 | 0.242 | 6.4 | 4.5 | 4.6 | 0.0033 | 37 | 81 | 11.0 | 52 | 3430 | 55.0 | 62.0 | 64.0 | 0.54 | 0.65 | 0.73 | 0.322 | | |
| | | 63 | 0.727 | 3.5 | 2.5 | 2.8 | 0.0157 | 56 | 123 | 14.3 | 43 | 1140 | 52.0 | 59.0 | 64.0 | 0.35 | 0.45 | 0.52 | 0.453 | | |
| | | 71 | 1.00 | 2.5 | 1.8 | 2.4 | 0.0223 | 50 | 110 | 22.1 | 41 | 825 | 46.0 | 52.5 | 59.5 | 0.30 | 0.37 | 0.46 | 0.550 | | |
| 0.18 | 0.25 | 63 | 0.760 | 5.7 | 2.8 | 3.3 | 0.0145 | 40 | 88 | 13.2 | 44 | 1705 | 62.0 | 66.0 | 69.5 | 0.50 | 0.60 | 0.69 | 0.471 | | |
| | | 63 | 0.379 | 6.3 | 4.4 | 4.4 | 0.0038 | 28 | 62 | 12.1 | 52 | 3415 | 57.5 | 64.0 | 68.0 | 0.54 | 0.66 | 0.74 | 0.449 | | |
| | | 80 | 1.56 | 3.8 | 2.4 | 2.9 | 0.0681 | 56 | 123 | 24.3 | 42 | 830 | 50.5 | 60.0 | 64.0 | 0.38 | 0.48 | 0.59 | 0.598 | | |
| | | 71 | 1.17 | 3.7 | 2.3 | 2.7 | 0.0221 | 50 | 110 | 20.9 | 43 | 1110 | 57.5 | 59.5 | 67.5 | 0.35 | 0.44 | 0.53 | 0.632 | | |
| 0.25 | 0.33 | 71 | 0.994 | 5.3 | 2.6 | 2.8 | 0.0157 | 40 | 88 | 14.3 | 43 | 1720 | 70.0 | 72.0 | 73.4 | 0.47 | 0.60 | 0.69 | 0.620 | | |
| | | 80 | 1.47 | 5.1 | 2.1 | 3.1 | 0.0686 | 25 | 55 | 26.5 | 47 | 1165 | 64.1 | 70.5 | 71.4 | 0.43 | 0.55 | 0.65 | 0.676 | | |
| | | 63 | 0.501 | 6.6 | 4.8 | 4.7 | 0.0047 | 23 | 51 | 13.2 | 56 | 3415 | 64.0 | 68.0 | 69.5 | 0.53 | 0.65 | 0.74 | 0.610 | | |
| | | 80 | 1.99 | 4.3 | 2.5 | 3 | 0.0802 | 30 | 66 | 26.5 | 42 | 860 | 67.5 | 68.0 | 68.5 | 0.37 | 0.48 | 0.57 | 0.804 | | |
| 0.37 | 0.5 | 71 | 1.51 | 5.8 | 3.4 | 3.5 | 0.0195 | 55 | 121 | 16.5 | 43 | 1710 | 70.0 | 75.0 | 78.2 | 0.47 | 0.58 | 0.67 | 0.886 | | |
| | | 71 | 0.753 | 7.0 | 3.1 | 3.3 | 0.0095 | 12 | 26 | 16.5 | 56 | 3440 | 70.0 | 73.4 | 73.4 | 0.64 | 0.76 | 0.82 | 0.772 | | |
| | | 90S/L | 2.98 | 4.6 | 2.3 | 3.1 | 0.1305 | 30 | 66 | 35.3 | 43 | 870 | 66.5 | 71.5 | 72.0 | 0.37 | 0.47 | 0.56 | 1.15 | | |
| | | 80 | 2.27 | 4.9 | 2.4 | 2.8 | 0.0600 | 28 | 62 | 22.1 | 43 | 1140 | 66.0 | 70.0 | 75.3 | 0.47 | 0.60 | 0.70 | 0.881 | | |
| 0.55 | 0.75 | 90S | 3.34 | 6.4 | 2.6 | 3.4 | 0.1303 | 35 | 77 | 41.9 | 49 | 1165 | 78.0 | 81.5 | 81.7 | 0.45 | 0.58 | 0.67 | 1.26 | | |
| | | 80 | 2.26 | 7.3 | 3.4 | 3.8 | 0.0605 | 22 | 48 | 22.1 | 44 | 1720 | 77.0 | 80.0 | 81.1 | 0.60 | 0.73 | 0.78 | 1.09 | | |
| | | 71 | 1.14 | 7.3 | 3.7 | 3.9 | 0.0112 | 17 | 37 | 15.4 | 56 | 3415 | 74.0 | 75.5 | 76.8 | 0.66 | 0.78 | 0.84 | 1.07 | | |
| | | 90S/L | 4.52 | 4.5 | 2 | 2.5 | 0.1566 | 29 | 64 | 44.1 | 43 | 860 | 70.0 | 73.0 | 74.0 | 0.41 | 0.53 | 0.62 | 1.50 | | |
| 0.75 | 1 | 90S/L | 2.94 | 8.6 | 2.8 | 3.9 | 0.1163 | 22 | 48 | 36.4 | 49 | 1760 | 80.0 | 84.5 | 85.0 | 0.52 | 0.66 | 0.75 | 1.48 | | |
| | | 90S/L | 4.49 | 6.4 | 3 | 3.5 | 0.1561 | 36 | 79 | 48.5 | 49 | 1155 | 77.0 | 81.5 | 82.5 | 0.46 | 0.59 | 0.68 | 1.68 | | |
| | | 80 | 1.50 | 8.0 | 4.9 | 5 | 0.0180 | 32 | 70 | 25.4 | 59 | 3450 | 75.5 | 80.0 | 81.5 | 0.62 | 0.74 | 0.81 | 1.43 | | |
| | | 100L | 6.02 | 4.8 | 2 | 2.7 | 0.3014 | 61 | 134 | 57.3 | 50 | 860 | 70.0 | 74.0 | 75.5 | 0.38 | 0.50 | 0.59 | 2.11 | | |
| 1.1 | 1.5 | 90S/L | 4.43 | 8.5 | 2.9 | 3.5 | 0.1305 | 15 | 33 | 37.5 | 51 | 1755 | 80.0 | 84.0 | 86.5 | 0.57 | 0.70 | 0.78 | 2.05 | | |
| | | 80 | 2.25 | 8.0 | 5.3 | 5.2 | 0.0356 | 27 | 59 | 27.6 | 59 | 3450 | 78.5 | 81.5 | 84.0 | 0.62 | 0.74 | 0.81 | 2.03 | | |
| | | 100L | 9.04 | 4.9 | 2.2 | 2.7 | 0.3393 | 42 | 92 | 62.8 | 50 | 860 | 74.0 | 75.5 | 78.5 | 0.38 | 0.50 | 0.59 | 2.98 | | |
| 1.5 | 2 | 90S/L | 5.90 | 8.3 | 3 | 4 | 0.1566 | 14 | 31 | 43.0 | 49 | 1755 | 82.5 | 85.5 | 86.5 | 0.56 | 0.69 | 0.78 | 2.79 | | |
| | | 90S/L | 2.97 | 8.4 | 4.1 | 4.4 | 0.0475 | 16 | 35 | 34.2 | 62 | 3485 | 80.0 | 82.5 | 85.5 | 0.64 | 0.75 | 0.82 | 2.69 | | |
| | | 112M | 12.0 | 5.7 | 2.8 | 3.3 | 0.5648 | 38 | 84 | 79.4 | 46 | 865 | 77.0 | 80.0 | 84.0 | 0.44 | 0.57 | 0.64 | 3.50 | | |
| 2.2 | 3 | 100L | 8.88 | 9.0 | 3.8 | 3.7 | 0.2136 | 20 | 44 | 59.5 | --- | 1750 | 86.6 | 88.2 | 89.5 | 0.54 | 0.67 | 0.75 | 4.11 | | |
| | | 132S | 13.2 | 6.1 | 1.8 | 3.1 | 1.17 | 50 | 110 | 126 | 55 | 1175 | 84.0 | 87.5 | 89.5 | 0.49 | 0.62 | 0.70 | 4.41 | | |
| | | 112M | 8.83 | 7.7 | 2.2 | 3.4 | 0.3393 | 33 | 73 | 79.4 | 56 | 1760 | 85.5 | 87.5 | 89.5 | 0.59 | 0.72 | 0.79 | 3.91 | | |
| | | 90S/L | 4.47 | 8.4 | 4.3 | 4.6 | 0.0617 | 14 | 31 | 44.1 | 62 | 3480 | 84.0 | 85.5 | 86.5 | 0.64 | 0.76 | 0.83 | 3.85 | | |
| | | 132S | 17.9 | 7.4 | 2.5 | 2.9 | 1.64 | 32 | 70 | 139 | 48 | 870 | 82.0 | 84.0 | 85.5 | 0.47 | 0.60 | 0.68 | 4.75 | | |
| | | 132S | 17.7 | 6.3 | 1.8 | 2.9 | 1.07 | 68 | 150 | 130 | 55 | 1170 | 85.5 | 88.5 | 89.5 | 0.49 | 0.62 | 0.70 | 6.01 | | |
| 3 | 4 | 132M | 17.7 | 6.3 | 1.8 | 2.9 | 1.07 | 68 | 150 | 132 | 55 | 1170 | 85.5 | 88.5 | 89.5 | 0.49 | 0.62 | 0.70 | 6.01 | | |
| | | 100L | 5.90 | 9.2 | 3.8 | 5 | 0.1519 | 18 | 40 | 60.6 | 67 | 3510 | 82.5 | 86.5 | 88.5 | 0.68 | 0.79 | 0.85 | 5.01 | | |
| | | 100L | 11.9 | 8.6 | 4.6 | 4.8 | 0.2848 | 18 | 40 | 82.7 | 54 | 1740 | 84.0 | 86.5 | 89.5 | 0.59 | 0.71 | 0.79 | 5.33 | | |
| | | 132M | 23.8 | 7.5 | 3.2 | 3.4 | 1.99 | 26 | 57 | 148 | 48 | 870 | 83.5 | 85.0 | 86.5 | 0.45 | 0.58 | 0.67 | 6.50 | | |

continued on next page



Metric Motors Aluminum Frame - *continued*

| Output | | Frame | Full Load Torque (ft.lb) | Locked Rotor Current Code I _L /I _n | Locked Rotor Torque T _L /T _n | Break-down Torque T _b /T _n | Inertia J (lb-ft ²) | Allowable locked rotor time (s) | | Weight (lb) | Sound dB(A) | 460 V | | | | | | | Full load current I _n (A) |
|--------|------|-------|--------------------------|--|--|--|---------------------------------|---------------------------------|------|-------------|-------------|-------------------|----------------|------|------|--------------|------|------|--------------------------------------|
| | | | | | | | | Hot | Cold | | | Rated speed (rpm) | % of full load | | | Power Factor | | | |
| | | | | | | | | | | | | | 50 | 75 | 100 | 50 | 75 | 100 | |
| 4 | 5.5 | 112M | 16.2 | 8.0 | 2.5 | 3.5 | 0.4312 | 19 | 42 | 83.8 | 56 | 1755 | 87.5 | 89.5 | 89.5 | 0.58 | 0.70 | 0.77 | 7.28 |
| | | 132M | 24.5 | 6.6 | 1.9 | 3 | 1.34 | 43 | 95 | 128 | 52 | 1165 | 85.5 | 88.5 | 89.5 | 0.50 | 0.63 | 0.71 | 7.90 |
| | | 112M | 8.13 | 8.6 | 3.1 | 4.4 | 0.1898 | 24 | 53 | 79.4 | 64 | 3505 | 85.5 | 87.5 | 88.5 | 0.67 | 0.79 | 0.85 | 6.67 |
| 5.5 | 7.5 | 132S | 22.0 | 10.1 | 2.6 | 4.3 | 1.25 | 18 | 40 | 139 | 56 | 1765 | 88.5 | 91.0 | 91.7 | 0.65 | 0.77 | 0.83 | 9.07 |
| | | 132S | 11.0 | 8.6 | 2.9 | 4.1 | 0.5126 | 29 | 64 | 130 | 67 | 3530 | 85.5 | 87.5 | 89.5 | 0.70 | 0.81 | 0.86 | 8.97 |
| 7.5 | 10 | 132M | 29.3 | 9.0 | 2.7 | 4.3 | 1.52 | 16 | 35 | 154 | 56 | 1770 | 90.2 | 91.0 | 91.7 | 0.65 | 0.77 | 0.83 | 12.2 |
| | | 132S | 14.7 | 9.1 | 3.3 | 4.4 | 0.5980 | 21 | 46 | 139 | 67 | 3535 | 86.5 | 89.5 | 90.2 | 0.68 | 0.79 | 0.85 | 12.3 |
| 9.2 | 12.5 | 132M | 18.3 | 9.0 | 3.1 | 3.9 | 0.7261 | 20 | 44 | 154 | 67 | 3535 | 88.5 | 90.2 | 91.0 | 0.73 | 0.83 | 0.87 | 14.6 |

Metric Motors - Cast Iron Frame

| Output | | Frame | Full Load Torque (ft.lb) | Locked Rotor Current Code I _L /I _n | Locked Rotor Torque T _L /T _n | Break-down Torque T _b /T _n | Inertia J (lb-ft ²) | Allowable locked rotor time (s) | | Weight (lb) | Sound dB(A) | 460 V | | | | | | | | |
|--------|------|-------|--------------------------|--|--|--|---------------------------------|---------------------------------|-----|-------------|-------------|-------------------|----------------|------|------|--------------|------|------|--------------------------------------|--|
| | | | | | | | | | | | | Rated speed (rpm) | % of full load | | | | | | Full load current I _n (A) | |
| | | | | | | | | | | | | | Efficiency | | | Power Factor | | | | |
| | | | | | | | | 50 | 75 | | | | 100 | 50 | 75 | 100 | | | | |
| HP | kW | Hot | Cold | | | | | | | | | | | | | | | | | |
| 0.12 | 0.16 | 63 | 0.242 | 6.4 | 4.5 | 4.6 | 0.0033 | 37 | 81 | 13.7 | 52 | 3430 | 55.0 | 62.0 | 64.0 | 0.54 | 0.65 | 0.73 | 0.322 | |
| | | 63 | 0.485 | 5.2 | 2.6 | 3 | 0.0104 | 53 | 117 | 11.5 | 44 | 1710 | 57.5 | 64.0 | 66.0 | 0.50 | 0.62 | 0.71 | 0.321 | |
| | | 63 | 0.727 | 3.5 | 2.5 | 2.8 | 0.0157 | 56 | 123 | 17.0 | 43 | 1140 | 52.0 | 59.0 | 64.0 | 0.35 | 0.45 | 0.52 | 0.453 | |
| | | 71 | 1.00 | 2.5 | 1.8 | 2.4 | 0.0223 | 50 | 110 | 25.4 | 41 | 825 | 46.0 | 52.5 | 59.5 | 0.30 | 0.37 | 0.46 | 0.550 | |
| 0.18 | 0.25 | 63 | 0.379 | 6.3 | 4.4 | 4.4 | 0.0038 | 28 | 62 | 14.8 | 52 | 3415 | 57.5 | 64.0 | 68.0 | 0.54 | 0.66 | 0.74 | 0.449 | |
| | | 63 | 0.760 | 5.7 | 2.8 | 3.3 | 0.0145 | 40 | 88 | 15.9 | 44 | 1705 | 62.0 | 66.0 | 69.5 | 0.50 | 0.60 | 0.69 | 0.471 | |
| | | 71 | 1.17 | 3.7 | 2.3 | 2.7 | 0.0221 | 50 | 110 | 25.4 | 43 | 1110 | 57.5 | 59.5 | 67.5 | 0.35 | 0.44 | 0.53 | 0.632 | |
| | | 80 | 1.56 | 3.8 | 2.4 | 2.9 | 0.0681 | 56 | 123 | 29.8 | 42 | 830 | 50.5 | 60.0 | 64.0 | 0.38 | 0.48 | 0.59 | 0.598 | |
| 0.25 | 0.33 | 63 | 0.501 | 6.6 | 4.8 | 4.7 | 0.0047 | 23 | 51 | 15.9 | 56 | 3415 | 64.0 | 68.0 | 69.5 | 0.53 | 0.65 | 0.74 | 0.610 | |
| | | 71 | 0.994 | 5.3 | 2.6 | 2.8 | 0.0157 | 40 | 88 | 17.6 | 43 | 1720 | 70.0 | 72.0 | 73.4 | 0.47 | 0.60 | 0.69 | 0.620 | |
| | | 80 | 1.47 | 5.1 | 2.1 | 3.1 | 0.0686 | 25 | 55 | 26.5 | 47 | 1165 | 64.1 | 70.5 | 71.4 | 0.43 | 0.55 | 0.65 | 0.676 | |
| | | 80 | 1.99 | 4.3 | 2.5 | 3 | 0.0802 | 30 | 66 | 32.0 | 42 | 860 | 67.5 | 68.0 | 68.5 | 0.37 | 0.48 | 0.57 | 0.804 | |
| 0.37 | 0.5 | 71 | 0.753 | 7.0 | 3.1 | 3.3 | 0.0095 | 12 | 26 | 16.5 | 56 | 3440 | 70.0 | 73.4 | 73.4 | 0.64 | 0.76 | 0.82 | 0.772 | |
| | | 71 | 1.51 | 5.8 | 3.4 | 3.5 | 0.0195 | 55 | 121 | 20.9 | 43 | 1710 | 70.0 | 75.0 | 78.2 | 0.47 | 0.58 | 0.67 | 0.886 | |
| | | 80 | 2.27 | 4.9 | 2.4 | 2.8 | 0.0600 | 28 | 62 | 27.6 | 43 | 1140 | 66.0 | 70.0 | 75.3 | 0.47 | 0.60 | 0.70 | 0.881 | |
| | | 90S | 2.98 | 4.6 | 2.3 | 3.1 | 0.1305 | 30 | 66 | 41.9 | 43 | 870 | 66.5 | 71.5 | 72.0 | 0.37 | 0.47 | 0.56 | 1.15 | |
| 0.55 | 0.75 | 71 | 1.14 | 7.3 | 3.7 | 3.9 | 0.0112 | 17 | 37 | 18.7 | 56 | 3415 | 74.0 | 75.5 | 76.8 | 0.66 | 0.78 | 0.84 | 1.07 | |
| | | 80 | 2.26 | 7.3 | 3.4 | 3.8 | 0.0605 | 22 | 48 | 27.6 | 44 | 1720 | 77.0 | 80.0 | 81.1 | 0.60 | 0.73 | 0.78 | 1.09 | |
| | | 90S | 3.34 | 6.4 | 2.6 | 3.4 | 0.1303 | 35 | 77 | 41.9 | 49 | 1165 | 78.0 | 81.5 | 81.7 | 0.45 | 0.58 | 0.67 | 1.26 | |
| | | 90L | 4.52 | 4.5 | 2 | 2.5 | 0.1566 | 29 | 64 | 50.7 | 43 | 860 | 70.0 | 73.0 | 74.0 | 0.41 | 0.53 | 0.62 | 1.50 | |
| 0.75 | 1 | 80 | 1.50 | 8.0 | 4.9 | 5 | 0.0180 | 32 | 70 | 29.8 | 59 | 3450 | 75.5 | 80.0 | 81.5 | 0.62 | 0.74 | 0.81 | 1.43 | |
| | | 90S | 2.94 | 8.6 | 2.8 | 3.9 | 0.1163 | 22 | 48 | 40.8 | 49 | 1760 | 80.0 | 84.5 | 85.0 | 0.52 | 0.66 | 0.75 | 1.48 | |
| | | 90L | 4.49 | 6.4 | 3 | 3.5 | 0.1561 | 36 | 79 | 55.1 | 49 | 1155 | 77.0 | 81.5 | 82.5 | 0.46 | 0.59 | 0.68 | 1.68 | |
| | | 100L | 6.02 | 4.8 | 2 | 2.7 | 0.3014 | 61 | 134 | 67.3 | 50 | 860 | 70.0 | 74.0 | 75.5 | 0.38 | 0.50 | 0.59 | 2.11 | |
| 1.1 | 1.5 | 80 | 2.25 | 8.0 | 5.3 | 5.2 | 0.0356 | 27 | 59 | 33.1 | 59 | 3450 | 78.5 | 81.5 | 84.0 | 0.62 | 0.74 | 0.81 | 2.03 | |
| | | 90S | 4.43 | 8.5 | 2.9 | 3.5 | 0.1305 | 15 | 33 | 43.0 | 51 | 1755 | 80.0 | 84.0 | 86.5 | 0.57 | 0.70 | 0.78 | 2.05 | |
| | | 100L | 9.04 | 4.9 | 2.2 | 2.7 | 0.3393 | 42 | 92 | 72.8 | 50 | 860 | 74.0 | 75.5 | 78.5 | 0.38 | 0.50 | 0.59 | 2.98 | |
| 1.5 | 2 | 90S | 2.97 | 8.4 | 4.1 | 4.4 | 0.0475 | 16 | 35 | 40.8 | 62 | 3485 | 80.0 | 82.5 | 85.5 | 0.64 | 0.75 | 0.82 | 2.69 | |
| | | 90L | 5.90 | 8.3 | 3 | 4 | 0.1566 | 14 | 31 | 50.7 | 49 | 1755 | 82.5 | 85.5 | 86.5 | 0.56 | 0.69 | 0.78 | 2.79 | |
| | | 112M | 12.0 | 5.7 | 2.8 | 3.3 | 0.5648 | 38 | 84 | 94.8 | 46 | 865 | 77.0 | 80.0 | 84.0 | 0.44 | 0.57 | 0.64 | 3.50 | |
| 2.2 | 3 | 90L | 4.47 | 8.4 | 4.3 | 4.6 | 0.0617 | 14 | 31 | 51.8 | 62 | 3480 | 84.0 | 85.5 | 86.5 | 0.64 | 0.76 | 0.83 | 3.85 | |
| | | 100L | 8.88 | 9.0 | 3.8 | 3.7 | 0.2136 | 20 | 44 | 72.8 | --- | 1750 | 86.6 | 88.2 | 89.5 | 0.54 | 0.67 | 0.75 | 4.11 | |
| | | 132S | 13.2 | 6.1 | 1.8 | 3.1 | 1.17 | 50 | 110 | 139 | 55 | 1175 | 84.0 | 87.5 | 89.5 | 0.49 | 0.62 | 0.70 | 4.41 | |
| | | 132S | 17.9 | 7.4 | 2.5 | 2.9 | 1.64 | 32 | 70 | 152 | 48 | 870 | 82.0 | 84.0 | 85.5 | 0.47 | 0.60 | 0.68 | 4.75 | |
| 3 | 4 | 100L | 5.90 | 9.2 | 3.8 | 5 | 0.1519 | 18 | 40 | 70.6 | 67 | 3510 | 82.5 | 86.5 | 88.5 | 0.68 | 0.79 | 0.85 | 5.01 | |
| | | L100L | 11.9 | 8.6 | 4.6 | 4.8 | 0.2848 | 18 | 40 | 82.7 | 54 | 1740 | 84.0 | 86.5 | 89.5 | 0.59 | 0.71 | 0.79 | 5.39 | |
| | | 132S | 17.7 | 6.3 | 1.8 | 2.9 | 1.07 | 68 | 150 | 135 | 55 | 1170 | 85.5 | 88.5 | 89.5 | 0.49 | 0.62 | 0.70 | 6.01 | |
| | | 132M | 23.8 | 7.5 | 3.2 | 3.4 | 1.99 | 26 | 57 | 165 | 48 | 870 | 83.5 | 85.0 | 86.5 | 0.45 | 0.58 | 0.67 | 6.50 | |

continued on next page



Metric Motors Cast Iron Frame - continued

| Output | | Frame | Full Load Torque (ft.lb) | Locked Rotor Current Code I _L /I _n | Locked Rotor Torque T _L /T _n | Break-down Torque T _b /T _n | Inertia J (lb-ft ²) | Allowable locked rotor time (s) | | Weight (lb) | Sound dB(A) | 460 V | | | | | | | |
|--------|------|--------|--------------------------|--|--|--|---------------------------------|---------------------------------|------|-------------|-------------|-------------------|----------------|------|--------------|--------------------------------------|------|------|------|
| | | | | | | | | Hot | Cold | | | Rated speed (rpm) | % of full load | | | Full load current I _n (A) | | | |
| | | | | | | | | | | | | | Efficiency | | Power Factor | | | | |
| HP | kW | | | | | | | | | | | 50 | 75 | 100 | 50 | 75 | 100 | | |
| 4 | 5.5 | 112M | 8.13 | 8.6 | 3.1 | 4.4 | 0.1898 | 24 | 53 | 90.4 | 64 | 3505 | 85.5 | 87.5 | 88.5 | 0.67 | 0.79 | 0.85 | 6.67 |
| | | 112M | 16.2 | 8.0 | 2.5 | 3.5 | 0.4312 | 19 | 42 | 97.0 | 56 | 1755 | 87.5 | 89.5 | 89.5 | 0.58 | 0.70 | 0.77 | 7.28 |
| | | 132M | 24.5 | 6.6 | 1.9 | 3 | 1.34 | 43 | 95 | 146 | 52 | 1165 | 85.5 | 88.5 | 89.5 | 0.50 | 0.63 | 0.71 | 7.90 |
| | | 160M | 32.4 | 5.2 | 2 | 2.7 | 2.39 | 47 | 103 | 251 | 54 | 880 | 84.0 | 86.5 | 86.5 | 0.49 | 0.62 | 0.71 | 8.17 |
| 5.5 | 7.5 | 132S | 11.0 | 8.6 | 2.9 | 4.1 | 0.5126 | 29 | 64 | 143 | 67 | 3530 | 85.5 | 87.5 | 89.5 | 0.70 | 0.81 | 0.86 | 8.97 |
| | | 132S | 22.0 | 10.1 | 2.6 | 4.3 | 1.25 | 18 | 40 | 152 | 56 | 1765 | 88.5 | 91.0 | 91.7 | 0.65 | 0.77 | 0.83 | 9.07 |
| | | 132M/L | 33.2 | 7.4 | 2.4 | 3.5 | 1.79 | 32 | 70 | 176 | 52 | 1170 | 85.5 | 88.5 | 91.0 | 0.48 | 0.61 | 0.70 | 10.8 |
| | | 160M | 44.2 | 5.3 | 2 | 2.7 | 2.90 | 36 | 79 | 271 | 54 | 880 | 85.5 | 86.5 | 87.5 | 0.49 | 0.62 | 0.71 | 11.1 |
| 7.5 | 10 | 132S | 14.7 | 9.1 | 3.3 | 4.4 | 0.5980 | 21 | 46 | 152 | 67 | 3535 | 86.5 | 89.5 | 90.2 | 0.68 | 0.79 | 0.85 | 12.3 |
| | | 132M | 29.3 | 9.0 | 2.7 | 4.3 | 1.52 | 16 | 35 | 172 | 56 | 1770 | 90.2 | 91.0 | 91.7 | 0.65 | 0.77 | 0.83 | 12.2 |
| | | 160M | 43.9 | 7.4 | 2.7 | 3.5 | 2.90 | 25 | 55 | 269 | 59 | 1180 | 87.5 | 89.5 | 91.0 | 0.59 | 0.69 | 0.75 | 13.8 |
| | | 160L | 58.9 | 5.7 | 2.4 | 2.9 | 3.75 | 26 | 57 | 320 | 54 | 880 | 88.5 | 89.0 | 89.5 | 0.49 | 0.62 | 0.70 | 15.0 |
| 9.2 | 12.5 | 132M | 18.3 | 9.0 | 3.1 | 3.9 | 0.7261 | 20 | 44 | 172 | 67 | 3535 | 88.5 | 90.2 | 91.0 | 0.73 | 0.83 | 0.87 | 14.6 |
| | | 160M | 36.5 | 8.3 | 3 | 3.7 | 1.91 | 17 | 37 | 240 | 64 | 1775 | 87.5 | 90.2 | 92.4 | 0.66 | 0.77 | 0.82 | 15.2 |
| | | 160L | 54.9 | 7.5 | 2.7 | 3.4 | 3.41 | 22 | 48 | 302 | 59 | 1180 | 88.5 | 90.2 | 91.7 | 0.60 | 0.73 | 0.80 | 15.7 |
| | | 180M | 73.6 | 7.0 | 2.2 | 3 | 6.11 | 20 | 44 | 381 | 54 | 880 | 88.5 | 89.5 | 89.5 | 0.62 | 0.74 | 0.80 | 16.1 |
| 11 | 15 | 160M | 21.9 | 8.7 | 3 | 4.3 | 0.9943 | 24 | 53 | 254 | 72 | 3555 | 88.5 | 91.0 | 91.7 | 0.69 | 0.80 | 0.84 | 17.9 |
| | | 160M | 43.8 | 8.3 | 3.1 | 3.8 | 2.38 | 16 | 35 | 271 | 64 | 1775 | 89.5 | 91.7 | 92.4 | 0.63 | 0.75 | 0.82 | 18.2 |
| | | 160L | 65.9 | 7.5 | 2.8 | 3.4 | 3.75 | 20 | 44 | 315 | 59 | 1180 | 88.5 | 90.2 | 91.7 | 0.61 | 0.73 | 0.80 | 18.8 |
| | | 180L | 88.3 | 7.6 | 2.6 | 3.4 | 6.75 | 16 | 35 | 408 | 54 | 880 | 88.5 | 89.5 | 89.5 | 0.59 | 0.71 | 0.79 | 19.5 |
| 15 | 20 | 160M | 29.2 | 8.4 | 3 | 4.1 | 1.12 | 18 | 40 | 262 | 72 | 3550 | 89.5 | 91.7 | 91.7 | 0.69 | 0.80 | 0.84 | 24.4 |
| | | 160L | 58.4 | 8.3 | 3.3 | 4 | 2.88 | 13 | 29 | 320 | 64 | 1775 | 91.0 | 91.7 | 93.0 | 0.62 | 0.74 | 0.81 | 25.0 |
| | | 180L | 87.8 | 9.2 | 3 | 3.9 | 7.69 | 13 | 29 | 426 | 59 | 1180 | 91.0 | 91.7 | 91.7 | 0.68 | 0.79 | 0.83 | 24.7 |
| | | 200L | 117 | 5.2 | 2 | 2.4 | 10.8 | 44 | 97 | 518 | 56 | 885 | 89.5 | 91.0 | 91.0 | 0.55 | 0.67 | 0.74 | 28.0 |
| 18.5 | 25 | 160L | 36.5 | 8.9 | 3.3 | 4.4 | 1.32 | 15 | 33 | 300 | 72 | 3550 | 90.2 | 91.7 | 92.4 | 0.69 | 0.80 | 0.84 | 29.9 |
| | | 180M | 73.0 | 8.1 | 3.3 | 3.8 | 4.75 | 21 | 46 | 397 | 64 | 1775 | 91.0 | 92.4 | 93.6 | 0.62 | 0.75 | 0.81 | 30.6 |
| | | 200L | 110 | 7.0 | 2.6 | 3.1 | 9.16 | 25 | 55 | 492 | 62 | 1180 | 91.0 | 91.7 | 93.0 | 0.62 | 0.74 | 0.81 | 30.8 |
| | | 225S/M | 146 | 7.0 | 1.9 | 3.1 | 26.3 | 43 | 95 | 831 | 60 | 885 | 93.0 | 93.0 | 93.0 | 0.60 | 0.72 | 0.79 | 31.6 |
| 22 | 30 | 180M | 43.7 | 8.5 | 2.8 | 4.1 | 2.83 | 17 | 37 | 388 | 72 | 3555 | 90.2 | 91.7 | 92.4 | 0.71 | 0.81 | 0.86 | 34.7 |
| | | 180L | 87.6 | 8.6 | 3.5 | 3.9 | 5.39 | 19 | 42 | 437 | 64 | 1775 | 91.0 | 92.4 | 93.6 | 0.65 | 0.76 | 0.82 | 36.0 |
| | | 200L | 132 | 7.2 | 2.8 | 3.3 | 10.8 | 23 | 51 | 529 | 62 | 1180 | 91.7 | 92.4 | 93.0 | 0.62 | 0.74 | 0.80 | 37.1 |
| | | 225S/M | 176 | 6.6 | 1.5 | 2.4 | 30.6 | 38 | 84 | 886 | 60 | 885 | 92.4 | 92.5 | 92.8 | 0.59 | 0.71 | 0.79 | 37.7 |
| 30 | 40 | 200L | 58.1 | 8.3 | 3 | 3.3 | 4.44 | 26 | 57 | 538 | 76 | 3565 | 91.0 | 92.4 | 93.0 | 0.73 | 0.82 | 0.86 | 47.1 |
| | | 200L | 116 | 8.2 | 3 | 3.6 | 8.23 | 19 | 42 | 536 | 66 | 1780 | 91.7 | 93.0 | 94.1 | 0.63 | 0.75 | 0.81 | 49.4 |
| | | 225S/M | 175 | 7.7 | 2.7 | 3.3 | 30.6 | 30 | 66 | 884 | 66 | 1185 | 93.0 | 94.1 | 94.1 | 0.67 | 0.78 | 0.84 | 47.6 |
| | | 250S/M | 233 | 6.6 | 2.2 | 2.6 | 33.9 | 40 | 88 | 1080 | 60 | 890 | 93.0 | 93.6 | 93.6 | 0.60 | 0.72 | 0.79 | 50.9 |

continued on next page

Metric Motors Cast Iron Frame - *continued*

| Output | | Frame | Full Load Torque (ft.lb) | Locked Rotor Current Code I _L /In | Locked Rotor Torque T _L /T _n | Break-down Torque T _b /T _n | Inertia J (lb-ft ²) | Allowable locked rotor time (s) | | Weight (lb) | Sound dB(A) | 460 V | | | | | | | | Full load current In (A) |
|--------|-----|--------|--------------------------|--|--|--|---------------------------------|---------------------------------|------|-------------|-------------|-------------------|----------------|------|------|--------------|------|------|------|--------------------------|
| | | | | | | | | Hot | Cold | | | Rated speed (rpm) | % of full load | | | | | | | |
| | | | | | | | | | | | | | Efficiency | | | Power Factor | | | | |
| HP | kW | | | | | | | | | | | 50 | 75 | 100 | 50 | 75 | 100 | | | |
| 37 | 50 | 200L | 72.5 | 8.3 | 3.3 | 3.3 | 5.03 | 22 | 48 | 584 | 76 | 3575 | 91.7 | 93.0 | 93.6 | 0.63 | 0.75 | 0.81 | 61.3 | |
| | | 225S/M | 146 | 8.6 | 3.1 | 3.7 | 20.9 | 25 | 55 | 864 | 67 | 1780 | 93.0 | 94.1 | 94.5 | 0.68 | 0.79 | 0.84 | 58.5 | |
| | | 250S/M | 219 | 7.8 | 2.8 | 3.3 | 33.8 | 29 | 64 | 1072 | 68 | 1185 | 93.6 | 94.1 | 94.1 | 0.69 | 0.79 | 0.84 | 58.8 | |
| | | 280S/M | 291 | 6.7 | 2 | 2.7 | 66.9 | 45 | 99 | 1484 | 63 | 890 | 93.0 | 94.1 | 94.1 | 0.59 | 0.71 | 0.77 | 64.1 | |
| 45 | 60 | 225S/M | 87.2 | 7.8 | 2.4 | 3.4 | 10.5 | 29 | 64 | 917 | 79 | 3565 | 93.0 | 94.1 | 94.1 | 0.80 | 0.87 | 0.90 | 66.7 | |
| | | 225S/M | 175 | 8.2 | 3.2 | 3.7 | 22.6 | 24 | 53 | 926 | 67 | 1780 | 93.6 | 94.5 | 95.0 | 0.69 | 0.79 | 0.85 | 69.9 | |
| | | 280S/M | 261 | 7.2 | 2.6 | 3.4 | 66.5 | 48 | 106 | 1495 | 69 | 1190 | 93.0 | 94.5 | 94.5 | 0.62 | 0.74 | 0.80 | 74.7 | |
| | | 280S/M | 349 | 6.4 | 1.9 | 2.6 | 82.8 | 42 | 92 | 1634 | 63 | 890 | 93.6 | 94.1 | 94.1 | 0.59 | 0.71 | 0.78 | 77.0 | |
| 55 | 75 | 250S/M | 109 | 8.6 | 2.9 | 3.7 | 11.6 | 28 | 62 | 1069 | 79 | 3570 | 93.6 | 94.2 | 94.2 | 0.80 | 0.87 | 0.90 | 81.4 | |
| | | 250S/M | 218 | 8.2 | 3.3 | 3.1 | 26.3 | 27 | 59 | 1118 | 68 | 1785 | 93.6 | 94.5 | 95.4 | 0.67 | 0.79 | 0.85 | 85.1 | |
| | | 280S/M | 327 | 7.0 | 2.6 | 3.3 | 77.1 | 46 | 101 | 1594 | 69 | 1190 | 93.6 | 94.5 | 94.5 | 0.64 | 0.75 | 0.81 | 90.2 | |
| | | 315S/M | 437 | 6.6 | 1.9 | 2.6 | 74.6 | 63 | 139 | 2064 | 66 | 890 | 93.6 | 94.5 | 94.5 | 0.62 | 0.73 | 0.78 | 93.7 | |
| 75 | 100 | 280S/M | 145 | 7.9 | 2.4 | 3.5 | 28.6 | 59 | 130 | 1603 | 81 | 3580 | 92.4 | 94.1 | 94.5 | 0.80 | 0.87 | 0.90 | 111 | |
| | | 280S/M | 290 | 7.9 | 2.7 | 3.4 | 53.5 | 47 | 103 | 1607 | 73 | 1785 | 93.0 | 94.5 | 95.4 | 0.72 | 0.81 | 0.85 | 116 | |
| | | 315S/M | 435 | 7.0 | 2.6 | 3.1 | 79.2 | 61 | 134 | 2121 | 70 | 1190 | 94.1 | 95.0 | 95.0 | 0.64 | 0.75 | 0.81 | 122 | |
| | | 315S/M | 582 | 6.5 | 2 | 2.6 | 95.7 | 60 | 132 | 2313 | 66 | 890 | 94.1 | 95.0 | 95.0 | 0.62 | 0.73 | 0.78 | 127 | |
| 90 | 125 | 280S/M | 181 | 7.7 | 2.3 | 3.3 | 31.8 | 52 | 114 | 1680 | 81 | 3580 | 93.0 | 94.5 | 95.0 | 0.82 | 0.88 | 0.90 | 132 | |
| | | 280S/M | 363 | 8.0 | 2.7 | 3.4 | 60.6 | 41 | 90 | 1713 | 73 | 1785 | 93.6 | 95.0 | 95.4 | 0.71 | 0.81 | 0.85 | 139 | |
| | | 315S/M | 544 | 7.0 | 2.6 | 3.1 | 94.8 | 61 | 134 | 2311 | 70 | 1190 | 94.5 | 95.4 | 95.4 | 0.64 | 0.75 | 0.81 | 146 | |
| | | 315S/M | 728 | 6.8 | 2.1 | 2.7 | 114 | 55 | 121 | 2534 | 66 | 890 | 93.5 | 94.0 | 94.5 | 0.61 | 0.73 | 0.78 | 153 | |
| 110 | 150 | 315S/M | 217 | 8.4 | 2.5 | 3.7 | 50.2 | 59 | 130 | 2121 | 81 | 3585 | 92.4 | 94.1 | 95.0 | 0.78 | 0.86 | 0.89 | 163 | |
| | | 315S/M | 434 | 7.8 | 3 | 3.2 | 58.7 | 57 | 125 | 2227 | 75 | 1790 | 93.6 | 95.0 | 95.8 | 0.71 | 0.81 | 0.85 | 170 | |
| | | 315S/M | 653 | 7.0 | 2.5 | 2.7 | 105 | 53 | 117 | 2439 | 70 | 1190 | 95.0 | 95.8 | 95.8 | 0.64 | 0.75 | 0.81 | 178 | |
| | | 315L | 873 | 6.7 | 2.1 | 2.7 | 298 | 49 | 108 | 3014 | 71 | 890 | 94.5 | 95.4 | 95.4 | 0.60 | 0.72 | 0.78 | 186 | |
| 132 | 175 | 315S/M | 253 | 8.2 | 2.5 | 3.4 | 60.7 | 54 | 119 | 2311 | 81 | 3580 | 93.6 | 94.5 | 95.4 | 0.82 | 0.88 | 0.90 | 193 | |
| | | 315S/M | 507 | 7.9 | 3.1 | 3.3 | 69.7 | 57 | 125 | 2414 | 75 | 1790 | 94.1 | 95.4 | 96.2 | 0.72 | 0.81 | 0.85 | 203 | |
| | | 315S/M | 762 | 7.2 | 2.9 | 3.2 | 121 | 46 | 101 | 2624 | 70 | 1190 | 95.0 | 95.8 | 95.8 | 0.63 | 0.75 | 0.81 | 214 | |
| | | 315L | 1013 | 6.9 | 2.3 | 2.7 | 313 | 47 | 103 | 3325 | 71 | 895 | 95.0 | 95.4 | 95.4 | 0.60 | 0.72 | 0.78 | 223 | |
| 150 | 200 | 315S/M | 289 | 8.5 | 2.6 | 3 | 65.7 | 46 | 101 | 2401 | 81 | 3585 | 93.6 | 95.4 | 95.4 | 0.79 | 0.87 | 0.90 | 219 | |
| | | 315S/M | 579 | 7.8 | 2.8 | 2.8 | 105 | 43 | 95 | 2478 | 75 | 1790 | 94.5 | 95.8 | 96.2 | 0.72 | 0.82 | 0.86 | 228 | |
| | | 315L | 871 | 7.3 | 2.8 | 3 | 264 | 41 | 90 | 3010 | 71 | 1190 | 95.4 | 95.8 | 95.8 | 0.66 | 0.77 | 0.82 | 240 | |
| 160 | 220 | 315S/M | 318 | 8.4 | 2.7 | 3.5 | 71.0 | 43 | 95 | 2489 | 81 | 3580 | 94.1 | 95.0 | 95.4 | 0.81 | 0.88 | 0.90 | 234 | |
| | | 315S/M | 637 | 7.8 | 3.2 | 3.2 | 76.9 | 49 | 108 | 2540 | 75 | 1790 | 94.5 | 95.4 | 96.2 | 0.72 | 0.82 | 0.85 | 246 | |
| | | 315L | 958 | 7.4 | 3 | 3.2 | 264 | 45 | 99 | 3193 | 71 | 1190 | 95.4 | 95.8 | 95.8 | 0.64 | 0.76 | 0.81 | 259 | |
| | | 355M/L | 1274 | 7.0 | 1.2 | 2.8 | 410 | 83 | 183 | 3852 | 75 | 895 | 95.0 | 95.8 | 95.8 | 0.61 | 0.73 | 0.79 | 265 | |
| 185 | 250 | 315S/M | 362 | 8.3 | 2.9 | 3.4 | 76.0 | 42 | 92 | 2639 | 81 | 3580 | 94.5 | 95.4 | 95.8 | 0.82 | 0.88 | 0.90 | 269 | |
| | | 315S/M | 724 | 7.8 | 3.2 | 3.1 | 82.2 | 39 | 86 | 2695 | 75 | 1790 | 95.0 | 95.8 | 96.2 | 0.72 | 0.81 | 0.85 | 284 | |
| | | 355M/L | 1084 | 7.1 | 2.5 | 2.9 | 264 | 48 | 106 | 3674 | 77 | 1195 | 94.3 | 95.4 | 95.8 | 0.60 | 0.72 | 0.78 | 311 | |
| | | 355M/L | 1447 | 7.1 | 1.4 | 2.8 | 440 | 64 | 141 | 4011 | 75 | 895 | 95.0 | 95.8 | 95.8 | 0.61 | 0.73 | 0.78 | 311 | |

continued on next page

Metric Motors Cast Iron Frame - *continued*

| Output | | Frame | Full Load Torque (ft.lb) | Locked Rotor Current Code I _L /I _n | Locked Rotor Torque T _L /T _n | Break-down Torque T _b /T _n | Inertia J (lb-ft ²) | Allowable locked rotor time (s) | | Weight (lb) | Sound dB(A) | 460 V | | | | | | | Full load current I _n (A) |
|--------|-----|--------|-----------------------------|---|---|---|---------------------------------|---------------------------------------|----------------|-------------|-------------|--------------|------|------|------|------|------|------|---|
| | | | | | | | | Rated speed (rpm) | % of full load | | | | | | | | | | |
| | | | | | | | | | Efficiency | | | Power Factor | | | | | | | |
| | | | | | | | | | 50 | | | 75 | 100 | 50 | 75 | 100 | | | |
| HP | kW | Hot | Cold | | | | | | | | | | | | | | | | |
| 200 | 270 | 315L | 391 | 7.8 | 3 | 3.5 | 81.3 | 40 | 88 | 2878 | 82 | 3580 | 94.5 | 95.4 | 95.8 | 0.81 | 0.88 | 0.90 | 291 |
| | | 315L | 781 | 7.8 | 3.1 | 3.1 | 93.4 | 40 | 88 | 2937 | 77 | 1790 | 95.0 | 95.8 | 96.2 | 0.72 | 0.82 | 0.85 | 307 |
| | | 355M/L | 1171 | 6.9 | 2.4 | 2.8 | 286 | 58 | 128 | 3834 | 77 | 1195 | 94.2 | 95.4 | 95.8 | 0.62 | 0.73 | 0.79 | 332 |
| | | 355M/L | 1563 | 6.8 | 1.2 | 2.7 | 449 | 70 | 154 | 4170 | 75 | 895 | 95.0 | 95.8 | 95.8 | 0.61 | 0.73 | 0.79 | 332 |
| 220 | 300 | 315L | 434 | 7.9 | 2.7 | 3.2 | 88.3 | 44 | 97 | 3021 | 82 | 3580 | 95.4 | 95.8 | 96.2 | 0.84 | 0.89 | 0.91 | 315 |
| | | 315L | 868 | 7.9 | 3.4 | 3.3 | 163 | 40 | 88 | 3153 | 77 | 1790 | 95.4 | 95.8 | 96.2 | 0.72 | 0.81 | 0.85 | 338 |
| | | 355M/L | 1301 | 7.0 | 2.6 | 2.9 | 318 | 50 | 110 | 4088 | 77 | 1195 | 94.8 | 95.8 | 95.8 | 0.60 | 0.72 | 0.78 | 370 |
| 250 | 340 | 315L | 492 | 7.8 | 2.8 | 3.2 | 98.9 | 34 | 75 | 3162 | 82 | 3580 | 95.4 | 96.2 | 96.2 | 0.84 | 0.90 | 0.91 | 358 |
| | | 315L | 984 | 7.9 | 3.5 | 3.4 | 199 | 38 | 84 | 3367 | 77 | 1790 | 95.4 | 96.2 | 96.2 | 0.71 | 0.81 | 0.85 | 384 |
| | | 355M/L | 1474 | 7.0 | 2.6 | 2.8 | 356 | 51 | 112 | 4344 | 77 | 1195 | 95.1 | 95.5 | 95.9 | 0.61 | 0.73 | 0.78 | 419 |
| 260 | 350 | 355M/L | 506 | 7.9 | 2.4 | 3.3 | 120 | 54 | 119 | 3671 | 84 | 3585 | 94.5 | 95.8 | 96.2 | 0.86 | 0.90 | 0.91 | 373 |
| | | 315L | 1013 | 7.9 | 3.5 | 3.4 | 199 | 38 | 84 | 3367 | 77 | 1790 | 95.4 | 96.2 | 96.2 | 0.71 | 0.81 | 0.85 | 384 |
| | | 355M/L | 1517 | 7.0 | 2.6 | 2.8 | 356 | 51 | 112 | 4344 | 77 | 1195 | 95.1 | 95.5 | 95.9 | 0.61 | 0.73 | 0.78 | 436 |
| 280 | 380 | 355M/L | 549 | 7.9 | 2.3 | 3 | 132 | 41 | 90 | 3861 | 84 | 3585 | 94.5 | 95.8 | 96.2 | 0.88 | 0.92 | 0.92 | 397 |
| | | 355M/L | 1100 | 7.9 | 2.9 | 3.2 | 229 | 42 | 92 | 3737 | 78 | 1790 | 95.4 | 96.2 | 96.2 | 0.72 | 0.81 | 0.85 | 430 |
| | | 355M/L | 1647 | 7.0 | 2.4 | 2.7 | 356 | 38 | 84 | 4344 | 77 | 1195 | 95.1 | 95.7 | 96.0 | 0.61 | 0.73 | 0.78 | 469 |
| 315 | 430 | 355M/L | 621 | 7.9 | 2.5 | 3.1 | 142 | 45 | 99 | 4053 | 84 | 3585 | 95.4 | 96.2 | 96.2 | 0.88 | 0.92 | 0.92 | 447 |
| | | 355M/L | 1245 | 8.1 | 3.1 | 3.5 | 254 | 41 | 90 | 3907 | 78 | 1790 | 95.4 | 96.2 | 96.5 | 0.65 | 0.77 | 0.83 | 494 |
| 355 | 480 | 355M/L | 1389 | 7.8 | 2.7 | 2.9 | 275 | 37 | 81 | 4141 | 78 | 1790 | 95.8 | 96.2 | 96.5 | 0.74 | 0.83 | 0.85 | 543 |

Super Premium Efficiency Motors

| Output | | Frame | Full Load Torque (ft.lb) | Locked Rotor Current | | Locked Rotor Torque Tl/Tn | Break-down Torque Tb/Tn | Inertia J (lb-ft ²) | Allowable locked rotor time (s) | | Weight (lb) | Sound dB(A) | Service Factor | 460 V | | | | | | | | |
|--------|------|---------|--------------------------|----------------------|-----|---------------------------|-------------------------|---------------------------------|---------------------------------|-----|-------------|-------------|----------------|-------------------|----------------|------|------|--------------|------|------|--------------------------|--|
| | | | | | | | | | | | | | | Rated speed (rpm) | % of full load | | | | | | Full load current in (A) | |
| | | | | | | | | | | | | | | | Efficiency | | | Power Factor | | | | |
| | | | | | | | | | | | | | | | 50 | 75 | 100 | 50 | 75 | 100 | | |
| HP | kW | | Code | II/In | | | | Hot | Cold | | | | | | | | | | | | | |
| 1 | 0.75 | 143/5T | 1.49 | J | 7.2 | 2.5 | 3.0 | 0.0415 | 36 | 79 | 39.7 | 68.0 | 1.25 | 3485 | 81.5 | 82.5 | 84.0 | 0.69 | 0.79 | 0.83 | 1.35 | |
| 1 | 0.75 | L143T | 2.94 | L | 9.0 | 2.6 | 3.3 | 0.1554 | 33 | 73 | 50.7 | 51.0 | 1.25 | 1760 | 84.0 | 86.5 | 87.5 | 0.59 | 0.70 | 0.79 | 1.33 | |
| 1.5 | 1.1 | 143/5T | 2.23 | K | 8.4 | 3.0 | 3.5 | 0.0470 | 29 | 64 | 41.9 | 68.0 | 1.25 | 3485 | 84.0 | 85.5 | 86.5 | 0.67 | 0.78 | 0.83 | 1.92 | |
| 1.5 | 1.1 | L143/5T | 4.42 | L | 8.8 | 2.8 | 3.4 | 0.1815 | 20 | 44 | 55.1 | 51.0 | 1.25 | 1760 | 85.5 | 87.5 | 88.5 | 0.62 | 0.74 | 0.81 | 1.93 | |
| 2 | 1.5 | 143/5T | 2.97 | K | 8.2 | 3.2 | 3.6 | 0.0610 | 23 | 51 | 50.7 | 68.0 | 1.25 | 3490 | 85.5 | 87.5 | 87.5 | 0.69 | 0.80 | 0.84 | 2.56 | |
| 2 | 1.5 | L143/5T | 5.89 | L | 8.6 | 2.9 | 3.6 | 0.1815 | 14 | 31 | 57.3 | 51.0 | 1.25 | 1760 | 86.5 | 87.5 | 88.5 | 0.61 | 0.74 | 0.81 | 2.63 | |
| 3 | 2.2 | 182T | 4.42 | K | 8.5 | 2.4 | 3.6 | 0.1920 | 50 | 110 | 88.2 | 69.0 | 1.25 | 3520 | 84.0 | 86.5 | 88.5 | 0.70 | 0.81 | 0.85 | 3.67 | |
| 3 | 2.2 | 182/4T | 8.81 | K | 8.3 | 2.3 | 3.2 | 0.4017 | 36 | 79 | 92.6 | 56.0 | 1.25 | 1765 | 87.5 | 88.5 | 91.0 | 0.63 | 0.75 | 0.81 | 3.75 | |
| 3 | 2.2 | 213/5T | 13.2 | K | 7.2 | 1.8 | 2.9 | 1.53 | 90 | 198 | 172 | 55.0 | 1.25 | 1175 | 87.5 | 89.5 | 90.2 | 0.51 | 0.63 | 0.71 | 4.31 | |
| 5 | 3.7 | 182/4T | 7.39 | J | 8.2 | 2.4 | 3.5 | 0.2233 | 30 | 66 | 94.8 | 69.0 | 1.25 | 3505 | 87.5 | 88.5 | 90.2 | 0.73 | 0.83 | 0.86 | 5.99 | |
| 5 | 3.7 | L182/4T | 14.8 | J | 7.5 | 2.3 | 3.1 | 0.4877 | 20 | 44 | 101 | 56.0 | 1.25 | 1755 | 88.5 | 90.2 | 91.0 | 0.61 | 0.73 | 0.80 | 6.38 | |
| 5 | 3.7 | L213/5T | 22.1 | J | 7.0 | 1.9 | 2.5 | 1.80 | 70 | 154 | 198 | 55.0 | 1.25 | 1170 | 89.5 | 91.0 | 91.0 | 0.56 | 0.68 | 0.75 | 6.80 | |
| 7.5 | 5.5 | 213/5T | 11.0 | J | 7.6 | 2.3 | 3.3 | 0.5548 | 37 | 81 | 141 | 72.0 | 1.25 | 3530 | 87.5 | 89.5 | 91.0 | 0.73 | 0.82 | 0.86 | 8.82 | |
| 7.5 | 5.5 | L213T | 22.0 | K | 8.5 | 2.3 | 3.5 | 1.51 | 20 | 44 | 172 | 58.0 | 1.25 | 1770 | 91.0 | 92.4 | 93.0 | 0.65 | 0.76 | 0.83 | 8.94 | |
| 7.5 | 5.5 | 254/6T | 33.1 | H | 6.8 | 2.5 | 3.1 | 4.57 | 50 | 110 | 304 | 59.0 | 1.25 | 1175 | 90.2 | 91.7 | 92.4 | 0.60 | 0.72 | 0.79 | 9.46 | |
| 10 | 7.5 | 213/5T | 14.7 | J | 8.0 | 2.4 | 3.2 | 0.7185 | 34 | 75 | 172 | 72.0 | 1.25 | 3535 | 89.5 | 91.0 | 91.7 | 0.77 | 0.85 | 0.89 | 11.5 | |
| 10 | 7.5 | L213/5T | 29.4 | K | 8.4 | 2.3 | 3.5 | 1.78 | 16 | 35 | 181 | 58.0 | 1.25 | 1765 | 91.7 | 92.4 | 93.0 | 0.66 | 0.78 | 0.84 | 12.0 | |
| 10 | 7.5 | 254/6T | 43.9 | H | 6.8 | 2.4 | 3.0 | 5.40 | 40 | 88 | 344 | 59.0 | 1.25 | 1180 | 91.0 | 92.4 | 92.4 | 0.62 | 0.74 | 0.80 | 12.7 | |
| 15 | 11 | 254T | 21.9 | J | 7.7 | 2.7 | 3.5 | 1.56 | 28 | 62 | 273 | 72.0 | 1.25 | 3545 | 90.2 | 91.7 | 92.4 | 0.72 | 0.82 | 0.86 | 17.4 | |
| 15 | 11 | 254/6T | 43.8 | K | 8.5 | 2.8 | 3.3 | 3.66 | 20 | 44 | 280 | 64.0 | 1.25 | 1775 | 91.7 | 93.0 | 93.6 | 0.66 | 0.76 | 0.83 | 17.8 | |
| 15 | 11 | 284/6T | 65.9 | H | 7.1 | 2.6 | 3.0 | 7.69 | 25 | 55 | 410 | 59.0 | 1.25 | 1180 | 91.7 | 92.4 | 93.0 | 0.65 | 0.76 | 0.82 | 18.1 | |
| 20 | 15 | 254/6T | 29.2 | H | 7.6 | 2.6 | 3.4 | 1.91 | 23 | 51 | 311 | 72.0 | 1.25 | 3545 | 91.0 | 92.4 | 93.0 | 0.75 | 0.84 | 0.88 | 23.0 | |
| 20 | 15 | 254/6T | 58.5 | J | 7.4 | 2.6 | 3.0 | 4.29 | 30 | 66 | 326 | 64.0 | 1.25 | 1770 | 93.0 | 93.6 | 94.1 | 0.63 | 0.75 | 0.81 | 24.7 | |
| 20 | 15 | 284/6T | 87.8 | J | 7.4 | 2.7 | 3.0 | 9.29 | 20 | 44 | 474 | 59.0 | 1.25 | 1180 | 91.7 | 92.4 | 93.0 | 0.67 | 0.78 | 0.83 | 24.4 | |
| 25 | 18.5 | 284/6T | 36.5 | H | 7.5 | 2.4 | 3.3 | 2.68 | 20 | 44 | 386 | 72.0 | 1.25 | 3550 | 91.7 | 93.0 | 93.6 | 0.75 | 0.83 | 0.87 | 28.5 | |
| 25 | 18.5 | 284/6T | 73.0 | K | 8.3 | 3.0 | 3.4 | 4.94 | 26 | 57 | 406 | 64.0 | 1.25 | 1775 | 93.0 | 94.1 | 94.5 | 0.62 | 0.74 | 0.81 | 30.3 | |
| 25 | 18.5 | 324/6T | 109 | J | 7.3 | 2.6 | 3.1 | 11.2 | 30 | 66 | 527 | 62.0 | 1.25 | 1185 | 92.4 | 93.6 | 94.1 | 0.61 | 0.73 | 0.80 | 30.8 | |
| 30 | 22 | 284/6T | 43.8 | H | 7.5 | 2.4 | 3.3 | | 19 | 42 | 437 | 72.0 | 1.25 | 3550 | 92.4 | 93.6 | 93.6 | 0.76 | 0.84 | 0.88 | 33.5 | |
| 30 | 22 | 284/6T | 87.6 | J | 8.0 | 3.2 | 3.5 | 5.67 | 25 | 55 | 450 | 64.0 | 1.25 | 1775 | 93.0 | 94.1 | 94.5 | 0.64 | 0.76 | 0.82 | 35.6 | |
| 30 | 22 | 324/6T | 131 | H | 7.0 | 2.6 | 3.0 | 12.9 | 27 | 59 | 584 | 62.0 | 1.25 | 1185 | 92.4 | 93.6 | 94.1 | 0.60 | 0.73 | 0.80 | 36.7 | |
| 40 | 30 | 324/6TS | 58.1 | H | 7.5 | 2.8 | 3.0 | 4.63 | 27 | 59 | 547 | 76.0 | 1.25 | 3565 | 92.4 | 94.1 | 94.1 | 0.74 | 0.83 | 0.86 | 46.5 | |
| 40 | 30 | 324/6T | 116 | K | 8.4 | 3.2 | 3.5 | 8.83 | 22 | 48 | 534 | 66.0 | 1.25 | 1780 | 93.6 | 94.5 | 95.0 | 0.64 | 0.75 | 0.81 | 48.9 | |
| 40 | 30 | 364/5T | 174 | K | 8.4 | 2.6 | 3.2 | 24.2 | 22 | 48 | 875 | 66.0 | 1.25 | 1190 | 93.6 | 94.5 | 95.0 | 0.64 | 0.76 | 0.81 | 48.9 | |
| 50 | 37 | 324/6T | 72.6 | H | 7.7 | 3.0 | 3.0 | 5.43 | 25 | 55 | 606 | 76.0 | 1.25 | 3570 | 93.0 | 94.5 | 94.5 | 0.74 | 0.83 | 0.86 | 57.1 | |
| 50 | 37 | 324/6T | 146 | H | 7.4 | 2.6 | 3.0 | 9.82 | 20 | 44 | 598 | 66.0 | 1.25 | 1780 | 94.1 | 95.0 | 95.4 | 0.62 | 0.73 | 0.81 | 60.1 | |
| 50 | 37 | 364/5T | 218 | K | 8.5 | 2.6 | 3.3 | 25.0 | 12 | 26 | 895 | 66.0 | 1.25 | 1190 | 93.6 | 94.5 | 95.0 | 0.63 | 0.75 | 0.81 | 60.3 | |
| 60 | 45 | 364/5TS | 87.1 | H | 7.9 | 2.4 | 3.2 | 8.61 | 25 | 55 | 926 | 79.0 | 1.25 | 3570 | 93.0 | 94.5 | 95.0 | 0.79 | 0.86 | 0.89 | 66.8 | |
| 60 | 45 | 364/5T | 175 | J | 8.5 | 2.7 | 3.2 | 16.9 | 24 | 53 | 897 | 67.0 | 1.25 | 1780 | 94.5 | 95.4 | 95.8 | 0.69 | 0.80 | 0.84 | 70.2 | |
| 60 | 45 | 404/5T | 262 | J | 7.9 | 2.8 | 3.2 | 39.1 | 22 | 48 | 1111 | 68.0 | 1.25 | 1185 | 94.1 | 95.0 | 95.4 | 0.65 | 0.77 | 0.82 | 72.2 | |

continued on next page

Super Premium Efficiency Motors - continued

| Output | | Frame | Full Load Torque (ft.lb) | Locked Rotor Current | | Locked Rotor Torque Tl/Tn | Break-down Torque Tb/Tn | Inertia J (lb-ft ²) | Allowable locked rotor time (s) | | Weight (lb) | Sound dB(A) | Service Factor | 460 V | | | | | | | | |
|--------|-----|---------|--------------------------|----------------------|-------|---------------------------|-------------------------|---------------------------------|---------------------------------|------|-------------|-------------|----------------|-------------------|----------------|------|------|--------------|------|------|--------------------------|--|
| | | | | | | | | | | | | | | Rated speed (rpm) | % of full load | | | | | | Full load current In (A) | |
| | | | | | | | | | | | | | | | Efficiency | | | Power Factor | | | | |
| HP | kW | | | Code | ll/In | | | | Hot | Cold | | | | | 50 | 75 | 100 | 50 | 75 | 100 | | |
| 75 | 55 | 364/5TS | 109 | H | 8.0 | 2.6 | 3.2 | 8.61 | 14 | 31 | 937 | 79.0 | 1.25 | 3570 | 93.6 | 95.0 | 95.0 | 0.77 | 0.85 | 0.88 | 82.6 | |
| 75 | 55 | 364/5T | 218 | J | 8.4 | 2.8 | 3.2 | 16.9 | 16 | 35 | 919 | 67.0 | 1.25 | 1780 | 94.5 | 95.4 | 95.8 | 0.68 | 0.78 | 0.83 | 86.8 | |
| 75 | 55 | 404/5T | 327 | J | 8.0 | 2.8 | 3.0 | 41.3 | 15 | 33 | 1125 | 68.0 | 1.25 | 1190 | 94.1 | 95.0 | 95.4 | 0.64 | 0.75 | 0.81 | 89.3 | |
| 100 | 75 | 404/5TS | 145 | H | 8.0 | 2.9 | 3.2 | 14.3 | 20 | 44 | 1180 | 79.0 | 1.25 | 3565 | 94.5 | 95.4 | 95.4 | 0.81 | 0.87 | 0.89 | 111 | |
| 100 | 75 | 404/5T | 291 | K | 8.8 | 2.7 | 3.1 | 28.7 | 12 | 26 | 1188 | 68.0 | 1.25 | 1780 | 95.4 | 95.8 | 96.2 | 0.70 | 0.80 | 0.84 | 116 | |
| 100 | 75 | 444/5T | 435 | J | 7.6 | 2.6 | 3.2 | 106 | 27 | 59 | 1896 | 69.0 | 1.25 | 1190 | 94.5 | 95.4 | 95.8 | 0.60 | 0.72 | 0.79 | 124 | |
| 125 | 90 | 444/5TS | 181 | J | 8.2 | 2.3 | 3.1 | 31.3 | 44 | 97 | 1680 | 81.0 | 1.25 | 3580 | 94.1 | 95.4 | 95.8 | 0.76 | 0.84 | 0.87 | 136 | |
| 125 | 90 | 444/5T | 363 | J | 8.2 | 2.4 | 3.0 | 58.4 | 38 | 84 | 1722 | 73.0 | 1.25 | 1785 | 95.0 | 95.8 | 96.2 | 0.68 | 0.79 | 0.84 | 140 | |
| 125 | 93 | 444/5T | 544 | J | 7.6 | 2.4 | 2.6 | 114 | 25 | 55 | 1945 | 69.0 | 1.25 | 1190 | 95.0 | 95.8 | 95.8 | 0.62 | 0.74 | 0.80 | 152 | |
| 150 | 110 | 444/5TS | 217 | H | 7.9 | 2.6 | 3.2 | 38.5 | 30 | 66 | 1863 | 81.0 | 1.25 | 3580 | 94.5 | 95.8 | 96.2 | 0.77 | 0.85 | 0.88 | 163 | |
| 150 | 110 | 444/5T | 435 | K | 8.9 | 2.5 | 3.0 | 73.0 | 30 | 66 | 1951 | 73.0 | 1.25 | 1785 | 95.4 | 96.2 | 96.5 | 0.68 | 0.79 | 0.84 | 170 | |
| 150 | 110 | 447/9T | 653 | J | 7.5 | 2.6 | 3.2 | 145 | 22 | 48 | 2256 | 70.0 | 1.25 | 1190 | 95.0 | 95.8 | 96.2 | 0.62 | 0.74 | 0.80 | 179 | |
| 200 | 150 | 445/7TS | 290 | H | 7.3 | 2.4 | 2.9 | 41.6 | 28 | 62 | 2029 | 81.0 | 1.25 | 3575 | 95.4 | 96.2 | 96.2 | 0.83 | 0.88 | 0.90 | 217 | |
| 200 | 150 | 447/9T | 580 | J | 7.7 | 2.8 | 3.0 | 98.7 | 24 | 53 | 2293 | 75.0 | 1.25 | 1785 | 95.8 | 96.5 | 96.8 | 0.66 | 0.77 | 0.83 | 234 | |
| 200 | 150 | 447/9T | 871 | J | 7.5 | 2.6 | 3.0 | 156 | 15 | 33 | 2326 | 70.0 | 1.25 | 1190 | 95.4 | 95.8 | 96.2 | 0.60 | 0.72 | 0.80 | 245 | |
| 250 | 185 | 445/7TS | 362 | H | 7.9 | 2.2 | 3.0 | 46.7 | 23 | 51 | 2183 | 81.0 | 1.25 | 3575 | 95.8 | 96.5 | 96.5 | 0.82 | 0.88 | 0.90 | 267 | |
| 250 | 185 | 447/9T | 726 | H | 7.5 | 2.7 | 2.9 | 104 | 21 | 46 | 2536 | 75.0 | 1.25 | 1785 | 96.2 | 96.5 | 96.8 | 0.68 | 0.78 | 0.84 | 286 | |
| 250 | 185 | 586/7T | 1088 | G | 6.4 | 2.1 | 2.1 | 226 | 50 | 110 | 3638 | 77.0 | 1.25 | 1190 | 95.0 | 95.9 | 96.3 | 0.67 | 0.77 | 0.81 | 298 | |

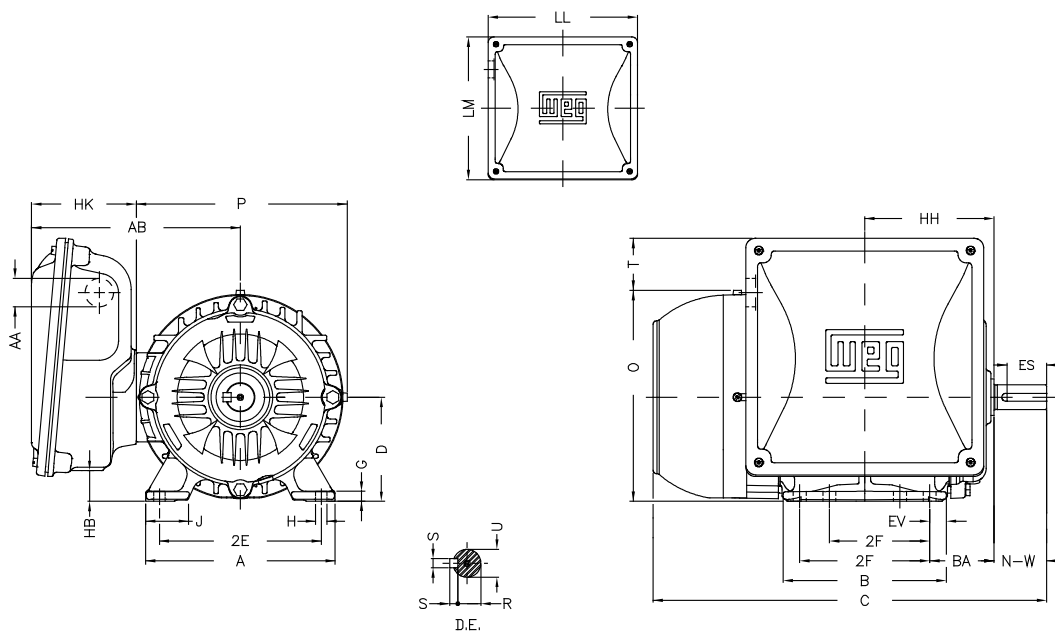
| | |
|--|-------|
| Single Phase - General Purpose - TEFC - Cast Iron | B-56 |
| Single Phase - General Purpose - TEFC - Cast Iron - C-Face | B-58 |
| Single Phase - General Purpose - TEFC - Rolled Steel - Standard Efficiency | B-60 |
| Single Phase - General Purpose - TEFC - Rolled Steel - Standard Efficiency - C-Face | B-62 |
| Single Phase - General Purpose - ODP - Rolled Steel - Standard Efficiency | B-64 |
| Single Phase - General Purpose - ODP - Rolled Steel - Standard Efficiency - C-Face | B-66 |
| Single Phase - General Purpose - ODP - Rolled Steel - Premium Efficiency | B-68 |
| Single Phase - General Purpose - ODP - Rolled Steel - Premium Efficiency - C-Face | B-70 |
| TEFC – W22 NEMA Premium® Efficiency | B-72 |
| C & D Flanges Dimensions – Valid for Cast Iron TEFC and ODP - C-Flange additional detail | B-74 |
| D-Flange additional detail | B-74 |
| Rolled Steel - General Purpose - Three Phase - TEFC | B-75 |
| Rolled Steel - General Purpose - Three Phase - ODP | B-77 |
| ODP – Cast Iron - Three Phase - General Purpose | B-78 |
| Explosion Proof - Three Phase | B-81 |
| Fractional - Three Phase - TEFC - NEMA Premium® | B-83 |
| Fractional - Three Phase - TEFC - NEMA Premium® - C-Face | B-84 |
| Fractional - Three Phase - TEFC - Standard Efficiency | B-85 |
| Fractional - Three Phase - TEFC - Standard Efficiency - C-Face | B-86 |
| Fractional - Three Phase - ODP - Premium Efficiency | B-87 |
| Fractional - Three Phase - ODP - Premium Efficiency - C-Face | B-88 |
| Fractional - Three Phase - ODP - Standard Efficiency | B-89 |
| Fractional - Three Phase - ODP - Standard Efficiency - C-Face | B-90 |
| Cooling Tower Motors - Three Phase - TEFC | B-91 |
| Cooling Tower Motors - Three Phase - TEAO | B-95 |
| CCP - JM - Three Phase - TEFC - Rolled Steel | B-98 |
| CCP - JM - Three Phase - TEFC - Cast Iron | B-100 |
| CCP - JP - Three Phase - TEFC - Rolled Steel | B-103 |
| CCP - JP - Three Phase - TEFC - Cast Iron | B-105 |
| CCP - JM - Three Phase - ODP - Rolled Steel | B-108 |
| CCP - JP - Three Phase - ODP - Rolled Steel | B-108 |
| CCP - JP and JM - Three Phase - ODP - Cast Iron | B-111 |
| IEC Metric Motors - Cast Iron Frames | B-113 |
| IEC Metric Motors - Cast Iron Frames - Additional C-Flange Detail | B-115 |
| IEC Metric Motors - Cast Iron Frames - Additional F-Flange Detail | B-116 |

Single Phase - General Purpose - TEFC - Cast Iron

| Frame | 2E | J | A | P | AB | 2F | B | EV | BA | U | N-W | Key Length |
|--------|-----|-------|-------|--------|-------|-----|-------|-------|------|-------|-------|------------|
| 143/5T | 5.5 | 1.457 | 6.457 | 7.244 | 7.126 | 4 | 6.142 | 0.571 | 2.25 | 0.875 | 2.25 | 1.575 |
| 182/4T | 7.5 | 1.614 | 8.661 | 8.937 | 8.11 | 4.5 | 6.969 | 0.734 | 2.75 | 1.125 | 2.75 | 1.969 |
| 213/5T | 8.5 | 1.791 | 9.764 | 10.787 | 9.212 | 5.5 | 8.858 | 0.929 | 3.5 | 1.375 | 3.375 | 2.48 |

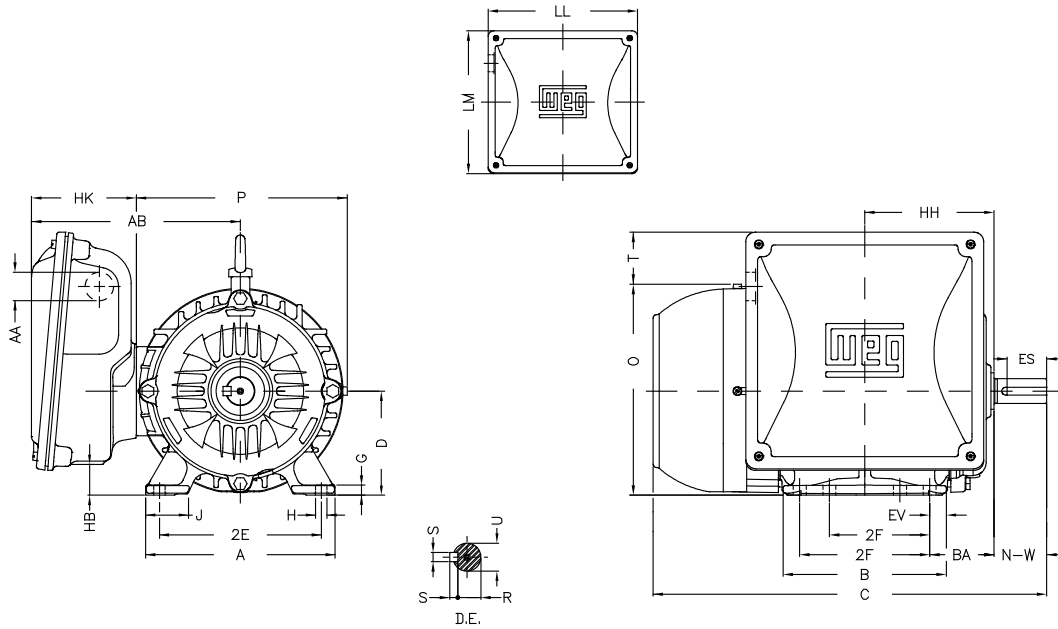
| Frame | Width | R | Depth | D | G | HB | O | HH | HK | Hole H | C | LM | S | AA | DE | NDE |
|--------|-------|-------|-------|------|-------|-------|-------|------|-------|--------|--------|-------|-------|----------|---------|---------|
| 143/5T | 0.187 | 0.766 | 0.187 | 3.5 | 0.354 | 1.043 | 7.122 | 4.75 | 3.583 | 0.34 | 14.49 | 8.11 | 0.187 | NPT 3/4" | 6205 ZZ | 6203 ZZ |
| 182/4T | 0.25 | 0.984 | 0.25 | 4.5 | 0.394 | 1.574 | 8.897 | 5.5 | 3.7 | 0.41 | 17.012 | 9.134 | 0.25 | NPT 1" | 6207 ZZ | 6206 ZZ |
| 213/5T | 0.313 | 1.203 | 0.313 | 5.25 | 0.669 | 2.362 | 10.84 | 7 | 3.7 | 0.41 | 20.095 | 9.134 | 0.313 | NPT 1" | 6308 ZZ | 6206 ZZ |

Frames 143/5

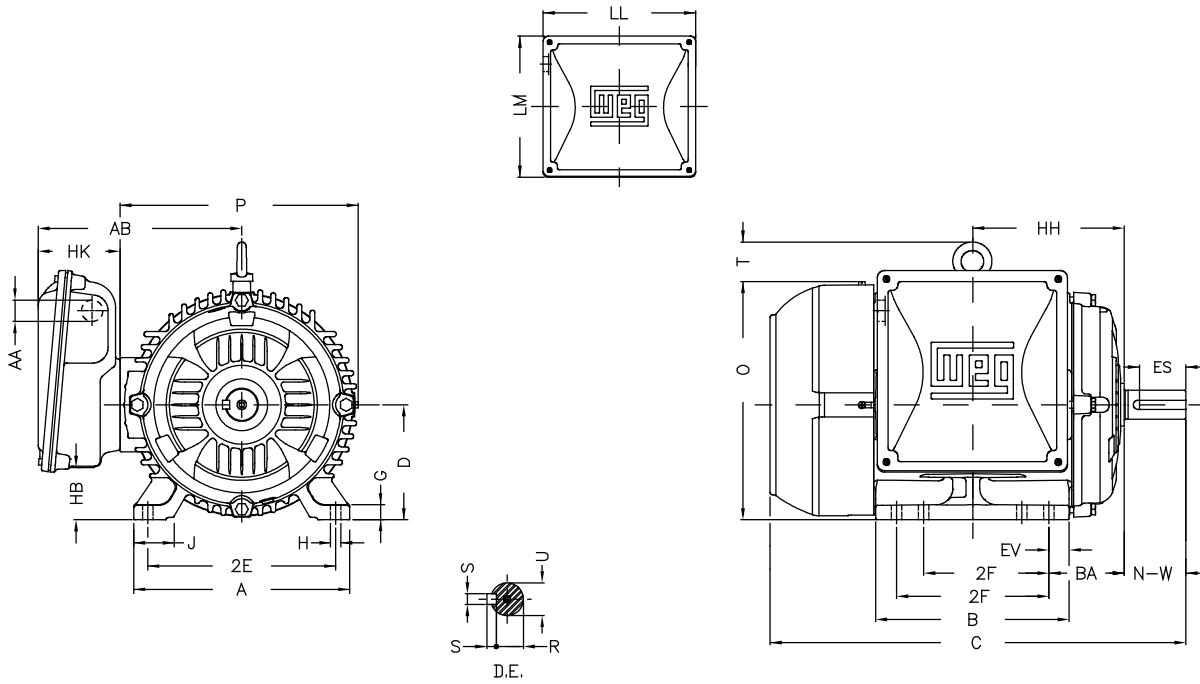


Single Phase - General Purpose - TEFC - Cast Iron

Frames 182/4



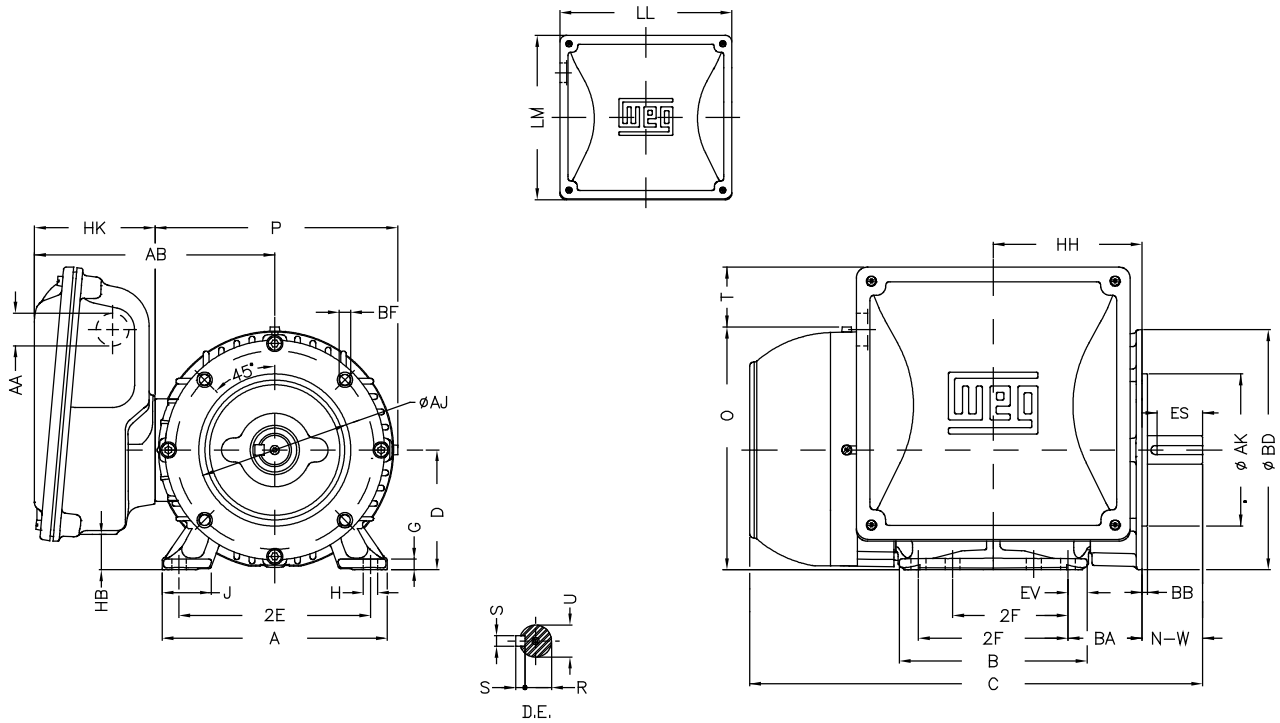
Frame 213/5



Single Phase - General Purpose - TEFC - Cast Iron - C-Face

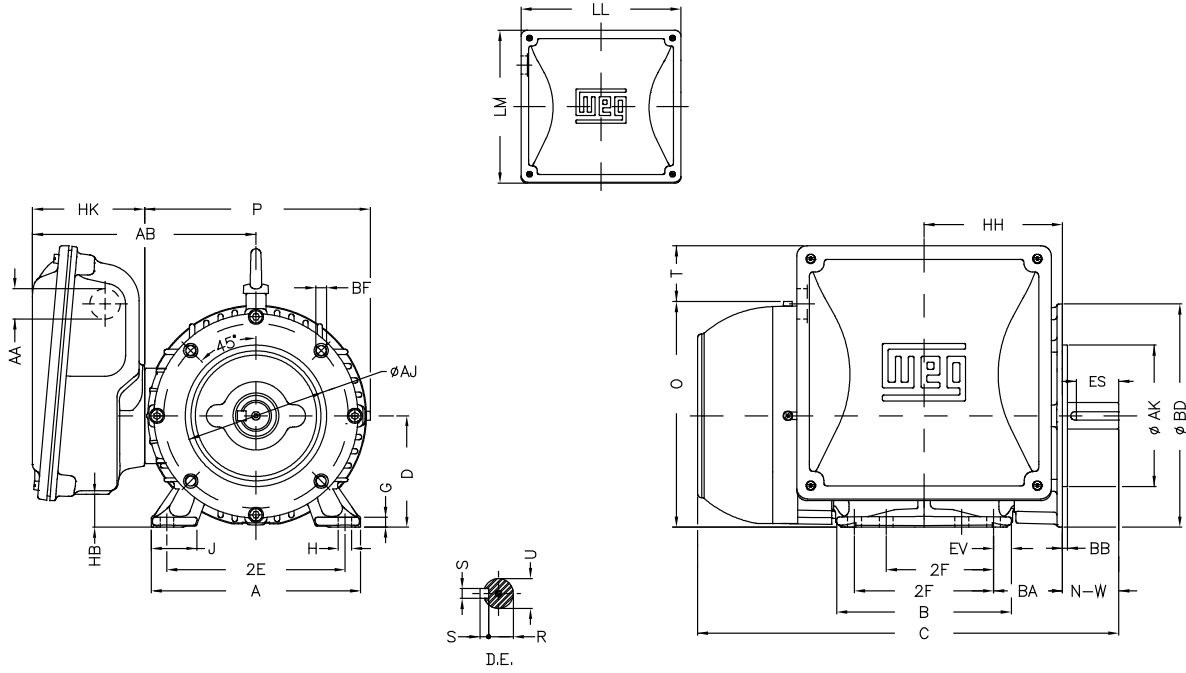
| Frame | Type | Flange | Size | BC | AJ | AK | BD | S | T | AH | Angle | BF Number |
|--------|------|--------|--------|-------|-------|-----|-------|-------------|-------|-------|-------|-----------|
| 143/5T | C | C | FC-149 | 0.125 | 5.875 | 4.5 | 6.5 | UNC 3/8"x16 | 0.157 | 2.125 | 45° | 4 |
| 182/4T | C | C | FC-184 | 0.125 | 7.25 | 8.5 | 8.875 | UNC 1/2"x13 | 0.25 | 2.625 | 45° | 4 |
| 213/5T | C | C | FC-184 | 0.25 | 7.25 | 8.5 | 8.875 | UNC 1/2"x13 | 0.25 | 3.125 | 45° | 4 |

Frames 143/5

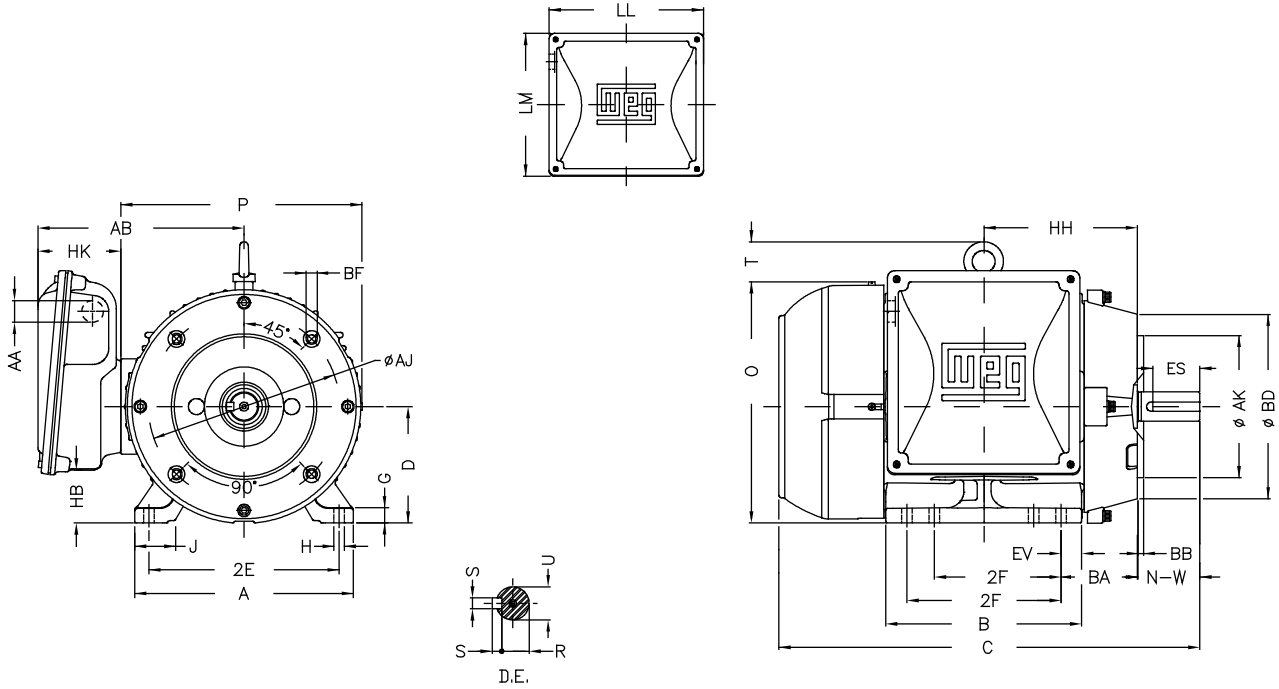


Single Phase - General Purpose - TEFC - Cast Iron - C-Face

Frames 182/4



Frame 213/5



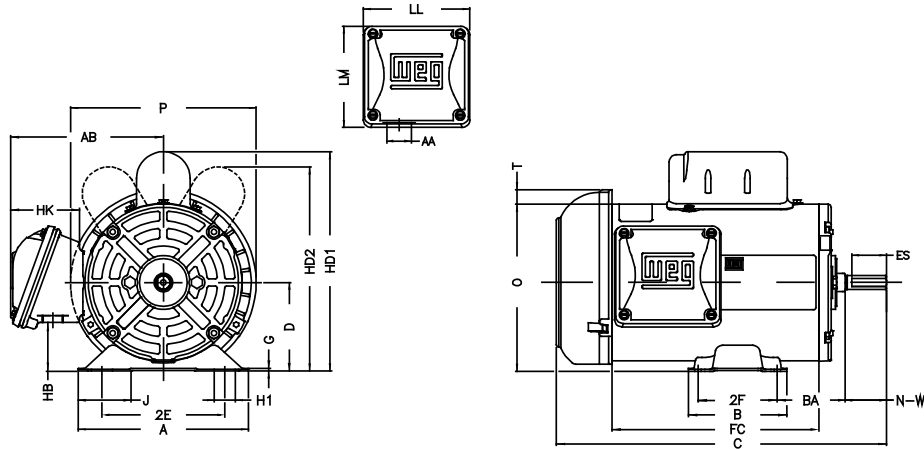
Single Phase - General Purpose - TEFC - Rolled Steel - Standard Efficiency

| Frame | 2E | J | A | P | AH | 2F | B | BA | CH | U | N-W | Key Length |
|--------|-------|-------|-------|--------|-------|-------------|-------|------|-------|-------|-------|------------|
| 48 | 4.236 | 1.835 | 6.142 | 6.693 | 1.689 | 2.748 | 3.543 | 2.5 | 1.417 | 0.5 | 1.5 | 1.26 |
| W56 | 4.874 | 1.62 | 6.535 | 6.693 | 2.063 | 3 | 4.016 | 2.75 | 1.417 | 0.625 | 1.874 | 1.417 |
| 56 | 4.874 | 1.732 | 6.535 | 7.638 | 2.062 | 3 | 4.016 | 2.75 | 1.377 | 0.625 | 1.874 | 1.417 |
| 56H | 4.874 | 1.732 | 6.535 | 7.638 | 2.062 | 3.000/5.000 | 6.496 | 2.75 | 1.377 | 0.625 | 1.874 | 1.417 |
| 143/5T | 5.5 | 1.732 | 6.535 | 7.638 | 2.132 | 4.000/5.000 | 6.496 | 2.25 | 1.377 | 0.875 | 2.25 | 1.417 |
| 182/4T | 7.5 | 1.299 | 8.661 | 9.435 | 2.62 | 4.500/5.500 | 6.299 | 2.75 | 1.377 | 1.125 | 2.75 | 1.969 |
| 213/5T | 8.5 | 1.575 | 9.449 | 10.965 | 3.129 | 5.500/7.000 | 7.953 | 3.5 | 1.929 | 1.375 | 3.38 | 2.48 |

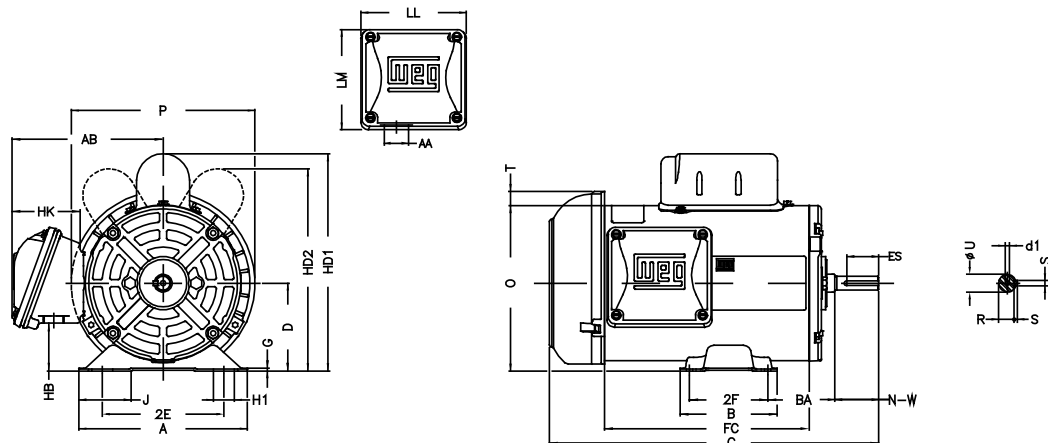
| Frame | R | Depth | D | G | O | HD | Hole H | C | AA | T | DE | NDE |
|--------|-------|-------|------|-------|--------|--------|--------|---|--------|-------|---------|---------|
| 48 | 0.451 | | 3 | 0.075 | 5.83 | 6.354 | 0.343 | * | 0.881" | 0.524 | 6203 ZZ | 6202 ZZ |
| W56 | 0.517 | 0.187 | 3.5 | 0.12 | 6.33 | 6.854 | 0.343 | * | 0.881" | 0.524 | 6203 ZZ | 6202 ZZ |
| 56 | 0.517 | 0.187 | 3.5 | 0.12 | 6.724 | 7.327 | 0.343 | * | 0.881" | 0.603 | 6203 ZZ | 6202 ZZ |
| 56H | 0.517 | 0.187 | 3.5 | 0.12 | 6.724 | 7.327 | 0.343 | * | 0.881" | 0.603 | 6204 ZZ | 6202 ZZ |
| 143/5T | 0.771 | 0.187 | 3.5 | 0.12 | 6.724 | 7.327 | 0.343 | * | 1.118" | 0.603 | 6205 ZZ | 6203 ZZ |
| 182/4T | 0.984 | 0.25 | 4.5 | 0.167 | 8.557 | 9.218 | 0.406 | * | 1.118" | 0.661 | 6206 ZZ | 6205 ZZ |
| 213/5T | 1.203 | 0.313 | 5.25 | 0.167 | 10.144 | 10.905 | 0.406 | * | 1.377" | 0.761 | 6208 ZZ | 6206 ZZ |

* Dimension changes with output speed

Frame 48

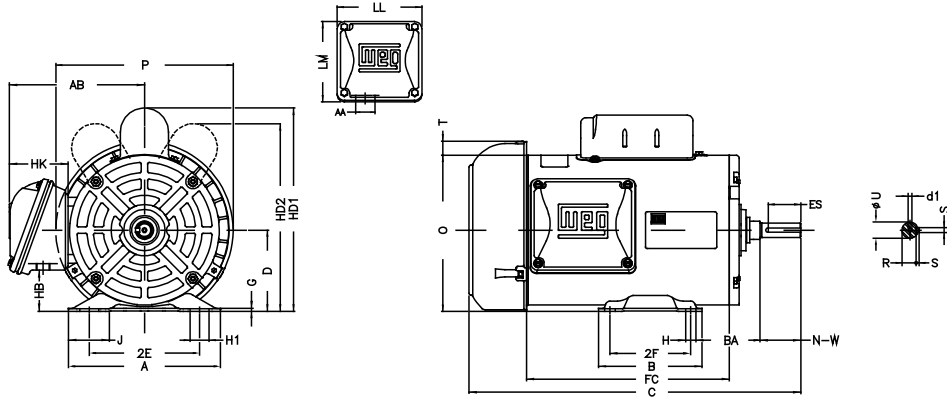


Frame W56

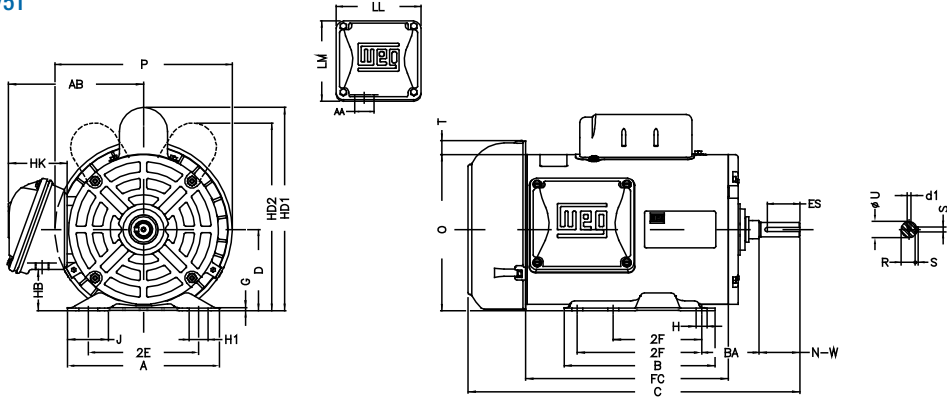


Single Phase - General Purpose - TEFC - Rolled Steel - Standard Efficiency

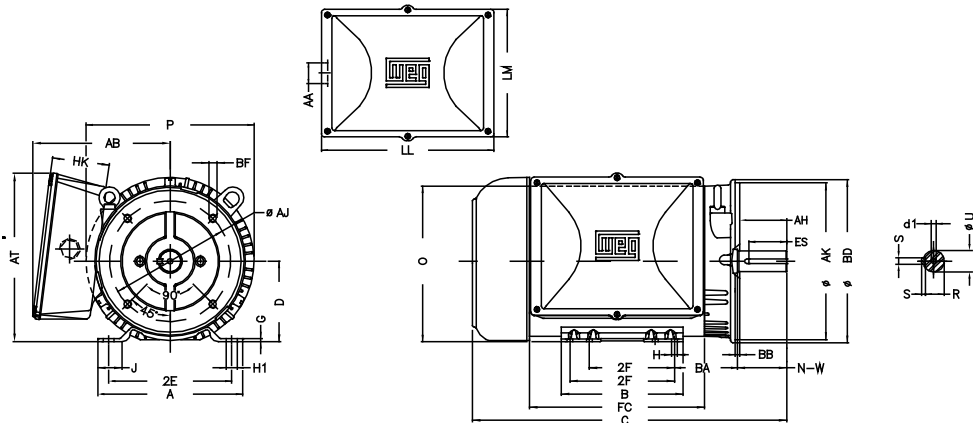
Frame 56



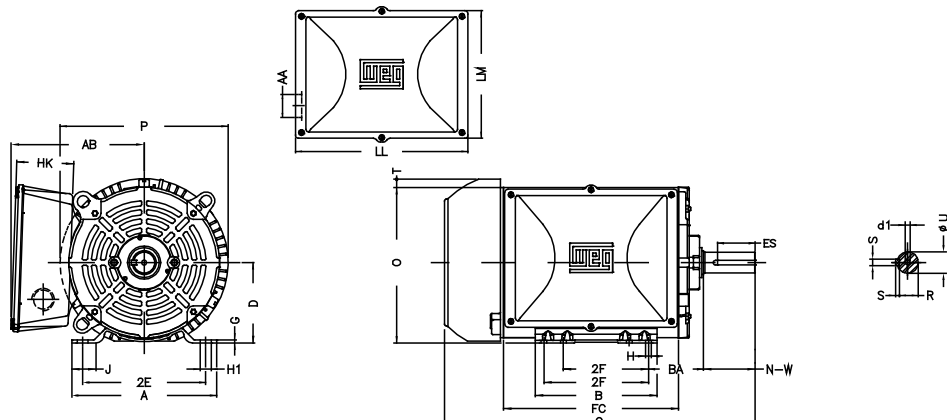
Frames 56H - 143T/5T



Frame 182/4T



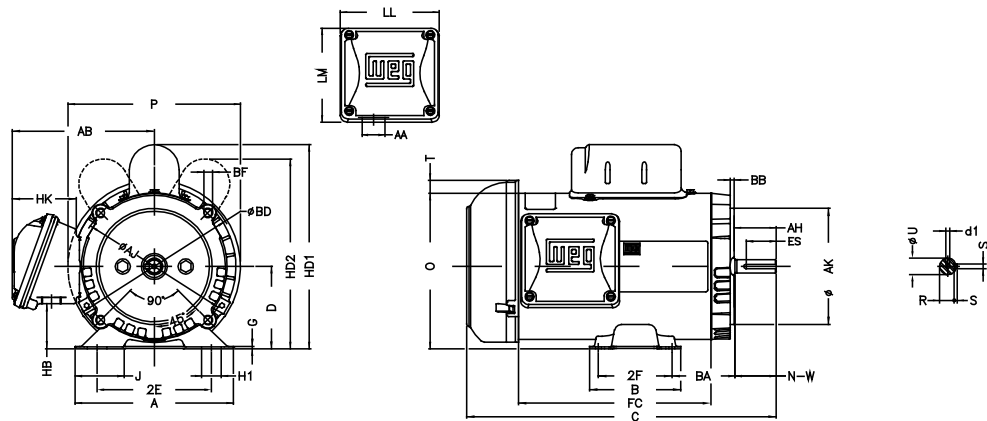
Frame 213/5T



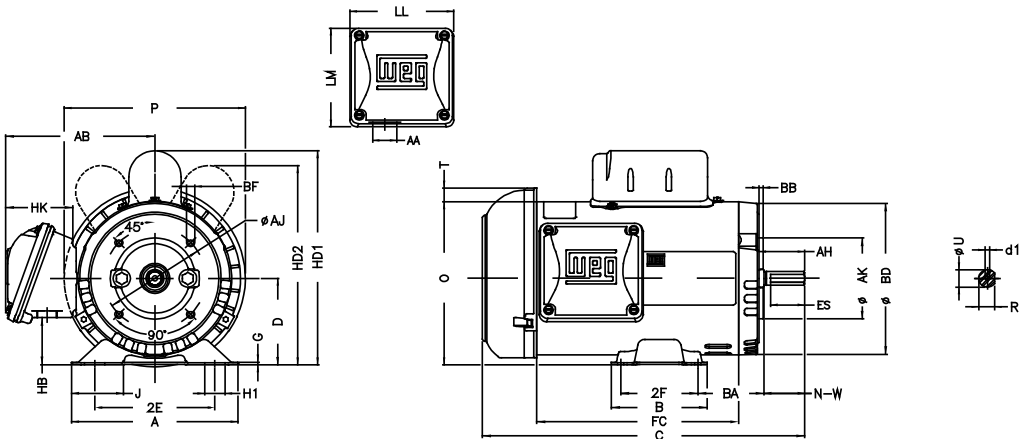
Single Phase - General Purpose - TEFC - Rolled Steel - Standard Efficiency - C-Face

| Frame | Type | Flange | Size | AJ | AK | BD | S | T | AH | Angle | BB | BF Number |
|--------|------|--------|--------|-------|-----|-------|----------------|-------|-------|-------|-------|-----------|
| W56 | C | C | FC-149 | 5.874 | 4.5 | 6.47 | UNC 3/8"x16-2B | 0.157 | 2.063 | 45° | 0.157 | 4 |
| 48 | C | C | FC-95 | 3.748 | 3 | 4.74 | UNC 1/4"x20-2B | 0.157 | 1.689 | 45° | 0.157 | 4 |
| 56 | C | C | FC-149 | 5.874 | 4.5 | 6.45 | UNC 3/8"x16-2B | 0.157 | 2.062 | 45° | 0.157 | 4 |
| 143/5T | C | C | FC-149 | 5.874 | 4.5 | 6.45 | UNC 3/8"x16 | 0.157 | 2.132 | 45° | 0.157 | 4 |
| 56H | C | C | FC-149 | 5.874 | 4.5 | 6.45 | UNC 3/8"x16-2B | 0.157 | 2.062 | 45° | 0.157 | 4 |
| 182/4T | C | C | FC-184 | 7.25 | 8.5 | 8.846 | UNC 1/2"x13 | 0.25 | 2.62 | 45° | 0.25 | 4 |
| 213/5T | C | C | FC-184 | 7.25 | 8.5 | 9.401 | UNC 1/2"x13 | 0.25 | 3.129 | 45° | 0.25 | 4 |

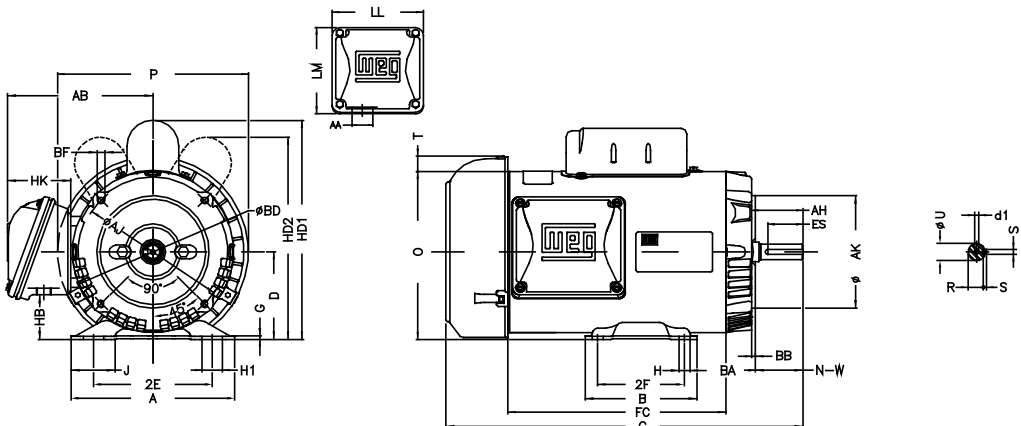
Frame W56



Frame 48

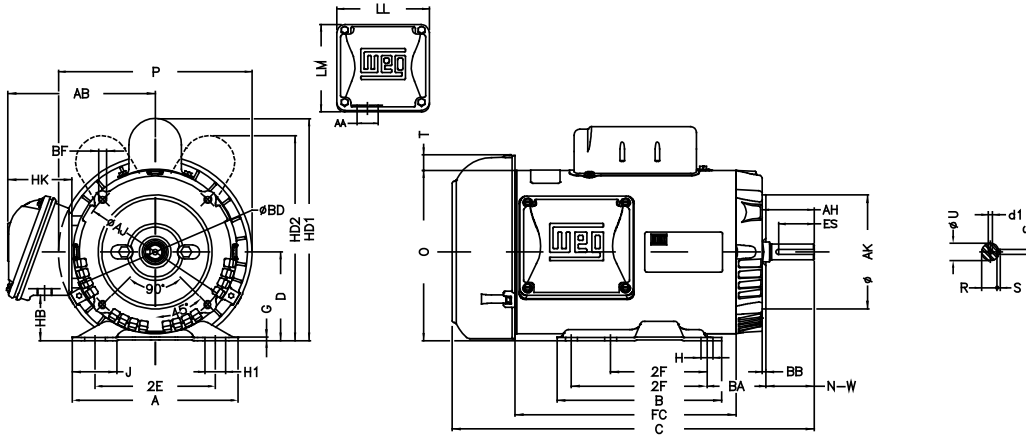


Frame 56

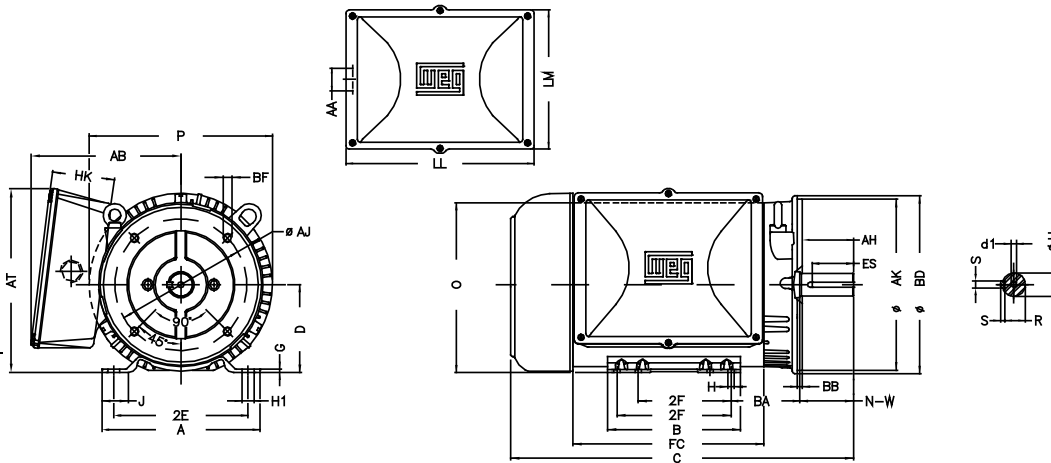


Single Phase - General Purpose - TEFC - Rolled Steel - Standard Efficiency - C-Face

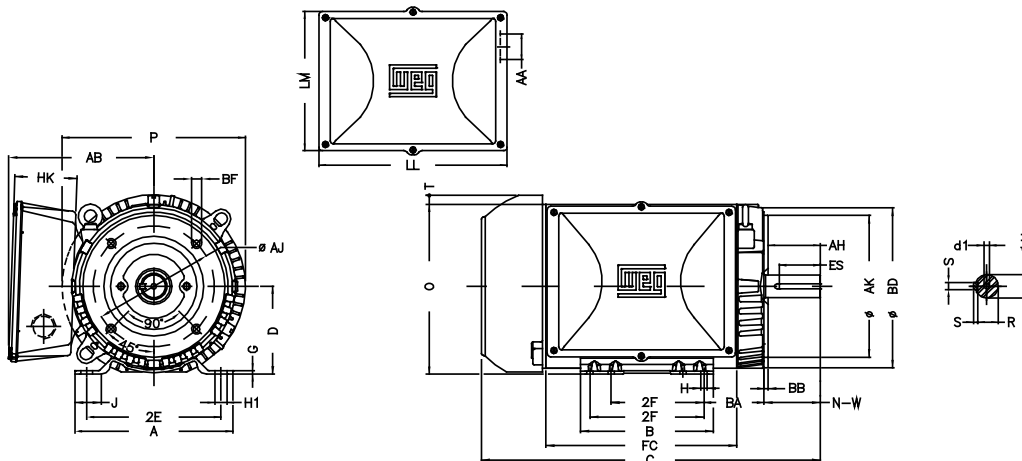
Frames 56H - 143/5T



Frame 182/4T



Frame 213/5T



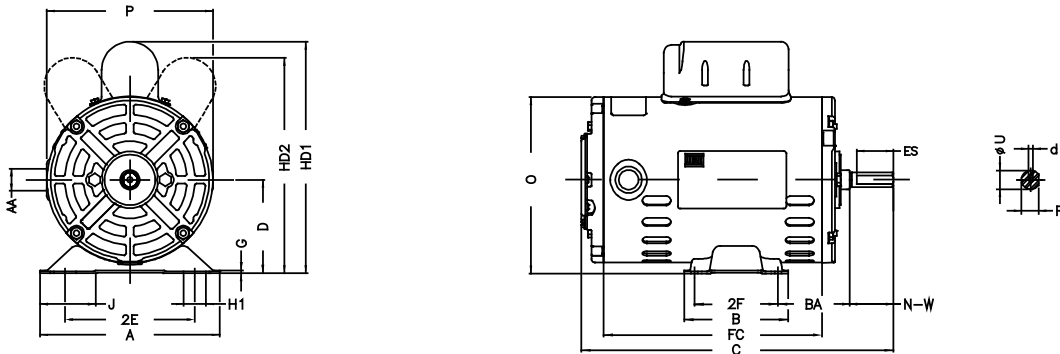
Single Phase - General Purpose - ODP - Rolled Steel - Standard Efficiency

| Frame | 2E | J | A | P | AB | AH | 2F | B | BA | CH | U | N-W | Key Length | R |
|--------|-------|-------|-------|-------|-------|-------|-------------|-------|------|-------|-------|-------|------------|-------|
| 48 | 4.236 | 1.835 | 6.142 | 5.709 | 5.52 | 1.689 | 2.748 | 3.543 | 2.5 | 1.22 | 0.5 | 1.5 | 1.26 | 0.451 |
| W56 | 4.874 | 1.62 | 6.535 | 5.709 | 5.52 | 2.063 | 3 | 4.016 | 2.75 | 1.22 | 0.625 | 1.874 | 1.417 | 0.517 |
| 56 | 4.874 | 1.732 | 6.535 | 6.456 | 3.323 | 2.062 | 3 | 4.016 | 2.75 | 1.377 | 0.625 | 1.874 | 1.417 | 0.517 |
| 56H | 4.874 | 1.732 | 6.535 | 6.456 | 5.882 | 2.062 | 3.000/5.000 | 6.496 | 2.75 | 1.377 | 0.625 | 1.874 | 1.417 | 0.517 |
| 143/5T | 5.5 | 1.732 | 6.535 | 6.467 | 5.882 | 2.132 | 4.000/5.000 | 6.496 | 2.25 | 1.377 | 0.875 | 2.25 | 1.417 | 0.771 |
| 182/4T | 7.5 | 1.299 | 8.661 | 8.114 | 6.696 | 2.62 | 4.500/5.500 | 6.299 | 2.75 | 1.377 | 1.125 | 2.75 | 1.969 | 0.984 |
| 213/5T | 8.5 | 1.575 | 9.449 | 9.846 | 7.973 | 3.129 | 5.500/7.000 | 7.953 | 3.5 | 1.929 | 1.375 | 3.38 | 2.48 | 1.203 |

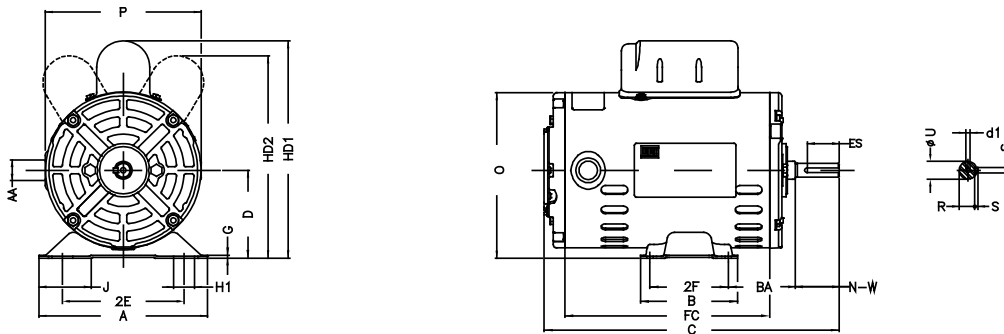
| Frame | D | G | HB | O | HD | HK | Hole H | C | LL | LM | S | AA | T | DE | NDE |
|--------|------|-------|-------|--------|--------|-------|--------|---|-------|-------|-------|----------|-------|---------|---------|
| 48 | 3 | 0.075 | 1.559 | 5.83 | 6.354 | 2.65 | 0.343 | * | 3.835 | 3.697 | | NPT 1/2" | 0.524 | 6203 ZZ | 6202 ZZ |
| W56 | 3.5 | 0.12 | 2.055 | 6.33 | 6.854 | 2.65 | 0.343 | * | 3.835 | 3.697 | 0.187 | NPT 1/2" | 0.524 | 6203 ZZ | 6202 ZZ |
| 56 | 3.5 | 0.12 | 1.784 | 6.724 | 6.728 | 2.629 | 0.343 | * | 4.563 | 4.09 | 0.187 | NPT 1/2" | 0.004 | 6203 ZZ | 6202 ZZ |
| 56H | 3.5 | 0.12 | 1.783 | 6.724 | 6.728 | 2.638 | 0.343 | * | 4.543 | 4.106 | 0.187 | NPT 1/2" | 0.004 | 6204 ZZ | 6202 ZZ |
| 143/5T | 3.5 | 0.12 | 1.783 | 6.724 | 6.728 | 2.638 | 0.343 | * | 4.543 | 4.106 | 0.187 | 1.118" | 0.004 | 6205 ZZ | 6202 ZZ |
| 182/4T | 4.5 | 0.167 | 2.784 | 8.557 | 8.557 | 2.629 | 0.406 | * | 4.563 | 4.09 | 0.25 | 1.118" | 0 | 6206 ZZ | 6205 ZZ |
| 213/5T | 5.25 | 0.167 | 2.982 | 10.144 | 10.173 | 3.022 | 0.406 | * | 5.551 | 5.25 | 0.313 | 1.377" | 0.029 | 6208 ZZ | 6206 ZZ |

Dimensions change with output speed

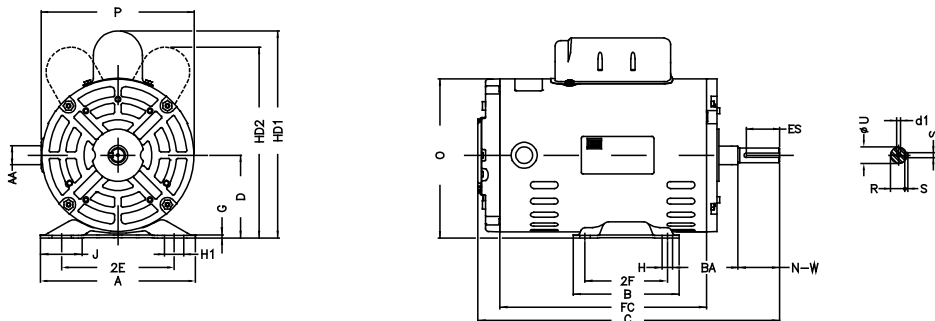
Frame 48



Frame W56

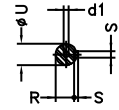
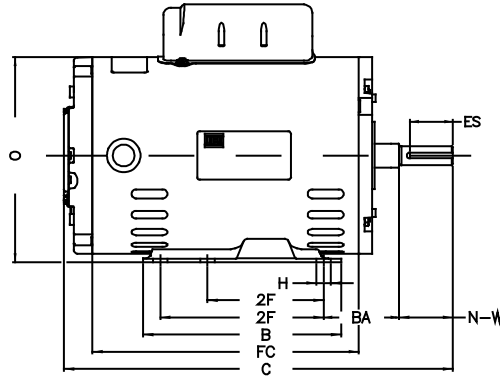
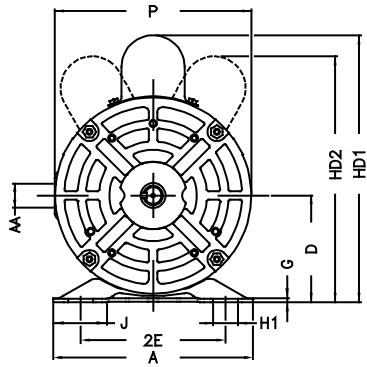


Frame 56

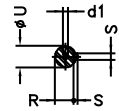
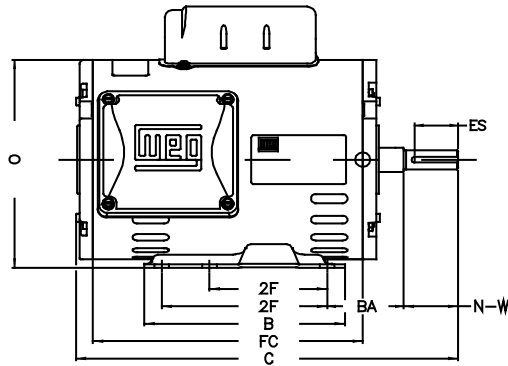
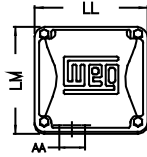
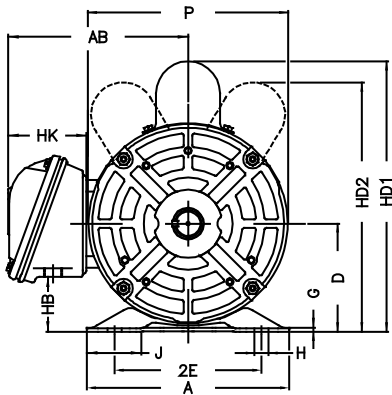


Single Phase - General Purpose - ODP - Rolled Steel - Standard Efficiency

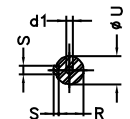
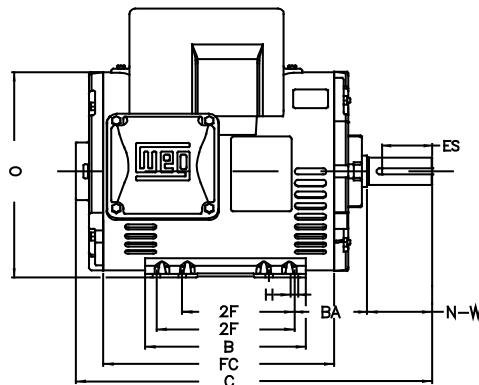
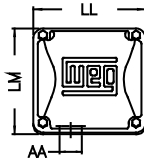
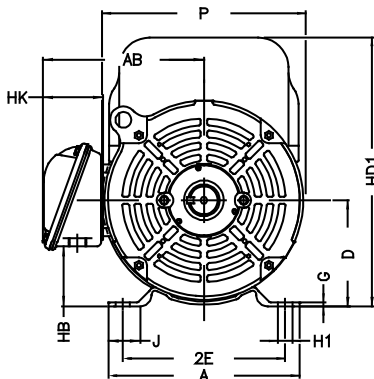
Frame 56H



Frame 143/5T



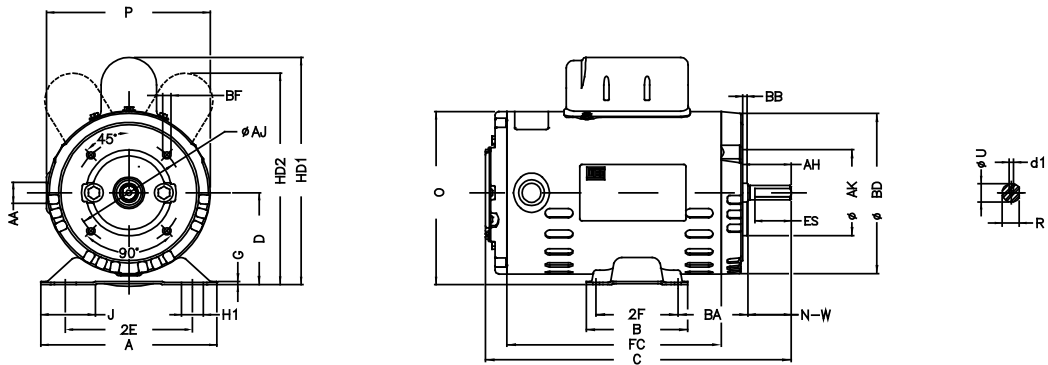
Frame 182/4T - 213/5T



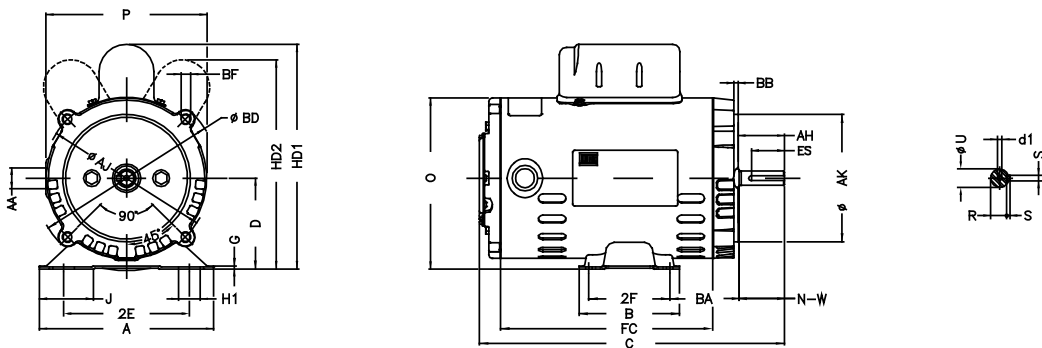
Single Phase - General Purpose - ODP - Rolled Steel - Standard Efficiency - C-Face

| Frame | Type | Flange | Size | AJ | AK | BD | S | T | AH | Angle | BF Number |
|--------|------|--------|--------|-------|-----|-------|----------------|-------|-------|-------|-----------|
| W56 | C | C | FC-149 | 5.874 | 4.5 | 6.47 | UNC 3/8"x16-2B | 0.157 | 2.063 | 45° | 4 |
| 48 | C | C | FC-95 | 3.748 | 3 | 4.74 | UNC 1/4"x20-2B | 0.157 | 1.689 | 45° | 4 |
| 56 | C | C | FC-149 | 5.874 | 4.5 | 6.45 | UNC 3/8"x16-2B | 0.157 | 2.062 | 45° | 4 |
| 143/5T | C | C | FC-149 | 5.874 | 4.5 | 6.45 | UNC 3/8"x16 | 0.157 | 2.132 | 45° | 4 |
| 56H | C | C | FC-149 | 5.874 | 4.5 | 6.45 | UNC 3/8"x16-2B | 0.157 | 2.062 | 45° | 4 |
| 182/4T | C | C | FC-184 | 7.25 | 8.5 | 8.846 | UNC 1/2"x13 | 0.25 | 2.62 | 45° | 4 |
| 213/5T | C | C | FC-184 | 7.25 | 8.5 | 9.401 | UNC 1/2"x13 | 0.25 | 3.129 | 45° | 4 |

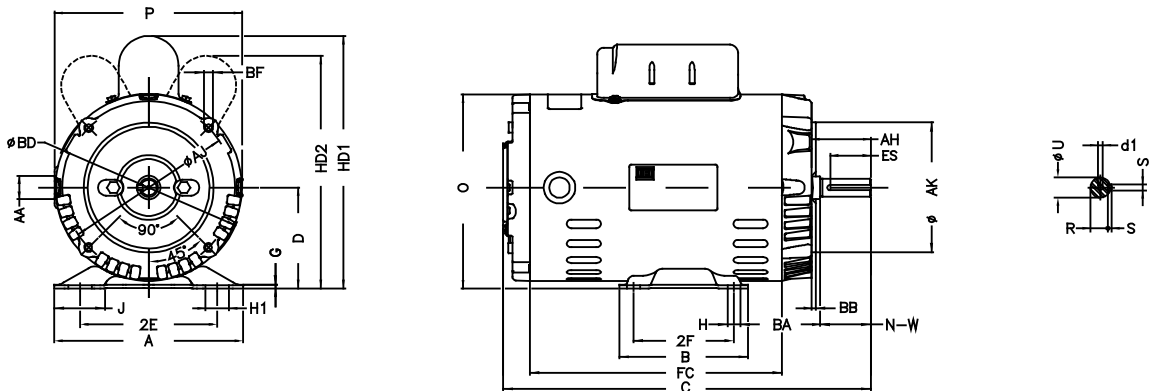
Frame 48



Frame W56

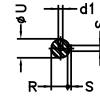
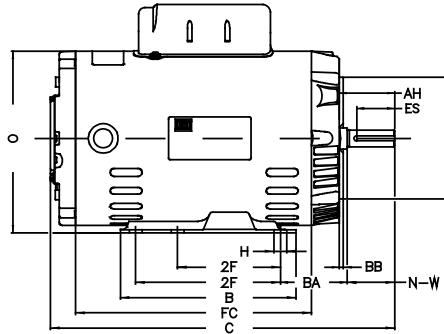
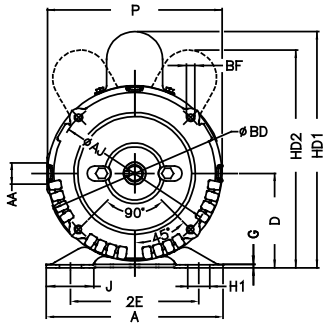


Frame 56

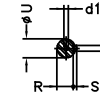
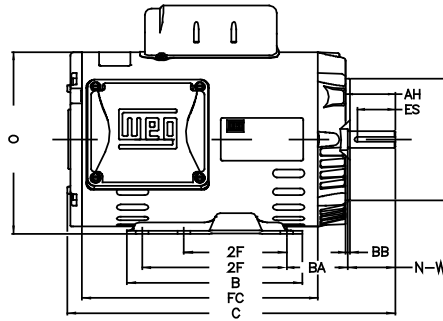
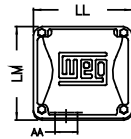
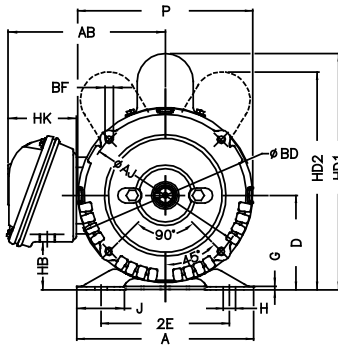


Single Phase - General Purpose - ODP - Rolled Steel - Standard Efficiency - C-Face

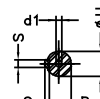
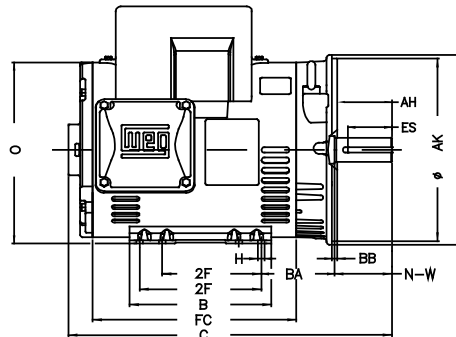
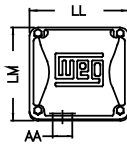
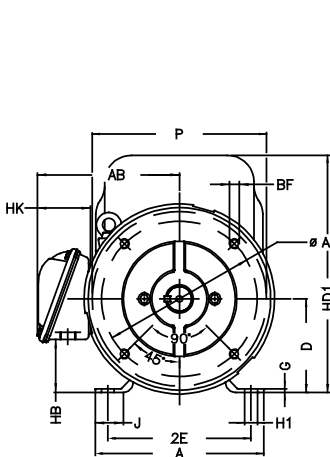
Frame 56H



Frame 143/5T



Frame 182/4T - 213/5T



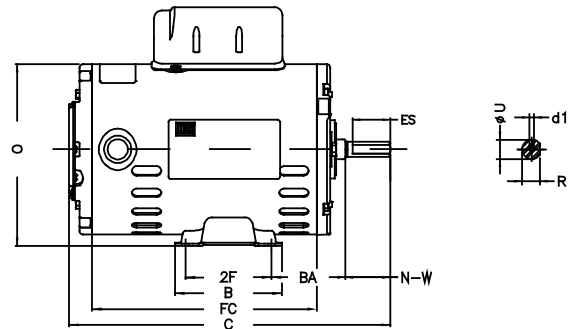
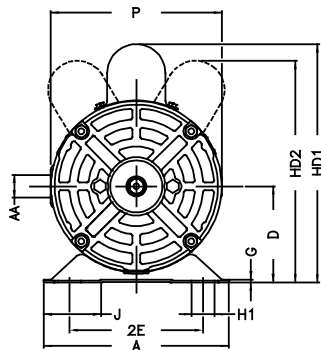
Single Phase - General Purpose - ODP - Rolled Steel - Premium Efficiency

| Frame | 2E | J | A | P | AB | AH | 2F | B | BA | CH | U | N-W | Key Length | R | Depth |
|--------|-------|-------|-------|-------|-------|-------|-------------|-------|------|-------|-------|-------|------------|-------|-------|
| 48 | 4.236 | 1.835 | 6.142 | 5.709 | 5.52 | 1.689 | 2.748 | 3.543 | 2.5 | 1.22 | 0.5 | 1.5 | 1.26 | 0.451 | |
| W56 | 4.874 | 1.62 | 6.535 | 5.709 | 5.52 | 2.063 | 3 | 4.016 | 2.75 | 1.22 | 0.625 | 1.874 | 1.417 | 0.517 | 0.187 |
| 56 | 4.874 | 1.732 | 6.535 | 6.456 | 3.323 | 2.062 | 3 | 4.016 | 2.75 | 1.377 | 0.625 | 1.874 | 1.417 | 0.517 | 0.187 |
| 56H | 4.874 | 1.732 | 6.535 | 6.456 | 5.882 | 2.062 | 3.000/5.000 | 6.496 | 2.75 | 1.377 | 0.625 | 1.874 | 1.417 | 0.517 | 0.187 |
| 143/5T | 5.5 | 1.732 | 6.535 | 6.467 | 5.882 | 2.132 | 4.000/5.000 | 6.496 | 2.25 | 1.377 | 0.875 | 2.25 | 1.417 | 0.771 | 0.187 |

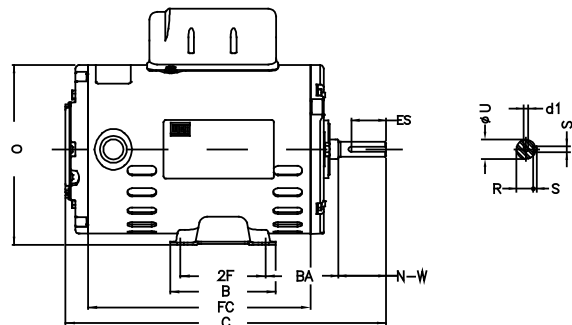
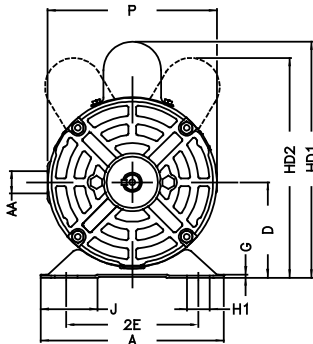
| Frame | D | G | HB | O | HD | HK | Hole H | C | LL | LM | S | T | DE | NDE |
|--------|-----|-------|-------|-------|-------|-------|--------|---|-------|-------|-------|-------|---------|---------|
| 48 | 3 | 0.075 | 1.559 | 5.83 | 6.354 | 2.65 | 0.343 | * | 3.835 | 3.697 | | 0.524 | 6203 ZZ | 6202 ZZ |
| W56 | 3.5 | 0.12 | 2.055 | 6.33 | 6.854 | 2.65 | 0.343 | * | 3.835 | 3.697 | 0.187 | 0.524 | 6203 ZZ | 6202 ZZ |
| 56 | 3.5 | 0.12 | 1.784 | 6.724 | 6.728 | 2.629 | 0.343 | * | 4.563 | 4.09 | 0.187 | 0.004 | 6203 ZZ | 6202 ZZ |
| 56H | 3.5 | 0.12 | 1.783 | 6.724 | 6.728 | 2.638 | 0.343 | * | 4.543 | 4.106 | 0.187 | 0.004 | 6204 ZZ | 6202 ZZ |
| 143/5T | 3.5 | 0.12 | 1.783 | 6.724 | 6.728 | 2.638 | 0.343 | * | 4.543 | 4.106 | 0.187 | 0.004 | 6205 ZZ | 6202 ZZ |

Dimensions change with output speed

Frame 48

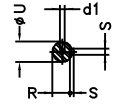
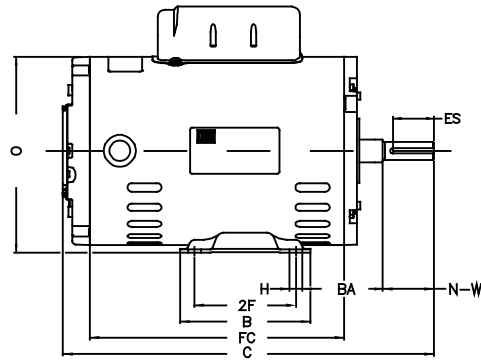
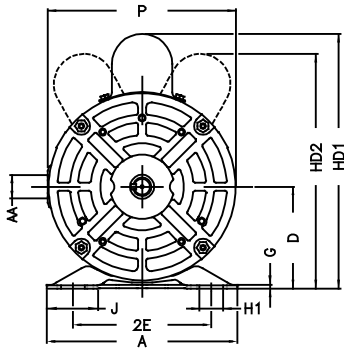


Frame W56

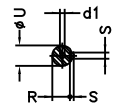
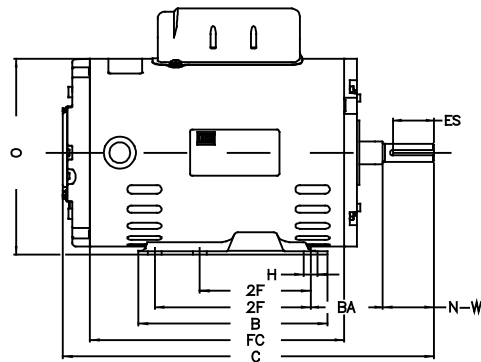
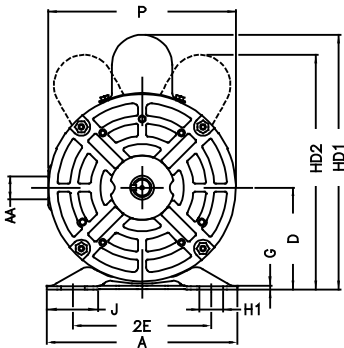


Single Phase - General Purpose - ODP - Rolled Steel - Premium Efficiency

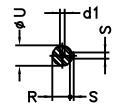
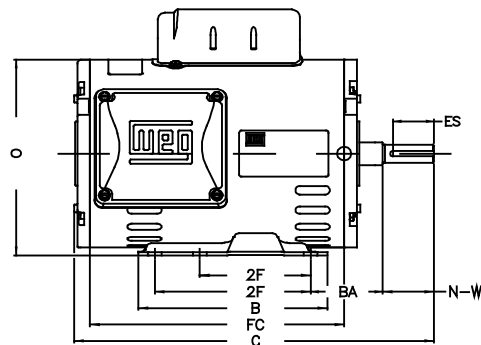
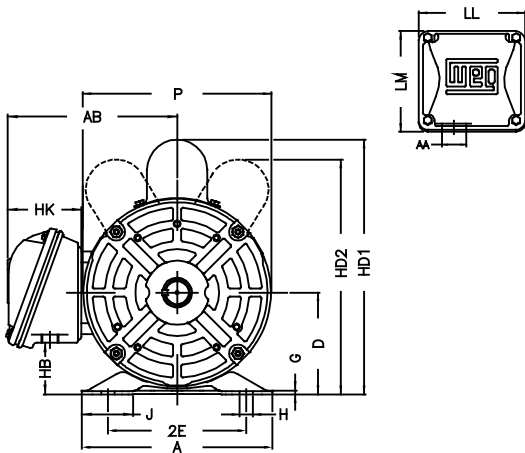
Frame 56



Frame 56H



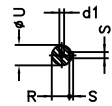
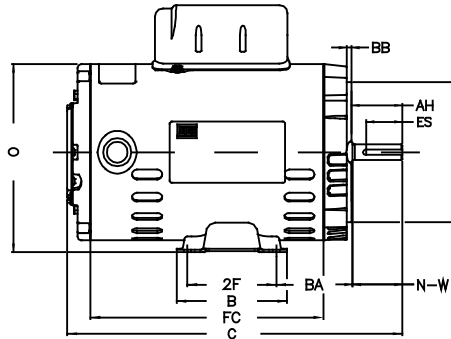
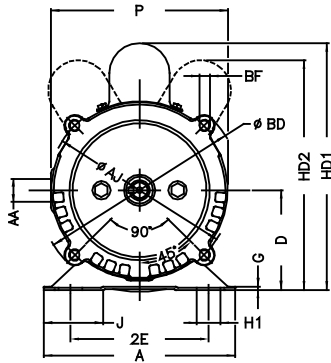
Frame 143/5T



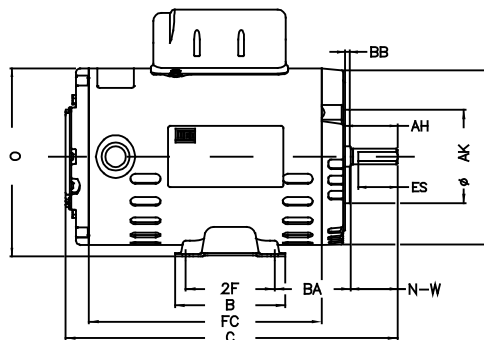
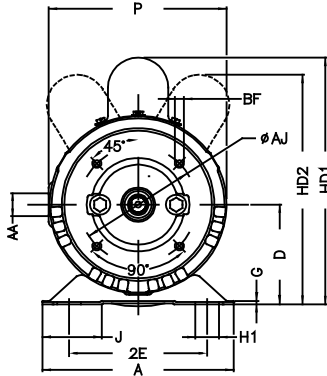
Single Phase - General Purpose - ODP - Rolled Steel - Premium Efficiency - C-Face

| Frame | Type | Flange | Size | BB | AJ | AK | BD | S | T | AH | Angle | BF Number |
|--------|------|--------|--------|-------|-------|-----|------|----------------|-------|-------|-------|-----------|
| W56 | C | C | FC-149 | 0.157 | 5.874 | 4.5 | 6.47 | UNC 3/8"x16-2B | 0.157 | 2.063 | 45° | 4 |
| 48 | C | C | FC-95 | 0.157 | 3.748 | 3 | 4.74 | UNC 1/4"x20-2B | 0.157 | 1.689 | 45° | 4 |
| 56 | C | C | FC-149 | 0.157 | 5.874 | 4.5 | 6.45 | UNC 3/8"x16-2B | 0.157 | 2.062 | 45° | 4 |
| 143/5T | C | C | FC-149 | 0.157 | 5.874 | 4.5 | 6.45 | UNC 3/8"x16 | 0.157 | 2.132 | 45° | 4 |
| 56H | C | C | FC-149 | 0.157 | 5.874 | 4.5 | 6.45 | UNC 3/8"x16-2B | 0.157 | 2.062 | 45° | 4 |

Frame W56

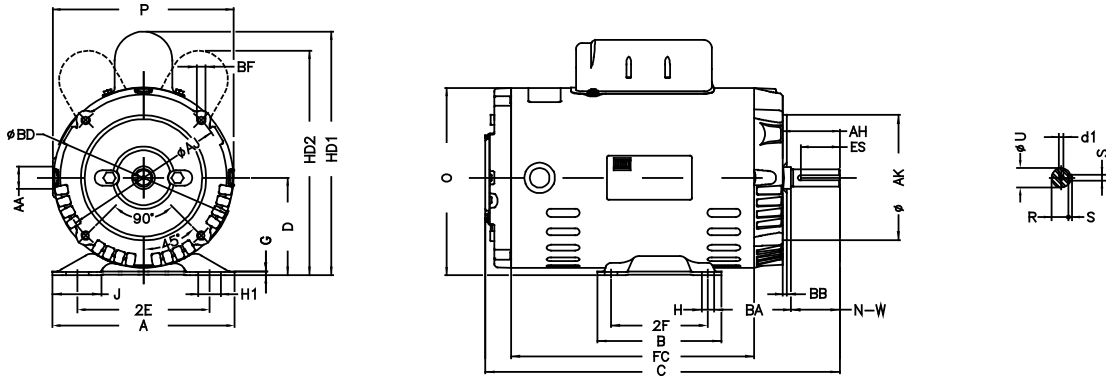


Frame 48

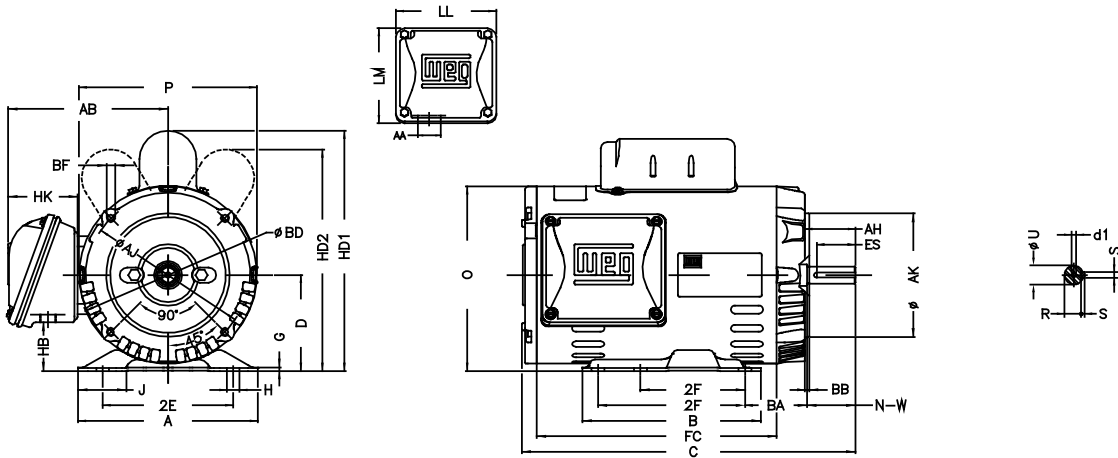


Single Phase - General Purpose - ODP - Rolled Steel - Premium Efficiency - C-Face

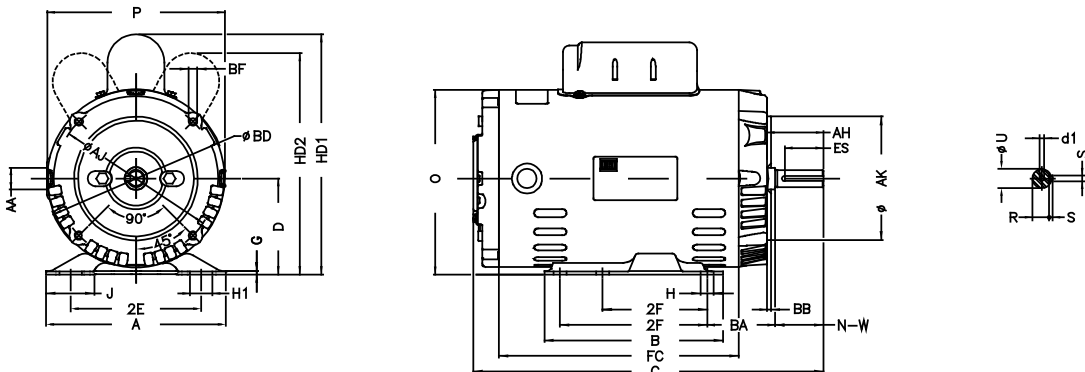
Frame 56



Frame 143/5T



Frame 56H



TEFC – W22 NEMA Premium® Efficiency

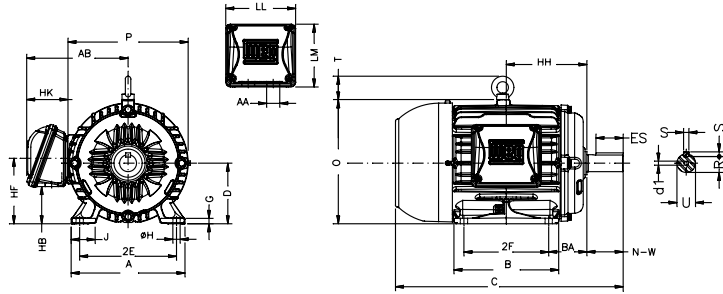
| Frame | Mounting | | | | A | B | C | D | G | J | O | K | P | T | Keyway | | | Shaft Extension | | | | | | | | | | | | | | | |
|----------|---------------|---------------|--------|---------------|---------------|--------|--------|--------|--------|--------|--------|--------|--------|--------|--------|--------|--------|-----------------|--------|--------|--------|--------|--------|--------|--------|--------|-------|--------|-------|-------|-------|-------|-------|
| | 2E | 2F | H | BA | | | | | | | | | | | S | R | ES | N-W | U | | | | | | | | | | | | | | |
| 143T | 5.500 | 4.000 | 0.344 | 2.250 | 6.457 | 5.157 | 12.346 | 3.500 | 0.354 | 1.437 | 7.122 | | 7.047 | - | 0.187 | 0.765 | 1.575 | 2.250 | 0.875 | | | | | | | | | | | | | | |
| L143T | | | | | | 13.566 | | | | | | | | | | | | | | | | | | | | | | | | | | | |
| 145T | | 6.142 | | | | | | | | | | | | | | | | | | | | | | | | | | | | | | | |
| L145T | | 14.566 | | | | | | | | | | | | | | | | | | | | | | | | | | | | | | | |
| 182T | 7.500 | 4.500 | 0.406 | 2.750 | 8.661 | 5.945 | 14.860 | 4.500 | 0.394 | 1.594 | 9.343 | - | 8.740 | 1.772 | 0.250 | 0.984 | 1.969 | 2.750 | 1.125 | | | | | | | | | | | | | | |
| L182T | | | | | | 16.041 | | | | | | | | | | | | | | | | | | | | | | | | | | | |
| 184T | | 6.969 | | | | | | | | | | | | | | | | | | | | | | | | | | | | | | | |
| L184T | | 17.041 | | | | | | | | | | | | | | | | | | | | | | | | | | | | | | | |
| 213T | 8.500 | 5.500 | 0.531 | 3.500 | 9.764 | 7.362 | 18.021 | 5.250 | 0.827 | 1.988 | 10.841 | | 10.669 | - | 0.313 | 1.203 | 2.480 | 3.375 | 1.375 | | | | | | | | | | | | | | |
| L213T | | | | | | 19.527 | | | | | | | | | | | | | | | | | | | | | | | | | | | |
| 215T | | 8.858 | | | | | | | | | | | | | | | | | | | | | | | | | | | | | | | |
| L215T | | 20.905 | | | | | | | | | | | | | | | | | | | | | | | | | | | | | | | |
| 254T | 10.000 | 8.252 | 0.660 | 4.250 | 12.126 | 10.000 | 23.213 | 6.250 | | 2.539 | 12.598 | 2.559 | 12.953 | 2.087 | 0.375 | 1.406 | 2.756 | 4.000 | 1.625 | | | | | | | | | | | | | | |
| 256T | | 10.000 | | | | 11.732 | 24.945 | | | | | | | | | | 2.480 | 3.250 | | | | | | | | | | | | | | | |
| 284TS | 11.000 | 9.500 | | | | 0.657 | 4.750 | | | | | | | | | | 13.780 | 11.575 | 25.061 | 7.000 | 1.023 | 3.110 | 14.067 | 2.874 | 14.173 | - | 0.500 | 1.594 | 3.149 | 4.622 | 1.875 | | |
| 284T | | | | | | | | | | | | | | | | | | 26.433 | 3.149 | | | | | | | | | | 4.622 | | | | |
| 286TS | | 11.000 | 11.000 | 0.810 | 7.500 | | | 21.929 | 26.557 | 26.557 | 11.000 | 1.630 | 3.937 | 22.795 | 5.866 | 23.583 | | - | 0.375 | | | | | | | | | | 1.406 | 2.480 | 3.250 | 1.625 | |
| 286T | | | | | | | | | 27.929 | 3.149 | | | | | | | | | | | | | | | | | | | | 4.622 | | | |
| 324TS | 12.500 | 10.500 | 0.657 | | | 5.250 | 15.157 | | 13.071 | 28.120 | | | | | | | 8.000 | | | 1.300 | 3.189 | 15.953 | 3.189 | 15.827 | 2.441 | 0.500 | 1.594 | 2.756 | | 3.750 | 1.875 | | |
| 324T | | | | | | | | | 29.620 | 3.149 | | | | | | | | | | | | | | | | | | 4.622 | | | | | |
| 326TS | | 12.000 | | 12.000 | 0.810 | | | 7.500 | 21.929 | 14.567 | 29.616 | 11.000 | 1.630 | 4.331 | 23.874 | 8.780 | | 25.866 | - | | | | | | | | | 0.625 | 2.021 | 3.937 | 5.250 | 2.125 | |
| 326T | | | | | | | | | | 31.116 | 3.937 | | | | | | | | | | | | | | | | | | | 5.250 | | | |
| 364/5TS | 14.016 | 11.260/12.244 | 0.660 | 5.875 | | 17.165 | 16.220 | | | 32.276 | 9.000 | | | | | | 1.480 | | | 3.150 | 17.957 | 4.921 | 17.914 | - | 0.625 | 2.019 | 3.748 | | | 1.875 | | | |
| 364/5T | | | | | | | 34.251 | | | 4.330 | | | | | | | | | | | | | | | | | 5.874 | | | | | | |
| 404/5TS | 15.984 | 12.244/13.740 | | | 0.810 | | 6.625 | 19.921 | 18.386 | 36.732 | | 10.000 | 1.811 | | 19.566 | 5.669 | | 19.134 | - | | | | | | | | 0.500 | 1.842 | 2.756 | 4.250 | 2.125 | | |
| 404/5T | | | | | | | | | 39.730 | 5.512 | | | | | | | | | | | | | | | | | | | 7.250 | | | | |
| 444/5TS | | | 18.000 | 14.500/16.500 | | 0.810 | | | 7.500 | 21.929 | 20.315 | | | | | | 41.200 | | | 11.000 | 1.630 | 3.937 | 22.795 | 5.866 | 23.583 | - | | | 0.625 | 2.021 | 3.000 | 4.750 | 2.375 |
| 444/5T | | | | | | | | | | | 44.951 | | | | | | 3.000 | | | | | | | | | | | | | | 4.750 | | |
| 445/7TS | 16.500/20.000 | 20.000/25.000 | | 0.810 | 7.500 | | 21.929 | 23.897 | | | 44.951 | 11.000 | 1.630 | 4.331 | 23.874 | 8.780 | 25.866 | - | 0.625 | | | | | | | | 2.021 | 3.000 | | | 4.750 | 2.375 | |
| 445/7T | | | | | | | | 48.701 | | | 3.000 | | | | | | | | | | | | | | | | | 4.750 | | | | | |
| 447/9TS | 20.000/25.000 | 20.000/25.000 | 0.810 | | | 7.500 | | 21.929 | 31.535 | 52.588 | 11.000 | | | | | | | | | 1.630 | 4.331 | 23.874 | 8.780 | 25.866 | - | 0.625 | | 2.021 | 3.000 | 4.750 | 2.375 | | |
| 447/9T | | | | | | | | | 56.338 | 3.000 | | | | | | | | | | | | | | | | | | | 4.750 | | | | |
| L447/9TS | 20.000/25.000 | 20.000/25.000 | | 0.810 | 7.500 | | 21.929 | | 53.431 | 53.431 | | 11.000 | 1.630 | 4.331 | 23.874 | 8.780 | 25.866 | - | 0.625 | | | | | | | | 2.021 | | 3.000 | 4.750 | 2.375 | | |
| L447/9T | | | | | | | | | 57.181 | 3.000 | | | | | | | | | | | | | | | | | | | 4.750 | | | | |
| 504/5TS | 20.000 | 16.000/18.000 | 1.250 | | | 8.500 | | 24.724 | 24.449 | 48.215 | 12.500 | | | | | | | | | 2.146 | 4.724 | 25.425 | 7.228 | 25.866 | - | 0.625 | | 2.021 | 3.000 | 4.750 | 2.375 | | |
| 504/5T | | | | | | | | | 54.095 | 3.000 | | | | | | | | | | | | | | | | | | | 4.750 | | | | |
| 586/7TS | | | | 23.000 | 22.000/25.000 | | 1.181 | | 10.000 | 29.528 | | 29.921 | 55.027 | 14.500 | 2.492 | 5.512 | 28.985 | 9.055 | 28.977 | | | | | | | | - | | 0.625 | 2.021 | 3.000 | 4.750 | 2.375 |
| 586/7T | | | | | | | | | | | | 61.902 | 3.000 | | | | | | | | | | | | | | | | | | 4.750 | | |
| 588/9TS | 28.000/32.000 | 28.000/32.000 | 1.181 | 10.000 | 29.528 | 37.980 | | 62.506 | | | 14.500 | 2.492 | 5.512 | | | | | | | 28.985 | 13.030 | 28.977 | - | 1.000 | 3.312 | 8.661 | | 11.625 | | | 3.875 | | |
| 588/9T | | | | | | 69.381 | | 8.661 | | | | | | | | | | | | | | | | | | 11.625 | | | | | | | |

| Frame | Terminal Box | | | | | | | | | | | d1 | Bearings | | | | | | | | | | | | | | |
|----------|--------------|--------|--------|--------|--------|--------|--|-------|--------|--------|-----------|------------|----------|---------|--------|--------|-------|--|-------------|-------|--------|--------|-------|-----------|---------|---------|---------|
| | AB | HB | HD | HF | HG | HH | HK | LL | LM | AA | D.E. | | N.D.E. | | | | | | | | | | | | | | |
| 143T | 6.181 | 1.728 | | 3.500 | | 4.250 | 2.638 | | 4.527 | 4.094 | NPT3/4" | | 6205 ZZ | 6204 ZZ | | | | | | | | | | | | | |
| L143T | | | | | | 4.750 | | | | | | | | | | | | | | | | | | | | | |
| 145T | | | | | | 5.000 | | | | | | | | | | | | | | | | | | | | | |
| L145T | | | | | | 5.500 | | | | | | | | | | | | | | | | | | | | | |
| 182T | 7.559 | 2.236 | | 4.500 | | 5.000 | 3.110 | | 5.512 | 5.236 | NPT1" | | 6207 ZZ | 6206 ZZ | | | | | | | | | | | | | |
| L182T | | | | | | 5.500 | | | | | | | | | | | | | | | | | | | | | |
| 184T | | | | | | 6.250 | | | | | | | | | | | | | | | | | | | | | |
| L184T | | | | | | 7.000 | | | | | | | | | | | | | | | | | | | | | |
| 213T | 8.583 | 3.006 | | 5.250 | | 7.000 | 3.110 | | 5.512 | 5.236 | NPT1" | | 6308 ZZ | 6207 ZZ | | | | | | | | | | | | | |
| L213T | | | | | | 8.376 | | | | | | | | | | | | | | | | | | | | | |
| 215T | | | | | | 9.250 | | | | | | | | | | | | | | | | | | | | | |
| L215T | | | | | | 9.500 | | | | | | | | | | | | | | | | | | | | | |
| 254T | 10.394 | 3.061 | | 6.565 | | 8.376 | 3.937 | | 7.795 | 7.402 | NPT1 1/2" | | 6311 C3 | 6211 C3 | | | | | | | | | | | | | |
| 256T | | | | | | 9.250 | | | | | | | | | | | | | | | | | | | | | |
| 284TS | | | | | | 10.984 | | | | | | | | | 3.535 | | 7.000 | | 9.500 | 3.937 | | 7.795 | 7.402 | NPT1 1/2" | | 6311 C3 | 6211 C3 |
| 284T | | | | | | | | | | | | | | | | | | | 10.250 | | | | | | | | |
| 286TS | 12.480 | 4.811 | | 8.708 | | | 10.500 | 4.645 | | 8.976 | 8.543 | NPT 2" | | 6312 C3 | | | | | 6212 C3 | | | | | | | | |
| 286T | | | | | | | 11.250 | | | | | | | | | | | | | | | | | | | | |
| 324T | 12.480 | 4.811 | | | | | 8.708 | | | | | | | | | 12.362 | 6.378 | | | 9.646 | 10.119 | NPT 3" | | 6314 C3 | 6314 C3 | | |
| 326TS | | | | | | | | | | | | | | | | 14.213 | | | | | | | | | | | |
| 326T | | | 15.748 | | | | | | | | | | | | | | | | | | | | | | | | |
| L447/9TS | | | 18.386 | 5.394 | | | | | | 15.748 | 5.787 | | 11.811 | 11.890 | | | | | UNC 3/4"-10 | | | | | | | 6316 C3 | 6316 C3 |
| 364/5TS | 12.362 | | | | | | | | | | | | | | | | | | | | | | | | | | |
| 364/5T | 14.213 | | | | | | | | | | | | | | | | | | | | | | | | | | |
| 404/5TS | 15.748 | | | | | | | | | | | | | | | | | | | | | | | | | | |
| 404/5T | 20.670 | 15.078 | 27.401 | 25.889 | 27.007 | 11.803 | 6.968 | | 14.646 | 15.040 | | 2xNPT 3" | 6319 C3 | 6319 C3 | | | | | | | | | | | | | |
| 444/5TS | | | | | | | | | | | | | | | 12.362 | | | | | | | | | | | | |
| 444/5T | | | | | | | | | | | | | | | 14.213 | | | | | | | | | | | | |
| 445/7TS | | | | | | | | | | | | | | | 15.748 | | | | | | | | | | | | |
| 445/7T | 23.071 | 15.078 | 27.401 | 25.889 | 27.007 | 11.500 | 8.464 | | 15.906 | 17.244 | | 2xNPT 3" | 6322 C3 | 6319 C3 | | | | | | | | | | | | | |
| 447/9TS | | | | | | | | | | | | | | | 12.362 | | | | | | | | | | | | |
| 447/9T | | | | | | | | | | | | | | | 14.213 | | | | | | | | | | | | |
| L447/9TS | | | | | | | | | | | | | | | 15.748 | | | | | | | | | | | | |
| 504/5TS | 20.670 | 15.275 | 30.305 | 24.291 | 29.409 | 10.394 | 6.968 | | 14.646 | 15.040 | | 2xNPT 3" | 6314 C3 | 6314 C3 | | | | | | | | | | | | | |
| 504/5T | | | | | | | | | | | | | | | 12.362 | | | | | | | | | | | | |
| 586/7TS | | | | | | | | | | | | | | | 14.213 | | | | | | | | | | | | |
| 586/7T | | | | | | | | | | | | | | | 15.748 | | | | | | | | | | | | |
| 588/9TS | 27.600 | 6.063 | 35.346 | 26.182 | 33.346 | 13.386 | 12.519 (side mounted)/ 13.977 (top mounted) | | 17.441 | 28.740 | | UNC 7/8"-9 | 6322 C3 | 6319 C3 | | | | | | | | | | | | | |
| 588/9T | | | | | | | | | | | | | 6314 C3 | 6314 C3 | | | | | | | | | | | | | |

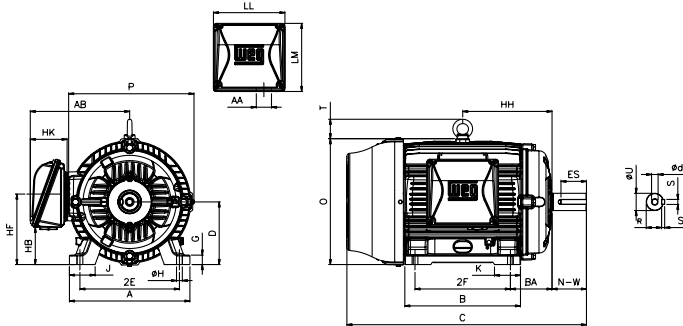
Note:
182T and 184T motors are not available in F-3 mounting.

TEFC – W22 NEMA Premium® Efficiency *continued*

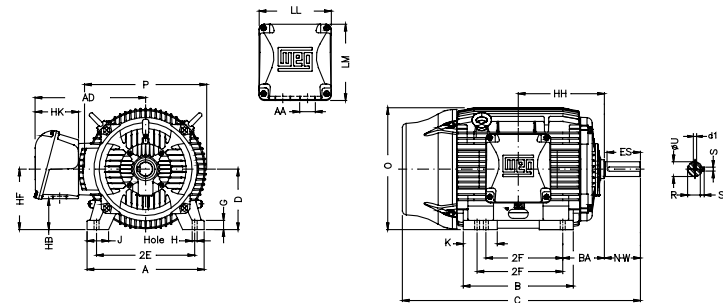
Frames 143T to 215T



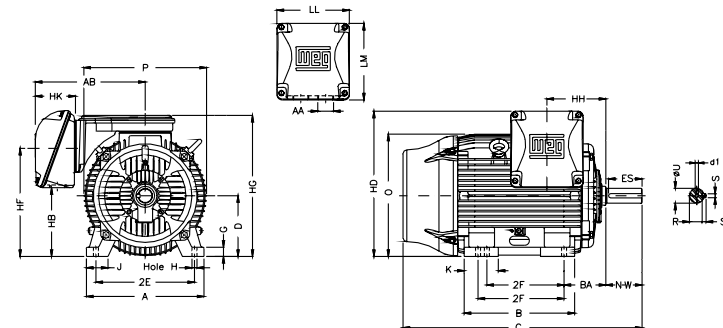
Frames 254T to 326T



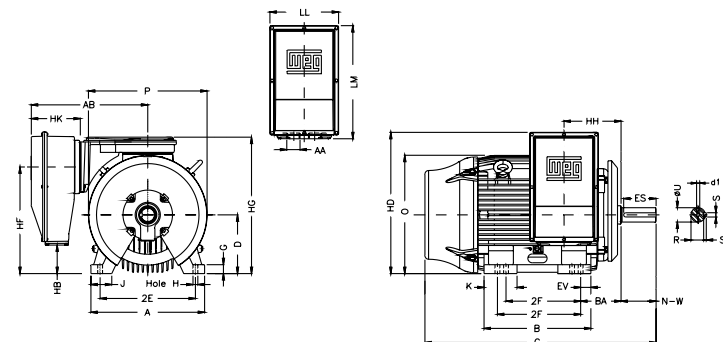
Frames 364 to 444/5T



Frames 445/7T to 586/7T

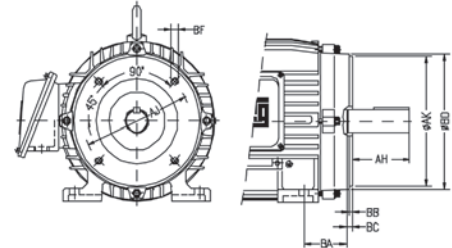


Frame 588/9T



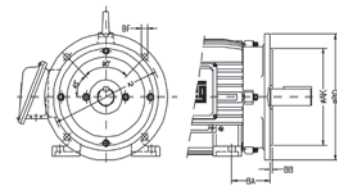
C & D Flanges Dimensions – Valid for Cast Iron TEFC and ODP - C-Flange additional detail

| Frame | Type | Size | AJ | AK | AH | BA | BB | BC | BD | BF (holes) | |
|---------|------|--------|--------|--------|--------|-------|-------|--------|--------|------------|-------------|
| | | | | | | | | | | Quantity | Thread |
| 143/5 | C | FC-140 | 5.875 | 4.500 | 2.125 | 2.250 | 0.157 | 0.125 | 6.500 | 4 | UNC 3/8"x16 |
| 182/4 | C | FC-184 | 7.250 | 8.500 | 2.625 | 2.750 | 0.125 | | 8.875 | | |
| 213/5 | C | | | | 3.125 | 3.500 | | | | | |
| 254/6 | C | | | | 3.750 | 4.250 | | | | | |
| 284/6T | C | FC-228 | 9.000 | 10.500 | 4.375 | 4.750 | 0.250 | 11.030 | 13.580 | 4 | UNC 1/2"x13 |
| 284/6TS | C | | | | 3.000 | | | | | | |
| 324/6T | C | FC-279 | 11.000 | 12.500 | 5.000 | 5.875 | 0.250 | 15.550 | 17.910 | 8 | UNC 5/8"x11 |
| 324/6TS | C | | | | 3.500 | | | | | | |
| 364/5T | C | | | | 5.625 | | | | | | |
| 364/5TS | C | | | | 3.500 | | | | | | |
| 404/5T | C | | | | 7.000 | | | | | | |
| 404/5TS | C | | | | 4.000 | | | | | | |
| 444/5T | C | FC-355 | 14.000 | 16.000 | 8.250 | 7.500 | 0.250 | 17.910 | 17.910 | 8 | UNC 5/8"x11 |
| 444/5TS | C | | | | 4.500 | | | | | | |
| 445/7T | C | | | | 8.250 | | | | | | |
| 445/7TS | C | | | | 4.500 | | | | | | |
| 447/9T | C | | | | 8.250 | | | | | | |
| 447/9TS | C | | | | 4.500 | | | | | | |
| 504/5T | C | FC-368 | 14.500 | 16.500 | 10.375 | 8.500 | 0.250 | 17.910 | 17.910 | 8 | UNC 5/8"x11 |
| 504/5TS | C | | | | 4.500 | | | | | | |
| 586/7T | C | | | | 11.375 | | | | | | |
| 586/7TS | C | | | | 4.500 | | | | | | |
| 588/9T | C | | | | 11.375 | | | | | | |
| 588/9TS | C | | | | 4.500 | | | | | | |



D-Flange additional detail

| Frame | Type | Size | AJ | AK | BA | BB | BD | BF (holes) | | | | | | | | | |
|---------|------|--------|--------|--------|--------|--------|--------|------------|--------|--------|--------|--------|--------|-------|-------|--------|--------|
| | | | | | | | | Quantity | Thread | | | | | | | | |
| 143/5 | D | FD-254 | 10.000 | 9.000 | 2.250 | 0.197 | 11.000 | 4 | 0.562 | | | | | | | | |
| 182/4 | D | | | | 2.750 | | | | | | | | | | | | |
| 213/5 | D | | | | 3.500 | | | | | | | | | | | | |
| 254/6 | D | FD-317 | 12.500 | 11.000 | 4.250 | 0.203 | 14.000 | 4 | 0.828 | | | | | | | | |
| 284/6T | D | | | | 4.750 | | | | | | | | | | | | |
| 284/6TS | D | FD-406 | 16.000 | 14.000 | 5.250 | 0.197 | 17.710 | 8 | 0.828 | | | | | | | | |
| 324/6T | D | | | | FD-508 | | | | | 20.000 | 18.000 | 7.500 | | | | | |
| 324/6TS | D | | | | | | | | | | | FD-558 | 22.000 | 8.500 | 0.250 | 24.800 | |
| 364/5T | D | | | | FD-762 | | | | | 30.000 | 30.000 | | | | | | 10.000 |
| 364/5TS | D | | | | | | | | | | | | | | | | |
| 404/5T | D | | | | FD-558 | | | | | 22.000 | 8.500 | | | | | | 0.250 |
| 404/5TS | D | FD-762 | 30.000 | 30.000 | | 10.000 | | | | | | | | | | | |
| 444/5T | D | | | | FD-508 | | 20.000 | 18.000 | 7.500 | | | | | | | | |
| 444/5TS | D | FD-558 | 22.000 | 8.500 | | 0.250 | | | | 24.800 | | | | | | | |
| 445/7T | D | | | | FD-762 | | 30.000 | 30.000 | 10.000 | | | | | | | | |
| 445/7TS | D | FD-508 | 20.000 | 18.000 | | 7.500 | | | | | | | | | | | |
| 447/9T | D | | | | FD-558 | | 22.000 | 8.500 | 0.250 | 24.800 | | | | | | | |
| 447/9TS | D | FD-762 | 30.000 | 30.000 | | 10.000 | | | | | | | | | | | |
| 504/5T | D | | | | FD-508 | | 20.000 | 18.000 | 7.500 | | | | | | | | |
| 504/5TS | D | FD-558 | 22.000 | 8.500 | | 0.250 | | | | 24.800 | | | | | | | |
| 586/7T | D | | | | FD-762 | | 30.000 | 30.000 | 10.000 | | | | | | | | |
| 586/7TS | D | FD-508 | 20.000 | 18.000 | | 7.500 | | | | | | | | | | | |
| 588/9T | D | | | | FD-558 | | 22.000 | 8.500 | 0.250 | 24.800 | | | | | | | |
| 588/9TS | D | FD-762 | 30.000 | 30.000 | | 10.000 | | | | | | | | | | | |

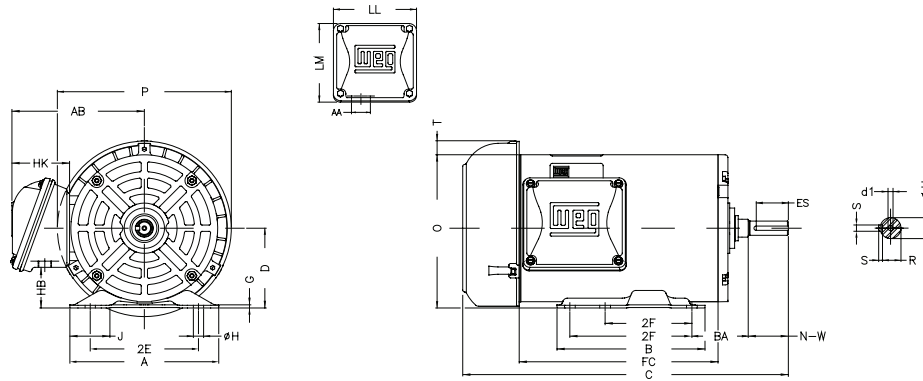


Rolled Steel - General Purpose - Three Phase - TEFC

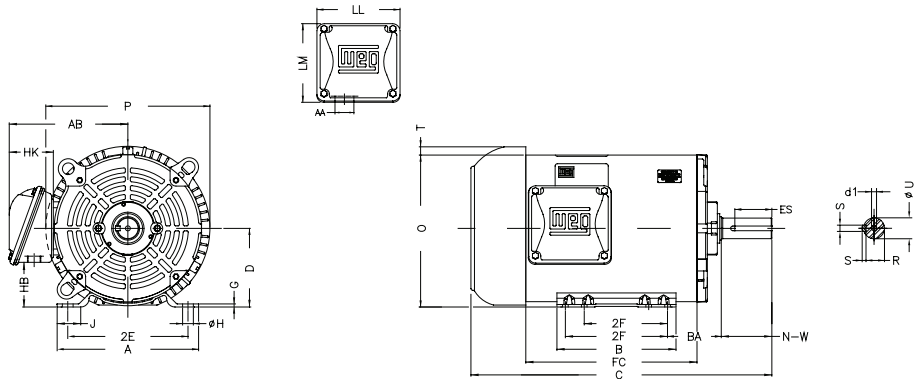
| Frame | P | AB | HK | HB | J | 2E | A | H1 | D | G | LL | LM |
|--------|--------|-------|-------|-------|-------|--------|--------|----|-------|-------|-------|-------|
| 143/5T | 7.638 | 5.882 | 2.638 | 1.783 | 1.732 | 5.500 | 6.535 | - | 3.500 | 0.120 | 4.543 | 4.106 |
| 182/4T | 9.435 | 6.696 | 2.629 | 2.784 | 1.299 | 7.500 | 8.661 | - | 4.500 | 0.167 | 4.563 | 4.090 |
| 213/5T | 10.965 | 7.973 | 3.022 | 2.982 | 1.575 | 8.500 | 9.449 | - | 5.250 | 0.167 | 5.551 | 5.250 |
| 254/6T | 13.180 | 9.448 | 3.645 | 3.631 | 1.693 | 10.000 | 11.417 | - | 6.250 | 0.187 | 6.299 | 6.017 |

| Frame | AA | O | T | Hole H | 2F | B | BA | N-W | ES | U | d1 | S | R |
|--------|--------|--------|-------|--------|--------------|--------|-------|-------|-------|-------|--------|-------|-------|
| 143/5T | 1.118" | 6.724 | 0.603 | 0.343 | 4.000/5.000 | 6.496 | 2.250 | 2.250 | 1.417 | 0.875 | A 3.15 | 0.187 | 0.771 |
| 182/4T | 1.118" | 8.557 | 0.661 | 0.406 | 4.500/5.500 | 6.299 | 2.750 | 2.750 | 1.969 | 1.125 | A 3.15 | 0.250 | 0.984 |
| 213/5T | 1.377" | 10.144 | 0.761 | 0.406 | 5.500/7.000 | 7.953 | 3.500 | 3.380 | 2.480 | 1.375 | A 4 | 0.313 | 1.203 |
| 254/6T | 1.732" | 12.010 | 0.83 | 0.530 | 8.252/10.000 | 11.417 | 4.250 | 4.000 | 2.756 | 1.625 | A 4 | 0.375 | 1.416 |

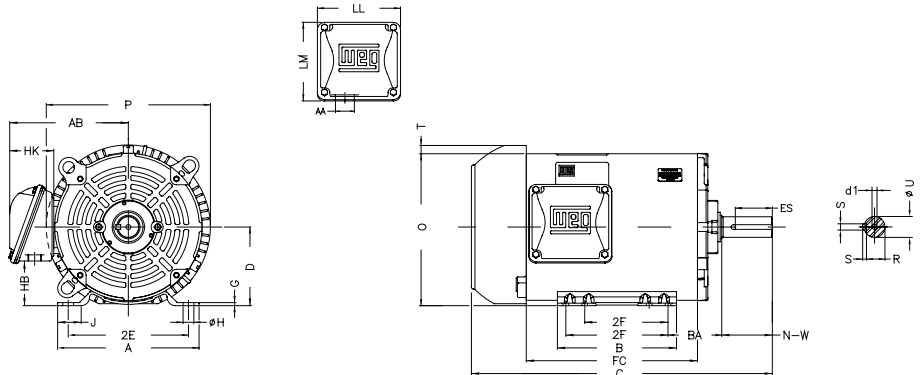
Frames 143



Frames 182



Frame 213 to 256

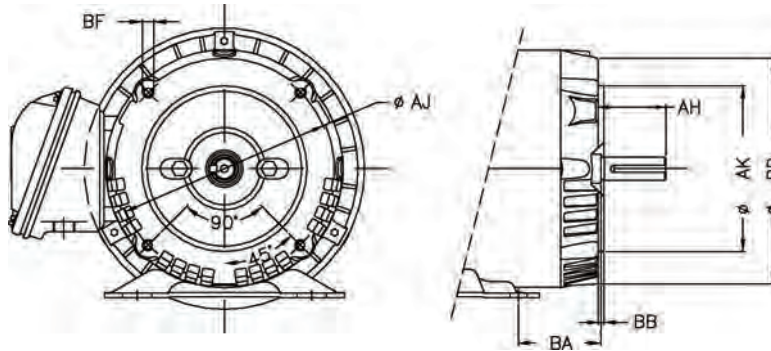


Rolled Steel - General Purpose - Three Phase - TEFC - *continued*

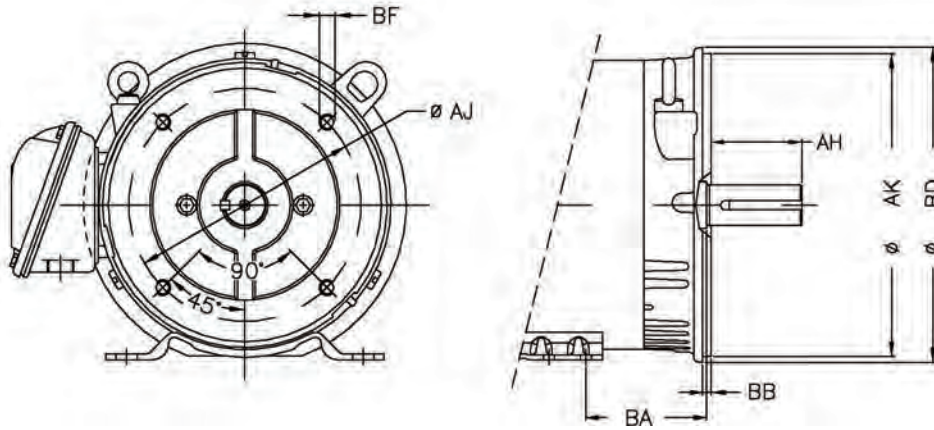
Dimensions for C-Face motors

| Frame | Size | AJ | AK | BD | BF | BB | AH | Angle | BF Number |
|--------|--------|-------|-------|--------|-------------|-------|-------|-------|-----------|
| 143/5T | FC-149 | 5.874 | 4.500 | 6.449 | UNC 3/8"x16 | 0.157 | 2.132 | 45° | 4 |
| 182/4T | FC-184 | 7.250 | 8.500 | 8.846 | UNC 1/2"x13 | 0.250 | 2.620 | 45° | 4 |
| 213/5T | FC-184 | 7.250 | 8.500 | 9.401 | UNC 1/2"x13 | 0.250 | 3.129 | 45° | 4 |
| 254/6T | FC-184 | 7.250 | 8.500 | 11.084 | UNC 1/2"x13 | 0.250 | 3.750 | 45° | 4 |

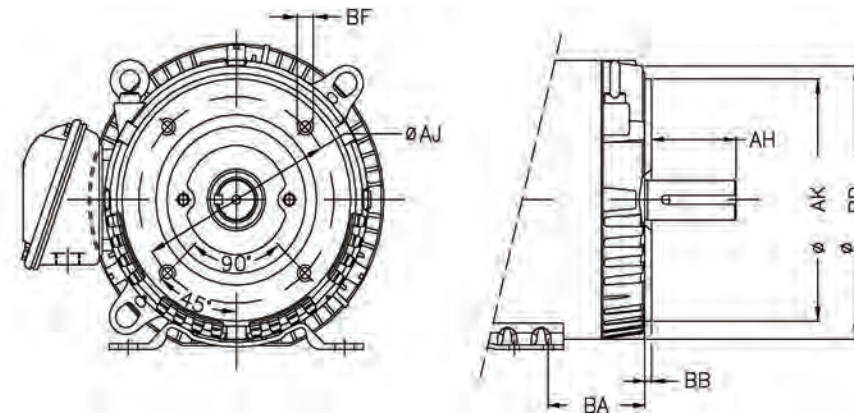
Frames 143



Frames 182



Frame 213 to 254

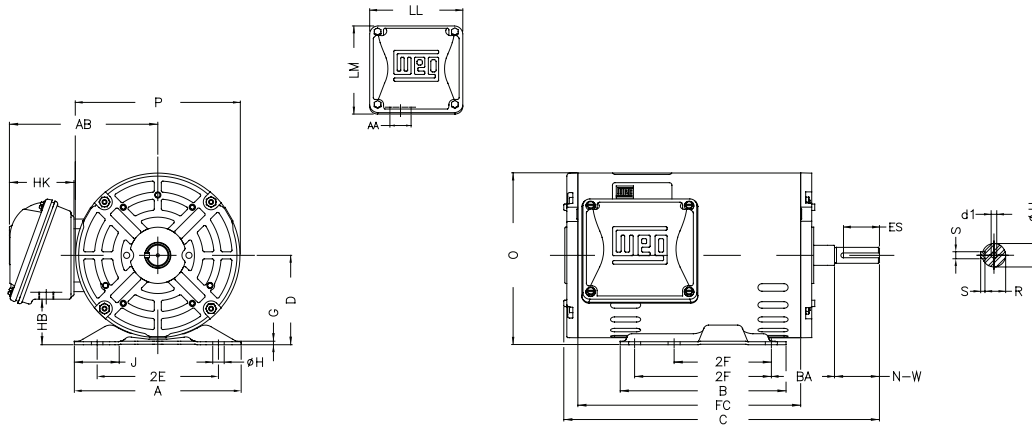


Rolled Steel - General Purpose - Three Phase - ODP

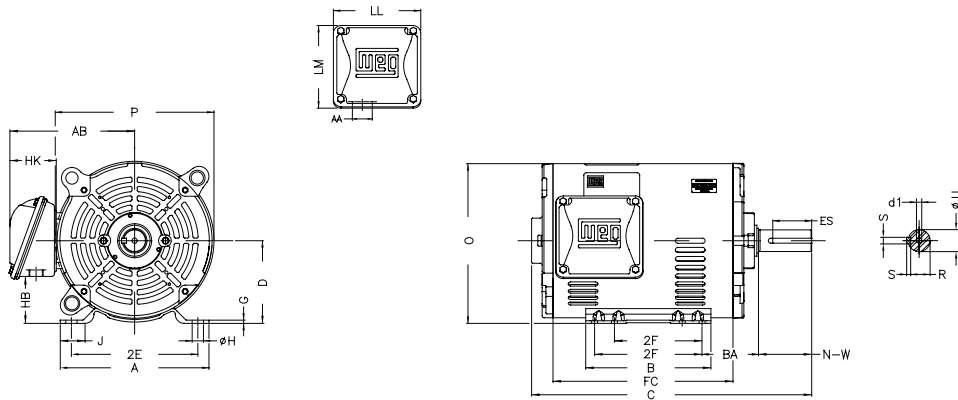
| Frame | A | AA | AB | P | 2E | J | HB | HK | H1 | G | D | HD1 |
|--------|-------|--------|-------|-------|-------|-------|-------|-------|----|-------|-------|--------|
| 143/5T | 6.535 | 1.118" | 5.882 | 6.467 | 5.500 | 1.732 | 1.783 | 2.638 | - | 0.120 | 3.500 | 8.622 |
| 182/4T | 8.661 | 1.118" | 6.696 | 8.114 | 7.500 | 1.299 | 2.784 | 2.629 | - | 0.167 | 4.500 | 11.441 |
| 213/5T | 9.449 | 1.377" | 7.973 | 9.846 | 8.500 | 1.575 | 2.982 | 3.022 | - | 0.167 | 5.250 | 13.764 |

| Frame | HD2 | LL | LM | O | 2F | H | B | BA | N-W | ES | U | d1 | R | S |
|--------|-------|-------|-------|--------|-------------|-------|-------|-------|-------|-------|-------|--------|-------|-------|
| 143/5T | 8.150 | 4.543 | 4.106 | 6.724 | 4.000/5.000 | 0.343 | 6.496 | 2.250 | 2.250 | 1.417 | 0.875 | A 3.15 | 0.771 | 0.187 |
| 182/4T | - | 4.563 | 4.090 | 8.557 | 4.500/5.500 | 0.406 | 6.299 | 2.750 | 2.750 | 1.969 | 1.125 | A 3.15 | 0.984 | 0.250 |
| 213/5T | - | 5.551 | 5.250 | 10.144 | 5.500/7.000 | 0.406 | 7.953 | 3.500 | 3.380 | 2.480 | 1.375 | A 4 | 1.203 | 0.313 |

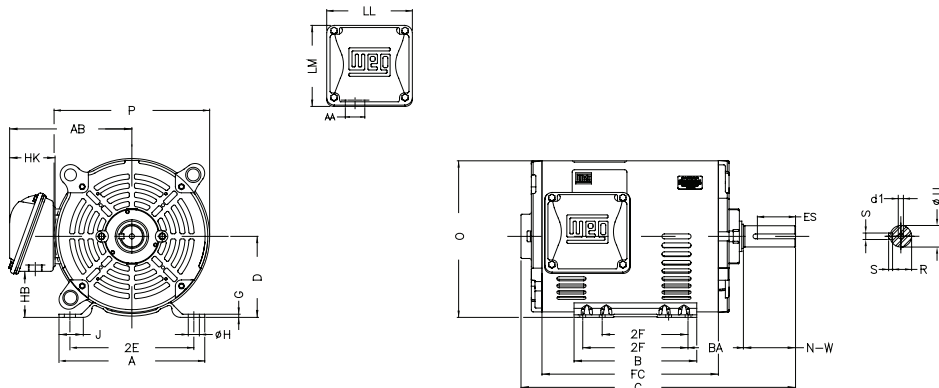
Frames 143



Frames 182



Frame 213 to 256



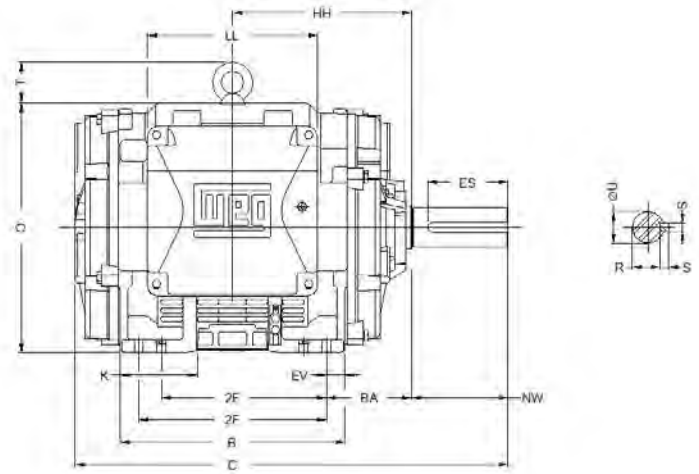
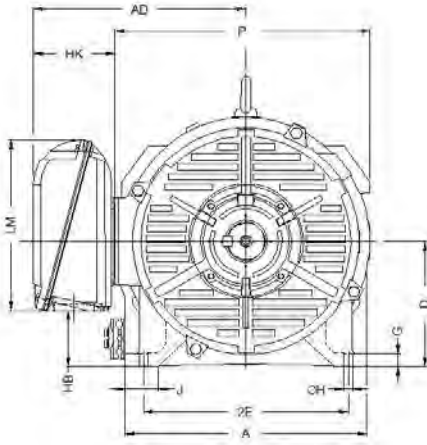
ODP – Cast Iron - Three Phase - General Purpose

| NEMA FRAMES | MOUNTING | | | | A | B | C | C WITH DRIP COVER | CH | D | G | J | | | |
|----------------|----------|--------|--------|-------|--------|--------|--------|----------------------|--------|--------|-------|--------|-------|-------|--|
| | 2E | 2F | H | BA | | | | | | | | | | | |
| 254T | 10.000 | 8.250 | 0.530 | 4.250 | 11.496 | 9.507 | 20.537 | 22.368 | 1.831 | 6.250 | 0.630 | 1.526 | | | |
| 254/6T | | 8.250 | | | | 11.200 | 22.285 | 24.116 | | | | 1.485 | | | |
| | | 10.000 | | | | | | | | | | | | | |
| 284T | 11.000 | 9.500 | | 0.660 | 4.750 | 13.780 | 11.032 | 23.158 | 25.028 | 1.870 | 7.000 | 0.787 | 2.496 | | |
| 284TS | | | | | | | 21.783 | 23.653 | | | | | | | |
| 284/6T | | 9.500 | | | | | 12.529 | 24.658 | 26.529 | | | | | | |
| | | 11.000 | | | | | | 23.283 | 25.154 | | | | | | |
| 284/6TS | | 9.500 | | | | | | | | | | | | | |
| | | 11.000 | | | | | | | | | | | | | |
| 324T | 12.500 | 10.500 | | | 0.810 | 5.250 | 15.157 | 12.176 | 25.807 | 27.677 | 1.870 | 8.000 | 0.974 | 2.802 | |
| 324TS | | | | | | | | 24.307 | 27.177 | | | | | | |
| 324/6T | | 10.500 | | | | | | 13.554 | 27.307 | 29.177 | | | | | |
| | | 12.000 | 25.807 | | | | | | 27.677 | | | | | | |
| 324/6TS | | 10.500 | | | | | | | | | | | | | |
| | | 12.000 | | | | | | | | | | | | | |
| 364/5T | 14.000 | 11.250 | 0.810 | 5.875 | | 17.165 | 15.323 | 29.725 | 32.186 | 2.461 | 9.000 | 1.181 | 3.524 | | |
| | | 12.250 | | | | | | 27.600 | 30.061 | | | | | | |
| 364/5TS | | 11.250 | | | | | | | | | | | | | |
| | | 12.250 | | | | | | | | | | | | | |
| 404/5T | 16.000 | 12.250 | | 0.810 | | 6.625 | 19.921 | 17.866 | 34.100 | 36.482 | 2.382 | 10.000 | 1.181 | 3.937 | |
| | | 13.750 | | | | | | | 31.100 | 33.482 | | | | | |
| 404/5TS | | 12.250 | | | | | | | | | | | | | |
| | | 13.750 | | | | | | | | | | | | | |
| 444/5T | 18.000 | 14.500 | | | 0.810 | 7.500 | 21.260 | 19.737 | 38.108 | 41.199 | 3.091 | 11.000 | 1.181 | 2.944 | |
| | | 16.500 | | | | | | | 34.358 | 37.449 | | | | | |
| 444/5TS | | 14.500 | | | | | | | | | | | | | |
| | | 16.500 | | | | | | | | | | | | | |

| | K | O | P | P WITH PROTECTION SCREEN | P WITH DRIP COVER | T | KEYWAY | | | SHAFT EXTENSION | | AB | HB | HH | AA | d1 | BEARINGS | | | | | | | | | | |
|---------|-------|--------|--------|--------------------------------|-------------------------|-------|--------|--------|--------|-----------------|-------|--------|--------|--------|---------|-----------|-----------|-----------|-----------|-----------|--------|--------|---------|-----------|-------|-----------|-----------|
| | | | | | | | S | R | ES | N-W | U | | | | | | D.E. | O.D.E. | | | | | | | | | |
| | | | | | | | | | | | | | | | | | | | | | | | | | | | |
| 254T | 3.012 | 12.337 | 12.598 | 12.824 | 14.913 | 2.023 | 0.375 | 1.416 | 2.756 | 4.000 | 1.625 | 10.462 | 2.360 | 8.376 | A4 | 6309-Z-C3 | 6209-Z-C3 | | | | | | | | | | |
| 254/6T | 3.563 | | | | | | | | | | | | | | | | | 9.250 | | | | | | | | | |
| 284T | 3.434 | 13.782 | 14.134 | 14.360 | 16.213 | 1.939 | 0.500 | 1.591 | 3.150 | 4.625 | 1.875 | 11.933 | 2.670 | 9.500 | | | | NPT1.1/2" | 6311-Z-C3 | 6211-Z-C3 | | | | | | | |
| 284TS | | | | | | | | | | | | | | | | | | | | | 0.374 | 1.416 | 2.480 | 3.250 | 1.625 | | |
| 284/6T | 3.847 | | | | | | 0.500 | 1.591 | 3.150 | 4.625 | 1.875 | 10.250 | 11.933 | 2.670 | | | | | | | 9.500 | | | | | | |
| 284/6TS | | | | | | | | | | | | | | | | | | | | | | 0.374 | 1.416 | 2.480 | 3.250 | 1.625 | |
| 324T | 3.867 | | | | | | 15.492 | 15.669 | 15.895 | 17.669 | 2.252 | 1.845 | 3.937 | 5.250 | | | | | | | 2.125 | 13.394 | 3.658 | 10.500 | NPT2" | 6312-Z-C3 | 6212-Z-C3 |
| 324TS | | | | | | | | | | | | 1.591 | 2.756 | 3.750 | | | | | | | 1.875 | | | | | | |
| 324/6T | 4.359 | 15.492 | 0.500 | 1.845 | 3.937 | 5.250 | 2.125 | | | | | 13.394 | 3.658 | 11.250 | | | | | | | | | | | | | |
| 324/6TS | | | | | | | | | | | | | | | | | | 1.591 | 2.756 | 3.750 | 1.875 | | | | | | |
| 364/5T | 4.845 | 18.409 | 18.406 | 18.632 | 19.804 | 2.795 | 0.625 | | | | | 2.020 | 4.331 | 5.875 | | | | 2.375 | 15.583 | 4.256 | 12.000 | NPT3" | 6314-C3 | 6212-Z-C3 | | | |
| 364/5TS | | | | | | | 0.500 | | | | | 1.591 | 1.969 | 3.750 | | | | 1.875 | | | | | | | | | |
| 404/5T | 5.654 | 19.409 | 18.504 | 18.604 | 19.803 | 2.795 | 0.750 | 2.449 | 5.512 | 7.250 | 2.875 | 15.583 | 5.256 | 13.500 | UNC3/4" | 6316-C3 | 6314-C3 | | | | | | | | | | |
| 404/5TS | | | | | | | 0.500 | 1.845 | 2.756 | 4.250 | 2.125 | | | | | | | | | | | | | | | | |
| 444/5T | 6.819 | 21.945 | 22.467 | 22.693 | 24.402 | 3.543 | 0.875 | 2.878 | 7.087 | 8.500 | 3.375 | 18.711 | 4.878 | 15.750 | | | | 2xNPT3" | 6319-C3 | 6314-Z-C3 | | | | | | | |
| 444/5TS | | | | | | | 0.625 | 2.021 | 4.331 | 4.750 | 2.375 | | | | | | | | | | | | | | | | |

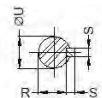
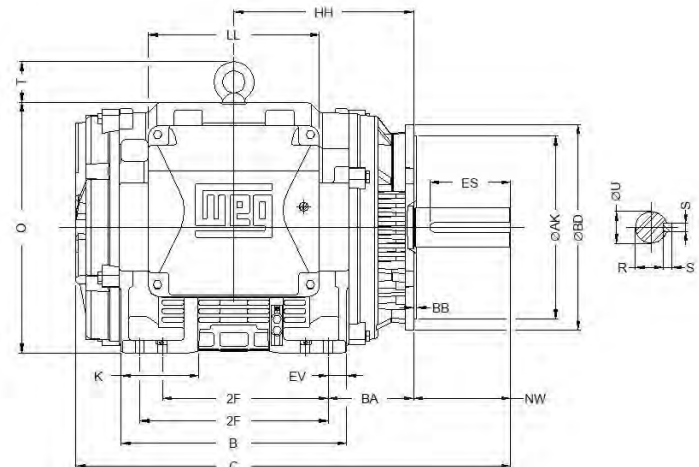
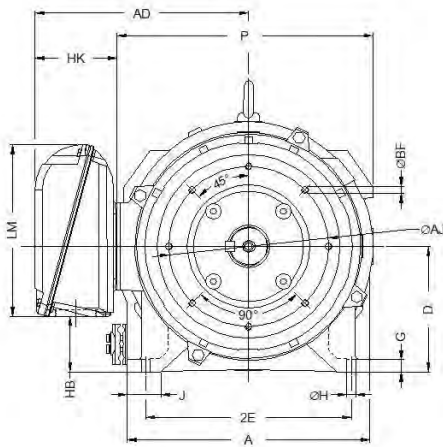
ODP – Cast Iron - Three Phase - General Purpose- continued

Frame 254T to 444/5TS



“C” FLANGE DIMENSIONS

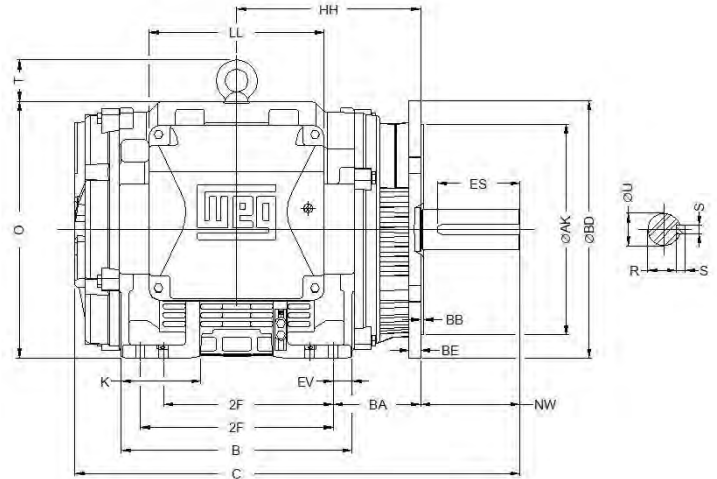
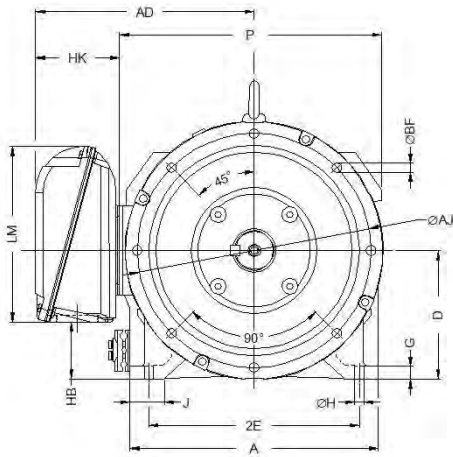
| NEMA FRAMES | BA | AJ | AK | BD | BF | | BB | BC | AH | C | HH | | | | |
|-------------|-------|--------|--------|--------|--------|------------|-------|-------|--------|------------|--------|-------|-------|--------|--------|
| | | | | | NUMBER | TAP SIZE | | | | | | | | | |
| 254TC | 4.750 | 7.252 | 8.500 | 9.019 | 4 | UNC1/2"-13 | 0.250 | 0.250 | 3.750 | 21.037 | 8.876 | | | | |
| 254/6TC | | | | | | | | | 22.785 | 8.876 | | | | | |
| 284TC | 4.750 | 9.000 | 10.500 | 11.295 | | | | | 4.375 | 23.158 | 9.500 | | | | |
| 284TSC | | | | | | | | | 3.000 | 21.783 | 10.250 | | | | |
| 284/6TC | 5.250 | 11.000 | 12.500 | 14.023 | | | | | 8 | UNC5/8"-11 | 0.250 | 0.250 | 4.375 | 24.658 | 10.500 |
| 284/6TSC | | | | | | | | | | | | | 3.000 | 23.283 | 11.250 |
| 324TC | 5.250 | 11.000 | 12.500 | 14.023 | | | | | | | | | 5.000 | 25.807 | 10.500 |
| 324TSC | | | | | | | | | | | | | 3.500 | 24.307 | 11.250 |
| 324/6TC | 5.875 | 14.000 | 16.000 | 18.024 | 14.095 | 8 | 0.250 | 0.250 | | | | | 5.000 | 27.307 | 11.250 |
| 324/6TSC | | | | | | | | | | | | | 3.500 | 25.807 | 12.000 |
| 364/5TC | 5.875 | 14.000 | 16.000 | 18.024 | 14.095 | 8 | 0.250 | 0.250 | | | | | 5.625 | 29.725 | 12.000 |
| 364/5TSC | | | | | | | | | | | | | 3.500 | 27.600 | 13.500 |
| 404/5TC | 6.625 | 14.000 | 16.000 | 18.024 | 14.095 | 8 | 0.250 | 0.250 | 7.000 | 34.100 | 13.500 | | | | |
| 404/5TSC | | | | | | | | | 4.000 | 31.100 | 15.750 | | | | |
| 444/5TC | 7.500 | 14.000 | 16.000 | 18.024 | 14.095 | 8 | 0.250 | 0.250 | 8.250 | 38.325 | 15.750 | | | | |
| 444/5TSC | | | | | | | | | 4.500 | 34.358 | | | | | |



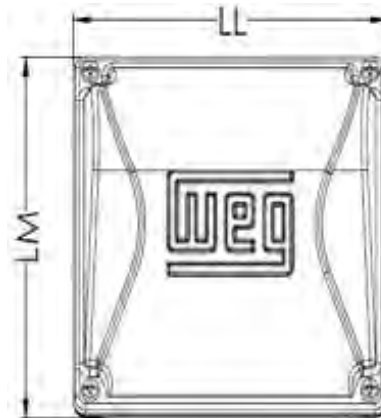
ODP – Cast Iron - Three Phase - General Purpose

“D” FLANGE DIMENSIONS

| NEMA FRAMES | BA | AJ | AK | BD | BF | | BB | C | HH | | | | | | | | |
|----------------|-------|--------|--------|--------|--------|----------|--------|--------|--------|--------|--------|--------|---|-------|-------|--------|--------|
| | | | | | NUMBER | TAP SIZE | | | | | | | | | | | |
| 254TD | 4.750 | 12.500 | 11.000 | 13.934 | 4 | 0.810 | 0.250 | 21.037 | 8.876 | | | | | | | | |
| 254/6TD | | | | | | | | 22.785 | 9.750 | | | | | | | | |
| 284TD | 4.750 | | | 23.158 | | | | 9.500 | | | | | | | | | |
| 284TSD | | | | | | | | | 21.783 | 10.250 | | | | | | | |
| 284/6TD | | | | 24.658 | | | | 27.307 | 11.250 | | | | | | | | |
| 284/6TSD | | | | 23.283 | | | | | | | | | | | | | |
| 324TD | 5.250 | 16.000 | 14.000 | 17.717 | | | | 8 | 0.810 | 0.250 | 25.807 | 10.500 | | | | | |
| 324TSD | | | | | | | | | | | 24.307 | | | | | | |
| 324/6TD | | | | 27.307 | | | | | | | 11.250 | | | | | | |
| 324/6TSD | | | | | | | | | | | | 25.807 | | | | | |
| 364/5TD | 5.875 | | | 20.000 | | | | | | | 18.000 | 17.633 | 8 | 0.810 | 0.250 | 29.725 | 12.000 |
| 364/5TSD | | | | | | | | | | | | | | | | 27.600 | |
| 404/5TD | 6.625 | 21.571 | 13.500 | | | | | | | | | | | | | | |
| 404/5TSD | | | | | 34.100 | | | | | | | | | | | | |
| 444/5TD | 7.500 | | | | 31.100 | 15.750 | | | | | | | | | | | |
| 444/5TSD | | | | | | | 38.325 | | | | | | | | | | |
| | | | | | | | | | | | 34.358 | | | | | | |



| FRAME | TERMINAL BOX | |
|-------|--------------|--------|
| | LL | LM |
| 254/6 | 7.813 | 7.494 |
| 284/6 | 8.571 | 8.993 |
| 324/6 | 8.993 | 9.921 |
| 364/5 | 10.591 | 11.262 |
| 404/5 | | |
| 444/5 | 14.940 | 15.063 |



Explosion Proof - Three Phase

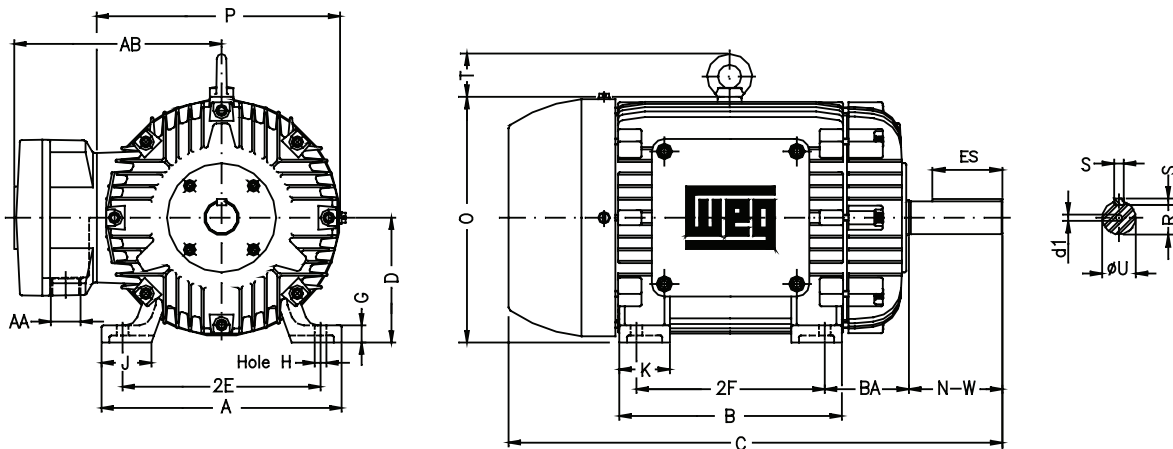
| Frame | 2E | 2F | A | AA | AB | B | BA | C | D | G | Hole H | J | | |
|---------|--------|---------------|--------|------------|--------|--------|--------|--------|--------|--------|--------|--------|--------|-------|
| 143T | 5.500 | 4.000 | 6.457 | NPT 3/4" | 6.811 | 5.157 | 2.250 | 12.760 | 3.500 | 0.429 | 0.344 | 1.496 | | |
| 145T | | 5.000 | | | | 6.142 | | 13.752 | | | | | | |
| 182T | 7.500 | 4.500 | 8.661 | | NPT 1" | 8.240 | 5.945 | 2.750 | 14.862 | 4.500 | 0.787 | 0.406 | 1.890 | |
| 184T | | 5.500 | | | | | 6.969 | | 15.862 | | | | | |
| 213T | 8.500 | 7.000 | 9.764 | NPT 1" | 9.252 | 7.402 | 3.500 | 17.952 | 5.250 | 0.827 | 2.008 | | | |
| 215T | | 5.000 | | | | 8.898 | | 19.450 | | | | | | |
| 254T | 10.000 | 8.252 | 12.126 | NPT 1 1/2" | 11.063 | 10.000 | 4.250 | 23.175 | 6.250 | 0.817 | 0.531 | 2.520 | | |
| 256T | | 10.000 | | | | 11.732 | | 24.923 | | | | | | |
| 284T | 11.000 | 9.500 | 13.780 | | 11.850 | 11.575 | 4.750 | 26.407 | 7.000 | 1.024 | | 0.657 | 3.150 | |
| 284TS | | 11.000 | | | | | | 25.033 | | | | | | |
| 286T | | 11.000 | | 27.905 | | | | | | | | | | |
| 286TS | | 11.000 | | 26.531 | | | | | | | | | | |
| 324T | 12.500 | 10.500 | 15.157 | NPT 2" | 12.961 | 13.071 | 5.250 | 29.602 | 8.000 | 1.307 | 0.657 | 3.228 | | |
| 324TS | | 12.000 | | | | | | 28.102 | | | | | | |
| 326T | | 12.000 | | | 31.106 | | | | | | | | | |
| 326TS | | 12.000 | | | 29.606 | | | | | | | | | |
| 364/5T | 14.000 | 11.250/12.250 | 17.165 | NPT 3" | 16.654 | 15.394 | 5.875 | 33.701 | 9.000 | 1.480 | 3.150 | | | |
| 364/5TS | | | | | | | | 31.575 | | | | | | |
| 404/5T | 16.000 | 12.250/13.752 | 19.921 | | 16.654 | 17.520 | 6.625 | 6.625 | 38.074 | 10.000 | 1.812 | 0.807 | 3.937 | |
| 404/5TS | | | | | | | | | 35.074 | | | | | |
| 444/5T | 18.000 | 14.500/16.500 | 21.929 | 2xNPT 3" | 21.732 | 20.079 | 7.500 | 43.797 | 11.000 | 1.630 | 0.807 | | | 3.937 |
| 444/5TS | | | | | | | | 40.047 | | | | | | |
| 447T | | 20.000 | | | 20.000 | 20.984 | | 23.640 | | | | 23.640 | 47.339 | |
| 447TS | | | | | | | | | | | | | 43.589 | |
| 449T | | 25.000 | | | 25.000 | 32.126 | | 32.126 | | | | 32.126 | 54.996 | |
| 449TS | | | | | | | | | | | | | 51.246 | |
| 504/5T | 20.000 | 16.000/18.000 | 24.724 | 21.850 | 21.969 | 8.500 | 49.445 | 12.500 | 2.146 | 1.250 | 4.724 | | | |
| 504/5TS | | | | | | | 46.875 | | | | | | | |
| 586/7T | 23.000 | 22.000/25.000 | 29.528 | 25.787 | 29.921 | 10.00 | 61.389 | 14.500 | 2.492 | 1.181 | 5.236 | | | |
| 586/7TS | | | | | | | 54.514 | | | | | | | |

TEFC – Explosion Proof *continued*

Frames 143T to 586/7TS

| Frame | K | O | P | T | Shaft end | | | | | | Bearings | | | | | | | | | | | | | | | | | | | | | | | | | | | | | | | | | | | | |
|---------|-------|--------|--------|-------|--------------|--------------|--------------|-------------|-------|--------|----------|----------|---------|---------|---------|-------|-------|-------|---------|---------|-----|-------|-------|-------|-------|-------|---------|---------|-----|-------|-------|-------|-------|-------|------------|------------|-----|-------|--------------|--------------|-------|-------|------------|------------|------------|---------|---------|
| | | | | | d1 | ES | N-W | R | S | U | D.E. | N.D.E. | | | | | | | | | | | | | | | | | | | | | | | | | | | | | | | | | | | |
| 143T | 1.654 | 7.000 | 7.000 | * | A 4 | 1.575 | 2.250 | 0.765 | 0.187 | 0.875 | 6205 ZZ | 6204 ZZ | | | | | | | | | | | | | | | | | | | | | | | | | | | | | | | | | | | |
| 145T | | | | | | | | | | | | | | | | | | | | | | | | | | | | | | | | | | | | | | | | | | | | | | | |
| 182T | 1.969 | 9.421 | 8.909 | 1.772 | | | | | | | | | A 4 | 1.969 | 2.750 | 0.984 | 0.250 | 1.125 | 6307 ZZ | 6206 ZZ | | | | | | | | | | | | | | | | | | | | | | | | | | | |
| 184T | | | | | | | | | | | | | | | | | | | | | | | | | | | | | | | | | | | | | | | | | | | | | | | |
| 213T | 2.165 | 11.156 | 10.709 | 1.772 | | | | | | | | | | | | | | | | | A 4 | 2.480 | 3.375 | 1.203 | 0.313 | 1.375 | 6308 ZZ | 6207 ZZ | | | | | | | | | | | | | | | | | | | |
| 215T | | | | | | | | | | | | | | | | | | | | | | | | | | | | | | | | | | | | | | | | | | | | | | | |
| 254T | 2.559 | 12.352 | 12.224 | 2.087 | | | | | | | | | | | | | | | | | | | | | | | | | A 4 | 2.756 | 4.000 | 1.406 | 0.375 | 1.625 | 6309 ZZ-C3 | 6209 ZZ-C3 | | | | | | | | | | | |
| 256T | | | | | | | | | | | | | | | | | | | | | | | | | | | | | | | | | | | | | | | | | | | | | | | |
| 284T | 2.953 | 14.362 | 14.094 | 2.441 | | | | | | | | | | | | | | | | | | | | | | | | | | | | | | | | | A 4 | 3.149 | 4.622 | 1.594 | 0.500 | 1.875 | 6311 ZZ-C3 | 6211 ZZ-C3 | | | |
| 284TS | | | | | | | | | | | | | | | | | | | | | | | | | | | | | | | | | | | | | | | | | | | | | | | |
| 286T | | | | | | | | | | | | | | | | | | | | | | | | | | | | | | | | | | | | | | | | | | | | | | | |
| 286TS | | | | | | | | | | | | | | | | | | | | | | | | | | | | | | | | | | | | | | | | | | | | | | | |
| 324T | 3.346 | 15.992 | 15.697 | 2.795 | | | | | | | | | | | | | | | | | | | | | | | | | | | | | | | | | | A 4 | 3.937 | 5.250 | 1.844 | 0.500 | 2.125 | 6312 ZZ-C3 | 6212 ZZ-C3 | | |
| 324TS | | | | | | | | | | | | | | | | | | | | | | | | | | | | | | | | | | | | | | | | | | | | | | | |
| 326T | | | | | | | | | | | | | | | | | | | | | | | | | | | | | | | | | | | | | | | | | | | | | | | |
| 326TS | | | | | | | | | | | | | | | | | | | | | | | | | | | | | | | | | | | | | | | | | | | | | | | |
| 364/5T | 4.134 | 18.898 | 18.583 | 2.795 | | | | | | | | | | | | | | | | | | | | | | | | | | | | | | | | | | | DUNC 3/4"-10 | 4.330 | 5.874 | 2.019 | 0.625 | 2.375 | 6314 C3 | 6314 C3 | |
| 364/5TS | | | | | | | | | | | | | | | | | | | | | | | | | | | | | | | | | | | | | | | | | | | | | | | |
| 404/5T | 5.433 | 19.843 | 18.583 | 2.795 | | | | | | | | | | | | | | | | | | | | | | | | | | | | | | | | | | | | DUNC 3/4"-10 | 1.968 | 3.748 | 1.591 | 0.500 | 1.875 | 6217 C3 | 6314 C3 |
| 404/5TS | | | | | | | | | | | | | | | | | | | | | | | | | | | | | | | | | | | | | | | | | | | | | | | |
| 444/5T | 5.591 | 23.622 | 24.016 | 3.543 | DUNC 3/4"-10 | 7.087 | 8.500 | 2.880 | 0.875 | 3.375 | 6219 C3 | 6316 C3 | | | | | | | | | | | | | | | | | | | | | | | | | | | | | | | | | | | |
| 444/5TS | | | | | | | | | | | | | | | | | | | | | | | | | | | | | | | | | | | | | | | | | | | | | | | |
| 447T | | | | | | | | | | | | | | | | | | | | | | | | | | | | | | | | | | | | | | | | | | | | | | | |
| 447TS | | | | | | | | | | | | | | | | | | | | | | | | | | | | | | | | | | | | | | | | | | | | | | | |
| 449T | 7.104 | 23.622 | 24.016 | 3.543 | | DUNC 3/4"-10 | 3.000 | 4.750 | 2.021 | 0.625 | 2.375 | 6314 C3 | 6314 C3 | | | | | | | | | | | | | | | | | | | | | | | | | | | | | | | | | | |
| 449TS | | | | | | | | | | | | | | | | | | | | | | | | | | | | | | | | | | | | | | | | | | | | | | | |
| 504/5T | 5.984 | 25.197 | 24.212 | 2.795 | | | DUNC 3/4"-10 | 7.087 | 8.500 | 2.880 | 0.875 | 3.375 | 6322 C3 | 6319 C3 | | | | | | | | | | | | | | | | | | | | | | | | | | | | | | | | | |
| 504/5TS | | | | | | | | | | | | | | | | | | | | | | | | | | | | | | | | | | | | | | | | | | | | | | | |
| 586/7T | 7.874 | 30.428 | 30.709 | 4.291 | | | | DUNC 7/8"-9 | 8.661 | 11.625 | 3.312 | 1000.000 | 3.875 | 6322 C3 | 6319 C3 | | | | | | | | | | | | | | | | | | | | | | | | | | | | | | | | |
| 586/7TS | | | | | | | | | | | | | | | | | | | | | | | | | | | | | | | | | | | | | | | | | | | | | | | |

Frames 143T to 586/7TS

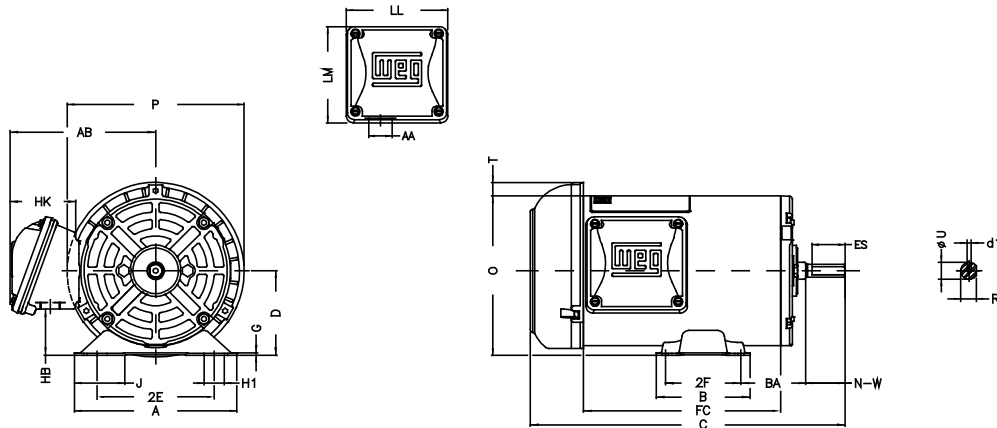


Fractional - Three Phase - TEFC - NEMA Premium®

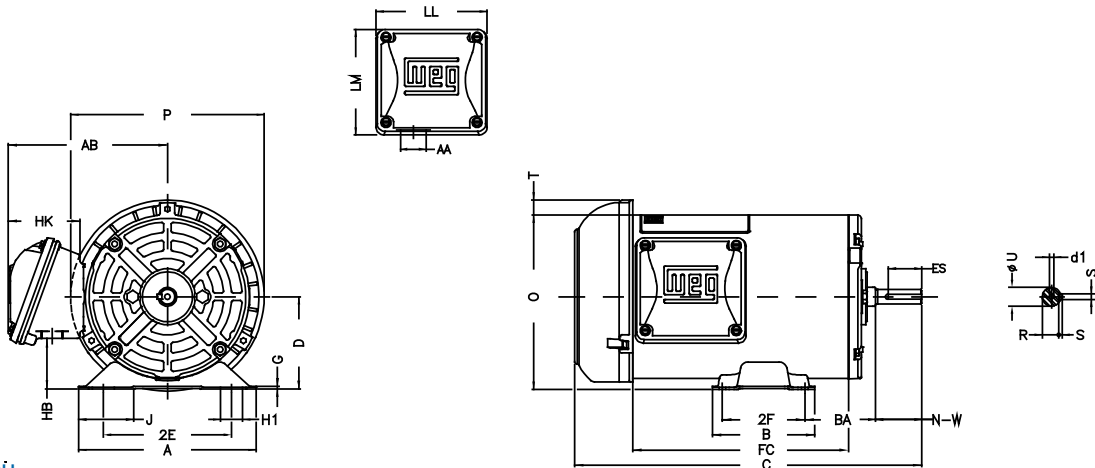
| Frame | 2E | J | A | P | AB | AH | 2F | B | BA | CH | U | N-W | Key Length | R | D |
|-------|-------|-------|-------|-------|-------|-------|-------------|-------|------|-------|-------|-------|------------|-------|-----|
| 48 | 4.236 | 1.835 | 6.142 | 6.693 | 5.52 | 1.689 | 2.748 | 3.543 | 2.5 | 1.417 | 0.5 | 1.5 | 1.26 | 0.451 | 3 |
| W56 | 4.874 | 1.62 | 6.535 | 6.693 | 5.52 | 2.063 | 3 | 4.016 | 2.75 | 1.417 | 0.625 | 1.874 | 1.417 | 0.517 | 3.5 |
| 56 | 4.874 | 1.732 | 6.535 | 7.638 | 5.882 | 2.062 | 3 | 4.016 | 2.75 | 1.377 | 0.625 | 1.874 | 1.417 | 0.517 | 3.5 |
| 56H | 4.874 | 1.732 | 6.535 | 7.638 | 5.882 | 2.062 | 3.000/5.000 | 6.496 | 2.75 | 1.377 | 0.625 | 1.874 | 1.417 | 0.517 | 3.5 |

| Frame | H1 | G | HB | O | HD | HK | Hole H | C | LL | LM | S | AA | T | DE | NDE |
|-------|------|-------|-------|-------|-------|-------|--------|---|-------|-------|-------|--------|-------|---------|---------|
| 48 | 1.22 | 0.075 | 1.559 | 5.83 | 6.354 | 2.65 | 0.343 | | 3.835 | 3.697 | | 0.881" | 0.524 | 6203 ZZ | 6202 ZZ |
| W56 | 1.22 | 0.12 | 2.055 | 6.33 | 6.854 | 2.65 | 0.343 | | 3.835 | 3.697 | 0.187 | 0.881" | 0.524 | 6203 ZZ | 6202 ZZ |
| 56 | 1.22 | 0.12 | 1.783 | 6.724 | 7.327 | 2.638 | 0.343 | | 4.543 | 4.106 | 0.187 | 0.881" | 0.603 | 6203 ZZ | 6202 ZZ |
| 56H | 1.22 | 0.12 | 1.783 | 6.724 | 7.327 | 2.638 | 0.343 | | 4.543 | 4.106 | 0.187 | 0.881" | 0.603 | 6204 ZZ | 6202 ZZ |

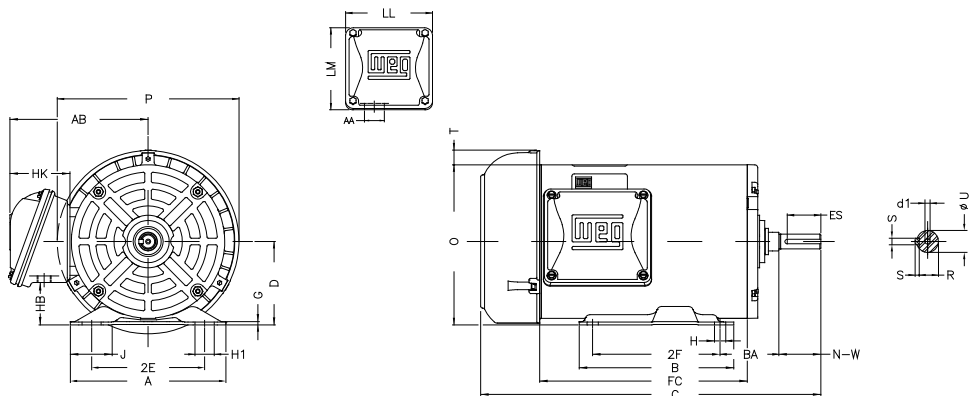
Frame 48



Frame W56



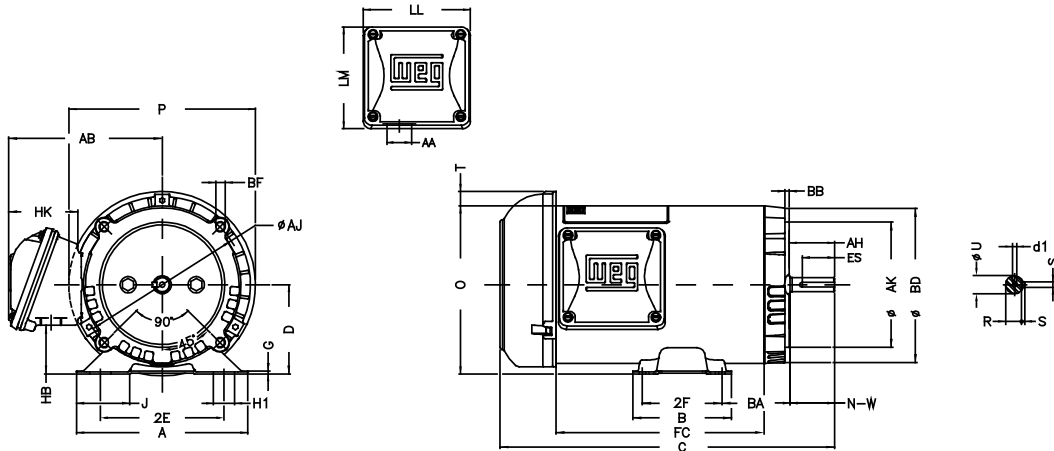
Frame 56 - 56H



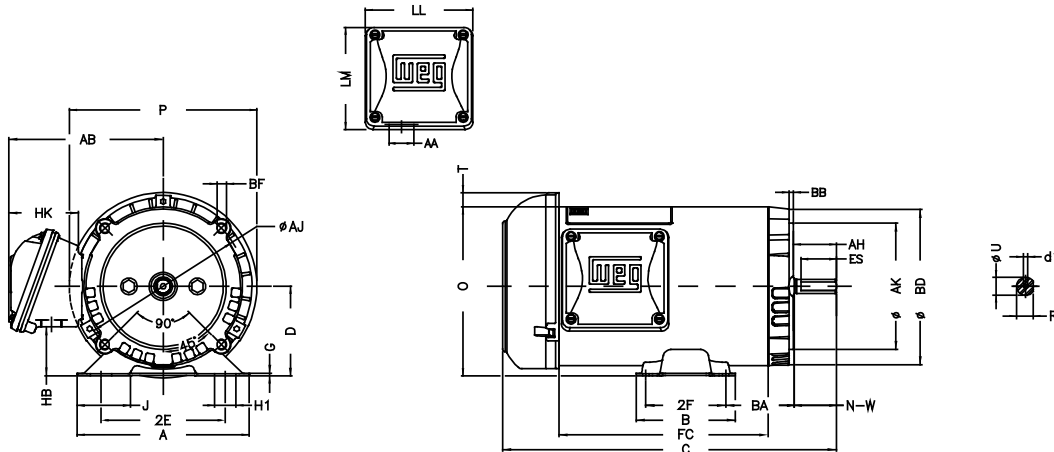
Fractional - Three Phase - TEFC - NEMA Premium® - C-Face

| Frame | Type | Flange | Size | AJ | AK | BD | S | T | AH | Angle | BF Number |
|-------|------|--------|--------|-------|-----|------|----------------|-------|-------|-------|-----------|
| W56 | C | C | FC-149 | 5.874 | 4.5 | 6.47 | UNC 3/8"x16-2B | 0.157 | 2.063 | 45° | 4 |
| 48 | C | C | FC-95 | 3.748 | 3 | 4.74 | UNC 1/4"x20-2B | 0.157 | 1.689 | 45° | 4 |
| 56 | C | C | FC-149 | 5.874 | 4.5 | 6.45 | UNC 3/8"x16-2B | 0.157 | 2.062 | 45° | 4 |
| 56H | C | C | FC-149 | 5.874 | 4.5 | 6.45 | UNC 3/8"x16-2B | 0.157 | 2.062 | 45° | 4 |

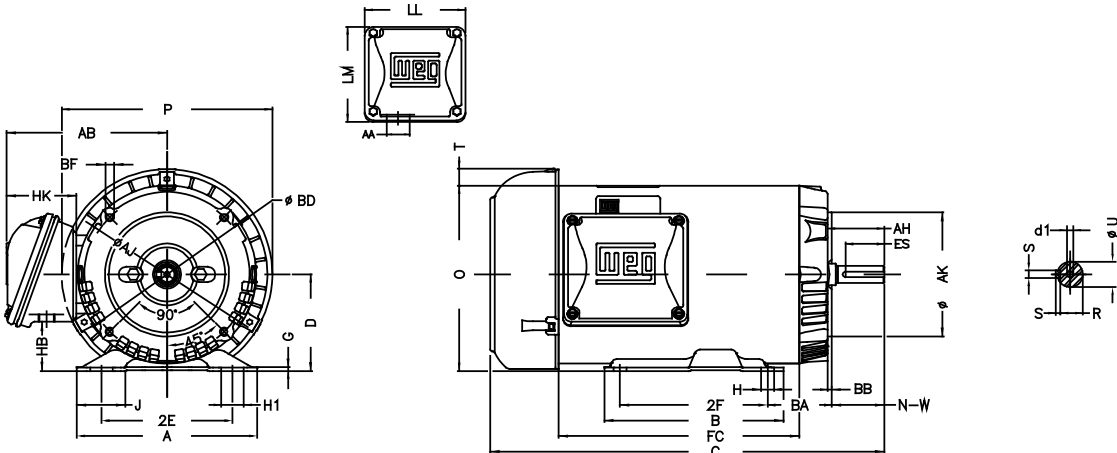
Frame W56



Frame 48



Frame 56/56H

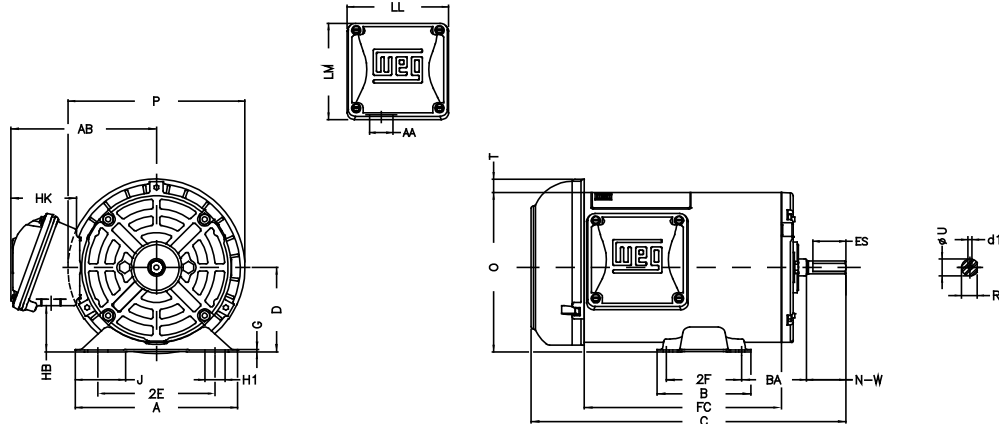


Fractional - Three Phase - TEFC - Standard Efficiency

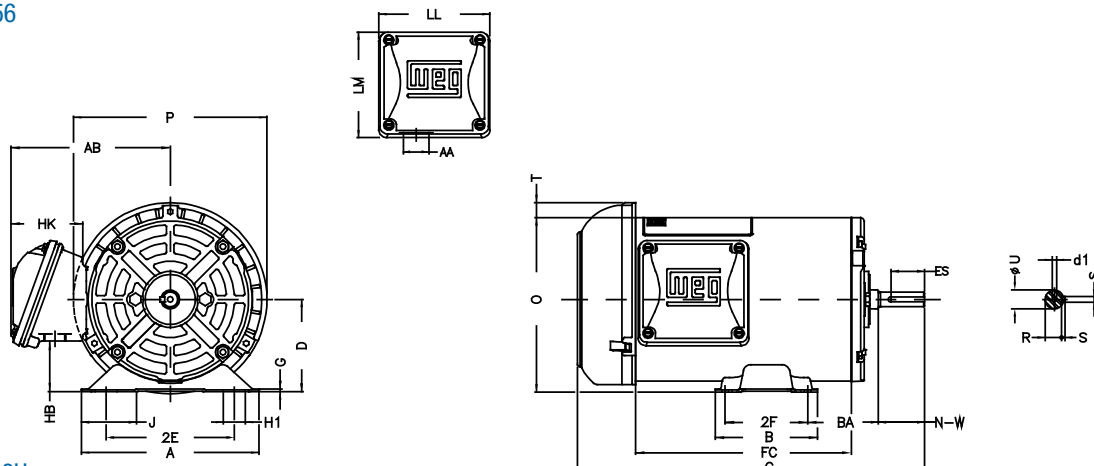
| Frame | 2E | J | A | P | AB | AH | 2F | B | BA | CH | U | d1 | N-W | Key Length | R | D |
|-------|-------|-------|-------|-------|-------|-------|-------------|-------|------|-------|-------|--------|-------|------------|-------|-----|
| 48 | 4.236 | 1.835 | 6.142 | 6.693 | 5.52 | 1.689 | 2.748 | 3.543 | 2.5 | 1.417 | 0.5 | A 3,15 | 1.5 | 1.26 | 0.451 | 3 |
| W56 | 4.874 | 1.62 | 6.535 | 6.693 | 5.52 | 2.063 | 3 | 4.016 | 2.75 | 1.417 | 0.625 | A 3,15 | 1.874 | 1.417 | 0.517 | 3.5 |
| 56 | 4.874 | 1.732 | 6.535 | 7.638 | 5.882 | 2.062 | 3 | 4.016 | 2.75 | 1.377 | 0.625 | A 3,15 | 1.874 | 1.417 | 0.517 | 3.5 |
| 56H | 4.874 | 1.732 | 6.535 | 7.638 | 5.882 | 2.062 | 3.000/5.000 | 6.496 | 2.75 | 1.377 | 0.625 | A 3,15 | 1.874 | 1.417 | 0.517 | 3.5 |

| Frame | H1 | G | HB | O | HD | HK | Hole H | C | LL | LM | AJ | S | AA | T | DE | NDE |
|-------|------|-------|-------|-------|-------|-------|--------|---|-------|-------|-------|-------|--------|-------|---------|---------|
| 48 | 1.22 | 0.075 | 1.559 | 5.83 | 6.354 | 2.65 | 0.343 | - | 3.835 | 3.697 | 5.874 | | 0.881" | 0.524 | 6203 ZZ | 6202 ZZ |
| W56 | 1.22 | 0.12 | 2.055 | 6.33 | 6.854 | 2.65 | 0.343 | - | 3.835 | 3.697 | 3.748 | 0.187 | 0.881" | 0.524 | 6203 ZZ | 6202 ZZ |
| 56 | 1.22 | 0.12 | 1.783 | 6.724 | 7.327 | 2.638 | 0.343 | - | 4.543 | 4.106 | 5.874 | 0.187 | 0.881" | 0.603 | 6203 ZZ | 6202 ZZ |
| 56H | 1.22 | 0.12 | 1.783 | 6.724 | 7.327 | 2.638 | 0.343 | - | 4.543 | 4.106 | 5.874 | 0.187 | 0.881" | 0.603 | 6204 ZZ | 6202 ZZ |

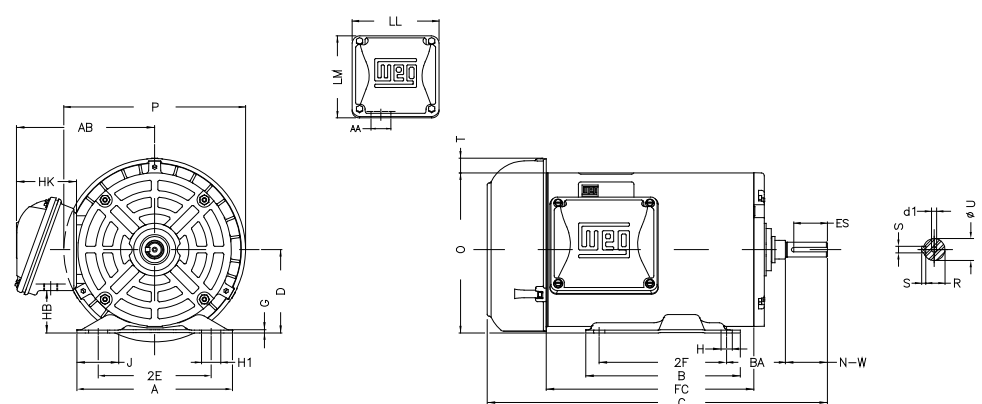
Frame 48



Frame W56



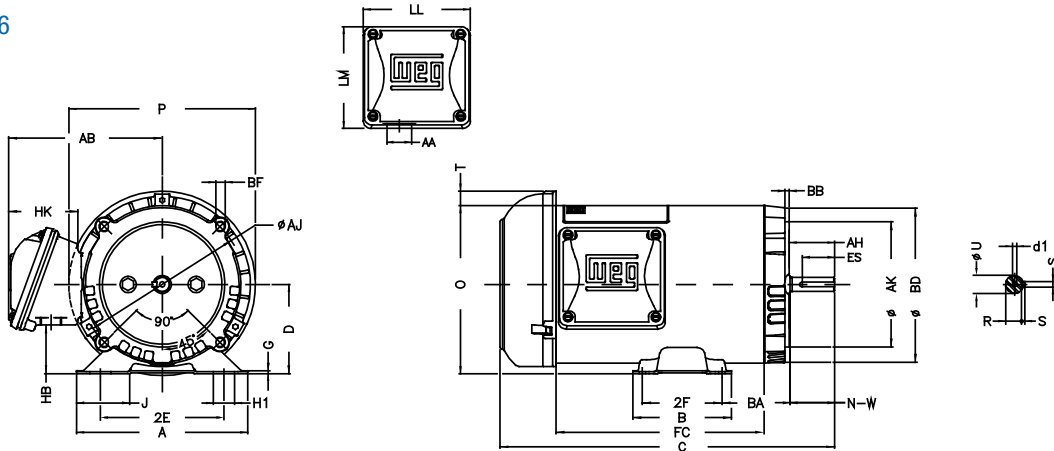
Frame 56 - 56H



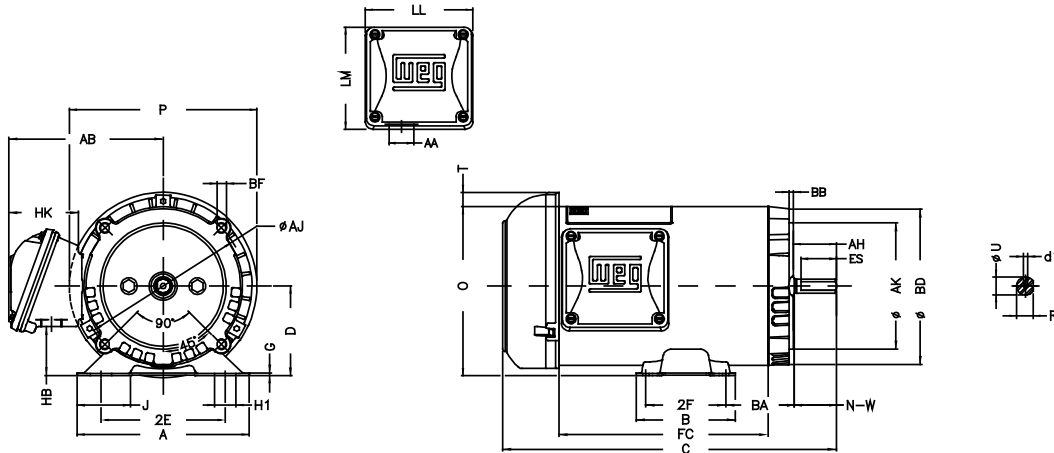
Fractional - Three Phase - TEFC - Standard Efficiency - C-Face

| Frame | Type | Flange | Size | BB | AJ | AK | BD | S | T | AH | Angle | BF Number |
|-------|------|--------|--------|-------|-------|-----|------|----------------|-------|-------|-------|-----------|
| W56 | C | C | FC-149 | 0.157 | 5.874 | 4.5 | 6.47 | UNC 3/8"x16-2B | 0.157 | 2.063 | 45° | 4 |
| 48 | C | C | FC-95 | 0.157 | 3.748 | 3 | 4.74 | UNC 1/4"x20-2B | 0.157 | 1.689 | 45° | 4 |
| 56 | C | C | FC-149 | 0.157 | 5.874 | 4.5 | 6.45 | UNC 3/8"x16-2B | 0.157 | 2.062 | 45° | 4 |
| 56H | C | C | FC-149 | 0.157 | 5.874 | 4.5 | 6.45 | UNC 3/8"x16-2B | 0.157 | 2.062 | 45° | 4 |

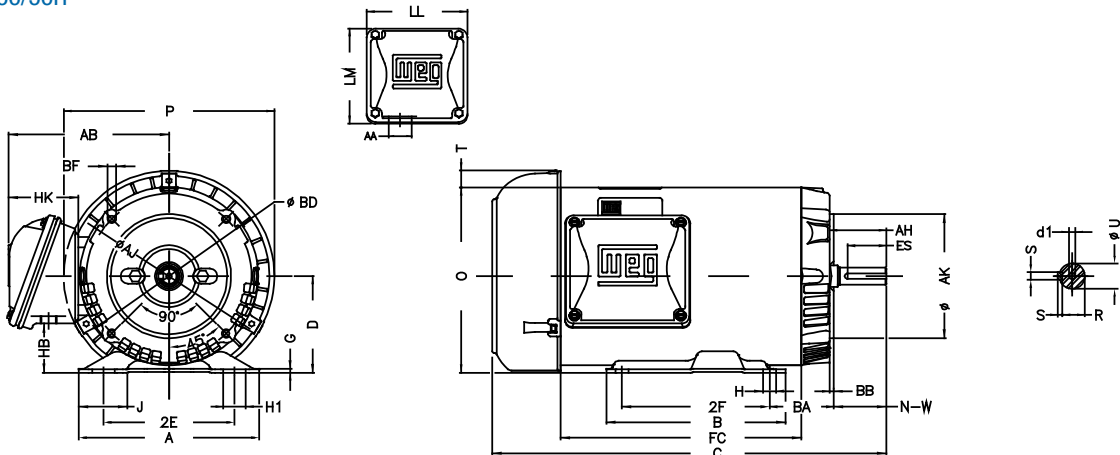
Frame W56



Frame 48



Frame 56/56H

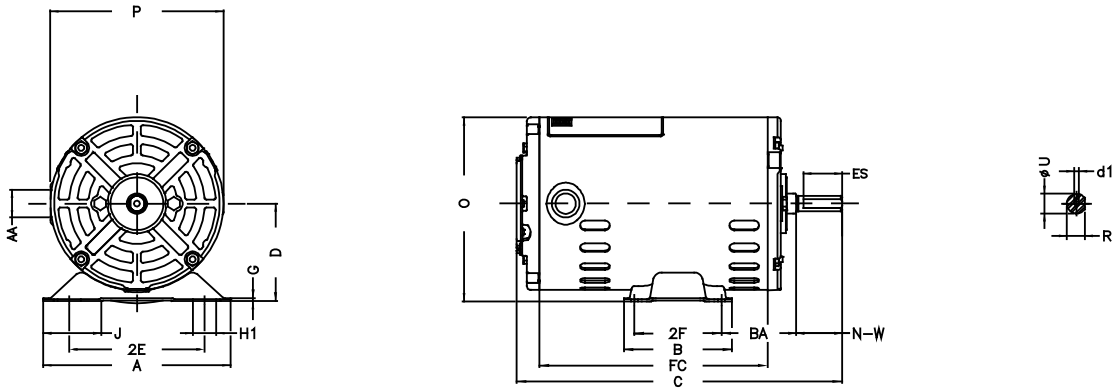


Fractional - Three Phase - ODP - Premium Efficiency

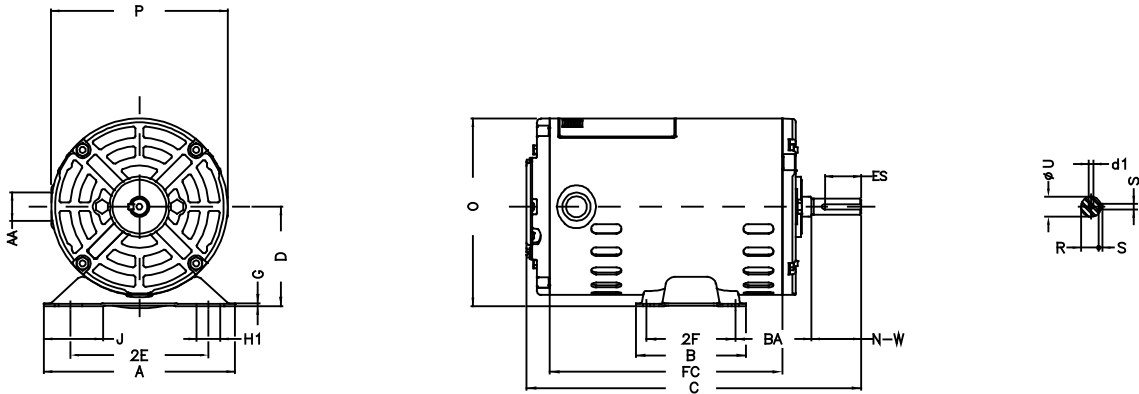
| Frame | 2E | J | A | P | AB | AH | 2F | B | BA | CH | U | N-W | Key Length | R | D |
|-------|-------|-------|-------|-------|-------|-------|-------------|-------|------|-------|-------|-------|------------|-------|-----|
| 48 | 4.236 | 1.835 | 6.142 | 5.709 | 5.52 | 1.689 | 2.748 | 3.543 | 2.5 | 1.22 | 0.5 | 1.5 | 1.26 | 0.451 | 3 |
| W56 | 4.874 | 1.62 | 6.535 | 5.709 | 5.52 | 2.063 | 3 | 4.016 | 2.75 | 1.22 | 0.625 | 1.874 | 1.417 | 0.517 | 3.5 |
| 56 | 4.874 | 1.732 | 6.535 | 6.456 | 3.323 | 2.062 | 3 | 4.016 | 2.75 | 1.377 | 0.625 | 1.874 | 1.417 | 0.517 | 3.5 |
| 56H | 4.874 | 1.732 | 6.535 | 6.456 | 5.882 | 2.062 | 3.000/5.000 | 6.496 | 2.75 | 1.377 | 0.625 | 1.874 | 1.417 | 0.517 | 3.5 |

| Frame | H1 | G | HB | O | HD | HK | Hole H | C | LL | LM | S | AA | T | DE | NDE |
|-------|------|-------|-------|-------|-------|-------|--------|---|-------|-------|-------|----------|-------|---------|---------|
| 48 | 1.22 | 0.075 | 1.559 | 5.83 | 6.354 | 2.65 | 0.343 | | 3.835 | 3.697 | | NPT 1/2" | 0.524 | 6203 ZZ | 6202 ZZ |
| W56 | 1.22 | 0.12 | 2.055 | 6.33 | 6.854 | 2.65 | 0.343 | | 3.835 | 3.697 | 0.187 | NPT 1/2" | 0.524 | 6203 ZZ | 6202 ZZ |
| 56 | 1.22 | 0.12 | 1.784 | 6.724 | 6.728 | 2.629 | 0.343 | | 4.563 | 4.09 | 0.187 | NPT 1/2" | 0.004 | 6203 ZZ | 6202 ZZ |
| 56H | 1.22 | 0.12 | 1.783 | 6.724 | 6.728 | 2.638 | 0.343 | | 4.543 | 4.106 | 0.187 | NPT 1/2" | 0.004 | 6204 ZZ | 6202 ZZ |

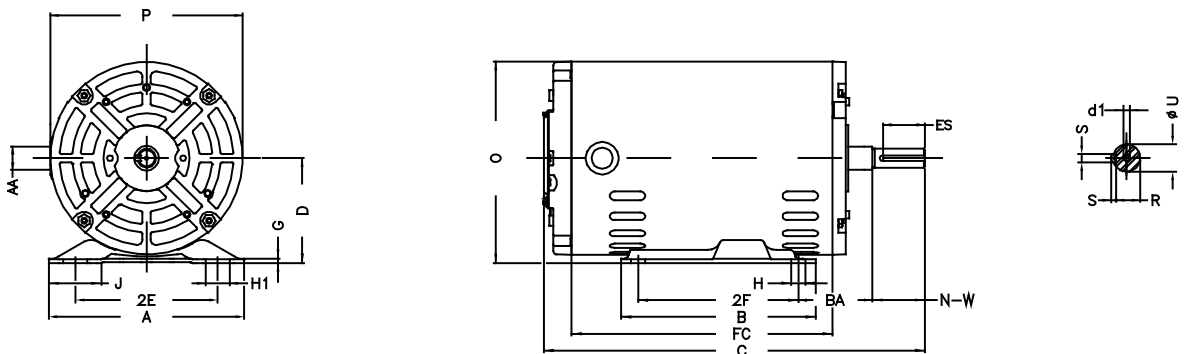
Frame 48



Frame W56



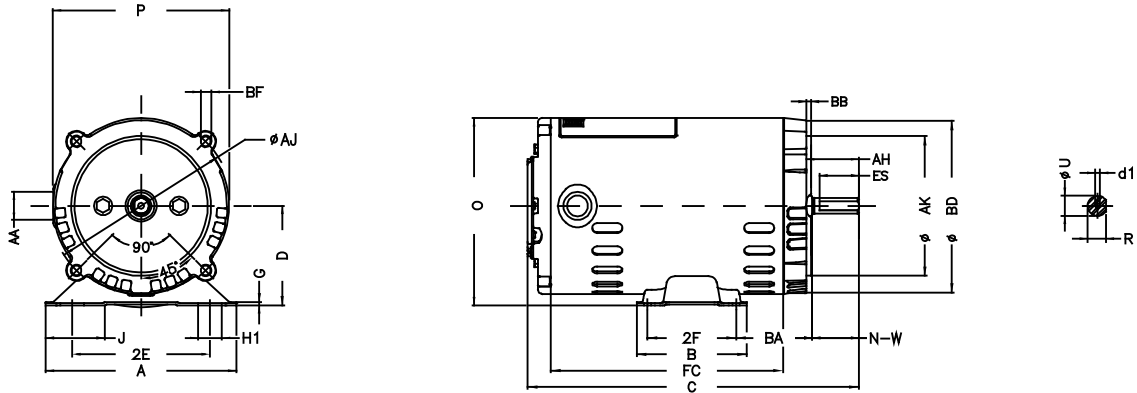
Frame 56 - 56H



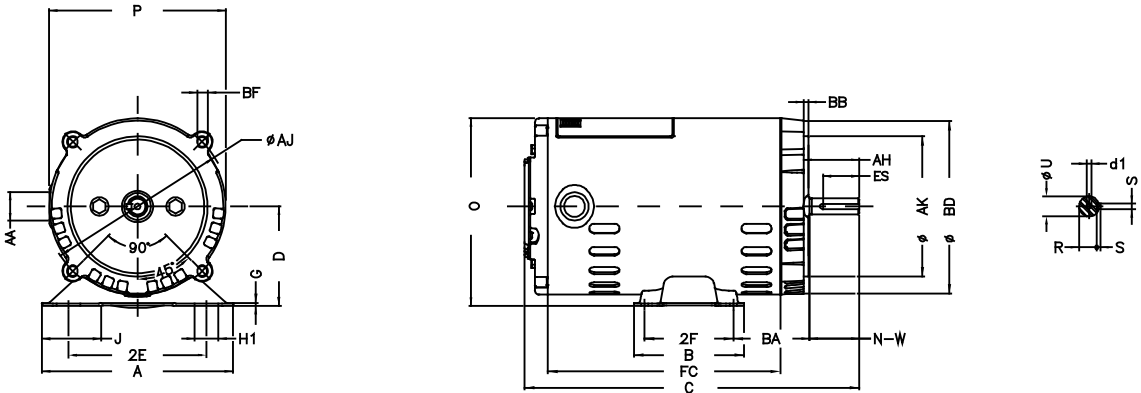
Fractional - Three Phase - ODP - Premium Efficiency - C-Face

| Frame | Type | Flange | Size | AJ | AK | BD | S | T | AH | Angle | BF Number |
|-------|------|--------|--------|-------|-----|------|----------------|-------|-------|-------|-----------|
| W56 | C | C | FC-149 | 5.874 | 4.5 | 6.47 | UNC 3/8"x16-2B | 0.157 | 2.063 | 45° | 4 |
| 48 | C | C | FC-95 | 3.748 | 3 | 4.74 | UNC 1/4"x20-2B | 0.157 | 1.689 | 45° | 4 |
| 56 | C | C | FC-149 | 5.874 | 4.5 | 6.45 | UNC 3/8"x16-2B | 0.157 | 2.062 | 45° | 4 |
| 56H | C | C | FC-149 | 5.874 | 4.5 | 6.45 | UNC 3/8"x16-2B | 0.157 | 2.062 | 45° | 4 |

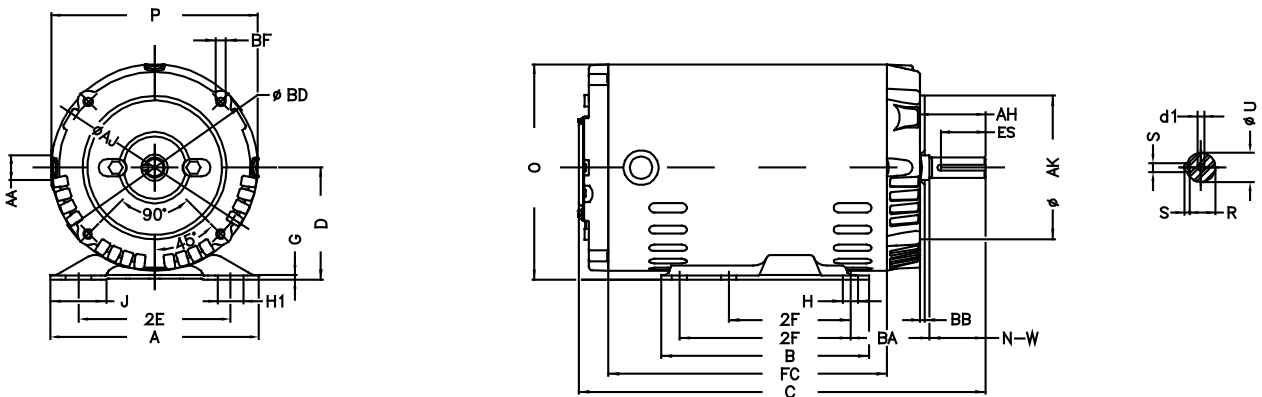
Frame 48



Frame W56



Frame 56 - 56H

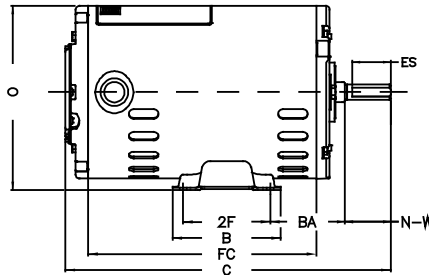
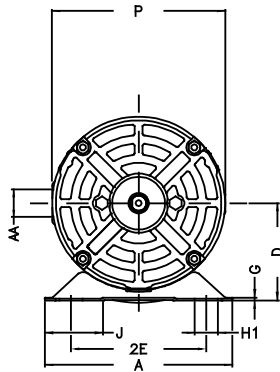


Fractional - Three Phase - ODP - Standard Efficiency

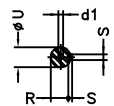
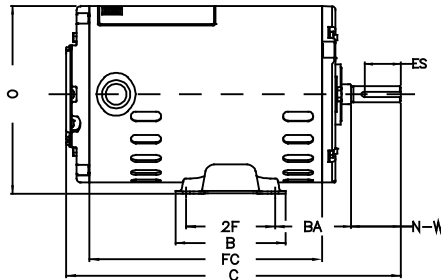
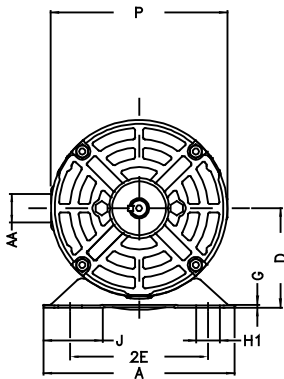
| Frame | 2E | J | A | P | AB | AH | 2F | B | BA | CH | U | N-W | Key Length | R | D |
|-------|-------|-------|-------|-------|-------|-------|-------------|-------|------|-------|-------|-------|------------|-------|-----|
| 48 | 4.236 | 1.835 | 6.142 | 5.709 | 5.52 | 1.689 | 2.748 | 3.543 | 2.5 | 1.22 | 0.5 | 1.5 | 1.26 | 0.451 | 3 |
| W56 | 4.874 | 1.62 | 6.535 | 5.709 | 5.52 | 2.063 | 3 | 4.016 | 2.75 | 1.22 | 0.625 | 1.874 | 1.417 | 0.517 | 3.5 |
| 56 | 4.874 | 1.732 | 6.535 | 6.456 | 3.323 | 2.062 | 3 | 4.016 | 2.75 | 1.377 | 0.625 | 1.874 | 1.417 | 0.517 | 3.5 |
| 56H | 4.874 | 1.732 | 6.535 | 6.456 | 5.882 | 2.062 | 3.000/5.000 | 6.496 | 2.75 | 1.377 | 0.625 | 1.874 | 1.417 | 0.517 | 3.5 |

| Frame | H1 | G | HB | O | HD | HK | Hole H | C | LL | LM | S | AA | T | DE | NDE |
|-------|------|-------|-------|-------|-------|-------|--------|---|-------|-------|-------|----------|-------|---------|---------|
| 48 | 1.22 | 0.075 | 1.559 | 5.83 | 6.354 | 2.65 | 0.343 | | 3.835 | 3.697 | | NPT 1/2" | 0.524 | 6203 ZZ | 6202 ZZ |
| W56 | 1.22 | 0.12 | 2.055 | 6.33 | 6.854 | 2.65 | 0.343 | | 3.835 | 3.697 | 0.187 | NPT 1/2" | 0.524 | 6203 ZZ | 6202 ZZ |
| 56 | 1.22 | 0.12 | 1.784 | 6.724 | 6.728 | 2.629 | 0.343 | | 4.563 | 4.09 | 0.187 | NPT 1/2" | 0.004 | 6203 ZZ | 6202 ZZ |
| 56H | 1.22 | 0.12 | 1.783 | 6.724 | 6.728 | 2.638 | 0.343 | | 4.543 | 4.106 | 0.187 | NPT 1/2" | 0.004 | 6204 ZZ | 6202 ZZ |

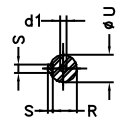
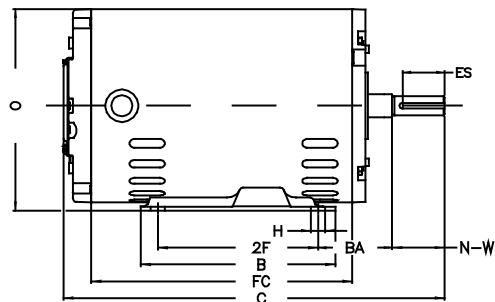
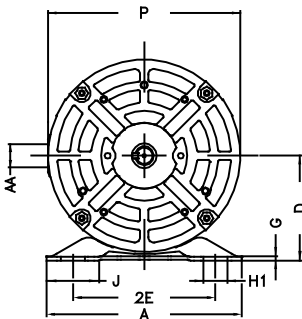
Frame 48



Frame W56



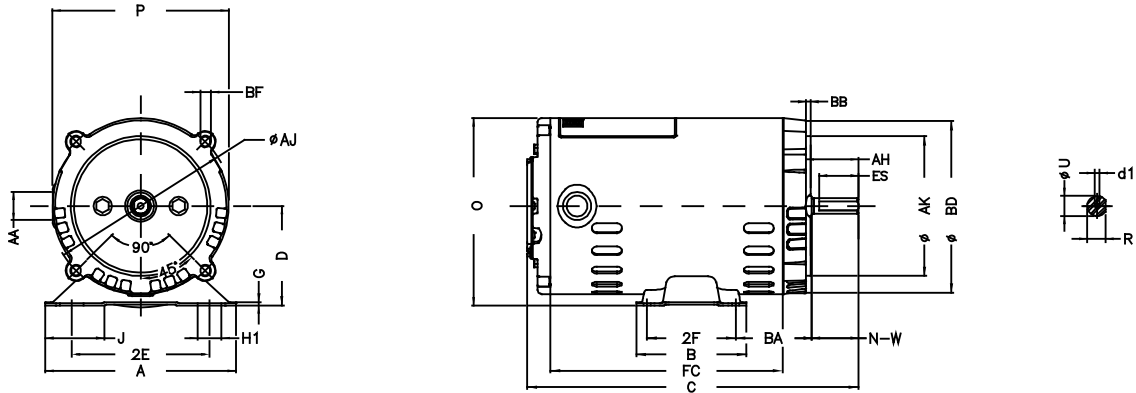
Frame 56 - 56H



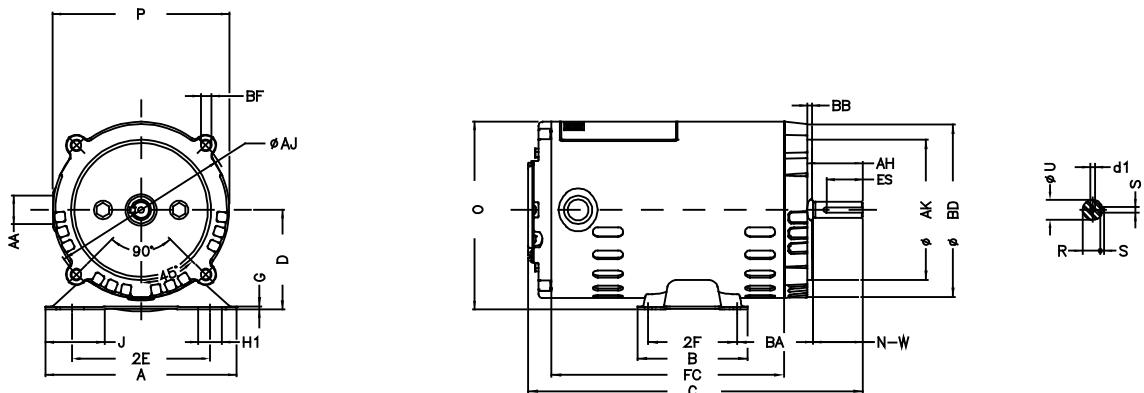
Fractional - Three Phase - ODP - Standard Efficiency - C-Face

| Frame | Type | Flange | Size | AJ | AK | BD | BB | S | T | AH | Angle | BF Number |
|-------|------|--------|--------|-------|-----|------|-------|----------------|-------|-------|-------|-----------|
| W56 | C | C | FC-149 | 5.874 | 4.5 | 6.47 | 0.157 | UNC 3/8"x16-2B | 0.157 | 2.063 | 45° | 4 |
| 48 | C | C | FC-95 | 3.748 | 3 | 4.74 | 0.157 | UNC 1/4"x20-2B | 0.157 | 1.689 | 45° | 4 |
| 56 | C | C | FC-149 | 5.874 | 4.5 | 6.45 | 0.157 | UNC 3/8"x16-2B | 0.157 | 2.062 | 45° | 4 |
| 56H | C | C | FC-149 | 5.874 | 4.5 | 6.45 | 0.157 | UNC 3/8"x16-2B | 0.157 | 2.062 | 45° | 4 |

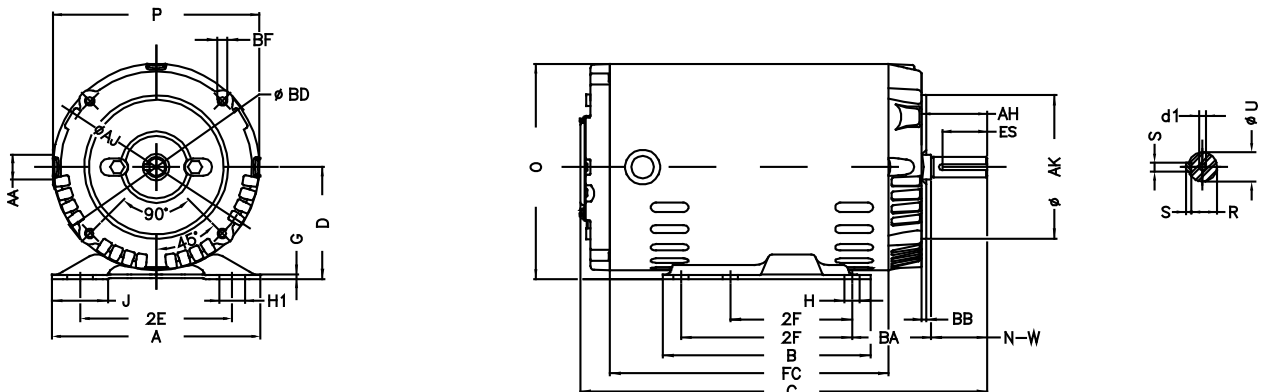
Frame 48



Frame W56



Frame 56 - 56H



Cooling Tower Motors - Three Phase - TEFC

| Frame | 2E | J | A | P | AB | AH | 2F | B | BA | CH | U | N-W | Key Length | R | D |
|----------|--------|-------|--------|--------|--------|--------|---------------|--------|-------|-------|-------|--------|------------|-------|------|
| 143T | 5.5 | 1.437 | 6.457 | 6.85 | 6.26 | 2.125 | 4 | 5.157 | 2.25 | 0.708 | 0.875 | 2.25 | 1.575 | 0.771 | 3.5 |
| 143/5T | 5.5 | 1.437 | 6.457 | 6.85 | 6.26 | 2.125 | 4.000/5.000 | 6.142 | 2.25 | 0.708 | 0.875 | 2.25 | 1.575 | 0.771 | 3.5 |
| 145T | 5.5 | 1.437 | 6.457 | 6.85 | 6.26 | 2.125 | 5 | 6.142 | 2.25 | 0.708 | 0.875 | 2.25 | 1.575 | 0.771 | 3.5 |
| 182T | 7.5 | 1.614 | 8.661 | 8.504 | 7.565 | 2.625 | 4.5 | 5.945 | 2.75 | 1.22 | 1.125 | 2.75 | 1.969 | 0.984 | 4.5 |
| 182/4T | 7.5 | 1.614 | 8.661 | 8.504 | 7.565 | 2.625 | 4.500/5.500 | 6.969 | 2.75 | 1.22 | 1.125 | 2.75 | 1.969 | 0.984 | 4.5 |
| 213T | 8.5 | 1.779 | 9.764 | 10.669 | 8.667 | 3.125 | 5.5 | 7.362 | 3.5 | 1.22 | 1.375 | 3.375 | 2.48 | 1.203 | 5.25 |
| 213/5T | 8.5 | 1.779 | 9.764 | 10.669 | 8.667 | 3.125 | 5.500/7.000 | 8.858 | 3.5 | 1.22 | 1.375 | 3.375 | 2.48 | 1.203 | 5.25 |
| 215T | 8.5 | 1.779 | 9.764 | 10.669 | 8.667 | 3.125 | 7 | 8.858 | 3.5 | 1.22 | 1.375 | 3.375 | 2.48 | 1.203 | 5.25 |
| 254T | 10 | 2.539 | 12.126 | 12.48 | 10.483 | 3.75 | 8.252 | 10 | 4.25 | 1.85 | 1.625 | 4 | 2.756 | 1.416 | 6.25 |
| 254/6T | 10 | 2.539 | 12.126 | 12.48 | 10.483 | 3.75 | 8.252/10.000 | 11.732 | 4.25 | 1.85 | 1.625 | 4 | 2.756 | 1.416 | 6.25 |
| 256T | 10 | 2.539 | 12.126 | 12.48 | 10.483 | 3.75 | 10 | 11.732 | 4.25 | 1.85 | 1.625 | 4 | 2.756 | 1.416 | 6.25 |
| 284TS | 11 | 3.11 | 13.78 | 13.78 | 11.073 | 3 | 9.5 | 11.575 | 4.75 | 2.244 | 1.625 | 3.25 | 2.48 | 1.416 | 7 |
| 284T | 11 | 3.11 | 13.78 | 13.78 | 11.073 | 4.375 | 9.5 | 11.575 | 4.75 | 2.244 | 1.875 | 4.622 | 3.149 | 1.594 | 7 |
| 284/6T | 11 | 3.11 | 13.78 | 13.78 | 11.073 | 4.375 | 9.500/11.000 | 13.071 | 4.75 | 2.244 | 1.875 | 4.622 | 3.149 | 1.594 | 7 |
| 284/6TS | 11 | 3.11 | 13.78 | 13.78 | 11.073 | 3 | 9.500/11.000 | 13.071 | 4.75 | 2.244 | 1.625 | 3.25 | 2.48 | 1.416 | 7 |
| 324T | 12.5 | 3.189 | 15.157 | 14.961 | 12.575 | 5 | 10.5 | 13.071 | 5.25 | 2.638 | 2.125 | 5.25 | 3.937 | 1.844 | 8 |
| 324TS | 12.5 | 3.189 | 15.157 | 14.961 | 12.575 | 3.5 | 10.5 | 13.071 | 5.25 | 2.638 | 1.875 | 3.75 | 2.756 | 1.594 | 8 |
| 324/6TS | 12.5 | 3.189 | 15.157 | 14.961 | 12.575 | 3.5 | 12 | 14.567 | 5.25 | 2.638 | 1.875 | 3.75 | 2.756 | 1.594 | 8 |
| 324/6T | 12.5 | 3.189 | 15.157 | 14.961 | 12.575 | 5 | 10.500/12.000 | 14.567 | 5.25 | 2.638 | 2.125 | 5.25 | 3.937 | 1.844 | 8 |
| 326T | 12.5 | 3.189 | 15.157 | 14.961 | 12.575 | 5 | 12 | 14.567 | 5.25 | 2.638 | 2.125 | 5.25 | 3.937 | 1.844 | 8 |
| 326TS | 12.5 | 3.189 | 15.157 | 14.961 | 12.575 | 3.5 | 12 | 14.567 | 5.25 | 2.638 | 1.875 | 3.75 | 2.756 | 1.594 | 8 |
| 364/5T | 14.016 | 3.15 | 17.165 | 17.914 | 16.016 | 5.625 | 11.260/12.244 | 15.512 | 5.875 | 3.189 | 2.375 | 5.874 | 4.33 | 2.019 | 9 |
| 364/5TS | 14.016 | 3.15 | 17.165 | 17.914 | 16.016 | 3.5 | 11.260/12.244 | 15.512 | 5.875 | 3.189 | 1.875 | 3.748 | 1.968 | 1.591 | 9 |
| 404/5T | 15.984 | 3.937 | 19.921 | 19.134 | 16.016 | 7 | 12.244/13.740 | 18.386 | 6.625 | 3.189 | 2.875 | 7.25 | 5.512 | 2.449 | 10 |
| 404/5TS | 15.984 | 3.937 | 19.921 | 19.134 | 16.016 | 4 | 12.244/13.740 | 18.386 | 6.625 | 3.189 | 2.125 | 4.25 | 2.756 | 1.842 | 10 |
| 444/5T | 18 | 3.937 | 21.929 | 23.583 | 18.57 | 8.25 | 14.500/16.500 | 20.315 | 7.5 | 3.583 | 3.375 | 8.5 | 7.087 | 2.88 | 11 |
| 444/5TS | 18 | 3.937 | 21.929 | 23.583 | 18.57 | 4.5 | 14.500/16.500 | 20.315 | 7.5 | 3.583 | 2.375 | 4.75 | 3 | 2.021 | 11 |
| 445/7T | 18 | 3.937 | 21.929 | 23.583 | 20.559 | 8.25 | 16.500/20.000 | 23.897 | 7.5 | 3.583 | 3.375 | 8.5 | 7.087 | 2.88 | 11 |
| 445/7TS | 18 | 3.937 | 21.929 | 23.583 | 20.559 | 4.5 | 16.500/20.000 | 23.897 | 7.5 | 3.583 | 2.375 | 4.75 | 3 | 2.021 | 11 |
| 447/9T | 18 | 3.937 | 21.929 | 23.583 | 20.559 | 8.25 | 20.000/25.000 | 31.535 | 7.5 | 3.583 | 3.375 | 8.5 | 7.087 | 2.88 | 11 |
| 447/9TS | 18 | 3.937 | 21.929 | 23.583 | 20.559 | 4.5 | 20.000/25.000 | 31.535 | 7.5 | 3.583 | 2.375 | 4.75 | 3 | 2.021 | 11 |
| L447/9T | 18 | 3.937 | 21.929 | 25.866 | 23.72 | 8.25 | 20.000/25.000 | 31.535 | 7.5 | 3.583 | 3.375 | 8.5 | 7.087 | 2.88 | 11 |
| L447/9TS | 18 | 3.937 | 21.929 | 25.866 | 23.72 | 4.5 | 20.000/25.000 | 31.535 | 7.5 | 3.583 | 2.375 | 4.75 | 3 | 2.021 | 11 |
| 504/5T | 20 | 4.724 | 24.724 | 25.866 | 20.599 | 10.375 | 16.000/18.000 | 24.449 | 8.5 | 3.583 | 3.625 | 10.63 | 8.661 | 3.134 | 12.5 |
| 504/5TS | 20 | 4.724 | 24.724 | 25.866 | 20.599 | 4.5 | 16.000/18.000 | 24.449 | 8.5 | 3.583 | 2.375 | 4.75 | 3 | 2.021 | 12.5 |
| 586/7T | 23 | 5.512 | 29.528 | 28.977 | 23.189 | 11.375 | 22.000/25.000 | 29.921 | 10 | 3.583 | 3.875 | 11.625 | 8.661 | 3.312 | 14.5 |
| 586/7TS | 23 | 5.512 | 29.528 | 28.977 | 23.189 | 4.5 | 22.000/25.000 | 29.921 | 10 | 3.583 | 2.375 | 4.75 | 3 | 2.021 | 14.5 |
| 588/9T | 23 | 5.512 | 29.528 | 28.977 | 27.44 | 11.375 | 28.000/32.000 | 37.98 | 10 | 3.583 | 3.875 | 11.625 | 8.661 | 3.312 | 14.5 |
| 588/9TS | 23 | 5.512 | 29.528 | 28.977 | 27.44 | 4.5 | 28.000/32.000 | 37.98 | 10 | 3.583 | 2.375 | 4.75 | 3 | 2.021 | 14.5 |

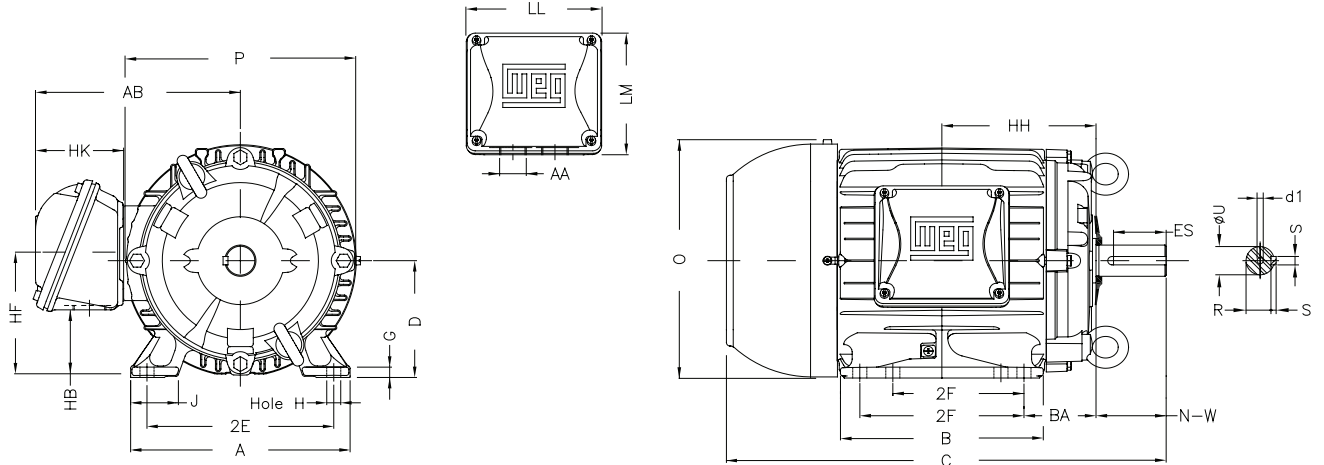
continued on next page

Cooling Tower Motors - Three Phase - TEFC - *continued*

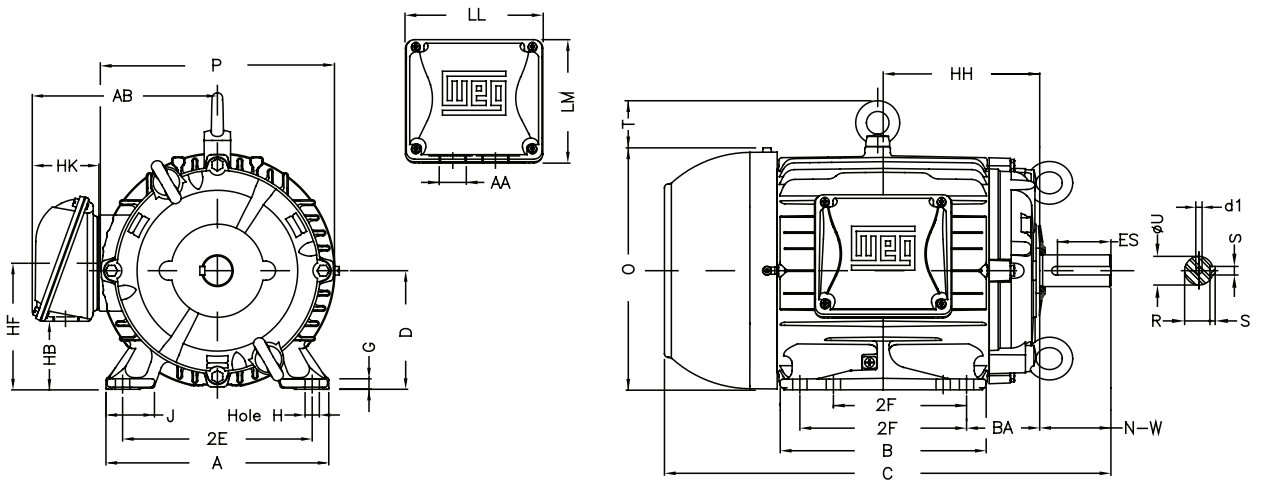
| Frame | G | HB | O | HD | HF | HH | HK | Hole H | C | LL | LM | S | AA | T | DE | NDE |
|---------|-------|-------|--------|--------|-------|--------|-------|--------|--------|--------|--------|-------|------------|-------|-------------|-------------|
| 143T | 0.354 | 1.787 | 7.122 | | 3.5 | 4.25 | 2.638 | 0.344 | 12.346 | 4.528 | 4.094 | 0.187 | NPT 3/4" | | 6205 2RS | 6204 2RS |
| 143/5T | 0.354 | 1.787 | 7.122 | | 3.5 | 4.75 | 2.638 | 0.344 | 13.358 | 4.528 | 4.094 | 0.187 | NPT 3/4" | | 6205 2RS | 6204 2RS |
| 145T | 0.354 | 1.787 | 7.122 | | 3.5 | 4.75 | 2.638 | 0.344 | 13.358 | 4.528 | 4.094 | 0.187 | NPT 3/4" | | 6205 2RS | 6204 2RS |
| 182T | 0.394 | 2.236 | 9.343 | 11.115 | 4.5 | 5 | 3.15 | 0.406 | 14.86 | 5.512 | 5.236 | 0.25 | NPT 1" | 1.772 | 6207 2RS | 6206 2RS |
| 182/4T | 0.394 | 2.236 | 9.343 | 11.115 | 4.5 | 5.5 | 3.15 | 0.406 | 15.86 | 5.512 | 5.236 | 0.25 | NPT 1" | 1.772 | 6207 2RS | 6206 2RS |
| 213T | 0.669 | 2.985 | 10.508 | 12.613 | 5.25 | 6.25 | 3.15 | 0.406 | 18.021 | 5.512 | 5.236 | 0.313 | NPT 1" | 2.105 | 6308 2RS | 6207 2RS |
| 213/5T | 0.669 | 2.985 | 10.508 | 12.613 | 5.25 | 7 | 3.15 | 0.406 | 19.517 | 5.512 | 5.236 | 0.313 | NPT 1" | 2.105 | 6308 2RS | 6207 2RS |
| 215T | 0.669 | 2.985 | 10.508 | 12.613 | 5.25 | 7 | 3.15 | 0.406 | 19.517 | 5.512 | 5.236 | 0.313 | NPT 1" | 2.105 | 6308 2RS | 6207 2RS |
| 254T | 0.827 | 3.061 | 12.598 | 14.685 | 6.565 | 8.376 | 3.976 | 0.531 | 23.213 | 7.815 | 7.48 | 0.375 | NPT 1 1/2" | 2.087 | 6309 2RS-C3 | 6209 2RS-C3 |
| 254/6T | 0.827 | 3.061 | 12.598 | 14.685 | 6.565 | 9.25 | 3.976 | 0.531 | 24.945 | 7.815 | 7.48 | 0.375 | NPT 1 1/2" | 2.087 | 6309 2RS-C3 | 6209 2RS-C3 |
| 256T | 0.827 | 3.061 | 12.598 | 14.685 | 6.565 | 9.25 | 3.976 | 0.531 | 24.945 | 7.815 | 7.48 | 0.375 | NPT 1 1/2" | 2.087 | 6309 2RS-C3 | 6209 2RS-C3 |
| 284TS | 1.023 | 3.535 | 14.067 | 16.154 | 7 | 9.5 | 3.976 | 0.531 | 25.061 | 7.815 | 7.48 | 0.375 | NPT 1 1/2" | 2.087 | 6311 2RS-C3 | 6211 2RS-C3 |
| 284T | 1.023 | 3.535 | 14.067 | 16.154 | 7 | 9.5 | 3.976 | 0.531 | 26.433 | 7.815 | 7.48 | 0.5 | NPT 1 1/2" | 2.087 | 6311 2RS-C3 | 6211 2RS-C3 |
| 284/6T | 1.023 | 3.535 | 14.067 | 16.154 | 7 | 10.25 | 3.976 | 0.531 | 27.929 | 7.815 | 7.48 | 0.5 | NPT 1 1/2" | 2.087 | 6311 2RS-C3 | 6211 2RS-C3 |
| 324T | 1.3 | 4.811 | 15.953 | 18.394 | 8.708 | 10.5 | 4.705 | 0.657 | 29.62 | 9.055 | 8.661 | 0.5 | NPT 2" | 2.441 | 6312 2RS-C3 | 6212 2RS-C3 |
| 324/6TS | 1.3 | 4.811 | 15.953 | 18.394 | 8.708 | 11.25 | 4.705 | 0.657 | 29.616 | 9.055 | 8.661 | 0.5 | NPT 2" | 2.441 | 6312 2RS-C3 | 6212 2RS-C3 |
| 324/6T | 1.3 | 4.811 | 15.953 | 18.394 | 8.708 | 11.25 | 4.705 | 0.657 | 31.116 | 9.055 | 8.661 | 0.5 | NPT 2" | 2.441 | 6312 2RS-C3 | 6212 2RS-C3 |
| 326T | 1.3 | 4.811 | 15.953 | 18.394 | 8.708 | 11.25 | 4.705 | 0.657 | 31.116 | 9.055 | 8.661 | 0.5 | NPT 2" | 2.441 | 6312 2RS-C3 | 6212 2RS-C3 |
| 364/5T | 1.48 | 4.251 | 17.957 | 21.535 | | 11.988 | 6.024 | 0.66 | 34.251 | 10.591 | 11.267 | 0.625 | NPT 3" | 3.578 | 6314 2RS-C3 | 6314 2RS-C3 |
| 404/5T | 1.811 | 5.252 | 19.566 | 23.11 | | 13.496 | 6.024 | 0.81 | 39.73 | 10.591 | 11.267 | 0.75 | NPT 3" | 3.544 | 6316 2RS-C3 | 6314 2RS-C3 |
| 444/5T | 1.63 | 5.687 | 22.795 | | | 15.748 | 5.97 | 0.81 | 44.95 | 12.362 | 12.283 | 0.875 | 2xNPT 3" | | 6319 C3 | 6316 C3 |

Cooling Tower Motors - Three Phase - TEFC - *continued*

Frames 143 to 213/5

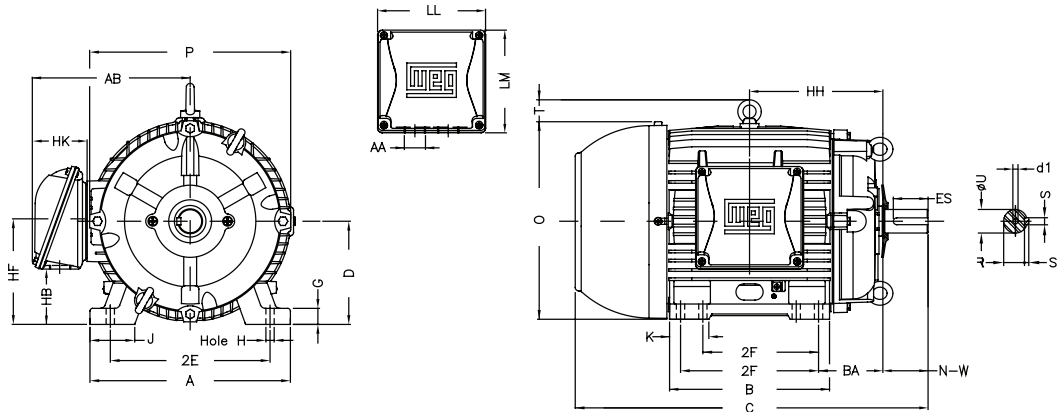


Frames 182 to 213/5

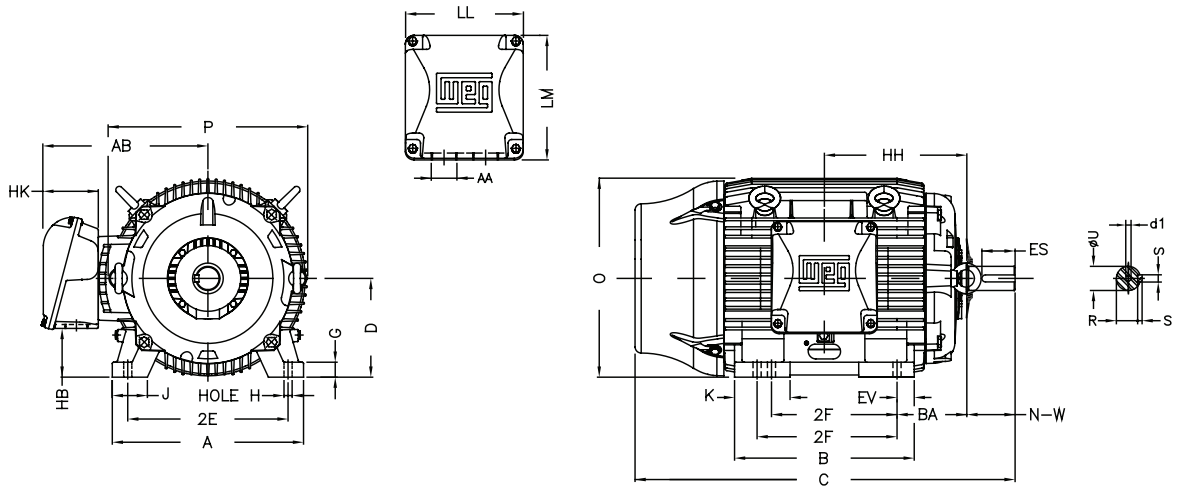


Cooling Tower Motors - Three Phase - TEFC - *continued*

Frames 254 to 326



Frames 364/5 to 445/7



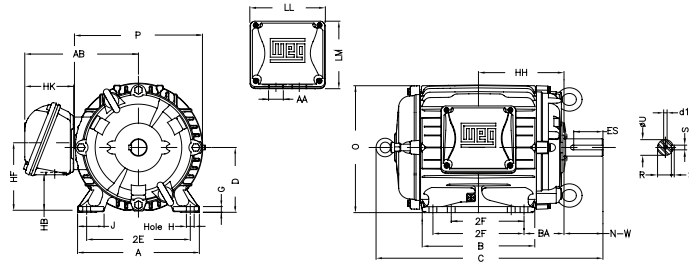
Cooling Tower Motors - Three Phase - TEAO

| Frame | 2E | J | A | P | AB | AH | 2F | B | BA | CH | U | N-W | Key Length | R | D |
|--------|--------|-------|--------|--------|--------|-------|---------------|--------|-------|-------|-------|-------|------------|-------|------|
| 143T | 5.5 | 1.437 | 6.457 | 6.85 | 6.26 | 2.125 | 4 | 5.157 | 2.25 | 0.708 | 0.875 | 2.25 | 1.575 | 0.771 | 3.5 |
| 143/5T | 5.5 | 1.437 | 6.457 | 6.85 | 6.26 | 2.125 | 4.000/5.000 | 6.142 | 2.25 | 0.708 | 0.875 | 2.25 | 1.575 | 0.771 | 3.5 |
| 145T | 5.5 | 1.437 | 6.457 | 6.85 | 6.26 | 2.125 | 5 | 6.142 | 2.25 | 0.708 | 0.875 | 2.25 | 1.575 | 0.771 | 3.5 |
| 182T | 7.5 | 1.614 | 8.661 | 8.504 | 7.565 | 2.625 | 4.5 | 5.945 | 2.75 | 1.22 | 1.125 | 2.75 | 1.969 | 0.984 | 4.5 |
| 182/4T | 7.5 | 1.614 | 8.661 | 8.504 | 7.565 | 2.625 | 4.500/5.500 | 6.969 | 2.75 | 1.22 | 1.125 | 2.75 | 1.969 | 0.984 | 4.5 |
| 213T | 8.5 | 1.779 | 9.764 | 10.669 | 8.667 | 3.125 | 5.5 | 7.362 | 3.5 | 1.22 | 1.375 | 3.375 | 2.48 | 1.203 | 5.25 |
| 213/5T | 8.5 | 1.779 | 9.764 | 10.669 | 8.667 | 3.125 | 5.500/7.000 | 8.858 | 3.5 | 1.22 | 1.375 | 3.375 | 2.48 | 1.203 | 5.25 |
| 215T | 8.5 | 1.779 | 9.764 | 10.669 | 8.667 | 3.125 | 7 | 8.858 | 3.5 | 1.22 | 1.375 | 3.375 | 2.48 | 1.203 | 5.25 |
| 254T | 10 | 2.539 | 12.126 | 12.48 | 10.483 | 3.75 | 8.252 | 10 | 4.25 | 1.85 | 1.625 | 4 | 2.756 | 1.416 | 6.25 |
| 254/6T | 10 | 2.539 | 12.126 | 12.48 | 10.483 | 3.75 | 8.252/10.000 | 11.732 | 4.25 | 1.85 | 1.625 | 4 | 2.756 | 1.416 | 6.25 |
| 256T | 10 | 2.539 | 12.126 | 12.48 | 10.483 | 3.75 | 10 | 11.732 | 4.25 | 1.85 | 1.625 | 4 | 2.756 | 1.416 | 6.25 |
| 284T | 11 | 3.11 | 13.78 | 13.78 | 11.073 | 4.375 | 9.5 | 11.575 | 4.75 | 2.244 | 1.875 | 4.622 | 3.149 | 1.594 | 7 |
| 284TS | 11 | 3.11 | 13.78 | 13.78 | 11.073 | 3 | 9.5 | 11.575 | 4.75 | 2.244 | 1.625 | 3.25 | 2.48 | 1.416 | 7 |
| 284/6T | 11 | 3.11 | 13.78 | 13.78 | 11.073 | 4.375 | 9.500/11.000 | 13.071 | 4.75 | 2.244 | 1.875 | 4.622 | 3.149 | 1.594 | 7 |
| 324T | 12.5 | 3.189 | 15.157 | 14.961 | 12.575 | 5 | 10.5 | 13.071 | 5.25 | 2.638 | 2.125 | 5.25 | 3.937 | 1.844 | 8 |
| 324/6T | 12.5 | 3.189 | 15.157 | 14.961 | 12.575 | 5 | 10.500/12.000 | 14.567 | 5.25 | 2.638 | 2.125 | 5.25 | 3.937 | 1.844 | 8 |
| 326T | 12.5 | 3.189 | 15.157 | 14.961 | 12.575 | 5 | 12 | 14.567 | 5.25 | 2.638 | 2.125 | 5.25 | 3.937 | 1.844 | 8 |
| 364/5T | 14.016 | 3.15 | 17.165 | 17.914 | 16.016 | 5.625 | 11.260/12.244 | 15.512 | 5.875 | 3.189 | 2.375 | 5.874 | 4.33 | 2.019 | 9 |

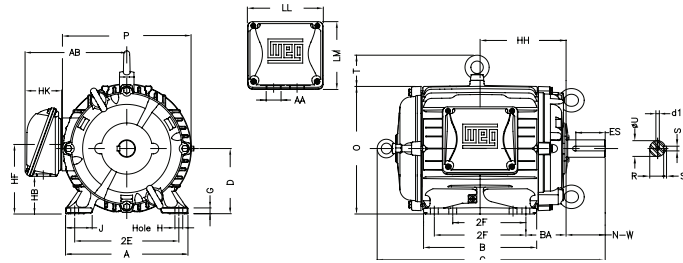
| Frame | G | HB | O | HF | HH | HK | Hole H | C | LL | LM | S | AA | T | DE | NDE |
|--------|-------|-------|--------|-------|--------|-------|--------|--------|--------|--------|-------|------------|-------|-------------|-------------|
| 143T | 0.354 | 1.787 | 7.122 | 3.5 | 4.25 | 2.638 | 0.344 | 12.353 | 4.528 | 4.094 | 0.187 | NPT 3/4" | | 6205 2RS | 6204 2RS |
| 143/5T | 0.354 | 1.787 | 7.122 | 3.5 | 4.75 | 2.638 | 0.344 | 13.338 | 4.528 | 4.094 | 0.187 | NPT 3/4" | | 6205 2RS | 6204 2RS |
| 145T | 0.354 | 1.787 | 7.122 | 3.5 | 4.75 | 2.638 | 0.344 | 13.338 | 4.528 | 4.094 | 0.187 | NPT 3/4" | | 6205 2RS | 6204 2RS |
| 182T | 0.394 | 2.236 | 9.343 | 4.5 | 5 | 3.15 | 0.406 | 14.298 | 5.512 | 5.236 | 0.25 | NPT 1" | 1.772 | 6207 2RS | 6206 2RS |
| 182/4T | 0.394 | 2.236 | 9.343 | 4.5 | 5.5 | 3.15 | 0.406 | 15.298 | 5.512 | 5.236 | 0.25 | NPT 1" | 1.772 | 6207 2RS | 6206 2RS |
| 213T | 0.669 | 2.985 | 10.508 | 5.25 | 6.25 | 3.15 | 0.406 | 17.239 | 5.512 | 5.236 | 0.313 | NPT 1" | 2.105 | 6308 2RS | 6207 2RS |
| 213/5T | 0.669 | 2.985 | 10.508 | 5.25 | 7 | 3.15 | 0.406 | 18.739 | 5.512 | 5.236 | 0.313 | NPT 1" | 2.105 | 6308 2RS | 6207 2RS |
| 215T | 0.669 | 2.985 | 10.508 | 5.25 | 7 | 3.15 | 0.406 | 18.739 | 5.512 | 5.236 | 0.313 | NPT 1" | 2.105 | 6308 2RS | 6207 2RS |
| 254T | 0.827 | 3.061 | 12.598 | 6.565 | 8.376 | 3.976 | 0.531 | 21.594 | 7.815 | 7.48 | 0.375 | NPT 1 1/2" | 2.087 | 6309 2RS-C3 | 6209 2RS-C3 |
| 254/6T | 0.827 | 3.061 | 12.598 | 6.565 | 9.25 | 3.976 | 0.531 | 23.343 | 7.815 | 7.48 | 0.375 | NPT 1 1/2" | 2.087 | 6309 2RS-C3 | 6209 2RS-C3 |
| 256T | 0.827 | 3.061 | 12.598 | 6.565 | 9.25 | 3.976 | 0.531 | 23.343 | 7.815 | 7.48 | 0.375 | NPT 1 1/2" | 2.087 | 6309 2RS-C3 | 6209 2RS-C3 |
| 284T | 1.023 | 3.535 | 14.067 | 7 | 9.5 | 3.976 | 0.531 | 25.418 | 7.815 | 7.48 | 0.5 | NPT 1 1/2" | 2.087 | 6311 2RS-C3 | 6211 2RS-C3 |
| 284/6T | 1.023 | 3.535 | 14.067 | 7 | 10.25 | 3.976 | 0.531 | 26.918 | 7.815 | 7.48 | 0.5 | NPT 1 1/2" | 2.087 | 6311 2RS-C3 | 6211 2RS-C3 |
| 324T | 1.3 | 4.811 | 15.953 | 8.708 | 10.5 | 4.705 | 0.657 | 28.575 | 9.055 | 8.661 | 0.5 | NPT 2" | 2.441 | 6312 2RS-C3 | 6212 2RS-C3 |
| 324/6T | 1.3 | 4.811 | 15.953 | 8.708 | 11.25 | 4.705 | 0.657 | 30.071 | 9.055 | 8.661 | 0.5 | NPT 2" | 2.441 | | |
| 326T | 1.3 | 4.811 | 15.953 | 8.708 | 11.25 | 4.705 | 0.657 | 30.071 | 9.055 | 8.661 | 0.5 | NPT 2" | 2.441 | 6312 2RS-C3 | 6212 2RS-C3 |
| 364/5T | 1.48 | 4.251 | 17.957 | | 11.988 | 6.024 | 0.66 | 29.39 | 10.591 | 11.267 | 0.625 | NPT 3" | 3.578 | 6314 2RS-C3 | 6314 2RS-C3 |

Cooling Tower Motors - Three Phase - TEAO - *continued*

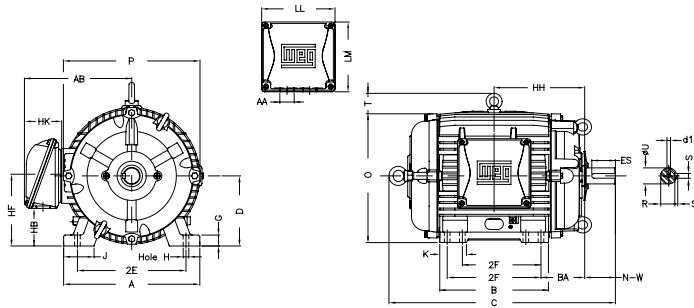
Frame 143 to 145



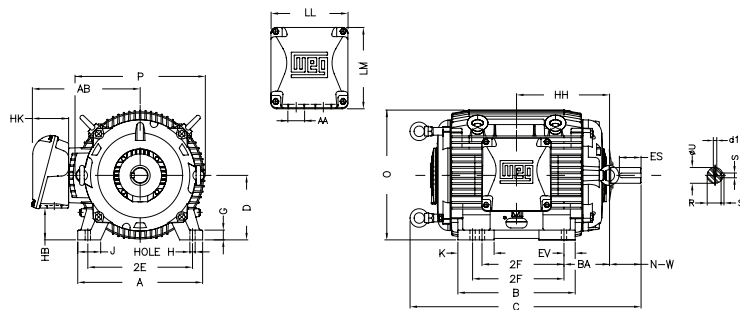
Frame 182 to 213/5



Frames 254 to 326



Frames 364 to 445/7



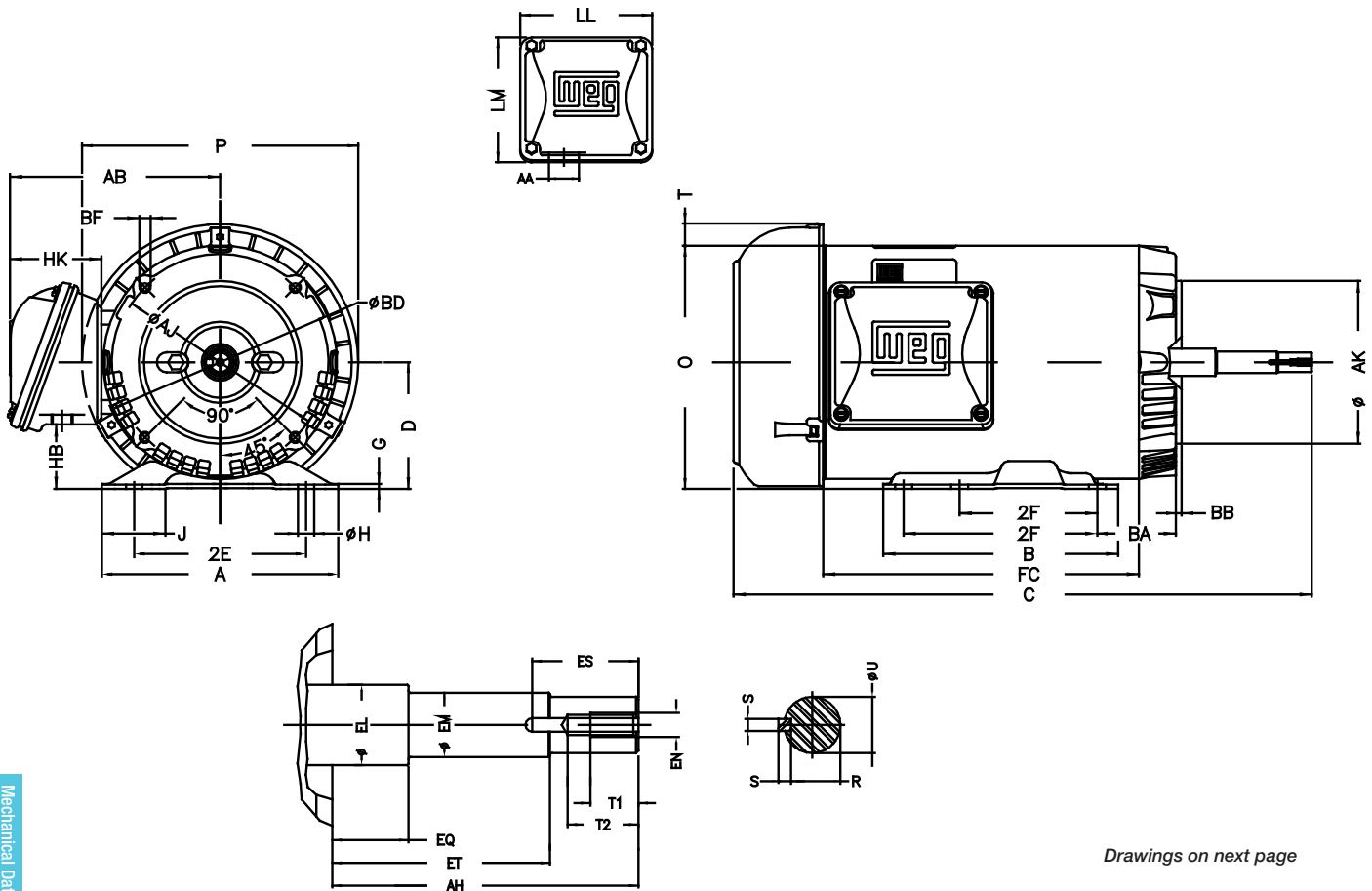
CCP - JM - Three Phase - TEFC - Rolled Steel

| Frame | 2E | J | A | P | AB | AH | 2F | B | BA | C | CH | U | EL | EM | EP | EQ |
|---------|-----|-------|--------|--------|-------|-------|--------------|--------|------|---|-------|-------|-------|-------|-------|------|
| 143/5JM | 5.5 | 1.732 | 6.535 | 7.638 | 5.873 | 4.267 | 4.000/5.000 | 6.496 | 2.75 | | 1.377 | 0.875 | 1.156 | 1 | 1.179 | 0.63 |
| 182/4JM | 7.5 | 1.299 | 8.661 | 9.435 | 6.696 | 4.258 | 4.500/5.500 | 6.299 | 3.5 | | 1.377 | 0.875 | 1.25 | 1 | 1.376 | 0.63 |
| 213/5JM | 8.5 | 1.575 | 9.449 | 10.965 | 7.973 | 4.258 | 5.500/7.000 | 7.953 | 4.25 | | 1.929 | 0.875 | 1.25 | 1 | 1.769 | 0.63 |
| 254/6JM | 10 | 1.693 | 11.417 | 13.18 | 9.448 | 5.25 | 8.252/10.000 | 11.417 | 4.75 | | 1.929 | 1.249 | 1.75 | 1.375 | 1.769 | 0.63 |

| Frame | Key Length | ET | R | D | G | HB | O | HD | HK | Hole H | LL | LM | S | AA | T | DE | NDE |
|---------|------------|-------|-------|------|-------|-------|--------|--------|-------|--------|-------|-------|-------|--------|-------|-----------|-----------|
| 143/5JM | 1.575 | 2.88 | 0.771 | 3.5 | 0.12 | 1.784 | 6.724 | 7.327 | 2.629 | 0.343 | 4.563 | 4.09 | 0.187 | 1.118" | 0.603 | 6206 ZZ | 6203 ZZ |
| 182/4JM | 1.575 | 2.88 | 0.771 | 4.5 | 0.167 | 2.784 | 8.557 | 9.218 | 2.629 | 0.406 | 4.563 | 4.09 | 0.187 | 1.118" | 0.661 | 6207 ZZ | 6205 ZZ |
| 213/5JM | 1.575 | 2.88 | 0.771 | 5.25 | 0.167 | 2.982 | 10.144 | 10.905 | 3.022 | 0.406 | 5.551 | 5.25 | 0.187 | 1.377" | 0.761 | 6209 ZZ | 6206 ZZ |
| 254/6JM | 2.559 | 3.006 | 1.11 | 6.25 | 0.187 | 3.631 | 12.01 | 12.84 | 3.645 | 0.53 | 6.299 | 6.017 | 0.25 | 1.732" | 0.83 | 6309 Z-C3 | 6208 Z-C3 |

| Frame | Type | Flange | Size | AJ | AK | BD | S | T | AH | Angle | BF Number |
|---------|------|--------|--------|-------|-----|--------|-------------|-------|-------|-------|-----------|
| 143/5JM | C | C | FC-149 | 5.874 | 4.5 | 6.45 | UNC 3/8"x16 | 0.157 | 4.267 | 45° | 4 |
| 182/4JM | C | C | FC-149 | 5.874 | 4.5 | 6.496 | UNC 3/8"x16 | 0.157 | 4.258 | 45° | 4 |
| 213/5JM | C | C | FC-184 | 7.25 | 8.5 | 9.401 | UNC 1/2"x13 | 0.25 | 4.258 | 45° | 4 |
| 254/6JM | C | C | FC-184 | 7.25 | 8.5 | 11.084 | UNC 1/2"x13 | 0.25 | 5.25 | 45° | 4 |

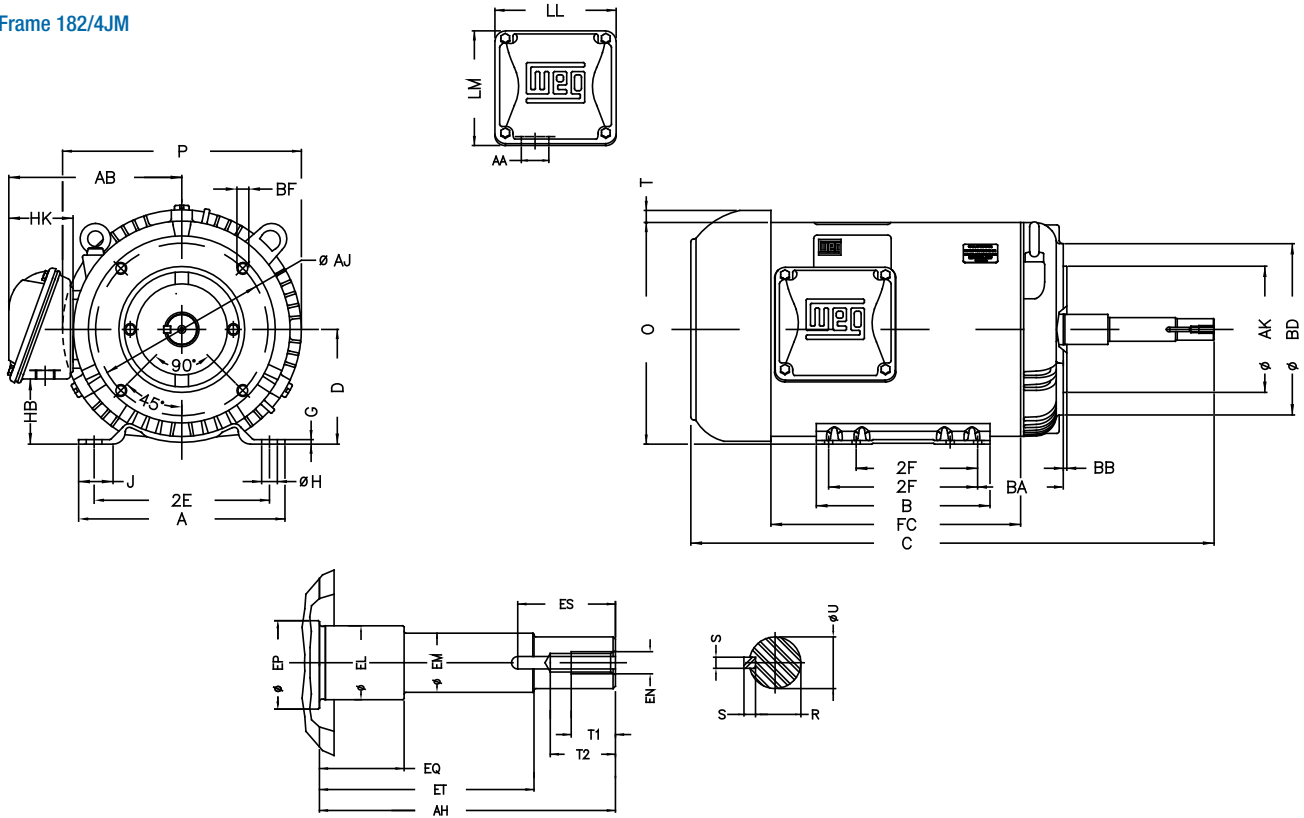
Frame 143/5JM



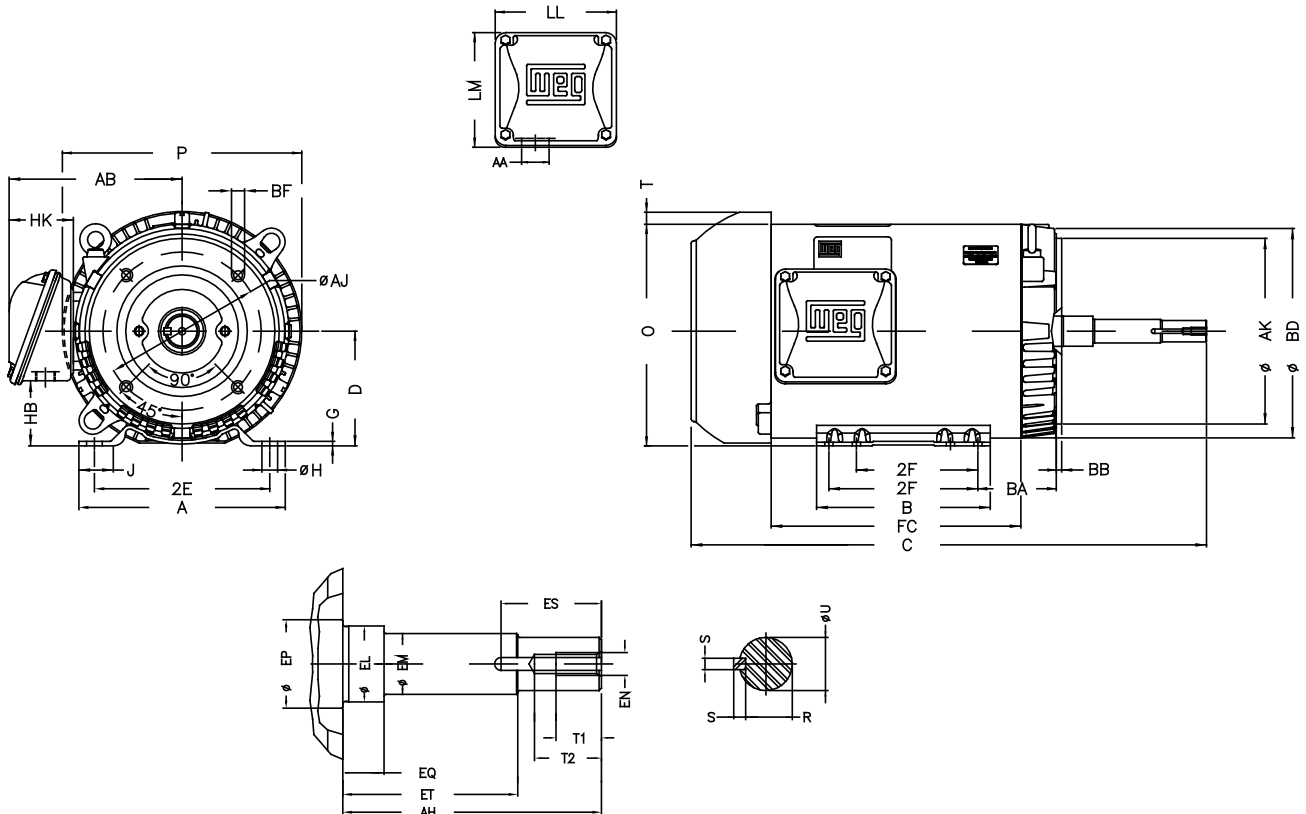
Drawings on next page

CCP - JM - Three Phase - TEFC - Rolled Steel - *continued*

Frame 182/4JM



Frames 213/5JM to 254/6JM



CCP - JM - Three Phase - TEFC - Cast Iron

| Frame | 2E | J | A | P | AB | AH | 2F | B | BA | CH | U | d1 | EL | EM | EP |
|---------|--------|-------|--------|--------|--------|-------|---------------|--------|-------|-------|-------|--------------|-------|-------|-------|
| 143JM | 5.5 | 1.437 | 6.457 | 7.047 | 6.26 | 4.258 | 4 | 5.157 | 2.56 | 0.719 | 0.874 | EUNC 3/8"-16 | 1.156 | 1 | 1.179 |
| 143/5JM | 5.5 | 1.437 | 6.457 | 7.047 | 6.26 | 4.258 | 4.000/5.000 | 6.142 | 2.56 | 0.719 | 0.874 | EUNC 3/8"-16 | 1.156 | 1 | 1.179 |
| 145JM | 5.5 | 1.437 | 6.457 | 7.047 | 6.26 | 4.258 | 5 | 6.142 | 2.56 | 0.719 | 0.874 | EUNC 3/8"-16 | 1.156 | 1 | 1.179 |
| 182JM | 7.5 | 1.614 | 8.661 | 8.74 | 7.565 | 4.258 | 4.5 | 5.945 | 2.75 | 1.337 | 0.874 | EUNC 3/8"-16 | 1.25 | 1 | 1.376 |
| 184JM | 7.5 | 1.614 | 8.661 | 8.74 | 7.565 | 4.258 | 5.5 | 6.969 | 2.75 | 1.337 | 0.874 | EUNC 3/8"-16 | 1.25 | 1 | 1.376 |
| 182/4JM | 7.5 | 1.614 | 8.661 | 8.74 | 7.565 | 4.258 | 4.500/5.500 | 6.969 | 2.75 | 1.337 | 0.874 | EUNC 3/8"-16 | 1.25 | 1 | 1.376 |
| 213JM | 8.5 | 1.779 | 9.764 | 10.669 | 8.606 | 4.258 | 5.5 | 7.362 | 3.5 | 1.22 | 0.874 | EUNC 3/8"-16 | 1.25 | 1 | 1.77 |
| 213/5JM | 8.5 | 1.779 | 9.764 | 10.669 | 8.606 | 4.258 | 5.500/7.000 | 8.858 | 3.5 | 1.22 | 0.874 | EUNC 3/8"-16 | 1.25 | 1 | 1.77 |
| 215JM | 8.5 | 1.779 | 9.764 | 10.669 | 8.606 | 4.258 | 7 | 8.858 | 3.5 | 1.22 | 0.874 | EUNC 3/8"-16 | 1.25 | 1 | 1.77 |
| 254JM | 10 | 2.539 | 12.126 | 12.953 | 10.483 | 5.25 | 8.252 | 10 | 4.25 | 1.85 | 1.249 | EUNC 1/2"-13 | 1.75 | 1.375 | 1.75 |
| 254JM | 10 | 2.539 | 12.126 | 12.953 | 10.483 | 5.25 | 8.252 | 10 | 4.25 | 1.85 | 1.249 | EUNC 1/2"-13 | 1.75 | 1.375 | 1.75 |
| 256JM | 10 | 2.539 | 12.126 | 12.953 | 10.483 | 5.25 | 10 | 11.732 | 4.25 | 1.85 | 1.249 | EUNC 1/2"-13 | 1.75 | 1.375 | 1.75 |
| 254/6JM | 10 | 2.539 | 12.126 | 12.953 | 10.483 | 5.25 | 8.252/10.000 | 11.732 | 4.25 | 1.85 | 1.249 | EUNC 1/2"-13 | 1.75 | 1.375 | 1.75 |
| 284JM | 11 | 3.11 | 13.78 | 14.173 | 11.073 | 5.25 | 9.5 | 11.575 | 4.75 | 2.244 | 1.249 | EUNC 1/2"-13 | 1.75 | 1.375 | 2.163 |
| 284/6JM | 11 | 3.11 | 13.78 | 14.173 | 11.073 | 5.25 | 9.500/11.000 | 13.071 | 4.75 | 2.244 | 1.249 | EUNC 1/2"-13 | 1.75 | 1.375 | 2.163 |
| 286JM | 11 | 3.11 | 13.78 | 14.173 | 11.073 | 5.25 | 11 | 13.071 | 4.75 | 2.244 | 1.249 | EUNC 1/2"-13 | 1.75 | 1.375 | 2.163 |
| 324JM | 12.5 | 3.189 | 15.157 | 15.827 | 12.575 | 5.25 | 10.5 | 13.071 | 5.25 | 2.638 | 1.249 | EUNC 1/2"-13 | 1.75 | 1.375 | 2.36 |
| 324/6JM | 12.5 | 3.189 | 15.157 | 15.827 | 12.575 | 5.25 | 10.500/12.000 | 14.567 | 5.25 | 2.638 | 1.249 | EUNC 1/2"-13 | 1.75 | 1.375 | 2.36 |
| 326JM | 12.5 | 3.189 | 15.157 | 15.827 | 12.575 | 5.25 | 12 | 14.567 | 5.25 | 2.638 | 1.249 | EUNC 1/2"-13 | 1.75 | 1.375 | 2.36 |
| 364/5JM | 14.016 | 3.15 | 17.165 | 17.914 | 16.016 | 5.25 | 11.260/12.244 | 15.512 | 5.875 | 3.189 | 1.249 | EUNC 1/2"-13 | 1.75 | 1.375 | 2.756 |

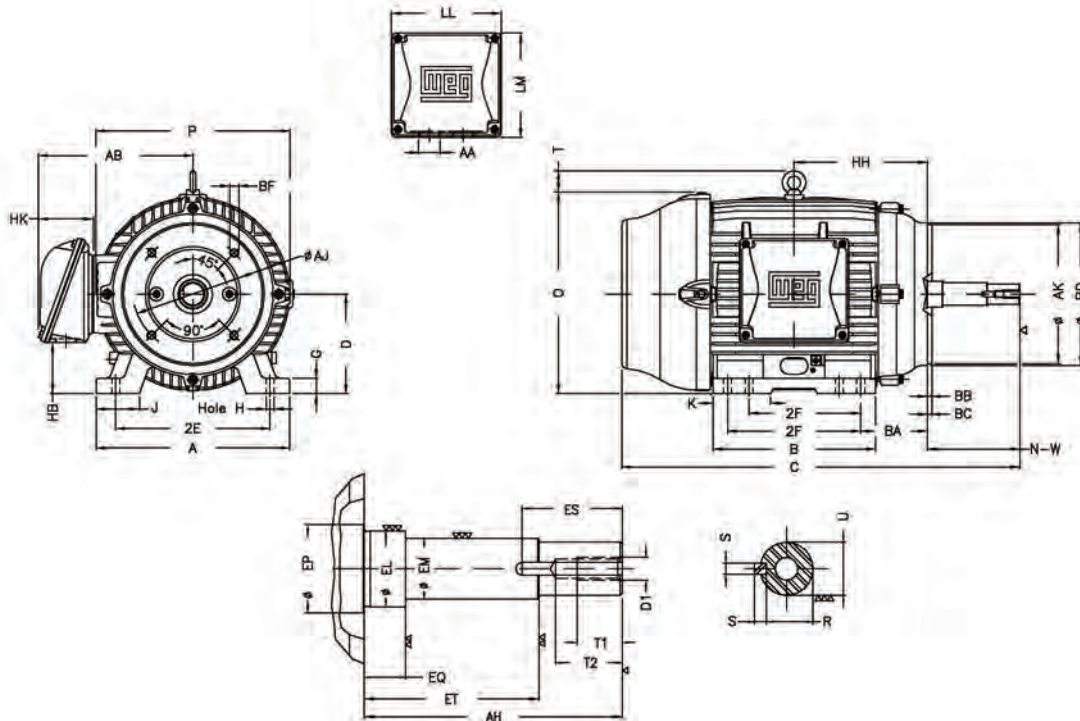
| Frame | EQ | ET | R | D | HB | O | HH | HK | Hole H | C | LL | LM | S | T | DE | NDE |
|---------|------|-------|-------|------|-------|--------|--------|-------|--------|--------|--------|--------|-------|-------|-----------|---------|
| 143JM | 0.63 | 2.88 | 0.768 | 3.5 | 1.787 | 7.122 | 4.25 | 2.638 | 0.344 | 14.691 | 4.528 | 4.094 | 0.187 | | 6206 ZZ | 6204 ZZ |
| 143/5JM | 0.63 | 2.88 | 0.767 | 3.5 | 1.787 | 7.122 | 4.75 | 2.638 | 0.344 | 15.675 | 4.528 | 4.094 | 0.187 | | 6206 ZZ | 6204 ZZ |
| 145JM | 0.63 | 2.88 | 0.767 | 3.5 | 1.787 | 7.122 | 4.75 | 2.638 | 0.344 | 15.675 | 4.528 | 4.094 | 0.187 | | 6206 ZZ | 6204 ZZ |
| 182JM | 0.63 | 2.88 | 0.768 | 4.5 | 2.236 | 9.343 | 5 | 3.15 | 0.406 | 16.412 | 5.512 | 5.236 | 0.187 | 1.772 | 6307 ZZ | 6206 ZZ |
| 184JM | 0.63 | 2.88 | 0.768 | 4.5 | 2.236 | 9.343 | 5.5 | 3.15 | 0.406 | 17.411 | 5.512 | 5.236 | 0.187 | 1.772 | 6307 ZZ | 6206 ZZ |
| 182/4JM | 0.63 | 2.88 | 0.768 | 4.5 | 2.236 | 9.343 | 5.5 | 3.15 | 0.406 | 17.411 | 5.512 | 5.236 | 0.187 | 1.772 | 6307 ZZ | 6206 ZZ |
| 213JM | 0.63 | 2.88 | 0.768 | 5.25 | 2.985 | 10.508 | 6.25 | 3.15 | 0.406 | 18.852 | 5.512 | 5.236 | 0.187 | 2.105 | 6309 Z-C3 | 6207 ZZ |
| 213/5JM | 0.63 | 2.88 | 0.768 | 5.25 | 2.985 | 10.508 | 7 | 3.15 | 0.406 | 20.392 | 5.512 | 5.236 | 0.187 | 2.105 | 6309 Z-C3 | 6207 ZZ |
| 215JM | 0.63 | 2.88 | 0.768 | 5.25 | 2.985 | 10.508 | 7 | 3.15 | 0.406 | 20.392 | 5.512 | 5.236 | 0.187 | 2.105 | 6309 Z-C3 | 6207 ZZ |
| 254JM | 0.63 | 3.006 | 1.11 | 6.25 | 3.061 | 12.598 | 8.376 | 3.976 | 0.531 | 24.478 | 7.815 | 7.48 | 0.25 | 2.087 | 6309 C3 | 6209 C3 |
| 254JM | 0.63 | 3.006 | 1.11 | 6.25 | 3.061 | 12.598 | 8.376 | 3.976 | 0.531 | 24.478 | 7.815 | 7.48 | 0.25 | 2.087 | 6309 C3 | 6209 C3 |
| 256JM | 0.63 | 3.006 | 1.11 | 6.25 | 3.061 | 12.598 | 9.25 | 3.976 | 0.531 | 26.226 | 7.815 | 7.48 | 0.25 | 2.087 | 6309 C3 | 6209 C3 |
| 254/6JM | 0.63 | 3.006 | 1.11 | 6.25 | 3.061 | 12.598 | 9.25 | 3.976 | 0.531 | 26.226 | 7.815 | 7.48 | 0.25 | 2.087 | 6309 C3 | 6209 C3 |
| 284JM | 0.63 | 3.006 | 1.11 | 7 | 3.535 | 14.067 | 9.5 | 3.976 | 0.531 | 27.165 | 7.815 | 7.48 | 0.25 | 2.087 | 6311 C3 | 6211 C3 |
| 284/6JM | 0.63 | 3.006 | 1.11 | 7 | 3.535 | 14.067 | 10.25 | 3.976 | 0.531 | 28.7 | 7.815 | 7.48 | 0.25 | 2.087 | 6311 C3 | 6211 C3 |
| 286JM | 0.63 | 3.006 | 1.11 | 7 | 3.535 | 14.067 | 10.25 | 3.976 | 0.531 | 28.7 | 7.815 | 7.48 | 0.25 | 2.087 | 6311 C3 | 6211 C3 |
| 324JM | 0.63 | 3.006 | 1.11 | 8 | 4.811 | 15.953 | 10.5 | 4.705 | 0.657 | 28.149 | 9.055 | 8.661 | 0.25 | 2.441 | 6312 C3 | 6212 C3 |
| 324/6JM | 0.63 | 3.006 | 1.11 | 8 | 4.811 | 15.953 | 11.25 | 4.705 | 0.657 | 29.645 | 9.055 | 8.661 | 0.25 | 2.441 | 6312 C3 | 6212 C3 |
| 326JM | 0.63 | 3.006 | 1.11 | 8 | 4.811 | 15.953 | 11.25 | 4.705 | 0.657 | 29.645 | 9.055 | 8.661 | 0.25 | 2.441 | 6312 C3 | 6212 C3 |
| 364/5JM | 0.63 | 3.006 | 1.11 | 9 | 4.251 | 17.716 | 11.988 | 6.024 | 0.66 | 33.832 | 10.591 | 11.267 | 0.25 | 3.819 | 6314 C3 | 6314 C3 |

continued on next page

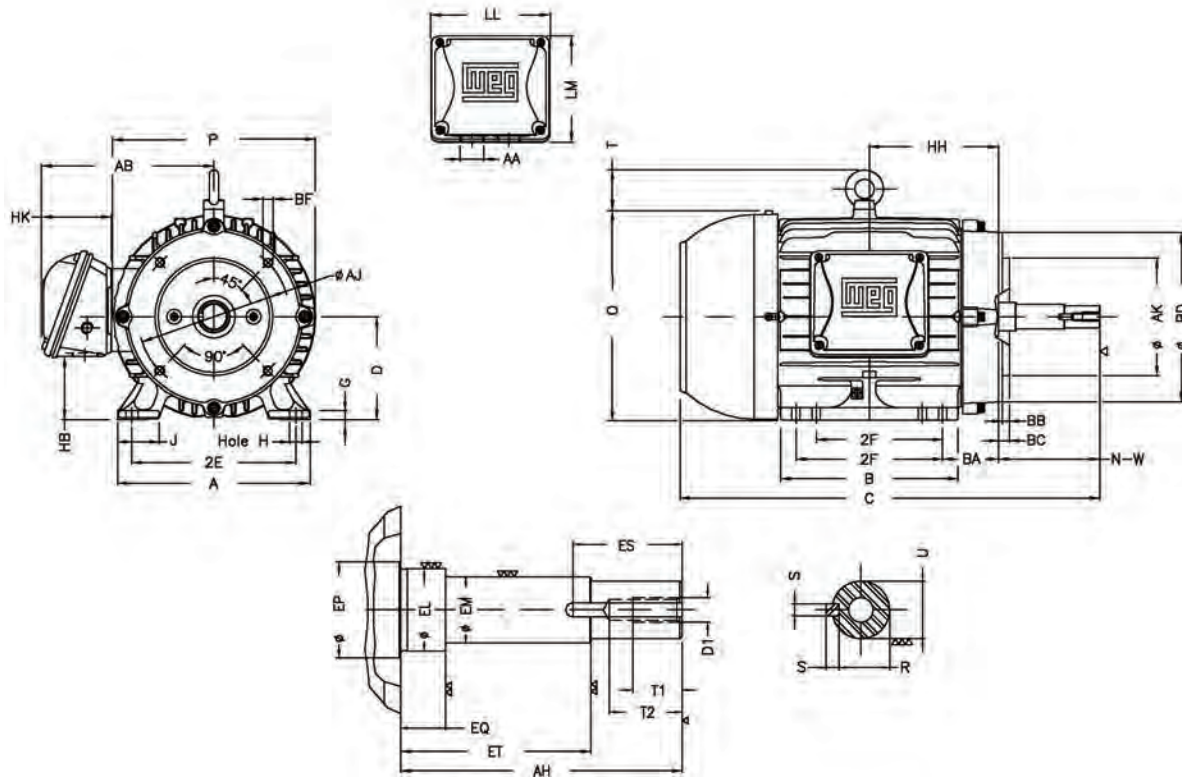
CCP - JM - Three Phase - TEFC - Cast Iron - *continued*

| Frame | Type | Flange | Size | AJ | AK | BD | S | T | AH | Angle | BF Number |
|---------|------|--------|--------|-------|------|--------|-------------|-------|-------|-------|-----------|
| 143JM | C | C | FC-149 | 5.874 | 4.5 | 6.496 | UNC 3/8"x16 | 0.157 | 4.258 | 45° | 4 |
| 145JM | C | C | FC-149 | 5.874 | 4.5 | 6.496 | UNC 3/8"x16 | 0.157 | 4.258 | 45° | 4 |
| 143/5JM | C | C | FC-149 | 5.874 | 4.5 | 6.496 | UNC 3/8"x16 | 0.157 | 4.258 | 45° | 4 |
| 182JM | C | C | FC-149 | 5.874 | 4.5 | 6.496 | UNC 3/8"x16 | 0.157 | 4.258 | 45° | 4 |
| 184JM | C | C | FC-149 | 5.874 | 4.5 | 6.496 | UNC 3/8"x16 | 0.157 | 4.258 | 45° | 4 |
| 182/4JM | C | C | FC-149 | 5.874 | 4.5 | 6.496 | UNC 3/8"x16 | 0.157 | 4.258 | 45° | 4 |
| 213JM | C | C | FC-184 | 7.252 | 8.5 | 8.858 | UNC 1/2"x13 | 0.248 | 4.258 | 45° | 4 |
| 213/5JM | C | C | FC-184 | 7.252 | 8.5 | 8.858 | UNC 1/2"x13 | 0.248 | 4.258 | 45° | 4 |
| 215JM | C | C | FC-184 | 7.252 | 8.5 | 8.858 | UNC 1/2"x13 | 0.248 | 4.258 | 45° | 4 |
| 254JM | C | C | FC-184 | 7.252 | 8.5 | 8.858 | UNC 1/2"x13 | 0.248 | 5.25 | 45° | 4 |
| 256JM | C | C | FC-184 | 7.252 | 8.5 | 8.858 | UNC 1/2"x13 | 0.248 | 5.25 | 45° | 4 |
| 254/6JM | C | C | FC-184 | 7.252 | 8.5 | 8.858 | UNC 1/2"x13 | 0.248 | 5.25 | 45° | 4 |
| 284JM | C | C | FC-279 | 11 | 12.5 | 13.593 | UNC 5/8"x11 | 0.248 | 5.25 | 45° | 4 |
| 286JM | C | C | FC-279 | 11 | 12.5 | 13.593 | UNC 5/8"x11 | 0.248 | 5.25 | 45° | 4 |
| 284/6JM | C | C | FC-279 | 11 | 12.5 | 13.593 | UNC 5/8"x11 | 0.248 | 5.25 | 45° | 4 |
| 324JM | C | C | FC-279 | 11 | 12.5 | 13.593 | UNC 5/8"x11 | 0.248 | 5.25 | 45° | 4 |
| 326JM | C | C | FC-279 | 11 | 12.5 | 13.593 | UNC 5/8"x11 | 0.248 | 5.25 | 45° | 4 |
| 324/6JM | C | C | FC-279 | 11 | 12.5 | 13.593 | UNC 5/8"x11 | 0.248 | 5.25 | 45° | 4 |
| 364/5JM | C | C | FC-279 | 11 | 12.5 | 15.562 | UNC 5/8"x11 | 0.248 | 5.25 | 45° | 8 |

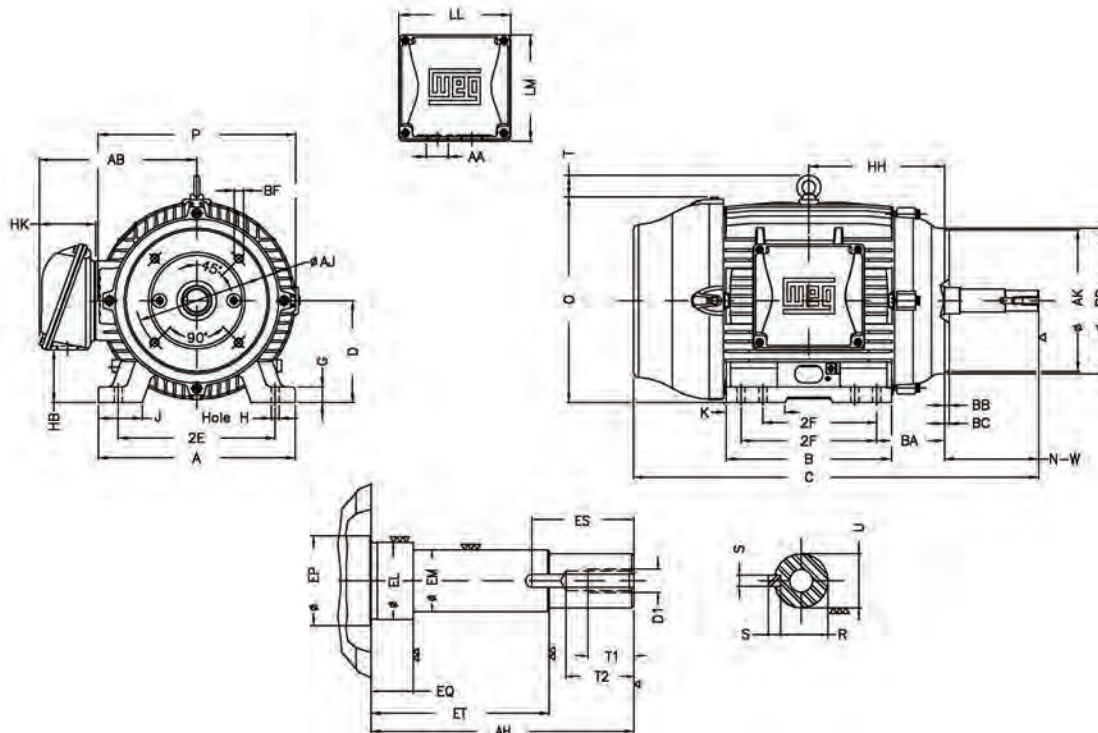
Frames 143JM to 215JM



Frames 254JM to 326JM



Frame 364/5JM



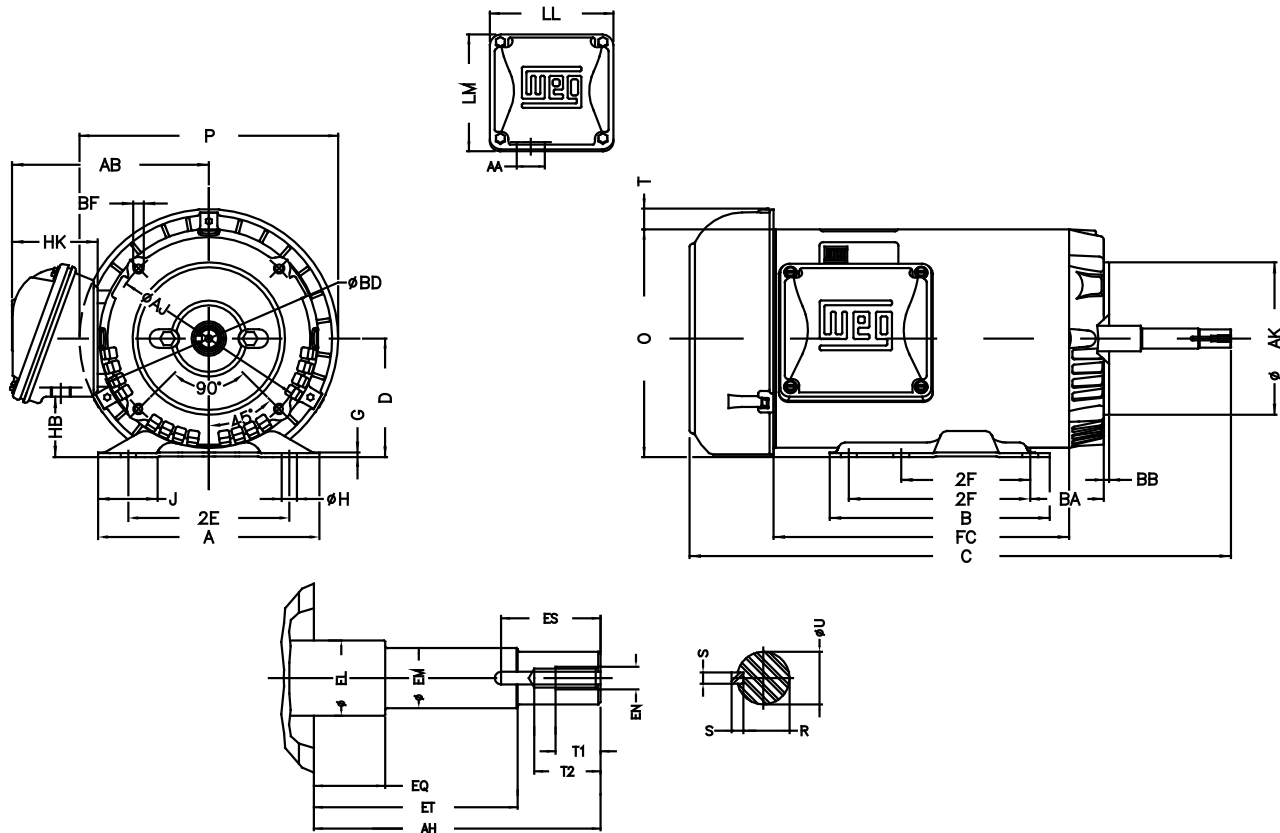
CCP - JP - Three Phase - TEFC - Rolled Steel

| Frame | 2E | J | A | P | AB | AH | 2F | B | BA | CH | U | d1 | EL | EM | EP |
|---------|-----|-------|--------|--------|-------|-------|--------------|--------|------|-------|-------|--------------|-------|-------|-------|
| 143/5JP | 5.5 | 1.732 | 6.535 | 7.638 | 5.873 | 7.319 | 4.000/5.000 | 6.496 | 2.75 | 1.377 | 0.875 | EUNC 3/8"-16 | 1.156 | 1 | 1.179 |
| 182/4JP | 7.5 | 1.299 | 8.661 | 9.435 | 6.696 | 7.319 | 4.500/5.500 | 6.299 | 3.5 | 1.377 | 0.875 | EUNC 3/8"-16 | 1.25 | 1 | 1.376 |
| 213/5JP | 8.5 | 1.575 | 9.449 | 10.965 | 7.973 | 8.13 | 5.500/7.000 | 7.953 | 4.25 | 1.929 | 1.25 | EUNC 1/2"-13 | 1.75 | 1.375 | 1.769 |
| 254/6JP | 10 | 1.693 | 11.417 | 13.18 | 9.448 | 8.13 | 8.252/10.000 | 11.417 | 4.75 | 1.929 | 1.249 | EUNC 1/2"-13 | 1.75 | 1.375 | 1.769 |

| Frame | Key Length | ET | Width | R | D | G | HB | O | HK | Hole H | LL | LM | S | AA | T | DE | NDE |
|---------|------------|-------|-------|-------|------|-------|-------|--------|-------|--------|-------|-------|-------|--------|-------|-----------|-----------|
| 143/5JP | 1.654 | 5.941 | 0.187 | 0.771 | 3.5 | 0.12 | 1.784 | 6.724 | 2.629 | 0.343 | 4.563 | 4.09 | 0.187 | 1.118" | 0.603 | 6206 ZZ | 6203 ZZ |
| 182/4JP | 1.654 | 5.941 | 0.187 | 0.771 | 4.5 | 0.167 | 2.784 | 8.557 | 2.629 | 0.406 | 4.563 | 4.09 | 0.187 | 1.118" | 0.661 | 6207 ZZ | 6205 ZZ |
| 213/5JP | 2.56 | 5.886 | 0.25 | 1.11 | 5.25 | 0.167 | 2.982 | 10.144 | 3.022 | 0.406 | 5.551 | 5.25 | 0.25 | 1.377" | 0.761 | 6209 ZZ | 6206 ZZ |
| 254/6JP | 2.559 | 5.886 | 0.25 | 1.11 | 6.25 | 0.187 | 3.631 | 12.01 | 3.645 | 0.53 | 6.299 | 6.017 | 0.25 | 1.732" | 0.83 | 6309 Z-C3 | 6208 Z-C3 |

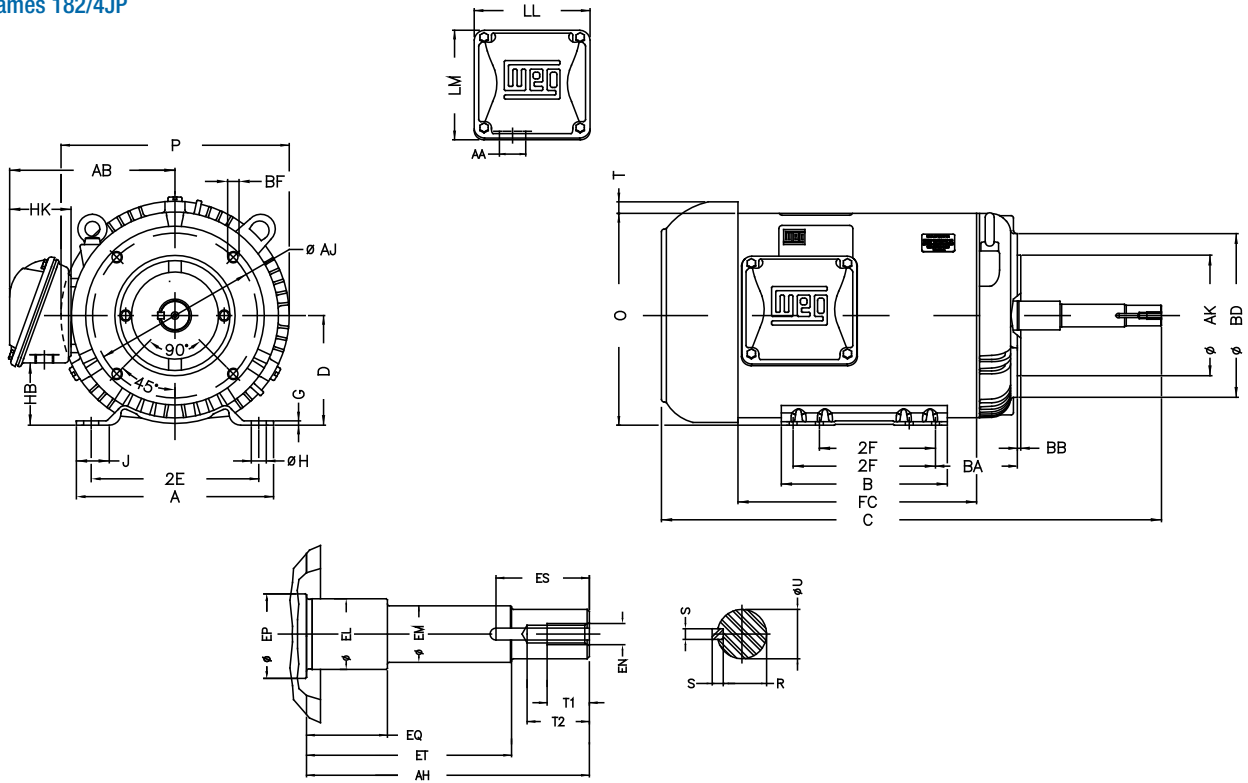
| Frame | Type | Flange | Size | BB | AJ | AK | BD | S | T | AH | Angle | BF Number |
|---------|------|--------|--------|-------|-------|-----|--------|-------------|-------|-------|-------|-----------|
| 143/5JP | C | C | FC-149 | 0.157 | 5.874 | 4.5 | 6.45 | UNC 3/8"x16 | 0.157 | 7.319 | 45° | 4 |
| 182/4JP | C | C | FC-149 | 0.157 | 5.874 | 4.5 | 6.496 | UNC 3/8"x16 | 0.138 | 7.319 | 45° | 4 |
| 213/5JP | C | C | FC-184 | 0.25 | 7.25 | 8.5 | 9.401 | UNC 1/2"x13 | 0.25 | 8.13 | 45° | 4 |
| 254/6JP | C | C | FC-184 | 0.25 | 7.25 | 8.5 | 11.084 | UNC 1/2"x13 | 0.25 | 8.13 | 45° | 4 |

Frames 143/5JP

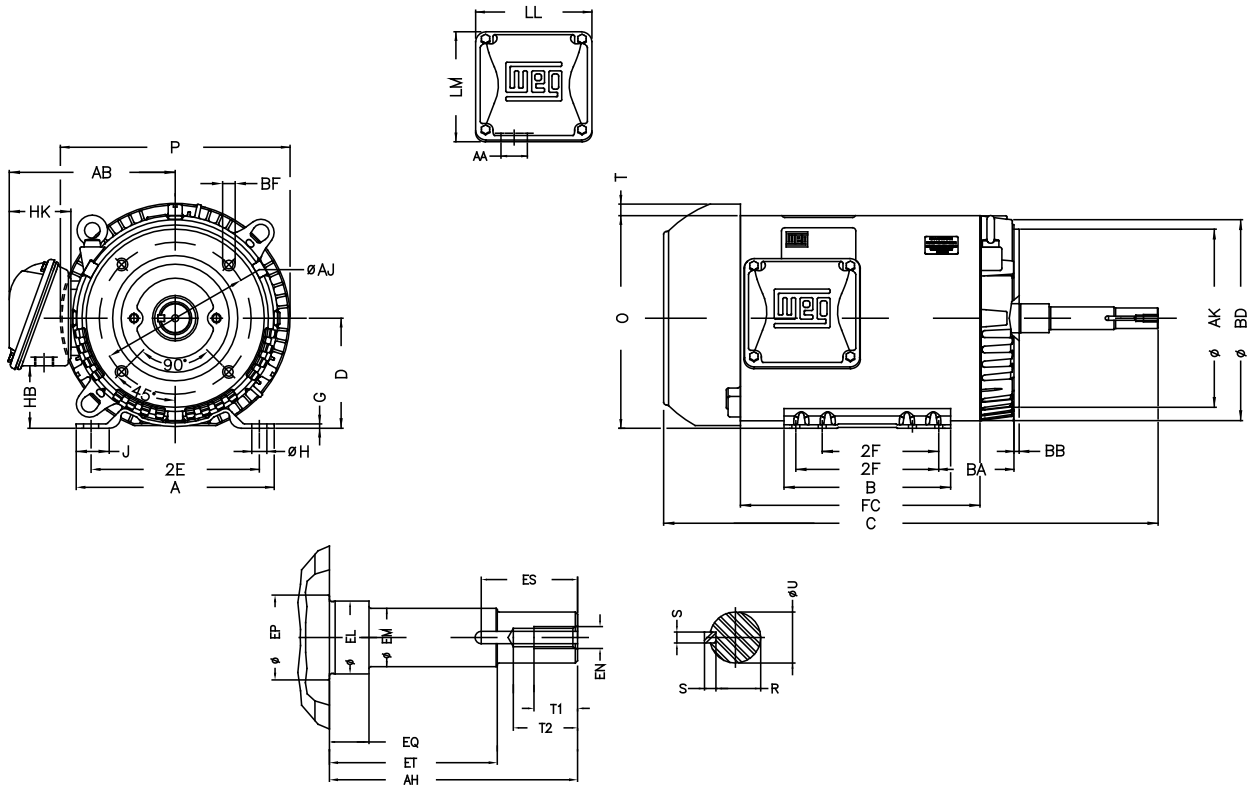


CCP - JP - Three Phase - TEFC - Rolled Steel - *continued*

Frames 182/4JP



Frames 213-254/6JP



Mechanical Data

CCP - JP - Three Phase - TEFC - Cast Iron

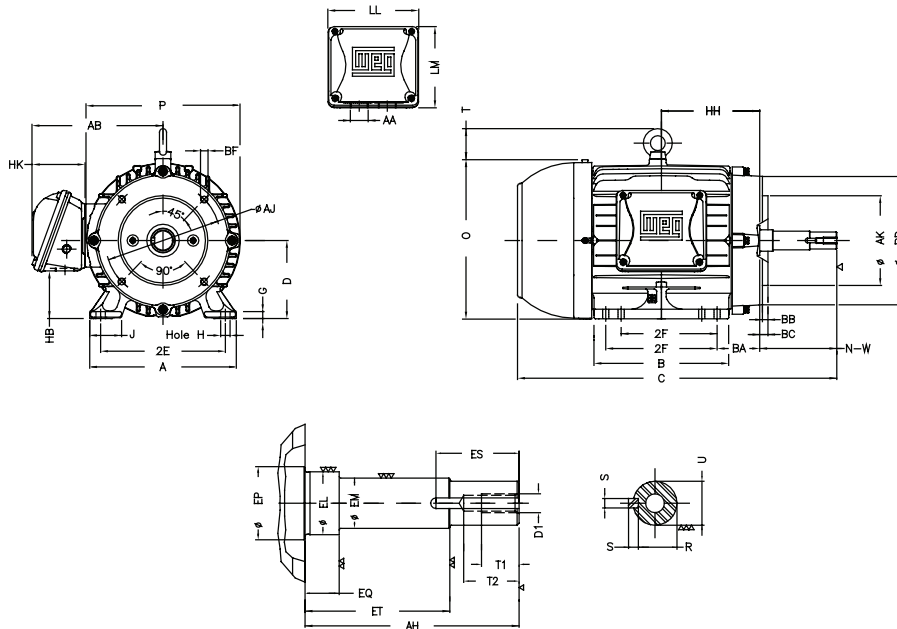
| Frame | 2E | J | A | P | AB | AH | 2F | B | BA | CH | U | EL | EM | EP | EQ | Key Length |
|---------|--------|-------|--------|--------|--------|-------|---------------|--------|-------|-------|-------|-------|-------|-------|-------|------------|
| 143JP | 5.5 | 1.437 | 6.457 | 7.047 | 6.26 | 7.319 | 4 | 5.157 | 2.56 | 0.719 | 0.874 | 1.156 | 1 | 1.179 | 1.563 | 1.654 |
| 143/5JP | 5.5 | 1.437 | 6.457 | 7.047 | 6.26 | 7.319 | 4.000/5.000 | 6.142 | 2.56 | 0.719 | 0.874 | 1.156 | 1 | 1.179 | 1.563 | 1.654 |
| 145JP | 5.5 | 1.437 | 6.457 | 7.047 | 6.26 | 7.319 | 5 | 6.142 | 2.56 | 0.719 | 0.874 | 1.156 | 1 | 1.179 | 1.563 | 1.654 |
| 182JP | 7.5 | 1.614 | 8.661 | 8.74 | 7.565 | 7.319 | 4.5 | 5.945 | 2.75 | 1.337 | 0.874 | 1.25 | 1 | 1.376 | 1.563 | 1.575 |
| 182/4JP | 7.5 | 1.614 | 8.661 | 8.74 | 7.565 | 7.319 | 4.500/5.500 | 6.969 | 2.75 | 1.337 | 0.874 | 1.25 | 1 | 1.376 | 1.563 | 1.575 |
| 213JP | 8.5 | 1.779 | 9.764 | 10.669 | 8.606 | 8.13 | 5.5 | 7.362 | 3.5 | 1.22 | 1.249 | 1.75 | 1.375 | 1.77 | 2.382 | 2.48 |
| 213/5JP | 8.5 | 1.779 | 9.764 | 10.669 | 8.606 | 8.13 | 5.500/7.000 | 8.858 | 3.5 | 1.22 | 1.249 | 1.75 | 1.375 | 1.77 | 2.382 | 2.48 |
| 215JP | 8.5 | 1.779 | 9.764 | 10.669 | 8.606 | 8.13 | 7 | 8.858 | 3.5 | 1.22 | 1.249 | 1.75 | 1.375 | 1.77 | 2.382 | 2.48 |
| 254JP | 10 | 2.539 | 12.126 | 12.953 | 10.483 | 8.13 | 8.252 | 10 | 4.25 | 1.85 | 1.249 | 1.75 | 1.375 | 1.77 | 2.382 | 2.48 |
| 254/6JP | 10 | 2.539 | 12.126 | 12.953 | 10.483 | 8.13 | 8.252/10.000 | 11.732 | 4.25 | 1.85 | 1.249 | 1.75 | 1.375 | 1.77 | 2.382 | 2.48 |
| 256JP | 10 | 2.539 | 12.126 | 12.953 | 10.483 | 8.13 | 10 | 11.732 | 4.25 | 1.85 | 1.249 | 1.75 | 1.375 | 1.77 | 2.382 | 2.48 |
| 284JP | 11 | 3.11 | 13.78 | 14.173 | 11.073 | 8.13 | 9.5 | 11.575 | 4.75 | 2.244 | 1.249 | 1.75 | 1.375 | 2.163 | 2.382 | 2.48 |
| 284/6JP | 11 | 3.11 | 13.78 | 14.173 | 11.073 | 8.13 | 9.500/11.000 | 13.071 | 4.75 | 2.244 | 1.249 | 1.75 | 1.375 | 2.163 | 2.382 | 2.48 |
| 324JP | 12.5 | 3.189 | 15.157 | 15.827 | 12.575 | 8.13 | 10.5 | 13.071 | 5.25 | 2.638 | 1.249 | 1.75 | 1.375 | 2.36 | 2.402 | 2.48 |
| 326JP | 12.5 | 3.189 | 15.157 | 15.827 | 12.575 | 8.13 | 12 | 14.567 | 5.25 | 2.638 | 1.249 | 1.75 | 1.375 | 2.36 | 2.402 | 2.48 |
| 324/6JP | 12.5 | 3.189 | 15.157 | 15.827 | 12.575 | 8.13 | 10.500/12.000 | 14.567 | 5.25 | 2.638 | 1.249 | 1.75 | 1.375 | 2.36 | 2.402 | 2.48 |
| 364/5JP | 14.016 | 3.15 | 17.165 | 17.914 | 16.016 | 8.13 | 11.260/12.244 | 15.512 | 5.875 | 3.189 | 1.624 | 2.125 | 1.75 | 2.756 | 2.382 | 2.48 |
| 404/5JP | 15.984 | 3.937 | 19.921 | 19.134 | 16.016 | 8.13 | 12.244/13.740 | 18.386 | 6.625 | 3.189 | 1.624 | 2.125 | 1.75 | 2.756 | 2.382 | 2.48 |

| Frame | ET | R | D | G | HB | O | HH | HK | Hole H | C | LL | LM | S | AA | DE | NDE |
|---------|-------|-------|------|-------|-------|--------|--------|-------|--------|--------|--------|--------|-------|------------|-----------|---------|
| 143JP | 5.941 | 0.768 | 3.5 | 0.354 | 1.787 | 7.122 | 4.25 | 2.638 | 0.344 | 17.752 | 4.528 | 4.094 | 0.187 | NPT 3/4" | 6206 ZZ | 6204 ZZ |
| 143/5JP | 5.941 | 0.768 | 3.5 | 0.354 | 1.787 | 7.122 | 4.75 | 2.638 | 0.344 | 18.736 | 4.528 | 4.094 | 0.187 | NPT 3/4" | 6206 ZZ | 6204 ZZ |
| 145JP | 5.941 | 0.768 | 3.5 | 0.354 | 1.787 | 7.122 | 4.75 | 2.638 | 0.344 | 18.736 | 4.528 | 4.094 | 0.187 | NPT 3/4" | 6206 ZZ | 6204 ZZ |
| 182JP | 5.941 | 0.768 | 4.5 | 0.394 | 2.236 | 9.343 | 5 | 3.15 | 0.406 | 19.475 | 5.512 | 5.236 | 0.187 | NPT 1" | 6307 ZZ | 6206 ZZ |
| 182/4JP | 5.941 | 0.768 | 4.5 | 0.394 | 2.236 | 9.343 | 5.5 | 3.15 | 0.406 | 20.475 | 5.512 | 5.236 | 0.187 | NPT 1" | 6307 ZZ | 6206 ZZ |
| 213JP | 5.886 | 1.11 | 5.25 | 0.669 | 2.985 | 10.508 | 6.25 | 3.15 | 0.406 | 22.804 | 5.512 | 5.236 | 0.25 | NPT 1" | 6309 Z-C3 | 6207 ZZ |
| 213/5JP | 5.886 | 1.11 | 5.25 | 0.669 | 2.985 | 10.508 | 7 | 3.15 | 0.406 | 24.264 | 5.512 | 5.236 | 0.25 | NPT 1" | 6309 Z-C3 | 6207 ZZ |
| 215JP | 5.886 | 1.11 | 5.25 | 0.669 | 2.985 | 10.508 | 7 | 3.15 | 0.406 | 24.264 | 5.512 | 5.236 | 0.25 | NPT 1" | 6309 Z-C3 | 6207 ZZ |
| 254JP | 5.886 | 1.11 | 6.25 | 0.827 | 3.061 | 12.598 | 8.376 | 3.976 | 0.531 | 27.358 | 7.815 | 7.48 | 0.25 | NPT 1 1/2" | 6309 C3 | 6209 C3 |
| 254/6JP | 5.886 | 1.11 | 6.25 | 0.827 | 3.061 | 12.598 | 9.25 | 3.976 | 0.531 | 29.106 | 7.815 | 7.48 | 0.25 | NPT 1 1/2" | 6309 C3 | 6209 C3 |
| 256JP | 5.886 | 1.11 | 6.25 | 0.827 | 3.061 | 12.598 | 9.25 | 3.976 | 0.531 | 29.106 | 7.815 | 7.48 | 0.25 | NPT 1 1/2" | 6309 C3 | 6209 C3 |
| 284JP | 5.886 | 1.11 | 7 | 1.023 | 3.535 | 14.067 | 9.5 | 3.976 | 0.531 | 30.079 | 7.815 | 7.48 | 0.25 | NPT 1 1/2" | 6311 C3 | 6211 C3 |
| 284/6JP | 5.886 | 1.11 | 7 | 1.023 | 3.535 | 14.067 | 10.25 | 3.976 | 0.531 | 31.575 | 7.815 | 7.48 | 0.25 | NPT 1 1/2" | 6311 C3 | 6211 C3 |
| 324JP | 5.906 | 1.11 | 8 | 1.3 | 4.811 | 15.953 | 10.5 | 4.705 | 0.657 | 32.525 | 9.055 | 8.661 | 0.25 | NPT 2" | 6312 C3 | 6212 C3 |
| 326JP | 5.906 | 1.11 | 8 | 1.3 | 4.811 | 15.953 | 11.25 | 4.705 | 0.657 | 34.021 | 9.055 | 8.661 | 0.25 | NPT 2" | 6312 C3 | 6212 C3 |
| 324/6JP | 5.906 | 1.11 | 8 | 1.3 | 4.811 | 15.953 | 11.25 | 4.705 | 0.657 | 34.021 | 9.055 | 8.661 | 0.25 | NPT 2" | 6312 C3 | 6212 C3 |
| 364/5JP | 5.886 | 1.413 | 9 | 1.48 | 4.251 | 17.716 | 11.988 | 6.024 | 0.66 | 35.916 | 10.591 | 11.267 | 0.375 | NPT 3" | 6314 C3 | 6314 C3 |
| 404/5JP | 5.886 | 1.413 | 10 | 1.811 | 5.252 | 19.566 | 13.496 | 6.024 | 0.81 | 38.911 | 10.591 | 11.267 | 0.375 | NPT 3" | 6314 C3 | 6314 C3 |

CCP - JP - Three Phase - TEFC - Cast Iron - *continued*

| Frame | Type | Flange | Size | AJ | AK | BD | S | T | AH | Angle | BF Number |
|---------|------|--------|--------|-------|------|--------|-------------|-------|-------|-------|-----------|
| 143JP | C | C | FC-149 | 5.874 | 4.5 | 6.496 | UNC 3/8"x16 | 0.157 | 7.319 | 45° | 4 |
| 143/5JP | C | C | FC-149 | 5.874 | 4.5 | 6.496 | UNC 3/8"x16 | 0.157 | 7.319 | 45° | 4 |
| 145JP | C | C | FC-149 | 5.874 | 4.5 | 6.496 | UNC 3/8"x16 | 0.157 | 7.319 | 45° | 4 |
| 182JP | C | C | FC-149 | 5.874 | 4.5 | 6.496 | UNC 3/8"x16 | 0.157 | 7.319 | 45° | 4 |
| 182/4JP | C | C | FC-149 | 5.874 | 4.5 | 6.496 | UNC 3/8"x16 | 0.157 | 7.319 | 45° | 4 |
| 213JP | C | C | FC-184 | 7.252 | 8.5 | 8.858 | UNC 1/2"x13 | 0.248 | 8.13 | 45° | 4 |
| 213/5JP | C | C | FC-184 | 7.252 | 8.5 | 8.858 | UNC 1/2"x13 | 0.248 | 8.13 | 45° | 4 |
| 215JP | C | C | FC-184 | 7.252 | 8.5 | 8.858 | UNC 1/2"x13 | 0.248 | 8.13 | 45° | 4 |
| 254JP | C | C | FC-184 | 7.252 | 8.5 | 8.858 | UNC 1/2"x13 | 0.248 | 8.13 | 45° | 4 |
| 254/6JP | C | C | FC-184 | 7.252 | 8.5 | 8.858 | UNC 1/2"x13 | 0.248 | 8.13 | 45° | 4 |
| 256JP | C | C | FC-184 | 7.252 | 8.5 | 8.858 | UNC 1/2"x13 | 0.248 | 8.13 | 45° | 4 |
| 284JP | C | C | FC-279 | 11 | 12.5 | 13.593 | UNC 5/8"x11 | 0.248 | 8.13 | 45° | 4 |
| 284/6JP | C | C | FC-279 | 11 | 12.5 | 13.593 | UNC 5/8"x11 | 0.248 | 8.13 | 45° | 4 |
| 324JP | C | C | FC-279 | 11 | 12.5 | 13.593 | UNC 5/8"x11 | 0.248 | 8.13 | 45° | 4 |
| 326JP | C | C | FC-279 | 11 | 12.5 | 13.593 | UNC 5/8"x11 | 0.248 | 8.13 | 45° | 4 |
| 324/6JP | C | C | FC-279 | 11 | 12.5 | 13.593 | UNC 5/8"x11 | 0.248 | 8.13 | 45° | 4 |
| 364/5JP | C | C | FC-279 | 11 | 12.5 | 15.562 | UNC 5/8"x11 | 0.248 | 8.13 | 45° | 8 |
| 404/5JP | C | C | FC-279 | 11 | 12.5 | 15.562 | UNC 5/8"x11 | 0.248 | 8.13 | 45° | 8 |

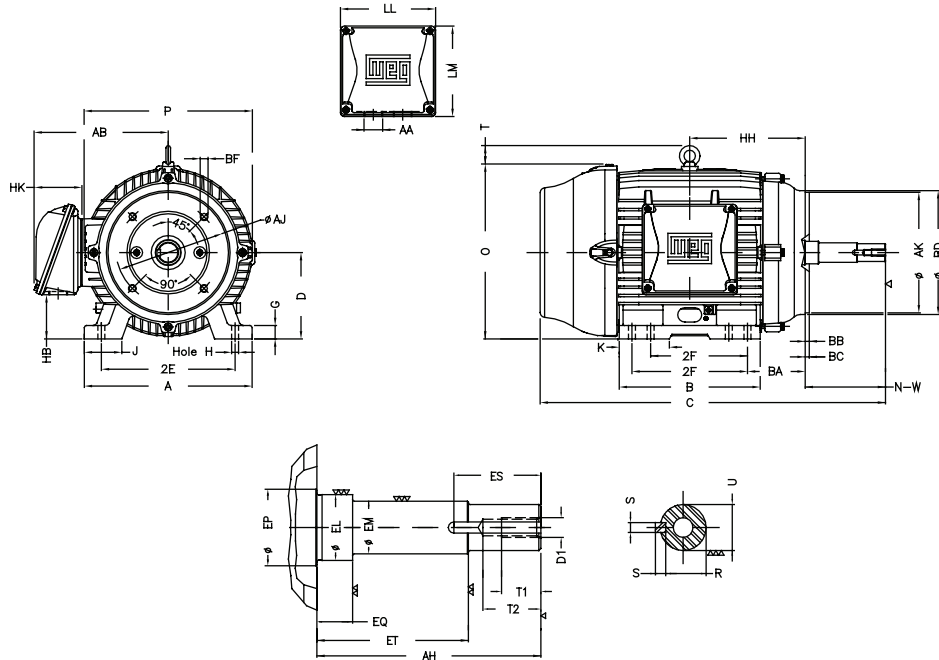
Frames 143JP to 213/5JP



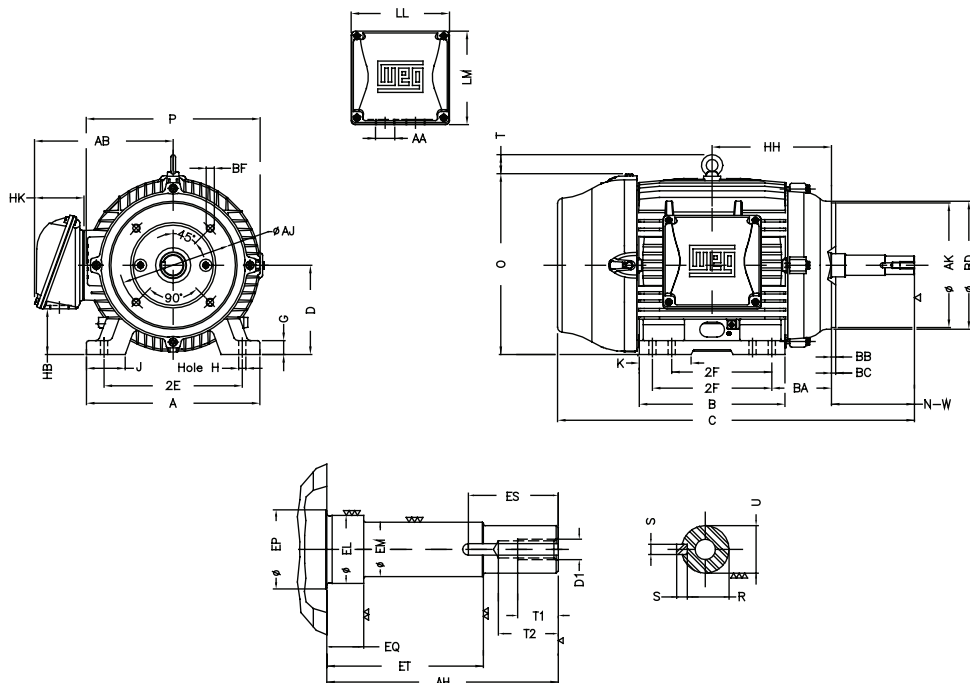
Drawings on next page

CCP - JP - Three Phase - TEFC - Cast Iron - *continued*

Frames 254JP to 326JP



Frames 364/5JP to 404/5JP



CCP - JM - Three Phase - ODP - Rolled Steel

| Frame | 2E | J | A | P | AB | AH | 2F | B | BA | CH | U | EL | EM | EP | EQ |
|---------|-----|-------|--------|--------|-------|-------|--------------|--------|------|-------|--------|-------|-------|-------|------|
| 143/5JM | 5.5 | 1.732 | 6.535 | 6.467 | 5.873 | 4.267 | 4.000/5.000 | 6.496 | 2.75 | 1.377 | 0.8745 | 1.156 | 1 | 1.179 | 0.63 |
| 182/4JM | 7.5 | 1.299 | 8.661 | 8.114 | 6.696 | 4.258 | 4.500/5.500 | 6.299 | 3.5 | 1.377 | 0.8745 | 1.25 | 1 | 1.376 | 0.63 |
| 213/5JM | 8.5 | 1.575 | 9.449 | 9.846 | 7.973 | 4.258 | 5.500/7.000 | 7.953 | 4.25 | 1.929 | 0.8745 | 1.25 | 1 | 1.769 | 0.63 |
| 254/6JM | 10 | 1.693 | 11.417 | 11.558 | 9.448 | 5.25 | 8.252/10.000 | 11.417 | 4.75 | 1.929 | 1.249 | 1.75 | 1.375 | 1.769 | 0.63 |

| Frame | ET | R | D | G | HB | O | HD | HK | Hole H | C | LL | LM | S | AA | DE | NDE |
|---------|-------|-------|------|-------|-------|--------|--------|-------|--------|---|-------|-------|-------|--------|-----------|-----------|
| 143/5JM | 2.88 | 0.771 | 3.5 | 0.12 | 1.784 | 6.724 | 6.728 | 2.629 | 0.343 | | 4.563 | 4.09 | 0.187 | 1.118" | 6206 ZZ | 6203 ZZ |
| 182/4JM | 2.88 | 0.771 | 4.5 | 0.167 | 2.784 | 8.557 | 8.557 | 2.629 | 0.406 | | 4.563 | 4.09 | 0.187 | 1.118" | 6207 ZZ | 6205 ZZ |
| 213/5JM | 2.88 | 0.771 | 5.25 | 0.167 | 2.982 | 10.144 | 10.173 | 3.022 | 0.406 | | 5.551 | 5.25 | 0.187 | 1.377" | 6209 ZZ | 6206 ZZ |
| 254/6JM | 3.006 | 1.11 | 6.25 | 0.187 | 3.631 | 12.01 | 12.029 | 3.645 | 0.53 | | 6.299 | 6.017 | 0.25 | 1.732" | 6309 Z-C3 | 6208 Z-C3 |

| Frame | Type | Flange | Size | AJ | AK | BD | S | T | AH | Angle | BF Number |
|---------|------|--------|--------|-------|-----|--------|-------------|-------|-------|-------|-----------|
| 143/5JM | C | C | FC-149 | 5.874 | 4.5 | 6.45 | UNC 3/8"x16 | 0.157 | 4.267 | 45° | 4 |
| 182/4JM | C | C | FC-149 | 5.874 | 4.5 | 6.496 | UNC 3/8"x16 | 0.138 | 4.258 | 45° | 4 |
| 213/5JM | C | C | FC-184 | 7.25 | 8.5 | 9.401 | UNC 1/2"x13 | 0.25 | 4.258 | 45° | 4 |
| 254/6JM | C | C | FC-184 | 7.25 | 8.5 | 11.084 | UNC 1/2"x13 | 0.25 | 5.25 | 45° | 4 |

CCP - JP - Three Phase - ODP - Rolled Steel

| Frame | 2E | J | A | P | AB | AH | 2F | B | BA | CH | U | EL | EM | EP | EQ |
|---------|-----|-------|--------|--------|-------|-------|--------------|--------|------|-------|-------|-------|-------|-------|-------|
| 143/5JP | 5.5 | 1.732 | 6.535 | 6.467 | 5.873 | 7.319 | 4.000/5.000 | 6.496 | 2.75 | 1.377 | 0.875 | 1.156 | 1 | 1.179 | 1.563 |
| 182/4JP | 7.5 | 1.299 | 8.661 | 8.114 | 6.696 | 7.319 | 4.500/5.500 | 6.299 | 3.5 | 1.377 | 0.875 | 1.25 | 1 | 1.376 | 1.563 |
| 213/5JP | 8.5 | 1.575 | 9.449 | 9.846 | 7.973 | 8.13 | 5.500/7.000 | 7.953 | 4.25 | 1.929 | 1.25 | 1.75 | 1.375 | 1.769 | 2.374 |
| 254/6JP | 10 | 1.693 | 11.417 | 11.558 | 9.448 | 8.13 | 8.252/10.000 | 11.417 | 4.75 | 1.929 | 1.249 | 1.75 | 1.375 | 1.769 | 2.382 |

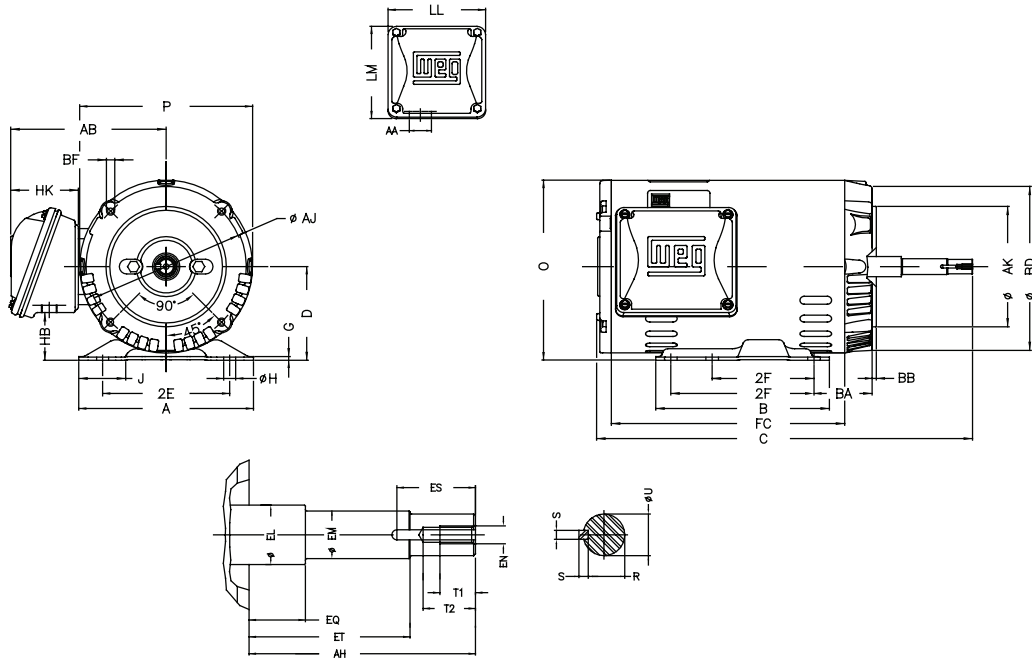
| Frame | Key Length | ET | R | D | G | HB | O | HD | HK | Hole H | C | LL | LM | S | AA | DE | NDE |
|---------|------------|-------|-------|------|-------|-------|--------|--------|-------|--------|---|-------|-------|-------|--------|-----------|-----------|
| 143/5JP | 1.654 | 5.941 | 0.771 | 3.5 | 0.12 | 1.784 | 6.724 | 6.728 | 2.629 | 0.343 | - | 4.563 | 4.09 | 0.187 | 1.118" | 6206 ZZ | 6203 ZZ |
| 182/4JP | 1.654 | 5.941 | 0.771 | 4.5 | 0.167 | 2.784 | 8.557 | 8.557 | 2.629 | 0.406 | - | 4.563 | 4.09 | 0.187 | 1.118" | 6207 ZZ | 6205 ZZ |
| 213/5JP | 2.56 | 5.886 | 1.11 | 5.25 | 0.167 | 2.982 | 10.144 | 10.173 | 3.022 | 0.406 | - | 5.551 | 5.25 | 0.25 | 1.377" | 6209 ZZ | 6206 ZZ |
| 254/6JP | 2.559 | 5.886 | 1.11 | 6.25 | 0.187 | 3.631 | 12.01 | 12.029 | 3.645 | 0.53 | | 6.299 | 6.017 | 0.25 | 1.732" | 6309 Z-C3 | 6208 Z-C3 |

| Frame | Type | Flange | Size | AJ | AK | BD | S | T | AH | Angle | BF Number |
|---------|------|--------|--------|-------|-----|--------|-------------|-------|-------|-------|-----------|
| 143/5JP | C | C | FC-149 | 5.874 | 4.5 | 6.45 | UNC 3/8"x16 | 0.157 | 7.319 | 45° | 4 |
| 182/4JP | C | C | FC-149 | 5.874 | 4.5 | 6.496 | UNC 3/8"x16 | 0.138 | 7.319 | 45° | 4 |
| 213/5JP | C | C | FC-184 | 7.25 | 8.5 | 9.401 | UNC 1/2"x13 | 0.25 | 8.13 | 45° | 4 |
| 254/6JP | C | C | FC-184 | 7.25 | 8.5 | 11.084 | UNC 1/2"x13 | 0.25 | 8.13 | 45° | 4 |

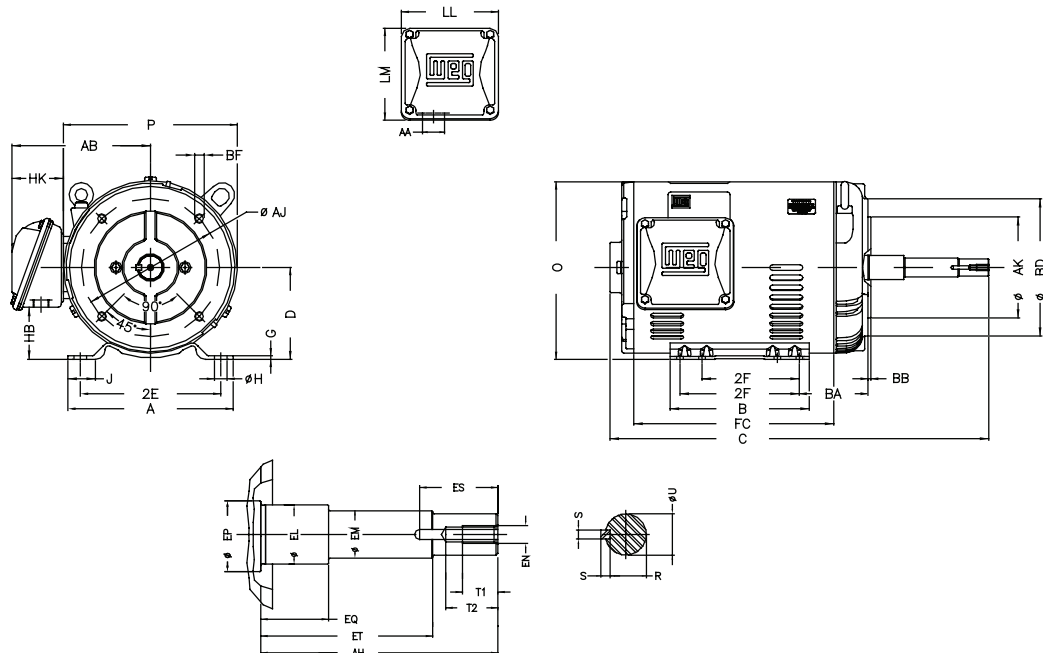
Drawings on next page

CCP - JM and JP - Three Phase - ODP - Rolled Steel - *continued*

Frame 143

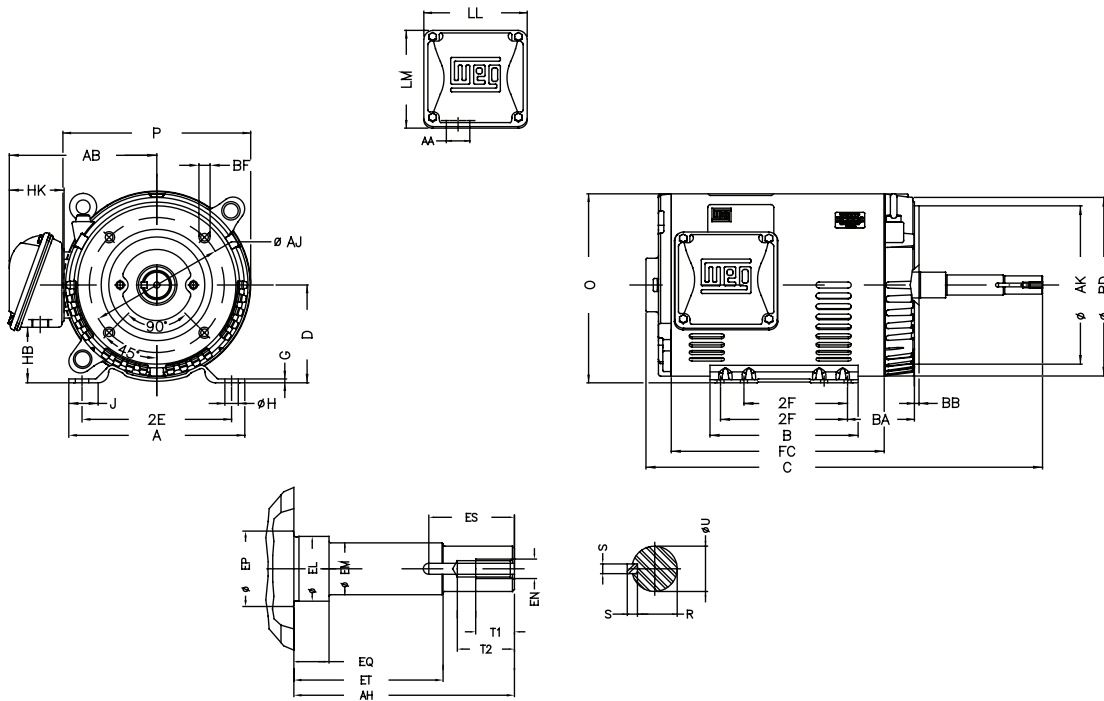


Frame 182



CCP - JM and JP - Three Phase - ODP - Rolled Steel - *continued*

Frame 213 to 256





CCP - JM and JP - Three Phase - ODP - Cast Iron

| NEMA FRAMES | MOUNTING | | | | A | B | D | G | J | K | O | P | P WITH PROTECTION SCREEN | P WITH DRIP COVER |
|-------------|----------|--------|-------|-------|--------|--------|--------|-------|--------|--------|--------|--------|--------------------------|-------------------|
| | 2E | 2F | H | BA | | | | | | | | | | |
| 254 JM/JP | 10.000 | 8.250 | 0.530 | 4.980 | 11.496 | 9.507 | 6.250 | 0.630 | 1.526 | 3.012 | 12.337 | 12.598 | 12.824 | 14.913 |
| 254/6 JM/JP | | 8.250 | | | | 11.200 | | | 1.485 | 3.563 | | | | |
| | | 10.000 | | | | | | | | | | | | |
| 284 JM/JP | 11.000 | 9.500 | 0.530 | 5.000 | 13.780 | 11.032 | 7.000 | 0.787 | 2.496 | 3.434 | 13.782 | 14.134 | 14.360 | 16.213 |
| 284/6 JM/JP | | 9.500 | | | | 12.529 | | | 3.847 | | | | | |
| | | 11.000 | | | | | | | | | | | | |
| 324 JM/JP | 12.500 | 10.500 | 0.660 | 5.500 | 15.157 | 12.176 | 8.000 | 0.974 | 2.802 | 3.867 | 15.492 | 15.669 | 15.895 | 17.669 |
| 324/6 JM/JP | | 10.500 | | | | 13.554 | | | 4.359 | 15.895 | | | | |
| | | 12.000 | | | | | | | | | | | | |
| 364/5 JM/JP | 14.000 | 11.250 | 0.810 | 6.625 | 19.921 | 17.866 | 10.000 | 1.181 | 3.524 | 4.845 | 18.409 | 18.406 | 18.632 | 19.804 |
| 404/5 JP | | 12.250 | | | | | | | 17.866 | 5.654 | | | | |
| | 16.000 | 13.750 | | | | | | | | | | | | |

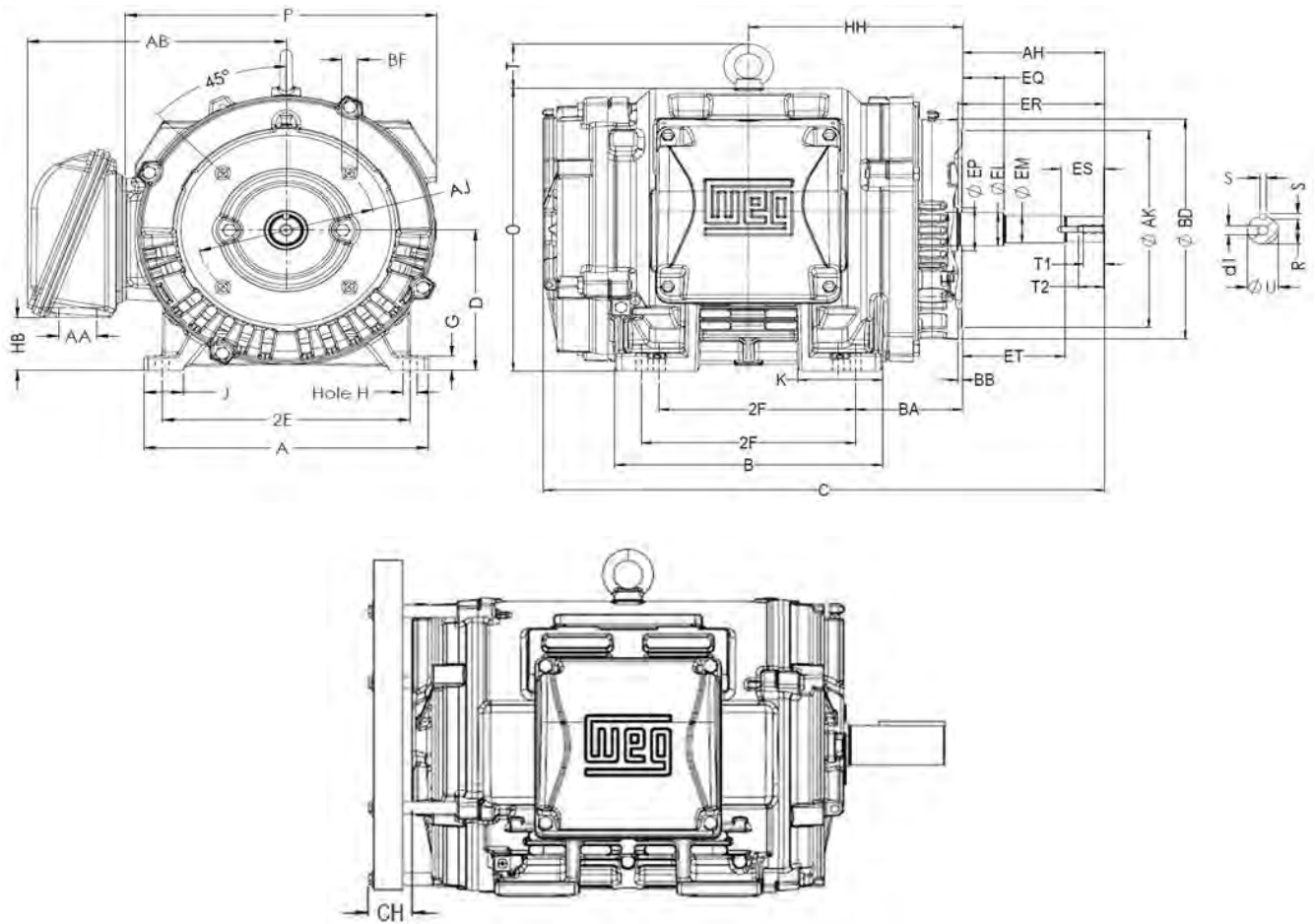
| NEMA FRAMES | T | AB | HB | HH | CH | AA | BEARINGS | | NEMA "C" FLANGE | | | | | | |
|-------------|-------|--------|-------|--------|-------|-----------|-----------|-----------|-----------------|--------|-------|--------|-------|------------|------------|
| | | | | | | | D.E. | O.D.E. | AJ | AK | BB | BD | BF | | |
| | | | | | | | | | | | | | Qty. | Tap Size | Bolt Depth |
| 254 JM/JP | 2.023 | 10.462 | 2.360 | 9.106 | 1.831 | NPT1.1/2" | 6309-Z-C3 | 6209-Z-C3 | 7.252 | 8.500 | 0.250 | 14.023 | 4.000 | UNC1/2"x13 | 0.787 |
| 254/6 JM/JP | | | | 9.980 | | | | | | | | | | | |
| 284 JM/JP | 1.939 | 11.933 | 2.670 | 9.750 | 1.870 | NPT2" | 6311-Z-C3 | 6211-Z-C3 | 11.000 | 12.500 | 0.250 | 14.023 | 4.000 | UNC5/8"x11 | 0.945 |
| 284/6 JM/JP | | | | 10.500 | | | | | | | | | | | |
| 324 JM/JP | 2.252 | 13.394 | 3.658 | 10.750 | 1.870 | NPT2" | 6312-Z-C3 | 6212-Z-C3 | 11.000 | 12.500 | 0.250 | 14.023 | 4.000 | UNC5/8"x11 | 0.945 |
| 324/6 JM/JP | 2.265 | | | 11.500 | | | | | | | | | | | |
| 364/5 JM/JP | 2.795 | 15.583 | 4.256 | 12.000 | 2.461 | NPT3" | 6314-C3 | 6212-Z-C3 | 11.000 | 12.500 | 0.250 | 14.095 | 8.000 | UNC5/8"x11 | 0.945 |
| 404/5 JP | | | 5.256 | 13.500 | 2.382 | | 6316-C3 | | | | | | | | |

| NEMA FRAMES | SHAFT END - TYPE JM | | | | | | | | | | | | | | C |
|-------------|---------------------|-------|-------|-------|-----------|-------|-------|--------|--------|-------|-------|---------------|-------|-------|--------|
| | LENGTHS | | | | DIAMETERS | | | | KEYWAY | | | THREADED HOLE | | | |
| | AH | ER | EQ | ET | U | EM | EL | EP | S | R | ES | d1 (UNC) | T1 | T2 | |
| 254 JM | 5.250 | 5.250 | 0.630 | 3.002 | 1.250 | 1.375 | 1.750 | 1.764 | 0.250 | 1.110 | 2.480 | 1/2"x13-2B | 1.100 | 1.500 | 22.517 |
| 254/6 JM | | | | | | | | 24.264 | | | | | | | |
| 284 JM | | | | | | | | 24.033 | | | | | | | |
| 284/6 JM | | | | | | | | 25.533 | | | | | | | |
| 324 JM | | | | | | | | 26.057 | | | | | | | |
| 324/6 JM | | | | | | | | 27.557 | | | | | | | |
| 364/5 JM | | | | | | | | 29.270 | | | | | | | |

| NEMA FRAMES | SHAFT END - TYPE JP | | | | | | | | | | | | | | C |
|-------------|---------------------|-------|-------|-------|-----------|-------|-------|--------|--------|-------|-------|---------------|-------|-------|--------|
| | LENGTHS | | | | DIAMETERS | | | | KEYWAY | | | THREADED HOLE | | | |
| | AH | ER | EQ | ET | U | EM | EL | EP | S | R | ES | d1 (UNC) | T1 | T2 | |
| 254 JP | 8.130 | 8.380 | 2.382 | 5.886 | 1.250 | 1.375 | 1.750 | 1.764 | 0.250 | 1.110 | 2.480 | 1/2"x13-2B | 1.100 | 1.500 | 25.398 |
| 254/6 JP | | | | | | | | 27.146 | | | | | | | |
| 284 JP | | | | | | | | 26.913 | | | | | | | |
| 284/6 JP | | | | | | | | 28.413 | | | | | | | |
| 324 JP | | | | | | | | 28.937 | | | | | | | |
| 324/6 JP | | | | | | | | 30.437 | | | | | | | |
| 364/5 JP | | | | | | | | 32.150 | | | | | | | |
| 404/5 JP | | | | | | | | 35.152 | | | | | | | |

Mechanical Data

CCP - JM and JP - Three Phase - ODP - Cast Iron



IEC Metric Motors - Cast Iron Frames

| Frame | A | AA | AB | AC | AD | B | BB | C | CA | D | D1 | D2 | DA | E | EA | ES | F |
|--------|-----|------|-----|-----|-----|---------|-------|-----|---------|-------|------|------|------|-----|-----|-----|----|
| 63 | 100 | 25.5 | 116 | 125 | 123 | 80 | 95 | 40 | 78 | 11j6 | EM4 | EM3 | 9j6 | 23 | 20 | 14 | 4 |
| 71 | 112 | 28.5 | 132 | 141 | 131 | 90 | 113.5 | 45 | 88 | 14j6 | DM5 | EM4 | 11j6 | 30 | 23 | 18 | 5 |
| 80 | 125 | 30.5 | 149 | 159 | 140 | 100 | 125.5 | 50 | 93 | 19j6 | DM6 | DM4 | 14j6 | 40 | 30 | 28 | 6 |
| 90S | 140 | 37 | 164 | 184 | 159 | 100 | 131 | 56 | 135 | 24j6 | DM8 | DM6 | 16j6 | 50 | 40 | 36 | 8 |
| 90L | 140 | 37 | 164 | 184 | 159 | 125 | 156 | 56 | 135 | 24j6 | DM8 | DM6 | 16j6 | 50 | 40 | 36 | 8 |
| L90S | 140 | 37 | 164 | 184 | 159 | 100 | 131 | 56 | 135 | 24j6 | DM8 | DM6 | 16j6 | 50 | 40 | 36 | 8 |
| L90L | 140 | 37 | 164 | 184 | 159 | 125 | 156 | 56 | 135 | 24j6 | DM8 | DM6 | 16j6 | 50 | 40 | 36 | 8 |
| 100L | 160 | 40 | 188 | 206 | 169 | 140 | 173 | 63 | 118 | 28j6 | DM10 | DM8 | 22j6 | 60 | 50 | 45 | 8 |
| L100L | 160 | 40 | 188 | 206 | 169 | 140 | 173 | 63 | 162 | 28j6 | DM10 | DM8 | 22j6 | 60 | 50 | 45 | 8 |
| 112M | 190 | 40.5 | 220 | 215 | 192 | 140 | 177 | 70 | 128 | 28j6 | DM10 | DM8 | 24j6 | 60 | 50 | 45 | 8 |
| L112M | 190 | 40.5 | 220 | 215 | 192 | 140 | 177 | 70 | 158 | 28j6 | DM10 | DM8 | 24j6 | 60 | 50 | 45 | 8 |
| 132S | 216 | 45.5 | 248 | 274 | 220 | 140 | 187 | 89 | 150 | 38k6 | DM12 | DM10 | 28j6 | 80 | 60 | 63 | 10 |
| 132M | 216 | 45.5 | 248 | 274 | 220 | 178 | 225 | 89 | 150 | 38k6 | DM12 | DM10 | 28j6 | 80 | 60 | 63 | 10 |
| 132M/L | 216 | 45.5 | 248 | 274 | 220 | 178/203 | 250 | 89 | 150 | 38k6 | DM12 | DM10 | 28j6 | 80 | 60 | 63 | 10 |
| 160M | 254 | 64 | 308 | 329 | 266 | 210 | 254 | 108 | 174 | 42k6 | DM16 | DM16 | 42k6 | 110 | 110 | 80 | 12 |
| 160L | 254 | 64 | 308 | 329 | 266 | 254 | 298 | 108 | 174 | 42k6 | DM16 | DM16 | 42k6 | 110 | 110 | 80 | 12 |
| 180M | 279 | 78 | 350 | 360 | 281 | 241 | 294 | 121 | 200 | 48k6 | DM16 | DM16 | 48k6 | 110 | 110 | 80 | 14 |
| 180L | 279 | 78 | 350 | 360 | 281 | 279 | 332 | 121 | 200 | 48k6 | DM16 | DM16 | 48k6 | 110 | 110 | 80 | 14 |
| 200L | 318 | 82 | 385 | 402 | 319 | 305 | 370 | 133 | 222 | 55m6 | DM20 | DM20 | 48k6 | 110 | 110 | 80 | 16 |
| 225S/M | 356 | 80 | 436 | 455 | 410 | 286/311 | 412 | 149 | 319/294 | 60m6 | DM20 | DM20 | 60m6 | 140 | 140 | 125 | 18 |
| 250S/M | 406 | 100 | 506 | 486 | 410 | 311/349 | 467 | 168 | 354/316 | 65m6 | DM20 | DM20 | 60m6 | 140 | 140 | 125 | 18 |
| 280S/M | 457 | 100 | 557 | 599 | 445 | 368/419 | 517 | 190 | 385/334 | 75m6 | DM20 | DM20 | 65m6 | 140 | 140 | 125 | 20 |
| 315S/M | 508 | 120 | 630 | 657 | 525 | 406/457 | 621 | 216 | 443 | 80m6 | DM20 | DM20 | 65m6 | 170 | 140 | 160 | 22 |
| 315L | 508 | 120 | 630 | 657 | 589 | 508 | 752 | 216 | 502 | 80m6 | DM20 | DM20 | 65m6 | 170 | 140 | 160 | 22 |
| 355M/L | 610 | 140 | 750 | 736 | 609 | 560/630 | 760 | 254 | 483/413 | 100m6 | DM24 | DM20 | 80m6 | 210 | 170 | 200 | 28 |

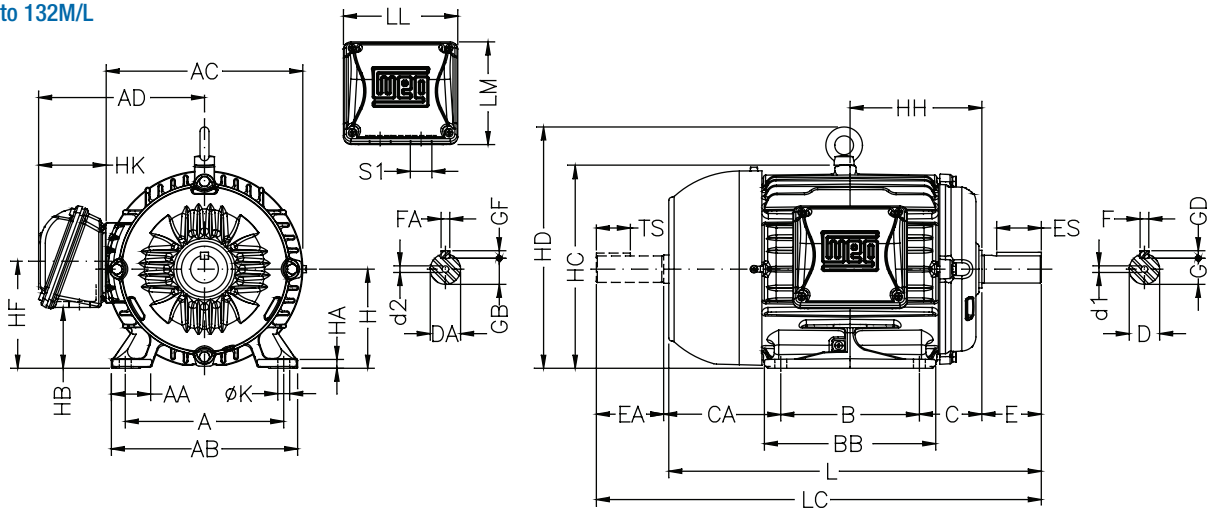
| Frame | FA | G | GB | GD | GF | H | HA | HB | HC | HD | HF | HH | HK | K | L | LC | LL | LM | S1 | DE | NDE |
|--------|----|------|------|----|----|-----|----|------|-----|-------|-------|-------|-------|------|------|------|-------|-----|-----------|---------|---------|
| 63 | 3 | 8.5 | 7.2 | 4 | 3 | 63 | 7 | 25.5 | 130 | 156.3 | 68.5 | 80 | 59 | 7 | 216 | 241 | 108.5 | 99 | 2xM20x1,5 | 6201 ZZ | 6201 ZZ |
| 71 | 4 | 11 | 8.5 | 5 | 4 | 71 | 7 | 33 | 145 | 163.8 | 76 | 90 | 59 | 7 | 250 | 276 | 108.5 | 99 | 2xM20x1,5 | 6202 ZZ | 6202 ZZ |
| 80 | 5 | 15.5 | 11 | 6 | 5 | 80 | 8 | 43.5 | 163 | 174.3 | 87 | 100 | 59 | 10 | 277 | 313 | 108.5 | 99 | 2xM20x1,5 | 6204 ZZ | 6203 ZZ |
| 90S | 5 | 20 | 13 | 7 | 5 | 90 | 9 | 45 | 182 | 182.4 | 90 | 106 | 67 | 10 | 305 | 350 | 115 | 104 | 2xM25x1,5 | 6205 ZZ | 6204 ZZ |
| 90L | 5 | 20 | 13 | 7 | 5 | 90 | 9 | 45 | 182 | 182.4 | 90 | 118.5 | 67 | 10 | 329 | 375 | 115 | 104 | 2xM25x1,5 | 6205 ZZ | 6204 ZZ |
| L90S | 5 | 20 | 13 | 7 | 5 | 90 | 9 | 45 | 182 | 182.4 | 90 | 106 | 67 | 10 | | | 115 | 104 | 2xM25x1,5 | 6205 ZZ | 6204 ZZ |
| L90L | 5 | 20 | 13 | 7 | 5 | 90 | 9 | 45 | 182 | 182.4 | 90 | 118.5 | 67 | 10 | | | 115 | 104 | 2xM25x1,5 | 6205 ZZ | 6204 ZZ |
| 100L | 6 | 24 | 18.5 | 7 | 6 | 100 | 10 | 61.5 | 205 | 244 | 106.4 | 133 | 67 | 12 | 376 | 431 | 115 | 104 | | 6206 ZZ | 6205 ZZ |
| L100L | 6 | 24 | 18.5 | 7 | 6 | 100 | 10 | 61.5 | 205 | 244 | 106.4 | 133 | 67 | 12 | | | 115 | 104 | | 6206 ZZ | 6205 ZZ |
| 112M | 8 | 24 | 20 | 7 | 7 | 112 | 10 | 54.5 | 226 | 280 | 112 | 140 | 80 | 12 | 394 | 448 | 140 | 133 | 2xM32x1,5 | 6207 ZZ | 6206 ZZ |
| L112M | 8 | 24 | 20 | 7 | 7 | 112 | 10 | 54.5 | 226 | 280 | 112 | 140 | 80 | 12 | | | 140 | 133 | 2xM32x1,5 | 6207 ZZ | 6206 ZZ |
| 132S | 8 | 33 | 24 | 8 | 7 | 132 | 16 | 75 | 274 | 319 | 132 | 159 | 80 | 12 | 452 | 519 | 140 | 133 | 2xM32x1,5 | 6308 ZZ | 6207 ZZ |
| 132M | 8 | 33 | 24 | 8 | 7 | 132 | 16 | 75 | 274 | 319 | 132 | 178 | 80 | 12 | 489 | 557 | 140 | 133 | 2xM32x1,5 | 6308 ZZ | 6207 ZZ |
| 132M/L | 8 | 33 | 24 | 8 | 7 | 132 | 16 | 75 | 274 | 319 | 132 | 190.5 | 80 | 12 | 515 | 582 | 140 | 133 | 2xM32x1,5 | 6308 ZZ | 6207 ZZ |
| 160M | 12 | 37 | 37 | 8 | 8 | 160 | 22 | 79 | 331 | 374 | 168 | 213 | 101 | 14.5 | 598 | 712 | 198.5 | 190 | 2xM40x1,5 | 6309 C3 | 6209 C3 |
| 160L | 12 | 37 | 37 | 8 | 8 | 160 | 22 | 79 | 331 | 374 | 168 | 235 | 101 | 14.5 | 642 | 756 | 198.5 | 190 | 2xM40x1,5 | 6309 C3 | 6209 C3 |
| 180M | 14 | 42.5 | 42.5 | 9 | 9 | 180 | 28 | 92 | 366 | 413 | 180 | 241.5 | 101 | 14.5 | 664 | 782 | 198.5 | 190 | 2xM40x1,5 | 6311 C3 | 6211 C3 |
| 180L | 14 | 42.5 | 42.5 | 9 | 9 | 180 | 28 | 92 | 366 | 413 | 180 | 260.5 | 101 | 14.5 | 702 | 820 | 198.5 | 190 | 2xM40x1,5 | 6311 C3 | 6211 C3 |
| 200L | 14 | 49 | 42.5 | 10 | 9 | 200 | 30 | 119 | 407 | 464 | 218 | 285.5 | 119.5 | 18.5 | 767 | 880 | 230 | 220 | 2xM50x1,5 | 6312 C3 | 6212 C3 |
| 225S/M | 18 | 53 | 53 | 11 | 11 | 225 | 34 | 254 | 453 | 541 | 421 | 212 | 153 | 18.5 | 886 | 1034 | 269 | 285 | 2xM50x1,5 | 6314 C3 | 6314 C3 |
| 250S/M | 18 | 58 | 53 | 11 | 11 | 250 | 43 | 297 | 493 | 583 | 463 | 214 | 153 | 24 | 965 | 1113 | 269 | 285 | 2xM63x1,5 | 6314 C3 | 6314 C3 |
| 280S/M | 18 | 67.5 | 58 | 12 | 11 | 280 | 42 | 386 | 580 | 700 | 572 | 266 | 151 | 24 | 1071 | 1223 | 314 | 312 | 2xM63x1,5 | 6316 C3 | 6316 C3 |
| 315S/M | 18 | 71 | 58 | 14 | 11 | 315 | 48 | 386 | 644 | 768 | 592 | 264 | 176 | 28 | 1274 | 1426 | 379 | 382 | 2xM63x1,5 | 6319 C3 | 6316 C3 |
| 315L | 18 | 71 | 58 | 14 | 11 | 315 | 48 | 336 | 644 | 774 | 575 | 284 | 220 | 28 | 1389 | 1536 | 404 | 436 | 2xM63x1,5 | 6319 C3 | 6316 C3 |
| 355M/L | 22 | 90 | 71 | 16 | 14 | 355 | 50 | 461 | 723 | 898 | 700 | 339 | 220 | 28 | 1482 | 1677 | 404 | 436 | 2xM63x1,5 | 6322 C3 | 6319 C3 |

Dimensions measured in millimeters.

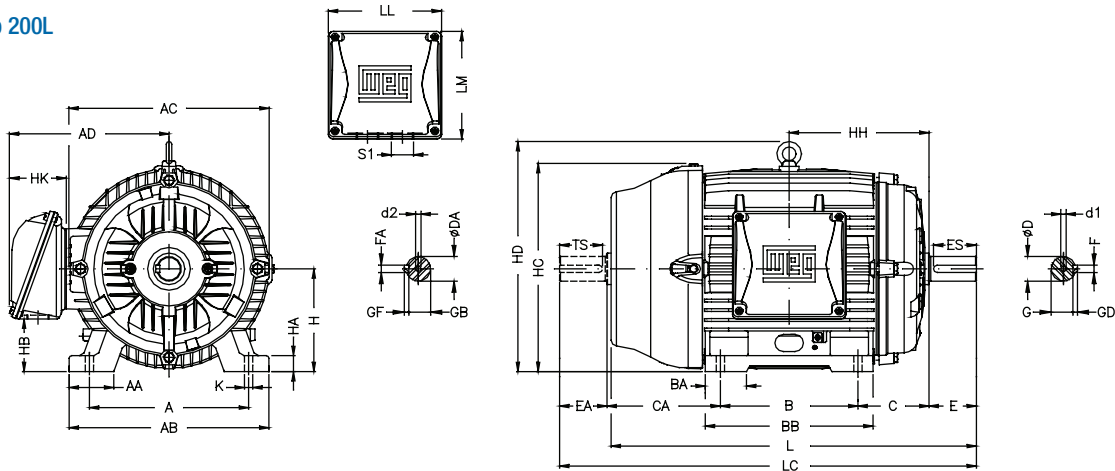
Drawings on next page

IEC Metric Motors - Cast Iron Frames - *continued*

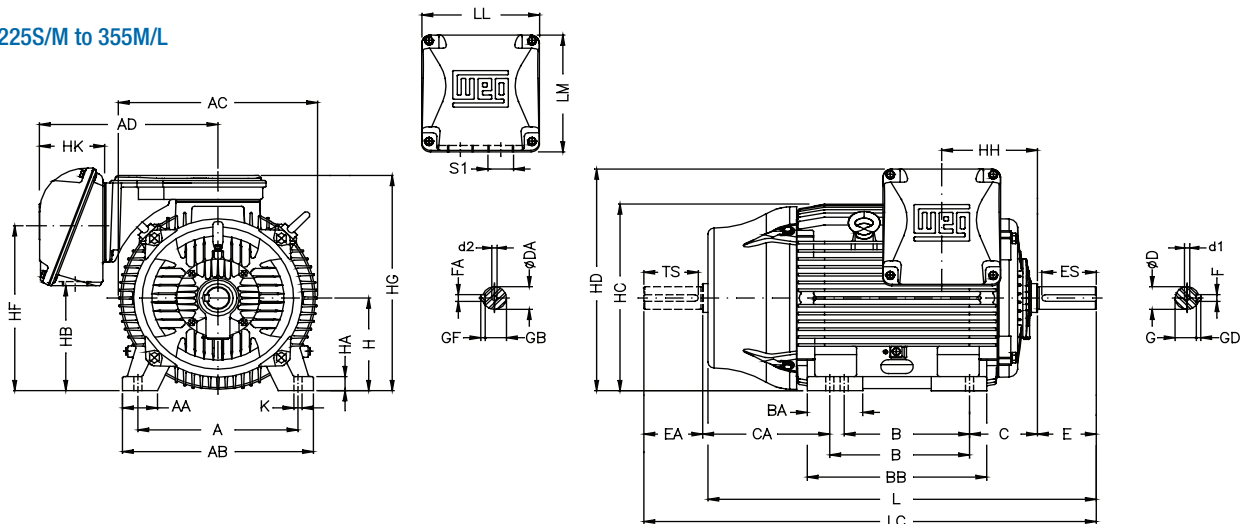
Frames 63 to 132M/L



Frames 160L to 200L



Frames 225S/M to 355M/L

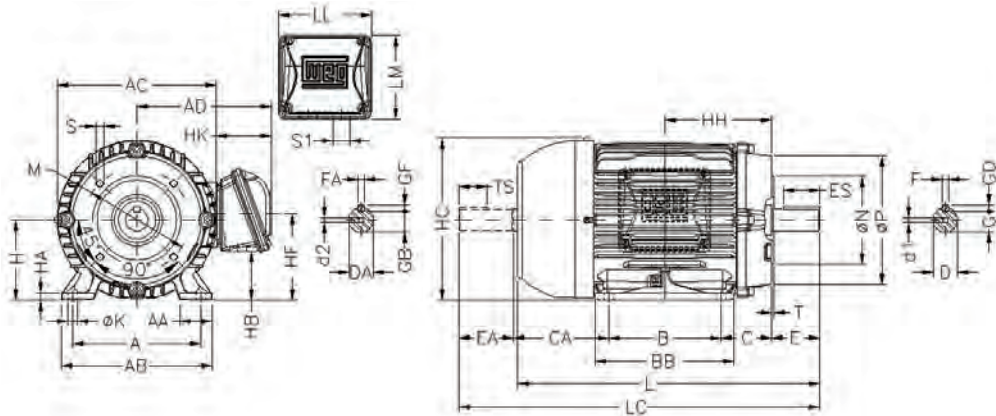


IEC Metric Motors - Cast Iron Frames - Additional Flange Detail

| Frame | Type | Flange | Size | LA | M | N | P | S | T | Angle | Holes |
|--------|------|--------|--------|------|-------|-------|-----|-------------|-----|--------|-------|
| 63 | C | FC | FC-95 | 4.5 | 95.2 | 76.2 | 143 | UNC 1/4"x20 | 4 | 45° | 4 |
| 63 | C | C-90 | C-90 | 9.5 | 75 | 60 | 90 | M5 | 2.5 | 45° | 4 |
| 71 | C | FC | FC-95 | 10 | 95.2 | 76.2 | 143 | UNC 1/4"x20 | 4 | 45° | 4 |
| 71 | C | C-105 | C-105 | 8 | 85 | 70 | 105 | M6 | 2.5 | 45° | 4 |
| 80 | C | FC | FC-95 | 10 | 95.2 | 76.2 | 143 | UNC 1/4"x20 | 4 | 45° | 4 |
| 80 | C | C-120 | C-120 | 10.5 | 100 | 80 | 120 | M6 | 3 | 45° | 4 |
| 90S | C | FC | FC-149 | 15 | 149.2 | 114.3 | 165 | UNC 3/8"x16 | 4 | 45° | 4 |
| 90S | C | C-140 | C-140 | 10.5 | 115 | 95 | 140 | M8 | 3 | 45° | 4 |
| 90L | C | FC | FC-149 | 15 | 149.2 | 114.3 | 165 | UNC 3/8"x16 | 4 | 45° | 4 |
| 90L | C | C-140 | C-140 | 10.5 | 115 | 95 | 140 | M8 | 3 | 45° | 4 |
| 100L | C | FC | FC-149 | 12 | 149.2 | 114.3 | 165 | UNC 3/8"x16 | 4 | 45° | 4 |
| 100L | C | C-160 | C-160 | 12 | 130 | 110 | 160 | M8 | 3.5 | 45° | 4 |
| 112M | C | FC | FC-184 | 13.5 | 184.2 | 215.9 | 225 | UNC 1/2"x13 | 6.3 | 45° | 4 |
| 112M | C | C-160 | C-160 | 13.5 | 130 | 110 | 160 | M8 | 3.5 | 45° | 4 |
| L90S | C | FC | FC-149 | 15 | 149.2 | 114.3 | 165 | UNC 3/8"x16 | 4 | 45° | 4 |
| L90S | C | C-140 | C-140 | 10.5 | 115 | 95 | 140 | M8 | 3 | 45° | 4 |
| L100L | C | FC | FC-149 | 12 | 149.2 | 114.3 | 165 | UNC 3/8"x16 | 4 | 45° | 4 |
| L100L | C | C-160 | C-160 | 12 | 130 | 110 | 160 | M8 | 3.5 | 45° | 4 |
| L90L | C | FC | FC-149 | 15 | 149.2 | 114.3 | 165 | UNC 3/8"x16 | 4 | 45° | 4 |
| L90L | C | C-140 | C-140 | 10.5 | 115 | 95 | 140 | M8 | 3 | 45° | 4 |
| 132S | C | FC | FC-184 | 9 | 184.2 | 215.9 | 225 | UNC 1/2"x13 | 6.3 | 45° | 4 |
| 132S | C | C-200 | C-200 | 15.5 | 165 | 130 | 200 | M10 | 3.5 | 45° | 4 |
| 132M | C | FC | FC-184 | 9 | 184.2 | 215.9 | 225 | UNC 1/2"x13 | 6.3 | 45° | 4 |
| 132M | C | C-200 | C-200 | 15.5 | 165 | 130 | 200 | M10 | 3.5 | 45° | 4 |
| L112M | C | FC | FC-184 | 13.5 | 184.2 | 215.9 | 225 | UNC 1/2"x13 | 6.3 | 45° | 4 |
| L112M | C | C-160 | C-160 | 13.5 | 130 | 110 | 160 | M8 | 3.5 | 45° | 4 |
| 160M | C | FC | FC-184 | | 184.2 | 215.9 | 225 | UNC 1/2"x13 | 6.3 | 45° | 4 |
| 160M | C | C-250 | C-250 | 19 | 215 | 180 | 249 | M12x1,75 | 6.3 | 45° | 4 |
| 132M/L | C | FC | FC-184 | 9 | 184.2 | 215.9 | 225 | UNC 1/2"x13 | 6.3 | 45° | 4 |
| 132M/L | C | C-200 | C-200 | 15.5 | 165 | 130 | 200 | M10 | 3.5 | 45° | 4 |
| 160L | C | FC | FC-184 | | 184.2 | 215.9 | 225 | UNC 1/2"x13 | 6.3 | 45° | 4 |
| 160L | C | C-250 | C-250 | 19 | 215 | 180 | 249 | M12x1,75 | 6.3 | 45° | 4 |
| 180M | C | FC | FC-228 | 13.5 | 228.6 | 266.7 | 280 | UNC 1/2"x13 | 6.3 | 45° | 4 |
| 180L | C | FC | FC-228 | 13.5 | 228.6 | 266.7 | 280 | UNC 1/2"x13 | 6.3 | 45° | 4 |
| 200L | C | FC | FC-228 | 13.5 | 228.6 | 266.7 | 280 | UNC 1/2"x13 | 6.3 | 45° | 4 |
| 225S/M | C | FC | FC-279 | 18.5 | 279.4 | 317.5 | 395 | UNC 5/8"x11 | 6.3 | 22°30' | 8 |
| 250S/M | C | FC | FC-355 | 18.5 | 355.6 | 406.4 | 455 | UNC 5/8"x11 | 6.3 | 22°30' | 8 |
| 280S/M | C | FC | FC-355 | 18.5 | 355.6 | 406.4 | 455 | UNC 5/8"x11 | 6.3 | 22°30' | 8 |
| 315S/M | C | FC | FC-368 | 18.5 | 368.3 | 419.1 | 455 | UNC 5/8"x11 | 6.3 | 22°30' | 8 |
| 315L | C | FC | FC-368 | 18.5 | 368.3 | 419.1 | 455 | UNC 5/8"x11 | 6.3 | 22°30' | 8 |
| 355M/L | C | FC | FC-368 | 33.5 | 368.3 | 419.1 | 455 | UNC 5/8"x11 | 6.3 | 22°30' | 8 |

Dimensions in mm

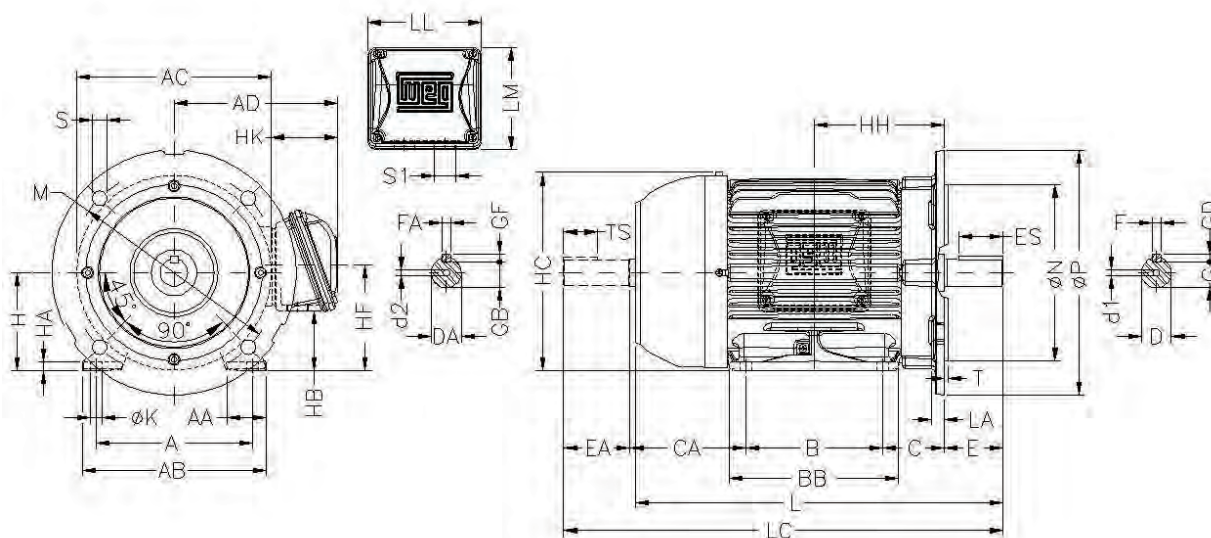
FC & C-DIN Flanges



IEC Metric Motors - Cast Iron Frames - Additional Flange Detail

| Frame | Type | Flange | Size | LA | M | N | P | S | T | Angle | Holes |
|--------|------|--------|--------|------|-----|-----|-----|----|-----|--------|-------|
| 63 | F | FF | FF-115 | 5.5 | 115 | 95 | 140 | 10 | 3 | 45° | 4 |
| 71 | F | FF | FF-130 | 7 | 130 | 110 | 160 | 10 | 3.5 | 45° | 4 |
| 80 | F | FF | FF-165 | 9 | 165 | 130 | 200 | 12 | 3.5 | 45° | 4 |
| 90S | F | FF | FF-165 | 10 | 165 | 130 | 200 | 12 | 3.5 | 45° | 4 |
| 90L | F | FF | FF-165 | 10 | 165 | 130 | 200 | 12 | 3.5 | 45° | 4 |
| 100L | F | FF | FF-215 | 12.5 | 215 | 180 | 250 | 15 | 4 | 45° | 4 |
| 112M | F | FF | FF-215 | 12.5 | 215 | 180 | 250 | 15 | 4 | 45° | 4 |
| L90S | F | FF | FF-165 | 10 | 165 | 130 | 200 | 12 | 3.5 | 45° | 4 |
| L100L | F | FF | FF-215 | 12.5 | 215 | 180 | 250 | 15 | 4 | 45° | 4 |
| L90L | F | FF | FF-165 | 10 | 165 | 130 | 200 | 12 | 3.5 | 45° | 4 |
| 132S | F | FF | FF-265 | 12 | 265 | 230 | 300 | 15 | 4 | 45° | 4 |
| 132M | F | FF | FF-265 | 12 | 265 | 230 | 300 | 15 | 4 | 45° | 4 |
| L112M | F | FF | FF-215 | 12.5 | 215 | 180 | 250 | 15 | 4 | 45° | 4 |
| 160M | F | FF | FF-300 | 18 | 300 | 250 | 350 | 19 | 5 | 45° | 4 |
| 132M/L | F | FF | FF-265 | 12 | 265 | 230 | 300 | 15 | 4 | 45° | 4 |
| 160L | F | FF | FF-300 | 18 | 300 | 250 | 350 | 19 | 5 | 45° | 4 |
| 180M | F | FF | FF-300 | 18 | 300 | 250 | 350 | 19 | 5 | 45° | 4 |
| 180L | F | FF | FF-300 | 18 | 300 | 250 | 350 | 19 | 5 | 45° | 4 |
| 200L | F | FF | FF-350 | 18 | 350 | 300 | 400 | 19 | 5 | 45° | 4 |
| 225S/M | F | FF | FF-400 | 18 | 400 | 350 | 450 | 19 | 5 | 22°30' | 8 |
| 250S/M | F | FF | FF-500 | 18 | 500 | 450 | 550 | 19 | 5 | 22°30' | 8 |
| 280S/M | F | FF | FF-500 | 18 | 500 | 450 | 550 | 19 | 5 | 22°30' | 8 |
| 315S/M | F | FF | FF-600 | 22 | 600 | 550 | 660 | 24 | 6 | 22°30" | 8 |
| 315L | F | FF | FF-600 | 22 | 600 | 550 | 660 | 24 | 6 | 22°30' | 8 |
| 355M/L | F | FF | FF-740 | 22 | 740 | 680 | 800 | 24 | 6 | 22°30' | 8 |

Dimensions in mm



| Part Number | Page(s) | Price |
|-------------|--------------|---------|
| 1311017110 | A-125; A-249 | \$1,683 |
| 1311017111 | A-125; A-249 | \$1,706 |
| 1311017113 | A-129; A-131 | \$2,005 |
| 1311017114 | A-129; A-131 | \$1,981 |
| 1311017115 | A-129; A-131 | \$1,619 |
| 1311017117 | A-129; A-131 | \$1,663 |
| 1311017118 | A-129; A-131 | \$1,688 |
| 1311017119 | A-130; A-132 | \$1,962 |
| 1311017120 | A-130; A-132 | \$1,985 |
| 1311017121 | A-129; A-131 | \$1,544 |
| 1311017122 | A-130; A-132 | \$1,526 |
| 1311017123 | A-130; A-132 | \$1,601 |
| 1311017124 | A-129; A-131 | \$1,642 |
| 1311017125 | A-130; A-132 | \$1,626 |
| 1311017130 | A-129; A-131 | \$1,886 |
| 1311017133 | A-129; A-131 | \$1,694 |
| 1311017138 | A-129; A-131 | \$1,875 |
| 1311017152 | A-130; A-132 | \$1,879 |
| 1311017154 | A-135 | \$728 |
| 1311017155 | A-135 | \$683 |
| 1311017156 | A-138 | \$668 |
| 1311017157 | A-138 | \$672 |
| 1311017159 | A-129; A-131 | \$1,794 |
| 1311017161 | A-138 | \$728 |
| 1311017162 | A-138 | \$672 |
| 1311017163 | A-138 | \$683 |
| 1311017164 | A-138 | \$668 |
| 1311017191 | A-130; A-132 | \$1,820 |
| 1311017192 | A-130; A-132 | \$1,736 |
| 1311017195 | A-133 | \$1,803 |
| 1311017196 | A-133 | \$1,852 |
| 1311087110 | A-129; A-131 | \$1,683 |
| 1311087111 | A-129; A-131 | \$1,706 |
| 1311087113 | A-129; A-131 | \$2,005 |
| 1311087114 | A-129; A-131 | \$1,981 |
| 1311087115 | A-129; A-131 | \$1,619 |
| 1311087117 | A-130; A-132 | \$1,663 |
| 1311087118 | A-130; A-132 | \$1,688 |
| 1311087119 | A-130; A-132 | \$1,962 |
| 1311087120 | A-130; A-132 | \$1,985 |
| 1311087121 | A-129; A-131 | \$1,544 |
| 1311087122 | A-130; A-132 | \$1,526 |
| 1311087123 | A-130; A-132 | \$1,601 |
| 1311087124 | A-129; A-131 | \$1,642 |
| 1311087125 | A-130; A-132 | \$1,626 |
| 1311087130 | A-129; A-131 | \$1,886 |
| 1311087133 | A-129; A-131 | \$1,694 |
| 1311087138 | A-129; A-131 | \$1,875 |
| 1311087152 | A-130; A-132 | \$1,879 |
| 1311087159 | A-129; A-131 | \$1,794 |
| 1312200400 | A-255 | \$879 |

| Part Number | Page(s) | Price |
|---------------------|---------------------------------|---------|
| 1313007404 | A-256 | \$851 |
| 1313017152 | A-129; A-131 | \$1,958 |
| 1313017153 | A-129; A-131 | \$1,976 |
| 1313017154 | A-129; A-131 | \$1,658 |
| 1313017156 | A-129; A-131 | \$1,601 |
| 1313017161 | A-130; A-132 | \$1,581 |
| 1313087152 | A-129; A-131 | \$1,958 |
| 1313087153 | A-129; A-131 | \$1,976 |
| 1313087154 | A-129; A-131 | \$1,658 |
| 1313087156 | A-129; A-131 | \$1,601 |
| 1313087161 | A-130; A-132 | \$1,581 |
| 1313171403 | A-256 | \$837 |
| 1321007112 | A-129; A-131 | \$1,591 |
| 1321007113 | A-129; A-131 | \$1,483 |
| 1321007115 | A-129; A-131 | \$1,439 |
| 1321007117 | A-130; A-132 | \$1,465 |
| 1321007119 | A-129; A-131 | \$1,615 |
| 1321007121 | A-130; A-132 | \$1,421 |
| 1321007124 | A-130; A-132 | \$1,595 |
| 1321007125 | A-130; A-132 | \$1,572 |
| 1321007142 | A-138 | \$599 |
| 1321007143 | A-138 | \$605 |
| 1321007144 | A-138 | \$510 |
| 1321007145 | A-138 | \$516 |
| 1321007146 | A-138 | \$566 |
| 1321007147 | A-138 | \$553 |
| 1321007148 | A-138 | \$642 |
| 1321007149 | A-138 | \$628 |
| 1321007158 | A-130; A-132 | \$1,891 |
| 1321087112 | A-129; A-131 | \$1,591 |
| 1321087113 | A-129; A-131 | \$1,483 |
| 1321087115 | A-129; A-131 | \$1,439 |
| 1321087117 | A-130; A-132 | \$1,465 |
| 1321087119 | A-129; A-131 | \$1,615 |
| 1321087121 | A-130; A-132 | \$1,421 |
| 1321087124 | A-130; A-132 | \$1,595 |
| 1321087125 | A-130; A-132 | \$1,572 |
| 1321087158 | A-130; A-132 | \$1,891 |
| 1323007110 | A-129; A-131 | \$1,460 |
| 1323007112 | A-129; A-131 | \$1,416 |
| 1323007114 | A-130; A-132 | \$1,443 |
| 1323087110 | A-129; A-131 | \$1,460 |
| 1323087114 | A-130; A-132 | \$1,443 |
| .12180S1B48CH-S | A-24 | \$222 |
| .12180S1B48-S | A-22; A-150 | \$201 |
| .16180S1ASPRB48Z-S | A-23; A-26; A-152; A-155; A-263 | \$260 |
| .16180S1ASPRB048Z-S | A-23; A-152; A-169 | \$272 |
| .16180S1B48CH-S | A-24; A-263 | \$231 |
| .16180S1B48-S | A-22 | \$208 |
| .16360S1B48CH-S | A-25; A-154 | \$237 |
| .16360S1B48-S | A-23; A-152; A-169 | \$216 |

| Part Number | Page(s) | Price |
|---------------------|--------------------|-------|
| .1809EP3EAL80-W22 | A-72; A-270 | \$540 |
| .1809EP3WAL80-W22 | A-72; A-270 | \$540 |
| .1812EP3EAL71-W22 | A-75; A-238 | \$338 |
| .1818EP3EAL63-W22 | A-75; A-238 | \$267 |
| .1836EP3EAL63-W22 | A-75; A-238 | \$280 |
| .2509EP3EAL80-W22 | A-75; A-238 | \$583 |
| .2509EP3WAL80-W22 | A-75; A-238 | \$583 |
| .2512EP3EAL71-W22 | A-75; A-238 | \$363 |
| .25120T3E56C-S | A-55 | \$316 |
| .25120T3E56-S | A-47; A-95 | \$288 |
| .2518EP3EAL71-W22 | A-75; A-238 | \$282 |
| .2518ES1BW56C-S | A-20 | \$288 |
| .2518ES1BW56-S | A-19 | \$267 |
| .2518ES3E56C-S | A-41; A-92 | \$270 |
| .2518ES3E56-S | A-26; A-155 | \$249 |
| .2518ES3EBMW56CFL-S | A-71; A-269 | \$966 |
| .2518ES3EBMW56-S | A-70; A-268 | \$928 |
| .2518ES3H56C-S | A-41; A-92 | \$270 |
| .25180S1ASPRB48Z-S | A-24; A-153; A-170 | \$262 |
| .25180S1ASPRB048Z-S | A-24; A-153; A-170 | \$274 |
| .25180S1BRBFBOW56-S | A-168; A-253 | \$283 |
| .25180S1BRBFBW56-S | A-168; A-253 | \$271 |
| .25180S1BSPRB048Z-S | A-24; A-153; A-170 | \$274 |
| .25180T1B48CH-S | A-25; A-154 | \$269 |
| .25180T1B48-S | A-23; A-152; A-169 | \$241 |
| .25180T1BW56CFL-S | A-144; A-337 | \$269 |
| .25180T1BW56C-S | A-25; A-154 | \$269 |
| .25180T1BW56-S | A-23; A-152; A-169 | \$241 |
| .25180T3E48-S | A-47; A-95 | \$235 |
| .25180T3E56CFL-S | A-59 | \$263 |
| .25180T3E56C-S | A-55 | \$263 |
| .25180T3E56-S | A-50; A-159 | \$235 |
| .25180T3H56CFL-S | A-59 | \$263 |
| .2536EP3EAL63-W22 | A-75; A-238 | \$286 |
| .2536ES1BW56C-S | A-20 | \$280 |
| .2536ES1BW56-S | A-19 | \$257 |
| .2536ES3E56C-S | A-42; A-157 | \$258 |
| .2536ES3E56-S | A-26; A-155 | \$237 |
| .25360T1B48CH-S | A-25; A-154 | \$277 |
| .25360T1B48-S | A-23; A-152; A-169 | \$253 |
| .25360T1BW56C-S | A-25; A-154 | \$281 |
| .25360T1BW56-S | A-23; A-152; A-169 | \$253 |
| .25360T3E56C-S | A-56; A-160 | \$259 |
| .25360T3E56-S | A-50; A-159 | \$231 |
| .33120T3E56C-S | A-56; A-160 | \$361 |
| .33120T3E56-S | A-50; A-159 | \$333 |
| .3318EP3ESS56C | A-133 | \$550 |
| .3318EP3ESS56CFL | A-134 | \$550 |
| .3318ES1BPFC48 | A-162; A-294 | \$311 |
| .3318ES1BRBPFC48 | A-162; A-294 | \$325 |
| .3318ES1BW56CFL-S | A-21 | \$304 |

| Part Number | Page(s) | Price |
|---------------------|--------------------|---------|
| .3318ES1BW56C-S | A-21; A-150 | \$304 |
| .3318ES1BW56-S | A-19; A-149; A-168 | \$283 |
| .3318ES1RAD56NZ | A-252 | \$423 |
| .3318ES1RFDW56-S | A-19; A-149; A-168 | \$284 |
| .3318ES3E56CFL-S | A-45; A-95 | \$274 |
| .3318ES3E56C-S | A-42; A-157 | \$274 |
| .3318ES3E56-S | A-32; A-156 | \$253 |
| .3318ES3EBMW56CFL-S | A-71; A-269 | \$1,015 |
| .3318ES3EBMW56-S | A-70; A-268 | \$977 |
| .33180S1AEC56 | A-171 | \$156 |
| .33180S1BRBFBOW56-S | A-171 | \$293 |
| .33180S1BRBFBW56-S | A-171 | \$281 |
| .33180S1BSPRB48Z-S | A-24; A-153; A-170 | \$272 |
| .33180S1BSPRB048Z-S | A-24; A-153; A-170 | \$284 |
| .33180S1BSPRBOW56-S | A-24; A-153; A-170 | \$288 |
| .33180S1BSPRBW56-S | A-24; A-153; A-170 | \$276 |
| .33180T1B48CH-S | A-25; A-154 | \$299 |
| .33180T1B48-S | A-23; A-152; A-169 | \$275 |
| .33180T1BRBOW56-S | A-24; A-153; A-170 | \$325 |
| .33180T1BW56CFL-S | A-25; A-154 | \$303 |
| .33180T1BW56C-S | A-25; A-154 | \$303 |
| .33180T1BW56-S | A-23; A-152; A-169 | \$275 |
| .33180T3E56CFL-S | A-60; A-161 | \$284 |
| .33180T3E56C-S | A-56; A-160 | \$284 |
| .33180T3E56-S | A-50; A-159 | \$256 |
| .33180T3ERB56-S | A-60; A-161 | \$314 |
| .33180T3H56CFL-S | A-60; A-161 | \$284 |
| .33180T3H56-S | A-50; A-159 | \$269 |
| .3318XS1B56 | A-107; A-258 | \$670 |
| .3318XS1B56C | A-107; A-258 | \$816 |
| .3318XS3E56 | A-113; A-164 | \$713 |
| .3318XS3E56C | A-118 | \$877 |
| .3336ES1BJPRW56C-S | A-189 | \$282 |
| .3336ES1BJPRW56J-S | A-189 | \$296 |
| .3336ES1BJPW56C-S | A-192 | \$263 |
| .3336ES1BJPW56J-S | A-192 | \$282 |
| .3336ES1BW56CFL-S | A-21 | \$288 |
| .3336ES1BW56C-S | A-21; A-150 | \$288 |
| .3336ES1BW56-S | A-19; A-149; A-168 | \$267 |
| .3336ES3E56CFL-S | A-45; A-95 | \$270 |
| .3336ES3E56C-S | A-42; A-157 | \$270 |
| .3336ES3E56-S | A-32; A-156 | \$249 |
| .3336ES3EJP56J-S | A-193 | \$259 |
| .3336ES3EJPR56C-S | A-193 | \$257 |
| .3336ES3EJPR56J-S | A-194 | \$268 |
| .3336ES3H56CFL-S | A-46; A-158 | \$270 |
| .3336ES3H56C-S | A-42; A-157 | \$270 |
| .33360S1BJPRW56C-S | A-192 | \$237 |
| .33360S1BJPRW56J-S | A-192 | \$255 |
| .33360S1BJPW56J-S | A-193 | \$254 |
| .33360S3EJP56J-S | A-194 | \$224 |

| Part Number | Page(s) | Price |
|----------------------|---------------------------------|---------|
| .33360S3EJPR56C-S | A-194 | \$220 |
| .33360S3EJPR56J-S | A-195 | \$229 |
| .33360T1B48CH-S | A-25; A-154 | \$282 |
| .33360T1B48-S | A-23; A-152; A-169 | \$256 |
| .33360T1BOW56CFL-S | A-25; A-154 | \$302 |
| .33360T1BW56CFL-S | A-26; A-155 | \$285 |
| .33360T1BW56C-S | A-25; A-154 | \$285 |
| .33360T1BW56-S | A-144; A-337 | \$257 |
| .33360T3E56CFL-S | A-60; A-161; A-171 | \$270 |
| .33360T3E56C-S | A-56; A-160 | \$270 |
| .33360T3E56-S | A-50; A-159 | \$242 |
| .3336XS1B56 | A-113; A-164 | \$612 |
| .3336XS1B56C | A-113; A-164 | \$737 |
| .3336XS3E56 | A-113; A-164 | \$650 |
| .3336XS3E56C | A-118 | \$821 |
| .33820S1AEC56 | A-171 | \$188 |
| .3709EP3EAL90S-W22 | A-75; A-238 | \$662 |
| .3709EP3WAL90S/L-W22 | A-75; A-238 | \$662 |
| .3712EP3EAL80-W22 | A-75; A-238 | \$378 |
| .3718EP3EAL71FF-W22 | A-77; A-110; A-240 | \$340 |
| .3718EP3EAL71-W22 | A-75; A-238 | \$290 |
| .3736EP3EAL71-W22 | A-75; A-238 | \$309 |
| .5012EP3ESS56C | A-133 | \$682 |
| .5012EP3ESS56CFL | A-134 | \$682 |
| .5012ES1B56CFL-S | A-22; A-150 | \$535 |
| .5012ES1B56C-S | A-21; A-150 | \$535 |
| .5012ES1B56-S | A-19; A-22; A-149; A-151; A-252 | \$512 |
| .5012ES3E56CFL-S | A-155 | \$440 |
| .5012ES3E56C-S | A-42; A-157 | \$440 |
| .5012ES3E56-S | A-32; A-156 | \$417 |
| .5012ES3H56CFL-S | A-157 | \$441 |
| .50120T3E56C-S | A-56; A-160 | \$377 |
| .50120T3E56-S | A-50; A-159 | \$349 |
| .5018EP3ESS56C | A-134 | \$575 |
| .5018EP3ESS56CFL | A-135 | \$575 |
| .5018ES1BOW56C-S | A-21; A-150 | \$348 |
| .5018ES1BPFC56 | A-168; A-253 | \$336 |
| .5018ES1BRBPFC56 | A-168; A-253 | \$350 |
| .5018ES1BW56CFL-S | A-22; A-150 | \$333 |
| .5018ES1BW56C-S | A-21; A-150 | \$333 |
| .5018ES1BW56-S | A-19; A-149; A-168 | \$312 |
| .5018ES1RAD56NZ | A-252 | \$475 |
| .5018ES1RFDW56-S | A-19; A-149; A-168 | \$308 |
| .5018ES3E56CFL-S | A-46; A-158 | \$311 |
| .5018ES3E56C-S | A-42; A-157 | \$311 |
| .5018ES3E56-S | A-32; A-156 | \$287 |
| .5018ES3EBMW56CFL-S | A-72; A-270 | \$1,143 |
| .5018ES3EBMW56-S | A-71; A-269 | \$1,105 |
| .5018ES3H56CFL-S | A-46; A-158 | \$281 |
| .5018ES3H56C-S | A-42; A-157 | \$263 |
| .5018ES3H56-S | A-32; A-156 | \$288 |

| Part Number | Page(s) | Price |
|---------------------|---------------------------------|-------|
| .50180S1AEC56 | A-171 | \$164 |
| .50180S1BRBFBOW56-S | A-171 | \$325 |
| .50180S1BRBFBW56-S | A-171 | \$313 |
| .50180S1BSPRB48Z-S | A-24; A-153; A-170 | \$299 |
| .50180S1BSPRB048Z-S | A-24; A-153; A-170 | \$311 |
| .50180S1BSPRBOW56-S | A-24; A-153; A-170 | \$316 |
| .50180S1BSPRBW56-S | A-24; A-153; A-170 | \$304 |
| .50180S1DEC56 | A-171 | \$166 |
| .50180T1B48-S | A-23; A-152; A-169 | \$318 |
| .50180T1BOW56C-S | A-25; A-154 | \$352 |
| .50180T1BRBOW56-S | A-24; A-153; A-170 | \$368 |
| .50180T1BW56CFL-S | A-26; A-155 | \$335 |
| .50180T1BW56C-S | A-25; A-154 | \$335 |
| .50180T1BW56-S | A-23; A-152; A-169 | \$307 |
| .50180T3E56CFL-S | A-60; A-161 | \$324 |
| .50180T3E56C-S | A-56; A-160 | \$324 |
| .50180T3E56-S | A-50; A-159 | \$296 |
| .50180T3ERB56-S | A-60; A-161 | \$354 |
| .50180T3H56CFL-S | A-60; A-161 | \$324 |
| .50180T3H56-S | A-50; A-159 | \$311 |
| .5018XS1B56 | A-113; A-164 | \$739 |
| .5018XS1B56C | A-113; A-164 | \$817 |
| .5018XS3E56 | A-115; A-165 | \$741 |
| .5018XS3E56C | A-119; A-165 | \$926 |
| .5036EP3ESS56C | A-134 | \$569 |
| .5036EP3ESS56CFL | A-135 | \$569 |
| .5036ES1BJPRW56C-S | A-192 | \$299 |
| .5036ES1BJPRW56J-S | A-192 | \$305 |
| .5036ES1BJPW56C-S | A-192 | \$284 |
| .5036ES1BJPW56J-S | A-192 | \$300 |
| .5036ES1BOLW56-S | A-19; A-149; A-168 | \$316 |
| .5036ES1BW56CFL-S | A-22; A-150 | \$313 |
| .5036ES1BW56C-S | A-21; A-150 | \$313 |
| .5036ES1BW56-S | A-19; A-22; A-149; A-151; A-252 | \$284 |
| .5036ES1E143JM | A-198 | \$668 |
| .5036ES1E143JP | A-199 | \$668 |
| .5036ES3E56CFL-S | A-158 | \$282 |
| .5036ES3E56C-S | A-152; A-169 | \$282 |
| .5036ES3E56-S | A-32; A-156 | \$258 |
| .5036ES3EJP56J-S | A-194 | \$267 |
| .5036ES3EJPR56C-S | A-194 | \$270 |
| .5036ES3EJPR56J-S | A-194 | \$282 |
| .5036ES3H56C-S | A-42; A-157 | \$281 |
| .50360S1BCDW56-S | A-23; A-152; A-169 | \$224 |
| .50360S1BJPRW56C-S | A-193 | \$255 |
| .50360S1BJPRW56J-S | A-193 | \$258 |
| .50360S1BJPW56J-S | A-193 | \$258 |
| .50360S3EJP56J-S | A-195 | \$236 |
| .50360S3EJPR56C-S | A-195 | \$224 |
| .50360S3EJPR56J-S | A-195 | \$241 |

| Part Number | Page(s) | Price |
|----------------------|---------------------------------|---------|
| .50360S3HJP56J-S | A-195 | \$236 |
| .50360T1B48CH-S | A-25; A-154 | \$300 |
| .50360T1B48-S | A-23; A-152; A-169 | \$276 |
| .50360T1BOW56CFL-S | A-26; A-155 | \$327 |
| .50360T1BW56CFL-S | A-26; A-155 | \$310 |
| .50360T1BW56C-S | A-25; A-154 | \$310 |
| .50360T1BW56-S | A-23; A-26; A-152; A-155; A-263 | \$282 |
| .50360T3E56CFL-S | A-60; A-161; A-171 | \$286 |
| .50360T3E56C-S | A-56; A-160 | \$286 |
| .50360T3E56-S | A-50; A-159 | \$258 |
| .5036XS1B56 | A-113; A-164 | \$636 |
| .5036XS1B56C | A-113; A-164 | \$717 |
| .5036XS3E56 | A-115; A-165 | \$782 |
| .5036XS3E56C | A-119; A-165 | \$856 |
| .50820S1AEC56 | A-171 | \$199 |
| .50820S1DEC56 | A-171 | \$220 |
| .5509EP3EAL90L-W22 | A-75; A-238 | \$696 |
| .5509EP3WAL90S/L-W22 | A-75; A-238 | \$696 |
| .5512EP3EAL80-W22 | A-75; A-238 | \$405 |
| .5518EP3EAL80FF-W22 | A-77; A-110; A-240 | \$383 |
| .5518EP3EAL80-W22 | A-75; A-238 | \$333 |
| .5536EP3EAL71FF-W22 | A-78; A-241 | \$366 |
| .5536EP3EAL71-W22 | A-75; A-238 | \$316 |
| .7509ET3EAL100L-W22 | A-75; A-238 | \$869 |
| .7512EP3ESS56C | A-134 | \$723 |
| .7512EP3ESS56CFL | A-135 | \$723 |
| .7512ES1B56CFL-S | A-22; A-150 | \$669 |
| .7512ES1B56C-S | A-21; A-150 | \$669 |
| .7512ES1B56-S | A-19; A-22; A-149; A-151; A-168 | \$648 |
| .7512ES3E56CFL-S | A-46; A-158 | \$449 |
| .7512ES3E56C-S | A-42; A-157 | \$449 |
| .7512ES3E56-S | A-32; A-156 | \$427 |
| .7512ES3H56CFL-S | A-46; A-158 | \$448 |
| .7512ET3EAL90S-W22 | A-75; A-238 | \$537 |
| .7512ET3WAL90S-W22 | A-75; A-238 | \$537 |
| .75120T3E56C-S | A-56; A-160 | \$412 |
| .75120T3E56-S | A-50; A-159 | \$384 |
| .7518EP3ESS56C | A-134 | \$616 |
| .7518EP3ESS56CFL | A-135 | \$616 |
| .7518ES1B56CFL-S | A-22; A-150 | \$370 |
| .7518ES1B56C-S | A-21; A-150 | \$370 |
| .7518ES1B56-S | A-19; A-149; A-168 | \$348 |
| .7518ES1BPF56 | A-168; A-253 | \$414 |
| .7518ES1BRBPF56 | A-168; A-253 | \$433 |
| .7518ES1RAD56NZ | A-253 | \$553 |
| .7518ES1RFD56-S | A-19; A-149; A-168 | \$357 |
| .7518ES3E56CFL-S | A-46; A-158 | \$332 |
| .7518ES3E56C-S | A-42; A-157 | \$332 |
| .7518ES3E56-S | A-32; A-156 | \$311 |
| .7518ES3EBMW56CFL-S | A-72; A-270 | \$1,339 |
| .7518ES3EBMW56-S | A-71; A-269 | \$1,301 |

| Part Number | Page(s) | Price |
|----------------------|---------------------------------|-------|
| .7518ES3H56CFL-S | A-46; A-158 | \$333 |
| .7518ES3H56C-S | A-42; A-157 | \$333 |
| .7518ET3EAL90S/LFF-W | A-78; A-241 | \$479 |
| .7518ET3EAL90S/L-W22 | A-75; A-238 | \$420 |
| .7518ET3WAL90S/LFF-W | A-78; A-241 | \$479 |
| .7518ET3WAL90S/L-W22 | A-75; A-238 | \$420 |
| .75180S1AEC56 | A-171 | \$201 |
| .75180S1BRBFBOW56-S | A-171 | \$379 |
| .75180S1BRBFBW56-S | A-171 | \$367 |
| .75180S1DEC56 | A-171 | \$201 |
| .75180T1B56CFL-S | A-26; A-155 | \$415 |
| .75180T1B56C-S | A-25; A-154 | \$415 |
| .75180T1B56-S | A-23; A-152; A-169 | \$387 |
| .75180T1BRBO56-S | A-24; A-153; A-170 | \$434 |
| .75180T3E56CFL-S | A-60; A-161 | \$358 |
| .75180T3E56C-S | A-56; A-160 | \$358 |
| .75180T3E56-S | A-50; A-159 | \$330 |
| .75180T3ERB56-S | A-60; A-161 | \$388 |
| .75180T3H56CFL-S | A-60; A-161 | \$358 |
| .75180T3H56C-S | A-56; A-160 | \$358 |
| .75180T3H56-S | A-50; A-159 | \$347 |
| .7518XS1B56 | A-113; A-164 | \$868 |
| .7518XS1B56C | A-113; A-164 | \$912 |
| .7518XS3E56 | A-115; A-165 | \$817 |
| .7518XS3E56C | A-119; A-165 | \$944 |
| .7536AS1RAF56Z-S | A-253 | \$395 |
| .7536AS3EAF56Z-S | A-253 | \$402 |
| .7536EP3ESS56C | A-134 | \$590 |
| .7536EP3ESS56CFL | A-135 | \$590 |
| .7536ES1B56CFL-S | A-22; A-150 | \$353 |
| .7536ES1B56C-S | A-21; A-150 | \$353 |
| .7536ES1B56-S | A-19; A-149; A-168 | \$297 |
| .7536ES1BJP56C-S | A-192 | \$320 |
| .7536ES1BJP56J-S | A-192 | \$330 |
| .7536ES1BJPR56C-S | A-192 | \$341 |
| .7536ES1BJPR56J-S | A-192 | \$336 |
| .7536ES1BOL56-S | A-19; A-22; A-149; A-151; A-252 | \$329 |
| .7536ES3E56CFL-S | A-46; A-158 | \$311 |
| .7536ES3E56C-S | A-42; A-157 | \$311 |
| .7536ES3E56-S | A-32; A-156 | \$287 |
| .7536ES3EJP56J-S | A-194 | \$301 |
| .7536ES3EJPR56C-S | A-194 | \$293 |
| .7536ES3EJPR56J-S | A-194 | \$319 |
| .7536ES3H56CFL-S | A-46; A-158 | \$310 |
| .7536ES3H56C-S | A-42; A-157 | \$310 |
| .7536ES3H56-S | A-32; A-156 | \$288 |
| .7536ES3HJP56J-S | A-194 | \$301 |
| .7536ET3WAL80-W22 | A-75; A-238 | \$397 |
| .75360S1BCDW56-S | A-23; A-152; A-169 | \$237 |
| .75360S1BJPRW56C-S | A-193 | \$297 |
| .75360S1BJPRW56J-S | A-193 | \$296 |

| Part Number | Page(s) | Price |
|----------------------|--------------------|---------|
| .75360S1BJPW56J-S | A-193 | \$296 |
| .75360S3EJP56J-S | A-195 | \$271 |
| .75360S3EJPR56C-S | A-195 | \$257 |
| .75360S3EJPR56J-S | A-195 | \$278 |
| .75360S3HJP56J-S | A-195 | \$271 |
| .75360S3HJPR56C-S | A-195 | \$257 |
| .75360S3HJPR56J-S | A-195 | \$277 |
| .75360T1B56CFL-S | A-26; A-155 | \$348 |
| .75360T1B56C-S | A-25; A-154 | \$348 |
| .75360T1B56-S | A-23; A-152; A-169 | \$320 |
| .75360T1B056CFL-S | A-26; A-155 | \$365 |
| .75360T3E56CFL-S | A-60; A-161; A-171 | \$333 |
| .75360T3E56C-S | A-56; A-160 | \$333 |
| .75360T3E56-S | A-50; A-159 | \$305 |
| .7536XS1B56 | A-113; A-164 | \$717 |
| .7536XS1B56C | A-113; A-164 | \$773 |
| .7536XS3E56 | A-115; A-165 | \$815 |
| .7536XS3E56C | A-119; A-165 | \$884 |
| .75820S1AEC56 | A-171 | \$251 |
| .75820S1DEC56 | A-171 | \$267 |
| 00109ET3E182T-W22 | A-32; A-156 | \$1,043 |
| 00109ET3EBM182T-W22 | A-67; A-102 | \$2,594 |
| 00109ET3H182T-W22 | A-32; A-156 | \$1,043 |
| 00109ST3QIE182T-W22 | A-60; A-161 | \$2,006 |
| 00109XT3E182T | A-115; A-165 | \$1,974 |
| 00112ET3E145JM-S | A-200 | \$700 |
| 00112ET3E145JM-W22 | A-200 | \$700 |
| 00112ET3E145JP-S | A-205 | \$714 |
| 00112ET3E145JP-W22 | A-205 | \$714 |
| 00112ET3E145TC-S | A-42; A-157 | \$554 |
| 00112ET3E145TC-W22 | A-42; A-157 | \$636 |
| 00112ET3E145T-S | A-32; A-86 | \$529 |
| 00112ET3E145T-SG | A-171 | \$669 |
| 00112ET3E145T-W22 | A-32; A-86 | \$608 |
| 00112ET3E56CFL-S | A-46; A-158 | \$528 |
| 00112ET3E56C-S | A-42 | \$525 |
| 00112ET3E56-S | A-32 | \$497 |
| 00112ET3EAL100L-W22 | A-75; A-238 | \$746 |
| 00112ET3EBM145T-W22 | A-67; A-102 | \$1,587 |
| 00112ET3ECT145TF1-W2 | A-178 | \$728 |
| 00112ET3ECT145T-W22 | A-178 | \$728 |
| 00112ET3ER145TC-S | A-46; A-158 | \$554 |
| 00112ET3ER145TC-W22 | A-46; A-158 | \$655 |
| 00112ET3H145T-S | A-32; A-86 | \$529 |
| 00112ET3H145T-SG | A-171 | \$669 |
| 00112ET3H145T-W22 | A-32; A-156 | \$608 |
| 00112ET3H56CFL-S | A-46 | \$528 |
| 00112ET3PCT145TF1-W2 | A-180 | \$728 |
| 00112ET3PCT145T-W22 | A-180 | \$728 |
| 001120T3E145JM-S | A-210 | \$550 |
| 001120T3E145JMV-S | A-213 | \$605 |

| Part Number | Page(s) | Price |
|----------------------|---------------------------------|---------|
| 001120T3E145JP-S | A-214 | \$550 |
| 001120T3E145T-S | A-50; A-159 | \$446 |
| 001120T3E145T-SG | A-175 | \$586 |
| 001120T3E56C-S | A-56; A-160 | \$486 |
| 001120T3E56-S | A-50; A-159 | \$458 |
| 001120T3H145T-S | A-50 | \$446 |
| 001120T3H145T-SG | A-175 | \$586 |
| 00112ST3HIE145T-W22 | A-60; A-161 | \$1,062 |
| 00112ST3QIE145TC-W22 | A-65; A-100 | \$1,112 |
| 00112ST3QIE145T-W22 | A-62; A-97 | \$1,062 |
| 00112XT3E145T | A-115; A-165 | \$988 |
| 00112XT3E145TC | A-119; A-165 | \$1,107 |
| 00112XT3H145T | A-115 | \$988 |
| 00118AT3PCT143T-W22 | A-182 | \$666 |
| 00118EG3E143T-W22 | A-78; A-241 | \$580 |
| 00118ES1B56CFL-S | A-22; A-150 | \$424 |
| 00118ES1B56C-S | A-21; A-150 | \$424 |
| 00118ES1B56-S | A-19; A-149; A-168 | \$401 |
| 00118ES1B056C-S | A-21; A-150 | \$439 |
| 00118ES1BPPFD56 | A-168; A-253 | \$449 |
| 00118ES1BRBPPFD56 | A-168; A-253 | \$469 |
| 00118ES1E143JM | A-198 | \$687 |
| 00118ES1E143JP | A-199 | \$687 |
| 00118ES1E143T-S | A-19; A-22; A-149; A-151; A-168 | \$531 |
| 00118ES1ER143TC-S | A-22; A-150 | \$559 |
| 00118ES1RAD56N | A-253 | \$683 |
| 00118ES1RFD143T-S | A-19; A-149; A-168 | \$400 |
| 00118ES1RFD56-S | A-19 | \$394 |
| 00118ET3E143HP-W22 | A-231 | \$619 |
| 00118ET3E143JM-S | A-202 | \$613 |
| 00118ET3E143JM-SG | A-219 | \$764 |
| 00118ET3E143JM-W22 | A-202 | \$613 |
| 00118ET3E143JP-S | A-206 | \$624 |
| 00118ET3E143JP-SG | A-220 | \$764 |
| 00118ET3E143JP-W22 | A-206 | \$624 |
| 00118ET3E143TC-S | A-42; A-93 | \$484 |
| 00118ET3E143TC-W22 | A-42; A-157 | \$555 |
| 00118ET3E143T-S | A-32 | \$459 |
| 00118ET3E143T-SG | A-172 | \$599 |
| 00118ET3E143T-W22 | A-32; A-86 | \$527 |
| 00118ET3E56CFL-S | A-46; A-95 | \$407 |
| 00118ET3E56C-S | A-42 | \$407 |
| 00118ET3E56-S | A-32 | \$379 |
| 00118ET3EAL90S-W22 | A-75; A-238 | \$470 |
| 00118ET3EBM143TC-S | A-72; A-270 | \$1,767 |
| 00118ET3EBM143T-S | A-71; A-269 | \$1,729 |
| 00118ET3EBM143T-W22 | A-69; A-267 | \$1,494 |
| 00118ET3EBM56CFL-S | A-72; A-270 | \$1,542 |
| 00118ET3EBM56C-S | A-72; A-270 | \$1,542 |
| 00118ET3EBM56-S | A-71; A-269 | \$1,504 |

| Part Number | Page(s) | Price |
|----------------------|---------------------------------|---------|
| 00118ET3EBMR143TC-S | A-72; A-270 | \$1,767 |
| 00118ET3ECT143TF1-W2 | A-180 | \$647 |
| 00118ET3ECT143T-W22 | A-180 | \$647 |
| 00118ET3EPM143/5Y-W2 | A-187 | \$594 |
| 00118ET3ER143TC-S | A-46; A-158 | \$484 |
| 00118ET3ER143TC-W22 | A-46; A-158 | \$572 |
| 00118ET3ESS143TC | A-134 | \$857 |
| 00118ET3ESS143TCFL | A-135 | \$857 |
| 00118ET3ESS56C | A-134 | \$723 |
| 00118ET3ESS56CFL | A-135 | \$723 |
| 00118ET3H143JM-S | A-202 | \$613 |
| 00118ET3H143JM-SG | A-219 | \$764 |
| 00118ET3H143JM-W22 | A-202 | \$613 |
| 00118ET3H143TC-S | A-42; A-93 | \$484 |
| 00118ET3H143TC-W22 | A-42; A-157 | \$555 |
| 00118ET3H143T-S | A-32; A-86 | \$459 |
| 00118ET3H143T-SG | A-172 | \$599 |
| 00118ET3H143T-W22 | A-32; A-156 | \$527 |
| 00118ET3H56CFL-S | A-46 | \$407 |
| 00118ET3H56C-S | A-42 | \$407 |
| 00118ET3H56-S | A-32 | \$379 |
| 00118ET3HBM143T-W22 | A-69; A-267 | \$1,494 |
| 00118ET3PCT143T-W22 | A-180 | \$647 |
| 00118ET3V143JM-S | A-202 | \$613 |
| 00118ET3V143T-SG | A-172 | \$599 |
| 00118ET3WAL90S-W22 | A-75; A-238 | \$470 |
| 00118NT3ESS143TC | A-134 | \$889 |
| 00118NT3ESS143TCFL | A-135 | \$889 |
| 00118NT3ESS56C | A-134 | \$735 |
| 00118NT3ESS56CFL | A-135 | \$735 |
| 00118NT3FVD143TC-W22 | A-106 | \$697 |
| 00118OS1BRBFBOW56-S | A-171 | \$408 |
| 00118OS1BRBFBW56-S | A-171 | \$396 |
| 00118OT1B56CFL-S | A-26; A-155 | \$449 |
| 00118OT1B56C-S | A-25; A-154 | \$449 |
| 00118OT1B56-S | A-23; A-26; A-152; A-155; A-263 | \$421 |
| 00118OT1B056-S | A-23; A-152; A-169 | \$438 |
| 00118OT1BRB056-S | A-24; A-153; A-170 | \$468 |
| 00118OT3E143JM-S | A-210 | \$486 |
| 00118OT3E143JM-SG | A-221 | \$626 |
| 00118OT3E143JMV-S | A-213 | \$541 |
| 00118OT3E143JP-S | A-214 | \$486 |
| 00118OT3E143JP-SG | A-222 | \$626 |
| 00118OT3E143TC-S | A-56; A-160 | \$424 |
| 00118OT3E143TC-SG | A-176 | \$564 |
| 00118OT3E143T-S | A-50; A-159 | \$390 |
| 00118OT3E143T-SG* | A-176 | \$530 |
| 00118OT3E56CFL-S | A-60; A-161 | \$378 |
| 00118OT3E56C-S | A-56; A-160 | \$378 |
| 00118OT3E56-S | A-50 | \$350 |

| Part Number | Page(s) | Price |
|----------------------|---------------------------------|---------|
| 00118OT3ECD143T-S | A-261 | \$398 |
| 00118OT3ERB56-S | A-60; A-161 | \$408 |
| 00118OT3H143JM-S | A-211 | \$486 |
| 00118OT3H143JM-SG | A-221 | \$626 |
| 00118OT3H143TC-S | A-56 | \$424 |
| 00118OT3H143T-S | A-50; A-264 | \$390 |
| 00118OT3H143T-SG | A-176 | \$530 |
| 00118OT3H56CFL-S | A-60; A-161 | \$378 |
| 00118OT3P143TC-S | A-56; A-160 | \$424 |
| 00118OT3P143T-S | A-50; A-159 | \$390 |
| 00118OT3V143JM-S | A-211 | \$486 |
| 00118OT3V143T-SG | A-176 | \$530 |
| 00118ST3HIE143T-W22 | A-62; A-97 | \$922 |
| 00118ST3QIE143TC-W22 | A-65; A-100 | \$972 |
| 00118ST3QIE143T-W22 | A-62; A-97 | \$922 |
| 00118ST3QIER143TC-W2 | A-66; A-101 | \$1,000 |
| 00118XS1B56 | A-113; A-164 | \$988 |
| 00118XS1B56C | A-113; A-164 | \$1,036 |
| 00118XT3E143T | A-115 | \$901 |
| 00118XT3E143TC | A-119; A-165 | \$1,054 |
| 00118XT3E56 | A-115 | \$922 |
| 00118XT3E56C | A-119 | \$1,007 |
| 00118XT3ER143TC | A-119 | \$1,072 |
| 00118XT3H143T | A-115 | \$901 |
| 00136AS1RAF56Z-S | A-254 | \$459 |
| 00136AS3EAF56Z-S | A-254 | \$435 |
| 00136EG3E143T-W22 | A-78; A-241 | \$569 |
| 00136ES1B143T-S | A-19; A-22; A-252 | \$553 |
| 00136ES1B56CFL-S | A-22; A-150 | \$378 |
| 00136ES1B56C-S | A-21; A-150 | \$378 |
| 00136ES1B56-S | A-19; A-22; A-149; A-151; A-252 | \$376 |
| 00136ES1BJP56C-S | A-192 | \$344 |
| 00136ES1BJP56J-S | A-192 | \$374 |
| 00136ES1BJPR56C-S | A-192 | \$357 |
| 00136ES1BJPR56J-S | A-192 | \$386 |
| 00136ES1BOL56-S | A-19 | \$408 |
| 00136ES1E143JM | A-199 | \$682 |
| 00136ET3E143TC-W22 | A-42; A-93 | \$566 |
| 00136ET3E143T-S | A-32; A-86 | \$420 |
| 00136ET3E143T-SG | A-172 | \$560 |
| 00136ET3E143T-W22 | A-32; A-156 | \$538 |
| 00136ET3EAL80-W22 | A-75; A-238 | \$444 |
| 00136ET3EJPRW56C-S | A-194 | \$425 |
| 00136ET3EJPRW56J-S | A-194 | \$429 |
| 00136ET3EJPW56J-S | A-194 | \$434 |
| 00136ET3EPM143/5Y-W2 | A-187 | \$565 |
| 00136ET3ER143TC-W22 | A-46; A-95 | \$577 |
| 00136ET3ESS56C | A-134 | \$701 |
| 00136ET3ESS56CFL | A-135 | \$701 |
| 00136ET3EW56CFL-S | A-46; A-158 | \$420 |
| 00136ET3EW56C-S | A-42; A-157 | \$420 |

| Part Number | Page(s) | Price |
|----------------------|---------------------------------|---------|
| 00136ET3EW56-S | A-32 | \$392 |
| 00136ET3H143T-S | A-32; A-86 | \$420 |
| 00136ET3H143T-SG | A-172 | \$560 |
| 00136ET3H143T-W22 | A-32; A-156 | \$538 |
| 00136ET3HJPW56J-S | A-194 | \$434 |
| 00136ET3HW56C-S | A-42; A-93 | \$420 |
| 00136ET3HW56-S | A-32 | \$392 |
| 00136ET3WAL80-W22 | A-75; A-238 | \$444 |
| 00136NT3ESS56C | A-134 | \$713 |
| 00136NT3ESS56CFL | A-135 | \$713 |
| 00136S1BCD56-S | A-23; A-152; A-169 | \$278 |
| 00136S1BJP56J-S | A-193 | \$334 |
| 00136S1BJPR56C-S | A-193 | \$317 |
| 00136S1BJPR56J-S | A-193 | \$334 |
| 00136S3EJP56J-S | A-195 | \$286 |
| 00136S3EJPR56C-S | A-195 | \$274 |
| 00136S3EJPR56J-S | A-195 | \$287 |
| 00136S3HJP56J-S | A-195 | \$286 |
| 00136T1B56CFL-S | A-26; A-155 | \$375 |
| 00136T1B56C-S | A-25; A-154 | \$375 |
| 00136T1B56-S | A-23; A-26; A-152; A-155; A-169 | \$347 |
| 00136T1B056CFL-S | A-26; A-155 | \$392 |
| 00136T3E143T-S | A-50 | \$385 |
| 00136T3E56CFL-S | A-60; A-161; A-171 | \$383 |
| 00136T3E56C-S | A-56 | \$383 |
| 00136T3E56-S | A-50; A-264 | \$355 |
| 00136XS1B56 | A-113; A-164 | \$774 |
| 00136XS1B56C | A-113; A-164 | \$814 |
| 00136XT3E143T | A-115; A-165 | \$886 |
| 00136XT3E56 | A-115 | \$858 |
| 00136XT3E56C | A-119 | \$924 |
| 00152ES1E182T | A-19; A-149; A-168 | \$1,100 |
| 00152ET3E182JM-S | A-202 | \$909 |
| 00152ET3E182JM-W22 | A-202 | \$909 |
| 00152ET3E182JP-S | A-206 | \$924 |
| 00152ET3E182JP-W22 | A-206 | \$924 |
| 00152ET3E182TC-S | A-42; A-157 | \$690 |
| 00152ET3E182TC-W22 | A-42; A-157 | \$792 |
| 00152ET3E182T-S | A-32; A-86 | \$656 |
| 00152ET3E182T-SG | A-172 | \$826 |
| 00152ET3E182T-W22 | A-32; A-156 | \$754 |
| 00152ET3EAL112M-W22 | A-75; A-238 | \$923 |
| 00152ET3EBM182T-W22 | A-69; A-267 | \$2,264 |
| 00152ET3ECT182T-W22 | A-180 | \$903 |
| 00152ET3EPM182/4Y-W2 | A-189 | \$820 |
| 00152ET3ER182TC-S | A-46; A-95 | \$690 |
| 00152ET3ER182TC-W22 | A-46; A-158 | \$816 |
| 00152ET3H182T-S | A-33 | \$656 |
| 00152ET3H182T-SG | A-172 | \$826 |
| 00152ET3H182T-W22 | A-33; A-86 | \$754 |
| 00152ET3PCT182T-W22 | A-180 | \$903 |

| Part Number | Page(s) | Price |
|----------------------|---------------------------------|---------|
| 00152ET3WAL100LFF-W2 | A-78; A-241 | \$882 |
| 00152ET3WAL112M-W22 | A-75; A-238 | \$923 |
| 001520T3E182JM-S | A-211 | \$769 |
| 001520T3E182JMV-S | A-214 | \$827 |
| 001520T3E182JP-S | A-215 | \$729 |
| 001520T3E182T-S | A-50 | \$588 |
| 001520T3E182T-SG | A-176 | \$758 |
| 00152ST3HIE182T-W22 | A-62; A-97 | \$1,286 |
| 00152ST3QIE182TC-W22 | A-66; A-101 | \$1,351 |
| 00152ST3QIE182T-W22 | A-62; A-97 | \$1,286 |
| 00152XT3E182T | A-115 | \$1,105 |
| 00152XT3E182TC | A-119; A-165 | \$1,270 |
| 00152XT3H182T | A-115; A-165 | \$1,105 |
| 00156AP3EAF143TZ-S | A-254 | \$498 |
| 00156AS1RAF143TZ-S | A-254 | \$643 |
| 00156AS1RAF56Z-S | A-254 | \$601 |
| 00156EG3E143T-W22 | A-80 | \$597 |
| 00156ES1B143T-S | A-19; A-22; A-149; A-151; A-168 | \$602 |
| 00156ES1B56CFL-S | A-22 | \$454 |
| 00156ES1B56C-S | A-21; A-150 | \$454 |
| 00156ES1B56-S | A-19 | \$432 |
| 00156ES1BJP56C-S | A-192 | \$412 |
| 00156ES1BJP56J-S | A-192 | \$425 |
| 00156ES1BJPR56C-S | A-192 | \$432 |
| 00156ES1BJPR56J-S | A-192 | \$438 |
| 00156ES1BOL56-S | A-19 | \$463 |
| 00156ES1E143JM | A-199 | \$729 |
| 00156ES1E143JP | A-200 | \$729 |
| 00156ET3E143HP-W22 | A-231 | \$573 |
| 00156ET3E143JM-S | A-202 | \$710 |
| 00156ET3E143JM-SG | A-220 | \$850 |
| 00156ET3E143JM-W22 | A-202 | \$710 |
| 00156ET3E143JP-S | A-206 | \$649 |
| 00156ET3E143JP-SG | A-220 | \$850 |
| 00156ET3E143JP-W22 | A-206 | \$649 |
| 00156ET3E143TC-S | A-42 | \$497 |
| 00156ET3E143TC-W22 | A-42; A-93 | \$571 |
| 00156ET3E143T-S | A-33 | \$473 |
| 00156ET3E143T-SG | A-172 | \$613 |
| 00156ET3E143T-W22 | A-33; A-86 | \$543 |
| 00156ET3E56CFL-S | A-46 | \$461 |
| 00156ET3E56C-S | A-42 | \$461 |
| 00156ET3E56-S | A-33 | \$433 |
| 00156ET3EAL90S-W22 | A-75; A-238 | \$504 |
| 00156ET3EBM143T-W22 | A-69; A-267 | \$1,501 |
| 00156ET3EJP56J-S | A-194 | \$473 |
| 00156ET3EJPR56C-S | A-194 | \$455 |
| 00156ET3EJPR56J-S | A-194 | \$468 |
| 00156ET3EPM143/5Y-W2 | A-189 | \$613 |
| 00156ET3ER143TC-S | A-46; A-95 | \$497 |
| 00156ET3ER143TC-W22 | A-46; A-158 | \$588 |

| Part Number | Page(s) | Price |
|----------------------|---------------------------------|---------|
| 00156ET3ESS143TCFL | A-135 | \$858 |
| 00156ET3ESS56C | A-134 | \$825 |
| 00156ET3ESS56CFL | A-135 | \$825 |
| 00156ET3H143JM-SG | A-220 | \$850 |
| 00156ET3H143TC-W22 | A-42; A-93 | \$571 |
| 00156ET3H143T-S | A-33; A-86 | \$473 |
| 00156ET3H143T-SG | A-172 | \$613 |
| 00156ET3H143T-W22 | A-33; A-156 | \$543 |
| 00156ET3H56C-S | A-42; A-157 | \$461 |
| 00156ET3HJP56J-S | A-194 | \$473 |
| 00156ET3HJPR56J-S | A-194 | \$468 |
| 00156ET3WAL90S-W22 | A-75; A-238 | \$504 |
| 001560S1BCD56-S | A-23; A-26; A-152; A-155; A-263 | \$311 |
| 001560S1BJP56J-S | A-193 | \$382 |
| 001560S1BJPR56C-S | A-193 | \$338 |
| 001560S1BJPR56J-S | A-193 | \$382 |
| 001560S3EJP56J-S | A-195 | \$296 |
| 001560S3EJPR56C-S | A-195 | \$290 |
| 001560S3EJPR56J-S | A-195 | \$305 |
| 001560S3HJP56J-S | A-195 | \$296 |
| 001560S3HJPR56C-S | A-195 | \$290 |
| 001560T1B56CFL-S | A-26; A-155 | \$421 |
| 001560T1B56C-S | A-25; A-154 | \$421 |
| 001560T1B56-S | A-23; A-152; A-169 | \$393 |
| 001560T1B056CFL-S | A-26; A-155 | \$438 |
| 001560T1BRB056-S | A-24; A-153; A-170 | \$450 |
| 001560T3E143JM-S | A-211 | \$534 |
| 001560T3E143JM-SG | A-222 | \$674 |
| 001560T3E143JMV-S | A-214 | \$589 |
| 001560T3E143JP-S | A-215 | \$534 |
| 001560T3E143JP-SG | A-222 | \$674 |
| 001560T3E143JPV-S | A-217 | \$589 |
| 001560T3E143TC-S | A-56 | \$476 |
| 001560T3E143T-S | A-50; A-159 | \$442 |
| 001560T3E143T-SG | A-176 | \$582 |
| 001560T3E56CFL-S | A-60; A-161 | \$408 |
| 001560T3E56C-S | A-56; A-160 | \$408 |
| 001560T3E56-S | A-50 | \$380 |
| 001560T3H143JM-SG | A-222 | \$674 |
| 001560T3H143TC-S | A-56 | \$476 |
| 001560T3H143T-S | A-50; A-264 | \$442 |
| 001560T3V143JM-S | A-211 | \$534 |
| 001560T3V143JP-S | A-215 | \$534 |
| 00156ST3HIE143T-W22 | A-62; A-97 | \$981 |
| 00156ST3QIE143TC-W22 | A-66; A-101 | \$1,031 |
| 00156ST3QIE143T-W22 | A-62; A-97 | \$981 |
| 00156XS1C56 | A-113; A-164 | \$1,121 |
| 00156XS1C56C | A-113; A-164 | \$1,274 |
| 00156XT3E143T | A-115 | \$916 |
| 00156XT3E143TC | A-119; A-165 | \$1,069 |
| 00156XT3E56 | A-115 | \$1,050 |

| Part Number | Page(s) | Price |
|----------------------|---------------------------------|---------|
| 00156XT3E56C | A-119 | \$1,038 |
| 00156XT3H143T | A-115 | \$916 |
| 00158AT3PCT145T-W22 | A-182 | \$696 |
| 00158EG3EL145T-W22 | A-80 | \$606 |
| 00158ES1B145T-S | A-19; A-149; A-168 | \$612 |
| 00158ES1B56CFL-S | A-22; A-150 | \$478 |
| 00158ES1B56C-S | A-21; A-150 | \$478 |
| 00158ES1B56-S | A-19; A-22; A-149; A-151; A-168 | \$456 |
| 00158ES1B056C-S | A-21; A-150 | \$493 |
| 00158ES1E145JM | A-199 | \$754 |
| 00158ES1E145JP | A-200 | \$754 |
| 00158ES1E145T-S | A-19 | \$611 |
| 00158ES1RAD56N | A-253 | \$1,014 |
| 00158ES1RFD145T-S | A-19; A-149; A-168 | \$504 |
| 00158ES1RFD56H-S | A-19 | \$502 |
| 00158ET3E145HP-W22 | A-233 | \$663 |
| 00158ET3E145JM-S | A-202 | \$643 |
| 00158ET3E145JM-SG | A-220 | \$793 |
| 00158ET3E145JM-W22 | A-202 | \$643 |
| 00158ET3E145JP-S | A-206 | \$653 |
| 00158ET3E145JP-SG | A-221 | \$793 |
| 00158ET3E145JP-W22 | A-206 | \$653 |
| 00158ET3E145TC-S | A-42; A-93 | \$504 |
| 00158ET3E145TC-W22 | A-42; A-157 | \$579 |
| 00158ET3E145T-S | A-33 | \$480 |
| 00158ET3E145T-SG | A-172 | \$620 |
| 00158ET3E145T-W22 | A-33; A-86 | \$551 |
| 00158ET3E56CFL-S | A-46 | \$463 |
| 00158ET3E56C-S | A-42 | \$463 |
| 00158ET3E56-S | A-33 | \$435 |
| 00158ET3EAL90LFF-W22 | A-78; A-241 | \$583 |
| 00158ET3EAL90L-W22 | A-75; A-238 | \$524 |
| 00158ET3EBM145TC-S | A-72; A-270 | \$1,904 |
| 00158ET3EBM145T-S | A-71; A-269 | \$1,866 |
| 00158ET3EBM145T-W22 | A-69; A-267 | \$1,569 |
| 00158ET3EBMR145TC-S | A-72; A-270 | \$1,904 |
| 00158ET3ECT145TF1-W2 | A-180 | \$676 |
| 00158ET3ECT145T-W22 | A-180 | \$676 |
| 00158ET3EPM143/5Y-W2 | A-189 | \$617 |
| 00158ET3ER145TC-S | A-46; A-95 | \$504 |
| 00158ET3ER145TC-W22 | A-46; A-158 | \$596 |
| 00158ET3ESS145TC | A-134 | \$872 |
| 00158ET3ESS145TCFL | A-135 | \$872 |
| 00158ET3ESS56C | A-134 | \$846 |
| 00158ET3ESS56CFL | A-135 | \$846 |
| 00158ET3H145JM-S | A-202 | \$643 |
| 00158ET3H145JM-SG | A-220 | \$793 |
| 00158ET3H145JM-W22 | A-202 | \$643 |
| 00158ET3H145TC-S | A-42; A-93 | \$504 |

| Part Number | Page(s) | Price |
|----------------------|---------------------------------|---------|
| 00158ET3H145TC-W22 | A-42; A-157 | \$579 |
| 00158ET3H145T-S | A-33; A-86 | \$480 |
| 00158ET3H145T-SG | A-172 | \$620 |
| 00158ET3H145T-W22 | A-33; A-156 | \$551 |
| 00158ET3H56C-S | A-42 | \$463 |
| 00158ET3PCT145TF1-W2 | A-180 | \$676 |
| 00158ET3PCT145T-W22 | A-180 | \$676 |
| 00158ET3V145JM-S | A-202 | \$643 |
| 00158ET3V145T-SG | A-172 | \$620 |
| 00158ET3WAL90LFF-W22 | A-78; A-241 | \$583 |
| 00158ET3WAL90L-W22 | A-75; A-238 | \$524 |
| 00152ET3WAL100L-W22 | A-75; A-238 | \$812 |
| 00158NT3FVD145TC-W22 | A-106 | \$705 |
| 001580T1B56CFL-S | A-26; A-155 | \$551 |
| 001580T1B56C-S | A-25; A-154 | \$551 |
| 001580T1B56-S | A-23; A-26; A-152; A-155; A-263 | \$523 |
| 001580T1B056-S | A-23; A-152; A-169 | \$541 |
| 001580T1BRB056-S | A-24; A-153; A-170 | \$570 |
| 001580T3E145JM-S | A-211 | \$553 |
| 001580T3E145JM-SG | A-222 | \$693 |
| 001580T3E145JMV-S | A-214 | \$608 |
| 001580T3E145JP-S | A-215 | \$553 |
| 001580T3E145JP-SG | A-223 | \$693 |
| 001580T3E145TC-S | A-56; A-160 | \$483 |
| 001580T3E145TC-SG | A-176 | \$623 |
| 001580T3E145T-S | A-50; A-159 | \$449 |
| 001580T3E145T-SG | A-176 | \$589 |
| 001580T3E56CFL-S | A-60; A-161 | \$389 |
| 001580T3E56C-S | A-56 | \$389 |
| 001580T3E56-S | A-50 | \$361 |
| 001580T3ECD145T-S | A-261 | \$458 |
| 001580T3ERB56-S | A-60; A-161 | \$419 |
| 001580T3H145JM-S | A-211 | \$553 |
| 001580T3H145JM-SG | A-222 | \$693 |
| 001580T3H145TC-S | A-56 | \$483 |
| 001580T3H145T-S | A-50; A-264 | \$449 |
| 001580T3H145T-SG | A-176 | \$589 |
| 001580T3H56CFL-S | A-60; A-161 | \$389 |
| 001580T3P145TC-S | A-56; A-160 | \$483 |
| 001580T3P145T-S | A-50; A-159 | \$449 |
| 001580T3V145JM-S | A-211 | \$553 |
| 001580T3V145TC-SG | A-176 | \$623 |
| 001580T3V145T-SG | A-176 | \$589 |
| 00158ST3HIE145T-W22 | A-62; A-97 | \$981 |
| 00158ST3QIE145TC-W22 | A-66; A-101 | \$1,031 |
| 00158ST3QIE145T-W22 | A-62; A-97 | \$981 |
| 00158ST3QIER145TC-W2 | A-66; A-101 | \$1,061 |
| 00158XS1C56H | A-113; A-164 | \$1,324 |
| 00158XS1C56HC | A-113; A-164 | \$1,420 |
| 00158XT3E145T | A-115; A-165 | \$963 |
| 00158XT3E145TC | A-119 | \$1,116 |
| 00158XT3E56H | A-115 | \$1,003 |

| Part Number | Page(s) | Price |
|----------------------|-------------------|---------|
| 00158XT3E56HC | A-119; A-165 | \$1,011 |
| 00158XT3ER145TC | A-119 | \$1,135 |
| 00158XT3H145T | A-115 | \$963 |
| 00158XT3H145TC | A-119 | \$1,024 |
| 00159ET3E184T-W22 | A-33 | \$1,207 |
| 00159ET3EBM184T-W22 | A-69; A-267 | \$2,703 |
| 00159ET3H184T-W22 | A-33; A-86 | \$1,207 |
| 00159ET3YAL112M-W22 | A-75; A-238 | \$1,001 |
| 00159ST3QIE184TC-W22 | A-66; A-101 | \$2,081 |
| 00159ST3QIE184T-W22 | A-62; A-97 | \$2,016 |
| 00159XT3E184T | A-115; A-165 | \$1,901 |
| 001820S1AEC56 | A-171 | \$364 |
| 001820S1DEC56 | A-171 | \$389 |
| 00209ET3E213T-W22 | A-33; A-86 | \$1,848 |
| 00209ET3EBM213T-W22 | A-69; A-267 | \$3,345 |
| 00209ET3H213T-W22 | A-33; A-86 | \$1,848 |
| 00209ET3YAL132S-W22 | A-75; A-238 | \$1,412 |
| 00209ST3QIE213TC-W22 | A-66; A-101 | \$2,781 |
| 00209ST3QIE213T-W22 | A-62; A-97 | \$2,701 |
| 00209XT3E213T | A-115 | \$2,439 |
| 00212AT3ECT184TF1-W2 | A-183 | \$1,010 |
| 00212AT3ECT184T-W22 | A-183 | \$1,010 |
| 00212AT3HCT184TF1-W2 | A-183 | \$1,010 |
| 00212AT3HCT184T-W22 | A-183 | \$1,010 |
| 00212AT3PCT184TF1-W2 | A-183 | \$1,010 |
| 00212AT3PCT184T-W22 | A-183 | \$1,010 |
| 00212ES1E213T | A-19; A-22; A-252 | \$1,209 |
| 00212ET3E184JM-S | A-202 | \$1,021 |
| 00212ET3E184JM-W22 | A-202 | \$1,021 |
| 00212ET3E184JP-S | A-206 | \$1,040 |
| 00212ET3E184JP-W22 | A-206 | \$1,040 |
| 00212ET3E184TC-S | A-42; A-93 | \$747 |
| 00212ET3E184TC-W22 | A-42; A-157 | \$857 |
| 00212ET3E184T-S | A-33; A-86 | \$713 |
| 00212ET3E184T-SG | A-172 | \$883 |
| 00212ET3E184T-W22 | A-33; A-86 | \$819 |
| 00212ET3EAL132S-W22 | A-75; A-238 | \$1,166 |
| 00212ET3EBM184T-W22 | A-69; A-267 | \$2,369 |
| 00212ET3ECT184T-W22 | A-180 | \$981 |
| 00212ET3ER184TC-S | A-46 | \$747 |
| 00212ET3ER184TC-W22 | A-46; A-95 | \$883 |
| 00212ET3H184T-S | A-33 | \$713 |
| 00212ET3H184T-SG | A-172 | \$883 |
| 00212ET3H184T-W22 | A-33; A-86 | \$819 |
| 00212ET3PCT184T-W22 | A-180 | \$981 |
| 00212ET3YAL132S-W22 | A-75; A-238 | \$1,166 |
| 002120T3E184JM-S | A-211 | \$816 |
| 002120T3E184JMV-S | A-214 | \$874 |
| 002120T3E184JP-S | A-215 | \$863 |
| 002120T3E184TC-S | A-56 | \$635 |
| 002120T3E184T-S | A-50 | \$597 |

| Part Number | Page(s) | Price |
|----------------------|---------------------------------|---------|
| 002120T3E184T-SG | A-176 | \$767 |
| 002120T3H184TC-S | A-56 | \$635 |
| 002120T3H184T-S | A-50; A-264 | \$597 |
| 00212ST3HIE184T-W22 | A-62; A-97 | \$1,363 |
| 00212ST3QIE184TC-W22 | A-66; A-101 | \$1,428 |
| 00212ST3QIE184T-W22 | A-62; A-97 | \$1,363 |
| 00212XT3E184T | A-115 | \$1,158 |
| 00212XT3E184TC | A-119; A-165 | \$1,323 |
| 00212XT3H184T | A-115 | \$1,158 |
| 00218AT3ECT145TF1-W2 | A-183 | \$775 |
| 00218AT3ECT145T-W22 | A-183 | \$775 |
| 00218AT3PCT145T-W22 | A-183 | \$775 |
| 00218EG3EL145T-W22 | A-80 | \$673 |
| 00218ES1B145TC-S | A-21; A-150 | \$643 |
| 00218ES1B145T-S | A-19; A-22; A-149; A-151; A-252 | \$615 |
| 00218ES1E145JM | A-199 | \$814 |
| 00218ES1E145JP | A-200 | \$814 |
| 00218ES1E145T-S | A-20 | \$615 |
| 00218ES1RFD145T-S | A-20 | \$578 |
| 00218ES1RFD182T | A-20 | \$790 |
| 00218ES1RFD182T-W22 | A-246 | \$790 |
| 00218ES1RFD56H-S | A-20; A-22; A-252 | \$529 |
| 00218ET3E145HP-W22 | A-233 | \$730 |
| 00218ET3E145JM-S | A-202 | \$707 |
| 00218ET3E145JM-SG | A-220 | \$858 |
| 00218ET3E145JM-W22 | A-202 | \$707 |
| 00218ET3E145JP-S | A-206 | \$718 |
| 00218ET3E145JP-SG | A-221 | \$858 |
| 00218ET3E145JP-W22 | A-206 | \$718 |
| 00218ET3E145TC-S | A-43 | \$558 |
| 00218ET3E145TC-W22 | A-43; A-93 | \$640 |
| 00218ET3E145T-S | A-33 | \$533 |
| 00218ET3E145T-SG | A-172 | \$673 |
| 00218ET3E145T-W22 | A-33; A-86 | \$612 |
| 00218ET3E56CFL-S | A-46 | \$506 |
| 00218ET3E56C-S | A-43 | \$506 |
| 00218ET3E56-S | A-33 | \$478 |
| 00218ET3EAL100LFF-W2 | A-78; A-241 | \$700 |
| 00218ET3EAL100L-W22 | A-75; A-238 | \$630 |
| 00218ET3EBM145TC-S | A-72; A-270 | \$1,959 |
| 00218ET3EBM145T-S | A-71; A-269 | \$1,921 |
| 00218ET3EBM145T-W22 | A-69; A-267 | \$1,594 |
| 00218ET3EBMR145TC-S | A-72; A-270 | \$1,959 |
| 00218ET3ECT145TF1-W2 | A-180 | \$752 |
| 00218ET3ECT145T-W22 | A-180 | \$752 |
| 00218ET3EPM143/5Y-W2 | A-189 | \$685 |
| 00218ET3ER145TC-S | A-46; A-95 | \$558 |
| 00218ET3ER145TC-W22 | A-46; A-158 | \$659 |
| 00218ET3ESS145TC | A-134 | \$1,219 |

| Part Number | Page(s) | Price |
|----------------------|--------------------|---------|
| 00218ET3ESS145TCFL | A-135 | \$1,219 |
| 00218ET3ESS56C | A-134 | \$1,001 |
| 00218ET3ESS56CFL | A-135 | \$1,001 |
| 00218ET3H145JM-S | A-202 | \$707 |
| 00218ET3H145JM-SG | A-220 | \$858 |
| 00218ET3H145JM-W22 | A-202 | \$707 |
| 00218ET3H145TC-S | A-43; A-93 | \$558 |
| 00218ET3H145TC-W22 | A-43; A-157 | \$640 |
| 00218ET3H145T-S | A-33; A-86 | \$533 |
| 00218ET3H145T-SG | A-172 | \$673 |
| 00218ET3H145T-W22 | A-33; A-156 | \$612 |
| 00218ET3HCT145T-W22 | A-180 | \$752 |
| 00218ET3PCT145TF1-W2 | A-180 | \$752 |
| 00218ET3PCT145T-W22 | A-180 | \$752 |
| 00218ET3V145JM-S | A-202 | \$707 |
| 00218ET3V145T-SG | A-172 | \$673 |
| 00218ET3WAL100LFF-W2 | A-78; A-241 | \$700 |
| 00218ET3WAL100L-W22 | A-75; A-238 | \$630 |
| 00218NT3FVD145TC-W22 | A-107; A-258 | \$928 |
| 002180T1B56CFL-S | A-26; A-155 | \$654 |
| 002180T1B56C-S | A-25; A-154 | \$654 |
| 002180T1B56-S | A-23; A-152; A-169 | \$626 |
| 002180T1BRB056H-S | A-24; A-153; A-170 | \$616 |
| 002180T3E145JM-S | A-211 | \$607 |
| 002180T3E145JM-SG | A-222 | \$747 |
| 002180T3E145JMV-S | A-214 | \$662 |
| 002180T3E145JP-S | A-215 | \$607 |
| 002180T3E145JP-SG | A-223 | \$747 |
| 002180T3E145TC-S | A-56 | \$526 |
| 002180T3E145TC-SG | A-176 | \$666 |
| 002180T3E145T-S | A-50 | \$492 |
| 002180T3E145T-SG | A-176 | \$632 |
| 002180T3E56CFL-S | A-60; A-161; A-171 | \$399 |
| 002180T3E56C-S | A-56 | \$399 |
| 002180T3E56-S | A-50 | \$371 |
| 002180T3ECD145T-S | A-264 | \$502 |
| 002180T3H145JM-S | A-211 | \$607 |
| 002180T3H145JM-SG | A-222 | \$747 |
| 002180T3H145TC-S | A-56 | \$526 |
| 002180T3H145T-S | A-50; A-264 | \$492 |
| 002180T3H145T-SG | A-176 | \$632 |
| 002180T3H56CFL-S | A-60; A-161 | \$399 |
| 002180T3P145T-S | A-50; A-159 | \$492 |
| 002180T3V145JM-S | A-211 | \$607 |
| 002180T3V145TC-S | A-56; A-160 | \$526 |
| 002180T3V145T-SG | A-176 | \$632 |
| 00218ST3HIE145T-W22 | A-62; A-97 | \$1,023 |
| 00218ST3QIE145TC-W22 | A-66; A-101 | \$1,073 |
| 00218ST3QIE145T-W22 | A-62; A-97 | \$1,023 |
| 00218ST3QIER145TC-W2 | A-67; A-102 | \$1,104 |
| 00218XT3E145T | A-115 | \$995 |

| Part Number | Page(s) | Price |
|----------------------|---------------------------------|---------|
| 00218XT3E145TC | A-119 | \$1,148 |
| 00218XT3E56H | A-115 | \$1,090 |
| 00218XT3E56HC | A-119 | \$1,162 |
| 00218XT3ER145TC | A-120 | \$1,168 |
| 00218XT3H145T | A-115 | \$995 |
| 00218XT3H145TC | A-119 | \$1,148 |
| 00226EP3QCT213VF1-W2 | A-184 | \$2,021 |
| 00226EP3QCT213V-W22 | A-184 | \$2,021 |
| 00236AP3EAF143TZ-S | A-254 | \$578 |
| 00236AS1RAF143TZ-S | A-254 | \$783 |
| 00236EG3E145T-W22 | A-80 | \$650 |
| 00236ES1B145T-S | A-20; A-22 | \$641 |
| 00236ES1B56CFL-S | A-22; A-150 | \$589 |
| 00236ES1B56C-S | A-21; A-150 | \$589 |
| 00236ES1B56-S | A-20; A-22; A-149; A-151; A-252 | \$561 |
| 00236ES1BJP56C-S | A-192 | \$487 |
| 00236ES1BJP56J-S | A-192 | \$486 |
| 00236ES1BJPR56C-S | A-192 | \$494 |
| 00236ES1BJPR56J-S | A-192 | \$498 |
| 00236ES1BOL56-S | A-20 | \$592 |
| 00236ES1E145JM | A-199 | \$770 |
| 00236ES1E145JP | A-200 | \$770 |
| 00236ES1E145T-S | A-20; A-149; A-168 | \$640 |
| 00236ET3E145HP-W22 | A-233 | \$581 |
| 00236ET3E145JM-S | A-202 | \$683 |
| 00236ET3E145JM-SG | A-220 | \$834 |
| 00236ET3E145JM-W22 | A-202 | \$683 |
| 00236ET3E145JP-S | A-206 | \$694 |
| 00236ET3E145JP-SG | A-221 | \$834 |
| 00236ET3E145JP-W22 | A-206 | \$694 |
| 00236ET3E145TC-W22 | A-43 | \$619 |
| 00236ET3E145T-S | A-33 | \$514 |
| 00236ET3E145T-SG | A-172 | \$654 |
| 00236ET3E145T-W22 | A-33; A-86 | \$591 |
| 00236ET3E56CFL-S | A-46 | \$517 |
| 00236ET3E56C-S | A-43; A-93 | \$517 |
| 00236ET3E56-S | A-33 | \$489 |
| 00236ET3EAL90L-W22 | A-75; A-238 | \$756 |
| 00236ET3EBM145T-W22 | A-69; A-267 | \$1,501 |
| 00236ET3EJP56J-S | A-194 | \$535 |
| 00236ET3EJPR56C-S | A-194 | \$490 |
| 00236ET3EJPR56J-S | A-194 | \$525 |
| 00236ET3EPM143/5Y-W2 | A-189 | \$661 |
| 00236ET3ER145TC-S | A-46; A-95 | \$539 |
| 00236ET3ER145TC-W22 | A-46; A-158 | \$638 |
| 00236ET3ESS145TC | A-134 | \$1,113 |
| 00236ET3ESS145TCFL | A-135 | \$1,113 |
| 00236ET3ESS56C | A-134 | \$989 |
| 00236ET3ESS56CFL | A-135 | \$989 |
| 00236ET3H145JM-S | A-202 | \$683 |
| 00236ET3H145JM-SG | A-220 | \$834 |

| Part Number | Page(s) | Price |
|----------------------|---------------------------------|---------|
| 00236ET3H145JM-W22 | A-202 | \$683 |
| 00236ET3H145TC-S | A-43; A-93 | \$539 |
| 00236ET3H145TC-W22 | A-43; A-157 | \$619 |
| 00236ET3H145T-S | A-33; A-86 | \$514 |
| 00236ET3H145T-SG | A-172 | \$654 |
| 00236ET3H145T-W22 | A-33; A-156 | \$591 |
| 00236ET3H56C-S | A-43 | \$517 |
| 00236ET3HJP56J-S | A-194 | \$535 |
| 00236ET3HJPR56J-S | A-194 | \$525 |
| 00236ET3V145JM-S | A-202 | \$683 |
| 00236ET3WAL90LFF-W22 | A-78; A-241 | \$815 |
| 00236ET3WAL90L-W22 | A-75; A-238 | \$756 |
| 00236OS1BCD56-S | A-23; A-26; A-152; A-155; A-169 | \$372 |
| 00236OS1BJP56J-S | A-193 | \$438 |
| 00236OS1BJPR56C-S | A-193 | \$424 |
| 00236OS1BJPR56J-S | A-193 | \$438 |
| 00236OS3EJP56J-S | A-195 | \$316 |
| 00236OS3EJPR56C-S | A-195 | \$311 |
| 00236OS3EJPR56J-S | A-195 | \$321 |
| 00236OS3HJP56J-S | A-195 | \$316 |
| 00236OS3HJPR56C-S | A-195 | \$311 |
| 00236OS3HJPR56J-S | A-195 | \$321 |
| 00236OT1B56CFL-S | A-26; A-155 | \$513 |
| 00236OT1B56C-S | A-25; A-154 | \$513 |
| 00236OT1B56-S | A-23; A-152; A-169 | \$485 |
| 00236OT1B056CFL-S | A-26; A-155 | \$530 |
| 00236OT3E145JM-S | A-211 | \$580 |
| 00236OT3E145JM-SG | A-222 | \$720 |
| 00236OT3E145JMV-S | A-214 | \$635 |
| 00236OT3E145JP-S | A-215 | \$580 |
| 00236OT3E145JP-SG | A-223 | \$720 |
| 00236OT3E145JPV-S | A-217 | \$635 |
| 00236OT3E145TC-S | A-56 | \$521 |
| 00236OT3E145T-S | A-50 | \$487 |
| 00236OT3E145T-SG | A-176 | \$627 |
| 00236OT3E56CFL-S | A-60; A-161 | \$464 |
| 00236OT3E56C-S | A-56 | \$464 |
| 00236OT3E56-S | A-50; A-264 | \$436 |
| 00236OT3H145JM-S | A-211 | \$580 |
| 00236OT3H145JM-SG | A-222 | \$720 |
| 00236OT3H145TC-S | A-56 | \$521 |
| 00236OT3H145T-S | A-50; A-264 | \$487 |
| 00236OT3V145JM-S | A-211 | \$580 |
| 00236OT3V145JM-SG | A-222 | \$720 |
| 00236OT3V145JP-S | A-215 | \$580 |
| 00236ST3HIE145T-W22 | A-62; A-97 | \$1,023 |
| 00236ST3QIE145TC-W22 | A-66; A-101 | \$1,073 |
| 00236ST3QIE145T-W22 | A-62; A-97 | \$1,023 |
| 00236XS1C56H | A-113; A-164 | \$1,408 |
| 00236XS1C56HC | A-113; A-164 | \$1,457 |
| 00236XT3E145T | A-115; A-165 | \$935 |

| Part Number | Page(s) | Price |
|----------------------|---------------------------------|---------|
| 00236XT3E145TC | A-119; A-165 | \$1,045 |
| 00236XT3E56H | A-115 | \$1,171 |
| 00236XT3E56HC | A-119 | \$1,125 |
| 00236XT3H145T | A-115 | \$935 |
| 00289EP3PCT145VF1-W2 | A-185 | \$929 |
| 00289EP3PCT145V-W22 | A-185 | \$929 |
| 00309ET3E215TC-W22 | A-43; A-93 | \$2,166 |
| 00309ET3E215T-W22 | A-33 | \$2,115 |
| 00309ET3EAL132M-W22 | A-75; A-238 | \$1,610 |
| 00309ET3EBM215T-W22 | A-69; A-267 | \$3,740 |
| 00309ET3H215T-W22 | A-33; A-86 | \$2,115 |
| 00309ET3YAL132M-W22 | A-75; A-238 | \$1,610 |
| 00309ST3QIE215TC-W22 | A-66; A-101 | \$2,963 |
| 00309ST3QIE215T-W22 | A-62; A-97 | \$2,883 |
| 00309XT3E215T | A-115; A-165 | \$2,805 |
| 00312AT3ECT213TF1-W2 | A-183 | \$1,369 |
| 00312AT3ECT213T-W22 | A-183 | \$1,369 |
| 00312AT3HCT213T-W22 | A-183 | \$1,369 |
| 00312AT3PCT213TF1-W2 | A-183 | \$1,369 |
| 00312AT3PCT213T-W22 | A-183 | \$1,369 |
| 00312EG3E213T-W22 | A-80 | \$1,242 |
| 00312ES1E215T | A-20; A-22; A-149; A-151; A-168 | \$1,327 |
| 00312ES3EOW215T-W22 | A-256 | \$1,027 |
| 00312ET3E213JM-S | A-202 | \$1,423 |
| 00312ET3E213JM-W22 | A-202 | \$1,423 |
| 00312ET3E213JP-S | A-206 | \$1,449 |
| 00312ET3E213JP-W22 | A-206 | \$1,449 |
| 00312ET3E213TC-W22 | A-43; A-157 | \$1,180 |
| 00312ET3E213T-S | A-34; A-86 | \$983 |
| 00312ET3E213T-SG | A-172 | \$1,183 |
| 00312ET3E213T-W22 | A-34; A-86 | \$1,129 |
| 00312ET3EAL132M-W22 | A-76; A-239 | \$1,247 |
| 00312ET3EBM213T-W22 | A-69; A-267 | \$3,220 |
| 00312ET3ECT213T-W22 | A-180 | \$1,329 |
| 00312ET3ER213TC-S | A-46 | \$1,028 |
| 00312ET3ER213TC-W22 | A-46; A-95 | \$1,203 |
| 00312ET3H213T-S | A-34 | \$983 |
| 00312ET3H213T-SG | A-172 | \$1,183 |
| 00312ET3H213T-W22 | A-34; A-86 | \$1,129 |
| 00312ET3HCT213T-W22 | A-180 | \$1,329 |
| 00312ET3PCT213T-W22 | A-180 | \$1,329 |
| 00312ET3YAL132M-W22 | A-76; A-239 | \$1,247 |
| 003120T3E213JM-S | A-211 | \$1,105 |
| 003120T3E213JMV-S | A-214 | \$1,187 |
| 003120T3E213JP-S | A-215 | \$1,095 |
| 003120T3E213TC-S | A-56; A-160 | \$826 |
| 003120T3E213T-S | A-50; A-159 | \$775 |
| 003120T3E213T-SG | A-176 | \$975 |
| 003120T3H213TC-S | A-56 | \$826 |
| 003120T3H213T-S | A-50 | \$775 |
| 003120T3H213T-SG | A-176 | \$975 |

| Part Number | Page(s) | Price |
|----------------------|-------------|---------|
| 00312ST3HIE213T-W22 | A-62; A-97 | \$1,537 |
| 00312ST3QIE213TC-W22 | A-66; A-101 | \$1,617 |
| 00312ST3QIE213T-W22 | A-62; A-97 | \$1,537 |
| 00312XT3E213T | A-115 | \$1,792 |
| 00312XT3E213TC | A-119 | \$1,868 |
| 00312XT3H213T | A-115 | \$1,792 |
| 00318AT3ECT182TF1-W2 | A-183 | \$804 |
| 00318AT3ECT182T-W22 | A-183 | \$804 |
| 00318AT3HCT182T-W22 | A-183 | \$804 |
| 00318AT3PCT182TF1-W2 | A-183 | \$804 |
| 00318AT3PCT182T-W22 | A-183 | \$804 |
| 00318EG3E182T-W22 | A-80 | \$729 |
| 00318ES1B184JM | A-199 | \$1,182 |
| 00318ES1B184JP | A-200 | \$1,182 |
| 00318ES1B184TC | A-21 | \$913 |
| 00318ES1C184T | A-20 | \$875 |
| 00318ES1C184TC | A-21; A-150 | \$913 |
| 00318ES1DFD184T | A-20 | \$915 |
| 00318ES1DFD184T-W22 | A-246 | \$915 |
| 00318ES1E184JM | A-199 | \$1,182 |
| 00318ES1E184JP | A-200 | \$1,182 |
| 00318ES1E184T | A-20 | \$874 |
| 00318ES1E184TC | A-21 | \$913 |
| 00318ES1ER184TC | A-22; A-150 | \$912 |
| 00318ET3E182HP-W22 | A-233 | \$923 |
| 00318ET3E182JM-S | A-202 | \$1,022 |
| 00318ET3E182JM-SG | A-220 | \$1,211 |
| 00318ET3E182JMV-S | A-202 | \$1,080 |
| 00318ET3E182JM-W22 | A-202 | \$1,022 |
| 00318ET3E182JP-S | A-206 | \$1,041 |
| 00318ET3E182JP-SG | A-221 | \$1,211 |
| 00318ET3E182JP-W22 | A-206 | \$1,041 |
| 00318ET3E182TC-S | A-43; A-93 | \$610 |
| 00318ET3E182TC-SG | A-172 | \$780 |
| 00318ET3E182TC-W22 | A-43; A-93 | \$700 |
| 00318ET3E182T-S | A-34 | \$577 |
| 00318ET3E182T-SG | A-172 | \$747 |
| 00318ET3E182T-W22 | A-34; A-86 | \$663 |
| 00318ET3EAL100L-W22 | A-76; A-239 | \$672 |
| 00318ET3EBM182TC-S | A-72; A-270 | \$2,189 |
| 00318ET3EBM182T-S | A-71; A-269 | \$2,117 |
| 00318ET3EBM182T-W22 | A-69; A-267 | \$2,052 |
| 00318ET3EBMR182TC-S | A-72; A-270 | \$2,189 |
| 00318ET3ECT182TF1-W2 | A-180 | \$781 |
| 00318ET3ECT182T-W22 | A-180 | \$781 |
| 00318ET3EPM182/4Y-W2 | A-189 | \$735 |
| 00318ET3ER182TC-S | A-47 | \$610 |
| 00318ET3ER182TC-W22 | A-47; A-95 | \$721 |
| 00318ET3ESS182TC | A-134 | \$1,453 |

| Part Number | Page(s) | Price |
|----------------------|---------------------------------|---------|
| 00318ET3ESS182TCFL | A-135 | \$1,453 |
| 00318ET3H182JM-S | A-202 | \$1,022 |
| 00318ET3H182JM-SG | A-220 | \$1,211 |
| 00318ET3H182JM-W22 | A-202 | \$1,022 |
| 00318ET3H182JP-S | A-206 | \$1,041 |
| 00318ET3H182JP-W22 | A-206 | \$1,041 |
| 00318ET3H182TC-S | A-43 | \$610 |
| 00318ET3H182TC-W22 | A-43; A-93 | \$700 |
| 00318ET3H182T-S | A-34 | \$577 |
| 00318ET3H182T-SG | A-172 | \$747 |
| 00318ET3H182T-W22 | A-34; A-86 | \$663 |
| 00318ET3HCT182TF1-W2 | A-180 | \$781 |
| 00318ET3HCT182T-W22 | A-180 | \$781 |
| 00318ET3PCT182TF1-W2 | A-180 | \$781 |
| 00318ET3PCT182T-W22 | A-180 | \$781 |
| 00318ET3V182JM-S | A-202 | \$1,022 |
| 00318ET3V182T-SG | A-172 | \$747 |
| 00318ET3WAL100LFF-W2 | A-78; A-241 | \$742 |
| 00318ET3WAL100L-W22 | A-76; A-239 | \$672 |
| 00318NT3FVD182TC-W22 | A-107; A-258 | \$1,150 |
| 003180S1B184T | A-23; A-26; A-152; A-155; A-263 | \$690 |
| 003180S1C184T | A-23; A-152; A-169 | \$690 |
| 003180S1CCDOL184T | A-23 | \$687 |
| 003180T3E182JM-S | A-211 | \$665 |
| 003180T3E182JM-SG | A-222 | \$835 |
| 003180T3E182JMV-S | A-214 | \$723 |
| 003180T3E182JP-S | A-215 | \$665 |
| 003180T3E182JP-SG | A-223 | \$835 |
| 003180T3E182TC-S | A-56 | \$562 |
| 003180T3E182TC-SG | A-176 | \$732 |
| 003180T3E182T-S | A-51 | \$524 |
| 003180T3E182T-SG | A-176 | \$694 |
| 003180T3E56Z-S | A-51 | \$481 |
| 003180T3H182JM-S | A-211 | \$665 |
| 003180T3H182JM-SG | A-222 | \$835 |
| 003180T3H182JP-S | A-215 | \$665 |
| 003180T3H182TC-S | A-56 | \$562 |
| 003180T3H182T-S | A-51; A-264 | \$524 |
| 003180T3H182T-SG | A-176 | \$694 |
| 003180T3P182T-S | A-51; A-159 | \$524 |
| 003180T3V182JM-S | A-211 | \$665 |
| 003180T3V182JM-SG | A-222 | \$835 |
| 003180T3V182TC-S | A-56 | \$562 |
| 003180T3V182TC-SG | A-176 | \$732 |
| 003180T3V182T-S | A-51 | \$524 |
| 003180T3V182T-SG | A-176 | \$694 |
| 00318ST3HIE182T-W22 | A-62; A-97 | \$1,224 |
| 00318ST3QIE182TC-W22 | A-66; A-101 | \$1,289 |
| 00318ST3QIE182T-W22 | A-62; A-97 | \$1,224 |
| 00318ST3QIER182TC-W2 | A-67; A-102 | \$1,326 |
| 00318XT3E182JP | A-120 | \$1,586 |

| Part Number | Page(s) | Price |
|---------------------|--------------|---------|
| 00318XT3E182T | A-115 | \$1,208 |
| 00318XT3E182TC | A-119; A-165 | \$1,373 |
| 00318XT3ER182TC | A-120 | \$1,397 |
| 00318XT3H182JP | A-120; A-209 | \$1,586 |
| 00318XT3H182T | A-115 | \$1,208 |
| 00318XT3H182TC | A-119 | \$1,373 |
| 00326EP3QCT215V-W22 | A-185 | \$2,125 |
| 00336AP1DGD145TZ-S | A-254 | \$910 |
| 00336AP3EAF145TZ-S | A-254 | \$659 |
| 00336AP3EGD145TZ-S | A-254 | \$750 |
| 00336AS1RAF145TZ-S | A-254 | \$818 |
| 00336EG3E182T-W22 | A-80 | \$839 |
| 00336ES1B145JM | A-199 | \$1,076 |
| 00336ES1B145JP | A-200 | \$1,076 |
| 00336ES1B145T-S | A-20; A-22 | \$830 |
| 00336ES1B182T | A-20 | \$882 |
| 00336ES1C145JM | A-199 | \$1,076 |
| 00336ES1DJP56C-S | A-192 | \$548 |
| 00336ES1DJP56J-S | A-192 | \$557 |
| 00336ES1DJPR56C-S | A-192 | \$555 |
| 00336ES1DJPR56J-S | A-192 | \$573 |
| 00336ES1E145JM | A-199 | \$1,076 |
| 00336ES1E145JP | A-200 | \$1,076 |
| 00336ES1E145TC-S | A-21 | \$858 |
| 00336ES1E145T-S | A-20 | \$829 |
| 00336ES1E182T | A-20 | \$879 |
| 00336ES3ESA80SL | A-265 | \$969 |
| 00336ES3ESA80SR | A-265 | \$969 |
| 00336ET3E145HP-W22 | A-233 | \$863 |
| 00336ET3E145JM-S | A-202 | \$897 |
| 00336ET3E145JM-W22 | A-202 | \$764 |
| 00336ET3E145JP-S | A-206 | \$915 |
| 00336ET3E145JP-W22 | A-206 | \$915 |
| 00336ET3E145TC-S | A-43 | \$674 |
| 00336ET3E182HP-W22 | A-233 | \$925 |
| 00336ET3E182JM-S | A-202 | \$918 |
| 00336ET3E182JM-SG | A-220 | \$1,103 |
| 00336ET3E182JM-W22 | A-202 | \$918 |
| 00336ET3E182JP-S | A-206 | \$933 |
| 00336ET3E182JP-SG | A-221 | \$1,103 |
| 00336ET3E182JP-W22 | A-206 | \$933 |
| 00336ET3E182TC-S | A-43; A-93 | \$698 |
| 00336ET3E182TC-W22 | A-43 | \$802 |
| 00336ET3E182T-S | A-34 | \$665 |
| 00336ET3E182T-SG | A-172 | \$835 |
| 00336ET3E182T-W22 | A-34; A-86 | \$763 |
| 00336ET3E56CFL-S | A-47 | \$606 |
| 00336ET3E56C-S | A-43 | \$606 |
| 00336ET3E56-S | A-34 | \$578 |
| 00336ET3EAL100L-W22 | A-76; A-239 | \$805 |
| 00336ET3EBM182T-W22 | A-69; A-267 | \$2,290 |

| Part Number | Page(s) | Price |
|----------------------|-------------|---------|
| 00336ET3EJP56J-S | A-194 | \$634 |
| 00336ET3EJPR56C-S | A-194 | \$602 |
| 00336ET3EJPR56J-S | A-194 | \$624 |
| 00336ET3EPM182/4Y-W2 | A-189 | \$847 |
| 00336ET3ER145TC-W22 | A-47; A-95 | \$677 |
| 00336ET3ER182TC-S | A-47; A-158 | \$698 |
| 00336ET3ER182TC-W22 | A-47; A-95 | \$826 |
| 00336ET3ESS145TCFL | A-135 | \$1,564 |
| 00336ET3ESS182TC | A-134 | \$1,564 |
| 00336ET3ESS182TCFL | A-135 | \$1,564 |
| 00336ET3H145JM-S | A-202 | \$897 |
| 00336ET3H145JM-W22 | A-202 | \$764 |
| 00336ET3H182JM-S | A-202 | \$918 |
| 00336ET3H182JM-SG | A-220 | \$1,103 |
| 00336ET3H182JM-W22 | A-202 | \$918 |
| 00336ET3H182JP-W22 | A-206 | \$933 |
| 00336ET3H182TC-S | A-43; A-93 | \$698 |
| 00336ET3H182TC-W22 | A-43; A-157 | \$802 |
| 00336ET3H182T-S | A-34; A-86 | \$665 |
| 00336ET3H182T-SG | A-172 | \$835 |
| 00336ET3H182T-W22 | A-34; A-156 | \$763 |
| 00336ET3H56CFL-S | A-47 | \$606 |
| 00336ET3H56C-S | A-43 | \$606 |
| 00336ET3HJP56J-S | A-194 | \$634 |
| 00336ET3WAL100L-W22 | A-76; A-239 | \$805 |
| 00336OS1B182JM | A-209 | \$977 |
| 00336OS1B182JP | A-209 | \$977 |
| 00336OS1B182T | A-23 | \$607 |
| 00336OS1C182T | A-23; A-263 | \$606 |
| 00336OS1CCD56-S | A-23 | \$432 |
| 00336OS1DJP56J-S | A-193 | \$499 |
| 00336OS1DJPR56C-S | A-193 | \$482 |
| 00336OS1DJPR56J-S | A-193 | \$499 |
| 00336OS3EJP56J-S | A-195 | \$339 |
| 00336OS3EJPR56C-S | A-195 | \$332 |
| 00336OS3EJPR56J-S | A-195 | \$350 |
| 00336OS3HJP56J-S | A-195 | \$339 |
| 00336OT1B56CFL-S | A-26; A-155 | \$596 |
| 00336OT1B56C-S | A-25; A-154 | \$596 |
| 00336OT1B56-S | A-23 | \$568 |
| 00336OT1B056CFL-S | A-26; A-155 | \$613 |
| 00336OT3E145JM-S | A-211 | \$660 |
| 00336OT3E145JM-SG | A-222 | \$800 |
| 00336OT3E145JMV-S | A-214 | \$715 |
| 00336OT3E145JP-S | A-215 | \$660 |
| 00336OT3E145JP-SG | A-223 | \$800 |
| 00336OT3E145JPV-S | A-218 | \$715 |
| 00336OT3E145TC-S | A-56 | \$579 |
| 00336OT3E145T-S | A-51; A-264 | \$545 |
| 00336OT3E145T-SG | A-176 | \$685 |
| 00336OT3E56CFL-S | A-60; A-161 | \$513 |

| Part Number | Page(s) | Price |
|----------------------|--------------------|---------|
| 00336OT3E56C-S | A-56 | \$513 |
| 00336OT3E56-S | A-51 | \$485 |
| 00336OT3H145JM-S | A-211 | \$660 |
| 00336OT3H145JM-SG | A-222 | \$800 |
| 00336OT3H145JP-S | A-215 | \$660 |
| 00336OT3H145TC-S | A-56 | \$579 |
| 00336OT3H145T-S | A-51; A-264 | \$545 |
| 00336OT3V145JM-S | A-211 | \$660 |
| 00336OT3V145JM-SG | A-222 | \$800 |
| 00336OT3V145JP-S | A-215 | \$660 |
| 00336OT3V145TC-S | A-56; A-160 | \$579 |
| 00336ST3HIE182T-W22 | A-62; A-97 | \$1,267 |
| 00336ST3QIE182TC-W22 | A-66; A-101 | \$1,332 |
| 00336ST3QIE182T-W22 | A-62; A-97 | \$1,267 |
| 00336XT3E182T | A-115 | \$1,192 |
| 00336XT3E182TC | A-119 | \$1,262 |
| 00336XT3H182T | A-115 | \$1,192 |
| 00389EP3PCT182VF1-W2 | A-185 | \$1,369 |
| 00389EP3PCT182V-W22 | A-185 | \$1,369 |
| 00389EP3QCT182VF1-W2 | A-185 | \$1,369 |
| 00389EP3QCT182V-W22 | A-185 | \$1,369 |
| 00409ET3Y160M-W22 | A-76; A-239 | \$1,947 |
| 00412ET3EAL132M-W22 | A-76; A-239 | \$1,254 |
| 00412ET3YAL132MFF-W2 | A-78; A-241 | \$1,333 |
| 00412ET3YAL132M-W22 | A-76; A-109; A-239 | \$1,254 |
| 00418ET3EAL112M-W22 | A-76; A-239 | \$679 |
| 00418ET3YAL112MFF-W2 | A-78; A-241 | \$749 |
| 00418ET3YAL112M-W22 | A-76; A-239 | \$679 |
| 00436ET3EAL112M-W22 | A-76; A-239 | \$874 |
| 00436ET3YAL112MFF-W2 | A-78; A-241 | \$944 |
| 00436ET3YAL112M-W22 | A-76; A-239 | \$874 |
| 00456AP1DGD145TZ-S | A-254 | \$1,025 |
| 00456AP3EGD145TZ-S | A-254 | \$795 |
| 00456AP3EGD182Z-S | A-254 | \$827 |
| 00509ES3EOW256T-W22 | A-256 | \$2,242 |
| 00509ET3E254T-W22 | A-34 | \$3,301 |
| 00509ET3EBM254T-W22 | A-69; A-267 | \$5,641 |
| 00509ET3H254T-W22 | A-34; A-86 | \$3,301 |
| 00509ET3Y160M-W22 | A-76; A-239 | \$2,244 |
| 00509ST3QIE254TC-W22 | A-66; A-101 | \$4,363 |
| 00509ST3QIE254T-W22 | A-62; A-97 | \$4,243 |
| 00509XT3E254T | A-115 | \$3,953 |
| 00512AT3ECT215TF1-W2 | A-183 | \$1,563 |
| 00512AT3ECT215T-W22 | A-183 | \$1,563 |
| 00512AT3HCT215TF1-W2 | A-183 | \$1,563 |
| 00512AT3HCT215T-W22 | A-183 | \$1,563 |
| 00512AT3PCT215TF1-W2 | A-183 | \$1,563 |
| 00512AT3PCT215T-W22 | A-183 | \$1,563 |
| 00512EG3EL215T-W22 | A-80 | \$1,465 |
| 00512ES1E215T | A-20 | \$1,588 |

| Part Number | Page(s) | Price |
|----------------------|-------------|---------|
| 00512ES3E0W215T-W22 | A-261 | \$1,170 |
| 00512ET3E215JM-S | A-202 | \$1,769 |
| 00512ET3E215JM-W22 | A-202 | \$1,769 |
| 00512ET3E215JP-S | A-206 | \$1,801 |
| 00512ET3E215JP-W22 | A-206 | \$1,801 |
| 00512ET3E215TC-W22 | A-43; A-93 | \$1,384 |
| 00512ET3E215T-S | A-34; A-86 | \$1,160 |
| 00512ET3E215T-SG | A-172 | \$1,360 |
| 00512ET3E215T-W22 | A-34; A-86 | \$1,332 |
| 00512ET3EBM215T-W22 | A-69; A-267 | \$3,406 |
| 00512ET3ECT215TF1-W2 | A-180 | \$1,517 |
| 00512ET3ECT215T-W22 | A-180 | \$1,517 |
| 00512ET3ER215TC-S | A-47; A-95 | \$1,206 |
| 00512ET3ER215TC-W22 | A-47; A-158 | \$1,426 |
| 00512ET3H215T-S | A-34 | \$1,160 |
| 00512ET3H215T-SG | A-172 | \$1,360 |
| 00512ET3H215T-W22 | A-34; A-86 | \$1,332 |
| 00512ET3HCT215T-W22 | A-180 | \$1,517 |
| 00512ET3PCT215T-W22 | A-180 | \$1,517 |
| 00512ET3Y160M-W22 | A-76; A-239 | \$1,760 |
| 005120T3E215JM-S | A-211 | \$1,319 |
| 005120T3E215JMV-S | A-214 | \$1,401 |
| 005120T3E215JP-S | A-215 | \$1,321 |
| 005120T3E215TC-S | A-56 | \$1,108 |
| 005120T3E215T-S | A-51; A-159 | \$1,057 |
| 005120T3E215T-SG | A-176 | \$1,257 |
| 005120T3H215TC-S | A-56 | \$1,108 |
| 005120T3H215T-S | A-51 | \$1,057 |
| 00512ST3HIE215T-W22 | A-62; A-97 | \$1,901 |
| 00512ST3QIE215TC-W22 | A-66; A-101 | \$1,981 |
| 00512ST3QIE215T-W22 | A-62; A-97 | \$1,901 |
| 00512XT3E215T | A-115 | \$1,899 |
| 00512XT3E215TC | A-119 | \$1,975 |
| 00512XT3H215T | A-115 | \$1,899 |
| 00518AT3ECT184TF1-W2 | A-183 | \$921 |
| 00518AT3ECT184T-W22 | A-183 | \$921 |
| 00518AT3HCT184TF1-W2 | A-183 | \$921 |
| 00518AT3HCT184T-W22 | A-183 | \$921 |
| 00518AT3PCT184TF1-W2 | A-183 | \$921 |
| 00518AT3PCT184T-W22 | A-183 | \$921 |
| 00518EG3EL184T-W22 | A-80 | \$849 |
| 00518EP3EHP184TYZ7F3 | A-264 | \$819 |
| 00518ES1B184JM | A-199 | \$1,430 |
| 00518ES1B184JP | A-200 | \$1,430 |
| 00518ES1C184T | A-20 | \$1,066 |
| 00518ES1C184TC | A-21 | \$1,103 |
| 00518ES1DFD184T | A-20 | \$1,074 |
| 00518ES1DFD184T-W22 | A-252 | \$1,074 |
| 00518ES1DFD215T | A-20 | \$1,205 |
| 00518ES1DFD215T-W22 | A-252 | \$1,205 |
| 00518ES1DFD215Z | A-20; A-22 | \$1,205 |

| Part Number | Page(s) | Price |
|----------------------|--------------------|---------|
| 00518ES1DFD215Z-W22 | A-252 | \$1,205 |
| 00518ES1E184JM | A-199 | \$1,430 |
| 00518ES1E184JP | A-200 | \$1,430 |
| 00518ES1E184T | A-20; A-22 | \$1,064 |
| 00518ES1E184TC | A-21 | \$1,103 |
| 00518ES1EID184TC-W22 | A-254 | \$1,153 |
| 00518ES3ESA90LL | A-271 | \$1,701 |
| 00518ES3ESA90LR | A-271 | \$1,701 |
| 00518ET3E184HP-W22 | A-233 | \$1,045 |
| 00518ET3E184JM-S | A-203 | \$1,141 |
| 00518ET3E184JM-SG | A-220 | \$1,331 |
| 00518ET3E184JMV-S | A-203 | \$1,199 |
| 00518ET3E184JM-W22 | A-203 | \$1,141 |
| 00518ET3E184JP-S | A-206 | \$1,161 |
| 00518ET3E184JP-SG | A-221 | \$1,331 |
| 00518ET3E184JP-W22 | A-206 | \$1,161 |
| 00518ET3E184TC-S | A-43; A-157 | \$706 |
| 00518ET3E184TC-SG | A-172 | \$876 |
| 00518ET3E184TC-W22 | A-43; A-93 | \$810 |
| 00518ET3E184T-S | A-34 | \$672 |
| 00518ET3E184T-SG | A-172 | \$842 |
| 00518ET3E184T-SRT | A-34; A-86 | \$840 |
| 00518ET3E184T-W22 | A-34 | \$772 |
| 00518ET3EAL132S-W22 | A-76; A-109; A-239 | \$932 |
| 00518ET3EBM184TC-S | A-72; A-270 | \$2,564 |
| 00518ET3EBM184T-S | A-71; A-269 | \$2,492 |
| 00518ET3EBM184T-W22 | A-69; A-267 | \$2,291 |
| 00518ET3EBMR184TC-S | A-72; A-270 | \$2,564 |
| 00518ET3ECT184TF1-W2 | A-180 | \$894 |
| 00518ET3ECT184T-W22 | A-180 | \$894 |
| 00518ET3EID184TC-W22 | A-254 | \$860 |
| 00518ET3EPM182/4Y-W2 | A-189 | \$855 |
| 00518ET3ER184TC-S | A-47 | \$706 |
| 00518ET3ER184TC-W22 | A-47; A-95 | \$834 |
| 00518ET3ESS184TC | A-134 | \$1,607 |
| 00518ET3ESS184TCFL | A-135 | \$1,607 |
| 00518ET3H184JM-S | A-203 | \$1,141 |
| 00518ET3H184JM-SG | A-220 | \$1,331 |
| 00518ET3H184JM-W22 | A-203 | \$1,141 |
| 00518ET3H184JP-S | A-206 | \$1,161 |
| 00518ET3H184JP-W22 | A-206 | \$1,161 |
| 00518ET3H184TC-S | A-43 | \$706 |
| 00518ET3H184TC-W22 | A-43; A-93 | \$810 |
| 00518ET3H184T-S | A-34 | \$672 |
| 00518ET3H184T-SG | A-172 | \$842 |
| 00518ET3H184T-SRT | A-34; A-86 | \$840 |
| 00518ET3H184T-W22 | A-34 | \$772 |
| 00518ET3HBM184T-W22 | A-69; A-267 | \$2,291 |
| 00518ET3HCT184TF1-W2 | A-180 | \$894 |

| Part Number | Page(s) | Price |
|----------------------|--------------------|---------|
| 00518ET3HCT184T-W22 | A-180 | \$894 |
| 00518ET3P184JM-S | A-203 | \$1,141 |
| 00518ET3P184JM-W22 | A-203 | \$1,141 |
| 00518ET3P184T-S | A-34 | \$672 |
| 00518ET3P184T-W22 | A-34; A-86 | \$772 |
| 00518ET3PCT184TF1-W2 | A-180 | \$894 |
| 00518ET3PCT184T-W22 | A-180 | \$894 |
| 00518ET3V184JM-S | A-203 | \$1,141 |
| 00518ET3V184T-SG | A-172 | \$842 |
| 00518ET3YAL132SFF-W2 | A-78; A-241 | \$1,011 |
| 00518ET3YAL132S-W22 | A-76; A-109; A-239 | \$932 |
| 00518NT3FVD184TC-W22 | A-107; A-258 | \$1,373 |
| 00518OS1C184T | A-24; A-153; A-170 | \$725 |
| 00518OS1CCD184T | A-24; A-153; A-170 | \$682 |
| 00518OS1CCDOL184T | A-24 | \$721 |
| 00518OT3E184JM-S | A-211 | \$849 |
| 00518OT3E184JM-SG | A-222 | \$1,019 |
| 00518OT3E184JMV-S | A-214 | \$907 |
| 00518OT3E184JP-S | A-215 | \$848 |
| 00518OT3E184JP-SG | A-223 | \$1,019 |
| 00518OT3E184TC-S | A-57 | \$668 |
| 00518OT3E184TC-SG | A-176 | \$838 |
| 00518OT3E184T-S | A-51 | \$630 |
| 00518OT3E184T-SG | A-176 | \$800 |
| 00518OT3H184JM-S | A-211 | \$849 |
| 00518OT3H184JM-SG | A-222 | \$1,019 |
| 00518OT3H184JP-S | A-215 | \$848 |
| 00518OT3H184TC-S | A-57 | \$668 |
| 00518OT3H184T-S | A-51 | \$630 |
| 00518OT3H184T-SG | A-176 | \$800 |
| 00518OT3P184T-S | A-51; A-264 | \$630 |
| 00518OT3V184JM-S | A-211 | \$849 |
| 00518OT3V184TC-S | A-57 | \$668 |
| 00518OT3V184TC-SG | A-176 | \$838 |
| 00518OT3V184T-S | A-51 | \$630 |
| 00518OT3V184T-SG | A-176 | \$800 |
| 00518ST3HIE184T-W22 | A-62; A-97 | \$1,371 |
| 00518ST3QIE184TC-W22 | A-66; A-101 | \$1,436 |
| 00518ST3QIE184T-W22 | A-62; A-97 | \$1,371 |
| 00518ST3QIER184TC-W2 | A-67; A-102 | \$1,478 |
| 00518XT3E184JP | A-120 | \$1,609 |
| 00518XT3E184T | A-115 | \$1,220 |
| 00518XT3E184TC | A-119 | \$1,385 |
| 00518XT3ER184TC | A-120; A-209 | \$1,409 |
| 00518XT3H184JP | A-120; A-209 | \$1,609 |
| 00518XT3H184T | A-115 | \$1,220 |
| 00518XT3H184TC | A-119 | \$1,385 |
| 00526EP3QCT254VF1-W2 | A-185 | \$2,424 |
| 00526EP3QCT254V-W22 | A-185 | \$2,424 |
| 00536EG3E184T-W22 | A-80 | \$960 |
| 00536ES1B184JM | A-199 | \$1,457 |

| Part Number | Page(s) | Price |
|----------------------|-------------------|---------|
| 00536ES1B184JP | A-200 | \$1,457 |
| 00536ES1B184T | A-20; A-22 | \$1,040 |
| 00536ES1C184JM | A-199 | \$1,457 |
| 00536ES1E184JM | A-199 | \$1,457 |
| 00536ES1E184JP | A-200 | \$1,457 |
| 00536ES1E184T | A-20 | \$1,038 |
| 00536ES1E184TC | A-21 | \$1,077 |
| 00536ES3ESA80ML | A-271 | \$1,160 |
| 00536ES3ESA80MR | A-271 | \$1,160 |
| 00536ET3E184HP-W22 | A-233 | \$1,084 |
| 00536ET3E184JM-S | A-203 | \$1,075 |
| 00536ET3E184JM-SG | A-220 | \$1,264 |
| 00536ET3E184JMV-S | A-203 | \$1,247 |
| 00536ET3E184JM-W22 | A-203 | \$1,075 |
| 00536ET3E184JP-S | A-206 | \$1,094 |
| 00536ET3E184JP-SG | A-221 | \$1,264 |
| 00536ET3E184JP-W22 | A-206 | \$1,094 |
| 00536ET3E184TC-SG | A-172 | \$963 |
| 00536ET3E184TC-W22 | A-43 | \$911 |
| 00536ET3E184T-S | A-34 | \$760 |
| 00536ET3E184T-SG | A-172 | \$930 |
| 00536ET3E184T-SRT | A-34; A-86 | \$810 |
| 00536ET3E184T-W22 | A-34 | \$873 |
| 00536ET3EAL132S-W22 | A-76; A-239 | \$1,144 |
| 00536ET3EBM184T-W22 | A-69; A-267 | \$2,343 |
| 00536ET3EPM182/4Y-W2 | A-189 | \$985 |
| 00536ET3ER184TC-S | A-47 | \$793 |
| 00536ET3ER184TC-W22 | A-47; A-95 | \$938 |
| 00536ET3ESS184TC | A-134 | \$1,779 |
| 00536ET3ESS184TCFL | A-135 | \$1,779 |
| 00536ET3H184JM-S | A-203 | \$1,075 |
| 00536ET3H184JM-SG | A-220 | \$1,264 |
| 00536ET3H184JM-W22 | A-203 | \$1,075 |
| 00536ET3H184JP-W22 | A-206 | \$1,094 |
| 00536ET3H184TC-S | A-43; A-93 | \$793 |
| 00536ET3H184TC-W22 | A-43; A-93 | \$911 |
| 00536ET3H184T-S | A-34 | \$760 |
| 00536ET3H184T-SG | A-172 | \$930 |
| 00536ET3H184T-W22 | A-34; A-86 | \$873 |
| 00536ET3P184JM-S | A-203 | \$1,075 |
| 00536ET3V184JM-S | A-203 | \$1,075 |
| 00536ET3YAL132SFF-W2 | A-78; A-241 | \$1,223 |
| 00536ET3YAL132S-W22 | A-76; A-239 | \$1,144 |
| 00536OS1B184JM | A-210 | \$1,383 |
| 00536OS1B184JP | A-210 | \$1,383 |
| 00536OS1B184T | A-24; A-263 | \$863 |
| 00536OS1C184T | A-24; A-263 | \$863 |
| 00536OS1CCDW184Y-S | A-24 | \$526 |
| 00536OS1D184T | A-24 | \$862 |
| 00536OS1DCD56H-S | A-24; A-26; A-263 | \$458 |
| 00536OS1DCD56HZ-S | A-24 | \$481 |

| Part Number | Page(s) | Price |
|----------------------|-------------|---------|
| 005360S3ECD56-S | A-264 | \$412 |
| 005360T3E182JM-S | A-211 | \$780 |
| 005360T3E182JM-SG | A-222 | \$962 |
| 005360T3E182JMV-S | A-214 | \$838 |
| 005360T3E182JP-S | A-215 | \$792 |
| 005360T3E182JP-SG | A-223 | \$962 |
| 005360T3E182JPV-S | A-218 | \$850 |
| 005360T3E182TC-S | A-57 | \$689 |
| 005360T3E182TC-SG | A-176 | \$859 |
| 005360T3E182T-S | A-51; A-264 | \$651 |
| 005360T3E182T-SG | A-176 | \$821 |
| 005360T3H182JM-S | A-211 | \$780 |
| 005360T3H182JM-SG | A-222 | \$962 |
| 005360T3H182JP-S | A-215 | \$792 |
| 005360T3H182TC-S | A-57 | \$689 |
| 005360T3H182T-S | A-51 | \$651 |
| 005360T3V182JM-S | A-211 | \$780 |
| 005360T3V182JM-SG | A-222 | \$962 |
| 005360T3V182JP-S | A-215 | \$792 |
| 005360T3V182TC-S | A-57 | \$689 |
| 005360T3V182T-S | A-51; A-264 | \$651 |
| 00536ST3HIE184T-W22 | A-62; A-97 | \$1,429 |
| 00536ST3QIE184TC-W22 | A-66; A-101 | \$1,494 |
| 00536ST3QIE184T-W22 | A-62; A-97 | \$1,429 |
| 00536XT3E184T | A-115 | \$1,255 |
| 00536XT3E184TC | A-119 | \$1,325 |
| 00536XT3H184T | A-115 | \$1,255 |
| 00536XT3H184TC | A-119 | \$1,325 |
| 00589EP3HCT184VF1-W2 | A-185 | \$1,471 |
| 00589EP3HCT184V-W22 | A-185 | \$1,471 |
| 00589EP3PCT184VF1-W2 | A-185 | \$1,471 |
| 00589EP3PCT184V-W22 | A-185 | \$1,471 |
| 00589EP3PCT215V2F1-W | A-185 | \$2,262 |
| 00589EP3QCT184VF1-W2 | A-185 | \$1,471 |
| 00589EP3QCT184V-W22 | A-185 | \$1,471 |
| 00589EP3QCT215V2F1-W | A-185 | \$2,262 |
| 00589EP3QCT215V2-W22 | A-185 | \$2,262 |
| 00709ET3E256TC-W22 | A-43 | \$3,726 |
| 00709ET3E256T-W22 | A-34 | \$3,658 |
| 00709ET3EBM256T-W22 | A-69; A-267 | \$6,415 |
| 00709ET3H256T-W22 | A-34; A-86 | \$3,658 |
| 00709ET3Y160L-W22 | A-76; A-239 | \$2,774 |
| 00709ST3QIE256TC-W22 | A-66; A-101 | \$5,160 |
| 00709ST3QIE256T-W22 | A-62; A-97 | \$5,040 |
| 00709XT3E256T | A-115 | \$4,707 |
| 00712AT3ECT254TF1-W2 | A-183 | \$2,506 |
| 00712AT3PCT254TF1-W2 | A-183 | \$2,506 |
| 00712EG3E254T-W22 | A-80 | \$2,272 |
| 00712ES3EOW254T-W22 | A-261 | \$1,688 |
| 00712ET3E254JM-S | A-203 | \$2,455 |
| 00712ET3E254JM-W22 | A-203 | \$2,455 |

| Part Number | Page(s) | Price |
|----------------------|-------------|---------|
| 00712ET3E254JP-S | A-206 | \$2,495 |
| 00712ET3E254JP-W22 | A-206 | \$2,495 |
| 00712ET3E254TC-W22 | A-43; A-93 | \$2,134 |
| 00712ET3E254T-S | A-35; A-87 | \$1,799 |
| 00712ET3E254T-SG | A-172 | \$2,079 |
| 00712ET3E254T-W22 | A-35; A-87 | \$2,065 |
| 00712ET3EBM254T-W22 | A-69; A-267 | \$5,172 |
| 00712ET3ECT254T-W22 | A-180 | \$2,433 |
| 00712ET3ER254TC-S | A-47 | \$1,859 |
| 00712ET3H254T-S | A-35 | \$1,799 |
| 00712ET3H254T-SG | A-172 | \$2,079 |
| 00712ET3H254T-W22 | A-35; A-87 | \$2,065 |
| 00712ET3HCT254T-W22 | A-180 | \$2,433 |
| 00712ET3PCT254T-W22 | A-181 | \$2,433 |
| 00712ET3Y160M-W22 | A-76; A-239 | \$2,306 |
| 007120T3E254JM-S | A-211 | \$1,985 |
| 007120T3E254JM-W40 | A-211 | \$1,985 |
| 007120T3E254JP-S | A-215 | \$2,113 |
| 007120T3E254JPV-S | A-218 | \$2,211 |
| 007120T3E254JP-W40 | A-215 | \$2,113 |
| 007120T3E254TC-S | A-57 | \$1,535 |
| 007120T3E254TC-SG | A-176 | \$1,815 |
| 007120T3E254TC-W40 | A-57 | \$1,535 |
| 007120T3E254T-S | A-51 | \$1,467 |
| 007120T3E254T-SG | A-176 | \$1,747 |
| 007120T3E254T-W40 | A-51 | \$1,467 |
| 007120T3H254TC-S | A-57 | \$1,535 |
| 007120T3H254TC-W40 | A-57 | \$1,535 |
| 007120T3H254T-S | A-51 | \$1,467 |
| 007120T3H254T-SG | A-177 | \$1,747 |
| 00712ST3HIE254T-W22 | A-62; A-97 | \$2,544 |
| 00712ST3QIE254TC-W22 | A-66; A-101 | \$2,664 |
| 00712ST3QIE254T-W22 | A-62; A-97 | \$2,544 |
| 00712XT3E254T | A-115 | \$2,483 |
| 00712XT3H254T | A-116 | \$2,483 |
| 00718AT3ECT213TF1-W2 | A-183 | \$1,332 |
| 00718AT3ECT213T-W22 | A-183 | \$1,332 |
| 00718AT3HCT213TF1-W2 | A-183 | \$1,332 |
| 00718AT3HCT213T-W22 | A-183 | \$1,332 |
| 00718AT3PCT213TF1-W2 | A-183 | \$1,332 |
| 00718AT3PCT213T-W22 | A-183 | \$1,332 |
| 00718EG3E213T-W22 | A-80 | \$1,198 |
| 00718EP3EHP213TYZ7F3 | A-264 | \$1,054 |
| 00718ES1C215JM | A-199 | \$1,766 |
| 00718ES1DFD215T | A-20 | \$1,463 |
| 00718ES1DFD215T-W22 | A-252 | \$1,463 |
| 00718ES1DFD215Z | A-20 | \$1,463 |
| 00718ES1DFD215Z-W22 | A-252 | \$1,463 |
| 00718ES1E215JM | A-199 | \$1,762 |
| 00718ES1E215JP | A-200 | \$1,762 |
| 00718ES1E215T | A-20; A-22 | \$1,359 |

| Part Number | Page(s) | Price |
|----------------------|--------------------|---------|
| 00718ES1E215TC | A-21 | \$1,410 |
| 00718ES1EID215TC-W22 | A-255 | \$1,471 |
| 00718ES3ESA90LL | A-271 | \$1,855 |
| 00718ES3ESA90LR | A-271 | \$1,855 |
| 00718ET3E213HP-W22 | A-233 | \$1,371 |
| 00718ET3E213JM-S | A-203 | \$1,519 |
| 00718ET3E213JM-SG | A-220 | \$1,743 |
| 00718ET3E213JM-W22 | A-203 | \$1,519 |
| 00718ET3E213JP-S | A-207 | \$1,543 |
| 00718ET3E213JP-SG | A-221 | \$1,743 |
| 00718ET3E213JP-W22 | A-207 | \$1,543 |
| 00718ET3E213TC-SG | A-173 | \$1,194 |
| 00718ET3E213TC-W22 | A-43; A-93 | \$1,141 |
| 00718ET3E213T-S | A-35 | \$948 |
| 00718ET3E213T-SG | A-173 | \$1,148 |
| 00718ET3E213T-W22 | A-35; A-87 | \$1,089 |
| 00718ET3EAL132M-W22 | A-76; A-109; A-239 | \$1,110 |
| 00718ET3EBM213TC-S | A-72; A-270 | \$4,702 |
| 00718ET3EBM213T-S | A-71; A-269 | \$4,563 |
| 00718ET3EBM213T-W22 | A-69; A-267 | \$2,903 |
| 00718ET3EBMR213TC-S | A-72; A-270 | \$4,702 |
| 00718ET3ECT213TF1-W2 | A-181 | \$1,293 |
| 00718ET3ECT213T-W22 | A-181 | \$1,293 |
| 00718ET3EID213TC-W22 | A-255 | \$1,202 |
| 00718ET3EPM213/5Y-W2 | A-189 | \$1,240 |
| 00718ET3ER213TC-S | A-47; A-95 | \$994 |
| 00718ET3ER213TC-W22 | A-47 | \$1,175 |
| 00718ET3ESS213TC | A-134 | \$2,201 |
| 00718ET3ESS213TCFL | A-135 | \$2,201 |
| 00718ET3H213JM-S | A-203 | \$1,519 |
| 00718ET3H213JM-SG | A-220 | \$1,743 |
| 00718ET3H213JM-W22 | A-203 | \$1,519 |
| 00718ET3H213JP-S | A-207 | \$1,543 |
| 00718ET3H213JP-SG | A-221 | \$1,743 |
| 00718ET3H213JP-W22 | A-207 | \$1,543 |
| 00718ET3H213TC-W22 | A-43; A-93 | \$1,141 |
| 00718ET3H213T-S | A-35 | \$948 |
| 00718ET3H213T-SG | A-173 | \$1,148 |
| 00718ET3H213T-W22 | A-35; A-87 | \$1,089 |
| 00718ET3HCT213TF1-W2 | A-181 | \$1,293 |
| 00718ET3HCT213T-W22 | A-181 | \$1,293 |
| 00718ET3P213JM-S | A-203 | \$1,519 |
| 00718ET3P213T-S | A-35 | \$948 |
| 00718ET3P213T-W22 | A-35; A-87 | \$1,089 |
| 00718ET3PCT213TF1-W2 | A-181 | \$1,293 |
| 00718ET3PCT213T-W22 | A-181 | \$1,293 |
| 00718ET3V213JM-S | A-203 | \$1,519 |
| 00718ET3V213JP-S | A-207 | \$1,543 |
| 00718ET3V213T-SG | A-173 | \$1,148 |
| 00718ET3YAL132MFF-W2 | A-78; A-241 | \$1,189 |
| 00718ET3YAL132M-W22 | A-76; A-109; A-239 | \$1,110 |

| Part Number | Page(s) | Price |
|----------------------|---------------------------------|---------|
| 00718NT3FVD213TC-W22 | A-107; A-258 | \$1,803 |
| 007180P3EFP213JPV-S | A-228 | \$1,028 |
| 007180P3HFP213JPV-S | A-228 | \$1,028 |
| 007180S1CCD215T | A-24; A-26; A-152; A-155; A-263 | \$961 |
| 007180S1F215T | A-24; A-26; A-152; A-155; A-263 | \$961 |
| 007180T3E213JM-S | A-211 | \$1,119 |
| 007180T3E213JM-SG | A-222 | \$1,320 |
| 007180T3E213JMV-S | A-214 | \$1,201 |
| 007180T3E213JP-S | A-215 | \$1,120 |
| 007180T3E213JP-SG | A-223 | \$1,320 |
| 007180T3E213TC-S | A-57 | \$961 |
| 007180T3E213TC-SG | A-177 | \$1,161 |
| 007180T3E213T-S | A-51 | \$910 |
| 007180T3E213T-SG | A-177 | \$1,110 |
| 007180T3H213JM-S | A-211 | \$1,120 |
| 007180T3H213JM-SG | A-222 | \$1,320 |
| 007180T3H213JP-S | A-215 | \$1,120 |
| 007180T3H213JP-SG | A-223 | \$1,320 |
| 007180T3H213TC-S | A-57 | \$961 |
| 007180T3H213T-S | A-51 | \$910 |
| 007180T3H213T-SG | A-177 | \$1,110 |
| 007180T3P213T-S | A-51; A-264 | \$910 |
| 007180T3V213JM-S | A-211 | \$1,119 |
| 007180T3V213JP-S | A-215 | \$1,120 |
| 007180T3V213JP-SG | A-223 | \$1,320 |
| 007180T3V213TC-S | A-57 | \$961 |
| 007180T3V213TC-SG | A-177 | \$1,161 |
| 007180T3V213T-SG | A-177 | \$1,110 |
| 00718ST3HIE213T-W22 | A-62; A-97 | \$1,646 |
| 00718ST3QIE213TC-W22 | A-66; A-101 | \$1,726 |
| 00718ST3QIE213T-W22 | A-62; A-97 | \$1,646 |
| 00718ST3QIER213TC-W2 | A-67; A-102 | \$1,776 |
| 00718XT3E213T | A-116 | \$1,897 |
| 00718XT3E213TC | A-119 | \$2,080 |
| 00718XT3ER213TC | A-120 | \$2,118 |
| 00718XT3H213T | A-116 | \$1,897 |
| 00718XT3H213TC | A-119 | \$2,080 |
| 00726EP3QCT256V-W22 | A-185 | \$2,496 |
| 00736AP1DGD182TZ-S | A-254 | \$1,296 |
| 00736AP3EGD184TZ-S | A-254 | \$933 |
| 00736EG3E213T-W22 | A-80 | \$1,238 |
| 00736ES1B213T | A-20; A-22 | \$1,552 |
| 00736ES1C213JM | A-199 | \$1,641 |
| 00736ES1C213JP | A-200 | \$1,641 |
| 00736ES1E213JM | A-199 | \$1,641 |
| 00736ES1E213JP | A-200 | \$1,641 |
| 00736ES1E213T | A-20 | \$1,548 |
| 00736ES1E213TC | A-21 | \$1,598 |
| 00736ES3ESA80LL | A-271 | \$1,642 |
| 00736ES3ESA80LR | A-271 | \$1,642 |
| 00736ES3HSA80LL | A-271 | \$1,642 |

| Part Number | Page(s) | Price |
|----------------------|-------------|---------|
| 00736ES3HSA80LR | A-271 | \$1,642 |
| 00736ET3E184HP-W22 | A-233 | \$1,331 |
| 00736ET3E184JM-S | A-203 | \$1,313 |
| 00736ET3E184JM-W22 | A-203 | \$1,313 |
| 00736ET3E184JP-S | A-207 | \$1,339 |
| 00736ET3E184JP-W22 | A-207 | \$1,339 |
| 00736ET3E184TC-S | A-43; A-93 | \$985 |
| 00736ET3E184TC-W22 | A-43; A-93 | \$1,112 |
| 00736ET3E184T-W22 | A-35 | \$1,074 |
| 00736ET3E213HP-W22 | A-233 | \$1,440 |
| 00736ET3E213JM-S | A-203 | \$1,419 |
| 00736ET3E213JM-SG | A-220 | \$1,645 |
| 00736ET3E213JM-W22 | A-203 | \$1,419 |
| 00736ET3E213JP-S | A-207 | \$1,445 |
| 00736ET3E213JP-SG | A-221 | \$1,645 |
| 00736ET3E213JP-W22 | A-207 | \$1,445 |
| 00736ET3E213TC-SG | A-173 | \$1,225 |
| 00736ET3E213TC-W22 | A-43 | \$1,177 |
| 00736ET3E213T-S | A-35; A-87 | \$980 |
| 00736ET3E213T-SG | A-173 | \$1,180 |
| 00736ET3E213T-SRG | A-173 | \$1,298 |
| 00736ET3E213T-SRT | A-35; A-87 | \$1,078 |
| 00736ET3E213T-W22 | A-35 | \$1,125 |
| 00736ET3EAL132S-W22 | A-76; A-239 | \$1,292 |
| 00736ET3EBM213T-W22 | A-69; A-267 | \$3,002 |
| 00736ET3EPM213/5Y-W2 | A-189 | \$1,248 |
| 00736ET3ER213TC-S | A-47 | \$1,025 |
| 00736ET3ER213TC-W22 | A-47; A-95 | \$1,212 |
| 00736ET3ESS213TC | A-134 | \$2,208 |
| 00736ET3ESS213TCFL | A-135 | \$2,208 |
| 00736ET3H184JM-S | A-203 | \$1,313 |
| 00736ET3H184JM-W22 | A-203 | \$1,313 |
| 00736ET3H184TC-W22 | A-43; A-93 | \$1,112 |
| 00736ET3H213JM-S | A-203 | \$1,419 |
| 00736ET3H213JM-SG | A-220 | \$1,645 |
| 00736ET3H213JM-W22 | A-203 | \$1,419 |
| 00736ET3H213JP-S | A-207 | \$1,445 |
| 00736ET3H213JP-W22 | A-207 | \$1,445 |
| 00736ET3H213TC-S | A-43; A-93 | \$1,025 |
| 00736ET3H213TC-W22 | A-43; A-93 | \$1,177 |
| 00736ET3H213T-S | A-35 | \$980 |
| 00736ET3H213T-SG | A-173 | \$1,180 |
| 00736ET3H213T-W22 | A-35; A-87 | \$1,125 |
| 00736ET3V213JM-S | A-203 | \$1,419 |
| 00736ET3YAL132SFF-W2 | A-78; A-241 | \$1,371 |
| 00736ET3YAL132S-W22 | A-76; A-239 | \$1,292 |
| 00736OP3EFP184JMV-S | A-227 | \$993 |
| 00736OP3EFP184JPV-S | A-229 | \$993 |
| 00736OP3EFP184TC-S | A-226 | \$734 |
| 00736OP3HFP184JMV-S | A-227 | \$993 |
| 00736OP3HFP184JPV-S | A-229 | \$993 |

| Part Number | Page(s) | Price |
|----------------------|-------------|---------|
| 00736OP3HFP184TC-S | A-226 | \$734 |
| 00736OP3VFP184JMV-S | A-228 | \$993 |
| 00736OP3VFP184JPV-S | A-229 | \$993 |
| 00736OP3VFP184TC-S | A-227 | \$734 |
| 00736OS1C184T | A-24; A-263 | \$961 |
| 00736OS1C213JM | A-210 | \$1,567 |
| 00736OS1C213JP | A-210 | \$1,567 |
| 00736OT3E184JM-S | A-211 | \$1,086 |
| 00736OT3E184JM-SG | A-222 | \$1,256 |
| 00736OT3E184JMV-S | A-214 | \$1,144 |
| 00736OT3E184JP-S | A-215 | \$1,086 |
| 00736OT3E184JP-SG | A-223 | \$1,256 |
| 00736OT3E184JPV-S | A-218 | \$1,144 |
| 00736OT3E184TC-S | A-57 | \$958 |
| 00736OT3E184TC-SG | A-177 | \$1,128 |
| 00736OT3E184T-S | A-51 | \$920 |
| 00736OT3E184T-SG | A-177 | \$1,090 |
| 00736OT3H184JM-S | A-211 | \$1,086 |
| 00736OT3H184JM-SG | A-222 | \$1,256 |
| 00736OT3H184JMV-S | A-214 | \$1,144 |
| 00736OT3H184JP-S | A-215 | \$1,086 |
| 00736OT3H184TC-S | A-57 | \$958 |
| 00736OT3H184T-S | A-51; A-264 | \$920 |
| 00736OT3V184JM-S | A-211 | \$1,086 |
| 00736OT3V184JMV-S | A-214 | \$1,144 |
| 00736OT3V184JP-S | A-215 | \$1,086 |
| 00736OT3V184JPV-S | A-218 | \$1,144 |
| 00736ST3HIE213T-W22 | A-62; A-97 | \$1,751 |
| 00736ST3QIE213TC-W22 | A-66; A-101 | \$1,831 |
| 00736ST3QIE213T-W22 | A-62; A-97 | \$1,751 |
| 00736XT3E213T | A-116 | \$1,646 |
| 00736XT3E213TC | A-119 | \$1,722 |
| 00736XT3H213T | A-116 | \$1,646 |
| 00789EP3HCT213V-W22 | A-185 | \$1,672 |
| 00789EP3PCT213VF1-W2 | A-185 | \$1,672 |
| 00789EP3PCT213V-W22 | A-185 | \$1,672 |
| 00789EP3PCT254V2F1-W | A-185 | \$2,808 |
| 00789EP3PCT254V2-W22 | A-185 | \$2,808 |
| 00789EP3QCT213VF1-W2 | A-185 | \$1,672 |
| 00789EP3QCT213V-W22 | A-185 | \$1,672 |
| 00789EP3QCT254V2F1-W | A-185 | \$2,808 |
| 00789EP3QCT254V2-W22 | A-185 | \$2,808 |
| 01009ES3EOW286T-W22 | A-261 | \$3,437 |
| 01009ET3E284T-W22 | A-35 | \$4,634 |
| 01009ET3H284T-W22 | A-35; A-87 | \$4,634 |
| 01009ST3QIE284TC-W22 | A-66; A-101 | \$6,136 |
| 01009ST3QIE284T-W22 | A-62; A-97 | \$5,936 |
| 01009XT3E284T | A-116 | \$5,668 |
| 01012AT3ECT256TF1-W2 | A-183 | \$2,919 |
| 01012AT3PCT256TF1-W2 | A-183 | \$2,919 |
| 01012AT3PCT256T-W22 | A-184 | \$2,919 |

| Part Number | Page(s) | Price |
|----------------------|-------------|---------|
| 01012EG3E256T-W22 | A-80 | \$2,636 |
| 01012ES3EOW256T-W22 | A-261 | \$2,070 |
| 01012ET3E256JM-S | A-203 | \$2,979 |
| 01012ET3E256JM-W22 | A-203 | \$2,979 |
| 01012ET3E256JP-S | A-207 | \$3,103 |
| 01012ET3E256JP-W22 | A-207 | \$3,103 |
| 01012ET3E256TC-W22 | A-43 | \$2,465 |
| 01012ET3E256T-S | A-35; A-87 | \$2,088 |
| 01012ET3E256T-SG | A-173 | \$2,368 |
| 01012ET3E256T-W22 | A-35; A-87 | \$2,396 |
| 01012ET3EBM256T-W22 | A-69; A-267 | \$5,759 |
| 01012ET3ECT256TF1-W2 | A-181 | \$2,751 |
| 01012ET3ECT256T-W22 | A-181 | \$2,751 |
| 01012ET3ER256TC-S | A-47 | \$2,148 |
| 01012ET3H256T-S | A-35 | \$2,088 |
| 01012ET3H256T-SG | A-173 | \$2,368 |
| 01012ET3H256T-W22 | A-35; A-87 | \$2,396 |
| 01012ET3HCT256T-W22 | A-181 | \$2,751 |
| 01012ET3PCT256T-W22 | A-181 | \$2,751 |
| 010120T3E256JM-S | A-211 | \$2,298 |
| 010120T3E256JM-W40 | A-211 | \$2,298 |
| 010120T3E256JP-S | A-215 | \$2,298 |
| 010120T3E256JPV-S | A-218 | \$2,396 |
| 010120T3E256JP-W40 | A-215 | \$2,298 |
| 010120T3E256TC-S | A-57 | \$1,785 |
| 010120T3E256TC-W40 | A-57 | \$1,785 |
| 010120T3E256T-S | A-51; A-264 | \$1,717 |
| 010120T3E256T-SG | A-177 | \$1,997 |
| 010120T3E256T-W40 | A-51 | \$1,717 |
| 010120T3H256TC-S | A-57 | \$1,785 |
| 010120T3H256TC-W40 | A-57 | \$1,785 |
| 010120T3H256T-S | A-51 | \$1,717 |
| 010120T3H256T-SG | A-177 | \$1,997 |
| 01012ST3HIE256T-W22 | A-62; A-97 | \$2,834 |
| 01012ST3QIE256TC-W22 | A-66; A-101 | \$2,954 |
| 01012ST3QIE256T-W22 | A-63; A-98 | \$2,834 |
| 01012XT3E256T | A-116 | \$2,900 |
| 01012XT3H256T | A-116 | \$2,900 |
| 01018AT3ECT215TF1-W2 | A-184 | \$1,519 |
| 01018AT3ECT215T-W22 | A-184 | \$1,519 |
| 01018AT3HCT215TF1-W2 | A-184 | \$1,519 |
| 01018AT3HCT215T-W22 | A-184 | \$1,519 |
| 01018AT3PCT215TF1-W2 | A-184 | \$1,519 |
| 01018AT3PCT215T-W22 | A-184 | \$1,519 |
| 01018EG3EL215T-W22 | A-80 | \$1,400 |
| 01018EP3EHP215TYZ7F3 | A-265 | \$1,244 |
| 01018ES1C215JM | A-199 | \$2,057 |
| 01018ES1DFD215T | A-20 | \$1,692 |
| 01018ES1DFD215T-W22 | A-252 | \$1,692 |
| 01018ES1E215JM | A-199 | \$2,057 |
| 01018ES1E215JP | A-200 | \$2,057 |

| Part Number | Page(s) | Price |
|----------------------|-------------|---------|
| 01018ES1E215T | A-20 | \$1,579 |
| 01018ES1E215TC | A-21 | \$1,633 |
| 01018ES1EID215TC-W22 | A-255 | \$1,694 |
| 01018ES3ESA90LL | A-271 | \$2,176 |
| 01018ES3ESA90LR | A-271 | \$2,176 |
| 01018ET3E215HP-W22 | A-233 | \$1,641 |
| 01018ET3E215JM-S | A-203 | \$1,792 |
| 01018ET3E215JM-SG | A-220 | \$2,023 |
| 01018ET3E215JM-W22 | A-203 | \$1,792 |
| 01018ET3E215JP-S | A-207 | \$1,823 |
| 01018ET3E215JP-SG | A-221 | \$2,023 |
| 01018ET3E215JP-W22 | A-207 | \$1,823 |
| 01018ET3E215TC-S | A-43; A-93 | \$1,354 |
| 01018ET3E215TC-SG | A-173 | \$1,354 |
| 01018ET3E215TC-W22 | A-44; A-93 | \$1,325 |
| 01018ET3E215T-S | A-35 | \$1,110 |
| 01018ET3E215T-SG | A-173 | \$1,310 |
| 01018ET3E215T-W22 | A-35; A-87 | \$1,273 |
| 01018ET3EBM215TC-S | A-72; A-270 | \$5,128 |
| 01018ET3EBM215T-S | A-71; A-269 | \$4,989 |
| 01018ET3EBM215T-W22 | A-69; A-267 | \$3,474 |
| 01018ET3EBMR215TC-S | A-72; A-270 | \$5,128 |
| 01018ET3ECT215TF1-W2 | A-181 | \$1,475 |
| 01018ET3ECT215T-W22 | A-181 | \$1,475 |
| 01018ET3EID215TC-W22 | A-255 | \$1,386 |
| 01018ET3EPM213/5Y-W2 | A-189 | \$1,450 |
| 01018ET3ER215TC-S | A-47; A-95 | \$1,154 |
| 01018ET3ER215TC-W22 | A-47 | \$1,366 |
| 01018ET3ESS215TC | A-134 | \$2,452 |
| 01018ET3ESS215TCFL | A-135 | \$2,452 |
| 01018ET3H215JM-S | A-203 | \$1,792 |
| 01018ET3H215JM-SG | A-220 | \$2,023 |
| 01018ET3H215JM-W22 | A-203 | \$1,792 |
| 01018ET3H215JP-S | A-207 | \$1,823 |
| 01018ET3H215JP-SG | A-221 | \$2,023 |
| 01018ET3H215JP-W22 | A-207 | \$1,823 |
| 01018ET3H215TC-S | A-44 | \$1,154 |
| 01018ET3H215TC-W22 | A-44; A-93 | \$1,325 |
| 01018ET3H215T-S | A-35 | \$1,110 |
| 01018ET3H215T-SG | A-173 | \$1,310 |
| 01018ET3H215T-W22 | A-35; A-87 | \$1,273 |
| 01018ET3HBM215T-W22 | A-69; A-267 | \$3,474 |
| 01018ET3HCT215TF1-W2 | A-181 | \$1,475 |
| 01018ET3HCT215T-W22 | A-181 | \$1,475 |
| 01018ET3HR215TC-S | A-47 | \$1,154 |
| 01018ET3P215T-W22 | A-35 | \$1,273 |
| 01018ET3PCT215TF1-W2 | A-181 | \$1,475 |
| 01018ET3PCT215T-W22 | A-181 | \$1,475 |
| 01018ET3V215JM-S | A-203 | \$1,792 |
| 01018ET3V215JP-S | A-207 | \$1,823 |
| 01018ET3V215T-SG | A-173 | \$1,310 |

| Part Number | Page(s) | Price |
|----------------------|--------------|---------|
| 01018NT3FVD215TC-W22 | A-107; A-258 | \$2,157 |
| 010180P3EFP215JPV-S | A-229 | \$1,245 |
| 010180S1CCD215T | A-24 | \$1,468 |
| 010180T3E215JM-S | A-212 | \$1,364 |
| 010180T3E215JM-SG | A-222 | \$1,566 |
| 010180T3E215JMV-S | A-214 | \$1,446 |
| 010180T3E215JP-S | A-215 | \$1,366 |
| 010180T3E215JP-SG | A-223 | \$1,566 |
| 010180T3E215TC-S | A-57 | \$1,153 |
| 010180T3E215TC-SG | A-177 | \$1,353 |
| 010180T3E215T-S | A-51 | \$1,102 |
| 010180T3E215T-SG | A-177 | \$1,302 |
| 010180T3H215JM-S | A-212 | \$1,366 |
| 010180T3H215JM-SG | A-222 | \$1,566 |
| 010180T3H215JMV-S | A-214 | \$1,448 |
| 010180T3H215JP-S | A-215 | \$1,366 |
| 010180T3H215JP-SG | A-223 | \$1,566 |
| 010180T3H215TC-S | A-57 | \$1,153 |
| 010180T3H215T-S | A-51 | \$1,102 |
| 010180T3H215T-SG | A-177 | \$1,302 |
| 010180T3P215T-S | A-51; A-264 | \$1,102 |
| 010180T3V215JP-S | A-215 | \$1,366 |
| 010180T3V215JP-SG | A-223 | \$1,566 |
| 010180T3V215TC-S | A-57 | \$1,153 |
| 010180T3V215TC-SG | A-177 | \$1,353 |
| 010180T3V215T-SG | A-177 | \$1,302 |
| 01018ST3HIE215T-W22 | A-63; A-98 | \$1,760 |
| 01018ST3QIE215TC-W22 | A-66; A-101 | \$1,840 |
| 01018ST3QIE215T-W22 | A-63; A-98 | \$1,760 |
| 01018ST3QIER215TC-W2 | A-67; A-102 | \$1,893 |
| 01018XT3E215T | A-116 | \$1,997 |
| 01018XT3E215TC | A-119 | \$2,180 |
| 01018XT3ER215TC | A-120; A-209 | \$2,220 |
| 01018XT3H215T | A-116 | \$1,997 |
| 01018XT3H215TC | A-119 | \$2,180 |
| 01026EP3QCT284V-W22 | A-185 | \$3,017 |
| 01036AP1DGD182TZ-S | A-254 | \$1,338 |
| 01036AP3EGD184TZ-S | A-254 | \$1,123 |
| 01036EG3E215T-W22 | A-80 | \$1,465 |
| 01036ES1C215JM | A-199 | \$2,172 |
| 01036ES1C215JP | A-200 | \$2,172 |
| 01036ES1E215JM | A-199 | \$2,172 |
| 01036ES1E215JP | A-200 | \$2,172 |
| 01036ES1E215T | A-20; A-22 | \$1,916 |
| 01036ES1E215TC | A-21 | \$1,970 |
| 01036ES3ESA90LL | A-271 | \$1,953 |
| 01036ES3ESA90LR | A-271 | \$1,953 |
| 01036ES3HSA90LL | A-271 | \$1,953 |
| 01036ES3HSA90LR | A-271 | \$1,953 |
| 01036ET3E215HP-W22 | A-233 | \$1,727 |
| 01036ET3E215JM-S | A-203 | \$1,769 |

| Part Number | Page(s) | Price |
|----------------------|-------------|---------|
| 01036ET3E215JM-SG | A-220 | \$2,001 |
| 01036ET3E215JM-W22 | A-203 | \$1,769 |
| 01036ET3E215JP-S | A-207 | \$1,801 |
| 01036ET3E215JP-SG | A-221 | \$2,001 |
| 01036ET3E215JP-W22 | A-207 | \$1,801 |
| 01036ET3E215TC-SG | A-173 | \$1,405 |
| 01036ET3E215TC-W22 | A-44 | \$1,383 |
| 01036ET3E215T-S | A-35; A-87 | \$1,160 |
| 01036ET3E215T-SG | A-173 | \$1,360 |
| 01036ET3E215T-SRG | A-173 | \$1,496 |
| 01036ET3E215T-SRT | A-35; A-87 | \$1,276 |
| 01036ET3E215T-W22 | A-35 | \$1,332 |
| 01036ET3EBM215T-W22 | A-69; A-267 | \$3,492 |
| 01036ET3EPM213/5Y-W2 | A-189 | \$1,477 |
| 01036ET3ER215TC-S | A-47; A-95 | \$1,205 |
| 01036ET3ER215TC-W22 | A-47 | \$1,424 |
| 01036ET3ESS215TC | A-134 | \$2,713 |
| 01036ET3ESS215TCFL | A-135 | \$2,713 |
| 01036ET3H215JM-S | A-203 | \$1,769 |
| 01036ET3H215JM-SG | A-220 | \$2,001 |
| 01036ET3H215JM-W22 | A-203 | \$1,769 |
| 01036ET3H215JP-S | A-207 | \$1,801 |
| 01036ET3H215JP-W22 | A-207 | \$1,801 |
| 01036ET3H215TC-S | A-44; A-93 | \$1,205 |
| 01036ET3H215TC-W22 | A-44; A-93 | \$1,383 |
| 01036ET3H215T-S | A-35 | \$1,160 |
| 01036ET3H215T-SG | A-173 | \$1,360 |
| 01036ET3H215T-W22 | A-35; A-87 | \$1,332 |
| 01036ET3V215JM-S | A-203 | \$1,769 |
| 010360P3EFP213JMV-S | A-228 | \$1,201 |
| 010360P3EFP213JPV-S | A-229 | \$1,273 |
| 010360P3EFP213TC-S | A-227 | \$901 |
| 010360P3HFP213JMV-S | A-228 | \$1,201 |
| 010360P3HFP213JPV-S | A-229 | \$1,273 |
| 010360P3HFP213TC-S | A-227 | \$901 |
| 010360P3VFP213JMV-S | A-228 | \$1,201 |
| 010360P3VFP213JPV-S | A-229 | \$1,273 |
| 010360S1C215JM | A-210 | \$2,067 |
| 010360S1C215JP | A-210 | \$2,067 |
| 010360T3E213JM-S | A-212 | \$1,289 |
| 010360T3E213JM-SG | A-222 | \$1,489 |
| 010360T3E213JMV-S | A-214 | \$1,371 |
| 010360T3E213JP-S | A-215 | \$1,289 |
| 010360T3E213JP-SG | A-223 | \$1,489 |
| 010360T3E213JPV-S | A-218 | \$1,371 |
| 010360T3E213TC-S | A-57 | \$1,132 |
| 010360T3E213TC-SG | A-177 | \$1,332 |
| 010360T3E213T-S | A-51 | \$1,081 |
| 010360T3E213T-SG | A-177 | \$1,281 |
| 010360T3H213JM-S | A-212 | \$1,289 |
| 010360T3H213JM-SG | A-222 | \$1,489 |

| Part Number | Page(s) | Price |
|----------------------|--------------------|---------|
| 010360T3H213JMV-S | A-214 | \$1,371 |
| 010360T3H213JP-S | A-215 | \$1,289 |
| 010360T3H213JP-SG | A-223 | \$1,489 |
| 010360T3H213JVP-S | A-218 | \$1,371 |
| 010360T3H213TC-S | A-57 | \$1,132 |
| 010360T3H213T-S | A-51; A-264 | \$1,081 |
| 010360T3V213JM-S | A-212 | \$1,289 |
| 010360T3V213JMV-S | A-214 | \$1,371 |
| 010360T3V213JP-S | A-215 | \$1,289 |
| 010360T3V213JVP-S | A-218 | \$1,371 |
| 010360T3V213TC-S | A-57 | \$1,132 |
| 01036ST3HIE215T-W22 | A-63; A-98 | \$1,920 |
| 01036ST3QIE215TC-W22 | A-66; A-101 | \$2,000 |
| 01036ST3QIE215T-W22 | A-63; A-98 | \$1,920 |
| 01036XT3E215T | A-116 | \$1,727 |
| 01036XT3E215TC | A-119 | \$1,803 |
| 01036XT3H215T | A-116 | \$1,727 |
| 01036XT3H215TC | A-119 | \$1,803 |
| 01089EP3HCT215VF1-W2 | A-185 | \$1,891 |
| 01089EP3HCT215V-W22 | A-185 | \$1,891 |
| 01089EP3PCT215VF1-W2 | A-185 | \$1,891 |
| 01089EP3PCT215V-W22 | A-185 | \$1,891 |
| 01089EP3PCT256V2F1-W | A-185 | \$3,052 |
| 01089EP3PCT256V2-W22 | A-185 | \$3,052 |
| 01089EP3QCT215VF1-W2 | A-185 | \$1,891 |
| 01089EP3QCT215V-W22 | A-185 | \$1,891 |
| 01089EP3QCT256V2F1-W | A-185 | \$3,052 |
| 01089EP3QCT256V2-W22 | A-185 | \$3,052 |
| 01109ET3Y180L-W22 | A-76; A-239 | \$4,031 |
| 01112ET3Y160L-W22 | A-76; A-239 | \$3,160 |
| 01118ET3Y160MFF-W22 | A-78; A-241 | \$1,843 |
| 01118ET3Y160M-W22 | A-76; A-109; A-239 | \$1,726 |
| 01136ET3Y160MFF-W22 | A-78; A-241 | \$2,219 |
| 01136ET3Y160M-W22 | A-76; A-109; A-239 | \$2,102 |
| 01218ES1E215T | A-20 | \$1,776 |
| 01218ES1E215TC | A-21 | \$1,827 |
| 01218ES1E215T-W22 | A-252 | \$1,776 |
| 01218ES1EID215TC-W22 | A-255 | \$1,888 |
| 01236ES1C215T | A-20 | \$2,015 |
| 01509ES3EOW324T-W22 | A-261 | \$4,293 |
| 01509ET3E286T-W22 | A-35 | \$5,368 |
| 01509ET3H286T-W22 | A-35; A-87 | \$5,368 |
| 01509ET3Y200L-W22 | A-76; A-109; A-239 | \$5,158 |
| 01509ST3QIE286TC-W22 | A-66; A-101 | \$6,942 |
| 01509ST3QIE286T-W22 | A-63; A-98 | \$6,742 |
| 01509XT3E286T | A-116 | \$7,102 |
| 01512EG3E284T-W22 | A-80 | \$3,620 |
| 01512ES3EOW284T-W22 | A-261 | \$2,679 |
| 01512ET3E284JM-W22 | A-203 | \$3,912 |
| 01512ET3E284JP-W22 | A-207 | \$3,972 |
| 01512ET3E284TC-W22 | A-44 | \$3,388 |

| Part Number | Page(s) | Price |
|----------------------|--------------------|---------|
| 01512ET3E284TS-W22 | A-36; A-87 | \$3,291 |
| 01512ET3E284TS-W22G | A-173 | \$3,601 |
| 01512ET3E284T-W22 | A-36; A-87 | \$3,291 |
| 01512ET3E284T-W22G | A-173 | \$3,601 |
| 01512ET3ECT284T-W22 | A-181 | \$3,850 |
| 01512ET3EPM284/6Y-W2 | A-189 | \$3,652 |
| 01512ET3H284TC-W22 | A-44; A-93 | \$3,388 |
| 01512ET3H284TS-W22 | A-36; A-87 | \$3,291 |
| 01512ET3H284TS-W22G | A-173 | \$3,601 |
| 01512ET3H284T-W22 | A-36; A-87 | \$3,291 |
| 01512ET3PCT284T-W22 | A-181 | \$3,850 |
| 01512ET3Y180L-W22 | A-76; A-109; A-239 | \$3,884 |
| 015120T3E284JM-W40 | A-212 | \$3,164 |
| 015120T3E284JVP-W40 | A-218 | \$3,399 |
| 015120T3E284JP-W40 | A-215 | \$3,163 |
| 015120T3E284TC-W40 | A-57 | \$2,497 |
| 015120T3E284T-W40 | A-51; A-264 | \$2,412 |
| 015120T3E284T-W40G | A-177 | \$2,722 |
| 015120T3H284TC-W40 | A-57 | \$2,497 |
| 015120T3H284T-W40 | A-51 | \$2,412 |
| 01512ST3HIE284T-W22 | A-63; A-98 | \$4,203 |
| 01512ST3QIE284TC-W22 | A-66; A-101 | \$4,403 |
| 01512ST3QIE284T-W22 | A-63; A-98 | \$4,203 |
| 01512XT3E284T | A-116 | \$4,048 |
| 01512XT3H284T | A-116 | \$4,048 |
| 01515EP30FP254T-W22 | A-230 | \$1,811 |
| 01518AT3ECT254TF1-W2 | A-184 | \$2,186 |
| 01518AT3ECT254T-W22 | A-184 | \$2,186 |
| 01518AT3HCT254TF1-W2 | A-184 | \$2,186 |
| 01518AT3HCT254T-W22 | A-184 | \$2,186 |
| 01518AT3PCT254TF1-W2 | A-184 | \$2,186 |
| 01518AT3PCT254T-W22 | A-184 | \$2,186 |
| 01518EG3E254T-W22 | A-80 | \$2,033 |
| 01518ET3E254HP-W22 | A-233 | \$2,463 |
| 01518ET3E254JM-S | A-203 | \$2,609 |
| 01518ET3E254JM-SG | A-220 | \$2,933 |
| 01518ET3E254JM-W22 | A-204 | \$2,609 |
| 01518ET3E254JP-S | A-207 | \$2,653 |
| 01518ET3E254JP-SG | A-221 | \$2,933 |
| 01518ET3E254JP-W22 | A-207 | \$2,653 |
| 01518ET3E254TC-SG | A-173 | \$1,950 |
| 01518ET3E254TC-W22 | A-44; A-93 | \$1,917 |
| 01518ET3E254T-S | A-36; A-87 | \$1,610 |
| 01518ET3E254T-SG | A-173 | \$1,890 |
| 01518ET3E254T-W22 | A-36; A-87 | \$1,848 |
| 01518ET3EBM254T-S | A-71; A-269 | \$6,985 |
| 01518ET3EBM254T-W22 | A-69; A-267 | \$5,205 |
| 01518ET3ECT254TF1-W2 | A-181 | \$2,122 |
| 01518ET3ECT254T-W22 | A-181 | \$2,122 |
| 01518ET3EID254TC-W22 | A-255 | \$1,996 |

| Part Number | Page(s) | Price |
|----------------------|--------------------|---------|
| 01518ET3ER254TC-S | A-47 | \$1,670 |
| 01518ET3ER254TC-W22 | A-47; A-95 | \$1,975 |
| 01518ET3H254JM-S | A-204 | \$2,609 |
| 01518ET3H254JM-SG | A-220 | \$2,933 |
| 01518ET3H254JM-W22 | A-204 | \$2,609 |
| 01518ET3H254JP-S | A-207 | \$2,653 |
| 01518ET3H254JP-W22 | A-207 | \$2,653 |
| 01518ET3H254TC-S | A-44; A-93 | \$1,670 |
| 01518ET3H254TC-W22 | A-44; A-93 | \$1,917 |
| 01518ET3H254T-S | A-36 | \$1,610 |
| 01518ET3H254T-SG | A-173 | \$1,890 |
| 01518ET3H254T-W22 | A-36; A-87 | \$1,848 |
| 01518ET3HBM254T-W22 | A-69; A-267 | \$5,205 |
| 01518ET3HCT254TF1-W2 | A-181 | \$2,122 |
| 01518ET3HCT254T-W22 | A-181 | \$2,122 |
| 01518ET3HR254TC-S | A-47 | \$1,670 |
| 01518ET3P254T-S | A-36 | \$1,610 |
| 01518ET3P254T-W22 | A-36; A-87 | \$1,848 |
| 01518ET3PCT254TF1-W2 | A-181 | \$2,122 |
| 01518ET3PCT254T-W22 | A-181 | \$2,122 |
| 01518ET3V254JM-S | A-204 | \$2,609 |
| 01518ET3V254JP-S | A-207 | \$2,653 |
| 01518ET3V254T-SG | A-173 | \$1,890 |
| 01518ET3Y160LFF-W22 | A-78; A-241 | \$2,235 |
| 01518ET3Y160L-W22 | A-76; A-109; A-239 | \$2,118 |
| 01518NT3FVD254TC-W22 | A-107; A-258 | \$2,567 |
| 015180P3EFP254JPV-S | A-229 | \$1,847 |
| 015180P3VFP254JPV-S | A-229 | \$1,847 |
| 015180T3E254JM-S | A-212 | \$1,995 |
| 015180T3E254JM-SG | A-222 | \$2,275 |
| 015180T3E254JMV-S | A-214 | \$2,147 |
| 015180T3E254JM-W40 | A-212 | \$1,995 |
| 015180T3E254JP-S | A-215 | \$1,995 |
| 015180T3E254JP-SG | A-223 | \$2,275 |
| 015180T3E254JP-W40 | A-216 | \$1,995 |
| 015180T3E254TC-S | A-57 | \$1,545 |
| 015180T3E254TC-SG | A-177 | \$1,825 |
| 015180T3E254TC-W40 | A-57 | \$1,545 |
| 015180T3E254T-S | A-51 | \$1,477 |
| 015180T3E254T-SG | A-177 | \$1,757 |
| 015180T3E254T-W40 | A-51 | \$1,477 |
| 015180T3ECD254T* | A-264 | \$1,507 |
| 015180T3ECD254T-W40 | A-264 | \$1,507 |
| 015180T3H254JM-S | A-212 | \$1,995 |
| 015180T3H254JM-SG | A-222 | \$2,275 |
| 015180T3H254JM-W40 | A-212 | \$1,995 |
| 015180T3H254JP-S | A-216 | \$1,995 |
| 015180T3H254JP-W40 | A-216 | \$1,995 |
| 015180T3H254TC-S | A-57 | \$1,545 |
| 015180T3H254TC-W40 | A-57 | \$1,545 |
| 015180T3H254T-S | A-51; A-264 | \$1,477 |

| Part Number | Page(s) | Price |
|----------------------|-------------|---------|
| 015180T3H254T-SG | A-177 | \$1,757 |
| 015180T3H254T-W40 | A-51 | \$1,477 |
| 015180T3HCD254T* | A-264 | \$1,507 |
| 015180T3HCD254T-W40 | A-264 | \$1,507 |
| 015180T3P254T-S | A-51; A-264 | \$1,477 |
| 015180T3P254T-W40 | A-51 | \$1,477 |
| 015180T3PCD254T-W40 | A-264 | \$1,507 |
| 015180T3V254JM-S | A-212 | \$1,995 |
| 015180T3V254JM-W40 | A-212 | \$1,995 |
| 015180T3V254JPV-S | A-218 | \$2,093 |
| 015180T3V254TC-S | A-57 | \$1,545 |
| 015180T3V254TC-W40 | A-57 | \$1,545 |
| 015180T3V254T-S | A-51; A-264 | \$1,477 |
| 015180T3V254T-SG | A-177 | \$1,757 |
| 01518ST3HIE254T-W22 | A-63; A-98 | \$2,257 |
| 01518ST3QIE254TC-W22 | A-66; A-101 | \$2,377 |
| 01518ST3QIE254T-W22 | A-63; A-98 | \$2,257 |
| 01518XT3E254T | A-116 | \$2,653 |
| 01518XT3E254TC | A-119 | \$2,976 |
| 01518XT3ER254TC | A-120 | \$3,029 |
| 01518XT3H254T | A-116 | \$2,653 |
| 01518XT3H254TC | A-119 | \$2,976 |
| 01526EP3HCT286VF1-W2 | A-185 | \$3,274 |
| 01526EP3HCT286V-W22 | A-185 | \$3,274 |
| 01526EP3PCT286VF1-W2 | A-186 | \$3,274 |
| 01526EP3PCT286V-W22 | A-186 | \$3,274 |
| 01526EP3QCT286VF1-W2 | A-186 | \$3,274 |
| 01526EP3QCT286V-W22 | A-186 | \$3,274 |
| 01530EP3OFP254T-W22 | A-230 | \$1,788 |
| 01536AP1DGD215TZ-S | A-254 | \$2,024 |
| 01536AP3EGD215TZ-S | A-254 | \$1,408 |
| 01536EG3E254T-W22 | A-80 | \$2,006 |
| 01536ET3E215HP-W22 | A-233 | \$2,240 |
| 01536ET3E215JM-S | A-204 | \$2,058 |
| 01536ET3E215JM-SG | A-220 | \$2,258 |
| 01536ET3E215JM-W22 | A-204 | \$2,058 |
| 01536ET3E215JP-S | A-207 | \$2,099 |
| 01536ET3E215JP-W22 | A-207 | \$2,099 |
| 01536ET3E215TC-W22 | A-44 | \$1,748 |
| 01536ET3E215T-W22 | A-36 | \$1,697 |
| 01536ET3E254HP-W22 | A-233 | \$2,462 |
| 01536ET3E254JM-S | A-204 | \$2,214 |
| 01536ET3E254JM-SG | A-220 | \$2,909 |
| 01536ET3E254JM-W22 | A-204 | \$2,214 |
| 01536ET3E254JP-S | A-207 | \$2,629 |
| 01536ET3E254JP-SG | A-221 | \$2,909 |
| 01536ET3E254JP-W22 | A-207 | \$2,629 |
| 01536ET3E254TC-SG | A-173 | \$1,929 |
| 01536ET3E254TC-W22 | A-44; A-93 | \$1,893 |
| 01536ET3E254T-S | A-36; A-87 | \$1,589 |
| 01536ET3E254T-SG | A-173 | \$1,869 |

| Part Number | Page(s) | Price |
|---------------------|--------------------|---------|
| 01536ET3E254T-W22 | A-36; A-87 | \$1,824 |
| 01536ET3EBM254T-W22 | A-69; A-267 | \$4,745 |
| 01536ET3ER254TC-S | A-47; A-95 | \$1,649 |
| 01536ET3ER254TC-W22 | A-47 | \$1,950 |
| 01536ET3H215JM-S | A-204 | \$2,058 |
| 01536ET3H215JM-SG | A-220 | \$2,258 |
| 01536ET3H215JM-W22 | A-204 | \$2,058 |
| 01536ET3H215JP-S | A-207 | \$2,099 |
| 01536ET3H254JM-S | A-204 | \$2,214 |
| 01536ET3H254JM-SG | A-220 | \$2,909 |
| 01536ET3H254JM-W22 | A-204 | \$2,214 |
| 01536ET3H254JP-W22 | A-207 | \$2,629 |
| 01536ET3H254TC-S | A-44; A-93 | \$1,649 |
| 01536ET3H254TC-W22 | A-44; A-93 | \$1,893 |
| 01536ET3H254T-S | A-36 | \$1,589 |
| 01536ET3H254T-SG | A-173 | \$1,869 |
| 01536ET3H254T-W22 | A-36; A-87 | \$1,824 |
| 01536ET3V215JM-S | A-204 | \$2,058 |
| 01536ET3V254JM-S | A-204 | \$2,214 |
| 01536ET3V254JP-S | A-207 | \$2,629 |
| 01536ET3Y160M-W22 | A-76; A-109; A-239 | \$2,413 |
| 015360P3EFP215JMV-S | A-228 | \$1,617 |
| 015360P3EFP215JPV-S | A-229 | \$1,617 |
| 015360P3EFP215TC-S | A-227 | \$1,283 |
| 015360P3HFP215JMV-S | A-228 | \$1,617 |
| 015360P3HFP215JPV-S | A-229 | \$1,617 |
| 015360P3VFP215JMV-S | A-228 | \$1,617 |
| 015360P3VFP215JPV-S | A-229 | \$1,617 |
| 015360P3VFP215TC-S | A-227 | \$1,283 |
| 015360T3E215JM-S | A-212 | \$1,707 |
| 015360T3E215JM-SG | A-222 | \$1,907 |
| 015360T3E215JMV-S | A-214 | \$1,789 |
| 015360T3E215JP-S | A-216 | \$1,707 |
| 015360T3E215JP-SG | A-223 | \$1,907 |
| 015360T3E215JPV-S | A-218 | \$1,789 |
| 015360T3E215TC-S | A-57 | \$1,543 |
| 015360T3E215TC-SG | A-177 | \$1,743 |
| 015360T3E215T-S | A-51 | \$1,492 |
| 015360T3E215T-SG | A-177 | \$1,692 |
| 015360T3H215JM-S | A-212 | \$1,707 |
| 015360T3H215JM-SG | A-222 | \$1,907 |
| 015360T3H215JMV-S | A-214 | \$1,789 |
| 015360T3H215JP-S | A-216 | \$1,707 |
| 015360T3H215JP-SG | A-223 | \$1,907 |
| 015360T3H215JPV-S | A-218 | \$1,789 |
| 015360T3H215TC-S | A-57 | \$1,543 |
| 015360T3H215T-S | A-51 | \$1,492 |
| 015360T3V215JM-S | A-212 | \$1,707 |
| 015360T3V215JMV-S | A-214 | \$1,789 |
| 015360T3V215JP-S | A-216 | \$1,707 |
| 015360T3V215JPV-S | A-218 | \$1,789 |

| Part Number | Page(s) | Price |
|----------------------|--------------------|---------|
| 015360T3V215TC-S | A-57 | \$1,543 |
| 01536ST3HIE254T-W22 | A-63; A-98 | \$2,428 |
| 01536ST3QIE254TC-W22 | A-66; A-101 | \$2,548 |
| 01536ST3QIE254T-W22 | A-63; A-98 | \$2,428 |
| 01536XT3E254T | A-116 | \$2,387 |
| 01536XT3E254TC | A-119 | \$2,490 |
| 01536XT3H254T | A-116 | \$2,387 |
| 01589EP3HCT254VF1-W2 | A-186 | \$2,572 |
| 01589EP3HCT254V-W22 | A-186 | \$2,572 |
| 01589EP3PCT254VF1-W2 | A-186 | \$2,572 |
| 01589EP3PCT254V-W22 | A-186 | \$2,572 |
| 01589EP3PCT284V2F1-W | A-186 | \$3,878 |
| 01589EP3PCT284V2-W22 | A-186 | \$3,878 |
| 01589EP3QCT254VF1-W2 | A-186 | \$2,572 |
| 01589EP3QCT254V-W22 | A-186 | \$2,572 |
| 01589EP3QCT284V2F1-W | A-186 | \$3,878 |
| 01589EP3QCT284V2-W22 | A-186 | \$3,878 |
| 01809ET3Y225S/M-W22 | A-76; A-109; A-239 | \$5,902 |
| 01812ET3Y200L-W22 | A-76; A-109; A-239 | \$4,886 |
| 01818ET3Y180M-W22 | A-76; A-109; A-239 | \$2,689 |
| 01836ET3Y160L-W22 | A-76; A-109; A-239 | \$2,925 |
| 02009ES3EOW326T-W22 | A-261 | \$4,872 |
| 02009ET3E286T-W22 | A-36 | \$5,854 |
| 02009ET3E324T-W22 | A-36; A-87 | \$6,339 |
| 02009ET3H324T-W22 | A-36; A-87 | \$6,339 |
| 02009ST3QIE324TC-W22 | A-66; A-101 | \$8,494 |
| 02009ST3QIE324T-W22 | A-63; A-98 | \$8,269 |
| 02009XT3E324T | A-116 | \$8,390 |
| 02012EG3E286T-W22 | A-80 | \$4,358 |
| 02012ES3EOW286T-W22 | A-261 | \$3,162 |
| 02012ET3E286JM-W22 | A-204 | \$4,940 |
| 02012ET3E286JP-W22 | A-207 | \$5,015 |
| 02012ET3E286TC-W22 | A-44 | \$4,060 |
| 02012ET3E286T-W22 | A-36; A-87 | \$3,962 |
| 02012ET3E286T-W22G | A-173 | \$4,272 |
| 02012ET3ECT286T-W22 | A-181 | \$4,635 |
| 02012ET3EPM284/6Y-W2 | A-189 | \$4,437 |
| 02012ET3H286T-W22 | A-36; A-87 | \$3,962 |
| 02012ET3H286T-W22G | A-173 | \$4,272 |
| 02012ET3PCT286T-W22 | A-181 | \$4,635 |
| 020120T3E286JM-W40 | A-212 | \$3,872 |
| 020120T3E286JP-W40 | A-216 | \$3,871 |
| 020120T3E286TC-W40 | A-57 | \$3,119 |
| 020120T3E286T-W40 | A-51 | \$3,034 |
| 020120T3E286T-W40G | A-177 | \$3,344 |
| 020120T3H286TC-W40 | A-57 | \$3,119 |
| 020120T3H286T-W40 | A-51 | \$3,034 |
| 02012ST3HIE286T-W22 | A-63; A-98 | \$4,773 |
| 02012ST3QIE286TC-W22 | A-66; A-101 | \$4,973 |
| 02012ST3QIE286T-W22 | A-63; A-98 | \$4,773 |
| 02012XT3E286T | A-116 | \$4,444 |

| Part Number | Page(s) | Price |
|----------------------|--------------|---------|
| 02012XT3H286T | A-116 | \$4,444 |
| 02015EP30FP256T-W22 | A-231 | \$2,157 |
| 02018AT3ECT256TF1-W2 | A-184 | \$2,625 |
| 02018AT3ECT256T-W22 | A-184 | \$2,625 |
| 02018AT3HCT256TF1-W2 | A-184 | \$2,625 |
| 02018AT3HCT256T-W22 | A-184 | \$2,625 |
| 02018AT3PCT256TF1-W2 | A-184 | \$2,625 |
| 02018AT3PCT256T-W22 | A-184 | \$2,625 |
| 02018EG3E256T-W22 | A-80 | \$2,421 |
| 02018ET3E256HP-W22 | A-233 | \$2,721 |
| 02018ET3E256JM-S | A-204 | \$2,857 |
| 02018ET3E256JM-SG | A-220 | \$3,188 |
| 02018ET3E256JM-W22 | A-204 | \$2,857 |
| 02018ET3E256JP-S | A-207 | \$2,908 |
| 02018ET3E256JP-SG | A-221 | \$3,188 |
| 02018ET3E256JP-W22 | A-208 | \$2,908 |
| 02018ET3E256TC-SG | A-173 | \$2,258 |
| 02018ET3E256TC-W22 | A-44; A-93 | \$2,270 |
| 02018ET3E256T-S | A-36; A-87 | \$1,918 |
| 02018ET3E256T-SG | A-173 | \$2,198 |
| 02018ET3E256T-W22 | A-36; A-87 | \$2,201 |
| 02018ET3EBM256T-S | A-71; A-269 | \$9,080 |
| 02018ET3EBM256T-W22 | A-69; A-267 | \$5,771 |
| 02018ET3ECT256TF1-W2 | A-181 | \$2,549 |
| 02018ET3ECT256T-W22 | A-181 | \$2,549 |
| 02018ET3EID256TC-W22 | A-255 | \$2,349 |
| 02018ET3ER256TC-S | A-47 | \$1,978 |
| 02018ET3ER256TC-W22 | A-47; A-95 | \$2,338 |
| 02018ET3H256JM-S | A-204 | \$2,857 |
| 02018ET3H256JM-SG | A-220 | \$3,188 |
| 02018ET3H256JM-W22 | A-204 | \$2,857 |
| 02018ET3H256JP-S | A-208 | \$2,908 |
| 02018ET3H256JP-W22 | A-208 | \$2,908 |
| 02018ET3H256TC-S | A-44; A-94 | \$1,978 |
| 02018ET3H256TC-W22 | A-44; A-94 | \$2,270 |
| 02018ET3H256T-S | A-36 | \$1,918 |
| 02018ET3H256T-SG | A-173 | \$2,198 |
| 02018ET3H256T-W22 | A-36; A-87 | \$2,201 |
| 02018ET3HCT256TF1-W2 | A-181 | \$2,549 |
| 02018ET3HCT256T-W22 | A-181 | \$2,549 |
| 02018ET3P256T-W22 | A-36 | \$2,201 |
| 02018ET3PCT256TF1-W2 | A-181 | \$2,549 |
| 02018ET3PCT256T-W22 | A-181 | \$2,549 |
| 02018ET3V256JM-S | A-204 | \$2,857 |
| 02018ET3V256JP-S | A-208 | \$2,908 |
| 02018ET3V256T-SG | A-173 | \$2,198 |
| 02018NT3FVD256TC-W22 | A-107; A-258 | \$3,747 |
| 02018OP3EFP256JPV-S | A-229 | \$2,205 |
| 02018OP3EFP256T-W40 | A-223 | \$1,526 |
| 02018OT3E256JM-S | A-212 | \$2,413 |
| 02018OT3E256JM-SG | A-222 | \$2,693 |

| Part Number | Page(s) | Price |
|----------------------|-------------|---------|
| 02018OT3E256JMV-S | A-214 | \$2,580 |
| 02018OT3E256JM-W40 | A-212 | \$2,413 |
| 02018OT3E256JP-S | A-216 | \$2,413 |
| 02018OT3E256JP-SG | A-223 | \$2,693 |
| 02018OT3E256JPV-S | A-218 | \$2,580 |
| 02018OT3E256JP-W40 | A-216 | \$2,413 |
| 02018OT3E256TC-S | A-58 | \$1,900 |
| 02018OT3E256TC-SG | A-177 | \$2,180 |
| 02018OT3E256TC-W40 | A-58 | \$1,900 |
| 02018OT3E256T-S | A-52 | \$1,832 |
| 02018OT3E256T-SG | A-177 | \$2,112 |
| 02018OT3E256T-W40 | A-52 | \$1,832 |
| 02018OT3ECD256T* | A-264 | \$1,869 |
| 02018OT3ECD256T-W40 | A-264 | \$1,869 |
| 02018OT3H256JM-S | A-212 | \$2,413 |
| 02018OT3H256JM-SG | A-222 | \$2,693 |
| 02018OT3H256JM-W40 | A-212 | \$2,413 |
| 02018OT3H256JP-S | A-216 | \$2,413 |
| 02018OT3H256JP-W40 | A-216 | \$2,413 |
| 02018OT3H256TC-S | A-58 | \$1,900 |
| 02018OT3H256TC-W40 | A-58 | \$1,900 |
| 02018OT3H256T-S | A-52; A-264 | \$1,832 |
| 02018OT3H256T-SG | A-177 | \$2,112 |
| 02018OT3H256T-W40 | A-52 | \$1,832 |
| 02018OT3P256T-S | A-52 | \$1,832 |
| 02018OT3P256T-W40 | A-52 | \$1,832 |
| 02018OT3V256TC-S | A-58 | \$1,900 |
| 02018OT3V256TC-SG | A-177 | \$2,180 |
| 02018OT3V256TC-W40 | A-58 | \$1,900 |
| 02018OT3V256T-S | A-52 | \$1,832 |
| 02018OT3V256T-SG | A-177 | \$2,112 |
| 02018ST3HIE256T-W22 | A-63; A-98 | \$2,597 |
| 02018ST3QIE256TC-W22 | A-66; A-101 | \$2,717 |
| 02018ST3QIE256T-W22 | A-63; A-98 | \$2,597 |
| 02018XT3E256T | A-116 | \$3,008 |
| 02018XT3E256TC | A-119 | \$3,331 |
| 02018XT3ER256TC | A-120 | \$3,391 |
| 02018XT3H256T | A-116 | \$3,008 |
| 02018XT3H256TC | A-119 | \$3,111 |
| 02026EP3QCT324V-W22 | A-186 | \$4,101 |
| 02030EP30FP256T-W22 | A-231 | \$2,334 |
| 02036EG3E256T-W22 | A-80 | \$2,620 |
| 02036ET3E254HP-W22 | A-233 | \$2,738 |
| 02036ET3E256HP-W22 | A-233 | \$2,955 |
| 02036ET3E256JM-S | A-204 | \$2,965 |
| 02036ET3E256JM-SG | A-220 | \$3,298 |
| 02036ET3E256JM-W22 | A-204 | \$2,965 |
| 02036ET3E256JP-S | A-208 | \$3,018 |
| 02036ET3E256JP-SG | A-221 | \$3,298 |
| 02036ET3E256JP-W22 | A-208 | \$3,018 |

| Part Number | Page(s) | Price |
|----------------------|-------------|---------|
| 02036ET3E256TC-SG | A-173 | \$2,416 |
| 02036ET3E256TC-W22 | A-44 | \$2,451 |
| 02036ET3E256T-S | A-36; A-87 | \$2,076 |
| 02036ET3E256T-SG | A-173 | \$2,356 |
| 02036ET3E256T-W22 | A-36; A-87 | \$2,382 |
| 02036ET3EBM256T-W22 | A-69; A-267 | \$5,768 |
| 02036ET3ER256TC-S | A-47 | \$2,136 |
| 02036ET3ER256TC-W22 | A-47; A-95 | \$2,525 |
| 02036ET3H256JM-S | A-204 | \$2,965 |
| 02036ET3H256JM-SG | A-220 | \$3,298 |
| 02036ET3H256JM-W22 | A-204 | \$2,965 |
| 02036ET3H256JP-S | A-208 | \$3,018 |
| 02036ET3H256JP-W22 | A-208 | \$3,018 |
| 02036ET3H256TC-S | A-44; A-94 | \$2,136 |
| 02036ET3H256TC-W22 | A-44; A-94 | \$2,451 |
| 02036ET3H256T-S | A-36 | \$2,076 |
| 02036ET3H256T-SG | A-173 | \$2,356 |
| 02036ET3H256T-W22 | A-36; A-87 | \$2,382 |
| 02036ET3V256JM-S | A-204 | \$2,965 |
| 02036OP3EFP254JMV-S | A-228 | \$2,092 |
| 02036OP3EFP254JPV-S | A-229 | \$2,092 |
| 02036OP3EFP254TC-S | A-227 | \$1,469 |
| 02036OP3EFP254TC-W40 | A-227 | \$1,469 |
| 02036OP3EFP254T-W40 | A-223 | \$1,469 |
| 02036OP3HFP254JMV-S | A-228 | \$2,092 |
| 02036OP3HFP254JPV-S | A-229 | \$2,092 |
| 02036OP3HFP254TC-S | A-227 | \$1,469 |
| 02036OP3HFP254TC-W40 | A-227 | \$1,469 |
| 02036OP3VFP254JMV-S | A-228 | \$2,092 |
| 02036OP3VFP254JPV-S | A-229 | \$2,092 |
| 02036OP3VFP254TC-S | A-227 | \$1,469 |
| 02036OP3VFP254TC-W40 | A-227 | \$1,469 |
| 02036OT3E254JM-S | A-212 | \$2,107 |
| 02036OT3E254JM-SG | A-222 | \$2,387 |
| 02036OT3E254JMV-S | A-214 | \$2,205 |
| 02036OT3E254JM-W40 | A-212 | \$2,107 |
| 02036OT3E254JP-S | A-216 | \$2,106 |
| 02036OT3E254JP-SG | A-223 | \$2,387 |
| 02036OT3E254JPV-S | A-218 | \$2,204 |
| 02036OT3E254JP-W40 | A-216 | \$2,106 |
| 02036OT3E254TC-S | A-58 | \$1,828 |
| 02036OT3E254TC-SG | A-177 | \$2,108 |
| 02036OT3E254TC-W40 | A-58 | \$1,828 |
| 02036OT3E254T-S | A-52 | \$1,760 |
| 02036OT3E254T-SG | A-177 | \$2,040 |
| 02036OT3E254T-W40 | A-52 | \$1,760 |
| 02036OT3ECD254T-W40 | A-264 | \$1,795 |
| 02036OT3H254JM-S | A-212 | \$2,107 |
| 02036OT3H254JM-SG | A-222 | \$2,387 |
| 02036OT3H254JMV-S | A-214 | \$2,205 |
| 02036OT3H254JM-W40 | A-212 | \$2,107 |

| Part Number | Page(s) | Price |
|----------------------|--------------------|----------|
| 02036OT3H254JP-S | A-216 | \$2,106 |
| 02036OT3H254JPV-S | A-218 | \$2,204 |
| 02036OT3H254JP-W40 | A-216 | \$2,106 |
| 02036OT3H254TC-S | A-58 | \$1,828 |
| 02036OT3H254TC-W40 | A-58 | \$1,828 |
| 02036OT3H254T-S | A-52; A-264 | \$1,760 |
| 02036OT3H254T-W40 | A-52 | \$1,760 |
| 02036OT3V254JM-S | A-212 | \$2,107 |
| 02036OT3V254JMV-S | A-214 | \$2,205 |
| 02036OT3V254JM-W40 | A-212 | \$2,107 |
| 02036OT3V254JP-S | A-216 | \$2,106 |
| 02036OT3V254JPV-S | A-218 | \$2,204 |
| 02036OT3V254JP-W40 | A-216 | \$2,106 |
| 02036ST3HIE256T-W22 | A-63; A-98 | \$2,957 |
| 02036ST3QIE256TC-W22 | A-66; A-101 | \$3,077 |
| 02036ST3QIE256T-W22 | A-63; A-98 | \$2,957 |
| 02036XT3E256T | A-116 | \$3,083 |
| 02036XT3H256T | A-116 | \$3,083 |
| 02089EP3HCT256VF1-W2 | A-186 | \$2,923 |
| 02089EP3HCT256V-W22 | A-186 | \$2,923 |
| 02089EP3PCT256VF1-W2 | A-186 | \$2,923 |
| 02089EP3PCT256V-W22 | A-186 | \$2,923 |
| 02089EP3PCT286V2F1-W | A-186 | \$4,827 |
| 02089EP3PCT286V2-W22 | A-186 | \$4,827 |
| 02089EP3QCT256VF1-W2 | A-186 | \$2,923 |
| 02089EP3QCT256V-W22 | A-186 | \$2,923 |
| 02089EP3QCT286V2F1-W | A-186 | \$4,827 |
| 02089EP3QCT286V2-W22 | A-186 | \$4,827 |
| 02209ET3Y225S/M-W22 | A-76; A-109; A-239 | \$7,506 |
| 02212ET3Y200L-W22 | A-76; A-109; A-239 | \$4,924 |
| 02218ET3Y180L-W22 | A-76; A-109; A-239 | \$3,225 |
| 02236ET3Y180M-W22 | A-76; A-109; A-239 | \$3,492 |
| 02509ET3E326T-W22 | A-36 | \$7,315 |
| 02509ET3H326T-W22 | A-36; A-87 | \$7,315 |
| 02509ST3QIE326TC-W22 | A-66; A-101 | \$9,063 |
| 02509ST3QIE326T-W22 | A-63; A-98 | \$8,838 |
| 02509XT3E326T | A-116 | \$10,512 |
| 02512AT3ECT324TF1-W2 | A-184 | \$5,709 |
| 02512AT3HCT324TF1-W2 | A-184 | \$5,709 |
| 02512EG3E324T-W22 | A-80 | \$5,211 |
| 02512ES3EOW324T-W22 | A-261 | \$3,887 |
| 02512ET3E324JM-W22 | A-204 | \$5,546 |
| 02512ET3E324JP-W22 | A-208 | \$5,972 |
| 02512ET3E324TC-W22 | A-44 | \$4,858 |
| 02512ET3E324T-W22 | A-36; A-88 | \$4,737 |
| 02512ET3E324T-W22G | A-173 | \$5,137 |
| 02512ET3ECT324T-W22 | A-181 | \$5,543 |
| 02512ET3EPM324/6Y-W2 | A-189 | \$5,353 |
| 02512ET3H324T-W22 | A-36; A-88 | \$4,737 |
| 02512ET3H324T-W22G | A-173 | \$5,137 |
| 02512ET3PCT324T-W22 | A-181 | \$5,543 |

| Part Number | Page(s) | Price |
|----------------------|-------------|---------|
| 025120T3E324JM-W40 | A-212 | \$4,306 |
| 025120T3E324JP-W40 | A-216 | \$4,306 |
| 025120T3E324TC-W40 | A-58 | \$3,619 |
| 025120T3E324T-W40 | A-52 | \$3,519 |
| 025120T3E324T-W40G | A-177 | \$3,919 |
| 02512ST3HIE324T-W22 | A-63; A-98 | \$5,211 |
| 02512ST3QIE324TC-W22 | A-66; A-101 | \$5,436 |
| 02512ST3QIE324T-W22 | A-63; A-98 | \$5,211 |
| 02512XT3E324T | A-116 | \$5,375 |
| 02512XT3H324T | A-116 | \$5,375 |
| 02515EP30FP284TS-W22 | A-231 | \$2,688 |
| 02518AT3ECT284TF1-W2 | A-184 | \$3,333 |
| 02518AT3ECT284T-W22 | A-184 | \$3,333 |
| 02518AT3HCT284TF1-W2 | A-184 | \$3,333 |
| 02518AT3HCT284T-W22 | A-184 | \$3,333 |
| 02518AT3PCT284TF1-W2 | A-184 | \$3,333 |
| 02518AT3PCT284T-W22 | A-184 | \$3,333 |
| 02518EG3E284T-W22 | A-80 | \$3,017 |
| 02518ET3E284HPH-W22 | A-233 | \$3,624 |
| 02518ET3E284HP-W22 | A-233 | \$3,624 |
| 02518ET3E284JM-W22 | A-204 | \$3,734 |
| 02518ET3E284JP-W22 | A-208 | \$3,797 |
| 02518ET3E284TC-W22 | A-44; A-94 | \$2,840 |
| 02518ET3E284TS-W22 | A-36; A-88 | \$2,743 |
| 02518ET3E284T-W22 | A-36; A-88 | \$2,743 |
| 02518ET3E284T-W22G | A-173 | \$3,053 |
| 02518ET3EBM284T-W22 | A-69; A-267 | \$6,796 |
| 02518ET3ECT284TF1-W2 | A-181 | \$3,236 |
| 02518ET3ECT284T-W22 | A-181 | \$3,236 |
| 02518ET3EID284TC-W22 | A-255 | \$2,947 |
| 02518ET3EPM284/6Y-W2 | A-189 | \$3,071 |
| 02518ET3ER284TC-W22 | A-47 | \$2,925 |
| 02518ET3H284JM-W22 | A-204 | \$3,734 |
| 02518ET3H284JP-W22 | A-208 | \$3,797 |
| 02518ET3H284TC-W22 | A-44; A-94 | \$2,840 |
| 02518ET3H284T-W22 | A-36; A-88 | \$2,743 |
| 02518ET3H284T-W22G | A-173 | \$3,053 |
| 02518ET3HCT284TF1-W2 | A-181 | \$3,236 |
| 02518ET3HCT284T-W22 | A-181 | \$3,236 |
| 02518ET3PCT284TF1-W2 | A-181 | \$3,236 |
| 02518ET3PCT284T-W22 | A-181 | \$3,236 |
| 02518ET3V284T-W22G | A-173 | \$3,053 |
| 025180P3EFP284JPV-W4 | A-229 | \$2,768 |
| 025180P3EFP284TS-W40 | A-225 | \$1,799 |
| 025180P3VFP284TS-W40 | A-225 | \$1,799 |
| 025180T3E284JMV-W40 | A-214 | \$3,137 |
| 025180T3E284JM-W40 | A-212 | \$2,912 |
| 025180T3E284JP-G | A-223 | \$3,221 |
| 025180T3E284JPV-W40 | A-218 | \$3,137 |
| 025180T3E284JP-W40 | A-216 | \$2,911 |
| 025180T3E284TC-W40 | A-58 | \$2,245 |

| Part Number | Page(s) | Price |
|----------------------|-------------|---------|
| 025180T3E284TC-W40G | A-177 | \$2,555 |
| 025180T3E284TS-W40 | A-52 | \$2,160 |
| 025180T3E284T-W40 | A-52 | \$2,160 |
| 025180T3E284T-W40G | A-177 | \$2,470 |
| 025180T3H284JM-W40 | A-212 | \$2,912 |
| 025180T3H284JP-W40 | A-216 | \$2,911 |
| 025180T3H284TC-W40 | A-58 | \$2,245 |
| 025180T3H284TS-W40 | A-52 | \$2,160 |
| 025180T3H284T-W40 | A-52 | \$2,160 |
| 025180T3H284T-W40G | A-177 | \$2,470 |
| 025180T3P284T-W40 | A-52 | \$2,160 |
| 025180T3V284TC-W40 | A-58 | \$2,245 |
| 025180T3V284TS-W40 | A-52 | \$2,160 |
| 025180T3V284T-W40G | A-177 | \$2,470 |
| 02518ST3HIE284T-W22 | A-63; A-98 | \$2,926 |
| 02518ST3QIE284TC-W22 | A-66; A-101 | \$3,126 |
| 02518ST3QIE284T-W22 | A-63; A-98 | \$2,926 |
| 02518XT3E284T | A-116 | \$3,886 |
| 02518XT3E284TC | A-119 | \$4,262 |
| 02518XT3ER284TC | A-120 | \$4,340 |
| 02518XT3H284T | A-116 | \$3,886 |
| 02518XT3H284TC | A-119 | \$4,262 |
| 02526EP30CT326V-W22 | A-186 | \$6,222 |
| 02530EP30FP284TS-W22 | A-231 | \$2,938 |
| 02536EG3E284TS-W22 | A-80 | \$3,298 |
| 02536ET3E256HP-W22 | A-233 | \$3,336 |
| 02536ET3E256JM-S | A-204 | \$3,231 |
| 02536ET3E256JM-W22 | A-204 | \$3,231 |
| 02536ET3E256JP-S | A-208 | \$3,296 |
| 02536ET3E256JP-W22 | A-208 | \$3,296 |
| 02536ET3E256T-S | A-36; A-88 | \$2,487 |
| 02536ET3E284HPH-W22 | A-233 | \$3,627 |
| 02536ET3E284HP-W22 | A-233 | \$3,627 |
| 02536ET3E284JM-W22 | A-204 | \$3,619 |
| 02536ET3E284JP-W22 | A-208 | \$3,679 |
| 02536ET3E284TSC-W22 | A-44; A-94 | \$3,096 |
| 02536ET3E284TS-W22 | A-36; A-88 | \$2,998 |
| 02536ET3E284TS-W22G | A-173 | \$3,308 |
| 02536ET3ER284TSC-W22 | A-47; A-95 | \$3,187 |
| 02536ET3H256JM-S | A-204 | \$3,231 |
| 02536ET3H256JM-W22 | A-204 | \$3,231 |
| 02536ET3H256JP-S | A-208 | \$3,296 |
| 02536ET3H256JP-W22 | A-208 | \$3,296 |
| 02536ET3H284JM-W22 | A-204 | \$3,619 |
| 02536ET3H284JP-W22 | A-208 | \$3,679 |
| 02536ET3H284TSC-W22 | A-44; A-94 | \$3,096 |
| 02536ET3H284TS-W22 | A-36 | \$2,998 |
| 02536ET3H284TS-W22G | A-173 | \$3,308 |
| 02536ET3V256JM-S | A-204 | \$3,231 |
| 025360P3EFP256JMV-S | A-228 | \$2,352 |
| 025360P3EFP256JPV-S | A-229 | \$2,518 |

| Part Number | Page(s) | Price |
|----------------------|-------------|---------|
| 025360P3EFP256TC-S | A-227 | \$1,783 |
| 025360P3EFP256TC-W40 | A-227 | \$1,783 |
| 025360P3EFP256T-S | A-225 | \$1,783 |
| 025360P3EFP256T-W40 | A-225 | \$1,783 |
| 025360P3HFP256JMV-S | A-228 | \$2,352 |
| 025360P3HFP256JPV-S | A-229 | \$2,518 |
| 025360P3HFP256T-S | A-225 | \$1,783 |
| 025360P3HFP256T-W40 | A-225 | \$1,783 |
| 025360P3VFP256JMV-S | A-228 | \$2,352 |
| 025360P3VFP256JPV-S | A-229 | \$2,518 |
| 025360P3VFP256TC-S | A-227 | \$1,783 |
| 025360P3VFP256TC-W40 | A-227 | \$1,783 |
| 025360P3VFP256T-S | A-225 | \$1,783 |
| 025360T3E256JM-S | A-212 | \$2,598 |
| 025360T3E256JM-SG | A-222 | \$2,879 |
| 025360T3E256JMV-S | A-214 | \$2,696 |
| 025360T3E256JM-W40 | A-212 | \$2,598 |
| 025360T3E256JP-S | A-216 | \$2,599 |
| 025360T3E256JP-SG | A-223 | \$2,879 |
| 025360T3E256JPV-S | A-218 | \$2,697 |
| 025360T3E256JP-W40 | A-216 | \$2,599 |
| 025360T3E256TC-S | A-58 | \$2,207 |
| 025360T3E256TC-SG | A-177 | \$2,487 |
| 025360T3E256TC-W40 | A-58 | \$2,207 |
| 025360T3E256T-S | A-52 | \$2,139 |
| 025360T3E256T-SG | A-177 | \$2,419 |
| 025360T3E256T-W40 | A-52 | \$2,139 |
| 025360T3ECD256T-W40 | A-264 | \$2,182 |
| 025360T3H256JM-S | A-212 | \$2,598 |
| 025360T3H256JM-SG | A-222 | \$2,879 |
| 025360T3H256JMV-S | A-214 | \$2,696 |
| 025360T3H256JM-W40 | A-212 | \$2,598 |
| 025360T3H256JP-S | A-216 | \$2,599 |
| 025360T3H256JPV-S | A-218 | \$2,697 |
| 025360T3H256JP-W40 | A-216 | \$2,599 |
| 025360T3H256TC-S | A-58 | \$2,207 |
| 025360T3H256TC-W40 | A-58 | \$2,207 |
| 025360T3H256T-S | A-52; A-264 | \$2,139 |
| 025360T3H256T-W40 | A-52 | \$2,139 |
| 025360T3V256JMV-S | A-214 | \$2,696 |
| 025360T3V256JP-S | A-216 | \$2,599 |
| 025360T3V256JPV-S | A-218 | \$2,697 |
| 025360T3V256JP-W40 | A-216 | \$2,599 |
| 02536ST3HIE284TS-W22 | A-63; A-98 | \$3,368 |
| 02536ST3QIE284TSC-W2 | A-66; A-101 | \$3,568 |
| 02536ST3QIE284TS-W22 | A-63; A-98 | \$3,368 |
| 02536XT3E284TS | A-116 | \$4,188 |
| 02536XT3H284TS | A-116 | \$4,188 |
| 02589EP3HCT286VF1-W2 | A-186 | \$4,199 |
| 02589EP3HCT286V-W22 | A-186 | \$4,199 |
| 02589EP3PCT286VF1-W2 | A-186 | \$4,199 |

| Part Number | Page(s) | Price |
|----------------------|--------------------|----------|
| 02589EP3PCT324V2F1-W | A-186 | \$5,826 |
| 02589EP3PCT324V2-W22 | A-186 | \$5,826 |
| 02589EP3QCT286VF1-W2 | A-186 | \$4,199 |
| 02589EP3QCT286V-W22 | A-186 | \$4,199 |
| 02589EP3QCT324V2F1-W | A-186 | \$5,826 |
| 02589EP3QCT324V2-W22 | A-186 | \$5,826 |
| 03009ET3E364T-W22 | A-36; A-88 | \$11,215 |
| 03009ET3Y250S/M-W22 | A-76; A-109; A-239 | \$8,858 |
| 03009ST3QIE364TC-W22 | A-66; A-101 | \$13,524 |
| 03009ST3QIE364T-W22 | A-63; A-98 | \$13,149 |
| 03009XT3E364T | A-116 | \$15,071 |
| 03012AT3PCT326TF1-W2 | A-184 | \$6,246 |
| 03012EG3E326T-W22 | A-80 | \$5,800 |
| 03012ES3E0W326T-W22 | A-261 | \$4,515 |
| 03012ET3E326JM-W22 | A-204 | \$6,686 |
| 03012ET3E326JP-W22 | A-208 | \$6,690 |
| 03012ET3E326TC-W22 | A-44; A-94 | \$5,394 |
| 03012ET3E326TC-W22G | A-173 | \$5,794 |
| 03012ET3E326T-W22 | A-36; A-88 | \$5,273 |
| 03012ET3E326T-W22G | A-173 | \$5,673 |
| 03012ET3ECT326T-W22 | A-181 | \$6,064 |
| 03012ET3EPM324/GY-W2 | A-189 | \$5,906 |
| 03012ET3ER326TSC-W22 | A-47; A-95 | \$5,768 |
| 03012ET3H326T-W22 | A-37; A-88 | \$5,273 |
| 03012ET3H326T-W22G | A-174 | \$5,673 |
| 03012ET3PCT326T-W22 | A-181 | \$6,064 |
| 03012ET3Y225S/M-W22 | A-76; A-109; A-239 | \$7,689 |
| 03012OT3E326JM-W40 | A-212 | \$4,741 |
| 03012OT3E326JP-W40 | A-216 | \$4,980 |
| 03012OT3E326TC-W40 | A-58 | \$3,990 |
| 03012OT3E326T-W40 | A-52 | \$3,890 |
| 03012OT3E326T-W40G | A-177 | \$4,290 |
| 03012OT3H326T-W40 | A-52 | \$3,890 |
| 03012ST3HIE326T-W22 | A-63; A-98 | \$5,359 |
| 03012ST3QIE326TC-W22 | A-66; A-101 | \$5,584 |
| 03012ST3QIE326T-W22 | A-63; A-98 | \$5,359 |
| 03012XT3E326T | A-116 | \$6,196 |
| 03012XT3H326T | A-116 | \$6,196 |
| 03015EP30FP286TS-W22 | A-231 | \$3,159 |
| 03018AT3ECT286TF1-W2 | A-184 | \$3,850 |
| 03018AT3ECT286T-W22 | A-184 | \$3,850 |
| 03018AT3HCT286TF1-W2 | A-184 | \$3,850 |
| 03018AT3HCT286T-W22 | A-184 | \$3,850 |
| 03018AT3PCT286TF1-W2 | A-184 | \$3,850 |
| 03018AT3PCT286T-W22 | A-184 | \$3,850 |
| 03018EG3E286T-W22 | A-80 | \$3,545 |
| 03018ET3E286HPH-W22 | A-233 | \$3,967 |
| 03018ET3E286HP-W22 | A-233 | \$3,967 |
| 03018ET3E286JM-W22 | A-204 | \$4,096 |
| 03018ET3E286JP-W22 | A-208 | \$4,167 |
| 03018ET3E286TC-W22 | A-44; A-94 | \$3,321 |

| Part Number | Page(s) | Price |
|----------------------|--------------------|---------|
| 03018ET3E286TC-W22G | A-174 | \$3,632 |
| 03018ET3E286TS-W22 | A-37; A-88 | \$3,223 |
| 03018ET3E286T-W22 | A-37; A-88 | \$3,223 |
| 03018ET3E286T-W22G | A-174 | \$3,533 |
| 03018ET3EBM286T-W22 | A-69; A-267 | \$7,276 |
| 03018ET3ECT286TF1-W2 | A-182 | \$3,738 |
| 03018ET3ECT286T-W22 | A-182 | \$3,738 |
| 03018ET3EPM284/6Y-W2 | A-189 | \$3,610 |
| 03018ET3ER286TC-W22 | A-47; A-95 | \$3,421 |
| 03018ET3H286JM-W22 | A-204 | \$4,096 |
| 03018ET3H286JP-W22 | A-208 | \$4,167 |
| 03018ET3H286TC-W22 | A-44; A-94 | \$3,321 |
| 03018ET3H286T-W22 | A-37; A-88 | \$3,223 |
| 03018ET3H286T-W22G | A-174 | \$3,533 |
| 03018ET3HCT286TF1-W2 | A-182 | \$3,738 |
| 03018ET3HCT286T-W22 | A-182 | \$3,738 |
| 03018ET3PCT286TF1-W2 | A-182 | \$3,738 |
| 03018ET3PCT286T-W22 | A-182 | \$3,738 |
| 03018ET3V286T-W22G | A-174 | \$3,533 |
| 03018ET3Y200L-W22 | A-77; A-109; A-240 | \$4,312 |
| 030180P3EFP286JMV-W4 | A-228 | \$3,175 |
| 030180P3EFP286JPV-W4 | A-229 | \$3,224 |
| 030180P3EFP286TS-W40 | A-225 | \$2,108 |
| 030180P3HFP286JMV-W4 | A-228 | \$3,403 |
| 030180P3VFP286JPV-W4 | A-229 | \$3,174 |
| 030180P3VFP286TS-W40 | A-225 | \$2,108 |
| 030180T3E286JM-W40 | A-212 | \$3,368 |
| 030180T3E286JPV-W40 | A-218 | \$3,609 |
| 030180T3E286JP-W40 | A-216 | \$3,367 |
| 030180T3E286TC-W40 | A-58 | \$2,615 |
| 030180T3E286TC-W40G | A-177 | \$2,925 |
| 030180T3E286TS-W40 | A-52 | \$2,530 |
| 030180T3E286T-W40 | A-52 | \$2,530 |
| 030180T3E286T-W40G | A-178 | \$2,840 |
| 030180T3H286JMV-W40 | A-214 | \$3,610 |
| 030180T3H286JM-W40 | A-212 | \$3,368 |
| 030180T3H286JP-W40 | A-216 | \$3,367 |
| 030180T3H286TC-W40 | A-58 | \$2,615 |
| 030180T3H286TS-W40 | A-52 | \$2,530 |
| 030180T3H286T-W40 | A-52 | \$2,530 |
| 030180T3H286T-W40G | A-178 | \$2,840 |
| 030180T3P286T-W40 | A-52 | \$2,530 |
| 030180T3V286JP-W40 | A-216 | \$3,367 |
| 030180T3V286TC-W40 | A-58 | \$2,615 |
| 030180T3V286TS-W40 | A-52 | \$2,590 |
| 030180T3V286T-W40G | A-178 | \$2,840 |
| 03018ST3HIE286T-W22 | A-63; A-98 | \$3,509 |
| 03018ST3QIE286TC-W22 | A-66; A-101 | \$3,709 |
| 03018ST3QIE286T-W22 | A-63; A-98 | \$3,509 |
| 03018XT3E286T | A-116 | \$4,296 |
| 03018XT3E286TC | A-120 | \$4,672 |

| Part Number | Page(s) | Price |
|----------------------|--------------------|---------|
| 03018XT3ER286TC | A-120 | \$4,758 |
| 03018XT3H286T | A-116 | \$4,296 |
| 03026EP3OCT364V-W22 | A-186 | \$7,435 |
| 03030EP3OFP286TS-W22 | A-231 | \$3,490 |
| 03036EG3E286TS-W22 | A-80 | \$3,917 |
| 03036ET3E284HP-W22 | A-233 | \$4,040 |
| 03036ET3E286HPH-W22 | A-233 | \$4,365 |
| 03036ET3E286HP-W22 | A-233 | \$4,365 |
| 03036ET3E286JM-W22 | A-204 | \$4,539 |
| 03036ET3E286JP-W22 | A-208 | \$4,614 |
| 03036ET3E286TSC-W22 | A-44; A-94 | \$3,659 |
| 03036ET3E286TS-W22 | A-37; A-88 | \$3,561 |
| 03036ET3E286TS-W22G | A-174 | \$3,871 |
| 03036ET3ER286TSC-W22 | A-47; A-95 | \$3,767 |
| 03036ET3H286JM-W22 | A-204 | \$4,539 |
| 03036ET3H286JP-W22 | A-208 | \$4,614 |
| 03036ET3H286TSC-W22 | A-44; A-94 | \$3,659 |
| 03036ET3H286TS-W22 | A-37; A-88 | \$3,561 |
| 03036ET3H286TS-W22G | A-174 | \$3,871 |
| 03036ET3Y200L-W22 | A-77; A-109; A-240 | \$4,877 |
| 030360P3EFP284JMV-W4 | A-228 | \$2,954 |
| 030360P3EFP284JPV* | A-229 | \$3,082 |
| 030360P3EFP284JPV-W4 | A-229 | \$3,082 |
| 030360P3EFP284TSC-W4 | A-227 | \$2,033 |
| 030360P3EFP284TS-W40 | A-225 | \$2,033 |
| 030360P3HFP284JMV* | A-228 | \$3,181 |
| 030360P3HFP284JMV-W4 | A-228 | \$3,181 |
| 030360P3HFP284JPV-W4 | A-229 | \$3,181 |
| 030360P3HFP284TS-W40 | A-225 | \$2,033 |
| 030360P3VFP284JMV-W4 | A-228 | \$2,954 |
| 030360P3VFP284JPV* | A-229 | \$3,082 |
| 030360P3VFP284JPV-W4 | A-229 | \$3,082 |
| 030360P3VFP284TSC-W4 | A-227 | \$2,033 |
| 030360P3VFP284TS-W40 | A-225 | \$2,033 |
| 030360T3E284JM-W40 | A-212 | \$3,185 |
| 030360T3E284JPV* | A-218 | \$3,422 |
| 030360T3E284JPV-W40 | A-218 | \$3,422 |
| 030360T3E284JP-W40 | A-216 | \$3,185 |
| 030360T3E284TSC-W40 | A-58 | \$2,572 |
| 030360T3E284TS-W40 | A-52 | \$2,487 |
| 030360T3E284TS-W40G | A-178 | \$2,797 |
| 030360T3H284JMV-W40 | A-214 | \$3,422 |
| 030360T3H284JM-W40 | A-212 | \$3,185 |
| 030360T3H284JPV-W40 | A-218 | \$3,422 |
| 030360T3H284JP-W40 | A-216 | \$3,185 |
| 030360T3H284TSC-W40 | A-58 | \$2,572 |
| 030360T3V284JM-W40 | A-212 | \$3,185 |
| 030360T3V284JPV* | A-218 | \$3,422 |
| 030360T3V284JPV-W40 | A-218 | \$3,422 |
| 030360T3V284JP-W40 | A-216 | \$3,185 |

| Part Number | Page(s) | Price |
|----------------------|--------------------|----------|
| 030360T3V284TSC-W40 | A-58 | \$2,572 |
| 030360T3V284TS-W40 | A-52 | \$2,487 |
| 03036ST3HIE286TS-W22 | A-63; A-98 | \$3,799 |
| 03036ST3QIE286TSC-W2 | A-66; A-101 | \$3,999 |
| 03036ST3QIE286TS-W22 | A-63; A-98 | \$3,799 |
| 03036XT3E286TS | A-116 | \$4,262 |
| 03036XT3H286TS | A-116 | \$4,262 |
| 03089EP3HCT324VF1-W2 | A-186 | \$4,725 |
| 03089EP3HCT324V-W22 | A-187 | \$4,725 |
| 03089EP3PCT324VF1-W2 | A-187 | \$4,725 |
| 03089EP3PCT324V-W22 | A-187 | \$4,725 |
| 03089EP3PCT326V2F1-W | A-187 | \$6,995 |
| 03089EP3PCT326V2-W22 | A-187 | \$6,995 |
| 03089EP3QCT324VF1-W2 | A-187 | \$4,725 |
| 03089EP3QCT324V-W22 | A-187 | \$4,725 |
| 03089EP3QCT326V2F1-W | A-187 | \$6,995 |
| 03089EP3QCT326V2-W22 | A-187 | \$6,995 |
| 03709ET3Y280S/M-W22 | A-77; A-109; A-240 | \$11,751 |
| 03712ET3Y250S/M-W22 | A-77; A-109; A-240 | \$9,947 |
| 03718ET3Y225S/M-W22 | A-77; A-109; A-240 | \$6,984 |
| 03736ET3Y200L-W22 | A-77; A-109; A-240 | \$5,487 |
| 04009ET3E365T-W22 | A-37; A-88 | \$12,194 |
| 04009ST3QIE365TC-W22 | A-67; A-102 | \$15,284 |
| 04009ST3QIE365T-W22 | A-63; A-98 | \$14,909 |
| 04009XT3E365T | A-116 | \$15,505 |
| 04012EG3E364T-W22 | A-80 | \$8,012 |
| 04012ES3EOW365T-W22 | A-261 | \$6,290 |
| 04012ET3E364JM-W22 | A-204 | \$8,807 |
| 04012ET3E364JP-W22 | A-208 | \$9,268 |
| 04012ET3E364TC-W22 | A-44; A-94 | \$7,576 |
| 04012ET3E364T-W22 | A-37; A-88 | \$7,284 |
| 04012ET3E364T-W22G | A-174 | \$8,124 |
| 04012ET3ECT364T-W22 | A-182 | \$8,376 |
| 04012ET3H364T-W22 | A-37; A-88 | \$7,284 |
| 04012ET3H364T-W22G | A-174 | \$8,124 |
| 04012ET3PCT364T-W22 | A-182 | \$8,376 |
| 040120T3E364JM-W40 | A-212 | \$6,696 |
| 040120T3E364JP-W40 | A-216 | \$7,444 |
| 040120T3E364TC-W40 | A-58 | \$5,938 |
| 040120T3E364T-W40 | A-52 | \$5,544 |
| 040120T3E364T-W40G | A-178 | \$6,384 |
| 040120T3H364T-W40 | A-52 | \$5,544 |
| 04012ST3HIE364T-W22 | A-63; A-98 | \$8,636 |
| 04012ST3QIE364TC-W22 | A-67; A-102 | \$9,011 |
| 04012ST3QIE364T-W22 | A-63; A-98 | \$8,636 |
| 04012XT3E364T | A-116 | \$10,576 |
| 04012XT3H364T | A-117 | \$10,576 |
| 04015EP30FP324TS-W22 | A-231 | \$3,969 |
| 04018AT3ECT324TF1-W2 | A-184 | \$4,949 |
| 04018AT3ECT324T-W22 | A-184 | \$4,949 |
| 04018AT3HCT324TF1-W2 | A-184 | \$4,949 |

| Part Number | Page(s) | Price |
|----------------------|------------|---------|
| 04018AT3HCT324T-W22 | A-184 | \$4,949 |
| 04018AT3PCT324TF1-W2 | A-184 | \$4,949 |
| 04018AT3PCT324T-W22 | A-184 | \$4,949 |
| 04018EG3E324T-W22 | A-80 | \$4,596 |
| 04018ET3E324HP-W22 | A-233 | \$5,247 |
| 04018ET3E324JM-W22 | A-204 | \$5,316 |
| 04018ET3E324JP-W22 | A-208 | \$5,413 |
| 04018ET3E324TC-W22 | A-44; A-94 | \$4,300 |
| 04018ET3E324TSC-W22 | A-44; A-94 | \$4,300 |
| 04018ET3E324TS-W22 | A-37; A-88 | \$4,178 |
| 04018ET3E324T-W22 | A-37; A-88 | \$4,178 |
| 04018ET3E324T-W22G | A-174 | \$4,578 |
| 04018ET3ECT324TF1-W2 | A-182 | \$4,805 |
| 04018ET3ECT324T-W22 | A-182 | \$4,805 |
| 04018ET3EPM324/6Y-W2 | A-189 | \$4,638 |
| 04018ET3ER324TC-W22 | A-47; A-95 | \$4,429 |
| 04018ET3H324JM-W22 | A-205 | \$5,316 |
| 04018ET3H324JP-W22 | A-208 | \$5,413 |
| 04018ET3H324TC-W22 | A-44; A-94 | \$4,300 |
| 04018ET3H324T-W22 | A-37; A-88 | \$4,178 |
| 04018ET3H324T-W22G | A-174 | \$4,578 |
| 04018ET3HCT324TF1-W2 | A-182 | \$4,805 |
| 04018ET3HCT324T-W22 | A-182 | \$4,805 |
| 04018ET3P324T-W22 | A-37; A-88 | \$4,178 |
| 04018ET3PCT324TF1-W2 | A-182 | \$4,805 |
| 04018ET3PCT324T-W22 | A-182 | \$4,805 |
| 04018ET3V324T-W22G | A-174 | \$4,578 |
| 040180P3EFP324JMV-W4 | A-228 | \$3,621 |
| 040180P3EFP324JPV-W4 | A-229 | \$3,987 |
| 040180P3EFP324TC-W40 | A-227 | \$2,752 |
| 040180P3EFP324TS-W40 | A-225 | \$2,652 |
| 040180P3HFP324JMV-W4 | A-228 | \$3,621 |
| 040180P3HFP324JPV-W4 | A-229 | \$3,621 |
| 040180P3HFP324TS-W40 | A-225 | \$2,652 |
| 040180P3VFP324JPV* | A-229 | \$3,987 |
| 040180P3VFP324JPV-W4 | A-229 | \$3,987 |
| 040180P3VFP324TS-W40 | A-225 | \$2,652 |
| 040180T3E324JMV-W40 | A-214 | \$4,431 |
| 040180T3E324JM-W40 | A-212 | \$3,797 |
| 040180T3E324JPV-W40 | A-218 | \$4,077 |
| 040180T3E324JP-W40 | A-216 | \$3,797 |
| 040180T3E324TC-W40 | A-58 | \$3,195 |
| 040180T3E324TC-W40G | A-178 | \$3,595 |
| 040180T3E324TSC-W40 | A-58 | \$3,195 |
| 040180T3E324TS-W40 | A-53 | \$3,095 |
| 040180T3E324TS-W40G | A-178 | \$3,372 |
| 040180T3E324T-W40 | A-53 | \$3,095 |
| 040180T3E324T-W40G | A-178 | \$3,495 |
| 040180T3H324JM-W40 | A-213 | \$3,797 |
| 040180T3H324JP-W40 | A-216 | \$3,797 |
| 040180T3H324TC-W40 | A-58 | \$3,195 |

| Part Number | Page(s) | Price |
|----------------------|-------------|---------|
| 040180T3H324TS-W40 | A-53 | \$3,095 |
| 040180T3H324T-W40 | A-53 | \$3,095 |
| 040180T3H324T-W40G | A-178 | \$3,495 |
| 040180T3P324T-W40 | A-53 | \$3,095 |
| 040180T3V324JPV-W40 | A-218 | \$4,077 |
| 040180T3V324JP-W40 | A-216 | \$3,797 |
| 040180T3V324TC-W40G | A-178 | \$3,595 |
| 040180T3V324TS-W40 | A-53 | \$3,095 |
| 040180T3V324T-W40G | A-178 | \$3,495 |
| 04018ST3HIE324T-W22 | A-63; A-98 | \$4,692 |
| 04018ST3QIE324TC-W22 | A-67; A-102 | \$4,917 |
| 04018ST3QIE324T-W22 | A-63; A-98 | \$4,692 |
| 04018XT3E324T | A-117 | \$5,380 |
| 04018XT3E324TC | A-120 | \$5,919 |
| 04018XT3ER324TC | A-120 | \$6,027 |
| 04018XT3H324T | A-117 | \$5,380 |
| 04026EP3QCT365VF1-W2 | A-187 | \$9,302 |
| 04026EP3QCT365V-W22 | A-187 | \$9,302 |
| 04030EP30FP324TS-W22 | A-231 | \$4,489 |
| 04036EG3E324TS-W22 | A-80 | \$5,198 |
| 04036ET3E286HP-W22 | A-233 | \$5,160 |
| 04036ET3E286JM-W22 | A-205 | \$5,368 |
| 04036ET3E286JP-W22 | A-208 | \$5,475 |
| 04036ET3E324HP-W22 | A-233 | \$5,457 |
| 04036ET3E324JM-W22 | A-205 | \$5,534 |
| 04036ET3E324JP-W22 | A-208 | \$5,628 |
| 04036ET3E324TSC-W22 | A-44; A-94 | \$4,845 |
| 04036ET3E324TS-W22 | A-37; A-88 | \$4,725 |
| 04036ET3E324TS-W22G | A-174 | \$5,125 |
| 04036ET3ER324TSC-W22 | A-47; A-95 | \$4,988 |
| 04036ET3H286JM-W22 | A-205 | \$5,368 |
| 04036ET3H286JP-W22 | A-208 | \$5,475 |
| 04036ET3H324JM-W22 | A-205 | \$5,534 |
| 04036ET3H324JP-W22 | A-208 | \$5,628 |
| 04036ET3H324TSC-W22 | A-44; A-94 | \$4,845 |
| 04036ET3H324TS-W22 | A-37; A-88 | \$4,725 |
| 04036ET3H324TS-W22G | A-174 | \$5,125 |
| 040360P3EFP286JMV-W4 | A-228 | \$3,611 |
| 040360P3EFP286JPV* | A-229 | \$3,611 |
| 040360P3EFP286JPV-W4 | A-229 | \$3,611 |
| 040360P3EFP286TSC-W4 | A-227 | \$2,757 |
| 040360P3EFP286TS-W40 | A-225 | \$2,757 |
| 040360P3HFP286JMV-W4 | A-228 | \$3,611 |
| 040360P3HFP286JPV-W4 | A-229 | \$3,499 |
| 040360P3HFP286TSC-W4 | A-227 | \$2,757 |
| 040360P3HFP286TS-W40 | A-225 | \$2,757 |
| 040360P3VFP286JMV-W4 | A-228 | \$3,611 |
| 040360P3VFP286JPV* | A-229 | \$3,611 |
| 040360P3VFP286JPV-W4 | A-229 | \$3,611 |
| 040360P3VFP286TSC-W4 | A-227 | \$2,757 |
| 040360P3VFP286TS-W40 | A-225 | \$2,757 |

| Part Number | Page(s) | Price |
|----------------------|--------------------|----------|
| 040360T3E286JMV-W40 | A-214 | \$4,066 |
| 040360T3E286JM-W40 | A-213 | \$3,811 |
| 040360T3E286JPV* | A-218 | \$4,066 |
| 040360T3E286JPV-W40 | A-218 | \$4,066 |
| 040360T3E286JP-W40 | A-216 | \$3,811 |
| 040360T3E286TSC-W40 | A-58 | \$3,393 |
| 040360T3E286TSC-W40G | A-178 | \$3,703 |
| 040360T3E286TS-W40 | A-53 | \$3,308 |
| 040360T3E286TS-W40G | A-178 | \$3,618 |
| 040360T3H286JMV* | A-214 | \$4,066 |
| 040360T3H286JMV-W40 | A-214 | \$4,066 |
| 040360T3H286JM-W40 | A-213 | \$3,811 |
| 040360T3H286JP-W40 | A-216 | \$3,811 |
| 040360T3H286TSC* | A-58 | \$3,393 |
| 040360T3H286TSC-W40 | A-58 | \$3,393 |
| 040360T3H286TS-W40 | A-53 | \$3,308 |
| 040360T3P286TS-W40 | A-53 | \$3,308 |
| 040360T3V286JPV* | A-218 | \$4,066 |
| 040360T3V286JPV-W40 | A-218 | \$4,066 |
| 040360T3V286JP-W40 | A-216 | \$3,811 |
| 040360T3V286TS-W40 | A-53 | \$3,308 |
| 04036ST3HIE324TS-W22 | A-63; A-98 | \$5,306 |
| 04036ST3QIE324TSC-W2 | A-67; A-102 | \$5,531 |
| 04036ST3QIE324TS-W22 | A-63; A-98 | \$5,306 |
| 04036XT3E324TS | A-117 | \$5,583 |
| 04036XT3H324TS | A-117 | \$5,583 |
| 04089EP3HCT326VF1-W2 | A-187 | \$5,464 |
| 04089EP3HCT326V-W22 | A-187 | \$5,464 |
| 04089EP3PCT326VF1-W2 | A-187 | \$5,464 |
| 04089EP3PCT326V-W22 | A-187 | \$5,464 |
| 04089EP3PCT364V2F1-W | A-187 | \$8,720 |
| 04089EP3PCT364V2-W22 | A-187 | \$8,720 |
| 04089EP3QCT326VF1-W2 | A-187 | \$5,464 |
| 04089EP3QCT326V-W22 | A-187 | \$5,464 |
| 04089EP3QCT364V2F1-W | A-187 | \$8,720 |
| 04089EP3QCT364V2-W22 | A-187 | \$8,720 |
| 04509ET3Y280S/M-W22 | A-77; A-109; A-240 | \$12,815 |
| 04512ET3Y280S/M-W22 | A-77; A-109; A-240 | \$11,023 |
| 04518ET3Y225S/M-W22 | A-77; A-109; A-240 | \$7,391 |
| 04536ET3Y225S/M-W22 | A-77; A-109; A-240 | \$7,961 |
| 05009ET3E404T-W22 | A-37; A-88 | \$17,648 |
| 05009ET3EKD404T-W22 | A-89; A-105 | \$17,648 |
| 05009ST3QIE404TC-W22 | A-67; A-102 | \$19,856 |
| 05009ST3QIE404T-W22 | A-63; A-98 | \$19,331 |
| 05009XT3E404T | A-117 | \$22,443 |
| 05012EG3E365T-W22 | A-80 | \$9,370 |
| 05012ES3E0W404T-W22 | A-261 | \$8,172 |
| 05012ET3E365JM-W22 | A-205 | \$10,551 |
| 05012ET3E365JP-W22 | A-208 | \$10,748 |
| 05012ET3E365TC-W22 | A-44; A-94 | \$8,960 |
| 05012ET3E365T-W22 | A-37; A-88 | \$8,518 |

| Part Number | Page(s) | Price |
|----------------------|-------------|----------|
| 05012ET3E365T-W22G | A-174 | \$9,358 |
| 05012ET3ECT365T-W22 | A-182 | \$9,625 |
| 05012ET3H365T-W22 | A-37; A-88 | \$8,518 |
| 05012ET3H365T-W22G | A-174 | \$9,358 |
| 05012ET3PCT365T-W22 | A-182 | \$9,625 |
| 050120T3E365JM-W40 | A-213 | \$7,666 |
| 050120T3E365JP-W40 | A-216 | \$7,666 |
| 050120T3E365TC-W40 | A-58 | \$6,786 |
| 050120T3E365T-W40 | A-53 | \$6,392 |
| 050120T3E365T-W40G | A-178 | \$7,232 |
| 050120T3V365T-W40 | A-53 | \$6,392 |
| 05012ST3HIE365T-W22 | A-63; A-98 | \$9,369 |
| 05012ST3QIE365TC-W22 | A-67; A-102 | \$9,744 |
| 05012ST3QIE365T-W22 | A-64; A-99 | \$9,369 |
| 05012XT3E365T | A-117 | \$10,597 |
| 05012XT3H365T | A-117 | \$10,597 |
| 05015EP30FP326TS-W22 | A-231 | \$4,845 |
| 05018AT3ECT326T-W22 | A-184 | \$6,041 |
| 05018AT3HCT326T-W22 | A-184 | \$6,041 |
| 05018AT3PCT326T-W22 | A-184 | \$6,041 |
| 05018EG3E326T-W22 | A-80 | \$5,610 |
| 05018ET3E326HP-W22 | A-233 | \$6,009 |
| 05018ET3E326JM-W22 | A-205 | \$6,513 |
| 05018ET3E326JP-W22 | A-208 | \$6,624 |
| 05018ET3E326JP-W22G | A-221 | \$7,024 |
| 05018ET3E326TC-W22 | A-44; A-94 | \$5,221 |
| 05018ET3E326TSC-W22 | A-44; A-94 | \$5,221 |
| 05018ET3E326TS-W22 | A-37; A-88 | \$5,100 |
| 05018ET3E326T-W22 | A-37; A-88 | \$5,100 |
| 05018ET3E326T-W22G | A-174 | \$5,500 |
| 05018ET3ECT326TF1-W2 | A-182 | \$5,865 |
| 05018ET3ECT326T-W22 | A-182 | \$5,865 |
| 05018ET3EPM324/6Y-W2 | A-189 | \$5,661 |
| 05018ET3ER326TC-W22 | A-47; A-95 | \$5,378 |
| 05018ET3H326JM-W22 | A-205 | \$6,513 |
| 05018ET3H326JP-W22 | A-208 | \$6,624 |
| 05018ET3H326TC-W22 | A-44; A-94 | \$5,221 |
| 05018ET3H326T-W22 | A-37; A-88 | \$5,100 |
| 05018ET3H326T-W22G | A-174 | \$5,500 |
| 05018ET3HCT326TF1-W2 | A-182 | \$5,865 |
| 05018ET3HCT326T-W22 | A-182 | \$5,865 |
| 05018ET3PCT326T-W22 | A-182 | \$5,865 |
| 05018ET3V326T-W22G | A-174 | \$5,500 |
| 050180P3EFP326JMV-W4 | A-228 | \$4,393 |
| 050180P3EFP326JPV-W4 | A-229 | \$4,500 |
| 050180P3EFP326TC-W40 | A-227 | \$3,135 |
| 050180P3EFP326TS-W40 | A-225 | \$3,015 |
| 050180P3HFP326JMV-W4 | A-228 | \$4,527 |
| 050180P3HFP326JPV-W4 | A-229 | \$4,394 |
| 050180P3VFP326JPV-W4 | A-230 | \$4,500 |
| 050180P3VFP326TS-W40 | A-225 | \$3,015 |

| Part Number | Page(s) | Price |
|----------------------|-------------|----------|
| 050180T3E326JM-W40 | A-213 | \$4,877 |
| 050180T3E326JPV-W40 | A-218 | \$5,190 |
| 050180T3E326JP-W40 | A-216 | \$4,878 |
| 050180T3E326TC-G* | A-178 | \$4,288 |
| 050180T3E326TC-W40 | A-58 | \$3,888 |
| 050180T3E326TC-W40G | A-178 | \$4,288 |
| 050180T3E326TSC-W40 | A-58 | \$3,888 |
| 050180T3E326TS-W40 | A-53 | \$3,788 |
| 050180T3E326T-W40 | A-53 | \$3,788 |
| 050180T3E326T-W40G | A-178 | \$4,188 |
| 050180T3G326TS-W40 | A-53 | \$3,788 |
| 050180T3H326JMV-W40 | A-214 | \$5,189 |
| 050180T3H326JM-W40 | A-213 | \$4,877 |
| 050180T3H326JP-W40 | A-217 | \$4,878 |
| 050180T3H326TC-W40 | A-58 | \$3,888 |
| 050180T3H326TS-W40 | A-53 | \$3,788 |
| 050180T3H326T-W40 | A-53 | \$3,788 |
| 050180T3H326T-W40G | A-178 | \$4,188 |
| 050180T3P326T-W40 | A-53 | \$3,788 |
| 050180T3V326JPV-W40 | A-218 | \$5,190 |
| 050180T3V326TS-W40 | A-53 | \$3,788 |
| 050180T3V326T-W40G | A-178 | \$4,188 |
| 05018ST3HIE326T-W22 | A-64; A-99 | \$5,233 |
| 05018ST3QIE326TC-W22 | A-67; A-102 | \$5,458 |
| 05018ST3QIE326T-W22 | A-64; A-99 | \$5,233 |
| 05018XT3E326T | A-117 | \$6,545 |
| 05018XT3E326TC | A-120 | \$7,084 |
| 05018XT3ER326TC | A-120 | \$7,215 |
| 05018XT3H326T | A-117 | \$6,545 |
| 05026EP3QCT365VF1-W2 | A-187 | \$11,051 |
| 05026EP3QCT365V-W22 | A-187 | \$11,051 |
| 05030EP30FP326TS-W22 | A-231 | \$5,050 |
| 05036EG3E326TS-W22 | A-80 | \$5,848 |
| 05036ET3E324HP-W22 | A-233 | \$6,461 |
| 05036ET3E326HP-W22 | A-233 | \$6,681 |
| 05036ET3E326JM-W22 | A-205 | \$6,622 |
| 05036ET3E326JP-W22 | A-208 | \$6,733 |
| 05036ET3E326TSC-W22 | A-44; A-94 | \$5,437 |
| 05036ET3E326TS-W22 | A-37; A-88 | \$5,316 |
| 05036ET3E326TS-W22G | A-174 | \$5,716 |
| 05036ET3H326JP-W22 | A-208 | \$6,733 |
| 05036ET3H326TS-W22 | A-37; A-88 | \$5,316 |
| 05036ET3H326TS-W22G | A-174 | \$5,716 |
| 050360P3EFP324JMV-W4 | A-228 | \$4,394 |
| 050360P3EFP324JPV* | A-230 | \$4,372 |
| 050360P3EFP324JPV-W4 | A-230 | \$4,372 |
| 050360P3EFP324TSC-W4 | A-227 | \$3,184 |
| 050360P3EFP324TS-W40 | A-225 | \$3,184 |
| 050360P3HFP324JMV* | A-228 | \$4,394 |
| 050360P3HFP324JMV-W4 | A-228 | \$4,394 |
| 050360P3HFP324JPV* | A-230 | \$4,372 |

| Part Number | Page(s) | Price |
|----------------------|--------------------|----------|
| 050360P3HFP324JPV-W4 | A-230 | \$4,372 |
| 050360P3HFP324TS-W40 | A-225 | \$3,184 |
| 050360P3JFP324TS-W40 | A-225 | \$3,184 |
| 050360P3VFP324JMV-W4 | A-228 | \$4,664 |
| 050360P3VFP324JPV* | A-230 | \$4,372 |
| 050360P3VFP324JPV-W4 | A-230 | \$4,372 |
| 050360P3VFP324TSC-W4 | A-227 | \$3,184 |
| 050360P3VFP324TS-W40 | A-225 | \$3,184 |
| 050360T3E324JMV-W40 | A-214 | \$4,911 |
| 050360T3E324JM-W40 | A-213 | \$4,607 |
| 050360T3E324JPV* | A-219 | \$4,911 |
| 050360T3E324JPV-W40 | A-219 | \$4,911 |
| 050360T3E324JP-W40 | A-217 | \$4,607 |
| 050360T3E324TSC-W40 | A-58 | \$3,920 |
| 050360T3E324TSC-W40G | A-178 | \$4,197 |
| 050360T3E324TS-W40 | A-53 | \$3,820 |
| 050360T3E324TS-W40G | A-178 | \$4,097 |
| 050360T3G324JM-W40 | A-213 | \$4,607 |
| 050360T3G324JP-W40 | A-217 | \$4,607 |
| 050360T3H324JMV-W40 | A-214 | \$4,911 |
| 050360T3H324JM-W40 | A-213 | \$4,607 |
| 050360T3H324JPV-W40 | A-219 | \$4,911 |
| 050360T3H324JP-W40 | A-217 | \$4,607 |
| 050360T3H324TSC* | A-58 | \$3,920 |
| 050360T3H324TSC-W40 | A-58 | \$3,920 |
| 050360T3H324TS-W40 | A-53 | \$3,820 |
| 050360T3V324JMV-W40 | A-214 | \$4,911 |
| 050360T3V324JPV* | A-219 | \$4,911 |
| 050360T3V324JPV-W40 | A-219 | \$4,911 |
| 050360T3V324JP-W40 | A-217 | \$4,607 |
| 050360T3V324TS-W40 | A-53 | \$3,820 |
| 05036ST3HIE326TS-W22 | A-64; A-99 | \$5,970 |
| 05036ST3QIE326TSC-W2 | A-67; A-102 | \$6,195 |
| 05036ST3QIE326TS-W22 | A-64; A-99 | \$5,970 |
| 05036XT3E326TS | A-117 | \$6,582 |
| 05036XT3H326TS | A-117 | \$6,582 |
| 05089EP3HCT364VF1-W2 | A-187 | \$7,526 |
| 05089EP3HCT364V-W22 | A-187 | \$7,526 |
| 05089EP3PCT364VF1-W2 | A-187 | \$7,526 |
| 05089EP3PCT364V-W22 | A-187 | \$7,526 |
| 05089EP3PCT365V2F1-W | A-187 | \$11,093 |
| 05089EP3PCT365V2-W22 | A-187 | \$11,093 |
| 05089EP3QCT364VF1-W2 | A-187 | \$7,526 |
| 05089EP3QCT364V-W22 | A-187 | \$7,526 |
| 05089EP3QCT365V2F1-W | A-187 | \$11,093 |
| 05089EP3QCT365V2-W22 | A-187 | \$11,093 |
| 05509ET3Y315S/M-W22 | A-77; A-109; A-240 | \$15,379 |
| 05512ET3Y280S/M-W22 | A-77; A-109; A-240 | \$13,622 |
| 05518ET3Y250S/M-W22 | A-77; A-109; A-240 | \$8,961 |
| 05536ET3Y250S/M-W22 | A-77; A-109; A-240 | \$9,847 |
| 06009ET3E405T-W22 | A-37; A-88 | \$20,443 |

| Part Number | Page(s) | Price |
|----------------------|-------------------|----------|
| 06009ET3EKD405T-W22 | A-95 | \$20,443 |
| 06009ST3QIE405T-W22 | A-64; A-99 | \$22,579 |
| 06009XT3E405T | A-117 | \$26,900 |
| 06012EG3E404T-W22 | A-80 | \$11,547 |
| 06012ES3E0W405T-W22 | A-261 | \$9,414 |
| 06012ET3E404JP-W22 | A-208 | \$12,444 |
| 06012ET3E404T-W22 | A-37; A-88 | \$10,497 |
| 06012ET3E404T-W22G | A-174 | \$11,697 |
| 06012ET3ECT404T-W22 | A-182 | \$11,861 |
| 06012ET3ERB404T-W22 | A-37; A-88 | \$10,497 |
| 06012ET3G404T-W22 | A-37; A-88 | \$10,497 |
| 06012ET3H404T-W22 | A-37; A-88; A-105 | \$10,497 |
| 06012ET3H404T-W22G | A-174 | \$11,697 |
| 06012ET3PCT404T-W22 | A-182 | \$11,861 |
| 060120T3E404JP-W40 | A-217 | \$9,462 |
| 060120T3E404T-W40 | A-53 | \$7,562 |
| 060120T3E404T-W40G | A-178 | \$8,762 |
| 06012ST3HIE404T-W22 | A-64; A-99 | \$11,790 |
| 06012ST3QIE404TC-W22 | A-67; A-102 | \$12,315 |
| 06012ST3QIE404T-W22 | A-64; A-99 | \$11,790 |
| 06012XT3E404T | A-117 | \$13,196 |
| 06012XT3H404T | A-117 | \$13,196 |
| 06015EP30FP364TS-W22 | A-231 | \$7,020 |
| 06018AT3ECT364T-W22 | A-184 | \$8,752 |
| 06018EG3E364T-W22 | A-80 | \$8,128 |
| 06018ET3E364HP-W22 | A-233 | \$8,525 |
| 06018ET3E364JM-W22 | A-205 | \$8,912 |
| 06018ET3E364JP-W22 | A-208 | \$9,619 |
| 06018ET3E364TC-W22 | A-44; A-94 | \$7,831 |
| 06018ET3E364TS-W22 | A-37; A-88 | \$7,389 |
| 06018ET3E364T-W22 | A-37; A-88 | \$7,389 |
| 06018ET3E364T-W22G | A-174 | \$8,229 |
| 06018ET3ECT364TF1-W2 | A-182 | \$8,497 |
| 06018ET3ECT364T-W22 | A-182 | \$8,497 |
| 06018ET3ER364TC-W22 | A-47; A-95 | \$8,053 |
| 06018ET3G364T-W22 | A-37; A-88 | \$7,389 |
| 06018ET3H364JM-W22 | A-205 | \$8,912 |
| 06018ET3H364JP-W22 | A-208 | \$9,619 |
| 06018ET3H364TC-W22 | A-44; A-94 | \$7,831 |
| 06018ET3H364T-W22 | A-37; A-88 | \$7,389 |
| 06018ET3H364T-W22G | A-174 | \$8,229 |
| 06018ET3HCT364TF1-W2 | A-182 | \$8,497 |
| 06018ET3HCT364T-W22 | A-182 | \$8,497 |
| 06018ET3PCT364T-W22 | A-182 | \$8,497 |
| 060180P3EFP364JPV-W4 | A-230 | \$6,142 |
| 060180P3EFP364TS-W40 | A-225 | \$3,703 |
| 060180P3HFP364TS-W40 | A-225 | \$3,703 |
| 060180P3VFP364JPV-W4 | A-230 | \$6,142 |
| 060180P3VFP364TS-W40 | A-225 | \$3,703 |
| 060180T3E364JM-W40 | A-213 | \$5,994 |
| 060180T3E364JPV-W40 | A-219 | \$6,365 |

| Part Number | Page(s) | Price |
|----------------------|------------|----------|
| 060180T3E364JP-W40 | A-217 | \$5,994 |
| 060180T3E364TC-W40 | A-58 | \$4,837 |
| 060180T3E364TC-W40G | A-178 | \$5,677 |
| 060180T3E364TS-W40 | A-53 | \$4,443 |
| 060180T3E364T-W40 | A-53 | \$4,443 |
| 060180T3E364T-W40G | A-178 | \$5,283 |
| 060180T3G364JM-W40 | A-213 | \$5,994 |
| 060180T3G364JP-W40 | A-217 | \$5,994 |
| 060180T3G364TS-W40 | A-53 | \$4,443 |
| 060180T3G364T-W40 | A-53 | \$4,443 |
| 060180T3H364JM-W40 | A-213 | \$5,994 |
| 060180T3H364JP-W40 | A-217 | \$5,994 |
| 060180T3H364TC-W40 | A-58 | \$4,837 |
| 060180T3H364TS-W40 | A-53 | \$4,443 |
| 060180T3H364T-W40 | A-53 | \$4,443 |
| 060180T3H364T-W40G | A-178 | \$5,283 |
| 060180T3V364JPV-W40 | A-219 | \$6,365 |
| 060180T3V364TS-W40 | A-53 | \$4,443 |
| 06018ST3HIE364T-W22 | A-64; A-99 | \$8,044 |
| 06018ST3QIE364T-W22 | A-64; A-99 | \$8,044 |
| 06018XT3E364T | A-117 | \$10,460 |
| 06018XT3E364TC | A-120 | \$11,116 |
| 06018XT3H364T | A-117 | \$10,460 |
| 06030EP30FP364TS-W22 | A-231 | \$7,174 |
| 06036EG3E364TS-W22 | A-80 | \$8,307 |
| 06036ET3E326HP-W22 | A-233 | \$8,632 |
| 06036ET3E326JM-W22 | A-205 | \$7,699 |
| 06036ET3E326JP-W22 | A-208 | \$7,853 |
| 06036ET3E364HP-W22 | A-233 | \$9,484 |
| 06036ET3E364JM-W22 | A-205 | \$8,261 |
| 06036ET3E364JP-W22 | A-208 | \$10,252 |
| 06036ET3E364TSC-W22 | A-45; A-94 | \$7,994 |
| 06036ET3E364TS-W22 | A-37; A-88 | \$7,552 |
| 06036ET3E364TS-W22G | A-174 | \$8,392 |
| 06036ET3G364TS-W22 | A-37; A-88 | \$7,552 |
| 06036ET3H364JM-W22 | A-205 | \$8,261 |
| 06036ET3H364JP-W22 | A-208 | \$10,252 |
| 06036ET3H364TSC-W22 | A-45; A-94 | \$7,994 |
| 06036ET3H364TS-W22 | A-37; A-88 | \$7,552 |
| 06036ET3H364TS-W22G | A-174 | \$8,392 |
| 060360P3EFP326JMV-W4 | A-228 | \$5,171 |
| 060360P3EFP326JPV* | A-230 | \$5,105 |
| 060360P3EFP326JPV-W4 | A-230 | \$5,105 |
| 060360P3EFP326TSC-W4 | A-227 | \$4,448 |
| 060360P3EFP326TS-W40 | A-225 | \$4,008 |
| 060360P3HFP326JMV* | A-228 | \$5,305 |
| 060360P3HFP326JMV-W4 | A-228 | \$5,305 |
| 060360P3HFP326JPV* | A-230 | \$5,105 |
| 060360P3HFP326JPV-W4 | A-230 | \$5,105 |
| 060360P3HFP326TS-W40 | A-225 | \$4,008 |
| 060360P3JFP326TS-W40 | A-225 | \$4,008 |

| Part Number | Page(s) | Price |
|----------------------|--------------------|----------|
| 060360P3VFP326JMV-W4 | A-228 | \$5,171 |
| 060360P3VFP326JPV* | A-230 | \$5,105 |
| 060360P3VFP326JPV-W4 | A-230 | \$5,105 |
| 060360P3VFP326TS* | A-225 | \$4,008 |
| 060360P3VFP326TS-W40 | A-225 | \$4,008 |
| 060360T3E326JM-W40 | A-213 | \$5,432 |
| 060360T3E326JPV* | A-219 | \$5,761 |
| 060360T3E326JPV-W40 | A-219 | \$5,761 |
| 060360T3E326JP-W40 | A-217 | \$5,432 |
| 060360T3E326TSC* | A-58 | \$4,681 |
| 060360T3E326TSC-W40 | A-58 | \$4,681 |
| 060360T3E326TS-W40 | A-53 | \$4,581 |
| 060360T3E326TS-W40G | A-178 | \$4,858 |
| 060360T3G326JM-W40 | A-213 | \$5,432 |
| 060360T3G326JP-W40 | A-217 | \$5,432 |
| 060360T3G326TS-W40 | A-53 | \$4,581 |
| 060360T3H326JMV-W40 | A-214 | \$5,761 |
| 060360T3H326JM-W40 | A-213 | \$5,432 |
| 060360T3H326JP-W40 | A-217 | \$5,432 |
| 060360T3H326TS-W40 | A-53 | \$4,581 |
| 060360T3V326JPV* | A-219 | \$5,761 |
| 060360T3V326JPV-W40 | A-219 | \$5,761 |
| 060360T3V326JP-W40 | A-217 | \$5,432 |
| 060360T3V326TS-W40 | A-53 | \$4,581 |
| 06036ST3HIE364TS-W22 | A-64; A-99 | \$8,665 |
| 06036ST3QIE364TS-W22 | A-64; A-99 | \$8,665 |
| 06036XT3E364TS | A-117 | \$9,988 |
| 06036XT3H364TS | A-117 | \$9,988 |
| 06089EP3PCT365VF1-W2 | A-187 | \$11,068 |
| 06089EP3PCT365V-W22 | A-187 | \$11,068 |
| 06089EP3QCT365VF1-W2 | A-187 | \$11,068 |
| 06089EP3QCT365V-W22 | A-187 | \$11,068 |
| 07509ET3E444T-W22 | A-37; A-88 | \$23,334 |
| 07509ET3GKD444T-W22 | A-105 | \$23,334 |
| 07509ET3QRB444TF2-W2 | A-81 | \$23,334 |
| 07509ET3Y315S/M-W22 | A-77; A-109; A-240 | \$18,647 |
| 07509ST3QIE444T-W22 | A-64; A-99 | \$23,457 |
| 07509XT3E444T | A-117 | \$29,094 |
| 07512EG3E405T-W22 | A-80 | \$13,264 |
| 07512ES3E0W444T-W22 | A-261 | \$14,976 |
| 07512ET3E405JP-W22 | A-208 | \$14,005 |
| 07512ET3E405T-W22 | A-37; A-88 | \$12,058 |
| 07512ET3E405T-W22G | A-174 | \$13,258 |
| 07512ET3ECT405T-W22 | A-182 | \$13,626 |
| 07512ET3ERB405T-W22 | A-38; A-89 | \$12,058 |
| 07512ET3G405T-W22 | A-38; A-89 | \$12,058 |
| 07512ET3GRB405T-W22 | A-38; A-89; A-105 | \$12,058 |
| 07512ET3H405TC-W22 | A-45; A-94 | \$12,549 |
| 07512ET3H405T-W22 | A-38; A-89 | \$12,058 |
| 07512ET3H405T-W22G | A-174 | \$13,258 |
| 07512ET3PCT405T-W22 | A-182 | \$13,626 |

| Part Number | Page(s) | Price |
|----------------------|--------------------|----------|
| 07512ET3Y315S/M-W22 | A-77; A-109; A-240 | \$16,479 |
| 075120T3E405JP-W40 | A-217 | \$9,762 |
| 075120T3E405T-W40 | A-53 | \$8,358 |
| 075120T3E405T-W40G | A-178 | \$9,558 |
| 07512ST3HIE405T-W22 | A-64; A-99 | \$12,866 |
| 07512ST3QIE405T-W22 | A-64; A-99 | \$12,866 |
| 07512ST3QIERB405T-W2 | A-64; A-99 | \$12,866 |
| 07512XT3E405T | A-117 | \$13,836 |
| 07515EP30FP365TS-W22 | A-231 | \$8,270 |
| 07518AT3ECT365T-W22 | A-184 | \$10,222 |
| 07518EG3E365T-W22 | A-80 | \$9,576 |
| 07518ET3E365HP-W22 | A-233 | \$9,352 |
| 07518ET3E365JM-W22 | A-205 | \$10,057 |
| 07518ET3E365JP-W22 | A-208 | \$10,235 |
| 07518ET3E365TC-W22 | A-45; A-94 | \$9,148 |
| 07518ET3E365TC-W22G | A-174 | \$9,988 |
| 07518ET3E365TS-W22 | A-38; A-89; A-105 | \$8,705 |
| 07518ET3E365T-W22 | A-38; A-89 | \$8,705 |
| 07518ET3E365T-W22G | A-174 | \$9,545 |
| 07518ET3ECT365TF1-W2 | A-182 | \$9,924 |
| 07518ET3ECT365T-W22 | A-182 | \$9,924 |
| 07518ET3ER365TC-W22 | A-47; A-95 | \$9,408 |
| 07518ET3G365T-W22 | A-38; A-89 | \$8,705 |
| 07518ET3H365JM-W22 | A-205 | \$10,057 |
| 07518ET3H365JP-W22 | A-209 | \$10,235 |
| 07518ET3H365TC-W22 | A-45; A-94 | \$9,148 |
| 07518ET3H365T-W22 | A-38; A-89 | \$8,705 |
| 07518ET3H365T-W22G | A-174 | \$9,545 |
| 07518ET3HCT365T-W22 | A-182 | \$9,924 |
| 07518ET3PCT365T-W22 | A-182 | \$9,924 |
| 07518ET3Y280S/M-W22 | A-77; A-109; A-240 | \$12,353 |
| 075180P3EFP365JPV* | A-230 | \$6,967 |
| 075180P3EFP365JPV-W4 | A-230 | \$6,967 |
| 075180P3EFP365TC-W40 | A-227 | \$5,109 |
| 075180P3EFP365TS-W40 | A-225 | \$4,715 |
| 075180P3HFP365TS-W40 | A-225 | \$4,715 |
| 075180P3VFP365JPV-W4 | A-230 | \$6,967 |
| 075180P3VFP365TS-W40 | A-225 | \$4,715 |
| 075180T3E365JM-W40 | A-213 | \$6,932 |
| 075180T3E365JPV-W40 | A-219 | \$7,331 |
| 075180T3E365JP-W40 | A-217 | \$6,932 |
| 075180T3E365TC-W40 | A-58 | \$6,052 |
| 075180T3E365TC-W40G | A-178 | \$6,892 |
| 075180T3E365TS-W40 | A-53 | \$5,658 |
| 075180T3E365T-W40 | A-54 | \$5,658 |
| 075180T3E365T-W40G | A-178 | \$6,498 |
| 075180T3ERB365T-W40 | A-54 | \$6,632 |
| 075180T3G365JM-W40 | A-213 | \$6,932 |
| 075180T3G365JP-W40 | A-217 | \$6,932 |
| 075180T3G365TS-W40 | A-54 | \$5,658 |
| 075180T3G365T-W40 | A-54 | \$5,658 |

| Part Number | Page(s) | Price |
|----------------------|--------------------|----------|
| 075180T3GRB365T-W40 | A-54 | \$6,632 |
| 075180T3H365JM-W40 | A-213 | \$6,932 |
| 075180T3H365JP-W40 | A-217 | \$6,932 |
| 075180T3H365TC-W40 | A-58 | \$6,052 |
| 075180T3H365TS-W40 | A-54 | \$5,658 |
| 075180T3H365T-W40 | A-54 | \$5,658 |
| 075180T3H365T-W40G | A-178 | \$6,498 |
| 075180T3V365JPV-W40 | A-219 | \$7,331 |
| 075180T3V365TS-W40 | A-54 | \$5,658 |
| 07518ST3HIE365T-W22 | A-64; A-99 | \$9,289 |
| 07518ST3QIE365T-W22 | A-64; A-99 | \$9,289 |
| 07518XT3E365T | A-117 | \$11,125 |
| 07518XT3E365TC | A-120 | \$11,781 |
| 07518XT3H365T | A-117 | \$11,125 |
| 07530EP30FP365TS-W22 | A-231 | \$8,636 |
| 07536EG3E365TS-W22 | A-80 | \$10,000 |
| 07536ET3E365HP-W22 | A-233 | \$10,977 |
| 07536ET3E365JM-W22 | A-205 | \$11,124 |
| 07536ET3E365JP-W22 | A-209 | \$11,321 |
| 07536ET3E365TSC-W22 | A-45; A-94 | \$9,533 |
| 07536ET3E365TS-W22 | A-38; A-89 | \$9,091 |
| 07536ET3E365TS-W22G | A-174 | \$9,931 |
| 07536ET3G365JP-W22 | A-209 | \$11,321 |
| 07536ET3G365TS-W22 | A-38; A-89 | \$9,091 |
| 07536ET3H365JM-W22 | A-205 | \$11,124 |
| 07536ET3H365JP-W22 | A-209 | \$11,321 |
| 07536ET3H365TS-W22 | A-38; A-89 | \$9,091 |
| 07536ET3H365TS-W22G | A-174 | \$9,931 |
| 07536ET3Y280S/M-W22 | A-77; A-109; A-240 | \$12,472 |
| 075360P3EFP364JPV-W4 | A-230 | \$7,525 |
| 075360P3EFP364TS-W40 | A-225 | \$5,074 |
| 075360P3HFP364JPV-W4 | A-230 | \$7,525 |
| 075360P3HFP364TS-W40 | A-225 | \$5,074 |
| 075360P3JFP364TS-W40 | A-225 | \$5,074 |
| 075360P3VFP364JPV-W4 | A-230 | \$7,525 |
| 075360P3VFP364TS-W40 | A-225 | \$5,074 |
| 075360T3E364JM-W40 | A-213 | \$6,951 |
| 075360T3E364JPV* | A-219 | \$8,121 |
| 075360T3E364JPV-W40 | A-219 | \$8,121 |
| 075360T3E364JP-W40 | A-217 | \$7,699 |
| 075360T3E364TSC-W40 | A-59 | \$6,193 |
| 075360T3E364TSC-W40G | A-178 | \$6,566 |
| 075360T3E364TS-W40 | A-54 | \$5,799 |
| 075360T3E364TS-W40G | A-178 | \$6,172 |
| 075360T3G364JM-W40 | A-213 | \$6,951 |
| 075360T3G364JP-W40 | A-217 | \$7,699 |
| 075360T3G364TS-W40 | A-54 | \$5,799 |
| 075360T3H364JMV-W40 | A-214 | \$7,351 |
| 075360T3H364JM-W40 | A-213 | \$6,951 |
| 075360T3H364JPV-W40 | A-219 | \$8,121 |
| 075360T3H364JP-W40 | A-217 | \$7,699 |

| Part Number | Page(s) | Price |
|----------------------|--------------------|----------|
| 075360T3H364TS-W40 | A-54 | \$5,799 |
| 075360T3V364JPV-W40 | A-219 | \$8,121 |
| 075360T3V364JP-W40 | A-217 | \$7,699 |
| 075360T3V364TS-W40 | A-54 | \$5,799 |
| 07536ST3HIE365TS-W22 | A-64; A-99 | \$10,210 |
| 07536ST3QIE365TS-W22 | A-64; A-99 | \$10,210 |
| 07536XT3E365TS | A-117 | \$11,285 |
| 07536XT3H365TS | A-117 | \$11,285 |
| 07589EP3PCT404VF1-W2 | A-187 | \$14,226 |
| 07589EP3PCT404V-W22 | A-187 | \$14,226 |
| 07589EP3QCT404VF1-W2 | A-187 | \$14,226 |
| 07589EP3QCT404V-W22 | A-187 | \$14,226 |
| 09009ET3Y315S/M-W22 | A-77; A-109; A-240 | \$21,288 |
| 09012ET3Y315S/M-W22 | A-77; A-109; A-240 | \$19,448 |
| 09018ET3Y280S/M-W22 | A-77; A-110; A-240 | \$15,220 |
| 09036ET3Y280S/M-W22 | A-77; A-110; A-240 | \$16,720 |
| 10009ET3E445T-W22 | A-38; A-89 | \$26,988 |
| 10009ET3G445T-W22 | A-38; A-89 | \$26,988 |
| 10009ET3GKD445T-W22 | A-105 | \$26,988 |
| 10009ST3QIE445T-W22 | A-64; A-99 | \$24,681 |
| 10009ST3QIERB445T-W2 | A-64; A-99 | \$24,681 |
| 10009XT3E445T | A-117 | \$31,191 |
| 10009XT3G445T | A-117 | \$31,191 |
| 10012EG3E444T-W22 | A-80 | \$17,194 |
| 10012ES3EOW445T-W22 | A-261 | \$18,074 |
| 10012ET3E444T-W22 | A-38; A-89 | \$15,631 |
| 10012ET3E444T-W22G | A-174 | \$17,181 |
| 10012ET3ECT444T-W22 | A-182 | \$17,194 |
| 10012ET3ERB444T-W22 | A-38; A-89 | \$15,631 |
| 10012ET3G444T-W22 | A-38; A-89 | \$15,631 |
| 10012ET3GRB444T-W22 | A-38; A-89; A-105 | \$15,631 |
| 10012ET3H444T-W22 | A-38; A-89 | \$15,631 |
| 10012ET3H444T-W22G | A-174 | \$17,181 |
| 10012ET3PCT444T-W22 | A-182 | \$17,194 |
| 100120T3E444T-W40 | A-54 | \$11,863 |
| 100120T3E444T-W40G | A-178 | \$13,463 |
| 100120T3G444T-W40 | A-54 | \$11,863 |
| 10012ST3HIE444T-W22 | A-64; A-99 | \$17,933 |
| 10012ST3QIE444T-W22 | A-64; A-99 | \$17,933 |
| 10012ST3QIERB444T-W2 | A-64; A-99 | \$17,933 |
| 10012XT3E444T | A-117 | \$21,032 |
| 10012XT3G444T | A-117 | \$21,032 |
| 10015EP30FP405TS-W22 | A-231 | \$11,105 |
| 10018EG3E405T-W22 | A-80 | \$12,858 |
| 10018ET3E405HPH-W22 | A-233 | \$11,222 |
| 10018ET3E405HP-W22 | A-233 | \$11,222 |
| 10018ET3E405JM-W22 | A-205 | \$12,300 |
| 10018ET3E405JP-W22 | A-209 | \$12,411 |
| 10018ET3E405TC-W22 | A-45; A-94 | \$12,179 |
| 10018ET3E405TSC-W22 | A-45; A-94 | \$12,179 |
| 10018ET3E405TS-W22 | A-38; A-89; A-105 | \$11,689 |

| Part Number | Page(s) | Price |
|----------------------|-------------------|----------|
| 10018ET3E405T-W22 | A-38; A-89 | \$11,689 |
| 10018ET3E405T-W22G | A-174 | \$12,889 |
| 10018ET3ECT405T-W22 | A-182 | \$13,092 |
| 10018ET3ERB405T-W22 | A-38; A-89 | \$11,689 |
| 10018ET3G405HPH-W22 | A-234 | \$11,222 |
| 10018ET3G405HP-W22 | A-234 | \$11,222 |
| 10018ET3G405JM-W22 | A-205 | \$12,300 |
| 10018ET3G405JP-W22 | A-209 | \$12,411 |
| 10018ET3G405T-W22 | A-38; A-89 | \$11,689 |
| 10018ET3GRB405T-W22 | A-38; A-89; A-105 | \$11,689 |
| 10018ET3H405TC-W22 | A-45; A-94 | \$12,179 |
| 10018ET3H405T-W22 | A-38; A-89 | \$11,689 |
| 10018ET3H405T-W22G | A-174 | \$12,889 |
| 10018ET3HRB405T-W22 | A-38; A-89; A-105 | \$11,689 |
| 10018ET3PCT405T-W22 | A-182 | \$13,092 |
| 100180P3EFP404JPV* | A-230 | \$8,825 |
| 100180P3EFP404JPV-W4 | A-230 | \$8,825 |
| 100180P3EFP404TC-W40 | A-227 | \$6,510 |
| 100180P3EFP404TS-W40 | A-225 | \$6,065 |
| 100180P3EFP404T-W40 | A-225 | \$6,065 |
| 100180P3HFP404TC-W40 | A-227 | \$6,510 |
| 100180P3HFP404TS-W40 | A-226 | \$6,065 |
| 100180P3VFP404JPV-W4 | A-230 | \$8,825 |
| 100180P3VFP404TC-W40 | A-227 | \$6,510 |
| 100180P3VFP404TS-W40 | A-226 | \$6,065 |
| 100180T3E404JPV-W40 | A-219 | \$9,237 |
| 100180T3E404JP-W40 | A-217 | \$8,783 |
| 100180T3E404TC-W40 | A-59 | \$7,587 |
| 100180T3E404TSC-W40 | A-59 | \$7,587 |
| 100180T3E404TS-W40 | A-54 | \$7,141 |
| 100180T3E404TS-W40G | A-178 | \$7,751 |
| 100180T3E404T-W40 | A-54 | \$7,141 |
| 100180T3E404T-W40G | A-178 | \$8,341 |
| 100180T3ERB404T-W40 | A-54 | \$7,141 |
| 100180T3G404JP-W40 | A-217 | \$8,783 |
| 100180T3G404TS-W40 | A-54 | \$7,141 |
| 100180T3G404T-W40 | A-54 | \$7,141 |
| 100180T3GRB404T-W40 | A-54 | \$7,141 |
| 100180T3H404TC-W40 | A-59 | \$7,587 |
| 100180T3H404TSC-W40 | A-59 | \$7,587 |
| 100180T3H404T-W40 | A-54 | \$7,141 |
| 100180T3H404T-W40G | A-178 | \$8,341 |
| 100180T3V404JPV-W40 | A-219 | \$9,237 |
| 100180T3V404TS-W40 | A-54 | \$7,141 |
| 10018ST3HIE405T-W22 | A-64; A-99 | \$12,471 |
| 10018ST3HIERB405T-W2 | A-64; A-99 | \$12,471 |
| 10018ST3QIE405T-W22 | A-64; A-99 | \$12,471 |
| 10018ST3QIERB405T-W2 | A-64; A-99 | \$12,471 |
| 10018XT3E405T | A-117 | \$14,206 |
| 10018XT3E405TC | A-120 | \$14,993 |
| 10018XT3G405T | A-117 | \$14,206 |

| Part Number | Page(s) | Price |
|----------------------|--------------------|----------|
| 10018XT3H405T | A-117 | \$14,206 |
| 10030EP30FP405TS-W22 | A-231 | \$11,402 |
| 10036EG3E405TS-W22 | A-80 | \$13,202 |
| 10036ET3E405HPP-W22 | A-234 | \$12,908 |
| 10036ET3E405HP-W22 | A-234 | \$12,908 |
| 10036ET3E405JM-W22 | A-205 | \$13,093 |
| 10036ET3E405JP-W22 | A-209 | \$13,949 |
| 10036ET3E405TS-W22 | A-38; A-89 | \$12,002 |
| 10036ET3E405TS-W22G | A-174 | \$13,202 |
| 10036ET3G405HPP-W22 | A-234 | \$12,908 |
| 10036ET3G405HP-W22 | A-234 | \$12,908 |
| 10036ET3G405JM-W22 | A-205 | \$13,093 |
| 10036ET3G405JP-W22 | A-209 | \$13,949 |
| 10036ET3G405TS-W22 | A-38; A-89; A-105 | \$12,002 |
| 10036ET3H405TS-W22 | A-38; A-89 | \$12,002 |
| 100360P3EFP365JPV-W4 | A-230 | \$8,860 |
| 100360P3EFP365TS-W40 | A-226 | \$6,152 |
| 100360P3HFP365JPV-W4 | A-230 | \$8,860 |
| 100360P3HFP365TS-W40 | A-226 | \$6,152 |
| 100360P3JFP365TS-W40 | A-226 | \$6,152 |
| 100360P3VFP365JPV-W4 | A-230 | \$8,860 |
| 100360P3VFP365TS-W40 | A-226 | \$6,152 |
| 100360T3E365JM-W40 | A-213 | \$8,683 |
| 100360T3E365JPV-W40 | A-219 | \$8,609 |
| 100360T3E365JP-W40 | A-217 | \$8,173 |
| 100360T3E365TS-W40 | A-54 | \$6,644 |
| 100360T3E365TS-W40G | A-178 | \$7,484 |
| 100360T3G365JM-W40 | A-213 | \$8,683 |
| 100360T3G365JP-W40 | A-217 | \$8,173 |
| 100360T3G365TS-W40 | A-54 | \$6,644 |
| 100360T3H365JPV-W40 | A-219 | \$8,609 |
| 100360T3H365TS-W40 | A-54 | \$6,644 |
| 100360T3V365JPV-W40 | A-219 | \$8,609 |
| 100360T3V365TS-W40 | A-54 | \$6,644 |
| 10036ST3HIE405TS-W22 | A-64; A-99 | \$12,806 |
| 10036ST3QIE405TS-W22 | A-64; A-99 | \$12,806 |
| 10036XT3E405TS | A-117 | \$12,999 |
| 10036XT3G405TS | A-117 | \$12,999 |
| 10036XT3H405TS | A-117 | \$12,999 |
| 10089EP3PCT444VF1-W2 | A-187 | \$16,398 |
| 10089EP3PCT444V-W22 | A-187 | \$16,398 |
| 10089EP3QCT444VF1-W2 | A-187 | \$16,398 |
| 10089EP3QCT444V-W22 | A-187 | \$16,398 |
| 11009ET3Y315L-W22 | A-77; A-110; A-240 | \$27,910 |
| 11012ET3Y315S/M-W22 | A-77; A-110; A-240 | \$22,507 |
| 11018ET3Y280S/M-W22 | A-77; A-110; A-240 | \$17,078 |
| 11036ET3Y315S/M-W22 | A-77; A-110; A-240 | \$21,018 |
| 12509ET3G447T-W22 | A-38; A-89 | \$28,175 |
| 12509ET3GKD447T-W22 | A-105 | \$28,175 |
| 12509ST3QIE447T-W22 | A-64; A-99 | \$29,733 |
| 12509ST3QIERB447T-W2 | A-64; A-99 | \$29,733 |

| Part Number | Page(s) | Price |
|----------------------|-------------------|----------|
| 12512EG3G445T-W22 | A-80 | \$19,742 |
| 12512ET3E445T-W22 | A-38; A-89 | \$17,947 |
| 12512ET3E445T-W22G | A-174 | \$19,497 |
| 12512ET3ERB445T-W22 | A-39; A-90 | \$17,947 |
| 12512ET3G445T-W22 | A-39; A-90 | \$17,947 |
| 12512ET3GRB445T-W22 | A-39; A-90; A-105 | \$17,947 |
| 12512ET3H445T-W22 | A-39; A-90 | \$17,947 |
| 12512ET3H445T-W22G | A-174 | \$19,497 |
| 125120T3G445T-W40 | A-54 | \$12,753 |
| 125120T3G445T-W40G | A-178 | \$14,353 |
| 12512ST3HIE445T-W22 | A-64; A-99 | \$20,158 |
| 12512ST3QIE445T-W22 | A-64; A-99 | \$20,158 |
| 12512ST3QIERB445T-W2 | A-64; A-99 | \$20,158 |
| 12512XT3G445T | A-117 | \$21,537 |
| 12515EP30FP444TS-W22 | A-231 | \$14,011 |
| 12518EG3G444T-W22 | A-80 | \$16,223 |
| 12518ET3E444T-W22 | A-45; A-94 | \$16,218 |
| 12518ET3E444TC-W22G | A-175 | \$16,904 |
| 12518ET3E444TS-W22 | A-39; A-90; A-105 | \$14,748 |
| 12518ET3E444T-W22 | A-39; A-90 | \$14,748 |
| 12518ET3E444T-W22G | A-175 | \$16,298 |
| 12518ET3ERB444T-W22 | A-39; A-90 | \$14,748 |
| 12518ET3G444HP-W22 | A-234 | \$15,687 |
| 12518ET3G444TC-W22 | A-45; A-94 | \$16,218 |
| 12518ET3G444TC-W22G | A-175 | \$17,768 |
| 12518ET3G444TSC-W22 | A-45; A-94 | \$16,218 |
| 12518ET3G444T-W22 | A-39; A-90 | \$14,748 |
| 12518ET3GRB444T-W22 | A-39; A-90; A-105 | \$14,748 |
| 12518ET3H444TC-W22 | A-45; A-94 | \$16,218 |
| 12518ET3H444T-W22 | A-39; A-90 | \$14,748 |
| 12518ET3H444T-W22G | A-175 | \$16,298 |
| 125180P3EFP405TS-W40 | A-226 | \$6,651 |
| 125180P3GFP405TC-W40 | A-227 | \$6,651 |
| 125180P3GFP405TS-W40 | A-226 | \$6,651 |
| 125180P3HFP405TC-W40 | A-227 | \$6,651 |
| 125180P3HFP405TS-W40 | A-226 | \$6,651 |
| 125180T3E405TC-W40 | A-59 | \$8,427 |
| 125180T3E405TC-W40G | A-178 | \$9,627 |
| 125180T3E405TSC-W40 | A-59 | \$8,427 |
| 125180T3E405TS-W40 | A-54 | \$7,981 |
| 125180T3E405T-W40 | A-54 | \$7,981 |
| 125180T3E405T-W40G | A-178 | \$9,181 |
| 125180T3ERB405T-W40 | A-54 | \$7,981 |
| 125180T3G405JP-W40 | A-217 | \$10,317 |
| 125180T3G405TC-W40 | A-59 | \$8,427 |
| 125180T3G405TSC-W40 | A-59 | \$8,427 |
| 125180T3G405TS-W40 | A-54 | \$7,981 |
| 125180T3G405T-W40 | A-54 | \$7,981 |
| 125180T3GRB405T-W40 | A-54 | \$7,981 |
| 125180T3H405TC-W40 | A-59 | \$8,427 |
| 125180T3H405T-W40 | A-54 | \$7,981 |

| Part Number | Page(s) | Price |
|----------------------|--------------------|----------|
| 125180T3H405T-W40G | A-178 | \$9,181 |
| 12518ST3HIE444T-W22 | A-64; A-99 | \$16,564 |
| 12518ST3QIE444T-W22 | A-64; A-99 | \$16,564 |
| 12518ST3QIERB444T-W2 | A-64; A-99 | \$16,564 |
| 12518XT3E444T | A-117 | \$19,961 |
| 12518XT3G444T | A-117 | \$19,961 |
| 12530EP30FP444TS-W22 | A-231 | \$14,583 |
| 12536EG3G444TS-W22 | A-81 | \$16,885 |
| 12536ET3E444TS-W22 | A-39; A-90; A-105 | \$15,350 |
| 12536ET3E444TS-W22G | A-175 | \$16,900 |
| 12536ET3G444HP-W22 | A-234 | \$17,969 |
| 12536ET3G444TS-W22 | A-39; A-90 | \$15,350 |
| 12536ET3H444TS-W22 | A-39; A-90 | \$15,350 |
| 12536ET3H444TS-W22G | A-175 | \$16,900 |
| 125360P3EFP404TS-W40 | A-226 | \$7,762 |
| 125360P3GFP404TS-W40 | A-226 | \$7,762 |
| 125360P3HFP404TS-W40 | A-226 | \$7,762 |
| 125360P3JFP404TS-W40 | A-226 | \$7,762 |
| 125360P3VFP404TS-W40 | A-226 | \$7,762 |
| 125360T3E404TS-W40 | A-54 | \$8,826 |
| 125360T3E404TS-W40G | A-178 | \$10,026 |
| 125360T3G404JP-W40 | A-217 | \$10,563 |
| 125360T3G404TS-W40 | A-54 | \$8,826 |
| 125360T3H404TS-W40 | A-54 | \$8,826 |
| 12536ST3HIE444TS-W22 | A-64; A-99 | \$18,198 |
| 12536ST3QIE444TS-W22 | A-64; A-99 | \$18,198 |
| 12536XT3G444TS | A-117 | \$20,874 |
| 13209ET3Y315L-W22 | A-77; A-110; A-240 | \$33,687 |
| 1321007139** | A-129; A-131 | \$1,696 |
| 1321007140** | A-130; A-132 | \$1,676 |
| 1321087139** | A-129; A-131 | \$1,696 |
| 1321087140** | A-130; A-132 | \$1,676 |
| 13212ET3Y315S/M-W22 | A-77; A-110; A-240 | \$25,642 |
| 13218ET3Y315S/M-W22 | A-77; A-110; A-240 | \$19,732 |
| 13236ET3Y315S/M-W22 | A-77; A-110; A-240 | \$23,180 |
| 15009ET3G449T-W22 | A-39; A-90 | \$30,677 |
| 15009ET3GKD447T-W22 | A-105 | \$30,677 |
| 15009ST3QIE447T-W22 | A-64; A-99 | \$34,755 |
| 15009ST3QIERB447T-W2 | A-64; A-99 | \$34,755 |
| 15012EG3G449T-W22 | A-81 | \$22,703 |
| 15012ET3E447T-W22 | A-39; A-90 | \$20,639 |
| 15012ET3G447T-W22 | A-39; A-90 | \$20,639 |
| 15012ET3GRB447T-W22 | A-39; A-90 | \$20,639 |
| 15012ET3H447T-W22 | A-39; A-90 | \$20,639 |
| 15012ET3Y315L-W22 | A-77; A-110; A-240 | \$28,298 |
| 150120T3G445T-W40 | A-54 | \$13,615 |
| 15012ST3HIE447T-W22 | A-65; A-100 | \$23,181 |
| 15012ST3QIE447T-W22 | A-65; A-100 | \$23,181 |
| 15012ST3QIERB447T-W2 | A-65; A-100 | \$23,181 |
| 15012XT3G447T | A-117 | \$32,370 |
| 15012XT3G504 | A-117 | \$32,370 |

| Part Number | Page(s) | Price |
|----------------------|--------------------|----------|
| 15015EP30FP445TS-W22 | A-231 | \$16,549 |
| 15018EG3G445T-W22 | A-81 | \$19,162 |
| 15018ET3E445TC-W22 | A-45; A-94 | \$18,025 |
| 15018ET3E445TC-W22G | A-175 | \$19,575 |
| 15018ET3G445T-W22 | A-39; A-90; A-105 | \$17,420 |
| 15018ET3G445HP-W22 | A-234 | \$17,845 |
| 15018ET3G445TC-W22 | A-45; A-94 | \$18,025 |
| 15018ET3G445TC-W22G | A-175 | \$19,575 |
| 15018ET3G445TS-W22 | A-39; A-90 | \$17,420 |
| 15018ET3G445T-W22 | A-39; A-90 | \$17,420 |
| 15018ET3GRB445T-W22 | A-39; A-90 | \$17,420 |
| 15018ET3H445T-W22 | A-39; A-90 | \$17,420 |
| 15018ET3HRB445T-W22 | A-39; A-90; A-105 | \$17,420 |
| 15018ET3Y315S/M-W22 | A-77; A-110; A-240 | \$21,772 |
| 150180P3EFP444TS-W40 | A-226 | \$8,891 |
| 150180P3GFP444TS-W40 | A-226 | \$8,891 |
| 150180P3HFP444TS-W40 | A-226 | \$8,891 |
| 150180T3G444TC-W40 | A-59 | \$11,228 |
| 150180T3G444TSC-W40 | A-59 | \$11,228 |
| 150180T3G444TS-W40 | A-54 | \$10,668 |
| 150180T3G444T-W40 | A-54 | \$10,668 |
| 150180T3GRB444T-W40 | A-54 | \$10,668 |
| 150180T3H444TC-W40 | A-59 | \$11,228 |
| 150180T3H444T-W40 | A-54 | \$10,668 |
| 15018ST3HIE445T-W22 | A-65; A-100 | \$18,587 |
| 15018ST3HIERB445T-W2 | A-65; A-100 | \$18,587 |
| 15018ST3QIE445T-W22 | A-65; A-100 | \$18,587 |
| 15018ST3QIERB445T-W2 | A-65; A-100 | \$18,587 |
| 15018XT3E445T | A-118 | \$21,557 |
| 15018XT3G445T | A-118 | \$21,557 |
| 15018XT3H445T | A-118 | \$21,557 |
| 15030EP30FP445TS-W22 | A-231 | \$17,938 |
| 15036EG3G445TS-W22 | A-81 | \$20,770 |
| 15036ET3E445TS-W22 | A-39; A-90 | \$18,882 |
| 15036ET3G445HP-W22 | A-234 | \$20,517 |
| 15036ET3G445TS-W22 | A-39; A-90; A-105 | \$18,882 |
| 15036ET3Y315S/M-W22 | A-77; A-110; A-240 | \$26,249 |
| 150360P3EFP405TS-W40 | A-226 | \$10,042 |
| 150360P3GFP405TS-W40 | A-226 | \$10,042 |
| 150360P3HFP405TS-W40 | A-226 | \$10,042 |
| 150360P3JFP405TS-W40 | A-226 | \$10,042 |
| 150360P3VFP405TS-W40 | A-226 | \$10,042 |
| 150360T3G405JP-W40 | A-217 | \$13,922 |
| 150360T3G405TSC-W40 | A-59 | \$11,862 |
| 150360T3G405TS-W40 | A-54 | \$11,416 |
| 150360T3G405TS-W40G | A-178 | \$12,616 |
| 150360T3H405TS-W40 | A-54 | \$11,416 |
| 15036ST3HIE445TS-W22 | A-65; A-100 | \$21,433 |
| 15036ST3QIE445TS-W22 | A-65; A-100 | \$21,433 |
| 15036XT3G445TS | A-118 | \$21,320 |
| 161AHI-311.5M | A-287 | \$3,468 |

| Part Number | Page(s) | Price |
|----------------------|--------------------|----------|
| 161AIHI-S | A-287 | \$3,468 |
| 161AIHS-3115M | A-290 | \$3,206 |
| 161AIHS-S | A-290 | \$3,206 |
| 162AID-3115M | A-290 | \$4,078 |
| 162AID-S | A-290 | \$4,078 |
| 18512ET3Y355M/L-W22 | A-77; A-110; A-240 | \$43,876 |
| 18518ET3Y315S/M-W22 | A-77; A-110; A-240 | \$26,247 |
| 18536ET3Y315S/M-W22 | A-77; A-110; A-240 | \$26,529 |
| 20009ET3G449T-W22 | A-39; A-90 | \$49,899 |
| 20009ET3GKD449T-W22 | A-105 | \$49,899 |
| 20009ST3HIE449T-W22 | A-65; A-100 | \$57,394 |
| 20009ST3QIE449T-W22 | A-65; A-100 | \$57,394 |
| 20009ST3QIERB449T-W2 | A-65; A-100 | \$57,394 |
| 20012EG3G449T-W22 | A-81 | \$27,646 |
| 20012ET3E449T-W22 | A-39; A-90 | \$25,255 |
| 20012ET3G447T-W22 | A-40; A-91 | \$25,133 |
| 20012ET3G449T-W22 | A-40; A-91 | \$25,255 |
| 20012ET3G505-W22 | A-40; A-91 | \$25,133 |
| 20012ET3GKD505Z-W22 | A-105 | \$25,133 |
| 20012ET3GRB447T-W22 | A-40; A-91 | \$25,133 |
| 20012ET3GRB449T-W22 | A-40; A-91 | \$25,255 |
| 20012ET3H449T-W22 | A-40; A-91; A-105 | \$25,255 |
| 20012ET3HKD505Z-W22 | A-105 | \$25,133 |
| 20012ET3XL449-W22MV | A-271 | \$43,039 |
| 20012ET3XL449-W22MVR | A-271 | \$43,039 |
| 200120T3G447/9T-W40 | A-54 | \$23,380 |
| 20012ST3HIE449T-W22 | A-65; A-100 | \$27,577 |
| 20012ST3HIERB449T-W2 | A-65; A-100 | \$27,557 |
| 20012ST3QIE449T-W22 | A-65; A-100 | \$27,577 |
| 20012ST3QIERB449T-W2 | A-65; A-100 | \$27,557 |
| 20012XT3G447T | A-118 | \$33,613 |
| 20015EP30FP447TS-W22 | A-231 | \$20,043 |
| 20018EG3G449T-W22 | A-81 | \$23,208 |
| 20018ET3E447T-W22 | A-40; A-91; A-105 | \$21,098 |
| 20018ET3G447TC-W22 | A-45; A-94 | \$21,704 |
| 20018ET3G447TS-W22 | A-40; A-91 | \$21,098 |
| 20018ET3G447T-W22 | A-40; A-91 | \$21,098 |
| 20018ET3G504-W22 | A-40; A-91 | \$21,098 |
| 20018ET3GRB447T-W22 | A-40; A-91 | \$21,098 |
| 20018ET3H447T-W22 | A-40; A-91 | \$21,098 |
| 20018ET3HRB447T-W22 | A-40; A-91; A-105 | \$21,098 |
| 20018ET3XL449-W22MV | A-275 | \$37,790 |
| 20018ET3XL449-W22MVR | A-275 | \$37,790 |
| 200180P3GFP445TS-W40 | A-226 | \$10,837 |
| 200180P3HFP445TS-W40 | A-226 | \$10,837 |
| 200180T3G445TC-W40 | A-59 | \$13,564 |
| 200180T3G445TS-W40 | A-54 | \$13,004 |
| 200180T3G445T-W40 | A-55 | \$13,004 |
| 200180T3GRB445T-W40 | A-55 | \$13,004 |
| 20018ST3HIE447T-W22 | A-65; A-100 | \$23,696 |
| 20018ST3QIE447T-W22 | A-65; A-100 | \$23,696 |

| Part Number | Page(s) | Price |
|----------------------|--------------------|----------|
| 20018ST3QIERB447T-W2 | A-65; A-100 | \$23,696 |
| 20018XT3G447T | A-118 | \$29,397 |
| 20018XT3G504 | A-118 | \$29,397 |
| 20030EP30FP447TS-W22 | A-231 | \$22,384 |
| 20036EG3G447TS-W22 | A-81 | \$25,918 |
| 20036ET3E447TS-W22 | A-40; A-91 | \$23,562 |
| 20036ET3G447TS-W22 | A-40; A-91; A-105 | \$23,562 |
| 20036ET3G504S-W22 | A-40; A-91 | \$23,562 |
| 20036ET3XL449-W22MV | A-275 | \$38,054 |
| 20036ET3XL449-W22MVR | A-275 | \$38,054 |
| 200360P3GFP444TS-W40 | A-226 | \$12,782 |
| 200360P3HFP444TS-W40 | A-226 | \$12,782 |
| 200360P3JFP444TS-W40 | A-226 | \$12,782 |
| 200360T3G444TSC-W40 | A-59 | \$15,064 |
| 200360T3G444TS-W40 | A-55 | \$14,504 |
| 200360T3H444TS-W40 | A-55 | \$14,504 |
| 20036ST3HIE447TS-W22 | A-65; A-100 | \$28,568 |
| 20036ST3QIE447TS-W22 | A-65; A-100 | \$28,568 |
| 20036XT3G447TS | A-118 | \$29,446 |
| 201AIHE-S | A-290 | \$6,143 |
| 201AIHV-S | A-290 | \$5,357 |
| 202AIJV-S | A-290 | \$7,607 |
| 202AVS-S | A-290 | \$6,643 |
| 22012ET3Y355M/L-W22 | A-77; A-110; A-240 | \$46,322 |
| 22018ET3Y315L-W22 | A-77; A-110; A-240 | \$36,234 |
| 22036ET3Y315L-W22 | A-77; A-110; A-240 | \$44,212 |
| 25009ET3G449T-W22 | A-40; A-91 | \$56,168 |
| 25009ET3GKD586/7-W22 | A-105 | \$56,168 |
| 25012ET3E449T-W22 | A-40; A-91 | \$35,555 |
| 25012ET3G449T-W22 | A-40; A-91 | \$35,555 |
| 25012ET3G586/7-W22 | A-40; A-91 | \$39,631 |
| 25012ET3GKD449T-W22 | A-105 | \$35,555 |
| 25012ET3GKD580Z-W22 | A-105 | \$39,631 |
| 25012ET3GRB449T-W22 | A-40; A-91 | \$35,555 |
| 25012ET3H449T-W22 | A-40; A-91 | \$35,555 |
| 25012ET3HKD580Z-W22 | A-105 | \$39,631 |
| 25012ET3X5009-W50MV | A-275 | \$48,810 |
| 250120T3G447/9T-W40 | A-55 | \$27,249 |
| 25012ST3QIE449T-W22 | A-65; A-100 | \$39,415 |
| 25012ST3QIERB449T-W2 | A-65; A-100 | \$39,415 |
| 25012XT3G449T | A-118 | \$48,048 |
| 25015EP30FP449TS-W22 | A-231 | \$25,463 |
| 25018EG3G449T-W22 | A-81 | \$29,388 |
| 25018ET3G447TSC-W22 | A-45; A-94 | \$34,280 |
| 25018ET3G447TS-W22 | A-40; A-91; A-105 | \$27,189 |
| 25018ET3G447T-W22 | A-40; A-91 | \$26,716 |
| 25018ET3G449T-W22 | A-40; A-91 | \$26,803 |
| 25018ET3GKD447T-W22 | A-105 | \$26,716 |
| 25018ET3GKD505Z-W22 | A-105 | \$26,716 |
| 25018ET3GRB447T-W22 | A-40; A-91 | \$26,716 |
| 25018ET3GRB449T-W22 | A-40; A-91 | \$26,803 |

| Part Number | Page(s) | Price |
|----------------------|--------------------|----------|
| 25018ET3H447TS-W22 | A-40; A-91; A-105 | \$27,189 |
| 25018ET3HRB447T-W22 | A-40; A-91; A-105 | \$26,716 |
| 25018ET3Q447TSC-W22 | A-81 | \$27,322 |
| 25018ET3X5009-W50MV | A-275 | \$42,249 |
| 250180P3GFP445TS-W40 | A-226 | \$13,358 |
| 250180P3HFP445TS-W40 | A-226 | \$13,358 |
| 250180T3G445TC-W40 | A-59 | \$16,073 |
| 250180T3G445TS-W40 | A-55 | \$15,513 |
| 250180T3G445T-W40 | A-55 | \$15,513 |
| 250180T3GRB445T-W40 | A-55 | \$15,513 |
| 250180T3H445T-W40 | A-55 | \$15,513 |
| 25018ST3QIE449T-W22 | A-65; A-100 | \$30,081 |
| 25018ST3QIERB449T-W2 | A-65; A-100 | \$30,081 |
| 25018XT3G447T | A-118 | \$32,866 |
| 25018XT3H447T | A-118 | \$32,866 |
| 25030EP30FP449TS-W22 | A-231 | \$31,514 |
| 25036EG3G447TS-W22 | A-81 | \$32,831 |
| 25036ET3G447TS-W22 | A-40; A-91 | \$29,846 |
| 25036ET3G449TS-W22 | A-40; A-91; A-105 | \$33,173 |
| 25036ET3X5009-W50MV | A-275 | \$42,512 |
| 250360P3GFP445TS-W40 | A-226 | \$15,654 |
| 250360P3HFP445TS-W40 | A-226 | \$15,654 |
| 250360T3G445TSC-W40 | A-59 | \$19,543 |
| 250360T3G445TS-W40 | A-55 | \$18,983 |
| 250360T3H445TS-W40 | A-55 | \$18,983 |
| 25036ST3QIE449TS-W22 | A-65; A-100 | \$34,663 |
| 25036XT3G447TS | A-118 | \$31,124 |
| 250MI60AI-2115M | A-290 | \$11,598 |
| 250MI60AI-S | A-290 | \$11,598 |
| 250MI70AI-S | A-291 | \$13,393 |
| 250MI80AI-S | A-291 | \$14,250 |
| 250SI50AI-2115M | A-291 | \$10,735 |
| 250SI50AI-3115M | A-291 | \$10,735 |
| 250SI50AI-S | A-291 | \$10,735 |
| 251AIHD-S | A-290 | \$8,393 |
| 251AIHE-2115M | A-290 | \$9,821 |
| 251AIHE-S | A-290 | \$9,821 |
| 26012ET3Y355M/L-W22 | A-77; A-110; A-240 | \$53,001 |
| 26018ET3Y355M/L-W22 | A-77; A-110; A-240 | \$43,761 |
| 26036ET3Y355M/L-W22 | A-77; A-110; A-240 | \$50,637 |
| 280MI50AI-S | A-291 | \$15,520 |
| 280MI60AI-S | A-291 | \$17,218 |
| 30009ET3G449T-W22 | A-40; A-91 | \$58,655 |
| 30009ET3GKD586/7-W22 | A-105 | \$58,655 |
| 30012ET3G449T-W22 | A-40; A-91 | \$38,437 |
| 30012ET3G586/7-W22 | A-40; A-91 | \$44,301 |
| 30012ET3GKD449T-W22 | A-105 | \$38,437 |
| 30012ET3GKD580Z-W22 | A-106 | \$44,301 |
| 30012ET3GKD586/7-W22 | A-106 | \$44,301 |
| 30012ET3HKD580Z-W22 | A-106 | \$44,301 |
| 30012ET3X5009-W50MV | A-275 | \$55,371 |

| Part Number | Page(s) | Price |
|----------------------|--------------------|----------|
| 300120T3G447/9T-W40 | A-55 | \$29,853 |
| 30012ST3QIE449T-W22 | A-65; A-100 | \$44,648 |
| 30012ST3QIERB449T-W2 | A-65; A-100 | \$44,648 |
| 30012XT3G449T | A-118 | \$52,790 |
| 30018ET3G449TC-W22 | A-45; A-95 | \$31,990 |
| 30018ET3G449TS-W22 | A-40; A-91 | \$31,384 |
| 30018ET3G449T-W22 | A-40; A-91 | \$31,384 |
| 30018ET3GKD449T-W22 | A-106 | \$31,384 |
| 30018ET3GKD580Z-W22 | A-106 | \$39,112 |
| 30018ET3GRB449T-W22 | A-40; A-91 | \$31,384 |
| 30018ET3HKD580Z-W22 | A-106 | \$39,112 |
| 30018ET3X5009-W50MV | A-275 | \$47,239 |
| 30018ET3Y355M/L-W22 | A-77; A-110; A-240 | \$60,292 |
| 300180P3GFP447/9TSW4 | A-226 | \$19,168 |
| 300180T3G447/9TS-W40 | A-55 | \$24,878 |
| 300180T3G447/9T-W40 | A-55 | \$24,878 |
| 30018ST3QIE449T-W22 | A-65; A-100 | \$36,810 |
| 30018ST3QIERB449T-W2 | A-65; A-100 | \$36,810 |
| 30018XT3G449T | A-118 | \$42,566 |
| 30036ET3G449TS-W22 | A-40; A-91 | \$38,269 |
| 30036ET3X5009-W50MV | A-275 | \$51,698 |
| 30036ET3Y355M/L-W22 | A-77; A-110; A-240 | \$66,321 |
| 300360P3GFP445TS-W40 | A-226 | \$19,556 |
| 300360P3HFP445TS-W40 | A-226 | \$19,556 |
| 300360T3G445TS-W40 | A-55 | \$22,294 |
| 30036XT3G449TS | A-118 | \$48,747 |
| 315L90AI-0118M | A-291 | \$32,684 |
| 315L90AI-S | A-291 | \$32,684 |
| 315MI50AI-018M | A-291 | \$19,586 |
| 315MI50AI-S | A-291 | \$19,586 |
| 315MI60AI-018M | A-291 | \$21,964 |
| 315MI60AI-S | A-291 | \$21,964 |
| 315MI70AI-018M | A-291 | \$24,394 |
| 315MI70AI-S | A-291 | \$24,394 |
| 33018ET3Y355M/L-W22 | A-77; A-110; A-240 | \$64,557 |
| 35009ET3G586/7-W22 | A-40; A-91; A-106 | \$64,873 |
| 35009ET3GKD586/7-W22 | A-106 | \$64,873 |
| 35012ET3G449T-W22 | A-40; A-91 | \$47,633 |
| 35012ET3GKD580Z-W22 | A-106 | \$50,250 |
| 35012ET3GKD586/7-W22 | A-106 | \$50,250 |
| 35012ET3GRB449T-W22 | A-41; A-92 | \$47,633 |
| 35012ET3X5009-W50MV | A-275 | \$61,532 |
| 35012ST3QIE449T-W22 | A-65; A-100 | \$52,634 |
| 35012ST3QIERB449T-W2 | A-65; A-100 | \$52,634 |
| 35012XT3G586/7 | A-118 | \$71,652 |
| 35018ET3G449TS-W22 | A-41; A-92 | \$36,517 |
| 35018ET3G449T-W22 | A-41; A-92; A-106 | \$36,517 |
| 35018ET3GKD449T-W22 | A-106 | \$36,517 |
| 35018ET3GKD580Z-W22 | A-106 | \$41,230 |
| 35018ET3GRB449T-W22 | A-41; A-92 | \$36,517 |
| 35018ET3HKD580Z-W22 | A-106 | \$41,230 |

| Part Number | Page(s) | Price |
|----------------------|-------------------|----------|
| 350180P3GFP447/9TSW4 | A-226 | \$22,807 |
| 350180P3HFP447/9TSW4 | A-226 | \$22,807 |
| 350180T3G447/9TS-W40 | A-55 | \$25,174 |
| 350180T3G447/9T-W40 | A-55 | \$25,174 |
| 35018ST3QIE449T-W22 | A-65; A-100 | \$44,105 |
| 35018ST3QIERB449T-W2 | A-65; A-100 | \$44,105 |
| 35018XT3G449T | A-118 | \$53,222 |
| 35036ET3G449TS-W22 | A-41; A-92 | \$43,805 |
| 350360P3GFP447/9TSW4 | A-226 | \$22,346 |
| 350360P3HFP447/9TSW4 | A-226 | \$22,346 |
| 350360T3G447/9TS-W40 | A-55 | \$25,055 |
| 35036XT3G449TS | A-118 | \$65,868 |
| 355MI70AI-S | A-291 | \$44,643 |
| 40009ET3G588/9-W22 | A-41; A-92; A-106 | \$66,123 |
| 40012ET3G449T-W22 | A-41; A-92 | \$52,307 |
| 40012ET3G586/7-W22 | A-41; A-92 | \$56,201 |
| 40012ET3GKD580Z-W22 | A-106 | \$58,210 |
| 40012ET3GKD586/7-W22 | A-106 | \$56,201 |
| 40012ET3GRB449T-W22 | A-41; A-92 | \$52,307 |
| 40012ET3HKD580Z-W22 | A-106 | \$58,210 |
| 40012ET3X5809-W50MV | A-275 | \$68,812 |
| 40012XT3G586/7 | A-118 | \$75,473 |
| 40018ET3G449TS-W22 | A-41; A-92 | \$43,805 |
| 40018ET3G449T-W22 | A-41; A-92; A-106 | \$43,805 |
| 40018ET3GKD580Z-W22 | A-106 | \$45,805 |
| 40018ET3GRB449T-W22 | A-41; A-92 | \$43,805 |
| 40018ET3H449T-W22 | A-41; A-92 | \$43,805 |
| 40018ET3HKD580Z-W22 | A-106 | \$45,805 |
| 40018ET3X5009-W50MV | A-275 | \$60,848 |
| 40018ET3X5009-W50MVR | A-275 | \$60,848 |
| 400180P3HFP447/9TSW4 | A-226 | \$25,570 |
| 400180P3QFP447/9TSW4 | A-226 | \$25,570 |
| 400180T3G447/9TS-W40 | A-55 | \$28,311 |
| 400180T3G447/9T-W40 | A-55 | \$28,311 |
| 40018ST3QIE449T-W22 | A-65; A-100 | \$48,396 |
| 40018ST3QIERB449T-W2 | A-65; A-100 | \$48,396 |
| 40018XT3G586/7 | A-118 | \$61,096 |
| 40036ET3G449TS-W22 | A-41; A-92; A-106 | \$44,605 |
| 40036ET3X5009-W50MV | A-275 | \$61,669 |
| 40036ET3X5009-W50MVR | A-275 | \$61,669 |
| 400360P3GFP447/9TSW4 | A-226 | \$24,140 |
| 400360P3HFP447/9TSW4 | A-226 | \$24,140 |
| 400360T3G447/9TS-W40 | A-55 | \$26,678 |
| 45009ET3G588/9-W22 | A-41; A-92 | \$68,715 |
| 45012ET3G586/7-W22 | A-41; A-92 | \$62,251 |
| 45012ET3GKD580Z-W22 | A-106 | \$63,251 |
| 45012ET3GRB586/7-W22 | A-41; A-92 | \$62,251 |
| 45018ET3G449T-W22 | A-41; A-92 | \$48,010 |
| 45018ET3GKD580Z-W22 | A-106 | \$48,053 |
| 45018ET3GKD586/7-W22 | A-106 | \$48,053 |
| 45018ET3GRB449T-W22 | A-41; A-92; A-106 | \$48,010 |

| Part Number | Page(s) | Price |
|----------------------|-------------------|-----------|
| 45018XT3G586/7 | A-118 | \$65,201 |
| 45036ET3G449TS-W22 | A-41; A-92 | \$49,610 |
| 450360P3GFP447/9TSW4 | A-226 | \$26,055 |
| 450360P3HFP447/9TSW4 | A-226 | \$26,055 |
| 450360T3G447/9TS-W40 | A-55 | \$28,239 |
| 50012ET3G586/7-W22 | A-41; A-92; A-106 | \$62,962 |
| 50012ET3GKD580Z-W22 | A-106 | \$65,962 |
| 50012ET3X5809-W50MV | A-275 | \$89,970 |
| 50012ET3X5809-W50MVR | A-275 | \$89,970 |
| 50018ET3G449T-W22 | A-41; A-92 | \$50,594 |
| 50018ET3GKD580Z-W22 | A-106 | \$51,611 |
| 50018ET3GRB449T-W22 | A-41; A-92 | \$50,594 |
| 50018ET3X5009-W50MV | A-275 | \$76,398 |
| 50018ET3X5009-W50MVR | A-275 | \$76,398 |
| 50018XT3G586/7 | A-118 | \$70,086 |
| 50036ET3G586/7S-W22 | A-41; A-92 | \$56,305 |
| 50036ET3X5809-W50MV | A-275 | \$79,517 |
| 50036ET3X5809-W50MVR | A-275 | \$79,517 |
| 500360P3GFP447/9TSW4 | A-226 | \$27,711 |
| 500360P3HFP447/9TSW4 | A-226 | \$27,711 |
| 500360T3G447/9TS-W40 | A-55 | \$31,476 |
| 550360T3G447/9TS-W40 | A-55 | \$32,629 |
| 60012ET3G588/9-W22 | A-41; A-92; A-106 | \$71,374 |
| 60012ET3X5809-W50MV | A-275 | \$105,217 |
| 60012ET3X5809-W50MVR | A-275 | \$105,217 |
| 60018ET3G586/7-W22 | A-41; A-92 | \$60,316 |
| 60018ET3X5809-W50MV | A-275 | \$91,633 |
| 60018ET3X5809-W50MVR | A-275 | \$91,633 |
| 60036ET3G588/9S-W22 | A-41; A-92 | \$64,635 |
| 60036ET3X5809-W50MV | A-275 | \$86,864 |
| 60036ET3X5809-W50MVR | A-275 | \$86,864 |
| 600360T3G447/9TS-W40 | A-55 | \$32,994 |
| 65018ET3G588/9-W22 | A-41; A-92 | \$66,701 |
| 65036ET3G588/9S-W22 | A-41; A-92 | \$66,835 |
| 70012ET3X6808-W50MV | A-275 | \$117,307 |
| 70012ET3X6808-W50MVR | A-275 | \$117,307 |
| 70018ET3G588/9-W22 | A-41; A-92 | \$71,185 |
| 70018ET3X6806-W50MV | A-275 | \$105,814 |
| 70018ET3X6806-W50MVR | A-275 | \$105,814 |
| 70036ET3G588/9S-W22 | A-41; A-92 | \$71,254 |
| 700360T3Q5010S-W40 | A-55 | \$42,603 |
| 75018ET3G588/9-W22 | A-41; A-92 | \$74,025 |
| 80018ET3X6808-W50MV | A-275 | \$114,209 |
| 80018ET3X6808-W50MVR | A-275 | \$114,209 |
| 800360T3Q5010S-W40 | A-55 | \$45,039 |
| ACBF-11 | A-384 | \$20 |
| ACBF-11 MPW100 | A-385 | \$35 |
| ACBF-11 MPW100 | A-385 | \$35 |
| ACBS-02 | A-385 | \$22 |
| ACBS-02 MPW100 | A-385 | \$27 |
| ACBS-02 MPW100 | A-385 | \$27 |

| Part Number | Page(s) | Price |
|----------------------|--------------|---------|
| ACBS-11 | A-384 | \$22 |
| ACBS-11 MPW100 | A-385 | \$27 |
| ACBS-11 MPW100 | A-385 | \$27 |
| ACBS-20 | A-385 | \$22 |
| ACBS-20 MPW100 | A-385 | \$27 |
| ACBS-20 MPW100 | A-385 | \$27 |
| AUXTBOXF1W22-D | A-412 | \$270 |
| BC10B-CSW | A-369 | \$5.00 |
| BDK-BM140-W22 | A-413 | \$422 |
| BDK-BM180-W22 | A-413 | \$643 |
| BDK-BM210-W22 | A-414 | \$770 |
| BDK-BM250-W22 | A-414 | \$934 |
| BDK-BM280-W22 | A-414 | \$1,610 |
| BDK-BM320-W22 | A-414 | \$2,814 |
| BLK-E140 | A-417 | \$1,149 |
| BLK-E180 | A-417 | \$1,260 |
| BLK-E210 | A-418 | \$1,452 |
| BLK-E250-W22 | A-418 | \$1,573 |
| BLK-E280 | A-418 | \$1,658 |
| BLK-E320 | A-418 | \$1,821 |
| BLK-E360-W22 | A-418 | \$2,038 |
| BLK-E400-W22 | A-418 | \$2,159 |
| BLK-E444/5-W22 | A-418 | \$2,561 |
| BLK-E445/7-447/9-W22 | A-418 | \$2,561 |
| BLK-E580-W22 | A-418 | \$3,632 |
| BLK-EL449/500-W22 | A-418 | \$3,025 |
| BRAKE-E140-W22 | A-414 | \$588 |
| BRAKE-E180-W22 | A-414 | \$972 |
| BRAKE-E210-W22 | A-414 | \$1,410 |
| BRAKE-E250-W22 | A-414 | \$1,985 |
| BRAKE-E280-W22 | A-414 | \$3,454 |
| BRAKE-E320-W22 | A-414 | \$5,453 |
| BRKHDL-BM140-W22 | A-414 | \$78 |
| BRKHDL-BM180-W22 | A-414 | \$127 |
| BRKHDL-BM210-W22 | A-415 | \$179 |
| BRKHDL-BM250-W22 | A-415 | \$236 |
| BRKHDL-BM280-W22 | A-415 | \$453 |
| BRKHDL-BM320-W22 | A-415 | \$602 |
| CAB-RS-1 | A-142; A-335 | \$23 |
| CAB-RS-10 | A-142; A-335 | \$72 |
| CAB-RS-2 | A-143; A-336 | \$31 |
| CAB-RS-3 | A-143; A-336 | \$41 |
| CAB-RS-5 | A-143; A-336 | \$51 |
| CAB-RS-7.5 | A-143; A-336 | \$62 |
| CAN-01 | A-329 | \$410 |
| CCK-01 | A-329 | \$105 |
| CFDB100-224 | A-143; A-336 | \$183 |
| CFDB10-746 | A-143; A-336 | \$319 |
| CFDB120-298 | A-426 | \$183 |
| CFDB15-560 | A-144; A-337 | \$319 |
| CFDB18-1492 | A-144; A-337 | \$638 |

| Part Number | Page(s) | Price |
|-------------------|--------------|---------|
| CFDB22-1119 | A-144; A-337 | \$481 |
| CFDB22-373 | A-144; A-337 | \$183 |
| CFDB27-298 | A-144; A-337 | \$183 |
| CFDB33-746 | A-426 | \$319 |
| CFDB39-224 | A-144; A-337 | \$183 |
| CFDB47-746 | A-144; A-337 | \$319 |
| CFW080017THN4A1Z | A-138 | \$1,259 |
| CFW080027TGN4A1Z | A-138 | \$894 |
| CFW080030THN4A1Z | A-142; A-335 | \$1,421 |
| CFW080043TGN4A1Z | A-142; A-335 | \$1,118 |
| CFW080043THN4A1Z | A-142; A-335 | \$1,485 |
| CFW080065TGN4A1Z | A-142; A-335 | \$1,331 |
| CFW080070THN4A1Z | A-142; A-335 | \$1,767 |
| CFW080073BDN4A1Z | A-142; A-335 | \$929 |
| CFW080100BDN4A1Z | A-142; A-335 | \$1,039 |
| CFW080100TGN4A1Z | A-142; A-335 | \$1,516 |
| CFW080100THN4A1Z | A-142; A-335 | \$2,077 |
| CFW080120THN4A1Z | A-142; A-335 | \$2,388 |
| CFW080130TGN4A1Z | A-142; A-335 | \$1,856 |
| CFW080160TDN4A1Z | A-142; A-335 | \$1,228 |
| CFW080160TGN4A1Z | A-142; A-335 | \$2,144 |
| CFW080220TDN4A1Z | A-142; A-335 | \$1,769 |
| CFW080240TGN4A1Z | A-142; A-335 | \$2,876 |
| CFW080280TDN4A1Z | A-142; A-335 | \$2,266 |
| CFW080300TGN4A1Z | A-142; A-335 | \$3,474 |
| CFW300A01P6S1NB20 | A-309 | \$361 |
| CFW300A01P6S2NB20 | A-309 | \$323 |
| CFW300A01P6T2NB20 | A-316 | \$343 |
| CFW300A02P6S1NB20 | A-316 | \$394 |
| CFW300A02P6S2NB20 | A-316 | \$348 |
| CFW300A02P6T2NB20 | A-316 | \$376 |
| CFW300A04P2S1NB20 | A-316 | \$420 |
| CFW300A04P2S2NB20 | A-316 | \$371 |
| CFW300A04P2T2NB20 | A-316 | \$399 |
| CFW300A06POS1NB20 | A-316 | \$507 |
| CFW300A06POS2NB20 | A-316 | \$461 |
| CFW300A06POT2NB20 | A-316 | \$484 |
| CFW300A07P3S2NB20 | A-316 | \$543 |
| CFW300A07P3T2NB20 | A-316 | \$571 |
| CFW300B10P0B2DB20 | A-316 | \$648 |
| CFW300B15P2T2DB20 | A-316 | \$792 |
| CFW300-CCAN | A-316 | \$100 |
| CFW300-CPDP | A-316 | \$294 |
| CFW300-CRS232 | A-316 | \$82 |
| CFW300-CRS485 | A-316 | \$82 |
| CFW300-CUSB | A-316 | \$87 |
| CFW300-IOADR | A-316 | \$207 |
| CFW300-IOAENC | A-316 | \$143 |
| CFW300-IOAR | A-316 | \$141 |
| CFW300-IODR | A-316 | \$108 |
| CFW300-KFA | A-316 | \$90 |

| Part Number | Page(s) | Price |
|-------------------|---------|---------|
| CFW300-KFB | A-316 | \$105 |
| CFW300-KHMIR | A-316 | \$256 |
| CFW300-MMF | A-316 | \$210 |
| CFW500A01P0T4NB20 | A-316 | \$582 |
| CFW500A01P6B2NB20 | A-316 | \$456 |
| CFW500A01P6S2NB20 | A-321 | \$451 |
| CFW500A01P6T4NB20 | A-321 | \$604 |
| CFW500A02P6B2NB20 | A-321 | \$467 |
| CFW500A02P6S2NB20 | A-321 | \$463 |
| CFW500A02P6T4NB20 | A-321 | \$649 |
| CFW500A04P3B2NB20 | A-321 | \$506 |
| CFW500A04P3S2NB20 | A-321 | \$499 |
| CFW500A04P3T4NB20 | A-321 | \$799 |
| CFW500A06P1T4NB20 | A-321 | \$982 |
| CFW500A07P0S2NB20 | A-321 | \$633 |
| CFW500A07P0T2NB20 | A-321 | \$628 |
| CFW500A09P6T2NB20 | A-321 | \$773 |
| CFW500B02P6T4DB20 | A-321 | \$708 |
| CFW500B04P3T4DB20 | A-321 | \$892 |
| CFW500B06P5T4DB20 | A-321 | \$1,067 |
| CFW500B07P3B2DB20 | A-321 | \$678 |
| CFW500B10P0B2DB20 | A-321 | \$789 |
| CFW500B10P0T4DB20 | A-321 | \$1,207 |
| CFW500B16P0T2DB20 | A-321 | \$842 |
| CFW500C01P7T5DB20 | A-321 | \$910 |
| CFW500C03P0T5DB20 | A-321 | \$954 |
| CFW500C04P3T5DB20 | A-321 | \$1,073 |
| CFW500C07P0T5DB20 | A-321 | \$1,276 |
| CFW500C10P0T5DB20 | A-321 | \$1,621 |
| CFW500C12P0T5DB20 | A-321 | \$1,813 |
| CFW500C14P0T4DB20 | A-321 | \$1,495 |
| CFW500C16P0T4DB20 | A-321 | \$1,684 |
| CFW500C24P0T2DB20 | A-321 | \$1,427 |
| CFW500-CCAN | A-321 | \$138 |
| CFW500-CCHMIR010M | A-321 | \$72 |
| CFW500-CCHMIR01M | A-322 | \$23 |
| CFW500-CCHMIR02M | A-322 | \$31 |
| CFW500-CCHMIR03M | A-322 | \$41 |
| CFW500-CCHMIR05M | A-322 | \$51 |
| CFW500-CCHMIR075M | A-322 | \$61 |
| CFW500-CEMB-TCP | A-322 | \$499 |
| CFW500-CEPN-IO | A-322 | \$499 |
| CFW500-CETH-IP | A-322 | \$499 |
| CFW500-CPDP | A-322 | \$405 |
| CFW500-CPDP2 | A-322 | \$445 |
| CFW500-CRS232 | A-322 | \$138 |
| CFW500-CRS485 | A-322 | \$143 |
| CFW500-CUSB | A-322 | \$210 |
| CFW500D24P0T4DB20 | A-321 | \$2,229 |
| CFW500D28P0T2DB20 | A-321 | \$1,777 |
| CFW500D31P0T4DB20 | A-321 | \$2,783 |

| Part Number | Page(s) | Price |
|-------------------|---------|---------|
| CFW500D33P0T2DB20 | A-321 | \$2,146 |
| CFW500D47P0T2DB20 | A-321 | \$2,910 |
| CFW500E39P0T4DB20 | A-321 | \$3,346 |
| CFW500E49P0T4DB20 | A-321 | \$4,214 |
| CFW500E56P0T2DB20 | A-321 | \$3,380 |
| CFW500-ENC | A-322 | \$210 |
| CFW500-HMIR | A-322 | \$169 |
| CFW500-IOAD | A-322 | \$182 |
| CFW500-IOD | A-322 | \$141 |
| CFW500-IOR | A-322 | \$125 |
| CFW500-IOS | A-322 | \$110 |
| CFW500-KN1A | A-322 | \$28 |
| CFW500-KN1B | A-322 | \$33 |
| CFW500-KN1C | A-322 | \$44 |
| CFW500-KN1D | A-322 | \$59 |
| CFW500-KN1E | A-322 | \$64 |
| CFW500-KPCSA | A-322 | \$41 |
| CFW500-KPCSB | A-322 | \$44 |
| CFW500-KPCSC | A-322 | \$46 |
| CFW500-KPCSD | A-322 | \$51 |
| CFW500-MMF | A-322 | \$189 |
| CFW500-USB02M | A-322 | \$50 |
| CFW700A03P6T4DB20 | A-327 | \$1,350 |
| CFW700A05P0T4DB20 | A-327 | \$1,444 |
| CFW700A06P0B2DB20 | A-322 | \$1,370 |
| CFW700A07P0B2DB20 | A-322 | \$1,430 |
| CFW700A07P0T2DB20 | A-327 | \$1,350 |
| CFW700A07P0T4DB20 | A-328 | \$1,510 |
| CFW700A10P0S2DB20 | A-327 | \$1,510 |
| CFW700A10P0T2DB20 | A-327 | \$1,410 |
| CFW700A10P0T4DB20 | A-328 | \$1,600 |
| CFW700A13P0T2DB20 | A-327 | \$1,440 |
| CFW700A13P5T4DB20 | A-328 | \$1,711 |
| CFW700A16P0T2DB20 | A-327 | \$1,542 |
| CFW700B02P9T5DB20 | A-328 | \$1,689 |
| CFW700B04P2T5DB20 | A-328 | \$1,759 |
| CFW700B07P0T5DB20 | A-329 | \$1,874 |
| CFW700B10P0T5DB20 | A-329 | \$2,048 |
| CFW700B12P0T5DB20 | A-329 | \$2,171 |
| CFW700B17P0T4DB20 | A-328 | \$2,055 |
| CFW700B17P0T5DB20 | A-329 | \$2,552 |
| CFW700B24P0T2DB20 | A-327 | \$2,020 |
| CFW700B24P0T4DB20 | A-328 | \$2,455 |
| CFW700B28P0T2DB20 | A-327 | \$2,201 |
| CFW700B31P0T4DB20 | A-328 | \$3,450 |
| CFW700B33P5T2DB20 | A-327 | \$2,600 |
| CFW700C22P0T5DB20 | A-329 | \$4,235 |
| CFW700C27P0T5DB20 | A-329 | \$4,506 |
| CFW700C32P0T5DB20 | A-329 | \$6,486 |
| CFW700C38P0T4DB20 | A-328 | \$3,888 |
| CFW700C44P0T5DB20 | A-329 | \$7,309 |

| Part Number | Page(s) | Price |
|---------------------|--------------|----------|
| CFW700C45POT2DB20 | A-327 | \$2,900 |
| CFW700C45POT4DB20 | A-328 | \$5,000 |
| CFW700C54POT2DB20 | A-327 | \$3,700 |
| CFW700C58P5T4DB20 | A-328 | \$5,800 |
| CFW700C70POT2DB20 | A-327 | \$4,880 |
| CFW700D0105T2DBN1 | A-327 | \$8,100 |
| CFW700D22POT5NBN1 | A-329 | \$3,921 |
| CFW700D27POT5NBN1 | A-329 | \$4,450 |
| CFW700D32POT5NBN1 | A-329 | \$5,763 |
| CFW700D44POT5NBN1 | A-329 | \$6,768 |
| CFW700D70P5T4DBN1 | A-328 | \$6,888 |
| CFW700D86POT2DBN1 | A-327 | \$6,101 |
| CFW700D88POT4DBN1 | A-328 | \$8,100 |
| CFW700E0107T5DB20C3 | A-329 | \$16,240 |
| CFW700E0107T5NB20C3 | A-329 | \$15,042 |
| CFW700E0125T5DB20C3 | A-329 | \$16,910 |
| CFW700E0125T5NB20C3 | A-329 | \$15,662 |
| CFW700E0150T5DB20C3 | A-329 | \$23,456 |
| CFW700E0150T5NB20C3 | A-329 | \$21,723 |
| CFW700E0211T4NB20C3 | A-328 | \$18,787 |
| CFW700E105T4DB20C3 | A-328 | \$11,989 |
| CFW700E105T4NB20C3 | A-328 | \$9,999 |
| CFW700E142T2DB20C3 | A-327 | \$11,500 |
| CFW700E142T2NB20C3 | A-327 | \$10,101 |
| CFW700E142T4DB20C3 | A-328 | \$14,989 |
| CFW700E142T4NB20C3 | A-328 | \$12,000 |
| CFW700E180T2DB20C3 | A-327 | \$15,500 |
| CFW700E180T2NB20C3 | A-327 | \$12,999 |
| CFW700E180T4DB20C3 | A-328 | \$20,989 |
| CFW700E180T4NB20C3 | A-328 | \$15,400 |
| CFW700E211T2DB20C3 | A-327 | \$21,222 |
| CFW700E211T2NB20C3 | A-327 | \$18,555 |
| CFW700E211T4DB20C3 | A-328 | \$25,989 |
| CFW700E53POT5DB20C3 | A-329 | \$9,118 |
| CFW700E53POT5NB20C3 | A-329 | \$8,446 |
| CFW700E63POT5DB20C3 | A-329 | \$11,580 |
| CFW700E63POT5NB20C3 | A-329 | \$10,728 |
| CFW700E80POT5DB20C3 | A-329 | \$12,091 |
| CFW700E80POT5NB20C3 | A-329 | \$11,200 |
| CSW30-SP3PBS | A-143; A-336 | \$535 |
| CSW-SP3PBS | A-143; A-336 | \$460 |
| DEVICENET-05 | A-386 | \$1,100 |
| DRCV-E100 | A-410 | \$89 |
| DRCV-E140 | A-410 | \$89 |
| DRCV-E180 | A-411 | \$128 |
| DRCV-E180-S | A-411 | \$128 |
| DRCV-E210 | A-411 | \$136 |
| DRCV-E210-S | A-411 | \$136 |
| DRCV-E250 | A-411 | \$167 |
| DRCV-E250-S | A-411 | \$167 |
| DRCV-E250-W22 | A-411 | \$167 |

| Part Number | Page(s) | Price |
|----------------------|--------------|---------|
| DRCV-E280 | A-411 | \$220 |
| DRCV-E280-W22 | A-411 | \$220 |
| DRCV-E320 | A-411 | \$344 |
| DRCV-E320-W22 | A-411 | \$344 |
| DRCV-E360/400 | A-411 | \$393 |
| DRCV-E360-W22 | A-411 | \$393 |
| DRCV-E400-W22 | A-411 | \$479 |
| DRCV-E440/500 | A-411 | \$819 |
| DRCV-E440-W22 | A-411 | \$819 |
| DRCV-E48/W56-S | A-411 | \$45 |
| DRCV-E56 | A-411 | \$53 |
| DRCV-E580 | A-411 | \$1,145 |
| DRCV-E580-W22 | A-411 | \$1,145 |
| DRCV-EL440-W22 | A-411 | \$952 |
| DRCV-0140-S | A-411 | \$53 |
| DRCV-0180-S | A-411 | \$128 |
| DRCV-0210-S | A-411 | \$136 |
| DRCV-0250-S | A-411 | \$167 |
| DRCV-056-S | A-411 | \$45 |
| DRCV-ODP140 | A-411 | \$105 |
| DRCV-ODP180 | A-411 | \$120 |
| DRCV-ODP210 | A-411 | \$131 |
| DRCV-ODP250 | A-411 | \$152 |
| DRCV-ODP280 | A-411 | \$220 |
| DRCV-ODP320 | A-411 | \$366 |
| DRCV-ODP360/400 | A-411 | \$410 |
| DRCV-ODP440 | A-411 | \$613 |
| DRCV-OS48/56 | A-411 | \$23 |
| E0.1812EP3WAX71F3-W2 | A-234 | \$476 |
| E0.1818EP3WAX63F3-W2 | A-234 | \$365 |
| E0.1836EP3WAX63F3-W2 | A-243 | \$364 |
| E0.2512EP3WAX71F3-W2 | A-243 | \$483 |
| E0.2518EP3WAX71F3-W2 | A-243 | \$415 |
| E0.2536EP3WAX63F3-W2 | A-243 | \$373 |
| E0.3712EP3WAX80F3-W2 | A-243 | \$507 |
| E0.3718EP3WAX71F3-W2 | A-243 | \$427 |
| E0.3736EP3WAX71F3-W2 | A-243 | \$408 |
| E0.5512EP3WAX80F3-W2 | A-243 | \$523 |
| E0.5518EP3WAX80F3-W2 | A-243 | \$488 |
| E0.5536EP3WAX71F3-W2 | A-243 | \$415 |
| E0.7512EP3WAX90SF3-W | A-243 | \$660 |
| E0.7512ET3WAXL90SF3W | A-243 | \$872 |
| E0.7512XP3WAX90LF3-W | A-120 | \$1,199 |
| E0.7518EP3WAX80F3-W2 | A-243 | \$507 |
| E0.7518ET3WAX80F3-W2 | A-243 | \$670 |
| E0.7518XP3WAX90SF3-W | A-120 | \$1,283 |
| E0.7536EP3WAX80F3-W2 | A-243 | \$499 |
| E0.7536ET3WAX80F3-W2 | A-243 | \$659 |
| E0.7536XP3WAX90SF3-W | A-123; A-248 | \$1,267 |
| E00112EP3WAX90LF3-W2 | A-243 | \$700 |
| E00112ET3WAX100LF3-W | A-243 | \$924 |

| Part Number | Page(s) | Price |
|----------------------|--------------|---------|
| E00112XP3WAX90LF3-W | A-123; A-248 | \$1,588 |
| E00118EP3WAX90SF3-W2 | A-243 | \$578 |
| E00118ET3WAX90SF3-W2 | A-243 | \$763 |
| E00118XP3WAX90LF3-W | A-123; A-248 | \$1,334 |
| E00136EP3WAX80F3-W22 | A-243 | \$538 |
| E00136ET3WAX80F3-W22 | A-243 | \$711 |
| E00136XP3WAX90SF3-W | A-123; A-248 | \$1,318 |
| E00152EP3WAX100LF3-W | A-243 | \$872 |
| E00152ET3WAX100LF3-W | A-243 | \$1,152 |
| E00152XP3WAX100LF3-W | A-123; A-248 | \$1,757 |
| E00156EP3WAX90SF3-W2 | A-243 | \$614 |
| E00156ET3WAX90SF3-W2 | A-243 | \$811 |
| E00156XP3WAX90SF3-W | A-123; A-248 | \$1,371 |
| E00158EP3WAX90LF3-W2 | A-243 | \$673 |
| E00158ET3WAX90LF3-W2 | A-243 | \$889 |
| E00158XP3WAX100LF3-W | A-123; A-248 | \$1,488 |
| E00212EP3YAX112MF3-W | A-243 | \$1,181 |
| E00212ET3YAX112MF3-W | A-243 | \$1,561 |
| E00212XP3YAX112MF3-W | A-123; A-248 | \$2,040 |
| E00218EP3WAX100LF3-W | A-243 | \$845 |
| E00218ET3WAX100LF3-W | A-243 | \$1,116 |
| E00218XP3WAX100LF3-W | A-123; A-248 | \$1,783 |
| E00236EP3WAX90LF3-W2 | A-243 | \$700 |
| E00236ET3WAX90LF3-W2 | A-243 | \$924 |
| E00236XP3WAX90LF3-W | A-123; A-248 | \$1,534 |
| E00312EP3YAX132SF3-W | A-243 | \$1,684 |
| E00312ET3YAX132SF3-W | A-243 | \$2,225 |
| E00312XP3YAX132SF3-W | A-123; A-248 | \$3,224 |
| E00318EP3WAX100LF3-W | A-243 | \$1,016 |
| E00318ET3WAXL100LF3W | A-243 | \$1,342 |
| E00318XP3YAX112MF3-W | A-123; A-248 | \$2,137 |
| E00336EP3WAX100LF3-W | A-243 | \$916 |
| E00336ET3WAX100LF3-W | A-243 | \$1,210 |
| E00336XP3WAX100LF3-W | A-123; A-248 | \$1,918 |
| E00412EP3YAX132MF3-W | A-243 | \$1,910 |
| E00412ET3YAX132MF3-W | A-243 | \$2,524 |
| E00412XP3YAX132MF3-W | A-123; A-248 | \$3,607 |
| E00418EP3YAX112MF3-W | A-243 | \$1,388 |
| E00418ET3YAX112MF3-W | A-243 | \$1,712 |
| E00418XP3YAX112MF3-W | A-123; A-248 | \$2,468 |
| E00436EP3YAX112MF3-W | A-243 | \$1,174 |
| E00436ET3YAX112MF3-W | A-243 | \$1,552 |
| E00436XP3YAX112MF3-W | A-123; A-248 | \$2,414 |
| E00512EP3YAX132MF3-W | A-243 | \$2,312 |
| E00512ET3YAX132MLF3W | A-243 | \$3,052 |
| E00512XP3YAX132MF3-W | A-123; A-248 | \$3,800 |
| E00518EP3YAX132SF3-W | A-244 | \$1,798 |
| E00518ET3YAX132SF3-W | A-244 | \$2,218 |
| E00518XP3YAX132SF3-W | A-123; A-248 | \$3,025 |
| E00536EP3YAX132SF3-W | A-244 | \$1,613 |
| E00536ET3YAX132SF3-W | A-244 | \$2,132 |

| Part Number | Page(s) | Price |
|----------------------|--------------|----------|
| E00536XP3YAX132SF3-W | A-123; A-248 | \$3,083 |
| E00712EP3YAX160MF3-W | A-244 | \$3,221 |
| E00712ET3YAX160MF3-W | A-244 | \$4,256 |
| E00712XP3YAX160MF3-W | A-123; A-248 | \$5,017 |
| E00718EP3YAX132MF3-W | A-244 | \$2,135 |
| E00718ET3YAX132MF3-W | A-244 | \$2,634 |
| E00718XP3YAX132MF3-W | A-123; A-248 | \$3,685 |
| E00736EP3YAX132SF3-W | A-244 | \$1,833 |
| E00736ET3YAX132SF3-W | A-244 | \$2,422 |
| E00736XP3YAX132SF3-W | A-123; A-248 | \$3,556 |
| E01112EP3YAX160LF3-W | A-244 | \$4,243 |
| E01112ET3YAX160LF3-W | A-244 | \$5,607 |
| E01112XP3YAX160LF3-W | A-123; A-248 | \$5,281 |
| E01118EP3YAX160MF3-W | A-244 | \$3,331 |
| E01118ET3YAX160MF3-W | A-244 | \$4,108 |
| E01118XP3YAX160MF3-W | A-123; A-248 | \$4,151 |
| E01136EP3YAX160MF3-W | A-244 | \$3,150 |
| E01136ET3YAX160MF3-W | A-244 | \$4,163 |
| E01136XP3YAX160MF3-W | A-124; A-248 | \$4,148 |
| E01512EP3YAX180LF3-W | A-244 | \$5,388 |
| E01512ET3YAX180LF3-W | A-244 | \$7,119 |
| E01512XP3YAX180LF3-W | A-124; A-248 | \$6,436 |
| E01518EP3YAX160LF3-W | A-244 | \$3,622 |
| E01518ET3YAX160LF3-W | A-244 | \$4,696 |
| E01518XP3YAX160LF3-W | A-124; A-248 | \$4,608 |
| E01536EP3YAX160MF3-W | A-244 | \$3,398 |
| E01536ET3YAX160MF3-W | A-244 | \$4,490 |
| E01536XP3YAX160MF3-W | A-124; A-248 | \$4,924 |
| E01812EP3YAX200LF3-W | A-244 | \$7,499 |
| E01812ET3YAX200LF3-W | A-244 | \$9,910 |
| E01812XP3YAX200LF3-W | A-124; A-248 | \$8,379 |
| E01818EP3YAX180MF3-W | A-244 | \$5,439 |
| E01818ET3YAX180MF3-W | A-244 | \$6,708 |
| E01818XP3YAX180MF3-W | A-124; A-248 | \$6,059 |
| E01836EP3YAX160LF3-W | A-244 | \$3,960 |
| E01836ET3YAX160LF3-W | A-244 | \$5,233 |
| E01836XP3YAX160LF3-W | A-124; A-248 | \$5,915 |
| E02212EP3YAX200LF3-W | A-244 | \$7,956 |
| E02212ET3YAX200LF3-W | A-244 | \$10,539 |
| E02212XP3YAX200LF3-W | A-124; A-248 | \$9,487 |
| E02218EP3YAX180LF3-W | A-244 | \$5,934 |
| E02218ET3YAX180LF3-W | A-244 | \$7,319 |
| E02218XP3YAX180LF3-W | A-124; A-248 | \$6,706 |
| E02236EP3YAX180MF3-W | A-244 | \$5,140 |
| E02236ET3YAX180MF3-W | A-244 | \$6,792 |
| E02236XP3YAX180MF3-W | A-124; A-248 | \$7,099 |
| E03012EP3YAX225SMF3W | A-244 | \$12,034 |
| E03012ET3YAX225SMF3W | A-244 | \$15,902 |
| E03012XP3YAX225SMF3W | A-124; A-248 | \$12,936 |
| E03018EP3YAX200LF3-W | A-244 | \$7,716 |
| E03018ET3YAX200LF3-W | A-244 | \$10,004 |

| Part Number | Page(s) | Price |
|----------------------|--------------|----------|
| E03018XP3YAX200LF3-W | A-124; A-248 | \$8,717 |
| E03036EP3YAX200LF3-W | A-244 | \$7,515 |
| E03036ET3YAX200LF3-W | A-244 | \$9,931 |
| E03036XP3YAX200LF3-W | A-124; A-248 | \$8,824 |
| E03712EP3YAX250SMF3W | A-244 | \$13,422 |
| E03712ET3YAX250SMF3W | A-244 | \$17,736 |
| E03712XP3YAX250SMF3W | A-124; A-248 | \$15,176 |
| E03718EP3YAX225SMF3W | A-244 | \$10,284 |
| E03718ET3YAX225SMF3W | A-244 | \$13,553 |
| E03718XP3YAX225SMF3W | A-124; A-248 | \$11,099 |
| E03736EP3YAX200LF3-W | A-244 | \$7,987 |
| E03736ET3YAX200LF3-W | A-244 | \$10,554 |
| E03736XP3YAX200LF3-W | A-124; A-248 | \$10,812 |
| E04512EP3YAX280SMF3W | A-244 | \$20,481 |
| E04512ET3YAX280SMF3W | A-244 | \$27,064 |
| E04512XP3YAX280SMF3W | A-124; A-248 | \$21,544 |
| E04518EP3YAX225SMF3W | A-245 | \$11,696 |
| E04518ET3YAX225SMF3W | A-245 | \$15,411 |
| E04518XP3YAX225SMF3W | A-124; A-248 | \$12,846 |
| E04536EP3YAX225SMF3W | A-245 | \$12,588 |
| E04536ET3YAX225SMF3W | A-245 | \$16,634 |
| E04536XP3YAX225SMF3W | A-124; A-248 | \$17,255 |
| E05512EP3YAX280SMF3W | A-245 | \$20,781 |
| E05512ET3YAX280SMF3W | A-245 | \$27,355 |
| E05512XP3YAX280SMF3W | A-124; A-248 | \$27,320 |
| E05518EP3YAX250SMF3W | A-245 | \$14,354 |
| E05518ET3YAX250SMF3W | A-245 | \$18,916 |
| E05518XP3YAX250SMF3W | A-124; A-248 | \$19,034 |
| E05536EP3YAX250SMF3W | A-245 | \$14,893 |
| E05536ET3YAX250SMF3W | A-245 | \$19,680 |
| E05536XP3YAX250SMF3W | A-124; A-249 | \$21,608 |
| E07512EP3YAX315SMF3W | A-245 | \$23,092 |
| E07512ET3YAX315SMF3W | A-245 | \$30,515 |
| E07512XP3YAX315SMF3W | A-124; A-249 | \$31,133 |
| E07518EP3YAX280SMF3W | A-245 | \$20,544 |
| E07518ET3YAX280SMF3W | A-245 | \$27,072 |
| E07518XP3YAX280SMF3W | A-124; A-249 | \$23,986 |
| E07536EP3YAX280SMF3W | A-245 | \$20,430 |
| E07536ET3YAX280SMF3W | A-245 | \$26,996 |
| E07536XP3YAX280SMF3W | A-125; A-249 | \$30,248 |
| E09012EP3YAX315SMF3W | A-245 | \$27,076 |
| E09012ET3YAX315SMF3W | A-245 | \$35,779 |
| E09012XP3YAX315SMF3W | A-125; A-249 | \$40,124 |
| E09018EP3YAX280SMF3W | A-245 | \$21,307 |
| E09018ET3YAX280SMF3W | A-245 | \$28,077 |
| E09018XP3YAX280SMF3W | A-125; A-249 | \$33,209 |
| E09036EP3YAX280SMF3W | A-245 | \$21,712 |
| E09036ET3YAX280SMF3W | A-245 | \$28,691 |
| E09036XP3YAX280SMF3W | A-125; A-249 | \$36,063 |
| E11012EP3YAX315SMF3W | A-245 | \$34,367 |
| E11012ET3YAX315SMF3W | A-245 | \$45,413 |

| Part Number | Page(s) | Price |
|----------------------|--------------|-----------|
| E11012XP3YAX315SMF3W | A-125; A-249 | \$48,658 |
| E11018EP3YAX315SMF3W | A-245 | \$27,068 |
| E11018ET3YAX315SMF3W | A-245 | \$35,670 |
| E11018XP3YAX315SMF3W | A-125; A-249 | \$37,846 |
| E11036EP3YAX315SMF3W | A-245 | \$26,144 |
| E11036ET3YAX315SMF3W | A-245 | \$34,547 |
| E11036XP3YAX315SMF3W | A-125; A-249 | \$42,763 |
| E13212EP3YAX315SMF3W | A-245 | \$52,853 |
| E13212ET3YAX315SMF3W | A-245 | \$76,749 |
| E13212XP3YAX315SMF3W | A-125; A-249 | \$82,346 |
| E13218EP3YAX315SMF3W | A-245 | \$31,689 |
| E13218ET3YAX315SMF3W | A-245 | \$42,877 |
| E13218XP3YAX315SMF3W | A-125; A-249 | \$45,939 |
| E13236EP3YAX315SMF3W | A-245 | \$29,862 |
| E13236ET3YAX315SMF3W | A-245 | \$39,500 |
| E13236XP3YAX315SMF3W | A-125; A-249 | \$54,064 |
| E15012EP3YAX355MLF3W | A-245 | \$62,660 |
| E15012ET3YAX315LF3W2 | A-245 | \$82,712 |
| E15018EP3YAX315SMF3W | A-245 | \$33,286 |
| E15018ET3YAX315SMF3W | A-245 | \$43,938 |
| E15036EP3YAX315SMF3W | A-245 | \$31,360 |
| E15036ET3YAX315SMF3W | A-245 | \$41,396 |
| E16012EP3YAX315LF3-W | A-245 | \$60,176 |
| E16012EP3YAX355MLF3W | A-245 | \$65,792 |
| E16012ET3YAX315LF3-W | A-246 | \$79,990 |
| E16012ET3YAX355MLF3W | A-246 | \$86,940 |
| E16012XP3YAX355MLF3W | A-125; A-249 | \$90,159 |
| E16018EP3YAX315SMF3W | A-246 | \$36,046 |
| E16018ET3YAX315SMF3W | A-246 | \$47,534 |
| E16018XP3YAX315SMF3W | A-125; A-249 | \$50,129 |
| E16036EP3YAX315SMF3W | A-246 | \$38,870 |
| E16036ET3YAX315SMF3W | A-246 | \$51,363 |
| E16036XP3YAX315SMF3W | A-125; A-249 | \$67,306 |
| E20012EP3YAX315LF3-W | A-246 | \$66,948 |
| E20012EP3YAX355MLF3W | A-246 | \$74,007 |
| E20012ET3YAX355MLF3W | A-246 | \$97,795 |
| E20012XP3YAX355MLF3W | A-125; A-249 | \$110,130 |
| E20018EP3YAX355MLF3W | A-246 | \$64,081 |
| E20018ET3YAX315LF3-W | A-246 | \$70,770 |
| E20018ET3YAX355MLF3W | A-246 | \$76,925 |
| E20018XP3YAX355MLF3W | A-125; A-249 | \$80,905 |
| E20036EP3YAX355MLF3W | A-246 | \$66,531 |
| E20036XP3YAX355MLF3W | A-125; A-249 | \$100,962 |
| E25012EP3YAX355MLF3W | A-246 | \$88,256 |
| E25012ET3YAX355MLF3W | A-246 | \$111,338 |
| E25012XP3YAX355MLF3W | A-125; A-249 | \$133,308 |
| E25018EP3YAX315LF3-W | A-246 | \$62,457 |
| E25018EP3YAX355MLF3W | A-246 | \$67,456 |
| E25018ET3YAX315LF3-W | A-246 | \$76,550 |
| E25018ET3YAX355MLF3W | A-246 | \$83,195 |
| E25018XP3YAX355MLF3W | A-125; A-249 | \$94,903 |

| Part Number | Page(s) | Price |
|----------------------|--------------|-----------|
| E25036EP3YAX315LF3-W | A-246 | \$73,948 |
| E25036EP3YAX355MLF3W | A-246 | \$82,191 |
| E25036XP3YAX355MLF3W | A-125; A-249 | \$111,375 |
| E31518XP3YAX355MLF3W | A-125; A-249 | \$108,540 |
| E-35 | A-144; A-337 | \$350 |
| E-40 | A-144; A-337 | \$350 |
| ECHS25A-A | A-415 | \$1,423 |
| ECHS35A-A | A-415 | \$1,590 |
| ECHS35M-A | A-416 | \$2,150 |
| ECHS35R-D | A-416 | \$1,418 |
| ECHS35RTEBC-D | A-416 | \$1,845 |
| ECHSD38-D | A-416 | \$1,418 |
| EDP11S003GN12 | A-332 | \$6,510 |
| EDP11S003GN1201000 | A-342 | \$7,273 |
| EDP11S003GN1210000 | A-341 | \$8,020 |
| EDP11S003GN1211000 | A-343 | \$8,783 |
| EDP11S003GN3R | A-344 | \$8,341 |
| EDP11S003GN3R01000 | A-346 | \$9,104 |
| EDP11S003GN3R10000 | A-345 | \$9,851 |
| EDP11S003GN3R11000 | A-347 | \$10,614 |
| EDP11S005GN12 | A-332 | \$6,626 |
| EDP11S005GN1201000 | A-342 | \$7,389 |
| EDP11S005GN1210000 | A-341 | \$8,136 |
| EDP11S005GN1211000 | A-343 | \$8,899 |
| EDP11S005GN3R | A-344 | \$8,457 |
| EDP11S005GN3R01000 | A-346 | \$9,220 |
| EDP11S005GN3R10000 | A-345 | \$9,967 |
| EDP11S005GN3R11000 | A-347 | \$10,730 |
| EDP11S007DN12 | A-341 | \$6,690 |
| EDP11S007DN1201000 | A-343 | \$7,453 |
| EDP11S007DN1210000 | A-342 | \$8,200 |
| EDP11S007DN1211000 | A-344 | \$8,963 |
| EDP11S007DN3R | A-345 | \$8,521 |
| EDP11S007DN3R01000 | A-347 | \$9,284 |
| EDP11S007DN3R10000 | A-346 | \$10,031 |
| EDP11S007DN3R11000 | A-348 | \$10,794 |
| EDP11S007GN12 | A-341 | \$6,690 |
| EDP11S007GN1201000 | A-343 | \$7,453 |
| EDP11S007GN1210000 | A-342 | \$8,200 |
| EDP11S007GN1211000 | A-344 | \$8,963 |
| EDP11S007GN3R | A-345 | \$8,521 |
| EDP11S007GN3R01000 | A-347 | \$9,284 |
| EDP11S007GN3R10000 | A-346 | \$10,031 |
| EDP11S007GN3R11000 | A-348 | \$10,794 |
| EDP11S010DN12 | A-341 | \$6,756 |
| EDP11S010DN1201000 | A-343 | \$7,519 |
| EDP11S010DN1210000 | A-342 | \$8,276 |
| EDP11S010DN1211000 | A-344 | \$9,039 |
| EDP11S010DN3R | A-345 | \$8,587 |
| EDP11S010DN3R01000 | A-347 | \$9,350 |
| EDP11S010DN3R10000 | A-346 | \$10,107 |

| Part Number | Page(s) | Price |
|--------------------|---------|----------|
| EDP11S010DN3R11000 | A-348 | \$10,870 |
| EDP11S010GN12 | A-341 | \$6,756 |
| EDP11S010GN1201000 | A-343 | \$7,519 |
| EDP11S010GN1210000 | A-342 | \$8,276 |
| EDP11S010GN1211000 | A-344 | \$9,039 |
| EDP11S010GN3R | A-345 | \$8,587 |
| EDP11S010GN3R01000 | A-347 | \$9,350 |
| EDP11S010GN3R10000 | A-346 | \$10,107 |
| EDP11S010GN3R11000 | A-348 | \$10,870 |
| EDP11S013DN12 | A-341 | \$6,855 |
| EDP11S013DN1201000 | A-343 | \$7,618 |
| EDP11S013DN1210000 | A-342 | \$8,375 |
| EDP11S013DN1211000 | A-344 | \$9,138 |
| EDP11S013DN3R | A-345 | \$8,686 |
| EDP11S013DN3R01000 | A-347 | \$9,449 |
| EDP11S013DN3R10000 | A-346 | \$10,206 |
| EDP11S013DN3R11000 | A-348 | \$10,969 |
| EDP11S013GN12 | A-341 | \$6,855 |
| EDP11S013GN1201000 | A-343 | \$7,618 |
| EDP11S013GN1210000 | A-342 | \$8,375 |
| EDP11S013GN1211000 | A-344 | \$9,138 |
| EDP11S013GN3R | A-345 | \$8,686 |
| EDP11S013GN3R01000 | A-347 | \$9,449 |
| EDP11S013GN3R10000 | A-346 | \$10,206 |
| EDP11S013GN3R11000 | A-348 | \$10,969 |
| EDP11S016DN12 | A-341 | \$7,123 |
| EDP11S016DN1201000 | A-343 | \$7,886 |
| EDP11S016DN1210000 | A-342 | \$8,643 |
| EDP11S016DN1211000 | A-344 | \$9,406 |
| EDP11S016DN3R | A-345 | \$8,918 |
| EDP11S016DN3R01000 | A-347 | \$9,681 |
| EDP11S016DN3R10000 | A-346 | \$10,438 |
| EDP11S016DN3R11000 | A-348 | \$11,201 |
| EDP11S017GN12 | A-341 | \$7,269 |
| EDP11S017GN1201000 | A-343 | \$8,032 |
| EDP11S017GN1210000 | A-342 | \$8,867 |
| EDP11S017GN1211000 | A-344 | \$9,630 |
| EDP11S017GN3R | A-345 | \$9,100 |
| EDP11S017GN3R01000 | A-347 | \$9,863 |
| EDP11S017GN3R10000 | A-346 | \$10,698 |
| EDP11S017GN3R11000 | A-348 | \$11,461 |
| EDP11S024DN12 | A-341 | \$7,664 |
| EDP11S024DN1201000 | A-343 | \$8,427 |
| EDP11S024DN1210000 | A-342 | \$9,262 |
| EDP11S024DN1211000 | A-344 | \$10,025 |
| EDP11S024DN3R | A-345 | \$9,459 |
| EDP11S024DN3R01000 | A-347 | \$10,222 |
| EDP11S024DN3R10000 | A-346 | \$11,057 |
| EDP11S024DN3R11000 | A-348 | \$11,820 |
| EDP11S024GN12 | A-341 | \$7,821 |
| EDP11S024GN1201000 | A-343 | \$8,584 |

| Part Number | Page(s) | Price |
|--------------------|---------|----------|
| EDP11S024GN1210000 | A-342 | \$9,613 |
| EDP11S024GN1211000 | A-344 | \$10,376 |
| EDP11S024GN3R | A-345 | \$9,652 |
| EDP11S024GN3R01000 | A-347 | \$10,415 |
| EDP11S024GN3R10000 | A-346 | \$11,444 |
| EDP11S024GN3R11000 | A-348 | \$12,207 |
| EDP11S028DN12 | A-341 | \$8,408 |
| EDP11S028DN1201000 | A-343 | \$9,171 |
| EDP11S028DN1210000 | A-342 | \$10,200 |
| EDP11S028DN1211000 | A-344 | \$10,963 |
| EDP11S028DN3R | A-345 | \$10,202 |
| EDP11S028DN3R01000 | A-347 | \$10,965 |
| EDP11S028DN3R10000 | A-346 | \$11,994 |
| EDP11S028DN3R11000 | A-348 | \$12,757 |
| EDP11S031GN12 | A-341 | \$8,580 |
| EDP11S031GN1201000 | A-343 | \$9,343 |
| EDP11S031GN1210000 | A-342 | \$10,483 |
| EDP11S031GN1211000 | A-344 | \$11,246 |
| EDP11S031GN3R | A-345 | \$10,411 |
| EDP11S031GN3R01000 | A-347 | \$11,174 |
| EDP11S031GN3R10000 | A-346 | \$12,314 |
| EDP11S031GN3R11000 | A-348 | \$13,077 |
| EDP11S033DN12 | A-341 | \$9,108 |
| EDP11S033DN1201000 | A-343 | \$9,871 |
| EDP11S033DN1210000 | A-342 | \$11,011 |
| EDP11S033DN1211000 | A-344 | \$11,774 |
| EDP11S033DN3R | A-345 | \$10,902 |
| EDP11S033DN3R01000 | A-347 | \$11,665 |
| EDP11S033DN3R10000 | A-346 | \$12,805 |
| EDP11S033DN3R11000 | A-348 | \$13,568 |
| EDP11S038GN12 | A-341 | \$9,293 |
| EDP11S038GN1201000 | A-343 | \$10,056 |
| EDP11S038GN1210000 | A-342 | \$11,395 |
| EDP11S038GN1211000 | A-344 | \$12,158 |
| EDP11S038GN3R | A-345 | \$11,125 |
| EDP11S038GN3R01000 | A-347 | \$11,888 |
| EDP11S038GN3R10000 | A-346 | \$13,227 |
| EDP11S038GN3R11000 | A-348 | \$13,873 |
| EDP11S045DN12 | A-341 | \$10,214 |
| EDP11S045DN1201000 | A-343 | \$10,977 |
| EDP11S045DN1210000 | A-342 | \$12,316 |
| EDP11S045DN1211000 | A-344 | \$13,079 |
| EDP11S045DN3R | A-345 | \$12,122 |
| EDP11S045DN3R01000 | A-347 | \$12,885 |
| EDP11S045DN3R10000 | A-346 | \$14,224 |
| EDP11S045DN3R11000 | A-348 | \$14,987 |
| EDP11S045GN12 | A-341 | \$10,422 |
| EDP11S045GN1201000 | A-343 | \$11,185 |
| EDP11S045GN1210000 | A-342 | \$12,669 |
| EDP11S045GN1211000 | A-344 | \$13,432 |
| EDP11S045GN3R | A-345 | \$12,369 |

| Part Number | Page(s) | Price |
|--------------------|---------|----------|
| EDP11S045GN3R01000 | A-347 | \$13,132 |
| EDP11S045GN3R10000 | A-346 | \$14,616 |
| EDP11S045GN3R11000 | A-348 | \$15,233 |
| EDP11S054DN12 | A-341 | \$11,491 |
| EDP11S054DN1201000 | A-343 | \$12,254 |
| EDP11S054DN1210000 | A-342 | \$13,738 |
| EDP11S054DN1211000 | A-344 | \$14,501 |
| EDP11S054DN3R | A-345 | \$13,400 |
| EDP11S054DN3R01000 | A-347 | \$14,163 |
| EDP11S054DN3R10000 | A-346 | \$15,647 |
| EDP11S054DN3R11000 | A-348 | \$16,410 |
| EDP11S058GN12 | A-341 | \$12,026 |
| EDP11S058GN1201000 | A-343 | \$12,789 |
| EDP11S058GN1210000 | A-342 | \$14,721 |
| EDP11S058GN1211000 | A-344 | \$15,484 |
| EDP11S058GN3R | A-345 | \$13,673 |
| EDP11S058GN3R01000 | A-347 | \$14,436 |
| EDP11S058GN3R10000 | A-346 | \$16,368 |
| EDP11S058GN3R11000 | A-348 | \$16,683 |
| EDP11S070DN12 | A-341 | \$12,162 |
| EDP11S070DN1201000 | A-343 | \$12,925 |
| EDP11S070DN1210000 | A-342 | \$14,857 |
| EDP11S070DN1211000 | A-344 | \$15,620 |
| EDP11S070DN3R | A-345 | \$14,162 |
| EDP11S070DN3R01000 | A-347 | \$14,925 |
| EDP11S070DN3R10000 | A-346 | \$16,857 |
| EDP11S070DN3R11000 | A-348 | \$17,620 |
| EDP11S070GN12 | A-341 | \$12,729 |
| EDP11S070GN1201000 | A-343 | \$13,492 |
| EDP11S070GN1210000 | A-342 | \$15,424 |
| EDP11S070GN1211000 | A-344 | \$16,187 |
| EDP11S070GN3R | A-345 | \$14,451 |
| EDP11S070GN3R01000 | A-347 | \$15,214 |
| EDP11S070GN3R10000 | A-346 | \$17,146 |
| EDP11S070GN3R11000 | A-348 | \$17,909 |
| EDP11S086DN12 | A-341 | \$14,321 |
| EDP11S086DN1201000 | A-343 | \$15,084 |
| EDP11S086DN1210000 | A-342 | \$17,016 |
| EDP11S086DN1211000 | A-344 | \$17,779 |
| EDP11S086DN3R | A-345 | \$16,320 |
| EDP11S086DN3R01000 | A-347 | \$17,083 |
| EDP11S086DN3R10000 | A-346 | \$19,015 |
| EDP11S086DN3R11000 | A-348 | \$19,778 |
| EDP11S088GN12 | A-341 | \$14,988 |
| EDP11S088GN1201000 | A-343 | \$15,751 |
| EDP11S088GN1210000 | A-342 | \$17,876 |
| EDP11S088GN1211000 | A-344 | \$18,639 |
| EDP11S088GN3R | A-345 | \$16,653 |
| EDP11S088GN3R01000 | A-347 | \$17,416 |
| EDP11S088GN3R10000 | A-346 | \$19,541 |
| EDP11S088GN3R11000 | A-348 | \$20,304 |

| Part Number | Page(s) | Price |
|--------------------|---------|----------|
| EDP11S105DN12 | A-341 | \$17,164 |
| EDP11S105DN1201000 | A-343 | \$17,927 |
| EDP11S105DN1210000 | A-342 | \$20,052 |
| EDP11S105DN1211000 | A-344 | \$20,815 |
| EDP11S105DN3R | A-345 | \$19,338 |
| EDP11S105DN3R01000 | A-347 | \$20,101 |
| EDP11S105DN3R10000 | A-346 | \$22,226 |
| EDP11S105DN3R11000 | A-348 | \$22,989 |
| EDP11S105GN12 | A-341 | \$17,964 |
| EDP11S105GN1201000 | A-343 | \$18,727 |
| EDP11S105GN1210000 | A-342 | \$21,308 |
| EDP11S105GN1211000 | A-344 | \$22,071 |
| EDP11S105GN3R | A-345 | \$19,733 |
| EDP11S105GN3R01000 | A-347 | \$20,496 |
| EDP11S105GN3R10000 | A-346 | \$23,077 |
| EDP11S105GN3R11000 | A-348 | \$23,840 |
| EDP11S142DN12 | A-341 | \$19,793 |
| EDP11S142DN1201000 | A-343 | \$20,556 |
| EDP11S142DN1210000 | A-342 | \$24,778 |
| EDP11S142DN1211000 | A-344 | \$25,541 |
| EDP11S142DN3R | A-345 | \$21,967 |
| EDP11S142DN3R01000 | A-347 | \$22,730 |
| EDP11S142DN3R10000 | A-346 | \$26,952 |
| EDP11S142DN3R11000 | A-348 | \$27,715 |
| EDP11S142GN12 | A-341 | \$20,715 |
| EDP11S142GN1201000 | A-343 | \$21,478 |
| EDP11S142GN1210000 | A-342 | \$25,700 |
| EDP11S142GN1211000 | A-344 | \$26,463 |
| EDP11S142GN3R | A-345 | \$22,415 |
| EDP11S142GN3R01000 | A-347 | \$23,178 |
| EDP11S142GN3R10000 | A-346 | \$27,400 |
| EDP11S142GN3R11000 | A-348 | \$28,163 |
| EDP11S180DN12 | A-341 | \$25,116 |
| EDP11S180DN1201000 | A-343 | \$25,879 |
| EDP11S180DN1210000 | A-342 | \$31,111 |
| EDP11S180DN1211000 | A-344 | \$31,874 |
| EDP11S180DN3R | A-345 | \$27,290 |
| EDP11S180DN3R01000 | A-347 | \$28,053 |
| EDP11S180DN3R10000 | A-346 | \$33,285 |
| EDP11S180DN3R11000 | A-348 | \$34,048 |
| EDP11S180GN12 | A-341 | \$26,286 |
| EDP11S180GN1201000 | A-343 | \$27,049 |
| EDP11S180GN1210000 | A-342 | \$32,281 |
| EDP11S180GN1211000 | A-344 | \$33,044 |
| EDP11S180GN3R | A-345 | \$27,847 |
| EDP11S180GN3R01000 | A-347 | \$28,610 |
| EDP11S180GN3R10000 | A-346 | \$33,842 |
| EDP11S180GN3R11000 | A-348 | \$34,605 |
| EDP11S211DN12 | A-341 | \$28,326 |
| EDP11S211DN1201000 | A-343 | \$29,089 |
| EDP11S211DN1210000 | A-342 | \$35,651 |

| Part Number | Page(s) | Price |
|--------------------|---------|----------|
| EDP11S211DN1211000 | A-344 | \$36,414 |
| EDP11S211DN3R | A-345 | \$30,499 |
| EDP11S211DN3R01000 | A-347 | \$31,262 |
| EDP11S211DN3R10000 | A-346 | \$37,824 |
| EDP11S211DN3R11000 | A-348 | \$38,587 |
| EDP11S211GN12 | A-341 | \$29,645 |
| EDP11S211GN1201000 | A-343 | \$30,408 |
| EDP11S211GN1210000 | A-342 | \$36,970 |
| EDP11S211GN1211000 | A-344 | \$37,733 |
| EDP11S211GN3R | A-345 | \$31,122 |
| EDP11S211GN3R01000 | A-347 | \$31,885 |
| EDP11S211GN3R10000 | A-346 | \$38,447 |
| EDP11S211GN3R11000 | A-348 | \$39,210 |
| EDP11S242GN12 | A-341 | \$40,755 |
| EDP11S242GN1201000 | A-343 | \$41,613 |
| EDP11S242GN1210000 | A-342 | \$53,334 |
| EDP11S242GN1211000 | A-344 | \$54,097 |
| EDP11S242GN3R | A-345 | \$45,693 |
| EDP11S242GN3R01000 | A-347 | \$46,456 |
| EDP11S242GN3R10000 | A-346 | \$58,272 |
| EDP11S242GN3R11000 | A-348 | \$59,035 |
| EDP11S312GN12 | A-341 | \$45,114 |
| EDP11S312GN1201000 | A-343 | \$45,972 |
| EDP11S312GN1210000 | A-342 | \$59,257 |
| EDP11S312GN1211000 | A-344 | \$60,115 |
| EDP11S312GN3R | A-345 | \$50,053 |
| EDP11S312GN3R01000 | A-347 | \$50,911 |
| EDP11S312GN3R10000 | A-346 | \$64,196 |
| EDP11S312GN3R11000 | A-348 | \$65,054 |
| EDP11S370GN12 | A-341 | \$47,743 |
| EDP11S370GN1201000 | A-343 | \$48,601 |
| EDP11S370GN1210000 | A-342 | \$62,146 |
| EDP11S370GN1211000 | A-344 | \$63,004 |
| EDP11S370GN3R | A-345 | \$52,682 |
| EDP11S370GN3R01000 | A-347 | \$53,540 |
| EDP11S370GN3R10000 | A-346 | \$67,085 |
| EDP11S370GN3R11000 | A-348 | \$67,943 |
| EDP11S477GN12 | A-341 | \$54,585 |
| EDP11S477GN1201000 | A-343 | \$55,443 |
| EDP11S477GN1210000 | A-342 | \$76,618 |
| EDP11S477GN1211000 | A-344 | \$77,476 |
| EDP11S477GN3R | A-345 | \$59,523 |
| EDP11S477GN3R01000 | A-347 | \$60,381 |
| EDP11S477GN3R10000 | A-346 | \$81,556 |
| EDP11S477GN3R11000 | A-348 | \$82,414 |
| EDP11S515GN12 | A-341 | \$66,023 |
| EDP11S515GN1201000 | A-343 | \$66,881 |
| EDP11S515GN1210000 | A-342 | \$88,056 |
| EDP11S515GN1211000 | A-344 | \$88,914 |
| EDP11S515GN3R | A-345 | \$71,976 |
| EDP11S515GN3R01000 | A-347 | \$72,834 |

| Part Number | Page(s) | Price |
|--------------------|---------|-----------|
| EDP11S515GN3R10000 | A-346 | \$94,009 |
| EDP11S515GN3R11000 | A-348 | \$94,867 |
| EDP11S601GN12 | A-341 | \$71,875 |
| EDP11S601GN1201000 | A-343 | \$72,733 |
| EDP11S601GN1210000 | A-342 | \$99,447 |
| EDP11S601GN1211000 | A-344 | \$100,305 |
| EDP11S601GN3R | A-345 | \$77,828 |
| EDP11S601GN3R01000 | A-347 | \$78,686 |
| EDP11S601GN3R10000 | A-346 | \$105,400 |
| EDP11S601GN3R11000 | A-348 | \$106,258 |
| EDP11S720GN12 | A-341 | \$88,556 |
| EDP11S720GN1201000 | A-343 | \$89,414 |
| EDP11S720GN1210000 | A-342 | \$119,944 |
| EDP11S720GN1211000 | A-344 | \$120,802 |
| EDP11S720GN3R | A-345 | \$94,509 |
| EDP11S720GN3R01000 | A-347 | \$95,367 |
| EDP11S720GN3R10000 | A-346 | \$125,897 |
| EDP11S720GN3R11000 | A-348 | \$126,755 |
| ENCCBLMS-10 | A-416 | \$232 |
| ENCCBLMS-20 | A-416 | \$413 |
| ENCCBLMS-30 | A-417 | \$454 |
| ENCCBLMS-50 | A-417 | \$672 |
| ESW-105V18A-R44 | A-356 | \$1,028 |
| ESW-105V18A-R45 | A-356 | \$1,028 |
| ESW-105V18E-R44 | A-363 | \$975 |
| ESW-105V18E-R45 | A-363 | \$975 |
| ESW-105V24A-R44 | A-363 | \$1,028 |
| ESW-105V24A-R45 | A-363 | \$1,028 |
| ESW-105V24E-R44 | A-363 | \$975 |
| ESW-105V24E-R45 | A-363 | \$975 |
| ESW-105V47A-R44 | A-363 | \$1,028 |
| ESW-105V47A-R45 | A-363 | \$1,028 |
| ESW-105V47E-R44 | A-363 | \$975 |
| ESW-105V47E-R45 | A-363 | \$975 |
| ESW-40V18A-R35 | A-363 | \$345 |
| ESW-40V18E-R35 | A-363 | \$292 |
| ESW-40V24A-R35 | A-363 | \$345 |
| ESW-40V24E-R35 | A-363 | \$292 |
| ESW-40V47A-R35 | A-363 | \$345 |
| ESW-40V47E-R35 | A-363 | \$292 |
| ESW-50V18A-R38 | A-363 | \$403 |
| ESW-50V18E-R38 | A-363 | \$350 |
| ESW-50V24A-R38 | A-363 | \$403 |
| ESW-50V24E-R38 | A-363 | \$350 |
| ESW-50V47A-R38 | A-363 | \$403 |
| ESW-50V47E-R38 | A-363 | \$350 |
| ESW-65V18A-R39 | A-363 | \$428 |
| ESW-65V18E-R39 | A-363 | \$375 |
| ESW-65V24A-R39 | A-363 | \$428 |
| ESW-65V24E-R39 | A-363 | \$375 |
| ESW-65V47A-R39 | A-363 | \$428 |

| Part Number | Page(s) | Price |
|-----------------|---------|-------|
| ESW-65V47E-R39 | A-363 | \$375 |
| ESW-80V18A-R41 | A-363 | \$474 |
| ESW-80V18E-R41 | A-363 | \$421 |
| ESW-80V24A-R41 | A-363 | \$474 |
| ESW-80V24E-R41 | A-363 | \$421 |
| ESW-80V47A-R41 | A-363 | \$474 |
| ESW-80V47E-R41 | A-363 | \$421 |
| ESW-95V18A-R43 | A-363 | \$929 |
| ESW-95V18E-R43 | A-363 | \$876 |
| ESW-95V24A-R43 | A-363 | \$929 |
| ESW-95V24E-R43 | A-363 | \$876 |
| ESW-95V47A-R43 | A-363 | \$929 |
| ESW-95V47E-R43 | A-363 | \$876 |
| ESW-B12D15A-R30 | A-363 | \$227 |
| ESW-B12D15E-R30 | A-363 | \$174 |
| ESW-B12D39A-R30 | A-363 | \$227 |
| ESW-B12D39E-R30 | A-363 | \$174 |
| ESW-B12V24A-R30 | A-363 | \$227 |
| ESW-B12V24E-R30 | A-363 | \$174 |
| ESW-B18D15A-R32 | A-363 | \$241 |
| ESW-B18D15E-R32 | A-363 | \$188 |
| ESW-B18D39A-R32 | A-363 | \$241 |
| ESW-B18D39E-R32 | A-363 | \$188 |
| ESW-B18V24A-R32 | A-363 | \$241 |
| ESW-B18V24E-R32 | A-363 | \$188 |
| ESW-B25D15A-R33 | A-363 | \$276 |
| ESW-B25D15E-R33 | A-363 | \$223 |
| ESW-B25D39A-R33 | A-363 | \$276 |
| ESW-B25D39E-R33 | A-363 | \$223 |
| ESW-B25V24A-R33 | A-363 | \$276 |
| ESW-B25V24E-R33 | A-363 | \$223 |
| ESW-B32D15A-R34 | A-363 | \$298 |
| ESW-B32D15E-R34 | A-363 | \$245 |
| ESW-B32D39A-R34 | A-363 | \$298 |
| ESW-B32D39E-R34 | A-363 | \$245 |
| ESW-B32V24A-R34 | A-363 | \$298 |
| ESW-B32V24E-R34 | A-363 | \$245 |
| ESW-B38D15A-R35 | A-363 | \$345 |
| ESW-B38D15E-R35 | A-363 | \$292 |
| ESW-B38D39A-R35 | A-363 | \$345 |
| ESW-B38D39E-R35 | A-363 | \$292 |
| ESW-B38V24A-R35 | A-363 | \$345 |
| ESW-B38V24E-R35 | A-363 | \$292 |
| ESW-B9D15A-R23 | A-363 | \$210 |
| ESW-B9D15A-R24 | A-363 | \$210 |
| ESW-B9D15A-R25 | A-363 | \$210 |
| ESW-B9D15A-R26 | A-363 | \$210 |
| ESW-B9D15A-R27 | A-363 | \$210 |
| ESW-B9D15A-R28 | A-363 | \$210 |
| ESW-B9D15A-R29 | A-363 | \$210 |
| ESW-B9D15E-R23 | A-363 | \$157 |

| Part Number | Page(s) | Price |
|-------------------|---------|---------|
| ESW-B9D15E-R24 | A-363 | \$157 |
| ESW-B9D15E-R25 | A-363 | \$157 |
| ESW-B9D15E-R26 | A-363 | \$157 |
| ESW-B9D15E-R27 | A-363 | \$157 |
| ESW-B9D15E-R28 | A-363 | \$157 |
| ESW-B9D15E-R29 | A-363 | \$157 |
| ESW-B9D39A-R23 | A-363 | \$210 |
| ESW-B9D39A-R24 | A-363 | \$210 |
| ESW-B9D39A-R25 | A-363 | \$210 |
| ESW-B9D39A-R26 | A-363 | \$210 |
| ESW-B9D39A-R27 | A-363 | \$210 |
| ESW-B9D39A-R28 | A-363 | \$210 |
| ESW-B9D39A-R29 | A-363 | \$210 |
| ESW-B9D39E-R23 | A-363 | \$157 |
| ESW-B9D39E-R24 | A-363 | \$157 |
| ESW-B9D39E-R25 | A-363 | \$157 |
| ESW-B9D39E-R27 | A-363 | \$157 |
| ESW-B9D39E-R28 | A-363 | \$157 |
| ESW-B9D39E-R29 | A-363 | \$157 |
| ESW-B9D39-R26 | A-363 | \$157 |
| ESW-B9V24A-R23 | A-363 | \$210 |
| ESW-B9V24A-R24 | A-363 | \$210 |
| ESW-B9V24A-R25 | A-363 | \$210 |
| ESW-B9V24A-R26 | A-363 | \$210 |
| ESW-B9V24A-R27 | A-363 | \$210 |
| ESW-B9V24A-R28 | A-363 | \$210 |
| ESW-B9V24A-R29 | A-363 | \$210 |
| ESW-B9V24E-R23 | A-363 | \$157 |
| ESW-B9V24E-R24 | A-363 | \$157 |
| ESW-B9V24E-R25 | A-363 | \$157 |
| ESW-B9V24E-R26 | A-363 | \$157 |
| ESW-B9V24E-R27 | A-363 | \$157 |
| ESW-B9V24E-R28 | A-363 | \$157 |
| ESW-B9V24E-R29 | A-363 | \$157 |
| ESWC-105T02N4-R43 | A-373 | \$3,015 |
| ESWC-105T02N4-R44 | A-373 | \$3,050 |
| ESWC-105T04N4-R43 | A-374 | \$3,015 |
| ESWC-105T04N4-R44 | A-374 | \$3,050 |
| ESWC-105T05N4-R43 | A-374 | \$3,015 |
| ESWC-105T05N4-R44 | A-374 | \$3,050 |
| ESWC-105V18N4-R43 | A-370 | \$2,765 |
| ESWC-105V18N4-R44 | A-370 | \$2,800 |
| ESWC-105V24N4-R43 | A-373 | \$2,765 |
| ESWC-105V24N4-R44 | A-373 | \$2,800 |
| ESWC-105V47N4-R43 | A-373 | \$2,765 |
| ESWC-105V47N4-R44 | A-373 | \$2,800 |
| ESWC-150T02N4-R48 | A-374 | \$5,610 |
| ESWC-150T02N4-R49 | A-374 | \$5,690 |
| ESWC-150T04N4-R48 | A-374 | \$5,610 |
| ESWC-150T04N4-R49 | A-374 | \$5,690 |
| ESWC-150T05N4-R48 | A-374 | \$5,610 |

| Part Number | Page(s) | Price |
|-------------------|---------|---------|
| ESWC-150T05N4-R49 | A-374 | \$5,690 |
| ESWC-150V18N4-R48 | A-373 | \$5,210 |
| ESWC-150V18N4-R49 | A-373 | \$5,290 |
| ESWC-150V24N4-R48 | A-373 | \$5,210 |
| ESWC-150V24N4-R49 | A-373 | \$5,290 |
| ESWC-150V47N4-R48 | A-373 | \$5,210 |
| ESWC-150V47N4-R49 | A-373 | \$5,290 |
| ESWC-180T02N4-R49 | A-374 | \$5,930 |
| ESWC-180T04N4-R49 | A-374 | \$5,930 |
| ESWC-180T05N4-R49 | A-374 | \$5,930 |
| ESWC-180V18N4-R49 | A-373 | \$5,530 |
| ESWC-180V24N4-R49 | A-373 | \$5,530 |
| ESWC-180V47N4-R49 | A-373 | \$5,530 |
| ESWC-25T02N4-R27 | A-374 | \$1,835 |
| ESWC-25T02N4-R28 | A-374 | \$1,835 |
| ESWC-25T02N4-R30 | A-374 | \$1,835 |
| ESWC-25T02N4-R32 | A-374 | \$1,880 |
| ESWC-25T02N4-R33 | A-374 | \$1,880 |
| ESWC-25T04N4-R27 | A-374 | \$1,835 |
| ESWC-25T04N4-R28 | A-374 | \$1,835 |
| ESWC-25T04N4-R30 | A-374 | \$1,835 |
| ESWC-25T04N4-R32 | A-374 | \$1,880 |
| ESWC-25T04N4-R33 | A-374 | \$1,880 |
| ESWC-25T05N4-R27 | A-374 | \$1,835 |
| ESWC-25T05N4-R28 | A-374 | \$1,835 |
| ESWC-25T05N4-R30 | A-374 | \$1,835 |
| ESWC-25T05N4-R32 | A-374 | \$1,880 |
| ESWC-25T05N4-R33 | A-374 | \$1,880 |
| ESWC-25V18N4-R27 | A-373 | \$1,635 |
| ESWC-25V18N4-R28 | A-373 | \$1,635 |
| ESWC-25V18N4-R30 | A-373 | \$1,635 |
| ESWC-25V18N4-R32 | A-373 | \$1,680 |
| ESWC-25V18N4-R33 | A-373 | \$1,680 |
| ESWC-25V24N4-R27 | A-373 | \$1,635 |
| ESWC-25V24N4-R28 | A-373 | \$1,635 |
| ESWC-25V24N4-R30 | A-373 | \$1,635 |
| ESWC-25V24N4-R32 | A-373 | \$1,680 |
| ESWC-25V24N4-R33 | A-373 | \$1,680 |
| ESWC-25V47N4-R27 | A-373 | \$1,635 |
| ESWC-25V47N4-R28 | A-373 | \$1,635 |
| ESWC-25V47N4-R30 | A-373 | \$1,635 |
| ESWC-25V47N4-R32 | A-373 | \$1,680 |
| ESWC-25V47N4-R33 | A-373 | \$1,680 |
| ESWC-300T02N4-R50 | A-374 | \$9,070 |
| ESWC-300T02N4-R51 | A-374 | \$9,650 |
| ESWC-300T04N4-R50 | A-374 | \$9,070 |
| ESWC-300T04N4-R51 | A-374 | \$9,650 |
| ESWC-300T05N4-R50 | A-374 | \$9,070 |
| ESWC-300T05N4-R51 | A-374 | \$9,650 |
| ESWC-300V18N4-R50 | A-373 | \$8,670 |
| ESWC-300V18N4-R51 | A-373 | \$9,250 |

| Part Number | Page(s) | Price |
|-------------------|---------|---------|
| ESWC-300V24N4-R50 | A-373 | \$8,670 |
| ESWC-300V24N4-R51 | A-373 | \$9,250 |
| ESWC-300V47N4-R50 | A-373 | \$8,670 |
| ESWC-40T02N4-R34 | A-374 | \$1,965 |
| ESWC-40T02N4-R35 | A-374 | \$2,050 |
| ESWC-40T02N4-R37 | A-374 | \$2,180 |
| ESWC-40T04N4-R34 | A-374 | \$1,965 |
| ESWC-40T04N4-R35 | A-374 | \$2,050 |
| ESWC-40T04N4-R37 | A-374 | \$2,180 |
| ESWC-40T05N4-R34 | A-374 | \$1,965 |
| ESWC-40T05N4-R35 | A-374 | \$2,050 |
| ESWC-40T05N4-R37 | A-374 | \$2,180 |
| ESWC-40V18N4-R34 | A-373 | \$1,765 |
| ESWC-40V18N4-R35 | A-373 | \$1,850 |
| ESWC-40V18N4-R37 | A-373 | \$1,980 |
| ESWC-40V24N4-R34 | A-373 | \$1,765 |
| ESWC-40V24N4-R35 | A-373 | \$1,850 |
| ESWC-40V24N4-R37 | A-373 | \$1,980 |
| ESWC-40V47N4-R34 | A-373 | \$1,765 |
| ESWC-40V47N4-R35 | A-373 | \$1,850 |
| ESWC-40V47N4-R37 | A-373 | \$1,980 |
| ESWC-65T02N4-R39 | A-374 | \$2,320 |
| ESWC-65T02N4-R41 | A-374 | \$2,410 |
| ESWC-65T04N4-R39 | A-374 | \$2,320 |
| ESWC-65T04N4-R41 | A-374 | \$2,410 |
| ESWC-65T05N4-R39 | A-374 | \$2,320 |
| ESWC-65T05N4-R41 | A-374 | \$2,410 |
| ESWC-65V18N4-R39 | A-373 | \$2,070 |
| ESWC-65V18N4-R41 | A-373 | \$2,160 |
| ESWC-65V24N4-R39 | A-373 | \$2,070 |
| ESWC-65V24N4-R41 | A-373 | \$2,160 |
| ESWC-65V47N4-R39 | A-373 | \$2,070 |
| ESWC-65V47N4-R41 | A-373 | \$2,160 |
| ESWE-18T02KX-D11 | A-374 | \$1,155 |
| ESWE-18T04KX-D11 | A-374 | \$1,155 |
| ESWE-18T05KX-D11 | A-376 | \$1,155 |
| ESWE-18V18KX-D11 | A-376 | \$875 |
| ESWE-18V24KX-D11 | A-376 | \$875 |
| ESWE-18V47KX-D11 | A-376 | \$875 |
| ESWE-25T02KX-D12 | A-376 | \$1,175 |
| ESWE-25T04KX-D12 | A-376 | \$1,175 |
| ESWE-25T05KX-D12 | A-376 | \$1,175 |
| ESWE-25V18KX-D12 | A-376 | \$900 |
| ESWE-25V24KX-D12 | A-376 | \$900 |
| ESWE-25V47KX-D12 | A-376 | \$900 |
| ESWE-40T02KX-D14 | A-376 | \$1,260 |
| ESWE-40T04KX-D14 | A-376 | \$1,260 |
| ESWE-40T05KX-D14 | A-376 | \$1,260 |
| ESWE-40V18KX-D14 | A-376 | \$990 |
| ESWE-40V24KX-D14 | A-376 | \$990 |
| ESWE-40V47KX-D14 | A-376 | \$990 |

| Part Number | Page(s) | Price |
|-------------------|---------|---------|
| ESWE-9T02KX-D06 | A-376 | \$1,140 |
| ESWE-9T02KX-D07 | A-376 | \$1,140 |
| ESWE-9T02KX-D08 | A-376 | \$1,140 |
| ESWE-9T02KX-D09 | A-376 | \$1,140 |
| ESWE-9T02KX-D10 | A-376 | \$1,140 |
| ESWE-9T04KX-D05 | A-376 | \$1,140 |
| ESWE-9T04KX-D06 | A-376 | \$1,140 |
| ESWE-9T04KX-D07 | A-376 | \$1,140 |
| ESWE-9T04KX-D08 | A-376 | \$1,140 |
| ESWE-9T04KX-D09 | A-376 | \$1,140 |
| ESWE-9T04KX-D10 | A-376 | \$1,140 |
| ESWE-9T05KX-D05 | A-376 | \$1,140 |
| ESWE-9T05KX-D06 | A-376 | \$1,140 |
| ESWE-9T05KX-D07 | A-376 | \$1,140 |
| ESWE-9T05KX-D08 | A-376 | \$1,140 |
| ESWE-9T05KX-D09 | A-376 | \$1,140 |
| ESWE-9T05KX-D10 | A-376 | \$1,140 |
| ESWE-9V18KX-D05 | A-376 | \$855 |
| ESWE-9V18KX-D06 | A-376 | \$855 |
| ESWE-9V18KX-D07 | A-376 | \$855 |
| ESWE-9V18KX-D08 | A-376 | \$855 |
| ESWE-9V18KX-D09 | A-376 | \$855 |
| ESWE-9V18KX-D10 | A-376 | \$865 |
| ESWE-9V24KX-D06 | A-376 | \$855 |
| ESWE-9V24KX-D07 | A-376 | \$855 |
| ESWE-9V24KX-D08 | A-376 | \$855 |
| ESWE-9V24KX-D09 | A-376 | \$855 |
| ESWE-9V24KX-D10 | A-376 | \$865 |
| ESWE-9V47KX-D05 | A-376 | \$855 |
| ESWE-9V47KX-D06 | A-376 | \$855 |
| ESWE-9V47KX-D07 | A-376 | \$855 |
| ESWE-9V47KX-D08 | A-376 | \$855 |
| ESWE-9V47KX-D09 | A-376 | \$855 |
| ESWE-9V47KX-D10 | A-376 | \$865 |
| ESWF-105T02N4-D24 | A-377 | \$2,635 |
| ESWF-105T04N4-D24 | A-377 | \$2,635 |
| ESWF-105T05N4-D24 | A-378 | \$2,635 |
| ESWF-105V18N4-D24 | A-376 | \$2,435 |
| ESWF-105V24N4-D24 | A-376 | \$2,435 |
| ESWF-105V47N4-D24 | A-377 | \$2,435 |
| ESWF-18T02N4-D11 | A-378 | \$1,400 |
| ESWF-18T04N4-D11 | A-378 | \$1,400 |
| ESWF-18T05N4-D11 | A-378 | \$1,400 |
| ESWF-18V18N4-D11 | A-377 | \$1,300 |
| ESWF-18V24N4-D11 | A-377 | \$1,300 |
| ESWF-18V47N4-D11 | A-377 | \$1,300 |
| ESWF-25T02N4-D12 | A-378 | \$1,490 |
| ESWF-25T04N4-D12 | A-378 | \$1,490 |
| ESWF-25T05N4-D12 | A-378 | \$1,490 |
| ESWF-25V18N4-D12 | A-377 | \$1,390 |
| ESWF-25V24N4-D12 | A-377 | \$1,390 |

| Part Number | Page(s) | Price |
|------------------|---------|---------|
| ESWF-25V47N4-D12 | A-377 | \$1,390 |
| ESWF-40T02N4-D14 | A-378 | \$1,620 |
| ESWF-40T04N4-D14 | A-378 | \$1,620 |
| ESWF-40T05N4-D14 | A-378 | \$1,620 |
| ESWF-40V18N4-D14 | A-377 | \$1,470 |
| ESWF-40V24N4-D14 | A-377 | \$1,470 |
| ESWF-40V47N4-D14 | A-377 | \$1,470 |
| ESWF-50T02N4-D14 | A-378 | \$1,990 |
| ESWF-50T04N4-D19 | A-378 | \$1,990 |
| ESWF-50T05N4-D19 | A-378 | \$1,990 |
| ESWF-50V18N4-D19 | A-377 | \$1,840 |
| ESWF-50V24N4-D19 | A-377 | \$1,840 |
| ESWF-50V47N4-D19 | A-377 | \$1,840 |
| ESWF-65T02N4-D20 | A-378 | \$2,120 |
| ESWF-65T04N4-D20 | A-378 | \$2,120 |
| ESWF-65T05N4-D20 | A-378 | \$2,120 |
| ESWF-65V18N4-D20 | A-377 | \$1,920 |
| ESWF-65V24N4-D20 | A-377 | \$1,920 |
| ESWF-65V47N4-D20 | A-377 | \$1,920 |
| ESWF-80T02N4-D21 | A-378 | \$2,210 |
| ESWF-80T04N4-D21 | A-378 | \$2,210 |
| ESWF-80T05N4-D21 | A-378 | \$2,210 |
| ESWF-80V18N4-D21 | A-377 | \$2,010 |
| ESWF-80V24N4-D21 | A-377 | \$2,010 |
| ESWF-80V47N4-D21 | A-377 | \$2,010 |
| ESWF-95T02N4-D22 | A-378 | \$2,350 |
| ESWF-95T02N4-D23 | A-378 | \$2,465 |
| ESWF-95T04N4-D22 | A-378 | \$2,350 |
| ESWF-95T04N4-D23 | A-378 | \$2,465 |
| ESWF-95T05N4-D22 | A-378 | \$2,350 |
| ESWF-95T05N4-D23 | A-378 | \$2,465 |
| ESWF-95V18N4-D22 | A-377 | \$2,150 |
| ESWF-95V18N4-D23 | A-377 | \$2,265 |
| ESWF-95V24N4-D22 | A-377 | \$2,150 |
| ESWF-95V24N4-D23 | A-377 | \$2,265 |
| ESWF-95V47N4-D22 | A-377 | \$2,150 |
| ESWF-95V47N4-D23 | A-377 | \$2,265 |
| ESWF-9T02N4-D06 | A-378 | \$1,325 |
| ESWF-9T02N4-D07 | A-378 | \$1,325 |
| ESWF-9T02N4-D08 | A-378 | \$1,325 |
| ESWF-9T02N4-D09 | A-378 | \$1,325 |
| ESWF-9T02N4-D10 | A-378 | \$1,325 |
| ESWF-9T04N4-D05 | A-378 | \$1,325 |
| ESWF-9T04N4-D06 | A-378 | \$1,325 |
| ESWF-9T04N4-D07 | A-378 | \$1,325 |
| ESWF-9T04N4-D08 | A-378 | \$1,325 |
| ESWF-9T04N4-D09 | A-378 | \$1,325 |
| ESWF-9T04N4-D10 | A-378 | \$1,325 |
| ESWF-9T05N4-D05 | A-378 | \$1,325 |
| ESWF-9T05N4-D06 | A-378 | \$1,325 |
| ESWF-9T05N4-D07 | A-378 | \$1,325 |

| Part Number | Page(s) | Price |
|-------------------|---------|---------|
| ESWF-9T05N4-D08 | A-378 | \$1,325 |
| ESWF-9T05N4-D09 | A-378 | \$1,325 |
| ESWF-9T05N4-D10 | A-378 | \$1,325 |
| ESWF-9V18N4-D05 | A-377 | \$1,225 |
| ESWF-9V18N4-D06 | A-377 | \$1,225 |
| ESWF-9V18N4-D07 | A-377 | \$1,225 |
| ESWF-9V18N4-D08 | A-377 | \$1,225 |
| ESWF-9V18N4-D09 | A-377 | \$1,225 |
| ESWF-9V18N4-D10 | A-377 | \$1,225 |
| ESWF-9V24N4-D06 | A-377 | \$1,225 |
| ESWF-9V24N4-D07 | A-377 | \$1,225 |
| ESWF-9V24N4-D08 | A-377 | \$1,225 |
| ESWF-9V24N4-D09 | A-377 | \$1,225 |
| ESWF-9V24N4-D10 | A-377 | \$1,225 |
| ESWF-9V47N4-D05 | A-377 | \$1,225 |
| ESWF-9V47N4-D06 | A-377 | \$1,225 |
| ESWF-9V47N4-D07 | A-377 | \$1,225 |
| ESWF-9V47N4-D08 | A-377 | \$1,225 |
| ESWF-9V47N4-D09 | A-377 | \$1,225 |
| ESWF-9V47N4-D10 | A-377 | \$1,225 |
| ESWS-40V18A-RM35 | A-364 | \$351 |
| ESWS-40V18E-RM35 | A-363 | \$274 |
| ESWS-40V24A-RM35 | A-364 | \$351 |
| ESWS-40V24E-RM35 | A-363 | \$274 |
| ESWS-50V18A-RM38 | A-364 | \$423 |
| ESWS-50V18E-RM38 | A-364 | \$330 |
| ESWS-50V24A-RM38 | A-364 | \$423 |
| ESWS-50V24E-RM38 | A-364 | \$330 |
| ESWS-B12D15A-RM30 | A-364 | \$227 |
| ESWS-B12D15E-RM30 | A-364 | \$135 |
| ESWS-B12V24A-RM30 | A-364 | \$227 |
| ESWS-B12V24E-RM30 | A-364 | \$135 |
| ESWS-B18D15A-RM31 | A-364 | \$241 |
| ESWS-B18D15A-RM32 | A-364 | \$241 |
| ESWS-B18D15E-RM31 | A-364 | \$161 |
| ESWS-B18D15E-RM32 | A-364 | \$170 |
| ESWS-B18V24A-RM31 | A-364 | \$241 |
| ESWS-B18V24A-RM32 | A-364 | \$241 |
| ESWS-B18V24E-RM31 | A-364 | \$161 |
| ESWS-B18V24E-RM32 | A-364 | \$170 |
| ESWS-B25D15A-RM33 | A-364 | \$276 |
| ESWS-B25D15E-RM33 | A-364 | \$180 |
| ESWS-B25V24A-RM33 | A-364 | \$276 |
| ESWS-B25V24E-RM33 | A-364 | \$180 |
| ESWS-B32D15A-RM34 | A-364 | \$276 |
| ESWS-B32D15E-RM34 | A-364 | \$230 |
| ESWS-B32V24A-RM34 | A-364 | \$276 |
| ESWS-B32V24E-RM34 | A-364 | \$230 |
| ESWS-B38D15A-RM35 | A-364 | \$327 |
| ESWS-B38D15E-RM35 | A-364 | \$274 |
| ESWS-B38V24A-RM35 | A-364 | \$327 |

| Part Number | Page(s) | Price |
|--------------------|---------|---------|
| ESWS-B38V24E-RM35 | A-364 | \$274 |
| ESWS-B9D15A-RM23 | A-364 | \$188 |
| ESWS-B9D15A-RM24 | A-364 | \$188 |
| ESWS-B9D15A-RM25 | A-364 | \$188 |
| ESWS-B9D15A-RM26 | A-364 | \$188 |
| ESWS-B9D15A-RM27 | A-364 | \$188 |
| ESWS-B9D15A-RM28 | A-364 | \$188 |
| ESWS-B9D15A-RM29 | A-364 | \$188 |
| ESWS-B9D15E-RM23 | A-364 | \$135 |
| ESWS-B9D15E-RM24 | A-364 | \$135 |
| ESWS-B9D15E-RM25 | A-364 | \$135 |
| ESWS-B9D15E-RM26 | A-364 | \$135 |
| ESWS-B9D15E-RM27 | A-364 | \$135 |
| ESWS-B9D15E-RM28 | A-364 | \$135 |
| ESWS-B9D15E-RM29 | A-364 | \$135 |
| ESWS-B9V24A-RM23 | A-364 | \$188 |
| ESWS-B9V24A-RM24 | A-364 | \$188 |
| ESWS-B9V24A-RM25 | A-364 | \$188 |
| ESWS-B9V24A-RM26 | A-364 | \$188 |
| ESWS-B9V24A-RM27 | A-364 | \$188 |
| ESWS-B9V24A-RM28 | A-364 | \$188 |
| ESWS-B9V24A-RM29 | A-364 | \$188 |
| ESWS-B9V24E-RM23 | A-364 | \$135 |
| ESWS-B9V24E-RM24 | A-364 | \$135 |
| ESWS-B9V24E-RM25 | A-364 | \$135 |
| ESWS-B9V24E-RM26 | A-364 | \$135 |
| ESWS-B9V24E-RM27 | A-364 | \$135 |
| ESWS-B9V24E-RM28 | A-364 | \$135 |
| ESWS-B9V24E-RM29 | A-364 | \$135 |
| ESWX-105V18A79-R43 | A-385 | \$4,600 |
| ESWX-105V18A79-R44 | A-385 | \$4,600 |
| ESWX-105V18A79-R45 | A-386 | \$4,600 |
| ESWX-105V18E79-R43 | A-386 | \$3,870 |
| ESWX-105V18E79-R44 | A-386 | \$3,870 |
| ESWX-105V18E79-R45 | A-386 | \$3,870 |
| ESWX-105V24A79-R43 | A-386 | \$4,600 |
| ESWX-105V24A79-R45 | A-386 | \$4,600 |
| ESWX-105V24E79-R43 | A-386 | \$3,870 |
| ESWX-105V24E79-R45 | A-386 | \$3,870 |
| ESWX-105V47A79-R43 | A-386 | \$4,600 |
| ESWX-105V47A79-R44 | A-386 | \$4,600 |
| ESWX-105V47E79-R43 | A-386 | \$3,870 |
| ESWX-105V47E79-R44 | A-386 | \$3,870 |
| ESWX-25V18A79-R23 | A-386 | \$3,850 |
| ESWX-25V18A79-R24 | A-386 | \$3,850 |
| ESWX-25V18A79-R25 | A-386 | \$3,850 |
| ESWX-25V18A79-R26 | A-386 | \$3,850 |
| ESWX-25V18A79-R27 | A-386 | \$3,850 |
| ESWX-25V18A79-R28 | A-386 | \$3,850 |
| ESWX-25V18A79-R29 | A-386 | \$3,850 |
| ESWX-25V18A79-R30 | A-386 | \$3,850 |

| Part Number | Page(s) | Price |
|-------------------|---------|---------|
| ESWX-25V18A79-R32 | A-386 | \$3,850 |
| ESWX-25V18A79-R33 | A-386 | \$3,850 |
| ESWX-25V18E79-R23 | A-386 | \$3,250 |
| ESWX-25V18E79-R24 | A-386 | \$3,250 |
| ESWX-25V18E79-R25 | A-386 | \$3,250 |
| ESWX-25V18E79-R26 | A-386 | \$3,250 |
| ESWX-25V18E79-R27 | A-386 | \$3,250 |
| ESWX-25V18E79-R28 | A-386 | \$3,250 |
| ESWX-25V18E79-R29 | A-386 | \$3,250 |
| ESWX-25V18E79-R30 | A-386 | \$3,250 |
| ESWX-25V18E79-R32 | A-386 | \$3,250 |
| ESWX-25V18E79-R33 | A-386 | \$3,250 |
| ESWX-25V24A79-R23 | A-386 | \$3,850 |
| ESWX-25V24A79-R25 | A-386 | \$3,850 |
| ESWX-25V24A79-R26 | A-386 | \$3,850 |
| ESWX-25V24A79-R27 | A-386 | \$3,850 |
| ESWX-25V24A79-R28 | A-386 | \$3,850 |
| ESWX-25V24A79-R29 | A-386 | \$3,850 |
| ESWX-25V24A79-R32 | A-386 | \$3,850 |
| ESWX-25V24A79-R33 | A-386 | \$3,850 |
| ESWX-25V24E79-R23 | A-386 | \$3,250 |
| ESWX-25V24E79-R25 | A-386 | \$3,250 |
| ESWX-25V24E79-R26 | A-386 | \$3,250 |
| ESWX-25V24E79-R27 | A-386 | \$3,250 |
| ESWX-25V24E79-R28 | A-386 | \$3,250 |
| ESWX-25V24E79-R29 | A-386 | \$3,250 |
| ESWX-25V24E79-R32 | A-386 | \$3,250 |
| ESWX-25V24E79-R33 | A-386 | \$3,250 |
| ESWX-25V47A79-R23 | A-386 | \$3,850 |
| ESWX-25V47A79-R24 | A-386 | \$3,850 |
| ESWX-25V47A79-R25 | A-386 | \$3,850 |
| ESWX-25V47A79-R26 | A-386 | \$3,850 |
| ESWX-25V47A79-R27 | A-386 | \$3,850 |
| ESWX-25V47A79-R28 | A-386 | \$3,850 |
| ESWX-25V47A79-R30 | A-386 | \$3,850 |
| ESWX-25V47A79-R32 | A-386 | \$3,850 |
| ESWX-25V47A79-R33 | A-386 | \$3,850 |
| ESWX-25V47E79-R23 | A-386 | \$3,250 |
| ESWX-25V47E79-R24 | A-386 | \$3,250 |
| ESWX-25V47E79-R25 | A-386 | \$3,250 |
| ESWX-25V47E79-R26 | A-386 | \$3,250 |
| ESWX-25V47E79-R27 | A-386 | \$3,250 |
| ESWX-25V47E79-R28 | A-386 | \$3,250 |
| ESWX-25V47E79-R30 | A-386 | \$3,250 |
| ESWX-25V47E79-R32 | A-386 | \$3,250 |
| ESWX-40V18A79-R34 | A-386 | \$3,950 |
| ESWX-40V18A79-R35 | A-386 | \$3,950 |
| ESWX-40V18E79-R34 | A-386 | \$3,300 |
| ESWX-40V18E79-R35 | A-386 | \$3,300 |
| ESWX-40V24A79-R34 | A-386 | \$3,950 |

| Part Number | Page(s) | Price |
|---------------------|--------------|---------|
| ESWX-40V24A79-R35 | A-386 | \$3,950 |
| ESWX-40V24E79-R34 | A-386 | \$3,300 |
| ESWX-40V24E79-R35 | A-386 | \$3,300 |
| ESWX-40V47A79-R34 | A-386 | \$3,950 |
| ESWX-40V47A79-R35 | A-386 | \$3,950 |
| ESWX-40V47E79-R34 | A-386 | \$3,300 |
| ESWX-40V47E79-R35 | A-386 | \$3,300 |
| ESWX-80V18A79-R38 | A-386 | \$4,050 |
| ESWX-80V18A79-R39 | A-386 | \$4,050 |
| ESWX-80V18A79-R41 | A-386 | \$4,050 |
| ESWX-80V18E79-R38 | A-386 | \$3,400 |
| ESWX-80V18E79-R39 | A-386 | \$3,400 |
| ESWX-80V18E79-R41 | A-386 | \$3,420 |
| ESWX-80V24A79-R38 | A-386 | \$4,050 |
| ESWX-80V24A79-R39 | A-386 | \$4,050 |
| ESWX-80V24A79-R41 | A-386 | \$4,050 |
| ESWX-80V24E79-R38 | A-386 | \$3,400 |
| ESWX-80V24E79-R39 | A-386 | \$3,400 |
| ESWX-80V24E79-R41 | A-386 | \$3,420 |
| ESWX-80V47A79-R38 | A-386 | \$4,050 |
| ESWX-80V47A79-R39 | A-386 | \$4,050 |
| ESWX-80V47A79-R41 | A-386 | \$4,050 |
| ESWX-80V47E79-R38 | A-386 | \$3,400 |
| ESWX-80V47E79-R39 | A-386 | \$3,400 |
| ESWX-80V47E79-R41 | A-386 | \$3,420 |
| ESWX-M100R79-U075 | A-383 | \$3,350 |
| ESWX-M100R79-U090 | A-383 | \$3,350 |
| ESWX-M100R79-U100 | A-384 | \$3,350 |
| ESWX-M16A79-D016 | A-378 | \$1,595 |
| ESWX-M16A79-D025 | A-378 | \$1,595 |
| ESWX-M16A79-D063 | A-383 | \$1,595 |
| ESWX-M16A79-U001 | A-383 | \$1,595 |
| ESWX-M16A79-U004 | A-383 | \$1,595 |
| ESWX-M16A79-U010 | A-383 | \$1,595 |
| ESWX-M16A79-U016 | A-383 | \$1,595 |
| ESWX-M25R79-D016 | A-384 | \$2,200 |
| ESWX-M25R79-D025 | A-384 | \$2,200 |
| ESWX-M25R79-D063 | A-384 | \$2,200 |
| ESWX-M25R79-U001 | A-384 | \$2,200 |
| ESWX-M25R79-U004 | A-384 | \$2,200 |
| ESWX-M25R79-U010 | A-384 | \$2,200 |
| ESWX-M25R79-U016 | A-384 | \$2,200 |
| ESWX-M25R79-U020 | A-384 | \$2,200 |
| ESWX-M25R79-U025 | A-384 | \$2,200 |
| ESWX-M25R79-U032 | A-384 | \$2,200 |
| ESWX-M65R79-U040 | A-384 | \$2,600 |
| ESWX-M65R79-U050 | A-384 | \$2,600 |
| ESWX-M65R79-U065 | A-384 | \$2,600 |
| ETHERNET/IP-05 | A-386 | \$1,100 |
| FAN -E1404P-AL | A-422 | \$116 |
| FAN-11101736-AL-W22 | A-423; A-424 | \$580 |

| Part Number | Page(s) | Price |
|----------------------|---------------------|---------|
| FAN-11101737-AL-W22 | A-423 | \$250 |
| FAN-11101746-AL-W22 | A-424; A-425 | \$3,293 |
| FAN-11272463-AL-W22 | A-424; A-425 | \$511 |
| FAN-11482642-W22 | A-420; A-421; A-426 | \$74 |
| FAN-11482679-W22 | A-420; A-421; A-426 | \$66 |
| FAN-E100 | A-419 | \$18 |
| FAN-E100-AL | A-423; A-424 | \$161 |
| FAN-E1404P-AL | A-422 | \$116 |
| FAN-E1804P-AL-B | A-423; A-424 | \$223 |
| FAN-E180W21024P-AL | A-420; A-421 | \$112 |
| FAN-E180W2102P | A-419 | \$12 |
| FAN-E180W2104P | A-420; A-421; A-426 | \$19 |
| FAN-E210-2/8P-AL | A-423 | \$147 |
| FAN-E2102P | A-420; A-421; A-426 | \$17 |
| FAN-E210-4/6P-AL | A-423; A-424 | \$313 |
| FAN-E2104P | A-420; A-421; A-426 | \$24 |
| FAN-E2502-4P-AL-W22 | A-423; A-424 | \$116 |
| FAN-E2502P | A-406 | \$12 |
| FAN-E2504P | A-420; A-421 | \$24 |
| FAN-E2504P-AL-B | A-423; A-424 | \$259 |
| FAN-E2802P | A-420; A-421 | \$12 |
| FAN-E2802P-AL | A-423; A-424 | \$112 |
| FAN-E2804P | A-420; A-421 | \$24 |
| FAN-E2804P-AL-W22 | A-423; A-424 | \$161 |
| FAN-E3202P | A-420; A-421 | \$18 |
| FAN-E3202P-AL-W22 | A-423; A-424 | \$157 |
| FAN-E3204P | A-420; A-421 | \$27 |
| FAN-E3204P-AL | A-423; A-424 | \$421 |
| FAN-E360/4002P-W22 | A-422 | \$59 |
| FAN-E360-4002PAL-W22 | A-423; A-424 | \$205 |
| FAN-E440/500468P-W22 | A-422 | \$89 |
| FAN-E444-505/2P-W22 | A-422 | \$63 |
| FAN-E63 | A-420; A-421 | \$6 |
| FAN-E63-AL | A-423; A-424 | \$55 |
| FAN-E71 | A-406 | \$7 |
| FAN-E71-AL | A-420; A-421 | \$70 |
| FAN-E80 | A-420; A-426 | \$8 |
| FAN-E80-AL | A-423; A-424 | \$88 |
| FAN-FD56/140-15MM | A-425 | \$12 |
| FAN-FD56/140-17MM | A-420; A-421 | \$12 |
| FAN-W22-11101738-AL | A-423; A-424 | \$902 |
| FAN-W22-11101739-AL | A-424; A-425 | \$280 |
| FAN-W22-11101744-AL | A-424; A-425 | \$2,042 |
| FCO-BM140-W22 | A-414 | \$185 |
| FCO-BM180-W22 | A-414 | \$222 |
| FCO-BM210-W22 | A-414 | \$222 |
| FCO-BM250-W22 | A-414 | \$406 |
| FCO-BM280-W22 | A-414 | \$406 |
| FCO-BM320-W22 | A-414 | \$611 |
| FCO-E100 | A-424; A-425 | \$33 |
| FCO-E140-W22 | A-424 | \$26 |

| Part Number | Page(s) | Price |
|---------------------|--------------|---------|
| FCO-E180-S | A-425 | \$46 |
| FCO-E180-W22 | A-425 | \$38 |
| FCO-E210-S | A-426 | \$49 |
| FCO-E210-W22 | A-425 | \$53 |
| FCO-E250-S | A-426 | \$89 |
| FCO-E250-W22 | A-425 | \$121 |
| FCO-E280-W22 | A-425 | \$149 |
| FCO-E320-W22 | A-425 | \$256 |
| FCO-E360-W22 | A-425 | \$672 |
| FCO-E400-W22 | A-425 | \$672 |
| FCO-E440-W22 | A-425 | \$1,032 |
| FCO-E48/W56-S | A-426 | \$20 |
| FCO-E500-W22 | A-425 | \$1,032 |
| FCO-E56/140-S | A-426 | \$19 |
| FCO-E580-W22 | A-425 | \$1,605 |
| FCO-E63 | A-425 | \$23 |
| FCO-E71 | A-425 | \$23 |
| FCO-E80 | A-425 | \$23 |
| FCO-EL440-W22 | A-425 | \$1,032 |
| FLC-0440-314-W40 | A-407 | \$2,457 |
| FLC-0440-319-W40 | A-407 | \$2,457 |
| FLC-048/W56-S | A-408 | \$67 |
| FLC-E140-S | A-394 | \$85 |
| FLC-E140-UBC | A-394 | \$85 |
| FLC-E180-S | A-406; A-407 | \$145 |
| FLC-E180-UBC-W22 | A-406 | \$145 |
| FLC-E210-S | A-406 | \$150 |
| FLC-E210-UBC | A-406 | \$150 |
| FLC-E250-S | A-406 | \$195 |
| FLC-E250-W22 | A-406 | \$195 |
| FLC-E280 | A-406 | \$290 |
| FLC-E320 | A-406 | \$440 |
| FLC-E360-314-W22 | A-292 | \$575 |
| FLC-E400-314 | A-292 | \$620 |
| FLC-E400-316 | A-406 | \$620 |
| FLC-E440-314 | A-406; A-407 | \$830 |
| FLC-E440-319 | A-406 | \$830 |
| FLC-E440-322 | A-406 | \$830 |
| FLC-E48/W56-S | A-406 | \$80 |
| FLC-E500-314-W22 | A-406 | \$1,200 |
| FLC-E500-319-W22 | A-406 | \$1,200 |
| FLC-E500-322-W22 | A-406 | \$1,200 |
| FLC-E56-203-FC149 | A-406 | \$85 |
| FLC-E56-203-FC149-S | A-407 | \$85 |
| FLC-E56-204-FC149 | A-407 | \$85 |
| FLC-E56-204-S | A-407 | \$85 |
| FLC-E580-314 | A-406 | \$1,465 |
| FLC-E580-316 | A-407 | \$1,650 |
| FLC-E580-322 | A-406 | \$1,650 |
| FLC-E580-324 | A-406 | \$1,650 |
| FLC-EL440-314-W22 | A-406 | \$1,200 |

| Part Number | Page(s) | Price |
|----------------------|--------------|---------|
| FLC-EL440-322-W22 | A-406 | \$1,200 |
| FLC-ERS140-UBC | A-406 | \$85 |
| FLC-ERS180-UBC | A-406 | \$145 |
| FLC-ERS210-UBC | A-406; A-407 | \$150 |
| FLC-ERSW180-UBC | A-406 | \$145 |
| FLC-IE140 | A-406 | \$250 |
| FLC-IE180-W22 | A-406 | \$285 |
| FLC-IE210 | A-406 | \$300 |
| FLC-IE250-W22 | A-406 | \$325 |
| FLC-IE280 | A-406 | \$365 |
| FLC-IE320 | A-406 | \$550 |
| FLC-IM100DIN-AL-UBC | A-407 | \$128 |
| FLC-IM112DIN-AL-UBC | A-407 | \$145 |
| FLC-IM112DIN-UBC-W22 | A-407 | \$145 |
| FLC-IM132DIN-AL-UBC | A-407 | \$150 |
| FLC-IM160DIN-W22 | A-407 | \$195 |
| FLC-IM160-W22 | A-407 | \$195 |
| FLC-IM180 | A-407 | \$290 |
| FLC-IM200 | A-407 | \$440 |
| FLC-IM280-316 | A-407 | \$830 |
| FLC-IM63DIN-AL | A-407 | \$39 |
| FLC-IM71DIN-AL-BC | A-407 | \$43 |
| FLC-IM71DIN-BC-W22 | A-407 | \$43 |
| FLC-IM80DIN-AL-BC | A-407 | \$45 |
| FLC-IM90DIN-AL-UBC | A-407 | \$85 |
| FLC-O140-S | A-408 | \$85 |
| FLC-O140-UBC | A-408 | \$85 |
| FLC-O180-S | A-408 | \$145 |
| FLC-O180-UBC | A-408 | \$145 |
| FLC-O210-S | A-408 | \$150 |
| FLC-O210-UBC | A-408 | \$150 |
| FLC-O250 | A-408 | \$195 |
| FLC-O250-S | A-408 | \$195 |
| FLC-O280 | A-408 | \$290 |
| FLC-O320 | A-408 | \$440 |
| FLC-O360-314 | A-408 | \$575 |
| FLC-O400-316 | A-408 | \$620 |
| FLC-O440-314 | A-408 | \$830 |
| FLC-O440-319 | A-408 | \$830 |
| FLC-O48-203-FC149 | A-408 | \$85 |
| FLC-O48-203-FC95 | A-408 | \$85 |
| FLC-O56-203-FC149-S | A-408 | \$85 |
| FLC-O56-204-FC149 | A-408 | \$85 |
| FLC-O56-204-S | A-408 | \$85 |
| FLC-RS250 | A-406 | \$195 |
| FLC-RSW250 | A-406 | \$195 |
| FLC-X140 | A-407 | \$120 |
| FLC-X180 | A-407 | \$201 |
| FLC-X210 | A-407 | \$214 |
| FLC-X250 | A-407 | \$291 |
| FLC-X280 | A-407 | \$517 |

| Part Number | Page(s) | Price |
|-------------------|---------|---------|
| FLC-X320 | A-407 | \$663 |
| FLC-X360-314 | A-407 | \$992 |
| FLC-X400-217 | A-407 | \$1,210 |
| FLC-X440-219 | A-407 | \$1,508 |
| FLC-X440-314 | A-407 | \$1,508 |
| FLC-X440-319 | A-407 | \$1,508 |
| FLD-0440-314-W40 | A-409 | \$3,900 |
| FLD-E140-UBC | A-408 | \$98 |
| FLD-E180-W22 | A-408 | \$171 |
| FLD-E210-UBC | A-409 | \$184 |
| FLD-E250-W22 | A-409 | \$244 |
| FLD-E280 | A-409 | \$318 |
| FLD-E320 | A-409 | \$465 |
| FLD-E360-314-W22 | A-409 | \$620 |
| FLD-E400-314 | A-409 | \$765 |
| FLD-E400-316 | A-409 | \$765 |
| FLD-E440-314 | A-409 | \$932 |
| FLD-E440-319 | A-409 | \$932 |
| FLD-E440-322 | A-409 | \$932 |
| FLD-E500-314-W22 | A-409 | \$1,350 |
| FLD-E500-319-W22 | A-409 | \$1,350 |
| FLD-E500-322-W22 | A-409 | \$1,350 |
| FLD-E580-314 | A-409 | \$2,130 |
| FLD-E580-322 | A-409 | \$2,130 |
| FLD-E580-324 | A-409 | \$2,130 |
| FLD-EL440-314-W22 | A-409 | \$1,350 |
| FLD-EL440-322-W22 | A-409 | \$1,350 |
| FLD-IE210 | A-409 | \$350 |
| FLD-IE250-W22 | A-409 | \$425 |
| FLD-IE280 | A-409 | \$490 |
| FLD-IE320 | A-409 | \$785 |
| FLD-O280 | A-409 | \$318 |
| FLD-O320 | A-410 | \$465 |
| FLD-O360-314 | A-410 | \$620 |
| FLD-O360-314-W40 | A-410 | \$620 |
| FLD-O400-314-W40 | A-410 | \$765 |
| FLD-O400-316 | A-410 | \$765 |
| FLD-O440-314 | A-410 | \$932 |
| FLD-O440-319 | A-410 | \$932 |
| FLD-X140 | A-410 | \$154 |
| FLD-X180 | A-410 | \$210 |
| FLD-X210 | A-410 | \$291 |
| FLD-X250 | A-410 | \$534 |
| FLD-X280 | A-410 | \$637 |
| FLD-X320 | A-410 | \$795 |
| FLD-X360-314 | A-410 | \$1,141 |
| FLD-X400-217 | A-410 | \$1,338 |
| FLD-X400-314 | A-410 | \$1,338 |
| FLD-X440-219 | A-410 | \$1,878 |
| FLD-X440-314 | A-410 | \$1,878 |
| FLD-X440-319 | A-410 | \$1,878 |

| Part Number | Page(s) | Price |
|-------------------|---------|---------|
| FLF-IM225-W22 | A-410 | \$620 |
| FLF-IM250 | A-410 | \$765 |
| FLF-IM280-314 | A-410 | \$932 |
| FLF-IM280-316 | A-410 | \$932 |
| FLF-IM315-314-W22 | A-410 | \$1,350 |
| FLF-IM315-319-W22 | A-410 | \$1,350 |
| GH1001 | A-295 | \$470 |
| GH1002 | A-295 | \$470 |
| GH1003 | A-297 | \$470 |
| GH1004 | A-297 | \$460 |
| GH1005 | A-297 | \$460 |
| GH1006 | A-297 | \$460 |
| GH2001 | A-297 | \$651 |
| GH2002 | A-297 | \$651 |
| GH2003 | A-298 | \$651 |
| GH2004 | A-298 | \$656 |
| GH2005 | A-298 | \$663 |
| GH2006 | A-298 | \$663 |
| GH2007 | A-298 | \$663 |
| GH2008 | A-298 | \$653 |
| GH2009 | A-298 | \$653 |
| GH2010 | A-298 | \$653 |
| GH2011 | A-298 | \$667 |
| GH3301 | A-298 | \$581 |
| GH3302 | A-298 | \$581 |
| GH3303 | A-299 | \$581 |
| GH3304 | A-299 | \$581 |
| GH3305 | A-299 | \$581 |
| GL2001 | A-298 | \$656 |
| GL2002 | A-298 | \$667 |
| GL2003 | A-298 | \$658 |
| GL2004 | A-298 | \$658 |
| GPH2005PC2000 | A-354 | \$3,900 |
| GPH2005PC2001 | A-355 | \$4,395 |
| GPH2005QC2000 | A-348 | \$3,650 |
| GPH2005QC2001 | A-353 | \$4,145 |
| GPH2007PC2000 | A-354 | \$4,032 |
| GPH2007PC2001 | A-355 | \$4,527 |
| GPH2007QC2000 | A-348 | \$3,750 |
| GPH2007QC2001 | A-353 | \$4,245 |
| GPH2010PC2000 | A-355 | \$4,243 |
| GPH2010PC2001 | A-356 | \$4,738 |
| GPH2010PC4000 | A-355 | \$3,900 |
| GPH2010PC4001 | A-356 | \$4,395 |
| GPH2010QC2000 | A-353 | \$3,900 |
| GPH2010QC2001 | A-354 | \$4,395 |
| GPH2010QC4000 | A-353 | \$3,650 |
| GPH2010QC4001 | A-354 | \$4,145 |
| GPH2015PC2000 | A-355 | \$4,865 |
| GPH2015PC2001 | A-356 | \$5,360 |
| GPH2015PC4000 | A-355 | \$4,032 |

| Part Number | Page(s) | Price |
|---------------|---------|----------|
| GPH2015PC4001 | A-356 | \$4,527 |
| GPH2015QC2000 | A-353 | \$4,300 |
| GPH2015QC2001 | A-354 | \$4,795 |
| GPH2015QC4000 | A-353 | \$3,750 |
| GPH2015QC4001 | A-354 | \$4,245 |
| GPH2020PC4000 | A-355 | \$4,243 |
| GPH2020PC4001 | A-356 | \$4,738 |
| GPH2020QC4000 | A-353 | \$3,900 |
| GPH2020QC4001 | A-354 | \$4,395 |
| GPH2025PC2000 | A-355 | \$5,412 |
| GPH2025PC2001 | A-356 | \$5,907 |
| GPH2025QC2000 | A-353 | \$4,800 |
| GPH2025QC2001 | A-354 | \$5,295 |
| GPH2030PC2000 | A-355 | \$6,585 |
| GPH2030PC2001 | A-356 | \$7,080 |
| GPH2030PC4000 | A-355 | \$4,865 |
| GPH2030PC4001 | A-356 | \$5,360 |
| GPH2030QC2000 | A-353 | \$5,800 |
| GPH2030QC2001 | A-354 | \$6,295 |
| GPH2030QC4000 | A-353 | \$4,300 |
| GPH2030QC4001 | A-354 | \$4,795 |
| GPH2050PC2000 | A-355 | \$8,260 |
| GPH2050PC2001 | A-356 | \$8,755 |
| GPH2050PC4000 | A-355 | \$5,412 |
| GPH2050PC4001 | A-356 | \$5,907 |
| GPH2050QC2000 | A-353 | \$6,990 |
| GPH2050QC2001 | A-354 | \$7,485 |
| GPH2050QC4000 | A-353 | \$4,800 |
| GPH2050QC4001 | A-354 | \$5,295 |
| GPH2060PC2000 | A-355 | \$9,013 |
| GPH2060PC2001 | A-356 | \$9,508 |
| GPH2060QC2000 | A-353 | \$7,500 |
| GPH2060QC2001 | A-354 | \$7,995 |
| GPH2075PC2000 | A-355 | \$10,350 |
| GPH2075PC2001 | A-356 | \$10,845 |
| GPH2075PC4000 | A-355 | \$6,585 |
| GPH2075PC4001 | A-356 | \$7,080 |
| GPH2075QC2000 | A-353 | \$8,450 |
| GPH2075QC2001 | A-354 | \$8,945 |
| GPH2075QC4000 | A-353 | \$5,800 |
| GPH2075QC4001 | A-354 | \$6,295 |
| GPH2100PC2000 | A-355 | \$12,965 |
| GPH2100PC2001 | A-356 | \$13,460 |
| GPH2100PC4000 | A-355 | \$8,260 |
| GPH2100PC4001 | A-356 | \$8,755 |
| GPH2100QC2000 | A-353 | \$10,700 |
| GPH2100QC2001 | A-354 | \$11,195 |
| GPH2100QC4000 | A-353 | \$6,990 |
| GPH2100QC4001 | A-354 | \$7,485 |
| GPH2125PC2000 | A-355 | \$14,847 |
| GPH2125PC2001 | A-356 | \$15,342 |

| Part Number | Page(s) | Price |
|-----------------|----------------------------|----------|
| GPH2125PC4000 | A-355 | \$9,013 |
| GPH2125PC4001 | A-356 | \$9,508 |
| GPH2125QC2000 | A-353 | \$11,880 |
| GPH2125QC2001 | A-354 | \$12,375 |
| GPH2125QC4000 | A-353 | \$7,500 |
| GPH2125QC4001 | A-354 | \$7,995 |
| GPH2150PC2000 | A-355 | \$15,706 |
| GPH2150PC2001 | A-356 | \$16,201 |
| GPH2150PC4000 | A-355 | \$10,350 |
| GPH2150PC4001 | A-356 | \$10,845 |
| GPH2150QC2000 | A-353 | \$12,700 |
| GPH2150QC2001 | A-354 | \$13,195 |
| GPH2150QC4000 | A-353 | \$8,450 |
| GPH2150QC4001 | A-354 | \$8,945 |
| GPH2175PC2000 | A-355 | \$21,075 |
| GPH2175PC2001 | A-356 | \$21,570 |
| GPH2175QC2000 | A-353 | \$14,500 |
| GPH2175QC2001 | A-354 | \$14,995 |
| GPH2200PC4000 | A-355 | \$12,965 |
| GPH2200PC4001 | A-356 | \$13,460 |
| GPH2200QC4000 | A-353 | \$10,700 |
| GPH2200QC4001 | A-354 | \$11,195 |
| GPH2250PC4000 | A-355 | \$14,847 |
| GPH2250PC4001 | A-356 | \$15,342 |
| GPH2250QC4000 | A-353 | \$11,880 |
| GPH2250QC4001 | A-354 | \$12,375 |
| GPH2300PC4000 | A-355 | \$15,706 |
| GPH2300PC4001 | A-356 | \$16,201 |
| GPH2300QC4000 | A-353 | \$12,700 |
| GPH2300QC4001 | A-354 | \$13,195 |
| GPH2350PC4000 | A-355 | \$21,075 |
| GPH2350PC4001 | A-356 | \$21,570 |
| GPH2350QC4000 | A-353 | \$14,500 |
| GPH2350QC4001 | A-354 | \$14,995 |
| H311007110 | A-129; A-131 | \$4,953 |
| H311007111 | A-129; A-131 | \$4,210 |
| H311007112 | A-130; A-132 | \$4,924 |
| H311007113 | A-130; A-132 | \$4,155 |
| HMI-01 | A-394 | \$320 |
| HMI-02 | A-330 | \$320 |
| HMI-03 | A-330 | \$320 |
| HMI-CFW08-RS | A-143; A-322; A-330; A-336 | \$135 |
| HMI-01 | A-330 | \$54 |
| IHM-CAB-RS-10M | A-330 | \$102 |
| IHM-CAB-RS-1M | A-330 | \$54 |
| IHM-CAB-RS-2M | A-330 | \$60 |
| IHM-CAB-RS-3M | A-330 | \$66 |
| IHM-CAB-RS-5M | A-330 | \$75 |
| IHM-CAB-RS-7.5M | A-330 | \$90 |
| IOE-04 | A-394 | \$2,795 |
| KAC-120-CFW08 | A-143; A-322; A-330; A-336 | \$145 |

| Part Number | Page(s) | Price |
|----------------|--------------|---------|
| KCS-CFW08 | A-143; A-336 | \$97 |
| KDC-24V-CFW08 | A-143; A-336 | \$177 |
| KDC-24VR-CFW08 | A-143; A-336 | \$211 |
| KESWFP | A-364 | \$80 |
| KESWHP | A-364 | \$80 |
| KESWPE | A-365 | \$80 |
| KESWPP | A-365 | \$25 |
| KESWPS | A-365 | \$80 |
| KIP21D-01 | A-330 | \$120 |
| KN1A-02 | A-330 | \$125 |
| KN1B-02 | A-330 | \$125 |
| KN1C-02 | A-330 | \$142 |
| KN1E-01 | A-330 | \$78 |
| KN1E-02 | A-330 | \$213 |
| KRS-485-CFW08 | A-143; A-336 | \$186 |
| KSD-CFW08 | A-143; A-336 | \$124 |
| LRW002G3N1 | A-330 | \$387 |
| LRW004G3N1 | A-330 | \$394 |
| LRW008G3N1 | A-332 | \$415 |
| LRW012D3N1 | A-332 | \$436 |
| LRW012G3N1 | A-332 | \$452 |
| LRW018D3N1 | A-332 | \$512 |
| LRW018G3N1 | A-332 | \$519 |
| LRW025D3N1 | A-332 | \$590 |
| LRW025G3N1 | A-332 | \$601 |
| LRW035D3N1 | A-332 | \$634 |
| LRW035G3N1 | A-332 | \$715 |
| LRW045D3N1 | A-332 | \$756 |
| LRW045G3N1 | A-332 | \$841 |
| LRW055D3N1 | A-332 | \$890 |
| LRW055G3N1 | A-332 | \$987 |
| LRW080D3N1 | A-332 | \$905 |
| LRW080G3N1 | A-332 | \$1,179 |
| LRW100G3N1 | A-332 | \$9,788 |
| LRW100D3N1 | A-332 | \$1,086 |
| LRW100G3N1 | A-332 | \$1,450 |
| LRW130D3N1 | A-332 | \$1,175 |
| LRW130G3N1 | A-332 | \$1,750 |
| LRW160D3N1 | A-332 | \$1,424 |
| LRW160G3N1 | A-332 | \$2,060 |
| LRW200D3N1 | A-332 | \$1,488 |
| LRW200G3N1 | A-332 | \$2,400 |
| LRW250G3N1 | A-332 | \$2,990 |
| LRW320G3N1 | A-332 | \$3,700 |
| LRW400G3N1 | A-332 | \$4,962 |
| LRW500G3N1 | A-332 | \$6,446 |
| LRW600G3N1 | A-332 | \$7,950 |
| MH1601 | A-293 | \$258 |
| MH4301 | A-293 | \$337 |
| MH4401 | A-295 | \$344 |
| MIS-CFW08-RS | A-143; A-336 | \$64 |

| Part Number | Page(s) | Price |
|----------------------|--------------|---------|
| M19W-02 | A-143; A-336 | \$221 |
| ML1601 | A-295 | \$228 |
| ML4301 | A-295 | \$351 |
| ML4401 | A-295 | \$372 |
| MMF-01 | A-394 | \$71 |
| MMF-02 | A-330 | \$71 |
| Motor-Scan | A-286; A-393 | \$370 |
| Motor-Scan-Gateway | A-286; A-393 | \$1,800 |
| MT-031 | A-158 | \$516 |
| MT-032 | A-158 | \$644 |
| MT-033 | A-162; A-294 | \$563 |
| MT-034 | A-162; A-294 | \$930 |
| MT-035 | A-162; A-294 | \$791 |
| MT-037 | A-162; A-294 | \$930 |
| MT-038 | A-162; A-294 | \$1,151 |
| MT-039 | A-162; A-294 | \$2,093 |
| MT-040 | A-162; A-294 | \$2,930 |
| MT-041 | A-162; A-294 | \$516 |
| MT-042 | A-162; A-294 | \$563 |
| MT-043 | A-162; A-294 | \$644 |
| MT-044 | A-162; A-294 | \$791 |
| MT-145BS | A-292 | \$41 |
| MT-56BS | A-292 | \$34 |
| MT-75BS | A-293 | \$34 |
| NDE-E360T-314-I-W22 | A-418 | \$2,150 |
| NDE-E400T-314-I-W22 | A-418 | \$2,150 |
| NDE-E440T-314-I-W22 | A-418 | \$2,592 |
| NDE-E440T-316-I-W22 | A-418 | \$2,592 |
| NDE-E440T-319-I-W22 | A-418 | \$2,592 |
| NDE-E580-314-I-W22 | A-418 | \$3,371 |
| NDE-E580-319-I-W22 | A-418 | \$3,371 |
| NDE-EL440T-314-I-W22 | A-418 | \$3,220 |
| NDE-EL440T-319-I-W22 | A-418 | \$3,220 |
| PCJ105H | A-195 | \$236 |
| PCJ107 | A-197 | \$236 |
| PCJ107H | A-195 | \$263 |
| PCJ110 | A-197 | \$263 |
| PCJ110H | A-197 | \$300 |
| PCJ115 | A-198 | \$300 |
| PCJ115H | A-197 | \$400 |
| PCJ120 | A-198 | \$400 |
| PCJ120H | A-197 | \$486 |
| PCJ125 | A-198 | \$486 |
| PCQ103H | A-197 | \$231 |
| PCQ105 | A-198 | \$231 |
| PCQ105H | A-197 | \$241 |
| PCQ107 | A-198 | \$241 |
| PCQ107H | A-197 | \$275 |
| PCQ110 | A-198 | \$275 |
| PCQ110H | A-197 | \$320 |
| PCQ115 | A-198 | \$320 |

| Part Number | Page(s) | Price |
|-------------------|---------|---------|
| PCQ115H | A-197 | \$411 |
| PCQ120 | A-198 | \$411 |
| PCQ120H | A-197 | \$500 |
| PCQ125 | A-198 | \$500 |
| PCSA-01 | A-330 | \$48 |
| PCSB-01 | A-330 | \$51 |
| PCSC-01 | A-330 | \$54 |
| PCSD-01 | A-330 | \$56 |
| PCSE-01 | A-330 | \$76 |
| PESW-105V18EX-R44 | A-368 | \$1,184 |
| PESW-105V18EX-R45 | A-368 | \$1,184 |
| PESW-105V24EX-R44 | A-369 | \$1,184 |
| PESW-105V24EX-R45 | A-369 | \$1,184 |
| PESW-105V47EX-R44 | A-369 | \$1,184 |
| PESW-105V47EX-R45 | A-369 | \$1,184 |
| PESW-40V18EX-R35 | A-369 | \$321 |
| PESW-40V24EX-R35 | A-369 | \$321 |
| PESW-40V47EX-R35 | A-369 | \$321 |
| PESW-50V18EX-R38 | A-369 | \$564 |
| PESW-50V24EX-R38 | A-369 | \$564 |
| PESW-50V47EX-R38 | A-369 | \$564 |
| PESW-65V18EX-R39 | A-369 | \$589 |
| PESW-65V24EX-R39 | A-369 | \$589 |
| PESW-65V47EX-R39 | A-369 | \$589 |
| PESW-80V18EX-R41 | A-369 | \$635 |
| PESW-80V24EX-R41 | A-369 | \$635 |
| PESW-80V47EX-R41 | A-369 | \$635 |
| PESW-95V18EX-R43 | A-369 | \$1,085 |
| PESW-95V24EX-R43 | A-369 | \$1,085 |
| PESW-95V47EX-R43 | A-369 | \$1,085 |
| PESW-B12D15AX-R64 | A-365 | \$227 |
| PESW-B12D15EX-R64 | A-365 | \$174 |
| PESW-B12D39AX-R64 | A-368 | \$227 |
| PESW-B12D39EX-R64 | A-368 | \$174 |
| PESW-B12V24AX-R64 | A-368 | \$227 |
| PESW-B12V24EX-R64 | A-368 | \$174 |
| PESW-B18D15AX-R66 | A-368 | \$241 |
| PESW-B18D15EX-R66 | A-368 | \$188 |
| PESW-B18D39AX-R66 | A-368 | \$241 |
| PESW-B18D39EX-R66 | A-368 | \$188 |
| PESW-B18V24AX-R66 | A-368 | \$241 |
| PESW-B18V24EX-R66 | A-368 | \$188 |
| PESW-B25D15AX-R67 | A-368 | \$276 |
| PESW-B25D15EX-R67 | A-368 | \$223 |
| PESW-B25D39AX-R67 | A-368 | \$276 |
| PESW-B25D39EX-R67 | A-368 | \$223 |
| PESW-B25V24AX-R67 | A-368 | \$276 |
| PESW-B25V24EX-R67 | A-368 | \$223 |
| PESW-B32D15AX-R68 | A-368 | \$298 |
| PESW-B32D15EX-R68 | A-368 | \$262 |
| PESW-B32D39AX-R68 | A-368 | \$298 |

| Part Number | Page(s) | Price |
|-------------------|---------|-------|
| PESW-B32D39EX-R68 | A-368 | \$262 |
| PESW-B32V24AX-R68 | A-368 | \$298 |
| PESW-B32V24EX-R68 | A-368 | \$262 |
| PESW-B38D15AX-R69 | A-368 | \$345 |
| PESW-B38D15EX-R69 | A-368 | \$321 |
| PESW-B38D39AX-R69 | A-368 | \$345 |
| PESW-B38D39EX-R69 | A-368 | \$321 |
| PESW-B38V24AX-R69 | A-368 | \$345 |
| PESW-B38V24EX-R69 | A-368 | \$321 |
| PESW-B9D15AX-R57 | A-368 | \$210 |
| PESW-B9D15AX-R58 | A-368 | \$210 |
| PESW-B9D15AX-R59 | A-368 | \$210 |
| PESW-B9D15AX-R60 | A-368 | \$210 |
| PESW-B9D15AX-R61 | A-368 | \$210 |
| PESW-B9D15AX-R62 | A-368 | \$210 |
| PESW-B9D15AX-R63 | A-368 | \$210 |
| PESW-B9D15EX-R57 | A-368 | \$157 |
| PESW-B9D15EX-R58 | A-368 | \$157 |
| PESW-B9D15EX-R59 | A-368 | \$157 |
| PESW-B9D15EX-R60 | A-368 | \$157 |
| PESW-B9D15EX-R61 | A-368 | \$157 |
| PESW-B9D15EX-R62 | A-368 | \$157 |
| PESW-B9D15EX-R63 | A-368 | \$157 |
| PESW-B9D39AX-R57 | A-368 | \$210 |
| PESW-B9D39AX-R58 | A-368 | \$210 |
| PESW-B9D39AX-R59 | A-368 | \$210 |
| PESW-B9D39AX-R60 | A-368 | \$210 |
| PESW-B9D39AX-R61 | A-368 | \$210 |
| PESW-B9D39AX-R62 | A-368 | \$210 |
| PESW-B9D39AX-R63 | A-368 | \$210 |
| PESW-B9D39EX-R57 | A-368 | \$157 |
| PESW-B9D39EX-R58 | A-368 | \$157 |
| PESW-B9D39EX-R59 | A-368 | \$157 |
| PESW-B9D39EX-R60 | A-368 | \$157 |
| PESW-B9D39EX-R61 | A-368 | \$157 |
| PESW-B9D39EX-R62 | A-368 | \$157 |
| PESW-B9D39EX-R63 | A-368 | \$157 |
| PESW-B9V24AX-R57 | A-368 | \$210 |
| PESW-B9V24AX-R58 | A-368 | \$210 |
| PESW-B9V24AX-R59 | A-368 | \$210 |
| PESW-B9V24AX-R60 | A-368 | \$210 |
| PESW-B9V24AX-R61 | A-368 | \$210 |
| PESW-B9V24AX-R62 | A-368 | \$210 |
| PESW-B9V24EX-R57 | A-368 | \$157 |
| PESW-B9V24EX-R58 | A-368 | \$157 |
| PESW-B9V24EX-R59 | A-368 | \$157 |
| PESW-B9V24EX-R60 | A-368 | \$157 |
| PESW-B9V24EX-R61 | A-368 | \$157 |
| PESW-B9V24EX-R62 | A-368 | \$157 |
| PESW-B9V24EX-R63 | A-368 | \$157 |

| Part Number | Page(s) | Price |
|---------------------|---------|---------|
| PESWS-40V18AX-RM35 | A-369 | \$300 |
| PESWS-40V18EX-RM35 | A-370 | \$274 |
| PESWS-40V24AX-RM35 | A-370 | \$300 |
| PESWS-40V24EX-RM35 | A-370 | \$274 |
| PESWS-50V18AX-RM38 | A-370 | \$440 |
| PESWS-50V18EX-RM38 | A-370 | \$430 |
| PESWS-50V24AX-RM38 | A-370 | \$440 |
| PESWS-50V24EX-RM38 | A-370 | \$430 |
| PESWS-B12D15AX-RM64 | A-370 | \$155 |
| PESWS-B12D15EX-RM64 | A-370 | \$140 |
| PESWS-B12V24AX-RM64 | A-370 | \$155 |
| PESWS-B12V24EX-RM64 | A-370 | \$140 |
| PESWS-B18D15AX-RM65 | A-370 | \$170 |
| PESWS-B18D15AX-RM66 | A-370 | \$182 |
| PESWS-B18D15EX-RM65 | A-370 | \$161 |
| PESWS-B18D15EX-RM66 | A-370 | \$170 |
| PESWS-B18V24AX-RM65 | A-370 | \$170 |
| PESWS-B18V24AX-RM66 | A-370 | \$182 |
| PESWS-B18V24EX-RM65 | A-370 | \$161 |
| PESWS-B18V24EX-RM66 | A-370 | \$170 |
| PESWS-B25D15AX-RM67 | A-370 | \$195 |
| PESWS-B25D15EX-RM67 | A-370 | \$180 |
| PESWS-B25V24AX-RM67 | A-370 | \$195 |
| PESWS-B25V24EX-RM67 | A-370 | \$180 |
| PESWS-B32D15AX-RM68 | A-370 | \$195 |
| PESWS-B32D15EX-RM68 | A-370 | \$180 |
| PESWS-B32V24AX-RM68 | A-370 | \$195 |
| PESWS-B32V24EX-RM68 | A-370 | \$180 |
| PESWS-B38D15AX-RM69 | A-370 | \$300 |
| PESWS-B38D15EX-RM69 | A-370 | \$274 |
| PESWS-B38V24AX-RM69 | A-370 | \$300 |
| PESWS-B38V24EX-RM69 | A-370 | \$274 |
| PESWS-B9D15AX-RM60 | A-370 | \$155 |
| PESWS-B9D15AX-RM61 | A-370 | \$155 |
| PESWS-B9D15AX-RM62 | A-370 | \$155 |
| PESWS-B9D15AX-RM63 | A-370 | \$155 |
| PESWS-B9D15EX-RM60 | A-370 | \$140 |
| PESWS-B9D15EX-RM61 | A-370 | \$140 |
| PESWS-B9D15EX-RM62 | A-370 | \$140 |
| PESWS-B9D15EX-RM63 | A-370 | \$140 |
| PESWS-B9V24AX-RM60 | A-370 | \$155 |
| PESWS-B9V24AX-RM61 | A-370 | \$155 |
| PESWS-B9V24AX-RM62 | A-370 | \$155 |
| PESWS-B9V24AX-RM63 | A-370 | \$155 |
| PESWS-B9V24EX-RM60 | A-370 | \$140 |
| PESWS-B9V24EX-RM61 | A-370 | \$140 |
| PESWS-B9V24EX-RM62 | A-370 | \$140 |
| PESWS-B9V24EX-RM63 | A-370 | \$140 |
| PM-10 | A-291 | \$1,950 |
| PM-20 | A-291 | \$2,025 |
| PROFDP-05 | A-394 | \$1,100 |

| Part Number | Page(s) | Price |
|-------------------|--------------|----------|
| PROFIBUS DP-01 | A-330 | \$520 |
| REC-BM220V | A-415 | \$148 |
| REC-BM440V | A-415 | \$148 |
| REC-BM575V | A-415 | \$148 |
| RHMIF-01 | A-394 | \$69 |
| RHMIF-02 | A-330 | \$69 |
| RHMIF-03 | A-330 | \$69 |
| RS232-01 | A-394 | \$180 |
| RS232-02 | A-394 | \$180 |
| RS232-05 | A-394 | \$290 |
| RS485-01 | A-394 | \$240 |
| RS485-05 | A-394 | \$360 |
| SMB-143T | A-418 | \$73 |
| SMB-145T | A-419 | \$73 |
| SMB-182T | A-419 | \$87 |
| SMB-182TA2 | A-419 | \$120 |
| SMB-184T | A-419 | \$87 |
| SMB-184TA2 | A-419 | \$120 |
| SMB-213T | A-419 | \$118 |
| SMB-215T | A-419 | \$118 |
| SMB-254T | A-419 | \$220 |
| SMB-256T | A-419 | \$220 |
| SMB-284T | A-419 | \$240 |
| SMB-286T | A-419 | \$240 |
| SMB-324T | A-419 | \$321 |
| SMB-326T | A-419 | \$321 |
| SMB-364T | A-419 | \$410 |
| SMB-365T | A-419 | \$410 |
| SMB-404T | A-419 | \$600 |
| SMB-405T | A-419 | \$600 |
| SMB-444T | A-419 | \$746 |
| SMB-445T | A-419 | \$746 |
| SMB-447T | A-419 | \$1,023 |
| SMB-449T | A-419 | \$1,023 |
| SMB-504 | A-419 | \$1,422 |
| SMB-505 | A-419 | \$1,422 |
| SMB-580 | A-419 | \$3,504 |
| SRMP D51 | A-385 | \$56 |
| SRMP D59 | A-385 | \$56 |
| SRMP D65 | A-385 | \$56 |
| SSW7000C100T211N2 | A-275 | \$58,322 |
| SSW7000C100T411N2 | A-275 | \$65,721 |
| SSW7000C120T211N2 | A-286; A-393 | \$58,684 |
| SSW7000C120T411N2 | A-286; A-393 | \$67,347 |
| SSW7000C150T211N2 | A-286; A-393 | \$60,294 |
| SSW7000C150T411N2 | A-286; A-393 | \$68,901 |
| SSW7000C180T211N2 | A-286; A-393 | \$61,749 |
| SSW7000C180T411N2 | A-286; A-393 | \$70,728 |
| SSW7000C210T211N2 | A-286; A-393 | \$62,570 |
| SSW7000C210T411N2 | A-286; A-393 | \$71,560 |
| SSW7000C240T211N2 | A-286; A-393 | \$63,851 |

| Part Number | Page(s) | Price |
|-----------------------|--------------|----------|
| SSW7000C240T411N2 | A-286; A-393 | \$73,235 |
| SSW7000C300T211N2 | A-286; A-393 | \$69,396 |
| SSW7000C300T411N2 | A-286; A-393 | \$80,861 |
| SSW7000C370T211N2 | A-286; A-393 | \$70,960 |
| SSW7000C370T411N2 | A-286; A-393 | \$82,080 |
| SSW7000C430T211N2 | A-286; A-393 | \$73,789 |
| SSW7000C430T411N2 | A-286; A-393 | \$86,656 |
| STUBSHAFT-A-TEFC | A-417 | \$220 |
| STUBSHAFT-B-TEFC | A-417 | \$240 |
| STUBSHAFT-C-TEFC | A-417 | \$240 |
| STUBSHAFT-D-TEFC | A-417 | \$270 |
| TBX-ADPT-360/400- W22 | A-412 | \$660 |
| TBX-ADPT-444/500- W22 | A-413 | \$921 |
| TBX-ADPT-444/5-W22 | A-413 | \$777 |
| TBX-ADPT-580-W22 | A-413 | \$1,273 |
| TBX-ADPT-L440-W22 | A-413 | \$1,080 |
| TBX-BM140-W22 | A-415 | \$135 |
| TBX-BM180/210-W22 | A-415 | \$177 |
| TBX-BM250/280-W22 | A-415 | \$191 |
| TBX-BM320-W22 | A-415 | \$238 |
| TBX-E140-S | A-413 | \$62 |
| TBX-E140-W22 | A-411 | \$71 |
| TBX-E180/210-W22 | A-411 | \$99 |
| TBX-E180-S | A-413 | \$73 |
| TBX-E210-S | A-413 | \$108 |
| TBX-E250/280-W22 | A-412 | \$144 |
| TBX-E250-S | A-413 | \$154 |
| TBX-E320-W22 | A-412 | \$214 |
| TBX-E360/400-3-W22 | A-412 | \$324 |
| TBX-E440-3-W22 | A-412 | \$497 |
| TBX-E447/505-3-W22 | A-412 | \$768 |
| TBX-E48/W56 | A-413 | \$40 |
| TBX-E56-S | A-413 | \$40 |
| TBX-EL447/9-586/7-W2 | A-412 | \$1,686 |
| TCL-CFW08 | A-143; A-336 | \$13 |
| TERMBLCK-W22-112/132 | A-419 | \$52 |
| TERMBLCK-W22-160/180 | A-419 | \$86 |
| TERMBLCK-W22-200 | A-419 | \$151 |
| TERMBLCK-W22-225/250 | A-419 | \$280 |
| TERMBLCK-W22-280 | A-419 | \$533 |
| TERMBLCK-W22-315S/M | A-419 | \$533 |
| TERMBLCK-W22-355M/L | A-419 | \$1,032 |
| TERMBLCK-W22-63-100 | A-419 | \$35 |
| TQ1310D56SP | A-299 | \$515 |
| TQ1310H56SP | A-299 | \$538 |
| TQ1310L56SP | A-302 | \$509 |
| TQ1310R56SP | A-302 | \$509 |
| TQ1315D56SP | A-302 | \$515 |
| TQ1315H56SP | A-302 | \$538 |
| TQ1315L56SP | A-303 | \$509 |
| TQ1315R56SP | A-303 | \$509 |

| Part Number | Page(s) | Price |
|--------------|---------|-------|
| TQ1320D56SP | A-303 | \$515 |
| TQ1320H56SP | A-303 | \$538 |
| TQ1320L56SP | A-303 | \$509 |
| TQ1320R56SP | A-303 | \$509 |
| TQ1330D56SP | A-303 | \$515 |
| TQ1330H56SP | A-303 | \$538 |
| TQ1330L56SP | A-304 | \$509 |
| TQ1330R56SP | A-304 | \$509 |
| TQ1340D56SP | A-304 | \$515 |
| TQ1340H56SP | A-304 | \$538 |
| TQ1340L56SP | A-304 | \$509 |
| TQ1340R56SP | A-304 | \$509 |
| TQ1350D56SP | A-304 | \$515 |
| TQ1350H56SP | A-304 | \$538 |
| TQ1350L56SP | A-305 | \$509 |
| TQ1350R56SP | A-305 | \$509 |
| TQ135D56SP | A-302 | \$515 |
| TQ135H56SP | A-302 | \$538 |
| TQ135L56SP | A-302 | \$509 |
| TQ135R56SP | A-302 | \$509 |
| TQ1360D56SP | A-305 | \$470 |
| TQ1360H56SP | A-305 | \$507 |
| TQ1360L56SP | A-305 | \$457 |
| TQ1360R56SP | A-305 | \$457 |
| TQ1510D140SP | A-302 | \$569 |
| TQ1510H140SP | A-302 | \$593 |
| TQ1510L140SP | A-302 | \$558 |
| TQ1510R140SP | A-302 | \$558 |
| TQ1515D56SP | A-303 | \$569 |
| TQ1515H56SP | A-303 | \$593 |
| TQ1515L56SP | A-303 | \$558 |
| TQ1515R56SP | A-303 | \$558 |
| TQ1520D56SP | A-303 | \$569 |
| TQ1520H56SP | A-303 | \$593 |
| TQ1520L56SP | A-303 | \$558 |
| TQ1520R56SP | A-303 | \$558 |
| TQ1530D56SP | A-304 | \$569 |
| TQ1530H56SP | A-304 | \$593 |
| TQ1530L56SP | A-304 | \$558 |
| TQ1530R56SP | A-304 | \$558 |
| TQ1540D56SP | A-304 | \$569 |
| TQ1540H56SP | A-304 | \$593 |
| TQ1540L56SP | A-304 | \$558 |
| TQ1540R56SP | A-304 | \$558 |
| TQ1550D56SP | A-305 | \$569 |
| TQ1550H56SP | A-305 | \$593 |
| TQ1550L56SP | A-305 | \$558 |
| TQ1550R56SP | A-305 | \$558 |
| TQ155D140SP | A-302 | \$569 |
| TQ155H140SP | A-302 | \$593 |
| TQ155L140SP | A-302 | \$558 |



| Part Number | Page(s) | Price |
|--------------|---------|-------|
| TQ155R140SP | A-302 | \$558 |
| TQ1560D56SP | A-305 | \$559 |
| TQ1560H56SP | A-305 | \$573 |
| TQ1560L56SP | A-305 | \$533 |
| TQ1560R56SP | A-305 | \$533 |
| TQ1810D140SP | A-302 | \$586 |
| TQ1810H140SP | A-302 | \$643 |
| TQ1810L140SP | A-302 | \$575 |
| TQ1810R140SP | A-302 | \$575 |
| TQ1815D56SP | A-303 | \$586 |
| TQ1815H56SP | A-303 | \$643 |
| TQ1815L56SP | A-303 | \$575 |
| TQ1815R56SP | A-303 | \$575 |
| TQ1820D56SP | A-303 | \$586 |
| TQ1820H56SP | A-303 | \$643 |
| TQ1820L56SP | A-303 | \$575 |
| TQ1820R56SP | A-303 | \$575 |
| TQ1830D56SP | A-304 | \$586 |
| TQ1830H56SP | A-304 | \$643 |
| TQ1830L56SP | A-304 | \$575 |
| TQ1830R56SP | A-304 | \$575 |
| TQ1840D56SP | A-304 | \$586 |
| TQ1840H56SP | A-304 | \$643 |
| TQ1840L56SP | A-304 | \$575 |
| TQ1840R56SP | A-304 | \$575 |
| TQ1850D56SP | A-305 | \$586 |
| TQ1850H56SP | A-305 | \$643 |
| TQ1850L56SP | A-305 | \$575 |
| TQ1850R56SP | A-305 | \$575 |
| TQ185D140SP | A-302 | \$586 |
| TQ185H140SP | A-302 | \$643 |
| TQ185L140SP | A-302 | \$575 |
| TQ185R140SP | A-302 | \$575 |
| TQ1860D56SP | A-305 | \$580 |
| TQ1860H56SP | A-305 | \$619 |
| TQ1860L56SP | A-305 | \$551 |
| TQ1860R56SP | A-305 | \$551 |
| TQ2110D140SP | A-302 | \$600 |
| TQ2110H140SP | A-302 | \$669 |
| TQ2110L140SP | A-302 | \$590 |
| TQ2110R140SP | A-302 | \$590 |
| TQ2115D56SP | A-303 | \$600 |
| TQ2115H56SP | A-303 | \$669 |
| TQ2115L56SP | A-303 | \$590 |
| TQ2115R56SP | A-303 | \$590 |
| TQ2120D56SP | A-303 | \$600 |
| TQ2120H56SP | A-303 | \$669 |
| TQ2120L56SP | A-303 | \$590 |
| TQ2120R56SP | A-303 | \$590 |
| TQ2130D56SP | A-304 | \$600 |
| TQ2130H56SP | A-304 | \$669 |

| Part Number | Page(s) | Price |
|--------------|---------|-------|
| TQ2130L56SP | A-304 | \$590 |
| TQ2130R56SP | A-304 | \$590 |
| TQ2140D56SP | A-304 | \$600 |
| TQ2140H56SP | A-304 | \$669 |
| TQ2140L56SP | A-304 | \$590 |
| TQ2140R56SP | A-304 | \$590 |
| TQ2150D56SP | A-305 | \$600 |
| TQ2150H56SP | A-305 | \$669 |
| TQ2150L56SP | A-305 | \$590 |
| TQ2150R56SP | A-305 | \$590 |
| TQ215D140SP | A-302 | \$600 |
| TQ215H140SP | A-302 | \$669 |
| TQ215L140SP | A-302 | \$590 |
| TQ215R140SP | A-302 | \$590 |
| TQ2160D56SP | A-305 | \$632 |
| TQ2160H56SP | A-305 | \$672 |
| TQ2160L56SP | A-305 | \$585 |
| TQ2160R56SP | A-305 | \$585 |
| TQ2410D140SP | A-302 | \$723 |
| TQ2410H140SP | A-302 | \$805 |
| TQ2410L140SP | A-302 | \$712 |
| TQ2410R140SP | A-302 | \$712 |
| TQ2415D56SP | A-303 | \$723 |
| TQ2415H56SP | A-303 | \$805 |
| TQ2415L56SP | A-303 | \$712 |
| TQ2415R56SP | A-303 | \$712 |
| TQ2420D56SP | A-303 | \$723 |
| TQ2420H56SP | A-303 | \$805 |
| TQ2420L56SP | A-303 | \$712 |
| TQ2420R56SP | A-303 | \$712 |
| TQ2430D56SP | A-304 | \$723 |
| TQ2430H56SP | A-304 | \$805 |
| TQ2430L56SP | A-304 | \$712 |
| TQ2430R56SP | A-304 | \$712 |
| TQ2440D56SP | A-304 | \$723 |
| TQ2440H56SP | A-304 | \$805 |
| TQ2440L56SP | A-304 | \$712 |
| TQ2440R56SP | A-304 | \$712 |
| TQ2450D56SP | A-305 | \$723 |
| TQ2450H56SP | A-305 | \$805 |
| TQ2450L56SP | A-305 | \$712 |
| TQ2450R56SP | A-305 | \$712 |
| TQ245D140SP | A-302 | \$723 |
| TQ245H140SP | A-302 | \$805 |
| TQ245L140SP | A-302 | \$712 |
| TQ245R140SP | A-302 | \$712 |
| TQ2460D56SP | A-305 | \$748 |
| TQ2460H56SP | A-305 | \$816 |
| TQ2460L56SP | A-305 | \$701 |
| TQ2460R56SP | A-305 | \$701 |
| TQ2610D140SP | A-302 | \$904 |

| Part Number | Page(s) | Price |
|--------------|---------|-------|
| TQ2610H140SP | A-302 | \$990 |
| TQ2610L140SP | A-302 | \$876 |
| TQ2610R140SP | A-302 | \$876 |
| TQ2615D56SP | A-303 | \$904 |
| TQ2615H56SP | A-303 | \$990 |
| TQ2615L56SP | A-303 | \$876 |
| TQ2615R56SP | A-303 | \$876 |
| TQ2620D56SP | A-303 | \$904 |
| TQ2620H56SP | A-303 | \$990 |
| TQ2620L56SP | A-303 | \$876 |
| TQ2620R56SP | A-303 | \$876 |
| TQ2630D56SP | A-304 | \$904 |
| TQ2630H56SP | A-304 | \$990 |
| TQ2630L56SP | A-304 | \$876 |
| TQ2630R56SP | A-304 | \$876 |
| TQ2640D56SP | A-304 | \$904 |
| TQ2640H56SP | A-304 | \$990 |
| TQ2640L56SP | A-304 | \$876 |
| TQ2640R56SP | A-304 | \$876 |
| TQ2650D56SP | A-305 | \$904 |
| TQ2650H56SP | A-305 | \$990 |
| TQ2650L56SP | A-305 | \$876 |
| TQ2650R56SP | A-305 | \$876 |
| TQ265D140SP | A-302 | \$904 |
| TQ265H140SP | A-302 | \$990 |
| TQ265L140SP | A-302 | \$876 |
| TQ265R140SP | A-302 | \$876 |
| TQ2660D56SP | A-305 | \$918 |
| TQ2660H56SP | A-305 | \$983 |
| TQ2660L56SP | A-305 | \$868 |
| TQ2660R56SP | A-305 | \$868 |
| TS1310DSP | A-305 | \$470 |
| TS1310HSP | A-305 | \$507 |
| TS1310LSP | A-306 | \$457 |
| TS1310RSP | A-306 | \$457 |
| TS1315DSP | A-306 | \$470 |
| TS1315HSP | A-306 | \$507 |
| TS1315LSP | A-307 | \$457 |
| TS1315RSP | A-307 | \$457 |
| TS1320DSP | A-307 | \$470 |
| TS1320HSP | A-307 | \$507 |
| TS1320LSP | A-307 | \$457 |
| TS1320RSP | A-307 | \$457 |
| TS1330DSP | A-307 | \$470 |
| TS1330HSP | A-307 | \$507 |
| TS1330LSP | A-308 | \$457 |
| TS1330RSP | A-308 | \$457 |
| TS1340DSP | A-308 | \$470 |
| TS1340HSP | A-308 | \$507 |
| TS1340LSP | A-308 | \$457 |
| TS1340RSP | A-308 | \$457 |

| Part Number | Page(s) | Price |
|-------------|---------|-------|
| TS1350DSP | A-308 | \$470 |
| TS1350HSP | A-308 | \$507 |
| TS1350LSP | A-309 | \$457 |
| TS1350RSP | A-309 | \$457 |
| TS135DSP | A-306 | \$470 |
| TS135HSP | A-306 | \$507 |
| TS135LSP | A-306 | \$457 |
| TS135RSP | A-306 | \$457 |
| TS1360DSP | A-309 | \$470 |
| TS1360HSP | A-309 | \$507 |
| TS1360LSP | A-309 | \$457 |
| TS1360RSP | A-309 | \$457 |
| TS1510DSP | A-306 | \$559 |
| TS1510HSP | A-306 | \$573 |
| TS1510LSP | A-306 | \$533 |
| TS1510RSP | A-306 | \$533 |
| TS1515DSP | A-307 | \$559 |
| TS1515HSP | A-307 | \$573 |
| TS1515LSP | A-307 | \$533 |
| TS1515RSP | A-307 | \$533 |
| TS1520DSP | A-307 | \$559 |
| TS1520HSP | A-307 | \$573 |
| TS1520LSP | A-307 | \$533 |
| TS1520RSP | A-307 | \$533 |
| TS1530DSP | A-308 | \$559 |
| TS1530HSP | A-308 | \$573 |
| TS1530LSP | A-308 | \$533 |
| TS1530RSP | A-308 | \$533 |
| TS1540DSP | A-308 | \$559 |
| TS1540HSP | A-308 | \$573 |
| TS1540LSP | A-308 | \$533 |
| TS1540RSP | A-308 | \$533 |
| TS1550DSP | A-309 | \$559 |
| TS1550HSP | A-309 | \$573 |
| TS1550LSP | A-309 | \$533 |
| TS1550RSP | A-309 | \$533 |
| TS155DSP | A-306 | \$559 |
| TS155HSP | A-306 | \$573 |
| TS155LSP | A-306 | \$533 |
| TS155RSP | A-306 | \$533 |
| TS1560DSP | A-309 | \$559 |
| TS1560HSP | A-309 | \$573 |
| TS1560LSP | A-309 | \$533 |
| TS1560RSP | A-309 | \$533 |
| TS1810DSP | A-306 | \$580 |
| TS1810HSP | A-306 | \$619 |
| TS1810LSP | A-306 | \$551 |
| TS1810RSP | A-306 | \$551 |
| TS1815DSP | A-307 | \$580 |
| TS1815HSP | A-307 | \$619 |
| TS1815LSP | A-307 | \$551 |



| Part Number | Page(s) | Price |
|-------------|---------|-------|
| TS1815RSP | A-307 | \$551 |
| TS1820DSP | A-307 | \$580 |
| TS1820HSP | A-307 | \$619 |
| TS1820LSP | A-307 | \$551 |
| TS1820RSP | A-307 | \$551 |
| TS1830DSP | A-308 | \$580 |
| TS1830HSP | A-308 | \$619 |
| TS1830LSP | A-308 | \$551 |
| TS1830RSP | A-308 | \$551 |
| TS1840DSP | A-308 | \$580 |
| TS1840HSP | A-308 | \$619 |
| TS1840LSP | A-308 | \$551 |
| TS1840RSP | A-308 | \$551 |
| TS1850DSP | A-309 | \$580 |
| TS1850HSP | A-309 | \$619 |
| TS1850LSP | A-309 | \$551 |
| TS1850RSP | A-309 | \$551 |
| TS185DSP | A-306 | \$580 |
| TS185HSP | A-306 | \$619 |
| TS185LSP | A-306 | \$551 |
| TS185RSP | A-306 | \$551 |
| TS1860DSP | A-309 | \$580 |
| TS1860HSP | A-309 | \$619 |
| TS1860LSP | A-309 | \$551 |
| TS1860RSP | A-309 | \$551 |
| TS2110DSP | A-306 | \$632 |
| TS2110HSP | A-306 | \$672 |
| TS2110LSP | A-306 | \$585 |
| TS2110RSP | A-306 | \$585 |
| TS2115DSP | A-307 | \$632 |
| TS2115HSP | A-307 | \$672 |
| TS2115LSP | A-307 | \$585 |
| TS2115RSP | A-307 | \$585 |
| TS2120DSP | A-307 | \$632 |
| TS2120HSP | A-307 | \$672 |
| TS2120LSP | A-307 | \$585 |
| TS2120RSP | A-307 | \$585 |
| TS2130DSP | A-308 | \$632 |
| TS2130HSP | A-308 | \$672 |
| TS2130LSP | A-308 | \$585 |
| TS2130RSP | A-308 | \$585 |
| TS2140DSP | A-308 | \$632 |
| TS2140HSP | A-308 | \$672 |
| TS2140LSP | A-308 | \$585 |
| TS2140RSP | A-308 | \$585 |
| TS2150DSP | A-309 | \$632 |
| TS2150HSP | A-309 | \$672 |
| TS2150LSP | A-309 | \$585 |
| TS2150RSP | A-309 | \$585 |
| TS215DSP | A-306 | \$632 |
| TS215HSP | A-306 | \$672 |

| Part Number | Page(s) | Price |
|-------------|---------|-------|
| TS215LSP | A-306 | \$585 |
| TS215RSP | A-306 | \$585 |
| TS2160DSP | A-309 | \$632 |
| TS2160HSP | A-309 | \$672 |
| TS2160LSP | A-309 | \$585 |
| TS2160RSP | A-309 | \$585 |
| TS2410DSP | A-306 | \$748 |
| TS2410HSP | A-306 | \$816 |
| TS2410LSP | A-306 | \$701 |
| TS2410RSP | A-306 | \$701 |
| TS2415DSP | A-307 | \$748 |
| TS2415HSP | A-307 | \$816 |
| TS2415LSP | A-307 | \$701 |
| TS2415RSP | A-307 | \$701 |
| TS2420DSP | A-307 | \$748 |
| TS2420HSP | A-307 | \$816 |
| TS2420LSP | A-307 | \$701 |
| TS2420RSP | A-307 | \$701 |
| TS2430DSP | A-308 | \$748 |
| TS2430HSP | A-308 | \$816 |
| TS2430LSP | A-308 | \$701 |
| TS2430RSP | A-308 | \$701 |
| TS2440DSP | A-308 | \$748 |
| TS2440HSP | A-308 | \$816 |
| TS2440LSP | A-308 | \$701 |
| TS2440RSP | A-308 | \$701 |
| TS2450DSP | A-309 | \$748 |
| TS2450HSP | A-309 | \$816 |
| TS2450LSP | A-309 | \$701 |
| TS2450RSP | A-309 | \$701 |
| TS245DSP | A-306 | \$748 |
| TS245HSP | A-306 | \$816 |
| TS245LSP | A-306 | \$701 |
| TS245RSP | A-306 | \$701 |
| TS2460DSP | A-309 | \$748 |
| TS2460HSP | A-309 | \$816 |
| TS2460LSP | A-309 | \$701 |
| TS2460RSP | A-309 | \$701 |
| TS2610DSP | A-306 | \$918 |
| TS2610HSP | A-306 | \$983 |
| TS2610LSP | A-306 | \$868 |
| TS2610RSP | A-306 | \$868 |
| TS2615DSP | A-307 | \$918 |
| TS2615HSP | A-307 | \$983 |
| TS2615LSP | A-307 | \$868 |
| TS2615RSP | A-307 | \$868 |
| TS2620DSP | A-307 | \$918 |
| TS2620HSP | A-307 | \$983 |
| TS2620LSP | A-307 | \$868 |
| TS2620RSP | A-307 | \$868 |
| TS2630DSP | A-308 | \$918 |

| Part Number | Page(s) | Price |
|---------------------|---------|-------|
| TS2630HSP | A-308 | \$983 |
| TS2630LSP | A-308 | \$868 |
| TS2630RSP | A-308 | \$868 |
| TS2640DSP | A-308 | \$918 |
| TS2640HSP | A-308 | \$983 |
| TS2640LSP | A-308 | \$868 |
| TS2640RSP | A-308 | \$868 |
| TS2650DSP | A-309 | \$918 |
| TS2650HSP | A-309 | \$983 |
| TS2650LSP | A-309 | \$868 |
| TS2650RSP | A-309 | \$868 |
| TS265DSP | A-306 | \$918 |
| TS265HSP | A-306 | \$983 |
| TS265LSP | A-306 | \$868 |
| TS265RSP | A-306 | \$868 |
| TS2660DSP | A-309 | \$918 |
| TS2660HSP | A-309 | \$983 |
| TS2660LSP | A-309 | \$868 |
| TS2660RSP | A-309 | \$868 |
| URMP D02 | A-385 | \$56 |
| URMP V18 | A-385 | \$56 |
| URMP V23 | A-385 | \$56 |
| URMP V30 | A-385 | \$56 |
| URMP V43 MPW100 | A-385 | \$56 |
| URMP V47 | A-385 | \$56 |
| WEG180-USEM | A-418 | \$177 |
| WEG250-280-REL | A-418 | \$181 |
| WEG250-280-USEM | A-418 | \$181 |
| WEG280-SIEM | A-418 | \$181 |
| WEG320-REL | A-418 | \$202 |
| WEG320-SIEM | A-418 | \$202 |
| WEG320-USEM | A-418 | \$202 |
| WEG360-400-REL | A-418 | \$224 |
| WEG360-400-SIEM | A-418 | \$224 |
| WEG360-400-USEM | A-418 | \$224 |
| WEG444/5-REL | A-418 | \$228 |
| WEG444/5-SIEM | A-418 | \$228 |
| WEG445/7-447/9-REL | A-418 | \$263 |
| WEG445/7-447/9-SIEM | A-418 | \$263 |
| WEG445/7-447/9-USEM | A-418 | \$263 |



Quote/Order Request Guidance



WEG's goal is to provide quick and accurate quotes to our customers and to insure orders can be processed accurately.

To assist customers in this process WEG has developed the form below to insure the minimum information required is included on the request, and to guide you where options may also be desired.

The form highlights in **red** the minimum information required to define a motor. Today, this includes destination (Country) to insure we comply with Energy Efficiency and certification regulations, and avoid rejection of the motor at the border.

This interactive form is available on our website (www.weg.net) or by scanning the QR code below. While we do not require use of this form, we encourage customers to be aware of the minimum information required and include it with their requests.

The minimum information required is:

1. Quantity
2. Destination (Country) important to insure compliance with Regulations
3. HP or kW
4. RPM
5. Efficiency level (NEMA Premium®, IE2, IE3...)
6. Enclosure
7. Frame Size (if need specific or IEC Vs NEMA)
8. Phase
9. Hz
10. Voltage
11. Mounting (Foot/Flange/both)
12. Type of flange (if flange, C, D, FF..)
13. Application – Helps understand load type



Scan the QR code above or visit www.weg.net/usmotorquote to download the form.

WEG Electric Corp.
Inquiry Form for AC Low Voltage Motors

| | | |
|---------------------------------|-------------------------------|--------------------------------|
| WEG Division: WEG Motors | Date Entered: 5/4/2017 | Date Required: 5/9/2017 |
| Submitted by: | Customer: | |
| WEG ref.: | Customer ref.: | |
| Project: | Specification: | |

MOTOR DESCRIPTION:

Phase: Three phase **Application:** **Motor Destination:**

Line: **Efficiency:** **Enclosure:** **IEC:**

| Item | Qty | HP | kW | RPM | Frame | Voltage (V) | Freq. (Hz) | Mount | Terminal Box Location (DE) | Type of Flange |
|------|-----|----|----|-----|-------|-------------|------------|-------|----------------------------|----------------|
| 1 | | | | | | | | | | |
| 2 | | | | | | | | | | |
| 3 | | | | | | | | | | |
| 4 | | | | | | | | | | |

* If the motor is for replacement, please include the SN in the nameplate, nameplate picture, drawings, all applicable documentation available.

ELECTRICAL FEATURES:

Insulation class: **Other** Design: **Other**

Temperature rise: **Other** Duty: **Other** Starts/hour: **Other**

Service factor: **Other** Rotation (From DE): **Other** * Load Torque Curve and Inertia reflected to Motor Shaft required for Speed/Hz

Inverter Operation: No Yes Speed range: **Other** Torque: **Other** Insulated DE Enclosed - NDE Brush Insulated NDE Enclosed - DE Brush

MECHANICAL FEATURES:

Protection: **Other** Drive Method: **Other** Planning Plan: **Other**

Frame Material: **Other** Fan Material (TEFC): **Other** Color: **Other**

D.E. Bearings: **Other** Special bearings (DE/NDE): **Other**

ENVIRONMENT FEATURES:

Ambient Temperature: **Other** Altitude: **Other**

Humidity: **Other** Location: **Other**

Hazardous Area: No Yes Zone / Class: **Other** Group: **Other** Temperature class: **Other**

Division: **Other**

LOAD INFORMATION:

Load Torque: **Other** Axial Load: **Other** Application point (x): **Other**

Load Inertia: **Other** Radial Load: **Other** § Distance from shaft shoulder to ball pull center.

ACCESSORIES:

Speed Indicators: Thermal Protection - ALARM: Thermal Protection - SWITCH OFF:

Bearing Protection: Stainless Steel Fasteners: Additional Terminal Box: Internal Anti-Corrosion Epoxy Coating:

SPECIAL FEATURES REQUIRED:

TESTING REQUIRED:

Routine Test (On-addressed) Type Test (On-addressed) Vibration Test (On-addressed) Other

Routine Test (Off-addressed) Type Test (Off-addressed) Noise Level Test (On-addressed)

DOCUMENTATION REQUIRED:

Data Sheet Drawing Performance Curves Other

