

# DATASHEET

## Thermal Overload Relay



### Main Features

Reference	: RW117
Product code	: 10045646
Compatibility	: See note 1
Current range	: 75-97 A

### Basic data

Rated voltage Ue	
- IEC	: 690 V
- UL	: 600 V
- IEC	: 690 V
- UL	: 600 V
Rated impulse withstand voltage Uimp	: 6 kV
Number of poles	: 3 poles
Trip class	: 10
Operation frequency	: 25...400Hz
Suitable for use with DC loads	: Yes
Maximum operating frequency	: 15 ops./h
Resistance to impact (IEC 60068-2-27)	: 10/11 g/ms

### Installation

Degree of protection (IEC 60529)	
- Main terminals	: IP10
- Auxiliary terminals	: IP20

### Main contacts

Rated voltage Ue	
- IEC	: 690 V
- UL	: 600 V
Max. Fuse (type 2 coordination)	: 225gL/gG
Average power dissipation per pole	: 00006

### Auxiliary contacts

Insulation voltage Ui	
- IEC	: 690 V
- UL	: 600 V
Rated operational voltage Ue (acc. to UL)	: 600 V
Rated thermal current Ith ( $\theta = 55^{\circ}\text{C}$ )	: 6 A
Rated current Ie AC-14/AC-15 (IEC 60947-5-1)	
- 24 V	: 4 A
- 60 V	: 3,5 A
- 125 V	: 3 A
- 230 V	: 2 A
- 400 V	: 1,5 A
- 500 V	: 0,5 A
- 690 V	: 0,3 A
Rated current Ie - DC-DC-13/14 (IEC 60947-5-1)	
- 24V	: 1 A
- 60V	: 0,5 A
- 110V	: 0,25 A
- 220V	: 0,1 A
Short circuit protection with fuses (gL/gG)	: 6gL/gG
Rated current Ie - UL, CSA	
- Rated operational current	: C600
- DC Rated operational current	: R300

### Connection

#### Power circuit

Type of screw	: M10 Allen
Terminal capacity:	
Flex (IEC)	: 35 mm <sup>2</sup> ... 35 mm <sup>2</sup>
Conductors with wire/terminal drive (IEC)	: 25 mm <sup>2</sup> ... 35 mm <sup>2</sup>
Wire/cable AWG (UL)	: 8 AWG ... 1 AWG
Tightening torque	
- IEC	: 6 N.m
- UL	: 53 lb.in

#### Auxiliary contacts

Screw type	: M3,5x10 Phillips
Terminal capacity:	
Flex cable (IEC)	: 1 mm <sup>2</sup> .... 2,5 mm <sup>2</sup>

# DATASHEET

## Thermal Overload Relay



Wire/cable AWG (UL) : 16 AWG ... 12 AWG  
Tightening torque : 1,5 N.m  
- IEC : 13 lb.in  
- UL

### Ambient conditions

Temperature  
- Operating : -20 °C (-4 °F) ... +70 °C (158 °F)  
- Temperature for transport and storage : -50 °C (-58 °F) ... +80 °C (176 °F)  
Temperature compensation (IEC 60947-4-1) : -20 °C (-4 °F) ... +60 °C (140 °F)  
Normal conditions : 2000 m (6562 ft)

Current reduction factor:

Altitude (h)	Operational voltage	Current correction factor
$h \leq 2000$ m	690 V	1 x I <sub>n</sub>
$2000$ m < $h \leq 3000$ m	550 V	0,96 x I <sub>n</sub>
$3000$ m < $h \leq 4000$ m	480 V	0,93 x I <sub>n</sub>
$4000$ m < $h \leq 5000$ m	420 V	0,9 x I <sub>n</sub>

### Dimensions

Height : 100 mm / 3.94 in  
Width : 75 mm / 2.95 in  
Depth : 99 mm / 3.9 in  
Gross weight : 0,750 kg / 1.65 lb

### Standards

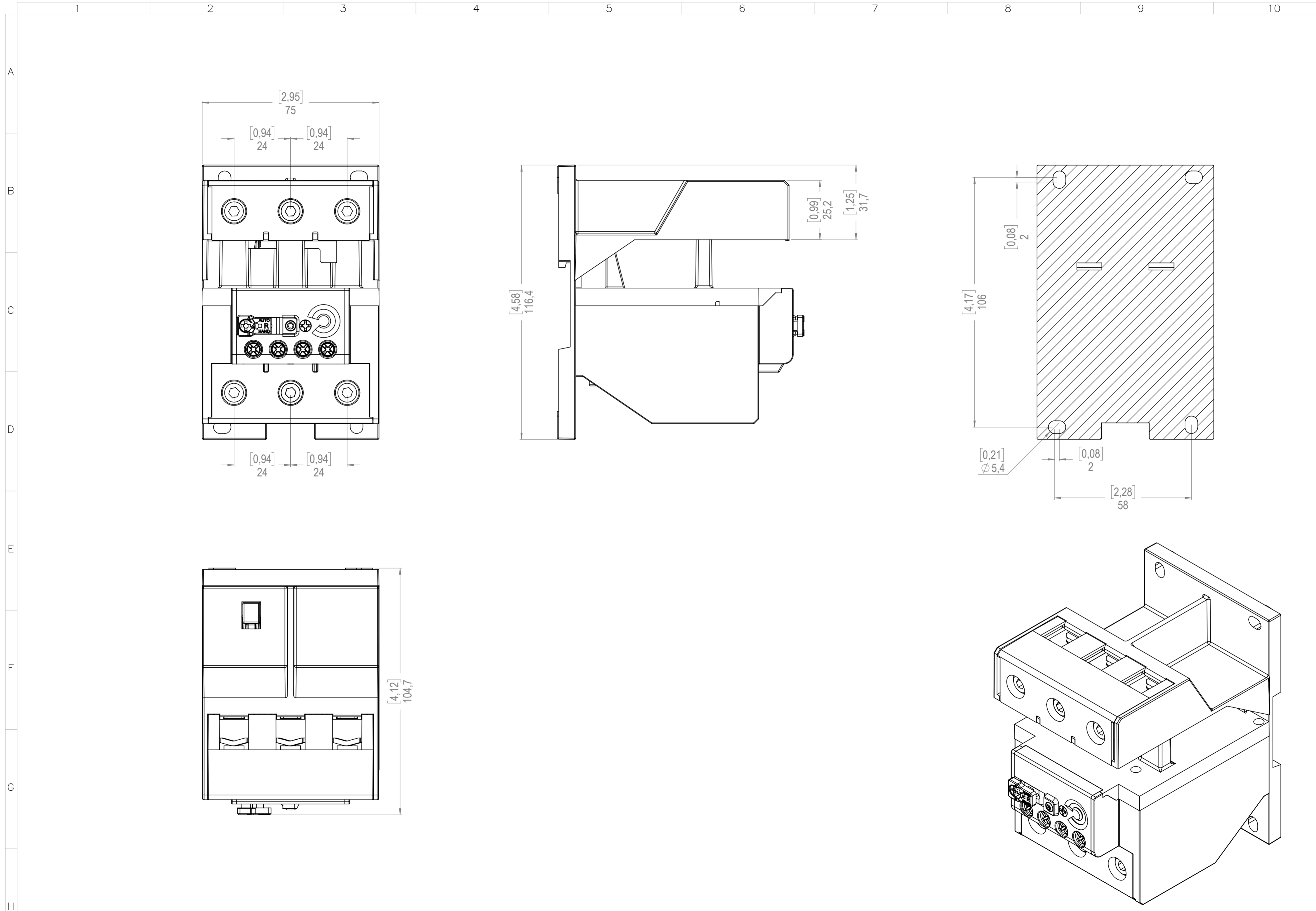
- IEC 60947-4-1  
- CSA C.22.2/14  
- UL 60947-4-1 (UL 508)

### Certifications

- Certification: BUREAU VERITAS  
- Certification: CE  
- Certification: IRAM  
- Certification: UL

### Notes

- 1) Mounting: Direct on the contactor or by screw and rail DIN 35 mm (EN 50022) using accessory;
- 2) Image merely illustrative.



RW117-2D

19/05/2016

1:1

mm [inches]



A2 Sujeito a alteração sem aviso prévio. As informações contidas aqui, valores de referência. The values shown are subject to change without prior notice. The information is for reference only. Los valores demostrados pueden ser cambiados sin aviso previo. La información es de referencia solamente.