

Main Features



Reference	: CWM
Product code	: 10451929
Rated current Ie AC-3 (Ue ≤ 440 V)	: 40 A
Main contacts (power)	: 3 NO
Auxiliary contacts	: 1 NO + 1 NC
Control voltage	: 20V 50Hz/24V 60Hz
Type of terminal	: Screw

Basic data

Rated utilization voltage Ue	
- IEC / UL	: 690 V / 600 V
Isolation voltage Ui (pollution degree 3)	
- IEC / UL	: 1000 V / 600 V
Rated impulse withstand voltage Uimp	: 6 kV
- Frequency limits [1]	: 25 Hz ... 400 Hz
- Mechanical lifespan	
AC-operated contactor	: 10 million
DC-operated contactor	: 10 million
Electrical lifespan - Ie AC3	: 1,2 million
Number of coil terminals (AC Coil)	
AC coil contactors	: 4
- DC coil contactors	: 4
Resistance to vibration (IEC 60068-2-6)	
opened contactor	: 4 g
closed contactor	: 4 g
Resistance to mechanical shock (½ sinusoid = 11ms)	
opened contactor	: 7 g
closed contactor	: 12 g
Installation	: Not available
Degree of protection (IEC 60529)	
Main circuit	: IP10
Control circuit	: IP20

Alternating current - control circuit

Isolation voltage Ui (pollution degree 3)		: 1000 V / 600 V
- IEC / UL		
Standard voltages for 50/60 Hz		: 12...660 V
Command circuit operation limits		
- control circuit 60 Hz	- pick up	: 0,5...0,76xUs
	- drop out	: 0,3...0,65xUs
- control circuit 50 Hz	- pick up	: 0,5...0,76xUs
	- drop out	: 0,3...0,65xUs
- Average coil consumption		
- operating at 60 Hz	- closed magnetic circuit	: 9,5...12,5 VA
	- power factor (cos φ)	: 0,34
	- Thermal power dissipated	: 4,3 W
	- closing the magnetic circuit	: 115 VA
- operating at 50 Hz	- closed magnetic circuit	: 9,5...12,5 VA
	- power factor (cos φ)	: 0,34
	- Thermal power dissipated	: 4,3 W
	- closing the magnetic circuit	: 115 VA
Average time of operation		
- closing the NO contacts		: 10...19 ms
- opening the NO contacts		: 5...25 ms

Direct current - command circuit

- IEC / UL	
Standard voltages	:
Command circuit operation limits	
- pick up	:
- drop out	:
Average consumption	
- closed magnetic circuit	:
- closing the magnetic circuit	:
Thermal power dissipated	:
Average time of operation	
- closing the NO contacts	:
- opening the NO contacts	:

Main contacts (power)

Rated utilization current Ie	
- AC-3 (Ue ≤ 440 V)	: 40 A

DATASHEET

Contactors



- AC-4 (Ue ≤ 440 V)	: 18,5 A
- AC-1 (θ ≤ 55 °C, Ue ≤ 690 V)	: 60 A
Rated utilization voltage Ue	
- IEC / UL	: 690 V / 600 V
Number of main contacts	: 3 NO
Establishment capacity (IEC 60947)	: 550 A
Breaking capacity (IEC/EN 60947)	
- Ue≤400V	: 450 A
- Ue=500V	: 450 A
- Ue=690V	: 205 A
Temporary permissible current (without previously current conduction during 15 min at θ ≤ 40 °C)	
- 1 sec	: 1265 A
- 10 sec	: 400 A
- 10 sec	: 400 A
- 1 min	:
- 10 min	: Not available
Protection against short circuit of the contacts main fuse (gL/gG)	
- @600V - UL/CSA	: 5 kA
- type 1 coordination	: 125 A
- type 2 coordination	: 80 A
Average power dissipated per pole	
AC-1 (θ ≤ 55 °C, Ue ≤ 690 V)	: 4.6 W
AC-3 (Ue ≤ 440 V)	: 1.5 W
Utilization category AC-3	
Rated current Ie (θ ≤ 55 °C)	
- Ue ≤ 440V	: 40 A
- Ue ≤ 500V	: 32 A
- Ue ≤ 690V	: 25 A
Maximum percentage (600 ops./h)	: 100 %

Orientative values of power (IEC)-three-phase induction motors (50/60 Hz)-IV poles-1800 rpm		
Voltage	kW	cv or HP
220 / 240 V	11 kW	15 cv
380 / 400 V	18,5 kW	25 HP
415 / 440 V	22 kW	30 cv
500 V	22 kW	30 cv
660 / 690 V	22 kW	30 cv

Orientative values of power (UL)		
Voltage	1 Phase	3 Phase
120 V	3	Not available
200 V	Not applicable	10
208 V	Not available	Not available
240 V	7.5	15
480 V	Not available	30
600 V	Not available	25

Utilization category AC-4

Rated current Ie (θ ≤ 55 °C)	
- Ue ≤ 440V	: 18,5 A
- Ue ≤ 500V	: Not available
- Ue ≤ 690V	: 18.5 A

Orientative values of power (IEC)-three-phase induction motors (50/60 Hz)-IV poles-1800 rpm		
Voltage	kW	cv or HP
220 / 240 V	4.5 kW	6 HP
380 / 400 V	9.2 kW	12.5 HP
415 / 440 V	11 kW	15 HP
500 V	11 kW	15 HP
660 / 690 V	11 kW	15 HP

Utilization category AC-1 (3 P/NA)

Maximum percentage (600 ops./h)	: 1
---------------------------------	-----

Maximum power operation θ ≤ 55°C (three resistors)	
Voltage	Power
220 / 240 V	22.5 kW
380 / 400 V	39.5 kW
415 / 440 V	45.5 kW
500 V	52 kW
660 / 690 V	66 kW

Auxiliary contacts

Standards compliance	: Not available
Insulation voltage Ui	
- IEC / UL	: Not available / Not available

DATASHEET

Contactors



Rated utilization voltage U_e
 - IEC / UL : Not available / Not available
 Conventional thermal current I_{th} ($\theta \leq 55^\circ\text{C}$) : Not available
 Rated current I_e - IEC 60947-5-1/AC-15
 - 220 / 240 V : Not available
 - 380 / 440 V : Not available
 - 500 V : Not available
 - 660 / 690 V : Not available
 Rated current I_e - IEC 60947-5-1/DC-13
 - 24 V : Not available
 - 48 V : Not available
 - 110 V : Not available
 - 220 V : Not available
 - 440 V : Not available
 Establishment capacity - (AC-15 and $U_e \leq 690\text{V}$ 50/60Hz) : Not available
 Interruption capacity - (AC-15 and $U_e \leq 400\text{V}$ 50/60Hz) : Not available
 Protection against short circuit of the contacts main fuse (gL/gG) : Not available
 Control circuit reliability : Not available
 Electrical lifespan : Not available
 Mechanical lifespan : Not available
 Non-overlapping time between NO and NC contacts : Not available
 Impedance per pole : Not available

Connection

Main contacts
 Type of the screw : M4 Flat/Phillips
 Section of the conductors

Type of the conductor	Section (IEC)	Section (UL)
Rigid cable	1 x Not available	1 x
	2 x Not available	2 x
Flexible cable without terminal	1 x Not available	1 x
	2 x Not available	2 x
Flexible cable with terminal	1 x Not contain	1 x
	2 x Not contain	2 x

Tightening torque (IEC/UL) : 2...2.5 Nm / 22 lb.in
 Control circuit
 Type of the screw : M3,5 Flat/Phillips
 Section of the conductors

Type of the conductor	Section (IEC)	Section (UL)
Rigid cable	1 x 0,5...4 mm ²	1 x
	2 x 0,5...2,5 mm ²	2 x
Flexible cable without terminal	1 x 1...4 mm ²	1 x
	2 x 1...2,5 mm ²	2 x
Flexible cable with terminal	1 x 0,5...4 mm ²	1 x
	2 x 0,5...2,5 mm ²	2 x

Tightening torque (IEC/UL) : 0,8...1,1 Nm / 10 lb.in

Direct current application

Utilization category DC-1 ($L/R \leq 1$ ms)

Voltage	Rated utilization current (I_e)			
	Pole(s) in series			
	1	2	3	4
$U_e \leq 24\text{V}$	40 A	60 A	60 A	Not available
$U_e \leq 48\text{V}$	35 A	60 A	60 A	Not available
$U_e \leq 60\text{V}$	32 A	60 A	60 A	Not available
$U_e \leq 125\text{V}$	8 A	45 A	60 A	Not available
$U_e \leq 220\text{V}$	1 A	8 A	50 A	Not available
$U_e \leq 440\text{V}$	0,5 A	1 A	10 A	Not available
$U_e \leq 600\text{V}$	Not available	0,5 A	5 A	Not available

Utilization category DC-3 ($L/R \leq 2.5$ ms)

Voltage	Rated utilization current (I_e)			
	Pole(s) in series			
	1	2	3	4
$U_e \leq 24\text{V}$	32 A	40 A	40 A	Not available
$U_e \leq 48\text{V}$	20 A	40 A	40 A	Not available
$U_e \leq 60\text{V}$	15 A	40 A	40 A	Not available
$U_e \leq 125\text{V}$	3 A	32 A	40 A	Not available
$U_e \leq 220\text{V}$	0,6 A	2 A	32 A	Not available
$U_e \leq 440\text{V}$	Not available	0,5 A	3 A	Not available
$U_e \leq 600\text{V}$	Not available	Not available	1,5 A	Not available

DATASHEET

Contactors



Operation category DC-5 (L/R ≤ 15ms)

Voltage	Rated utilization current (Ie)			
	Pole(s) in series			
	1	2	3	4
Ue ≤ 24V	32 A	40 A	40 A	Not available
Ue ≤ 48V	20 A	40 A	40 A	Not available
Ue ≤ 60V	15 A	40 A	40 A	Not available
Ue ≤ 125V	1.2 A	5 A	32 A	Not available
Ue ≤ 220V	Not available	0,8 A	3 A	Not available
Ue ≤ 440V	Not available	Not available	0.7 A	Not available
Ue ≤ 600V	Not available	Not available	Not available	Not available

Ambient temperature

Operation : -25 °C ... +55 °C
 Storage : -55 °C ... +80 °C
 Maximum altitude with no change of rated values [2] : 3000 m

Dimensions

Height : 89 mm (3.50 in)
 Width : 55 mm (2.17 in)
 Depth : 98 mm (3.86 in)
 Weight : 1.2 kg

Standards

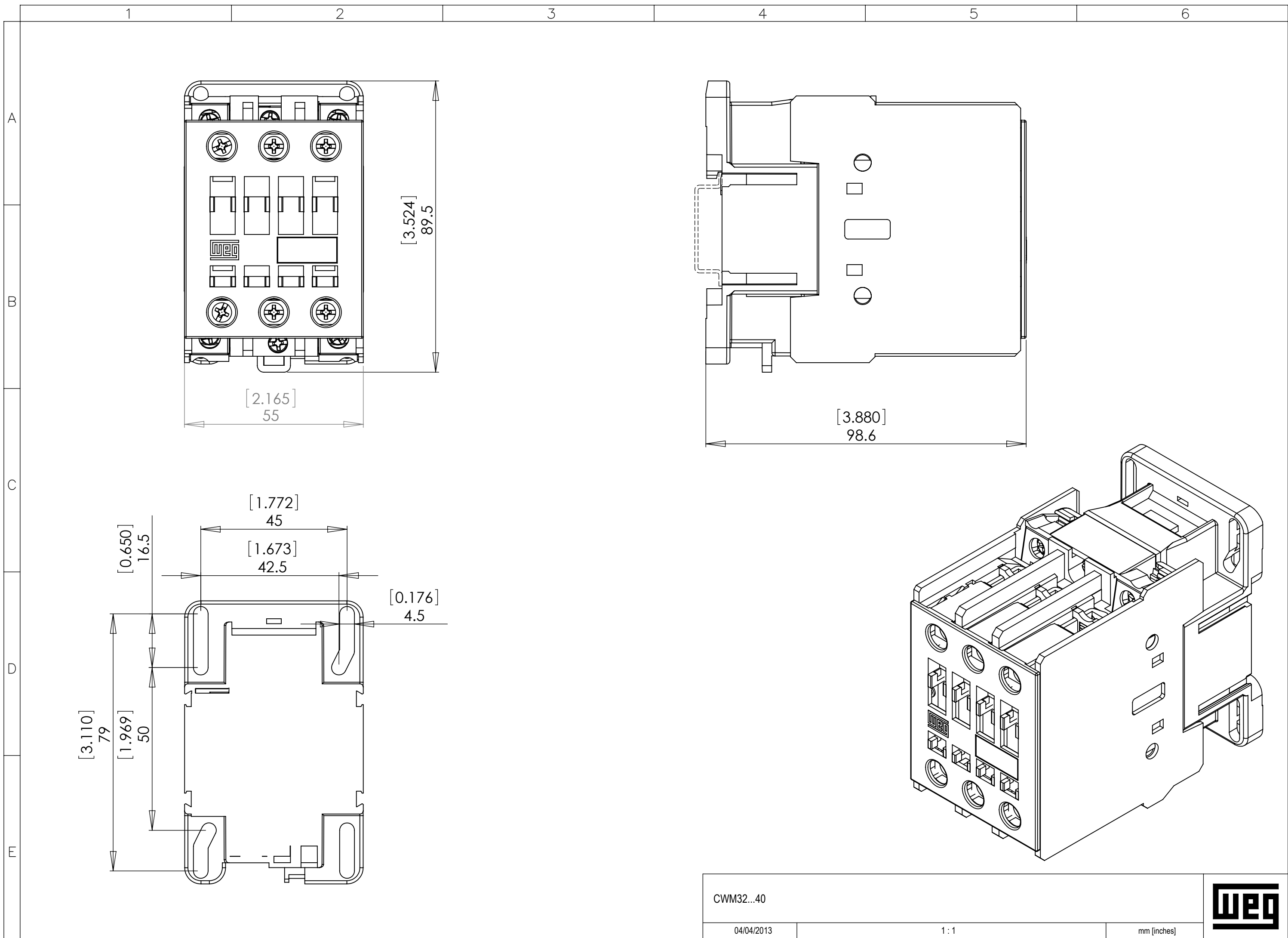
IEC 60947-1
 UL 508

Certifications

CE, UL, UL-NOM, IRAM, BUREAU VERITAS and EAC

Notes

- 1) Values above 60 Hz should have current reduction;
- 2) For altitudes of 3000 to 4000 m (0.90 x 0.80 x Ie and Ui) and from 4000 to 5000 m (0.80 x 0.75 x Ie and Ui).



CWM32...40

04/04/2013

1:1

mm [inches]



A3