

# DATASHEET

## Contactors



### Main Features

Reference	: CWB
Product code	: 12542266
Rated current Ie AC-3 (Ue ≤ 440 V)	: 18 A
Main contacts (power)	: 3 NO
Auxiliary contacts	: 1 NO + 1 NC
Control voltage	: 24V DC
Type of terminal	: Screw

### Basic data

Rated utilization voltage Ue	
- IEC / UL	: 690 V / 600 V
Isolation voltage Ui (pollution degree 3)	
- IEC / UL	: 690 V / 600 V
Rated impulse withstand voltage Uimp	: 6 kV
- Frequency limits [1]	: 25 Hz ... 400 Hz
- Mechanical lifespan	
AC-operated contactor	: 10 million
DC-operated contactor	: 10 million
Electrical lifespan - Ie AC3	: 00015
Number of coil terminals (AC Coil)	
AC coil contactors	: 2
- DC coil contactors	: 2
Resistance to vibration (IEC 60068-2-6)	
opened contactor	: 4 g
closed contactor	: 4 g
Resistance to mechanical shock (½ sinusoid = 11ms)	
opened contactor	: 10 g
closed contactor	: 15 g
Installation	: DIN 35 mm (EN 50022)
Degree of protection (IEC 60529)	
Main circuit	: IP10
Control circuit	: IP20

### Alternating current - control circuit

Isolation voltage Ui (pollution degree 3)	
- IEC / UL	: 690 V / 600 V
Standard voltages for 50/60 Hz	:
Command circuit operation limits	
- control circuit 60 Hz	- pick up : - drop out :
- control circuit 50 Hz	- pick up : - drop out :
- Average coil consumption	
- operating at 60 Hz	- closed magnetic circuit : - power factor (cos φ) : - Thermal power dissipated : - closing the magnetic circuit :
- operating at 50 Hz	- closed magnetic circuit : - power factor (cos φ) : - Thermal power dissipated : - closing the magnetic circuit :
Average time of operation	
- closing the NO contacts	:
- opening the NO contacts	:

### Direct current - command circuit

- IEC / UL	
Standard voltages	: 12...500 V
Command circuit operation limits	
- pick up	: 0,5...0,8xUs
- drop out	: 0,1...0,4xUs
Average consumption	
- closed magnetic circuit	: 5...7 W
- closing the magnetic circuit	: 5...7 W
Thermal power dissipated	: 5...7 W
Average time of operation	
- closing the NO contacts	: 35...45 ms
- opening the NO contacts	: 8...12 ms

### Main contacts (power)

Rated utilization current Ie	
- AC-3 (Ue ≤ 440 V)	: 18 A

# DATASHEET

## Contactors



- AC-4 (U <sub>e</sub> ≤ 440 V)	: 8,5 A
- AC-1 (θ ≤ 55 °C, U <sub>e</sub> ≤ 690 V)	: 32 A
Rated utilization voltage U <sub>e</sub>	
- IEC / UL	: 690 V / 600 V
Number of main contacts	: 3 NO
Establishment capacity (IEC 60947)	: 300 A
Breaking capacity (IEC/EN 60947)	
- U <sub>e</sub> ≤400V	: 300 A
- U <sub>e</sub> =500V	: 250 A
- U <sub>e</sub> =690V	: 180 A
Temporary permissible current (without previously current conduction during 15 min at θ ≤ 40 °C)	
- 1 sec	: 240 A
- 1 sec	: 145 A
- 1 sec	: 145 A
- 1 min	:
- 10 min	: 40 A
Protection against short circuit of the contacts main fuse (gL/gG)	
- @600V - UL/CSA	: 5 kA
- type 1 coordination	: 35 A
- type 2 coordination	: Not available
Average power dissipated per pole	
AC-1 (θ ≤ 55 °C, U <sub>e</sub> ≤ 690 V)	: 2,5 W
AC-3 (U <sub>e</sub> ≤ 440 V)	: 0,8 W
<b>Utilization category AC-3</b>	
Rated current I <sub>e</sub> (θ ≤ 55 °C)	
- U <sub>e</sub> ≤ 440V	: 18 A
- U <sub>e</sub> ≤ 500V	: 15,8 A
- U <sub>e</sub> ≤ 690V	: 12,8 A
Maximum percentage (600 ops./h)	: 100 %

Orientative values of power (IEC)-three-phase induction motors (50/60 Hz)-IV poles-1800 rpm

Voltage	kW	cv or HP
220 / 240 V	4,5 kW	6 HP
380 / 400 V	7,5 kW	10 HP
415 / 440 V	9,2 kW	12,5 HP
500 V	10 kW	13,4 HP
660 / 690 V	11 kW	15 HP

Orientative values of power (UL)

Voltage	1 Phase		3 Phase	
120 V		1		Not available
200 V		Not applicable		5
208 V		Not available		Not available
240 V		3		5
480 V		Not available		10
600 V		Not available		15

### Utilization category AC-4

Rated current I<sub>e</sub> (θ ≤ 55 °C)

- U <sub>e</sub> ≤ 440V	: 8,5 A
- U <sub>e</sub> ≤ 500V	: 7,5 A
- U <sub>e</sub> ≤ 690V	: 5,4 A

Orientative values of power (IEC)-three-phase induction motors (50/60 Hz)-IV poles-1800 rpm

Voltage	kW	cv or HP
220 / 240 V	2,2 kW	2,9 HP
380 / 400 V	4 kW	5,4 HP
415 / 440 V	3,7 kW	5 HP
500 V	5 kW	6,7 HP
660 / 690 V	5 kW	6,7 HP

### Utilization category AC-1 (3 P/NA)

Maximum percentage (600 ops./h)

: 1

Maximum power operation θ ≤ 55°C (three resistors)

Voltage	Power
220 / 240 V	12 kW
380 / 400 V	21 kW
415 / 440 V	24,5 kW
500 V	27,5 kW
660 / 690 V	36,5 kW

### Auxiliary contacts

Standards compliance	: IEC 600947-5-1
Insulation voltage U <sub>i</sub>	
- IEC / UL	: 1000 V / 600 V

# DATASHEET

## Contactors



Rated utilization voltage  $U_e$   
 - IEC / UL : 690 V / 690 V  
 Conventional thermal current  $I_{th}$  ( $\theta \leq 55^\circ\text{C}$ ) : 10 A  
 Rated current  $I_e$  - IEC 60947-5-1/AC-15  
 - 220 / 240 V : 10 A  
 - 380 / 440 V : 4 A  
 - 500 V : 2,5 A  
 - 660 / 690 V : 1,5 A  
 Rated current  $I_e$  - IEC 60947-5-1/DC-13  
 - 24 V : 4 A  
 - 48 V : 2 A  
 - 110 V : 0,7 A  
 - 220 V : 0,3 A  
 - 440 V : 0,15 A  
 Establishment capacity - (AC-15 and  $U_e \leq 690\text{V}$  50/60Hz) : 10 x  $I_e$   
 Interruption capacity - (AC-15 and  $U_e \leq 400\text{V}$  50/60Hz) : 1 x  $I_e$   
 Protection against short circuit of the contacts main fuse (gL/gG) : 10 A  
 Control circuit reliability : 17/5 V/mA  
 Electrical lifespan : 1 Million  
 Mechanical lifespan : 10 million  
 Non-overlapping time between NO and NC contacts : 1,5 ms  
 Impedance per pole : 2,5 m $\Omega$

### Connection

Main contacts  
 Type of the screw : M4 Flat/Phillips  
 Section of the conductors

Type of the conductor	Section (IEC)	Section (UL)
Rigid cable	1 x 1...6 mm <sup>2</sup>	1 x
	2 x 1...6 mm <sup>2</sup>	2 x
Flexible cable without terminal	1 x 1...6 mm <sup>2</sup>	1 x
	2 x 1...6 mm <sup>2</sup>	2 x
Flexible cable with terminal	1 x 1...6 mm <sup>2</sup>	1 x
	2 x 1...4 mm <sup>2</sup>	2 x

Tightening torque (IEC/UL) : 1.7 Nm / 15 lb.in  
 Control circuit  
 Type of the screw : M3,5 Flat/Phillips  
 Section of the conductors

Type of the conductor	Section (IEC)	Section (UL)
Rigid cable	1 x 1...4 mm <sup>2</sup>	1 x
	2 x 1...4 mm <sup>2</sup>	2 x
Flexible cable without terminal	1 x 1...4 mm <sup>2</sup>	1 x
	2 x 1...4 mm <sup>2</sup>	2 x
Flexible cable with terminal	1 x 1...4 mm <sup>2</sup>	1 x
	2 x 1...2,5 mm <sup>2</sup>	2 x

Tightening torque (IEC/UL) : 1 Nm / 8.8 lb.in

### Direct current application

Utilization category DC-1 ( $L/R \leq 1$  ms)

Voltage	Rated utilization current ( $I_e$ )			
	Pole(s) in series			
	1	2	3	4
$U_e \leq 24\text{V}$	25 A	25 A	25 A	Not available
$U_e \leq 48\text{V}$	25 A	25 A	25 A	Not available
$U_e \leq 60\text{V}$	25 A	25 A	25 A	Not available
$U_e \leq 125\text{V}$	4 A	25 A	25 A	Not available
$U_e \leq 220\text{V}$	1 A	4 A	25 A	Not available
$U_e \leq 440\text{V}$	0,4 A	1 A	4 A	Not available
$U_e \leq 600\text{V}$	Not available	0,4 A	1 A	Not available

Utilization category DC-3 ( $L/R \leq 2.5$  ms)

Voltage	Rated utilization current ( $I_e$ )			
	Pole(s) in series			
	1	2	3	4
$U_e \leq 24\text{V}$	22 A	22 A	22 A	Not available
$U_e \leq 48\text{V}$	22 A	22 A	22 A	Not available
$U_e \leq 60\text{V}$	22 A	22 A	22 A	Not available
$U_e \leq 125\text{V}$	2 A	22 A	22 A	Not available
$U_e \leq 220\text{V}$	0,5 A	2 A	22 A	Not available
$U_e \leq 440\text{V}$	Not available	0,3 A	1,5 A	Not available
$U_e \leq 600\text{V}$	Not available	Not available	0,8 A	Not available

# DATASHEET

## Contactors



Operation category DC-5 (L/R ≤ 15ms)

Voltage	Rated utilization current (Ie)			
	Pole(s) in series			
	1	2	3	4
Ue ≤ 24V	22 A	22 A	22 A	Not available
Ue ≤ 48V	22 A	22 A	22 A	Not available
Ue ≤ 60V	22 A	22 A	22 A	Not available
Ue ≤ 125V	2 A	22 A	22 A	Not available
Ue ≤ 220V	Not available	2 A	22 A	Not available
Ue ≤ 440V	Not available	Not available	1,5 A	Not available
Ue ≤ 600V	Not available	Not available	Not available	Not available

### Ambient temperature

Operation : -25 °C ... +55 °C

Storage : -55 °C ... +80 °C

Maximum altitude with no change of rated values [2] : 3000 m

### Dimensions

Height : 78,4 mm (3.09 in)

Width : 45 mm (1.77 in)

Depth : 95,7 mm (3.77 in)

Weight : 408 g

### Standards

IEC 60947-1

UL 508

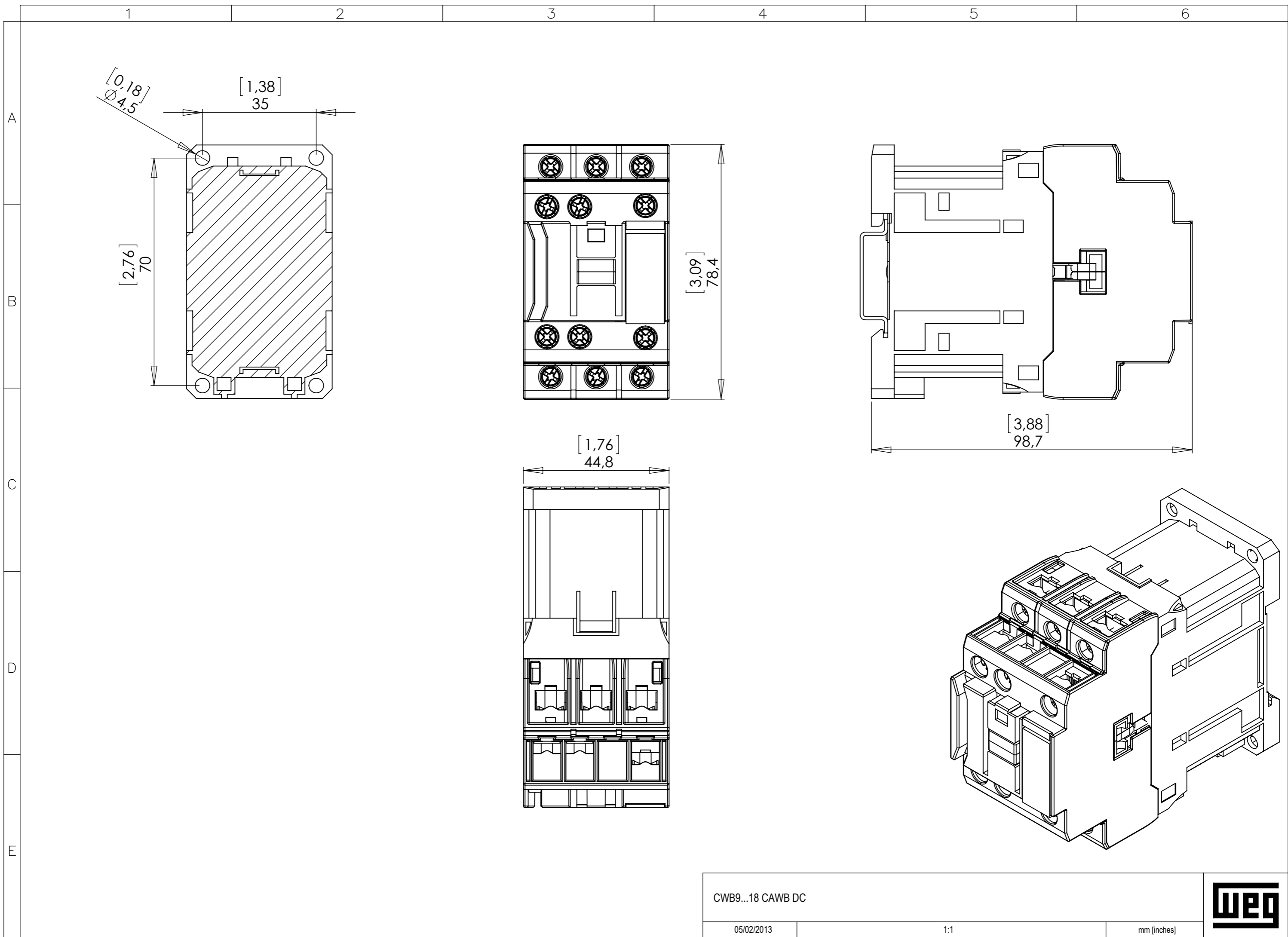
### Certifications

CE, UL, UL-NOM and EAC

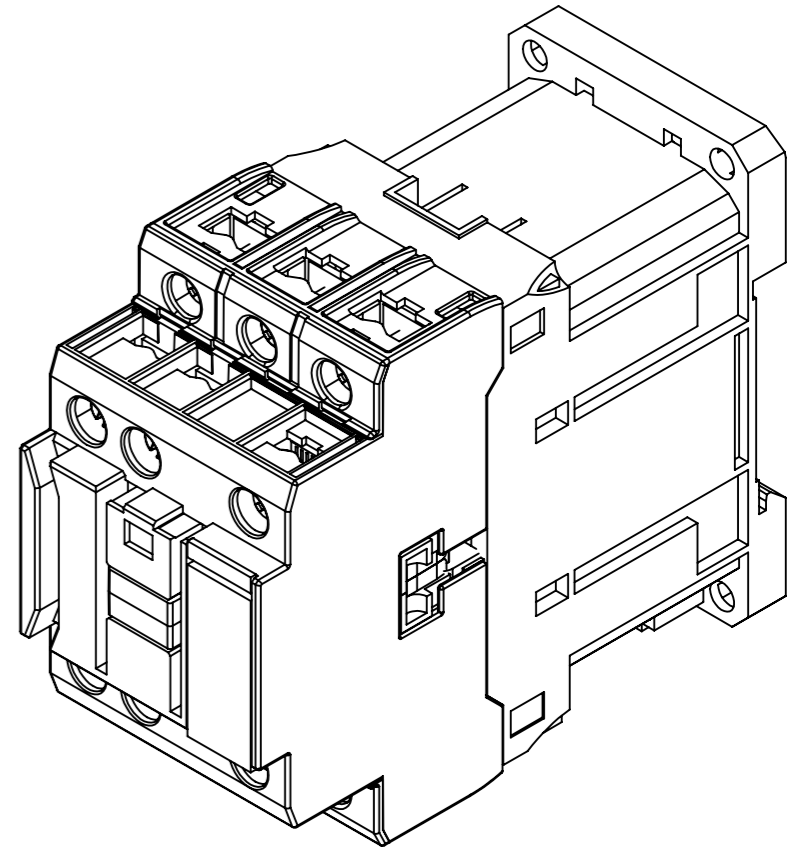
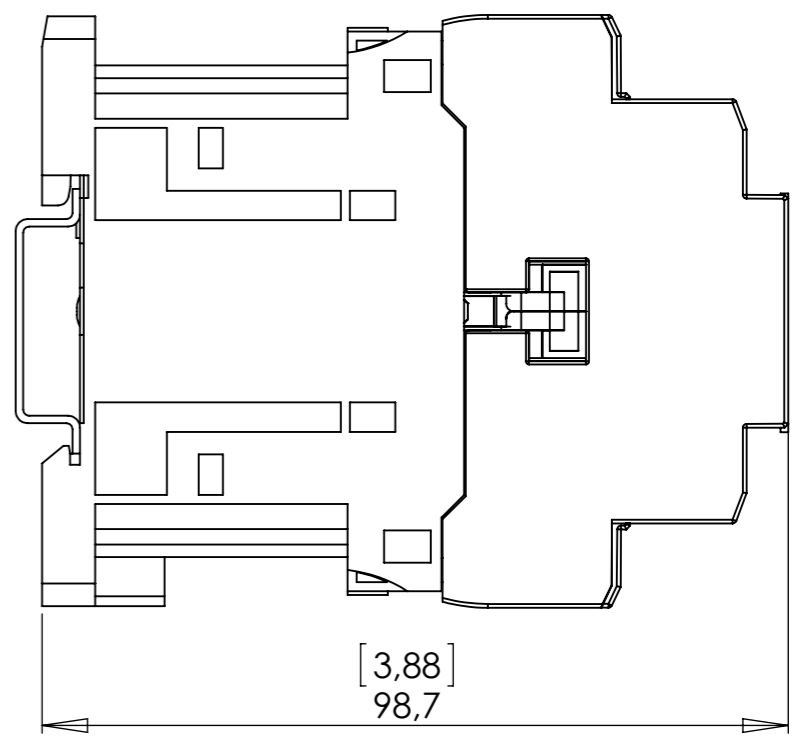
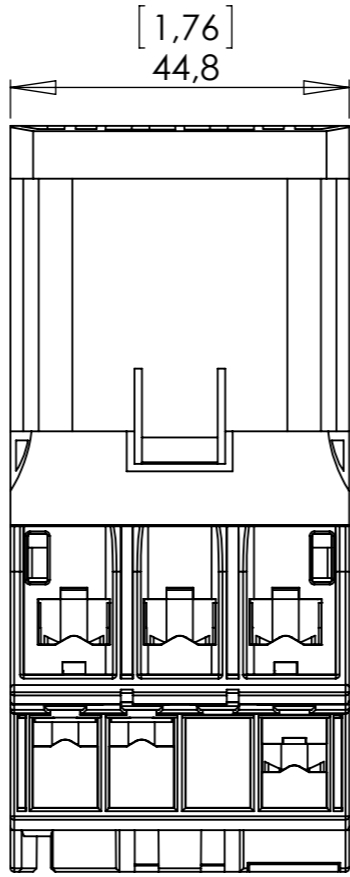
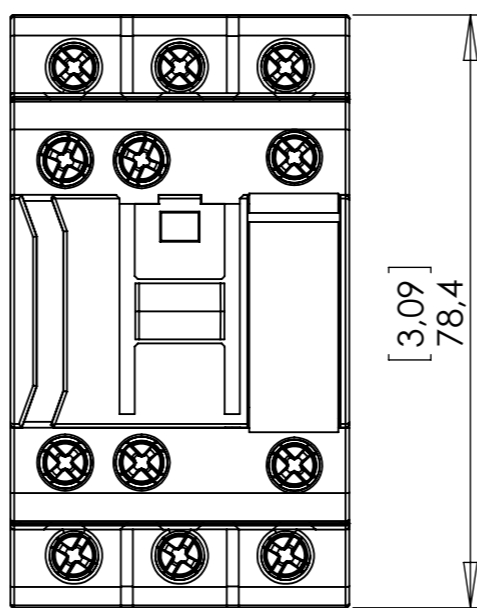
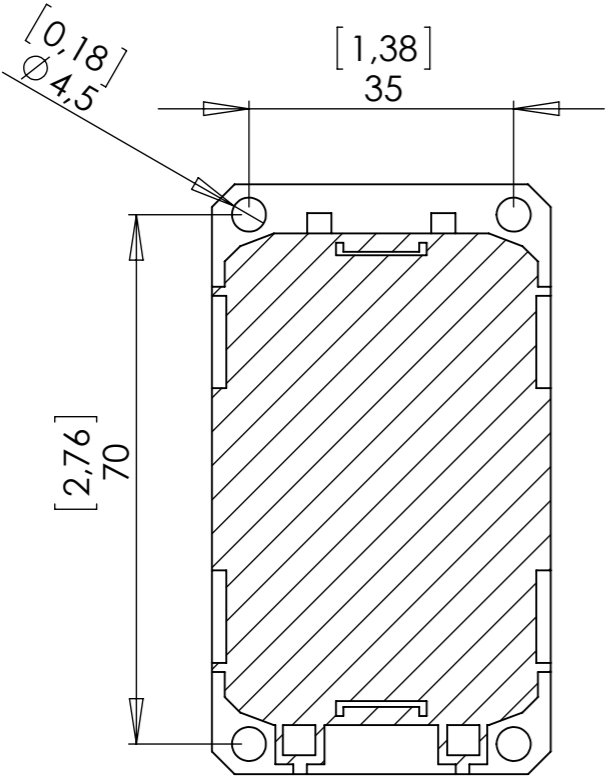
### Notes

1) Values above 60 Hz should have current reduction;

2) For altitudes of 3000 to 4000 m (0.90 x 0.80 x Ie and Ui) and from 4000 to 5000 m (0.80 x 0.75 x Ie and Ui).



A  
B  
C  
D  
E



A3  
 Sujeito a alteração sem aviso prévio. As informações contidas são valores de referência.  
 The values shown are subject to change without prior notice. The information is for reference only.  
 Los valores demostrados pueden ser cambiados sin aviso previo. La información es de referencia solamente.