

DATASHEET

Variable Speed Drives



Main Features

Reference : NACFW110032T5ON1NFZ
 Product code : 13107781
 Product line : CFW11

Basic data

Power supply : 500-600 V
 Input minimum-maximum voltage : 425-660 V
 Number of phases : 3
 Input : 3
 Output : 3

Supply voltage range	500-600 V		500-600 V	
	Normal (ND)	Heavy (HD)	Normal (ND)	Heavy (HD)
Overload regime				
Rated current	32A	27		
Overload current at 60 s	35,2A	40,5A		
Overload current at 3 s	48A	54.0		

Maximum applicable motor

Voltage/Frequency	Power (HP / kW) [1]	
	Normal Overload (ND)	Heavy Overload (HD)
525V / 50Hz	30 / 22	25 / 18,5
575V / 60Hz	30 / 22	25 / 18,5

Dynamic braking [2] : Standard with braking
 Electronic supply : Internal
 Safety Stop : No
 RFI internal filter [3] : Without filter
 External filter : Not available
 Link Inductor : Yes
 Memory card : Included in the product
 USB port : Standard in the product
 Line frequency : 50/60Hz
 Line frequency range (minimum - maximum) : 48-62 Hz
 Phase unbalance : Less or equal to 3% of input rated line voltage
 Transient voltage and overvoltage : Category III
 Rated current of single-phase input :
 - Overload (ND) :
 - Overload (HD) :
 Rated current of three-phase input :
 - Overload (ND) : 32A
 - Overload (HD) : 27A
 Power factor : 0,94
 Displacement factor : 0,98
 Rated efficiency : $\geq 97\%$
 Maximum connections (power up cycles - on/off) per hour : 60
 DC power supply : Allow
 Standard switching frequency :
 - Overload ND : 5 kHz
 - Overload HD : 5 kHz
 Selectable switching frequency : 1,25; 2,5 and 5 kHz
 Real-time clock : Yes, in the HMI
 COPY Function : Yes, by HMI/MMF
 Dissipated power:

Mounting type	Overload		Overload (*)	
	ND	HD	ND	HD
Surface	790 W	670 W	Not applicable	Not applicable
Flange	250 W	215 W	Not applicable	Not applicable

Source available to the user

Output voltage : 24 Vcc
 Maximum capacity : 500 mA

Control/performance data

Power supply : Switched-mode power supply
 Control method : V/f, VVW, Vector and PM motor
 Encoder interface : Only with 'Slot 2' accessory
 Control output frequency : 0 to 300 Hz
 Frequency resolution : Equivalent to 1 rpm

Control/performance data

V/F Control	
- Speed resolution	: 1% of rated speed
- Speed range	: 1:20
VVW Control	
- Speed resolution	: 1% of rated speed
- Speed range	: 1:30
Sensorless vector control	
- Speed resolution	: 0,5% of rated speed
- Speed range	: 1:100
Vector control with encoder	
- Speed resolution	: 0,05% of rated speed
- Speed range	: Up to 0 rpm

Analog inputs

Quantity (standard)	: 2
Levels	: 0-10V, 0/4-20mA and -10-+10V
Impedance	
- Impedance for voltage input	: 400 k Ω
- Impedance for current input	: 500 Ω
Function	: Programmable
Maximum allowed voltage	: \pm 30 Vcc

Digital inputs

Digital inputs - Quantity (standard)	: 6
Activation	: Active low and high
Maximum low level	: 3 V
Minimum high level	: 18 V
Input current	: 11 mA
Maximum input current	: 13,5 mA
Function	: Programmable
Maximum allowed voltage	: 30 Vcc

Analog outputs

Analogic outputs - Quantity (standard)	: 2
Levels	: 0 to 10V, 0 to 20mA and 4 to 20mA
RL for voltage output	: 10 k Ω
RL for current output	: 500 Ω
Function	: Programmable

Digital outputs

Digital outputs - Quantity (standard)	: 3 NO/NC relays
Maximum voltage	: 240 Vca
Maximum current	: 1 A
Function	: Programmable

Communication

- Modbus-RTU (with accessory: RS485-01; RS485-05; CAN/RS485-01; RS232-01 or RS232-05)
- Modbus/TCP (with accessory: MODBUSTCP-05)
- Profibus DP (with accessory: PROFDP-05)
- Profibus DPV1 (with accessory: PROFIBUS DP-01)
- Profinet (with accessory: PROFINETIO-05)
- CANopen (with accessory: CAN/RS485-01 or CAN-01)
- DeviceNet (with accessory: DEVICENET-05; CAN/RS485-01 or CAN-01)
- EtherNet/IP (with accessory: ETHERNET/IP-05 or ETHERNETIP-2P-05)
- EtherCAT (with accessory: ETHERCAT-01)
- BACnet (with accessory: RS485-01 or CAN/RS485-01)

Protections available

- Output overcurrent/short circuit
- Power supply phase loss
- Under/Overvoltage in power
- Overtemperature
- Motor overload
- IGBT's modules overload
- Fault/External alarm
- Breaking resistor overload
- CPU or memory failure
- Output phase-ground short circuit

Operation interface (HMI)

Avaliability	: Included in the product
Installation	: Local
Number of HMI buttons	: 9
Display	: Graphic LCD
Indication accuracy	: 5% of rated current
Speed resolution	: 1 rpm
Standard HMI degree of protection	: IP56
HMI battery type	: CR2032

DATASHEET

Variable Speed Drives



Operation interface (HMI)

HMI battery life expectancy : 10 years
 Remote HMI type : Detachable of the inverter
 Remote HMI frame : Accessory
 Remote HMI degree of protection : IP56

Ambient conditions

Enclosure : NEMA1/IP20
 Degree of pollution : 2
 Temperature
 - Minimum : -10 °C / 14 °F
 - Nominal [4] :
 Current reduction factor [5] :
 Relative humidity (non-condensing)
 - Minimum : 5%
 - Maximum : 90%
 Altitude
 - Rated conditions : 1000 m (3281 ft)
 - Maximum altitude allowed for operation : 4000 m (13123 ft)
 Current Reduction factor[6]
 - Current derating factor (for altitudes above rated) : 1% for each 100 m above
 - Voltage derating factor (for altitudes above 2000 m / 6562 ft) : 1,1% for each 100 m above

Sustainability policies

RoHS : Yes
 Conformal Coating : 3C2

Dimensions

Size : C
 Height :
 Width :
 Depth :
 Weight :

Mechanical installation

Mounting position : Surface or flange
 Fixing screw : M6
 Tightening torque : 8,5 N.m / 6.27 lb.ft
 Allows side-by-side assembly : Yes, without top cap
 Minimum spacing around the inverter
 - Top : 110 mm / 4.33 in
 - Bottom : 130 mm / 5.12 in
 - Front : 20 mm / 0.78 in
 - Side : 80 mm / 3.15 in

Electrical connections

Cable gauges and tightening torque:

	Recommended cable gauge to 75 °C (167 °F)	Recommended tightening torque
Power	10,0 mm ² (8 AWG)	2,7 N.m / 1,99 lb.ft
Braking	10,0 mm ² (8 AWG)	2,7 N.m / 1,99 lb.ft
Grounding	10,0 mm ² (8 AWG)	3,5 N.m / 2.58 lb.ft
Control	0,5 to 1,5 mm ² (20 to 14 AWG)	0,5 N.m / 0.37 lb.ft

Additional specifications

Maximum breaking current : 45,5 A
 Minimum resistance for the brake resistor : 22 Ω
 Recommended aR fuse : FNH00-63K-A
 Recommended aR fuse : Not applicable
 Recommended circuit breaker : To define
 Recommended circuit breaker : Not applicable

Standards

Safety	<ul style="list-style-type: none"> - UL 508C - Power conversion equipment. - UL 840 - Insulation coordination including clearances and creepage distances for electrical equipment. - EN 61800-5-1 - Safety requirements electrical, thermal and energy. - EN 50178 - Electronic equipment for use in power installations - EN 60204-1 - Safety of machinery. Electrical equipment of machines. Part 1: General requirements. Note: To have a machine in accordance with this standard, the machine manufacturer is responsible for installing an emergency stop device and supply disconnecting device. - EN 60146 (IEC 146) - Semiconductor converters. - EN 61800-2 - Adjustable speed electrical power drive systems - Part 2: General requirements - Rating specifications for low voltage adjustable frequency AC power drive systems.
Electromagnetic compatibility	EN 61800-3 - Adjustable speed electrical power drive systems - Part 3: EMC product standard including specific test methods.



- EN 55011 - Limits and methods of measurement of radio disturbance characteristics of industrial, scientific and medical (ISM) radio-frequency equipment.
- CISPR 11 - Industrial, scientific and medical (ISM) radio-frequency equipment - Eletromagnetic disturbance characteristics - Limits and methods of measurement.
- EN 61000-4-2 - Eletromagnetic compatibility (EMC) - Part 4: Testing and measurement techniques - Section 2: Electrostatic discharge immunity test.
- EN 61000-4-3 - Eletromagnetic compatibility (EMC) - Part4: Testing and measurement techniques - Section 3: Radiated, radio-frequency, electromagnetic field immunity test.
- EN 61000-4-4 - Eletromagnetic compatibility (EMC) - Part4: Testing and measurement techniques - Section 4: Electrical fast transient/burst immunity test.
- EN 61000-4-5 - Eletromagnetic compatibility (EMC) - Part4: Testing and measurement techniques - Section 5: Surge immunity test.
- EN 61000-4-6 - Eletromagnetic compatibility (EMC) - Part4: Testing and measurement techniques - Section 6: Immunity to conducted disturbances, induced by radio-frequency fields.

Mechanical construction

- EN 60529 - Degrees of protection provided by enclosures (IP code).
- UL 50 - Enclosures for electrical equipment.
- EN 60529 e UL 50

Certifications

Notes

- 1) Orientative motor power, valid for WEG Motors standard of IV poles. The correct sizing must be done according to the nominal current of the motor used, which must be less than or equal to the rated output current of the inverter;
- 2) Braking resistor is not included;
- 3) With category for emission level conducted;
- 4) Without derating and with minimum spaces;
- 5) For temperatures above the nominal and maximum temperature (with derating of current and minimum spaces);
- 6) For altitude over of specified;
- 7) All images are merely illustrative;
- 8) For more information, see the users manual of the CFW-11 (size C).

1

2

3

4

5

6

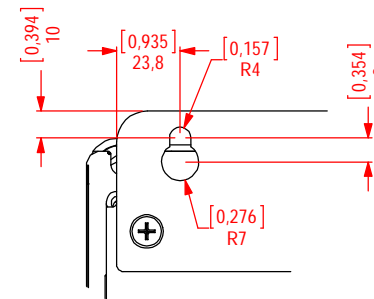
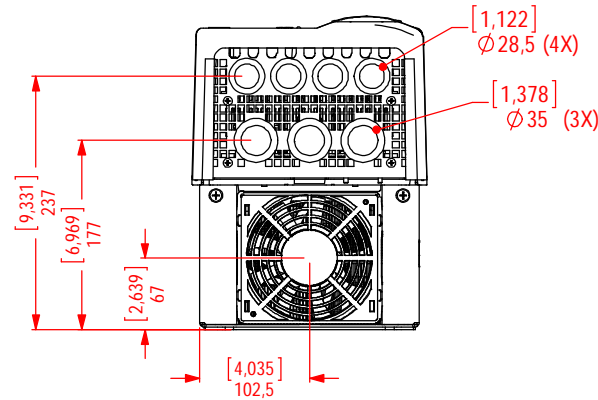
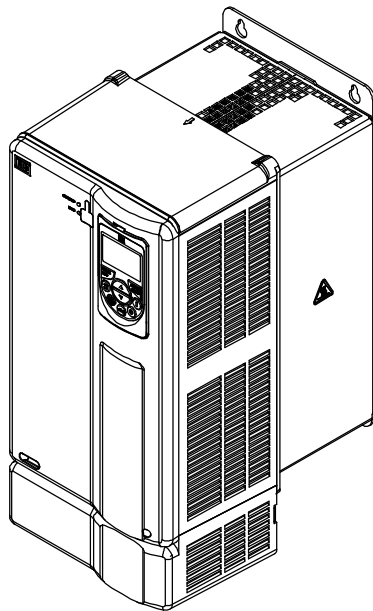
A

B

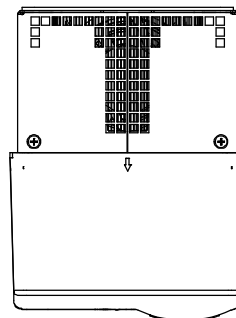
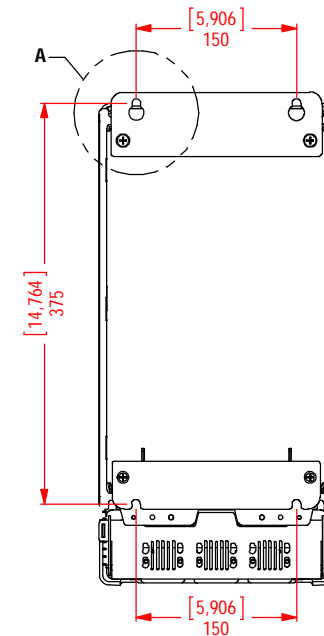
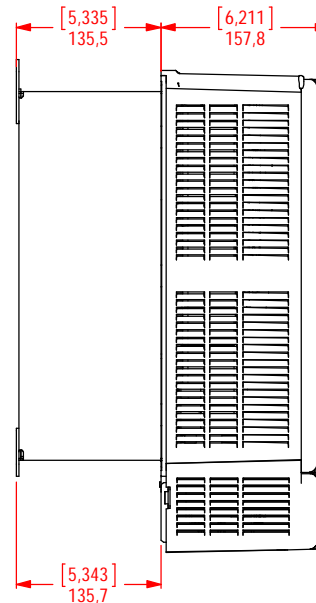
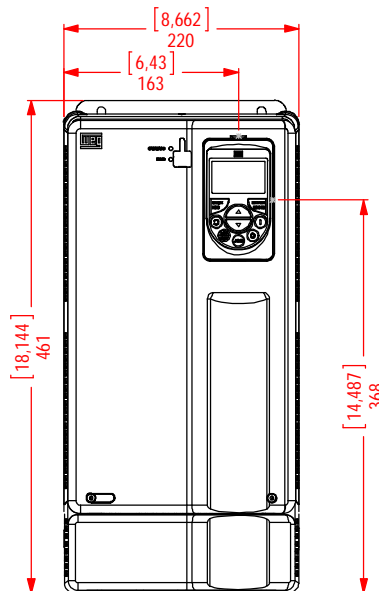
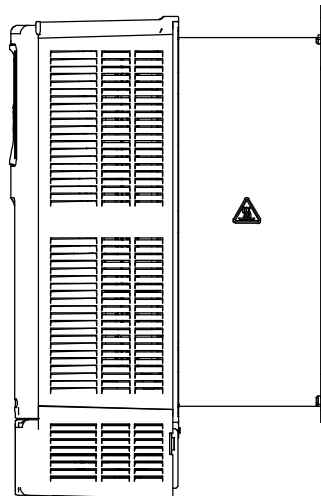
C

D

E



DETALHE A
ESCALA 1 : 2



MASSA BRUTA/GROSS WEIGHT		kg	MASSA LÍQUIDA/NET WEIGHT		kg	ESCALA/SCALE				
ECM	LOC	RESUMO DE MODIFICAÇÕES SUMMARY OF MODIFICATIONS				EXECUTADO EXECUTED	VERIFICADO CHECKED	LIBERADO RELEASED	DATA DATE	VER
EXEC		CFW 11 / CFW 700								
VERIF/CHECKED		MEC / SIZE C								
LIBER/RELEASED		NEMA 1								
DT LIBER/REL DT										
						10003582365				
						FOL/SHEET		1 / 1		

