

# DATASHEET

## Variable Speed Drives



### Main Features

Reference : NACFW110038T40N1Z  
 Product code : 10574741  
 Product line : CFW11

### Basic data

Power supply : 380-480 V  
 Input minimum-maximum voltage : 323-528 V  
 Number of phases : 3  
 Input : 3  
 Output : 3

Supply voltage range	380-480 V		380-480 V	
	Normal (ND)	Heavy (HD)	Normal (ND)	Heavy (HD)
Overload regime				
Rated current	38A	33		
Overload current at 60 s	41,8A	49,5A		
Overload current at 3 s	57A	66.0		

### Maximum applicable motor

Voltage/Frequency	Power (HP / kW) [1]	
	Normal Overload (ND)	Heavy Overload (HD)
380V / 50Hz	25 / 18,5	20 / 15
380V / 60Hz	25 / 18,5	20 / 15
400V / 50Hz	25 / 18,5	20 / 15
400V / 60Hz	25 / 18,5	20 / 15
440V / 50Hz	30 / 22	25 / 18,5
440V / 60Hz	30 / 22	25 / 18,5
460V / 60Hz	30 / 22	25 / 18,5
480V / 60Hz	30 / 22	25 / 18,5

Dynamic braking [2] : Standard with braking  
 Electronic supply : Internal  
 Safety Stop : No  
 RFI internal filter [3] : Without filter  
 External filter : Not available  
 Link Inductor : Yes  
 Memory card : Included in the product  
 USB port : Standard in the product  
 Line frequency : 50/60Hz  
 Line frequency range (minimum - maximum) : 48-62 Hz  
 Phase unbalance : Less or equal to 3% of input rated line voltage  
 Transient voltage and overvoltage : Category III  
 Rated current of single-phase input :  
 - Overload (ND) :  
 - Overload (HD) :  
 Rated current of three-phase input :  
 - Overload (ND) : 38A  
 - Overload (HD) : 33 A  
 Power factor : 0,94  
 Displacement factor : 0,98  
 Rated efficiency :  $\geq 97\%$   
 Maximum connections (power up cycles - on/off) per hour : 60  
 DC power supply : Allow  
 Standard switching frequency :  
 - Overload ND : 5 kHz  
 - Overload HD : 5 kHz  
 Selectable switching frequency : 1,25; 2; 2,5; 5 and 10 kHz  
 Real-time clock : Yes, in the HMI  
 COPY Function : Yes, by HMI/MMF  
 Dissipated power:

Mounting type	Overload		Overload (*)	
	ND	HD	ND	HD
Surface	710 W	590 W	Not applicable	Not applicable
Flange	110 W	90 W	Not applicable	Not applicable

### Source available to the user

Output voltage : 24 Vcc  
 Maximum capacity : 500 mA

### Control/performance data

Power supply	: Switched-mode power supply
Control method	: V/f, VVW, Vector and PM motor
Encoder interface	: Only with 'Slot 2' accessory
Control output frequency	: 0 to 300 Hz
Frequency resolution	: Equivalent to 1 rpm
V/F Control	
- Speed resolution	: 1% of rated speed
- Speed range	: 1:20
VVW Control	
- Speed resolution	: 1% of rated speed
- Speed range	: 1:30
Sensorless vector control	
- Speed resolution	: 0,5% of rated speed
- Speed range	: 1:100
Vector control with encoder	
- Speed resolution	: 0,05% of rated speed
- Speed range	: Up to 0 rpm

### Analog inputs

Quantity (standard)	: 2
Levels	: 0-10V, 0/4-20mA and -10-+10V
Impedance	
- Impedance for voltage input	: 400 k $\Omega$
- Impedance for current input	: 500 $\Omega$
Function	: Programmable
Maximum allowed voltage	: $\pm$ 30 Vcc

### Digital inputs

Digital inputs - Quantity (standard)	: 6
Activation	: Active low and high
Maximum low level	: 3 V
Minimum high level	: 18 V
Input current	: 11 mA
Maximum input current	: 13,5 mA
Function	: Programmable
Maximum allowed voltage	: 30 Vcc

### Analog outputs

Analogic outputs - Quantity (standard)	: 2
Levels	: 0 to 10V, 0 to 20mA and 4 to 20mA
RL for voltage output	: 10 k $\Omega$
RL for current output	: 500 $\Omega$
Function	: Programmable

### Digital outputs

Digital outputs - Quantity (standard)	: 3 NO/NC relays
Maximum voltage	: 240 Vca
Maximum current	: 1 A
Function	: Programmable

### Communication

- Modbus-RTU (with accessory: RS485-01; RS485-05; CAN/RS485-01; RS232-01 or RS232-05)
- Modbus/TCP (with accessory: MODBUSTCP-05)
- Profibus DP (with accessory: PROFDP-05)
- Profibus DPV1 (with accessory: PROFIBUS DP-01)
- Profinet (with accessory: PROFINETIO-05)
- CANopen (with accessory: CAN/RS485-01 or CAN-01)
- DeviceNet (with accessory: DEVICENET-05; CAN/RS485-01 or CAN-01)
- EtherNet/IP (with accessory: ETHERNET/IP-05 or ETHERNETIP-2P-05)
- EtherCAT (with accessory: ETHERCAT-01)
- BACnet (with accessory: RS485-01 or CAN/RS485-01)

### Protections available

- Output overcurrent/short circuit
- Power supply phase loss
- Under/Overvoltage in power
- Overtemperature
- Motor overload
- IGBT's modules overload
- Fault/External alarm
- Breaking resistor overload
- CPU or memory failure
- Output phase-ground short circuit

### Operation interface (HMI)

Avaliability	: Included in the product
Installation	: Local
Number of HMI buttons	: 9

# DATASHEET

## Variable Speed Drives



### Operation interface (HMI)

Display	: Graphic LCD
Indication accuracy	: 5% of rated current
Speed resolution	: 1 rpm
Standard HMI degree of protection	: IP56
HMI battery type	: CR2032
HMI battery life expectancy	: 10 years
Remote HMI type	: Detachable of the inverter
Remote HMI frame	: Accessory
Remote HMI degree of protection	: IP56

### Ambient conditions

Enclosure	: NEMA1
Degree of pollution	: 2
Temperature	
- Minimum	: -10 °C / 14 °F
- Nominal [4]	: 50 °C / 122 °F
Current reduction factor [5]	: 2 % per °C of 50 (122) o 60 °C (140 °F)
Relative humidity (non-condensing)	
- Minimum	: 5%
- Maximum	: 90%
Altitude	
- Rated conditions	: 1000 m (3281 ft)
- Maximum altitude allowed for operation	: 4000 m (13123 ft)
Current Reduction factor[6]	
- Current derating factor (for altitudes above rated)	: 1% for each 100 m above
- Voltage derating factor (for altitudes above 2000 m / 6562 ft)	: 1,1% for each 100 m above

### Sustainability policies

RoHS	: Yes
Conformal Coating	: 3C2

### Dimensions

Size	: C
Height	: 479 mm / 18.8 in
Width	: 220 mm / 8.66 in
Depth	: 293 mm / 11.5 in
Weight	: 17.3 kg / 38.1 lb

### Mechanical installation

Mounting position	: Surface or flange
Fixing screw	: M6
Tightening torque	: 8,5 N.m / 6.27 lb.ft
Allows side-by-side assembly	: Yes, without top cap
Minimum spacing around the inverter	
- Top	: 110 mm / 4.33 in
- Bottom	: 130 mm / 5.12 in
- Front	: 10 mm / 0.39 in
- Side	: 30 mm / 1.18 in

### Electrical connections

Cable gauges and tightening torque:

	Recommended cable gauge to 75 °C (167 °F)	Recommended tightening torque
Power	10,0 mm <sup>2</sup> (8 AWG)	2,7 N.m / 1,99 lb.ft
Braking	6,0 mm <sup>2</sup> (8 AWG)	2,7 N.m / 1,99 lb.ft
Grounding	10,0 mm <sup>2</sup> (8 AWG)	3,5 N.m / 2.58 lb.ft
Control	0,5 to 1,5 mm <sup>2</sup> (20 to 14 AWG)	0,5 N.m / 0.37 lb.ft

### Additional specifications

Maximum breaking current	: 36,4 A
Minimum resistance for the brake resistor	: 22 Ω
Recommended aR fuse	: FNH00-63K-A
Recommended aR fuse	: Not applicable
Recommended circuit breaker	: ACW100H-FMU40-3
Recommended circuit breaker	: Not applicable

### Standards

Safety	<ul style="list-style-type: none"> <li>- UL 508C - Power conversion equipment.</li> <li>- UL 840 - Insulation coordination including clearances and creepage distances for electrical equipment.</li> <li>- EN 61800-5-1 - Safety requirements electrical, thermal and energy.</li> <li>- EN 50178 - Electronic equipment for use in power instalations</li> <li>- EN 60204-1 - Safety of machinery. Electrical equipment of machines. Part 1: General requirements. Note: To have a machine in accordance with this standard, the machine manufacturer is responsible for installing an emergency stop device and supply disconnecting device.</li> <li>- EN 60146 (IEC 146) - Semiconductor converters.</li> </ul>
--------	--

# DATASHEET

## Variable Speed Drives



- EN 61800-2 - Adjustable speed electrical power drive systems - Part 2: General requirements - Rating specifications for low voltage adjustable frequency AC power drive systems.

Electromagnetic compatibility

EN 61800-3 - Adjustable speed electrical power drive systems - Part 3: EMC product standard including specific test methods.  
 - EN 55011 - Limits and methods of measurement of radio disturbance characteristics of industrial, scientific and medical (ISM) radio-frequency equipment.  
 - CISPR 11 - Industrial, scientific and medical (ISM) radio-frequency equipment - Eletromagnetic disturbance characteristics - Limits and methods of measurement.  
 - EN 61000-4-2 - Eletromagnetic compatibility (EMC) - Part 4: Testing and measurement techniques - Section 2: Eletrostatic discharge immunity test.  
 - EN 61000-4-3 - Eletromagnetic compatibility (EMC) - Part4: Testing and measurement techniques - Section 3: Radiated, radio-frequency, electromagnetic field immunity test.  
 - EN 61000-4-4 - Eletromagnetic compatibility (EMC) - Part4: Testing and measurement techniques - Section 4: Electrical fast transient/burst immunity test.  
 - EN 61000-4-5 - Eletromagnetic compatibility (EMC) - Part4: Testing and measurement techniques - Section 5: Surge immunity test.  
 - EN 61000-4-6 - Eletromagnetic compatibility (EMC) - Part4: Testing and measurement techniques - Section 6: Immunity to conducted disturbances, induced by radio-frequency fields.

Mechanical construction

- EN 60529 - Degrees of protection provided by enclosures (IP code).  
 - UL 50 - Enclosures for electrical equipment.  
 - EN 60529 e UL 50

### Certifications

#### Notes

- 1) Orientative motor power, valid for WEG Motors standard of IV poles. The correct sizing must be done according to the nominal current of the motor used, which must be less than or equal to the rated output current of the inverter;
- 2) Braking resistor is not included;
- 3) With category for emission level conducted;
- 4) Without derating and with minimum spaces;
- 5) For temperatures above the nominal and maximum temperature (with derating of current and minimum spaces);
- 6) For altitude over of specified;
- 7) All images are merely illustrative;
- 8) For more information, see the users manual of the CFW-11 (size C).

1

2

3

4

5

6

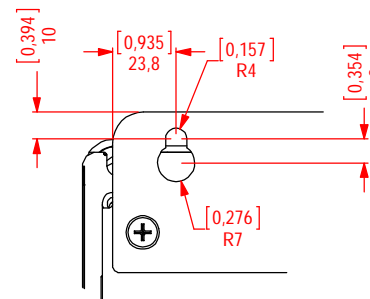
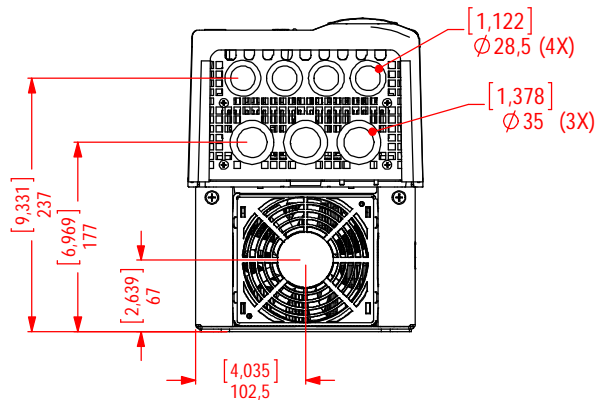
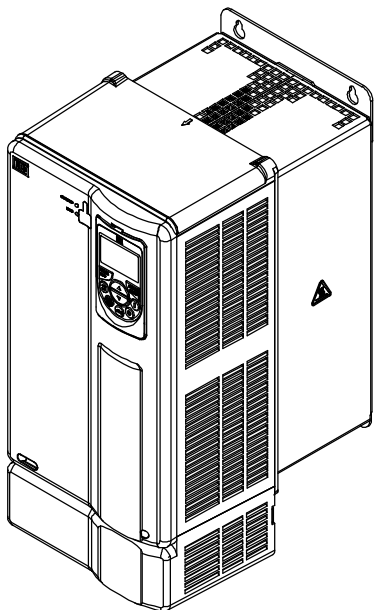
A

B

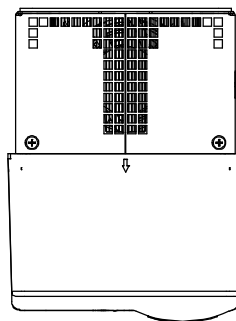
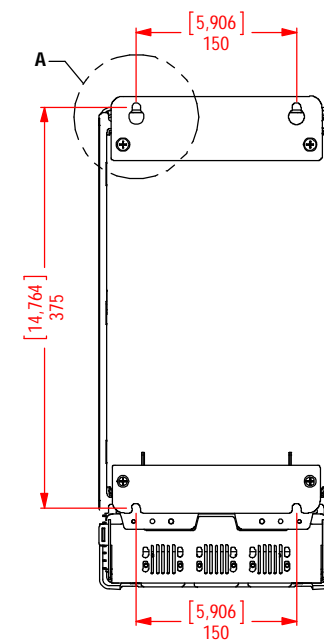
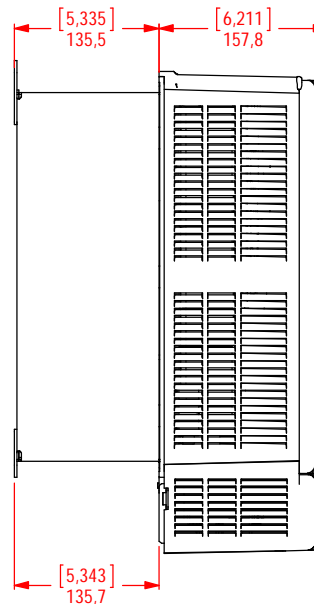
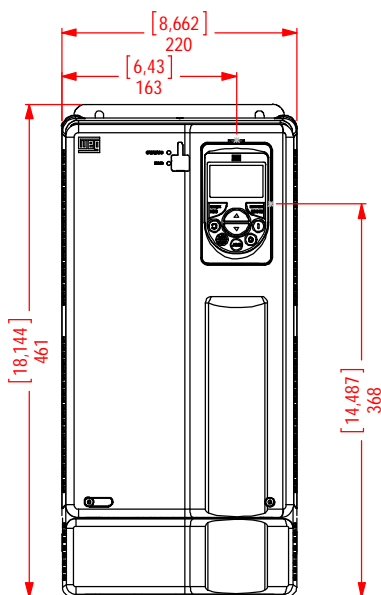
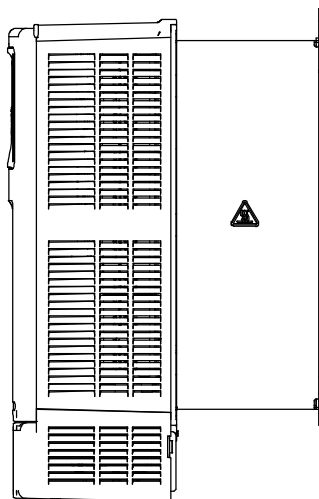
C

D

E



DETALHE A  
ESCALA 1 : 2



MASSA BRUTA/GROSS WEIGHT		kg	MASSA LÍQUIDA/NET WEIGHT		kg	ESCALA/SCALE			
ECM	LOC		EXECUTADO EXECUTED	VERIFICADO CHECKED	LIBERADO RELEASED	DATA DATE	VER		
EXEC									
VERIF/CHECKED									
LIBER/RELEASED									
DT LIBER/REL DT									
RESUMO DE MODIFICAÇÕES SUMMARY OF MODIFICATIONS			10003582365						
CFW 11 / CFW 700									
MEC / SIZE C									
NEMA 1									
			FOL/SHEET			1 / 1			

