

DATA SHEET



Three Phase Induction Motor - Squirrel Cage

Customer :																			
Product line	: W21 Explosion-proof Motor NEMA Premium Efficiency Three-Phase																		
Product code :	14284314																		
Catalog # :	00536XT3E184TC																		
Frame : 182/4TC Output : 5 HP (3.7 kW) Poles : 2 Frequency : 60 Hz Rated voltage : 230/460 V Rated current : 12.2/6.10 A L. R. Amperes : 91.5/45.7 A LRC : 7.5x(Code J) No load current : 4.40/2.20 A Rated speed : 3490 rpm Slip : 3.06 % Rated torque : 1.04 kgfm Locked rotor torque : 250 % Breakdown torque : 380 % Insulation class : F Service factor : 1.15 Moment of inertia (J) : 0.0080 kgm ² Design : B	Locked rotor time : 46s (cold) 26s (hot) Temperature rise : 80 K Duty cycle : Cont.(S1) Ambient temperature : -20°C to +40°C Altitude : 1000 m.a.s.l. Protection degree : IP55 Cooling method : IC411 - TEFC Mounting : F-1 Rotation ¹ : Both (CW and CCW) Noise level ² : 69.0 dB(A) Starting method : Direct On Line Approx. weight ³ : 60.5 kg																		
Output	25% 50% 75% 100%																		
Efficiency (%)	84.3 85.5 87.5 88.5																		
Power Factor	0.47 0.70 0.81 0.86																		
Foundation loads																			
Max. traction : 59 kgf																			
Max. compression : 120 kgf																			
	<table border="0"> <tr> <td></td> <td style="text-align: center;"><u>Drive end</u></td> <td style="text-align: center;"><u>Non drive end</u></td> </tr> <tr> <td>Bearing type :</td> <td style="text-align: center;">6307 2RS</td> <td style="text-align: center;">6206 2RS</td> </tr> <tr> <td>Sealing :</td> <td style="text-align: center;">Oil Seal</td> <td style="text-align: center;">Lip Seal</td> </tr> <tr> <td>Lubrication interval :</td> <td style="text-align: center;">-</td> <td style="text-align: center;">-</td> </tr> <tr> <td>Lubricant amount :</td> <td style="text-align: center;">-</td> <td style="text-align: center;">-</td> </tr> <tr> <td>Lubricant type :</td> <td colspan="2" style="text-align: center;">Mobil Polyrex EM</td> </tr> </table>		<u>Drive end</u>	<u>Non drive end</u>	Bearing type :	6307 2RS	6206 2RS	Sealing :	Oil Seal	Lip Seal	Lubrication interval :	-	-	Lubricant amount :	-	-	Lubricant type :	Mobil Polyrex EM	
	<u>Drive end</u>	<u>Non drive end</u>																	
Bearing type :	6307 2RS	6206 2RS																	
Sealing :	Oil Seal	Lip Seal																	
Lubrication interval :	-	-																	
Lubricant amount :	-	-																	
Lubricant type :	Mobil Polyrex EM																		
Notes USABLE @208V 13.5A SF 1.15 SFA 15.5A																			
This revision replaces and cancel the previous one, which must be eliminated. (1) Looking the motor from the shaft end. (2) Measured at 1m and with tolerance of +3dB(A). (3) Approximate weight subject to changes after manufacturing process. (4) At 100% of full load.																			
These are average values based on tests with sinusoidal power supply, subject to the tolerances stipulated in NEMA MG-1.																			
Rev.	Changes Summary	Performed	Checked	Date															
Performed by																			
Checked by			Page	Revision															
Date	01/10/2020		1 / 2																

DATA SHEET

Three Phase Induction Motor - Squirrel Cage



Customer : _____

Thermal protection

ID	Application	Type	Quantity	Sensing Temperature
1	Winding	Thermostat - 2 wires	1 x Phase	155 °C

Rev.	Changes Summary	Performed	Checked	Date
Performed by		Page 2 / 2		Revision
Checked by				
Date	01/10/2020			

MADE IN BRAZIL


W21X NEMA
Premium

14284314

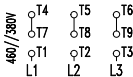
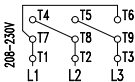
CC029A

Inverter Duty Motor
Severe Duty


LISTED

MODEL 00536XT3E184TC

PH 3	FR 182/4TC		
HP(kW) 5.0(3.7)		HZ 60	IP55
V 230/460		A 12.2/6.10	
RPM 3490		NEMA NOM EFF 88.5%	
PF 0.86		SFA 14.0/7.01	DES B
INS CL F Δ T 80 K		SF 1.15	ENCL TEFC
DUTY CONT.		CODE J	ALT 1000 m.a.s.l.
AMB 40°C	USABLE @208V	13.5 A	SF 1.15 SFA 15.5
AMB 55°C SF1.0			
5.0HP 3.7kW 50Hz 380V 7.30A 2850RPM SF1.00 EFF 86.5% (IE2)			



→ 6307-2RS MOBIL POLYREX EM
 → 6206-2RS

134 Lbs



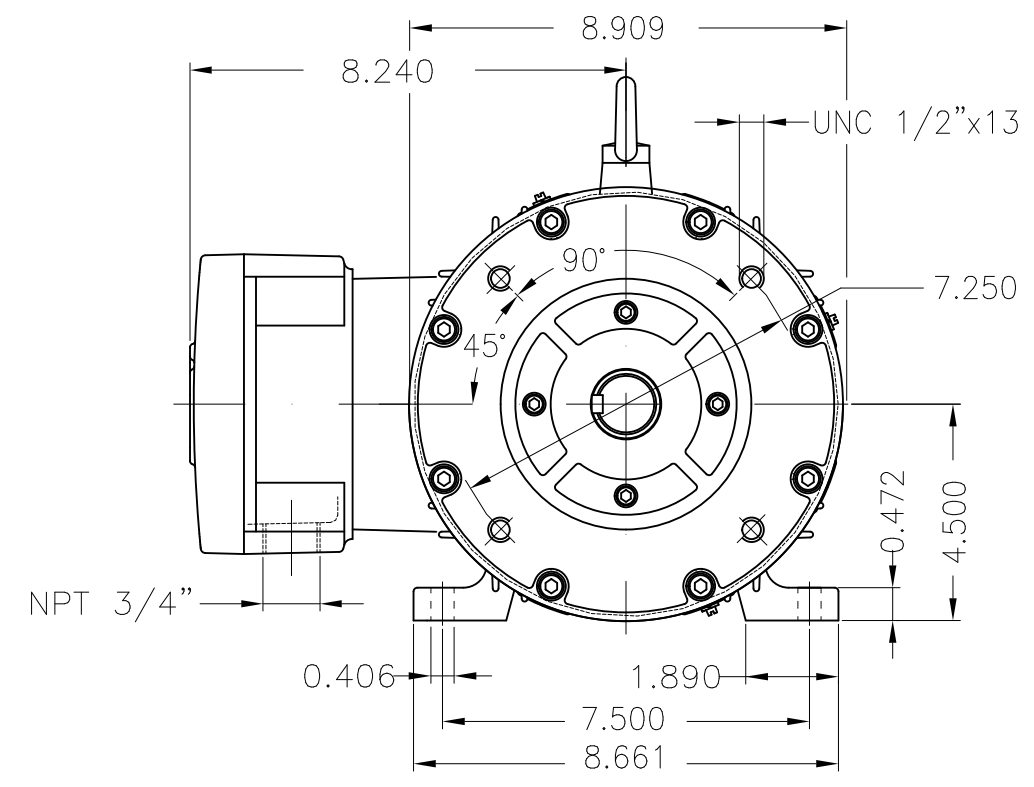
TEMP CODE T3C
 CSA/UL: Class I - Div. 1 - Groups C and D
 CSA: Class II - Div. 1 - Groups F and G
 CSA: Class I - Zone 1 - IIB

EXPLOSION PROOF MOTOR

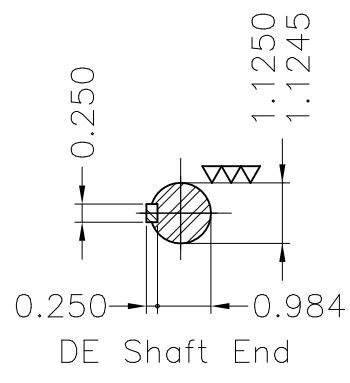
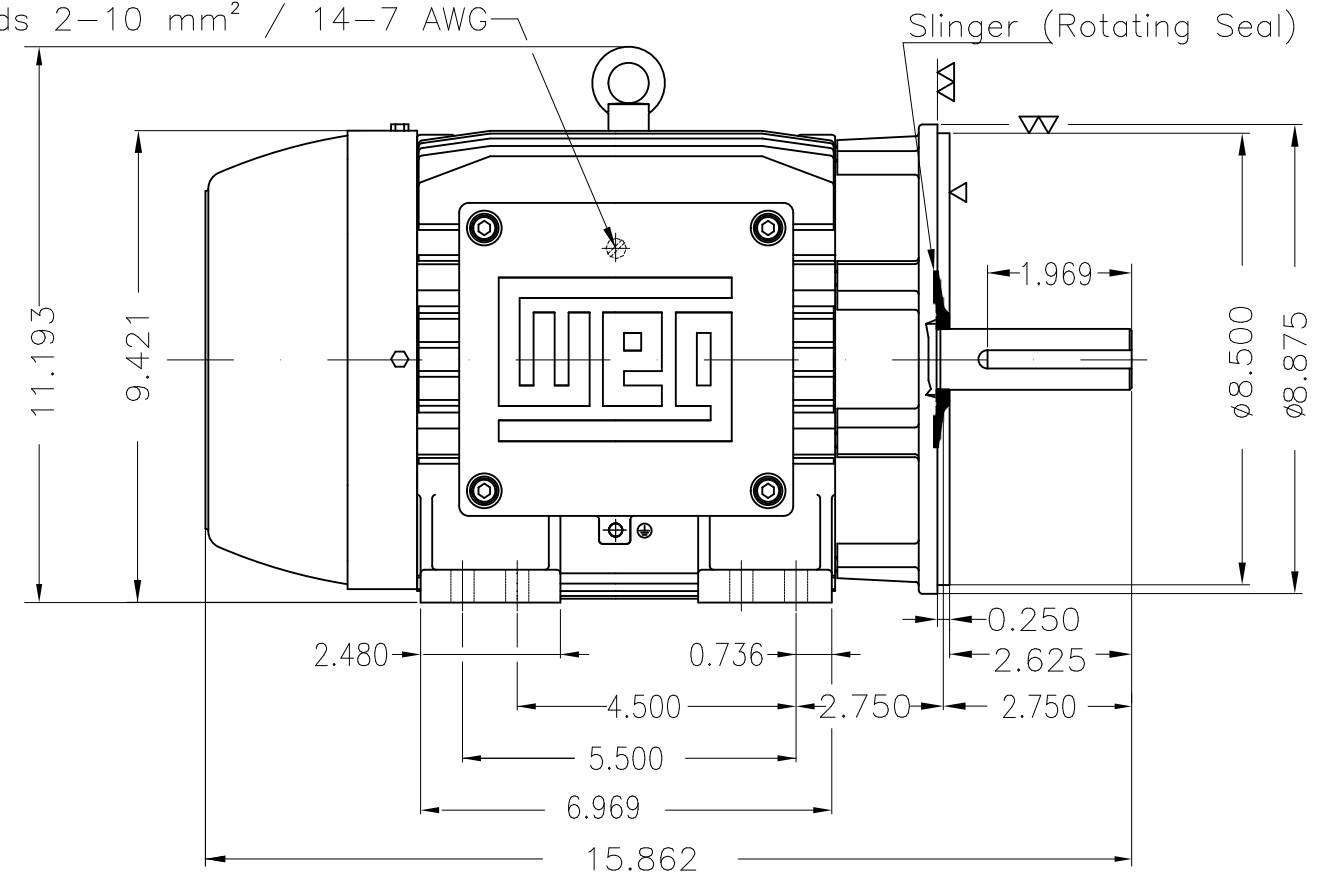
FOR USE ON VPWM VFD 1000:1VT, 20:1CT, 1.0SF, T3C, AMB 40°C.

Dimensões em polegada
Dimensions in inches

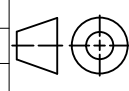
THIS IS AN UPDATED REVISION, THE
PREVIOUS ONE MUST BE DISREGARDED.



Grounding for leads 2-10 mm² / 14-7 AWG



Color RAL 5009
Painting plan 202P
Mounting B34R(D)

ECM	LOC	SUMMARY OF MODIFICATIONS	EXECUTED	CHECKED	RELEASED	DATE	VER
EXECUTED	USERADMIN	 THREE-PHASE EXPLOSION PROOF MOTOR FRAME 182/4TC IP55 TEFC WEG code: 14284314					
CHECKED							
RELEASED							
REL DT	01.10.2020	WMO Jaragua do Sul	Product Engineering	SHEET	1 / 1		

5 HP 02 Poles 60Hz

