

# DATA SHEET

## Three Phase Induction Motor - Squirrel Cage



Customer :	
Product line	: Multimounting IE3 Three-Phase
Product code :	13984018
Catalog # :	00218ET3WAL100LFF-W2
Frame	: 100L
Insulation class	: F
Duty cycle	: S1
Ambient temperature	: -20°C to +40°C
Altitude	: 1000 m.a.s.l.
Protection degree	: IP55
Design	: N
Cooling method	: IC411 - TEFC
Mounting	: B35L(E)
Rotation <sup>1</sup>	: Both (CW and CCW)
Starting method	: Direct On Line
Approx. weight <sup>3</sup>	: 68.1 lb
Moment of inertia (J)	: 0.2136 sq.ft.lb
Output [HP]	3
Poles	4
Frequency [Hz]	60
Rated voltage [V]	460
Rated current [A]	4.11
L. R. Amperes [A]	37.0
LRC [A]	9.0
No load current [A]	2.20
Rated speed [RPM]	1750
Slip [%]	2.78
Rated torque [ft.lb]	9.03
Locked rotor torque [%]	380
Breakdown torque [%]	370
Service factor	1.25
Temperature rise	80 K
Locked rotor time	36s (cold) 20s (hot)
Noise level <sup>2</sup>	54.0 dB(A)
Efficiency (%)	25%
	50%
	75%
	100%
Power Factor	25%
	50%
	75%
	100%
Bearing type	: <u>Drive end</u> 6206 ZZ <u>Non drive end</u> 6205 ZZ
Sealing	: V'Ring V'Ring
Lubrication interval	: - -
Lubricant amount	: - -
Lubricant type	: Mobil Polyrex EM
Foundation loads	Max. traction : 273 lb
	Max. compression : 341 lb
Notes	
This revision replaces and cancel the previous one, which must be eliminated. (1) Looking the motor from the shaft end. (2) Measured at 1m and with tolerance of +3dB(A). (3) Approximate weight subject to changes after manufacturing process. (4) At 100% of full load.	
These are average values based on tests with sinusoidal power supply, subject to the tolerances stipulated in NEMA MG-1.	
Rev.	Changes Summary
Performed by	Performed
Checked by	Checked
Date	21/06/2021
Page	1 / 17
Revision	

# TORQUE AND CURRENT VS SPEED CURVE

Three Phase Induction Motor - Squirrel Cage



Customer :

Product line : Multimounting IE3 Three-Phase

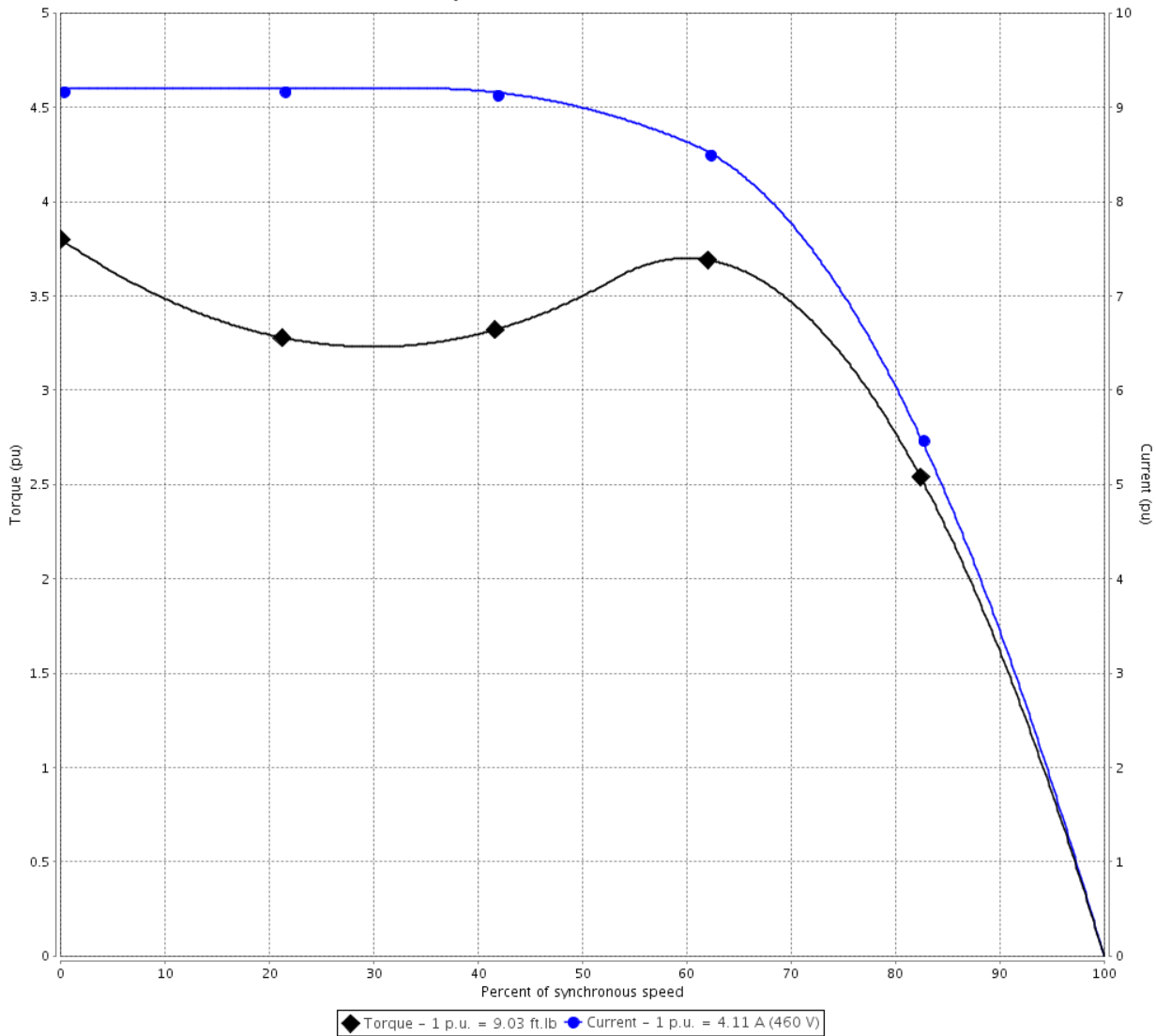
Product code :

13984018

Catalog # :

00218ET3WAL100LFF-W2

TORQUE AND CURRENT VS SPEED CURVE



Performance : 460 V 60 Hz 4P

Rated current	: 4.11 A	Moment of inertia (J)	: 0.2136 sq.ft.lb
LRC	: 9.0	Duty cycle	: S1
Rated torque	: 9.03 ft.lb	Insulation class	: F
Locked rotor torque	: 380 %	Service factor	: 1.25
Breakdown torque	: 370 %	Temperature rise	: 80 K
Rated speed	: 1750 rpm	Design	: N

Locked rotor time : 36s (cold) 20s (hot)

Rev.	Changes Summary	Performed	Checked	Date
Performed by			Page 2 / 17	Revision
Checked by				
Date	21/06/2021			

# TORQUE AND CURRENT VS SPEED CURVE



## Three Phase Induction Motor - Squirrel Cage

Customer : \_\_\_\_\_

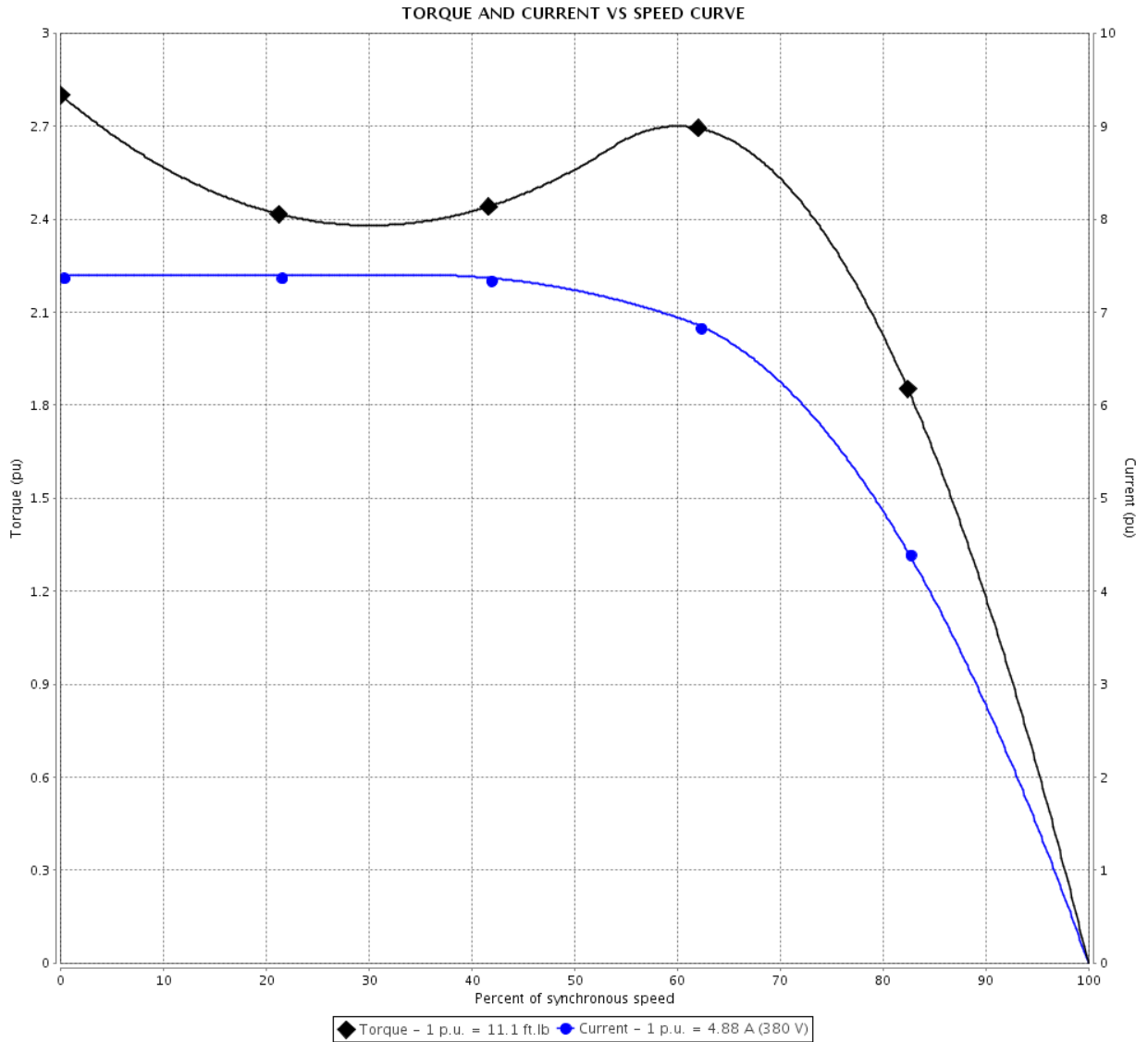
Product line : Multimounting IE3 Three-Phase

Product code :

13984018

Catalog # :

00218ET3WAL100LFF-W2



Performance : 220/380 V 50 Hz 4P IE3

Rated current : 8.43/4.88 A  
 LRC : 7.4  
 Rated torque : 11.1 ft.lb  
 Locked rotor torque : 280 %  
 Breakdown torque : 300 %  
 Rated speed : 1430 rpm

Moment of inertia (J) : 0.2136 sq.ft.lb  
 Duty cycle : S1  
 Insulation class : F  
 Service factor : 1.00  
 Temperature rise : 80 K  
 Design : N

Locked rotor time : 32s (cold) 18s (hot)

Rev.	Changes Summary	Performed	Checked	Date
Performed by			Page 3 / 17	Revision
Checked by				
Date	21/06/2021			

# TORQUE AND CURRENT VS SPEED CURVE

Three Phase Induction Motor - Squirrel Cage



Customer :

Product line : Multimounting IE3 Three-Phase

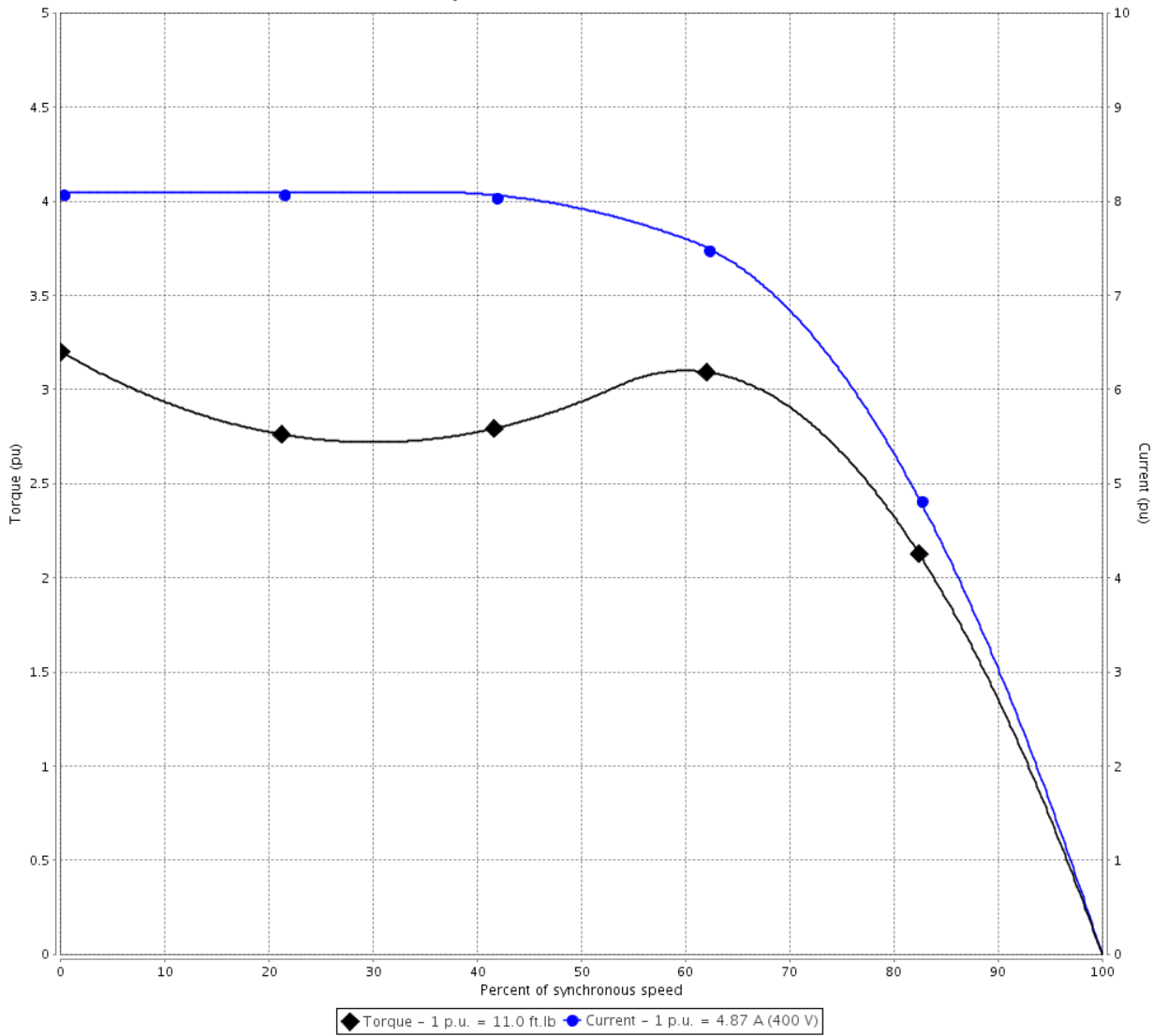
Product code :

13984018

Catalog # :

00218ET3WAL100LFF-W2

TORQUE AND CURRENT VS SPEED CURVE



Performance : 400 V 50 Hz 4P IE3

Rated current	: 4.87 A	Moment of inertia (J)	: 0.2136 sq.ft.lb
LRC	: 8.1	Duty cycle	: S1
Rated torque	: 11.0 ft.lb	Insulation class	: F
Locked rotor torque	: 350 %	Service factor	: 1.00
Breakdown torque	: 340 %	Temperature rise	: 80 K
Rated speed	: 1435 rpm	Design	: N

Locked rotor time : 32s (cold) 18s (hot)

Rev.	Changes Summary	Performed	Checked	Date
Performed by			Page 4 / 17	Revision
Checked by				
Date	21/06/2021			

# TORQUE AND CURRENT VS SPEED CURVE



## Three Phase Induction Motor - Squirrel Cage

Customer :

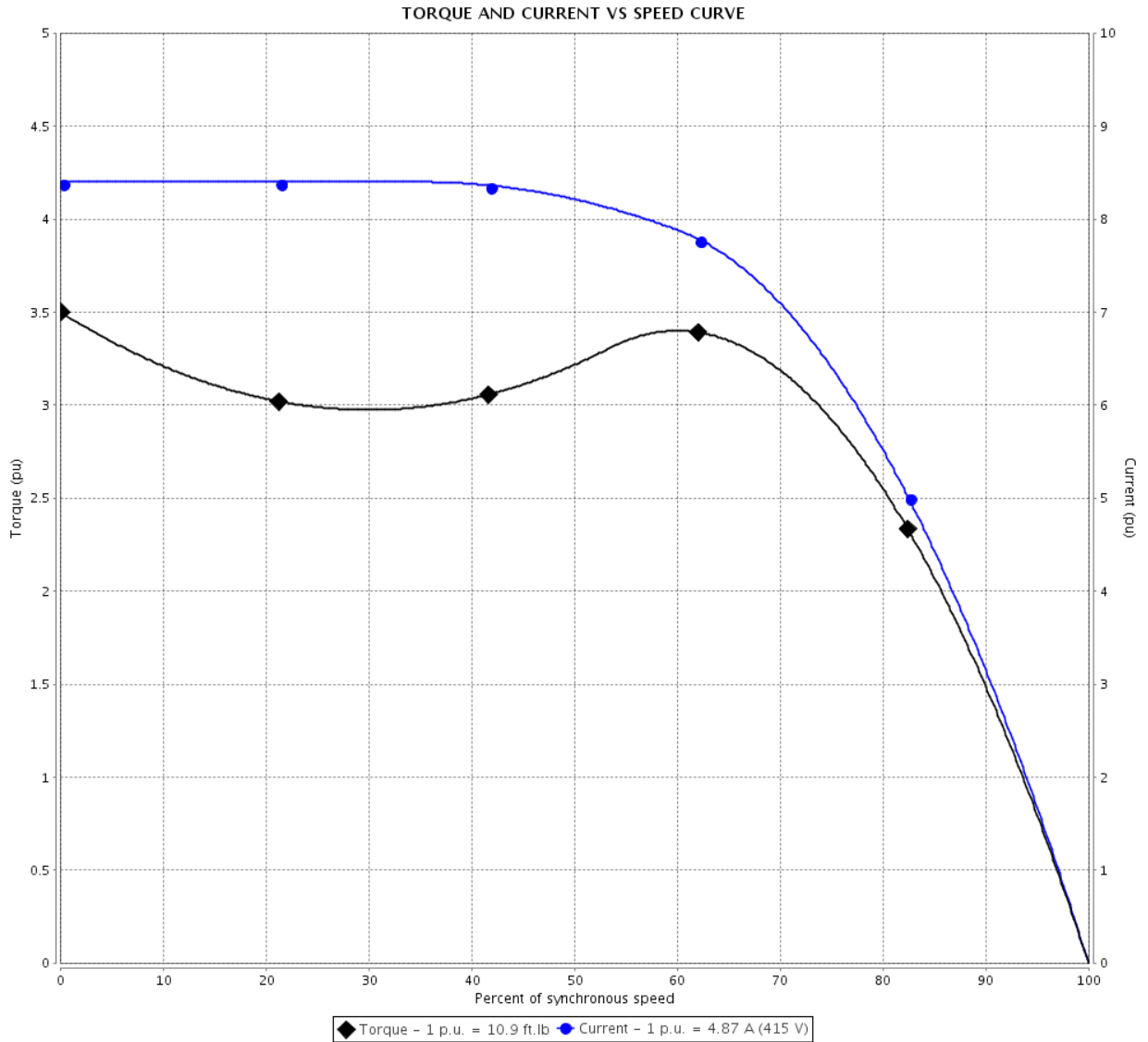
Product line : Multimounting IE3 Three-Phase

Product code :

13984018

Catalog # :

00218ET3WAL100LFF-W2



Performance : 240/415 V 50 Hz 4P IE3

Rated current : 8.42/4.87 A  
 LRC : 8.4  
 Rated torque : 10.9 ft.lb  
 Locked rotor torque : 380 %  
 Breakdown torque : 370 %  
 Rated speed : 1445 rpm

Moment of inertia (J) : 0.2136 sq.ft.lb  
 Duty cycle : S1  
 Insulation class : F  
 Service factor : 1.00  
 Temperature rise : 80 K  
 Design : N

Locked rotor time : 32s (cold) 18s (hot)

Rev.	Changes Summary	Performed	Checked	Date
Performed by			Page 5 / 17	Revision
Checked by				
Date	21/06/2021			

# LOAD PERFORMANCE CURVE

Three Phase Induction Motor - Squirrel Cage



Customer : \_\_\_\_\_

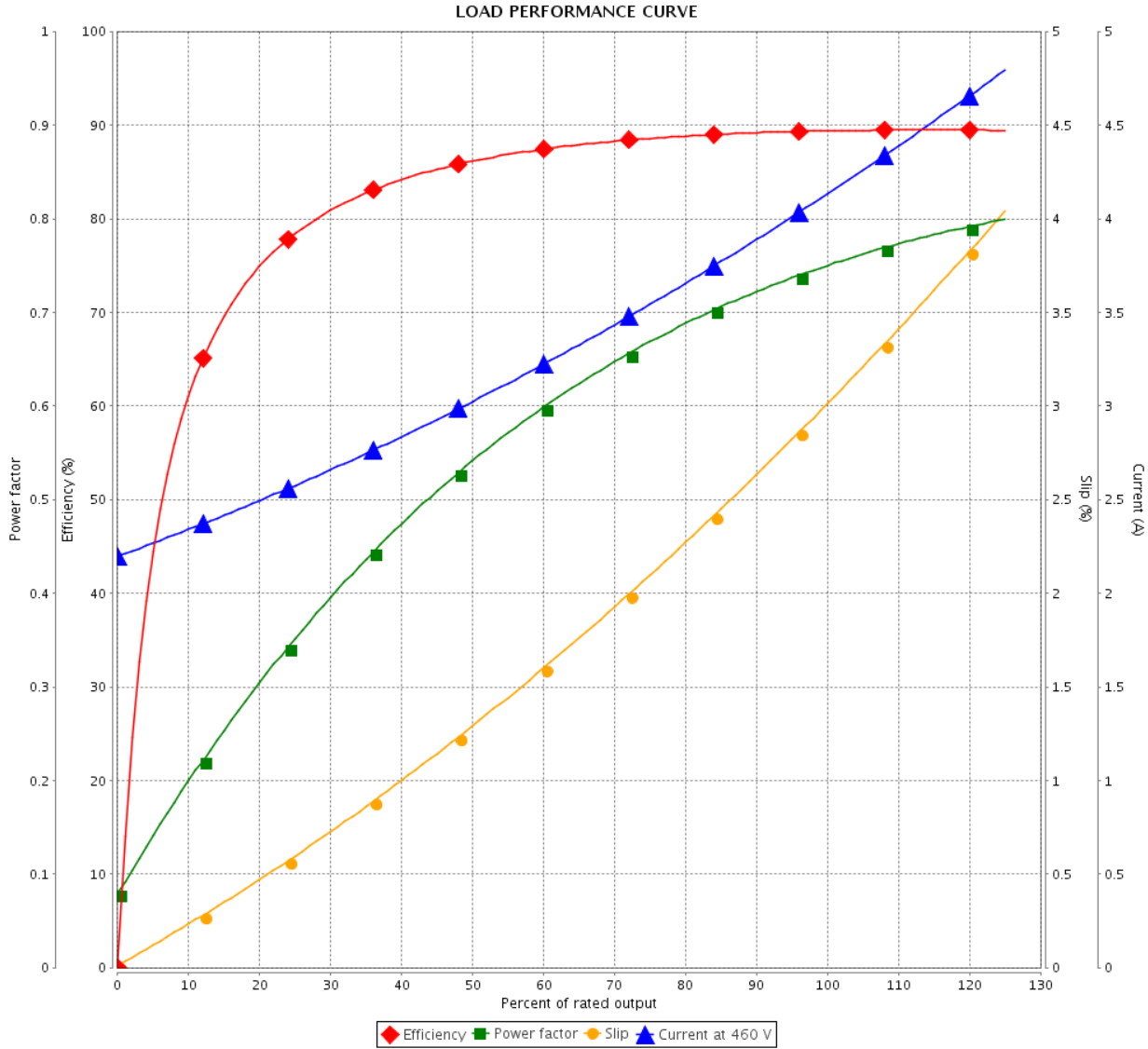
Product line : Multimounting IE3 Three-Phase

Product code :

13984018

Catalog # :

00218ET3WAL100LFF-W2



Performance : 460 V 60 Hz 4P

Rated current : 4.11 A  
 LRC : 9.0  
 Rated torque : 9.03 ft.lb  
 Locked rotor torque : 380 %  
 Breakdown torque : 370 %  
 Rated speed : 1750 rpm

Moment of inertia (J) : 0.2136 sq.ft.lb  
 Duty cycle : S1  
 Insulation class : F  
 Service factor : 1.25  
 Temperature rise : 80 K  
 Design : N

Rev.	Changes Summary	Performed	Checked	Date
Performed by			Page 6 / 17	Revision
Checked by				
Date	21/06/2021			

# LOAD PERFORMANCE CURVE

## Three Phase Induction Motor - Squirrel Cage



Customer : \_\_\_\_\_

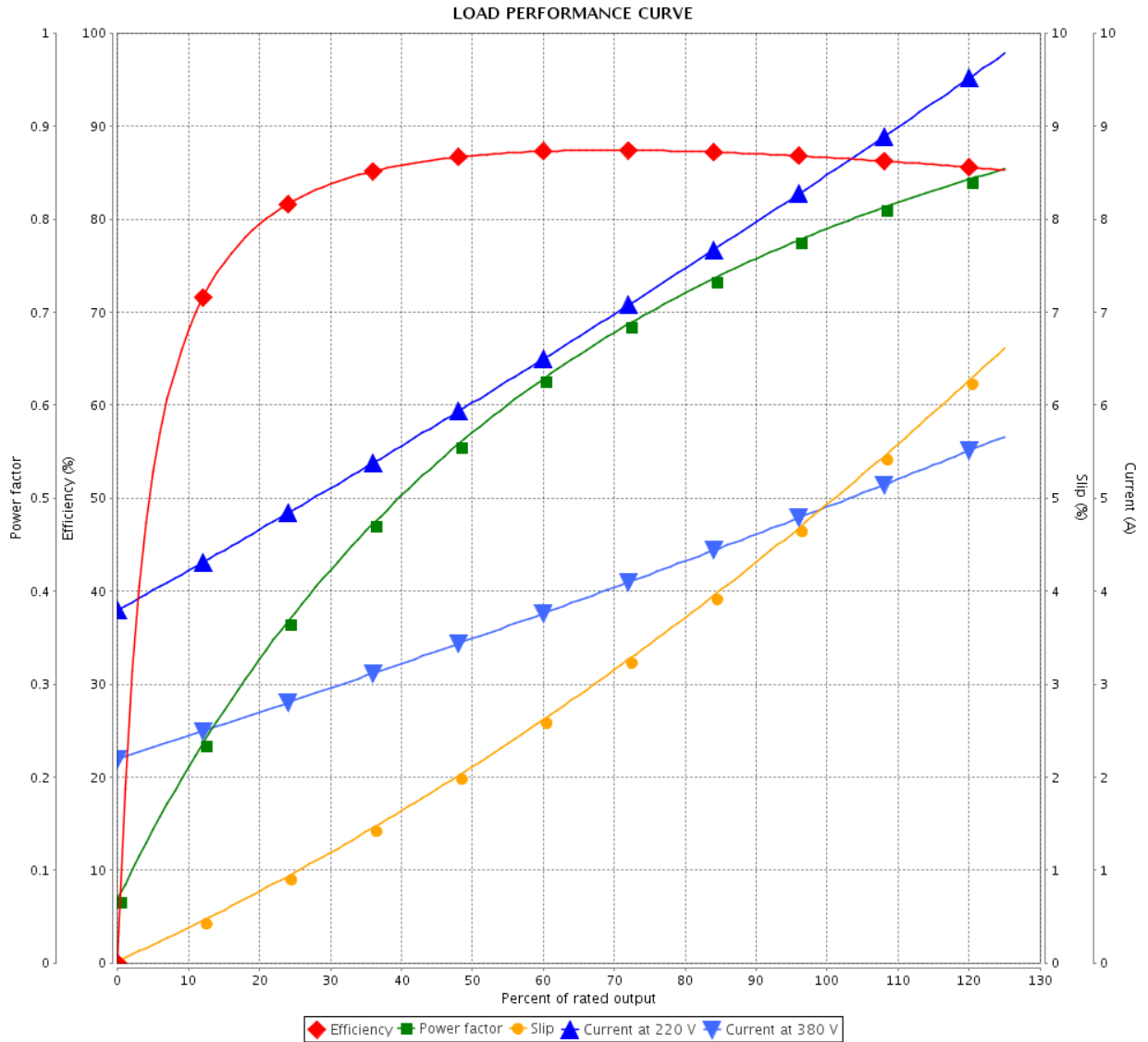
Product line : Multimounting IE3 Three-Phase

Product code :

13984018

Catalog # :

00218ET3WAL100LFF-W2



Performance : 220/380 V 50 Hz 4P IE3

Rated current : 8.43/4.88 A  
 LRC : 7.4  
 Rated torque : 11.1 ft.lb  
 Locked rotor torque : 280 %  
 Breakdown torque : 300 %  
 Rated speed : 1430 rpm

Moment of inertia (J) : 0.2136 sq.ft.lb  
 Duty cycle : S1  
 Insulation class : F  
 Service factor : 1.00  
 Temperature rise : 80 K  
 Design : N

Rev.	Changes Summary	Performed	Checked	Date
Performed by			Page	Revision
Checked by				
Date				

# LOAD PERFORMANCE CURVE

Three Phase Induction Motor - Squirrel Cage



Customer :

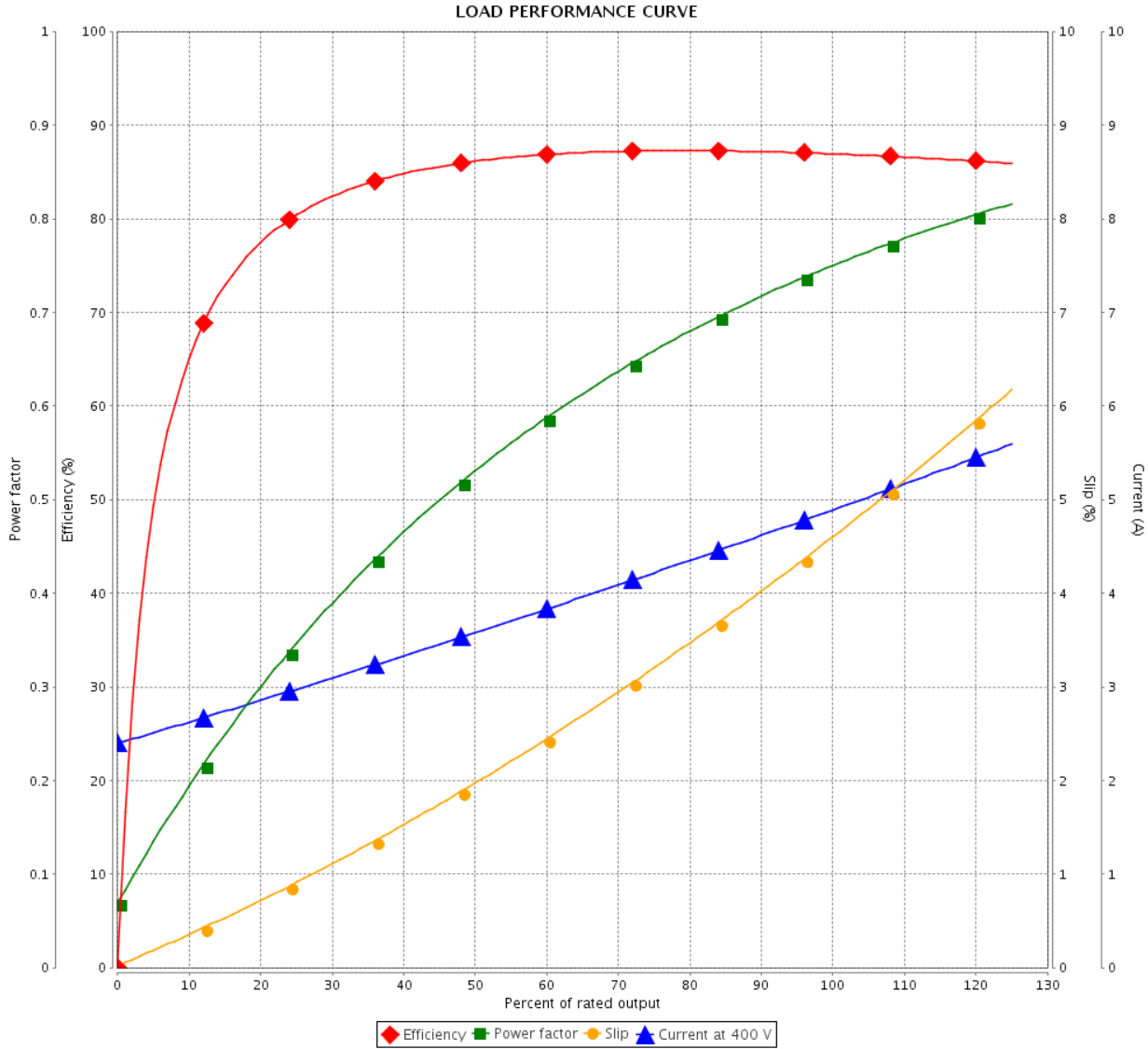
Product line : Multimounting IE3 Three-Phase

Product code :

13984018

Catalog # :

00218ET3WAL100LFF-W2



Performance : 400 V 50 Hz 4P IE3

Rated current : 4.87 A  
 LRC : 8.1  
 Rated torque : 11.0 ft.lb  
 Locked rotor torque : 350 %  
 Breakdown torque : 340 %  
 Rated speed : 1435 rpm

Moment of inertia (J) : 0.2136 sq.ft.lb  
 Duty cycle : S1  
 Insulation class : F  
 Service factor : 1.00  
 Temperature rise : 80 K  
 Design : N

Rev.	Changes Summary	Performed	Checked	Date
Performed by			Page 8 / 17	Revision
Checked by				
Date	21/06/2021			



# LOAD PERFORMANCE CURVE

## Three Phase Induction Motor - Squirrel Cage



Customer : \_\_\_\_\_

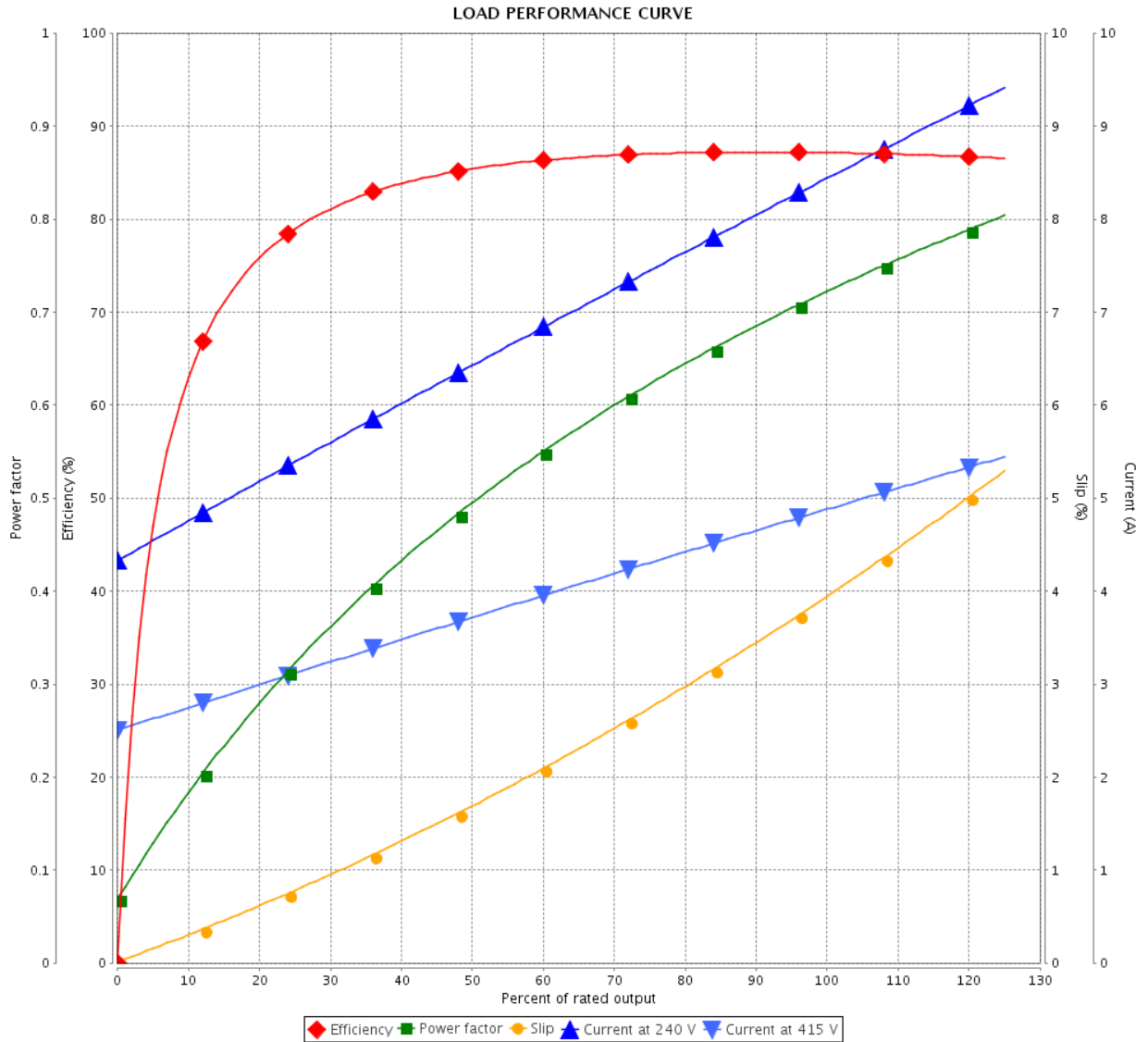
Product line : Multimounting IE3 Three-Phase

Product code :

13984018

Catalog # :

00218ET3WAL100LFF-W2



Performance : 240/415 V 50 Hz 4P IE3

Rated current : 8.42/4.87 A  
 LRC : 8.4  
 Rated torque : 10.9 ft.lb  
 Locked rotor torque : 380 %  
 Breakdown torque : 370 %  
 Rated speed : 1445 rpm

Moment of inertia (J) : 0.2136 sq.ft.lb  
 Duty cycle : S1  
 Insulation class : F  
 Service factor : 1.00  
 Temperature rise : 80 K  
 Design : N

Rev.	Changes Summary	Performed	Checked	Date
Performed by		Page		Revision
Checked by		9 / 17		
Date		21/06/2021		

# THERMAL LIMIT CURVE

## Three Phase Induction Motor - Squirrel Cage



Customer : \_\_\_\_\_

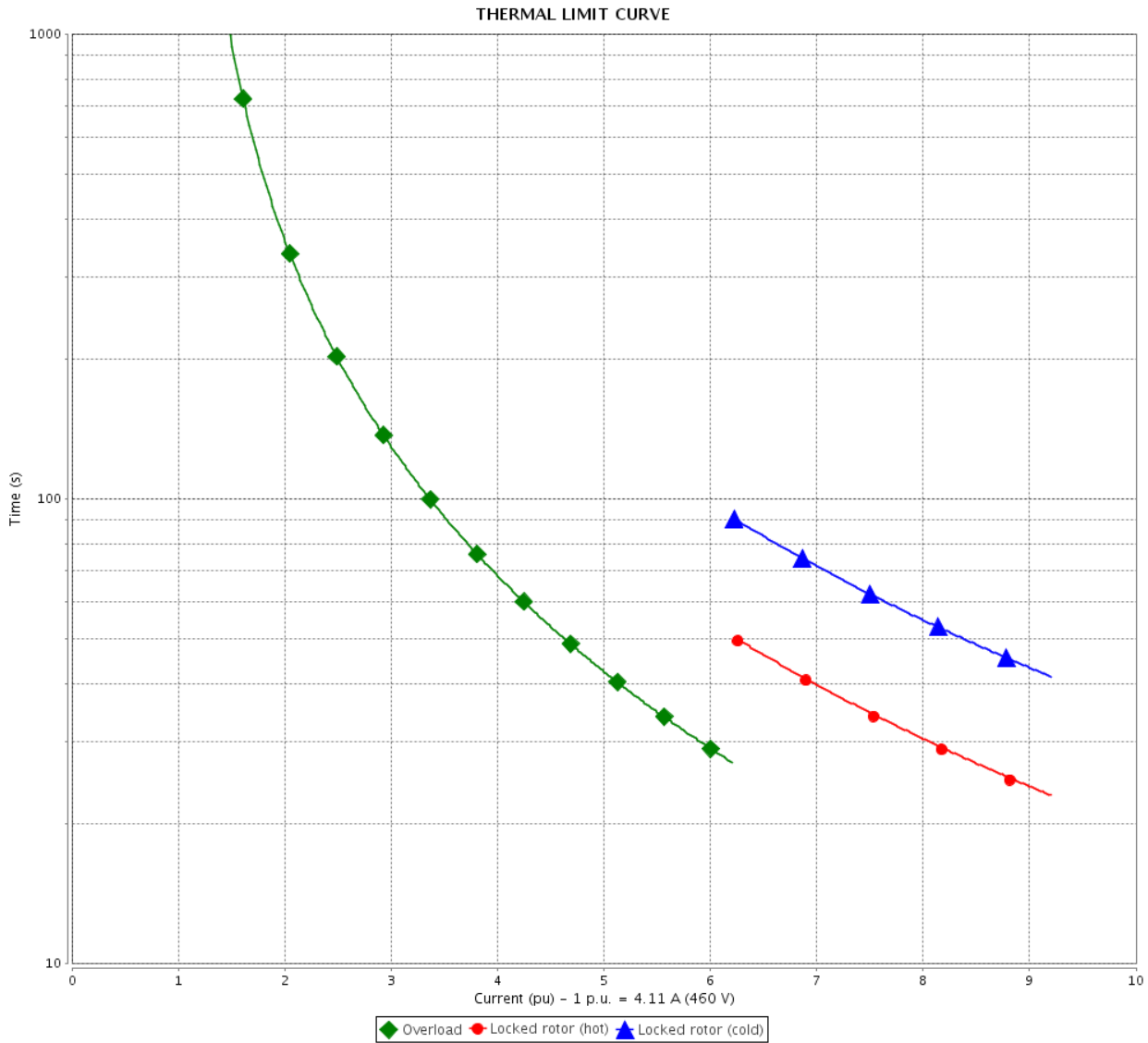
Product line : Multimounting IE3 Three-Phase

Product code :

13984018

Catalog # :

00218ET3WAL100LFF-W2



Performance : 460 V 60 Hz 4P

Rated current : 4.11 A  
 LRC : 9.0  
 Rated torque : 9.03 ft.lb  
 Locked rotor torque : 380 %  
 Breakdown torque : 370 %  
 Rated speed : 1750 rpm

Moment of inertia (J) : 0.2136 sq.ft.lb  
 Duty cycle : S1  
 Insulation class : F  
 Service factor : 1.25  
 Temperature rise : 80 K  
 Design : N

Heating constant

Cooling constant

Rev.	Changes Summary	Performed	Checked	Date
Performed by		Page		Revision
Checked by		10 / 17		
Date		21/06/2021		

# THERMAL LIMIT CURVE

Three Phase Induction Motor - Squirrel Cage



Customer : \_\_\_\_\_

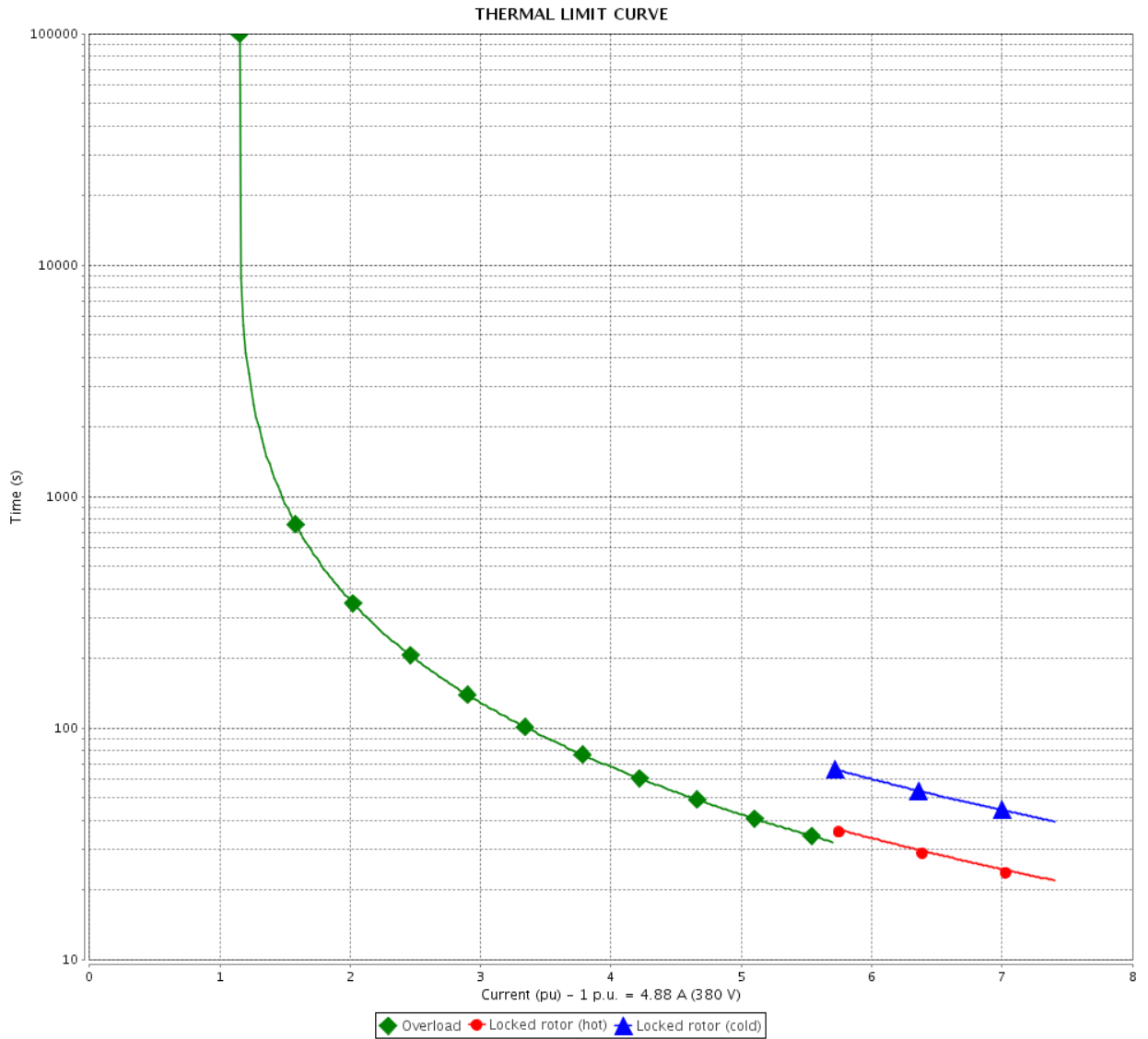
Product line : Multimounting IE3 Three-Phase

Product code :

13984018

Catalog # :

00218ET3WAL100LFF-W2



Performance : 220/380 V 50 Hz 4P IE3

Rated current : 8.43/4.88 A  
 LRC : 7.4  
 Rated torque : 11.1 ft.lb  
 Locked rotor torque : 280 %  
 Breakdown torque : 300 %  
 Rated speed : 1430 rpm

Moment of inertia (J) : 0.2136 sq.ft.lb  
 Duty cycle : S1  
 Insulation class : F  
 Service factor : 1.00  
 Temperature rise : 80 K  
 Design : N

Heating constant

Cooling constant

Rev.	Changes Summary	Performed	Checked	Date
Performed by			Page	Revision
Checked by				
Date				
			11 / 17	

# THERMAL LIMIT CURVE

## Three Phase Induction Motor - Squirrel Cage



Customer :

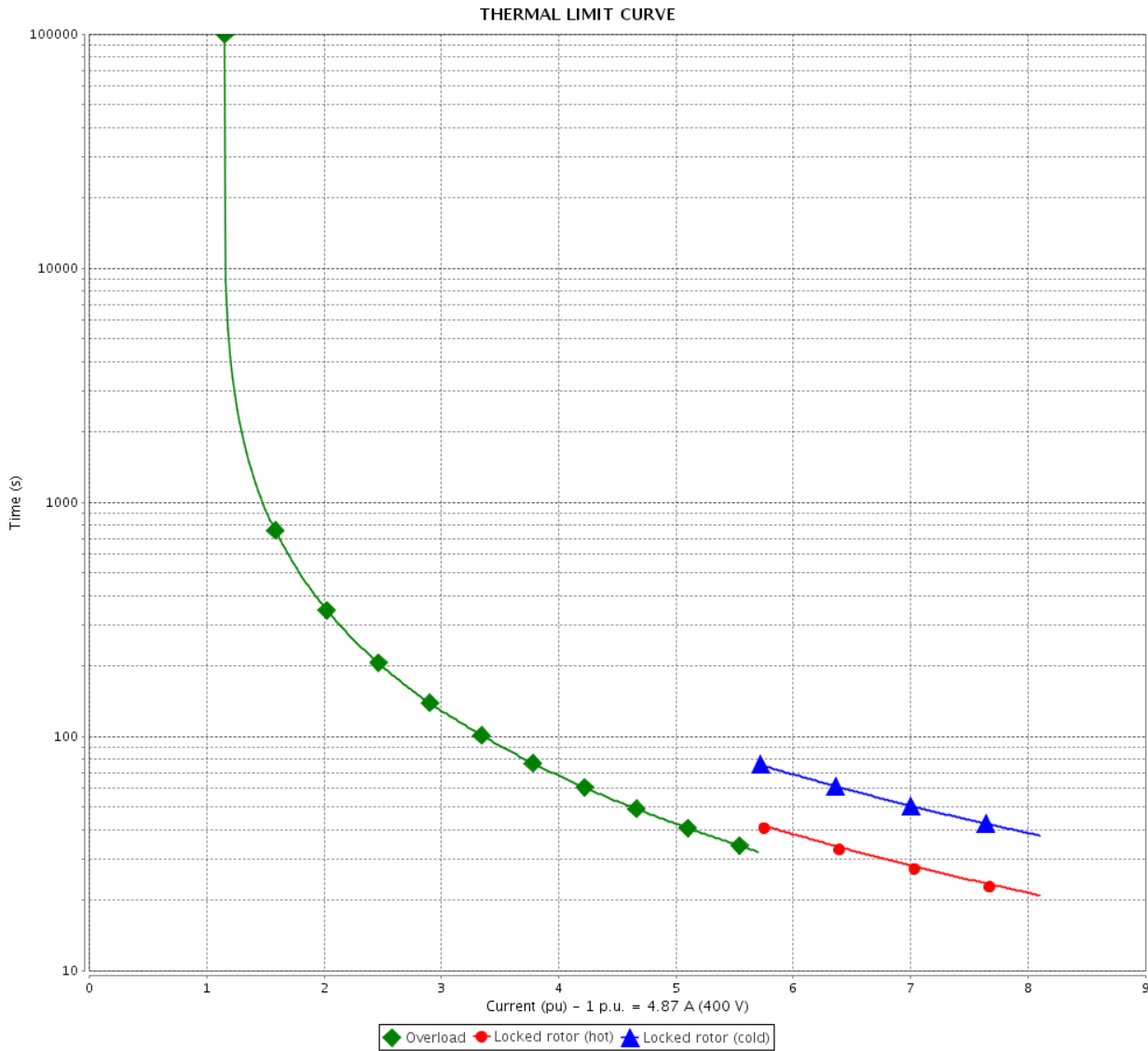
Product line : Multimounting IE3 Three-Phase

Product code :

13984018

Catalog # :

00218ET3WAL100LFF-W2



Performance : 400 V 50 Hz 4P IE3

Rated current : 4.87 A  
 LRC : 8.1  
 Rated torque : 11.0 ft.lb  
 Locked rotor torque : 350 %  
 Breakdown torque : 340 %  
 Rated speed : 1435 rpm

Moment of inertia (J) : 0.2136 sq.ft.lb  
 Duty cycle : S1  
 Insulation class : F  
 Service factor : 1.00  
 Temperature rise : 80 K  
 Design : N

Heating constant

Cooling constant

Rev.	Changes Summary	Performed	Checked	Date
Performed by			Page 12 / 17	Revision
Checked by				
Date	21/06/2021			

# THERMAL LIMIT CURVE

## Three Phase Induction Motor - Squirrel Cage



Customer :

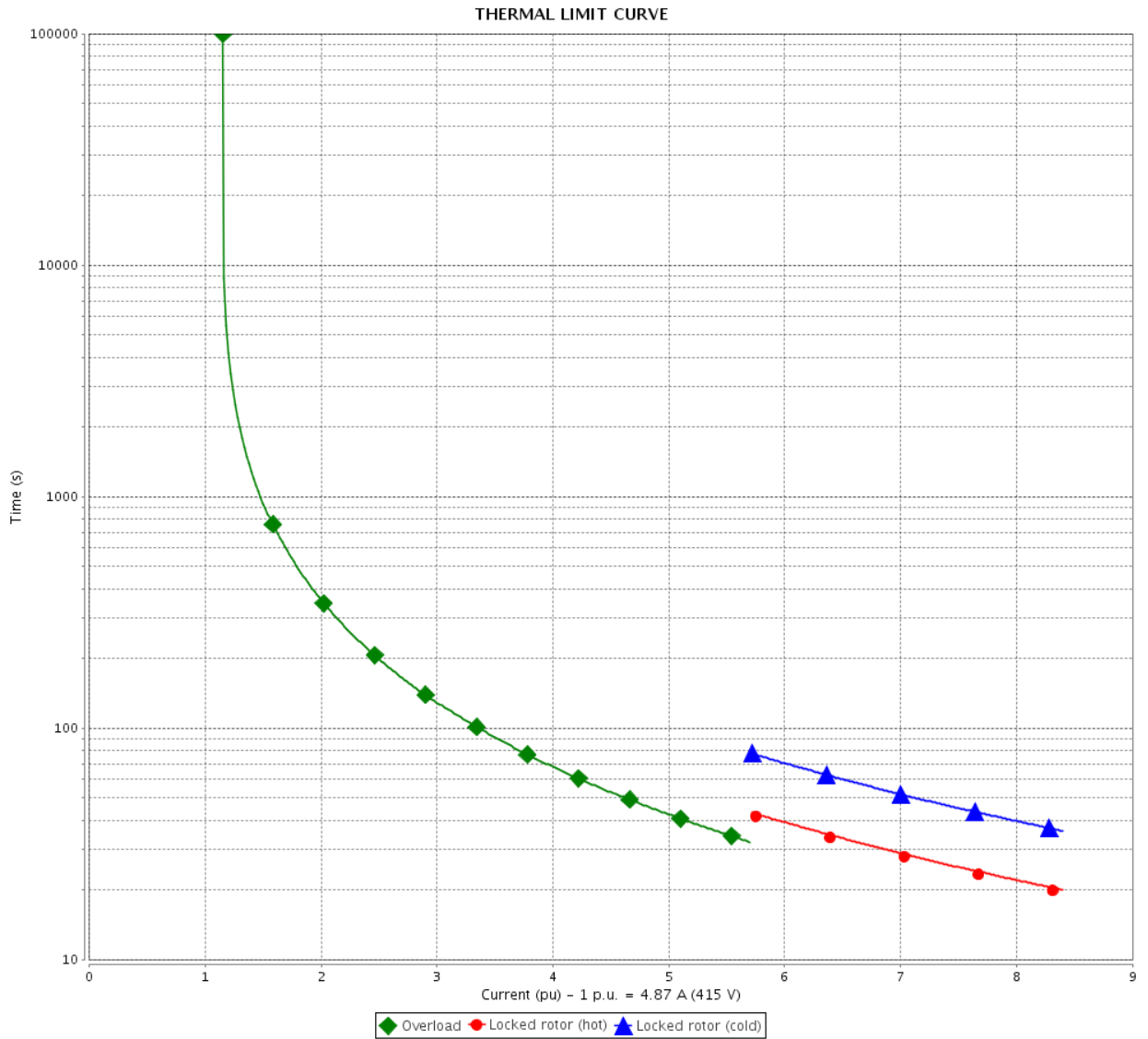
Product line : Multimounting IE3 Three-Phase

Product code :

13984018

Catalog # :

00218ET3WAL100LFF-W2



Performance : 240/415 V 50 Hz 4P IE3

Rated current : 8.42/4.87 A  
 LRC : 8.4  
 Rated torque : 10.9 ft.lb  
 Locked rotor torque : 380 %  
 Breakdown torque : 370 %  
 Rated speed : 1445 rpm

Moment of inertia (J) : 0.2136 sq.ft.lb  
 Duty cycle : S1  
 Insulation class : F  
 Service factor : 1.00  
 Temperature rise : 80 K  
 Design : N

Heating constant

Cooling constant

Rev.	Changes Summary	Performed	Checked	Date
Performed by				
Checked by				
Date				
		Page	Revision	
		13 / 17		

# VFD OPERATION CURVE

Three Phase Induction Motor - Squirrel Cage



Customer : \_\_\_\_\_

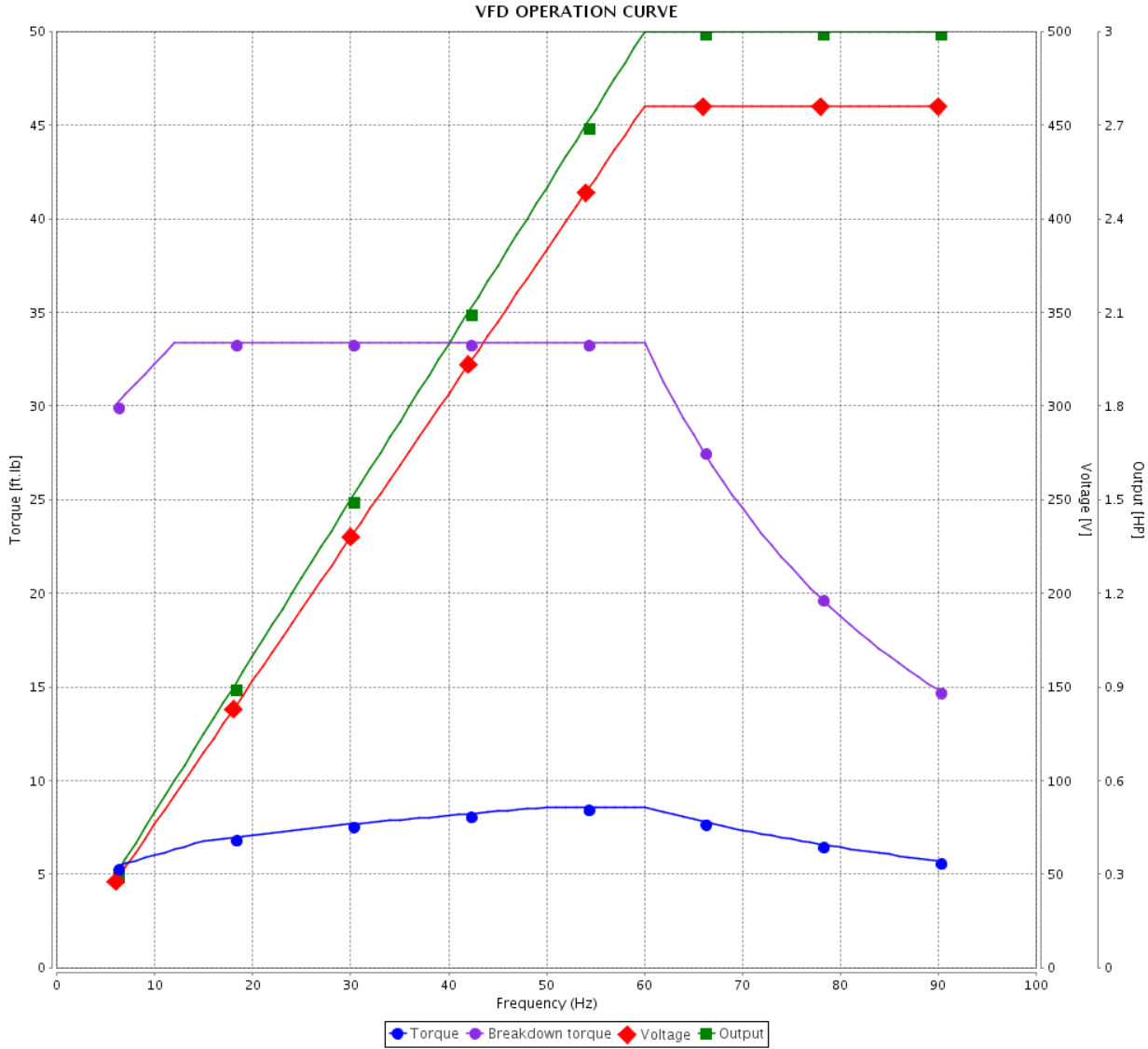
Product line : Multimounting IE3 Three-Phase

Product code :

13984018

Catalog # :

00218ET3WAL100LFF-W2



Performance : 460 V 60 Hz 4P

Rated current : 4.11 A  
 LRC : 9.0  
 Rated torque : 9.03 ft.lb  
 Locked rotor torque : 380 %  
 Breakdown torque : 370 %  
 Rated speed : 1750 rpm

Moment of inertia (J) : 0.2136 sq.ft.lb  
 Duty cycle : S1  
 Insulation class : F  
 Service factor : 1.25  
 Temperature rise : 80 K  
 Design : N

Rev.	Changes Summary	Performed	Checked	Date
Performed by			Page 14 / 17	Revision
Checked by				
Date	21/06/2021			

# VFD OPERATION CURVE

## Three Phase Induction Motor - Squirrel Cage



Customer :

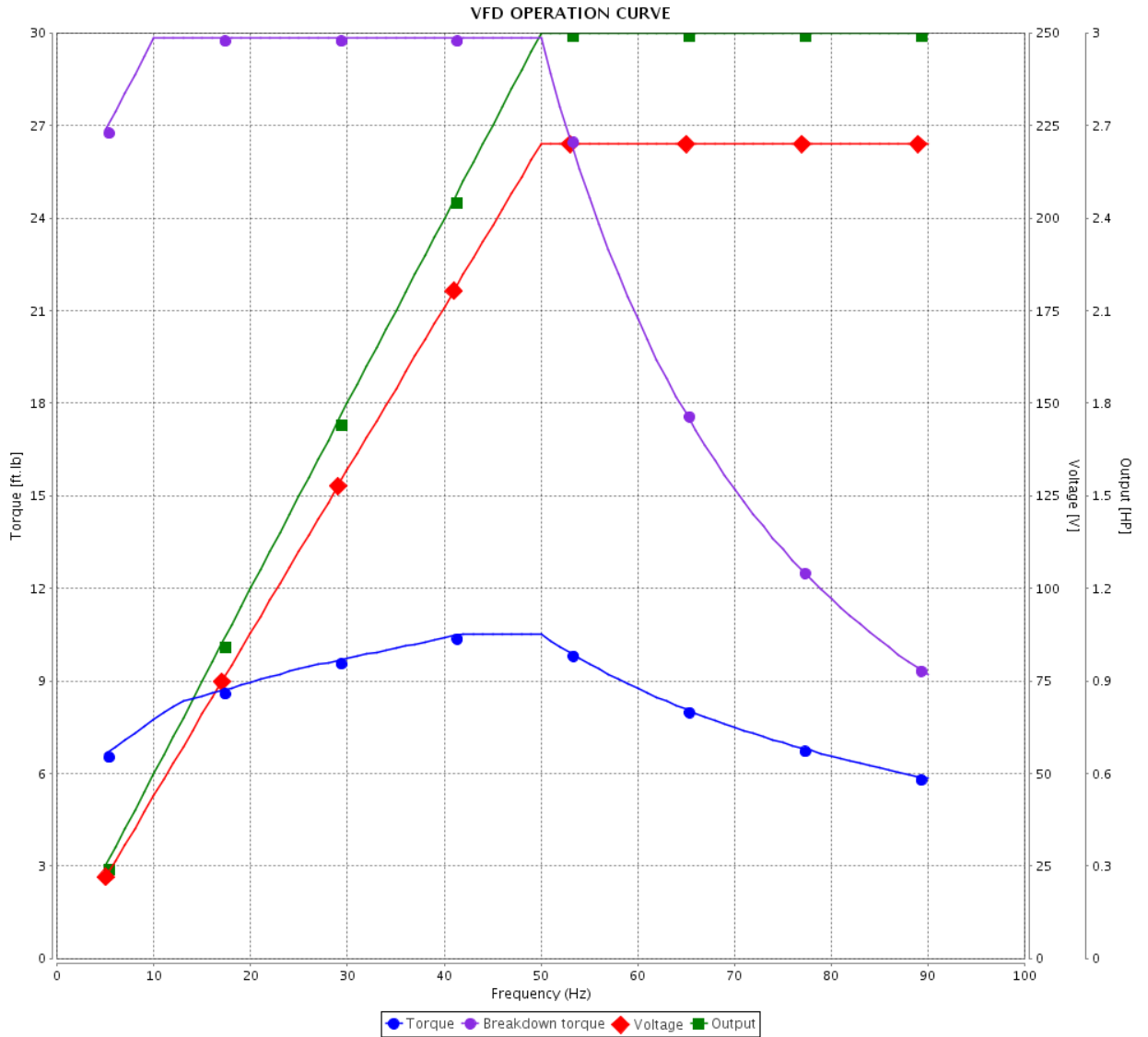
Product line : Multimounting IE3 Three-Phase

Product code :

13984018

Catalog # :

00218ET3WAL100LFF-W2



Performance : 220/380 V 50 Hz 4P IE3

Rated current : 8.43/4.88 A  
 LRC : 7.4  
 Rated torque : 11.1 ft.lb  
 Locked rotor torque : 280 %  
 Breakdown torque : 300 %  
 Rated speed : 1430 rpm

Moment of inertia (J) : 0.2136 sq.ft.lb  
 Duty cycle : S1  
 Insulation class : F  
 Service factor : 1.00  
 Temperature rise : 80 K  
 Design : N

Rev.	Changes Summary	Performed	Checked	Date
Performed by			Page	Revision
Checked by				
Date				
			15 / 17	

# VFD OPERATION CURVE

Three Phase Induction Motor - Squirrel Cage



Customer : \_\_\_\_\_

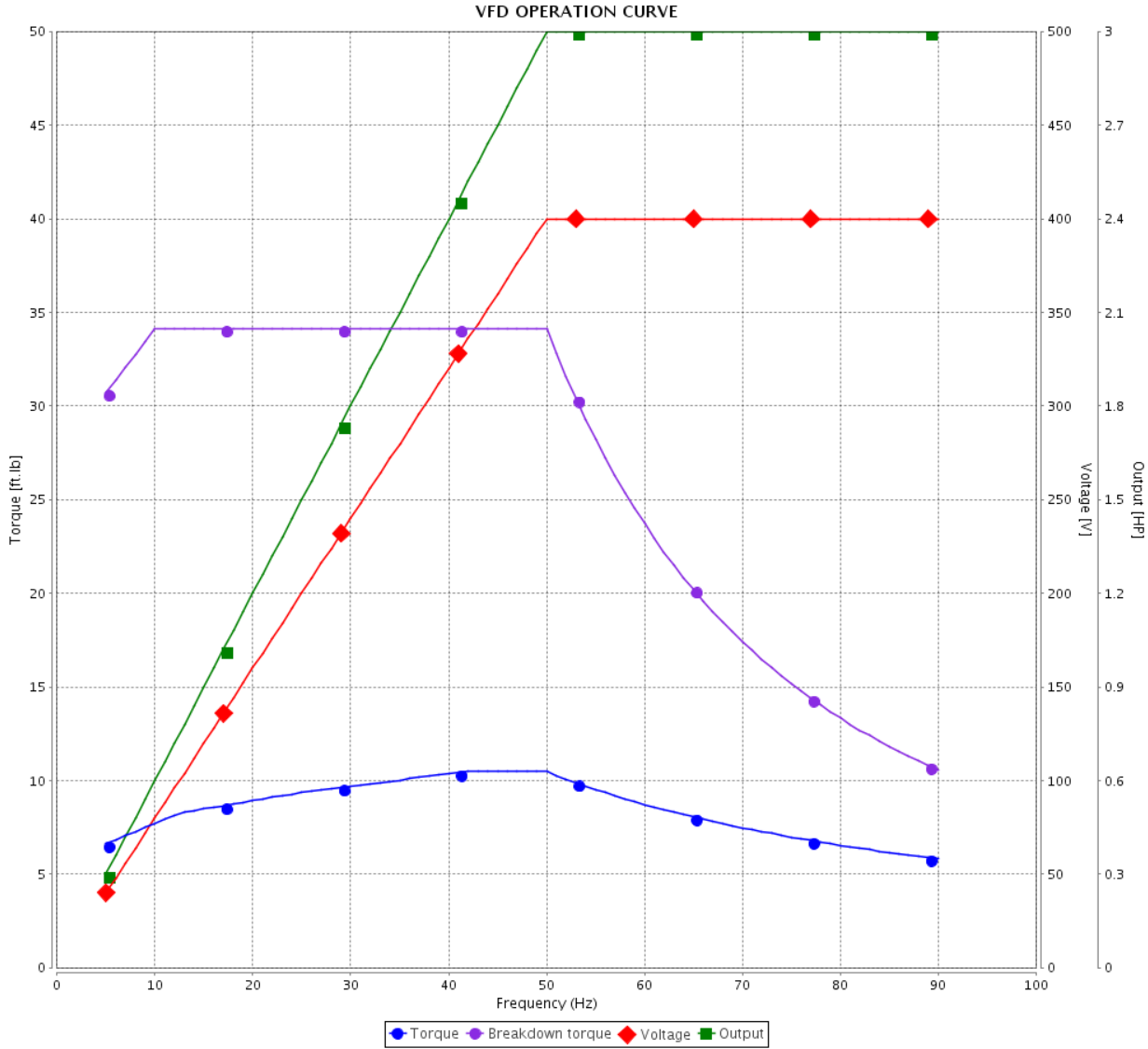
Product line : Multimounting IE3 Three-Phase

Product code :

13984018

Catalog # :

00218ET3WAL100LFF-W2



Performance : 400 V 50 Hz 4P IE3

Rated current : 4.87 A  
 LRC : 8.1  
 Rated torque : 11.0 ft.lb  
 Locked rotor torque : 350 %  
 Breakdown torque : 340 %  
 Rated speed : 1435 rpm

Moment of inertia (J) : 0.2136 sq.ft.lb  
 Duty cycle : S1  
 Insulation class : F  
 Service factor : 1.00  
 Temperature rise : 80 K  
 Design : N

Rev.	Changes Summary	Performed	Checked	Date
Performed by			Page	Revision
Checked by				
Date				



# VFD OPERATION CURVE

Three Phase Induction Motor - Squirrel Cage



Customer : \_\_\_\_\_

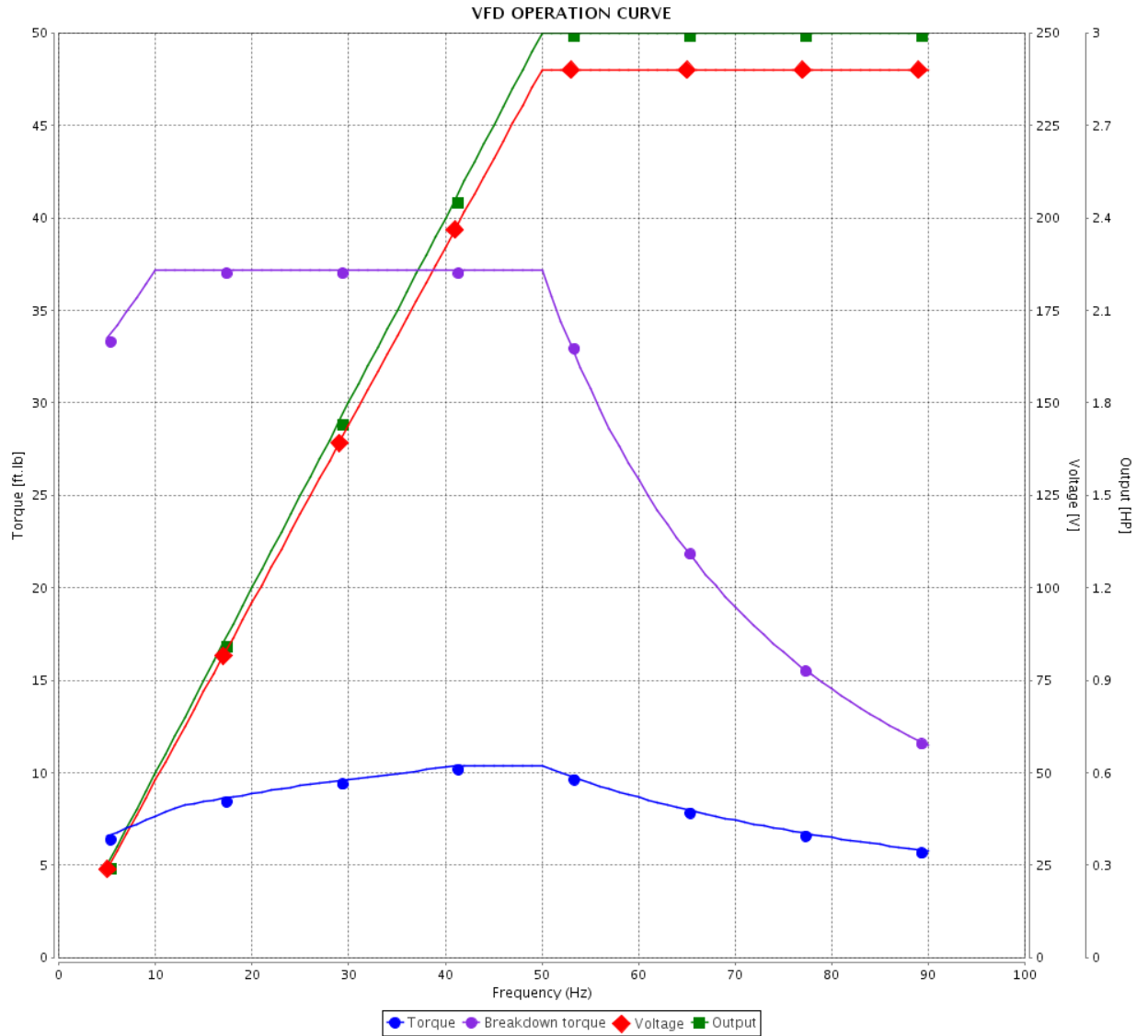
Product line : Multimounting IE3 Three-Phase

Product code :

13984018

Catalog # :

00218ET3WAL100LFF-W2



Performance : 240/415 V 50 Hz 4P IE3

Rated current : 8.42/4.87 A  
 LRC : 8.4  
 Rated torque : 10.9 ft.lb  
 Locked rotor torque : 380 %  
 Breakdown torque : 370 %  
 Rated speed : 1445 rpm

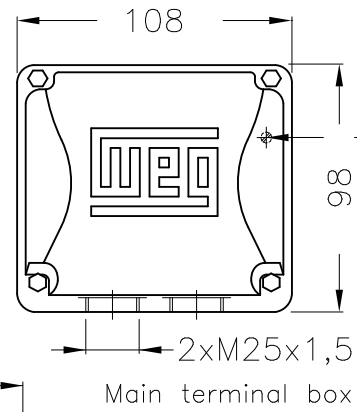
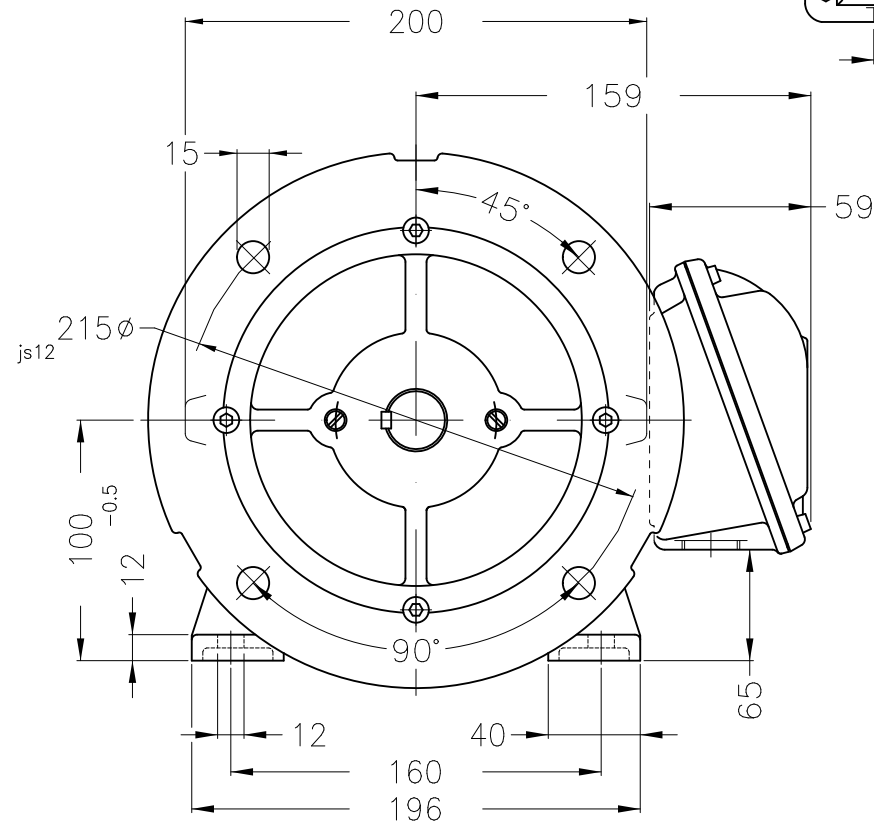
Moment of inertia (J) : 0.2136 sq.ft.lb  
 Duty cycle : S1  
 Insulation class : F  
 Service factor : 1.00  
 Temperature rise : 80 K  
 Design : N

Rev.	Changes Summary	Performed	Checked	Date
Performed by			Page	Revision
Checked by				
Date				
			17 / 17	

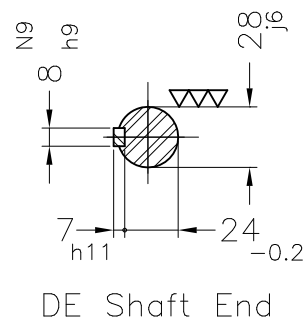
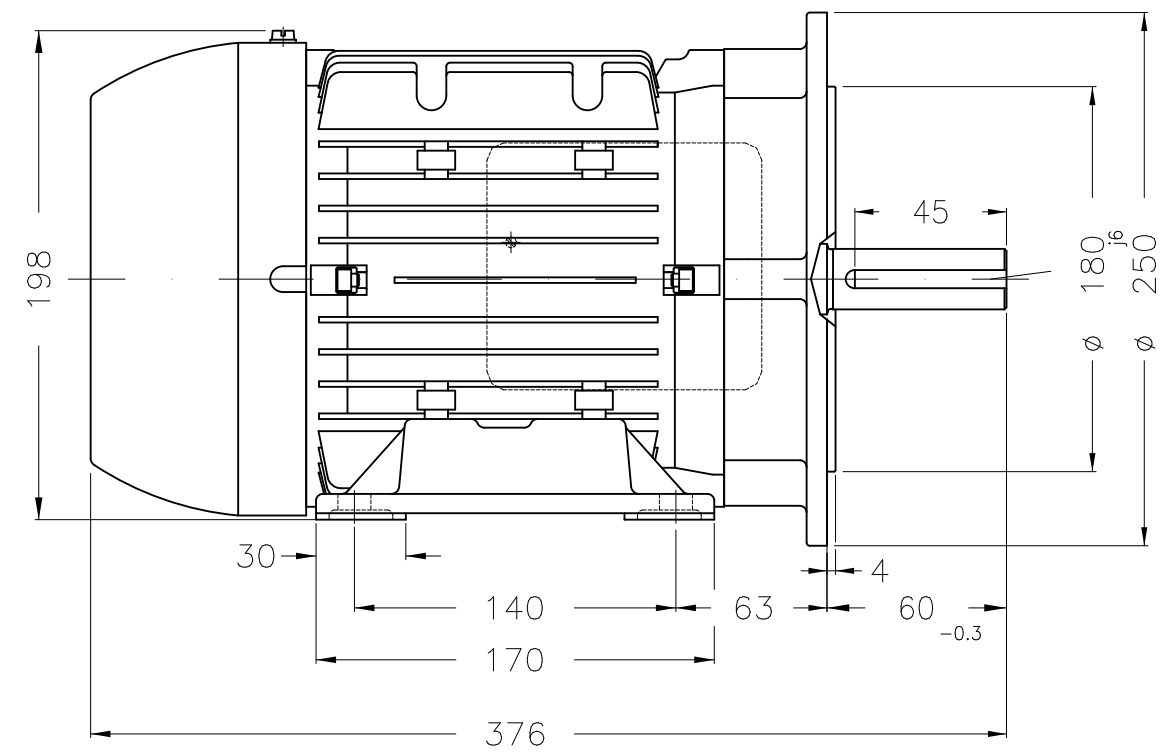
No reproduction of this drawing is allowed without written permission of WEG Motores

Dimensões em mm  
Dimensions in mm

THIS IS AN UPDATED REVISION, THE PREVIOUS ONE MUST BE DISREGARDED.



Grounding for leads 0.5–6 mm<sup>2</sup> / 20–10 AWG



Connection cables connected in the high voltage  
Bearing cap  
Color RAL 5009  
Painting plan 207A  
Mounting B35L(E)

ECM	LOC	SUMMARY OF MODIFICATIONS	EXECUTED	CHECKED	RELEASED	DATE	VER
EXECUTED	USERADMIN	THREE PHASE MOTOR TRU-METRIC P. EFF AL					
CHECKED		FRAME 100L IP55 TEFC					
RELEASED		WEG code: 13984018					
REL DT	21.06.2021	WMO Jaragua do Sul	Product Engineering	SHEET	1 / 1		

3 HP 04 Poles 60Hz

A



ZME A3

MADE IN BRAZIL



IE3-89.5%



MODEL 00218ET3WAL100LFF-W2

IEC 60034-1

3 ~ AL100L

AMB 40°C

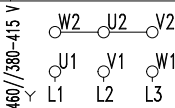
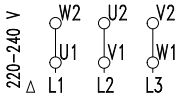
MOD.TE01A0X0\$0000302084

INS CL. F ENCL TEFC TYPE ET IP55 DUTY CONT.

kW(HP)	Hz	VOLTS	RPM	AMPS	PF	SFA
2.2(3.0)	50	220/380	1430	8.43/4.88	0.79	-
		240/415	1445	8.42/4.87	0.72	-
	60	/460	1750	- /4.11	0.75	5.14

Hz SF CODE  $\Delta T$  (k) ALT 1000 m.a.s.l.

50	1.00	L	80	NEMA EFF 60Hz DES NOM(%) 89.5 3/4(%) 88.2
60	1.25	L	80	



→ 6206-ZZ

MOBIL POLYREX EM

68 Lbs

→ 6205-ZZ

TEMP CODE T3C

Class I, Div. 2, Gr. B, C and D

Class I, Zone 2, IIC

FOR SAFE AREA  
ELECTRIC MOTOR3PT9  
LISTED

13984018