



OUTLINE DIMENSIONS

MOTOR TYPE:
AMRCED-S
FRAME NO. 404VP

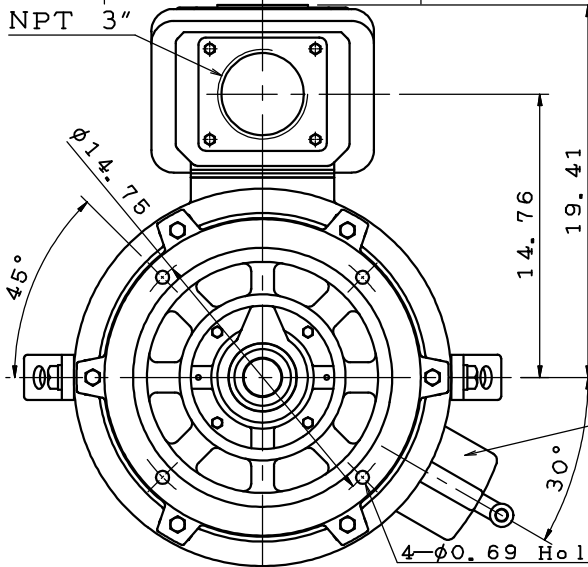
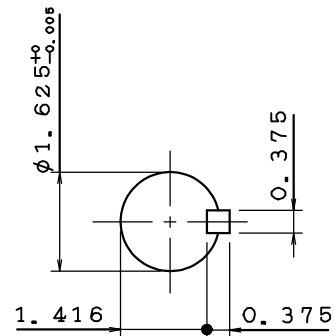
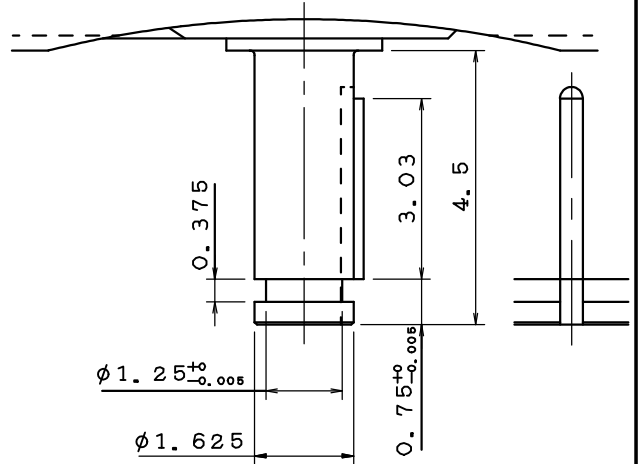
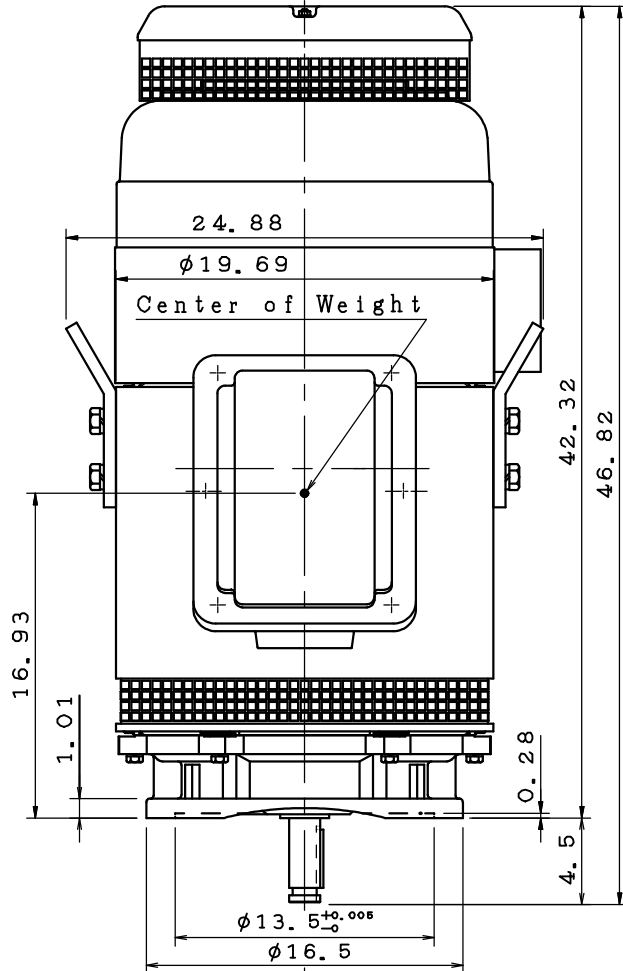
DATE

3-PHASE INDUCTION MOTOR

Pole	HP	kW	Hz	VOLT	r/min
6	60	—	60	—	1200

Ins	Rating	Dimension in	Approx Weight	Bearings
F	CONT.	inch	1285 lbs	DE:6315C3 NDE:7322B

NEMA Weather Protected TYPE I (WP I). Squirrel-cage Rotor.



Note:

1. Downthrust: 9000 lbs (L₁₀: 8800 hrs)
2. Rotation: C. C. W (View from Top)
3. With Ball Type N. R. R.
4. Approx Reed Frequencies: 59.6 Hz
5. Upper Bearing (Oil lube)
Kind of Oil: Turbine Oil
—300SSU/100°F (ISO VG68)
Quantity: 1.06 Gallons

Oil Gauge, Oil Inlet and Outlet (UPPER BEARING)

TA18122A-00-00

DWG.	簡學民	10.04.18
CHKD.	簡學民	10.04.18
APPD.	徐聰豪	10.04.18

東元電機股份有限公司
TECO Electric & Machinery Co., Ltd.

TAIWAN

DWG NO.
31057H811570