

DATE 11/10/15
 CATALOG# MP0014

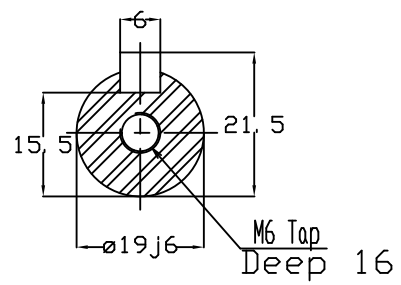
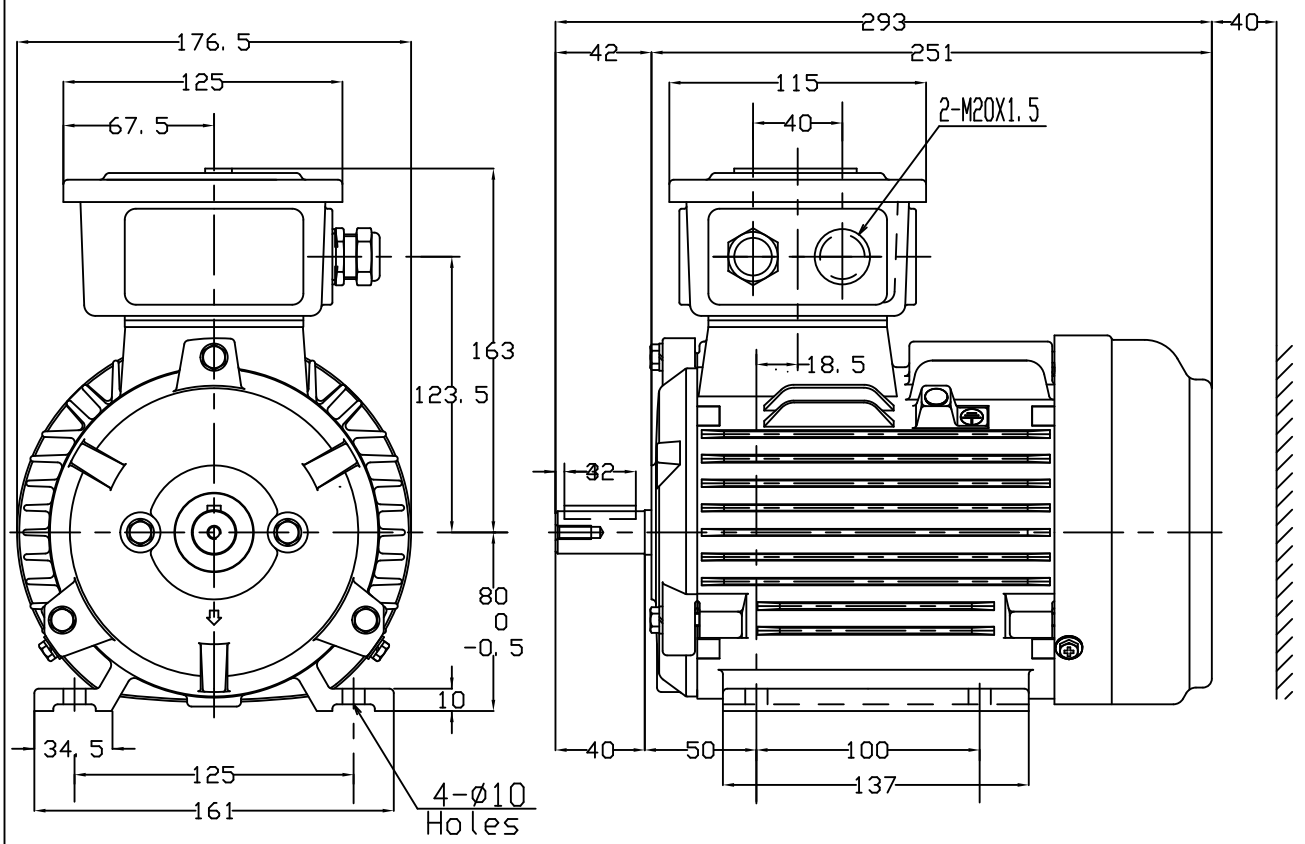
OUTLINE DIMENSIONS
 3-PHASE INDUCTION MOTOR

MOTOR TYPE:
 AESV3W
 FRAME NO. 80M

Pole	HP	kW	Hz	VOLT	r/min
4	1	.75	60	230/460	1800

Ins	Rating	Dimension in	Approx Weight	Bearings
F	CONT.	mm	20.5 Kg.	DE: 6204ZZ NDE: 6204ZZ

Totally Enclosed Fan-Cooled Type. Squirrel-Cage Rotor.



Note:
 1. IP55
 2. F CLASS, B RISE

DWN.	譚道勇	09-11-12		DWG NO.
CHKD.	時墩慶	09-13-12		32049A008040
APPD.	嚴和欽	09-13-12		
			WUXI	