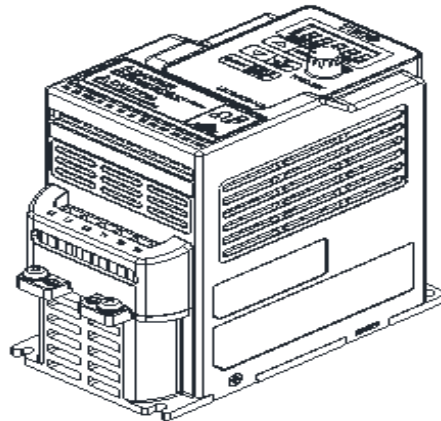
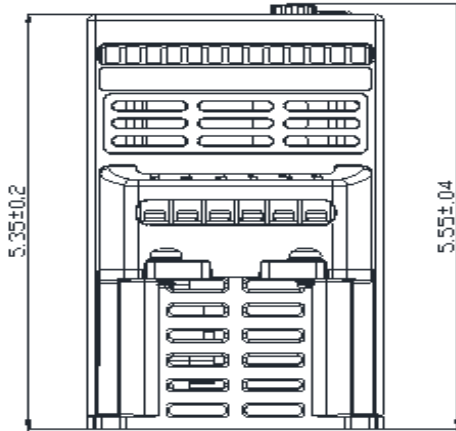
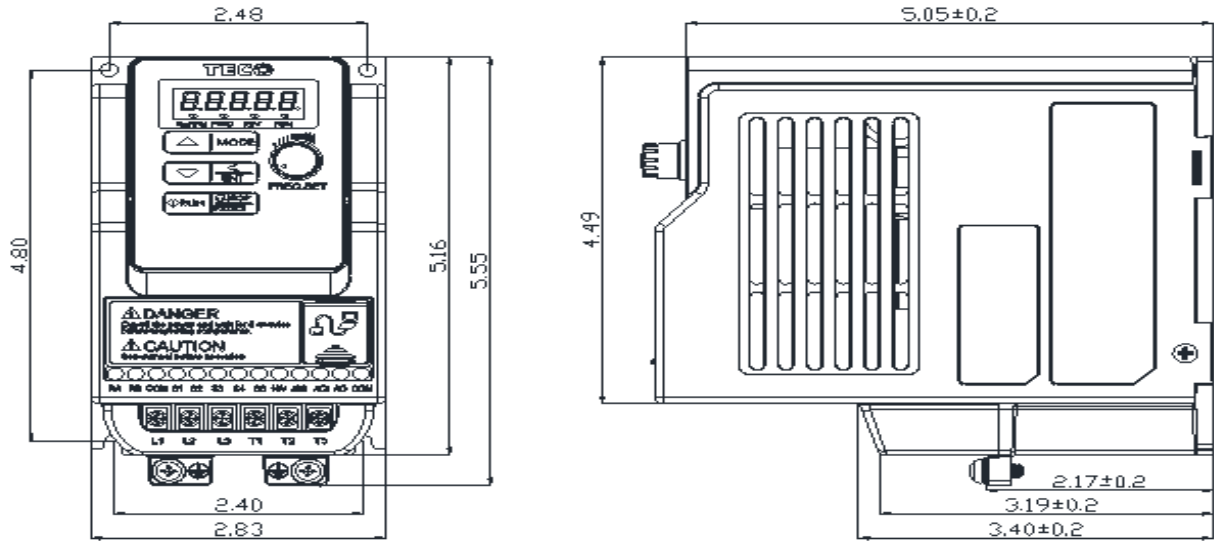


GENERAL DATASHEET VARIABLE SPEED DRIVE

Series L510		MODEL# L510-1P2-H1-U	
ISSUED 3/16/2017		ENCLOSURE/ FRAME Chassis (IP20/00)/ F2	
INPUT AMPS HD (CT) 9.5		AC INPUT VOLTAGE 115	AC INPUT FREQUENCY 50/60
AC INPUT PHASE 1	OUTPUT HP HD (CT) 0.25	AC OUTPUT VOLTAGE 0-230	AC OUTPUT FREQUENCY 0-599
AC OUTPUT PHASE 3	OUTPUT AMPS HD (CT) 1.8		



Approved By:	Brian Smith	Drawing No:	L510-115-1P2-F1	Revision: 0
--------------	-------------	-------------	-----------------	-------------