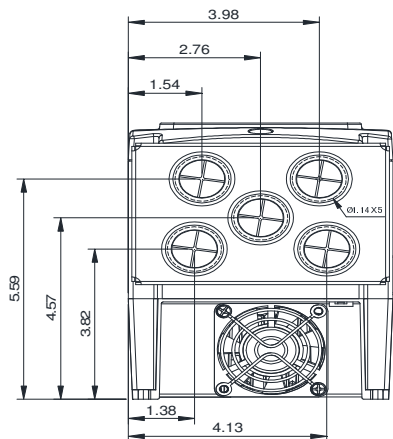
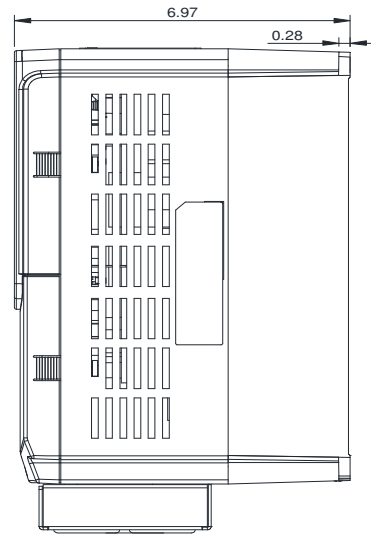
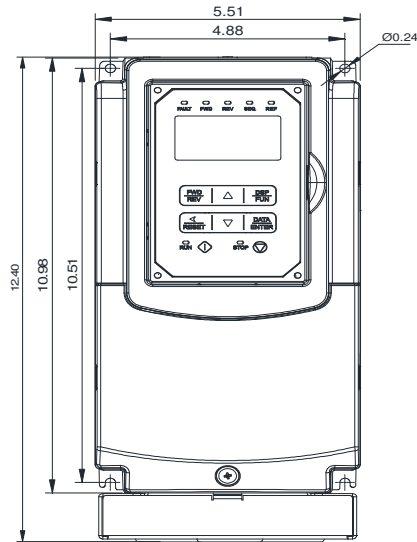


## GENERAL DATASHEET VARIABLE SPEED DRIVE

Series <b>A510</b>				MODEL# <b>A510-4020-C3-UE</b>		
ISSUED <b>12/30/2019</b>				ENCLOSURE/ FRAME <b>NEMA 1 (IP20) / F3</b>		
INPUT AMPS				AC INPUT VOLTAGE	AC INPUT FREQUENCY	AC INPUT PHASE
HD (CT) <b>33.7</b>		ND (VT) <b>41.3</b>				
OUTPUT HP				AC OUTPUT VOLTAGE	AC OUTPUT FREQUENCY	AC OUTPUT PHASE
HD (CT) <b>20</b>		ND (VT) <b>25</b>				
OUTPUT AMPS				AC OUTPUT VOLTAGE	AC OUTPUT FREQUENCY	AC OUTPUT PHASE
HD (CT) <b>31</b>		ND (VT) <b>38</b>				
				<b>380-480</b>	<b>50/60</b>	<b>3</b>
				<b>0-480</b>	<b>0-599</b>	<b>3</b>



Approved By:	Brian Smith	Drawing No:	A510-460-020-F3	Revision: 1
--------------	-------------	-------------	-----------------	-------------