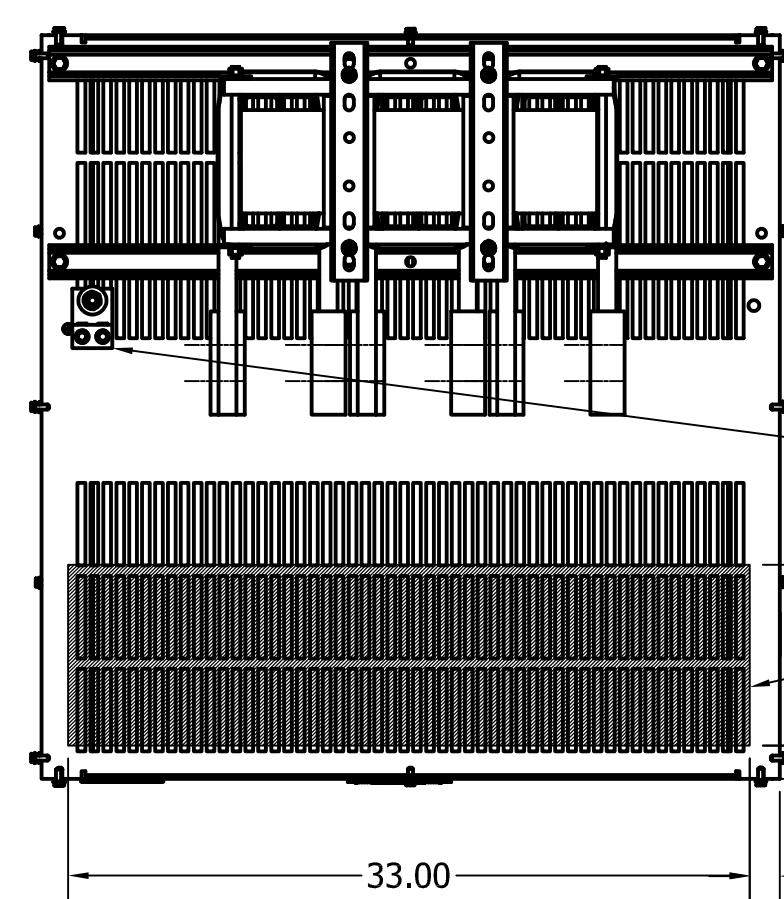
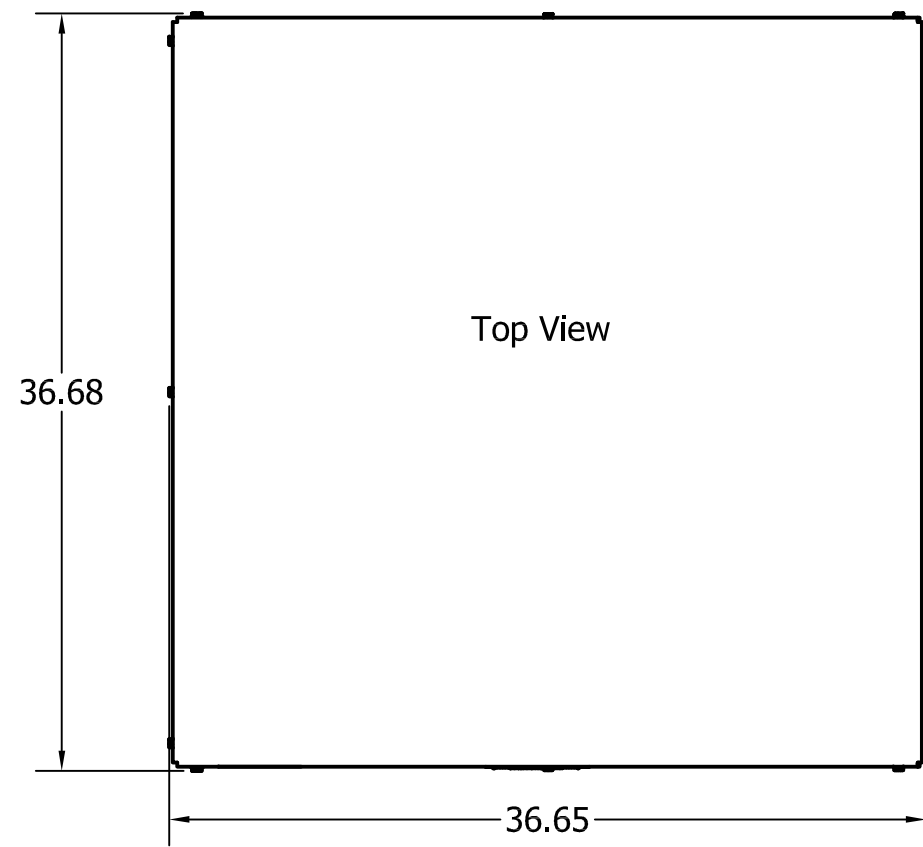
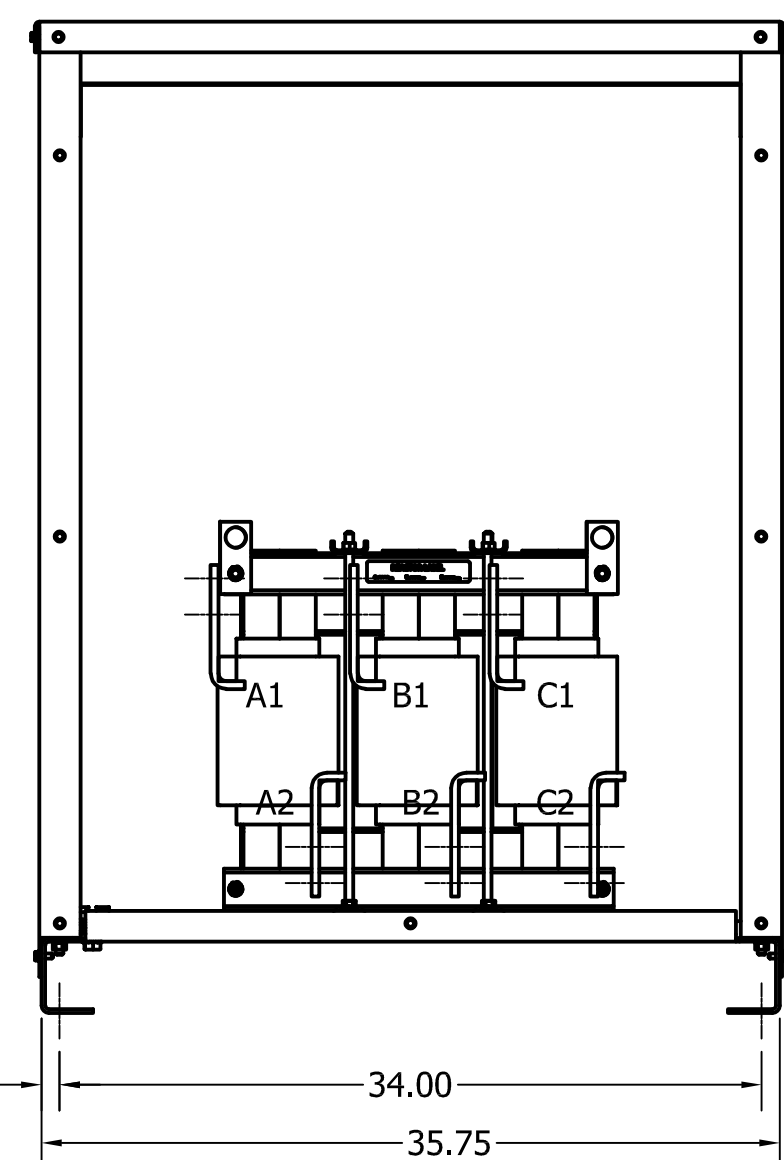
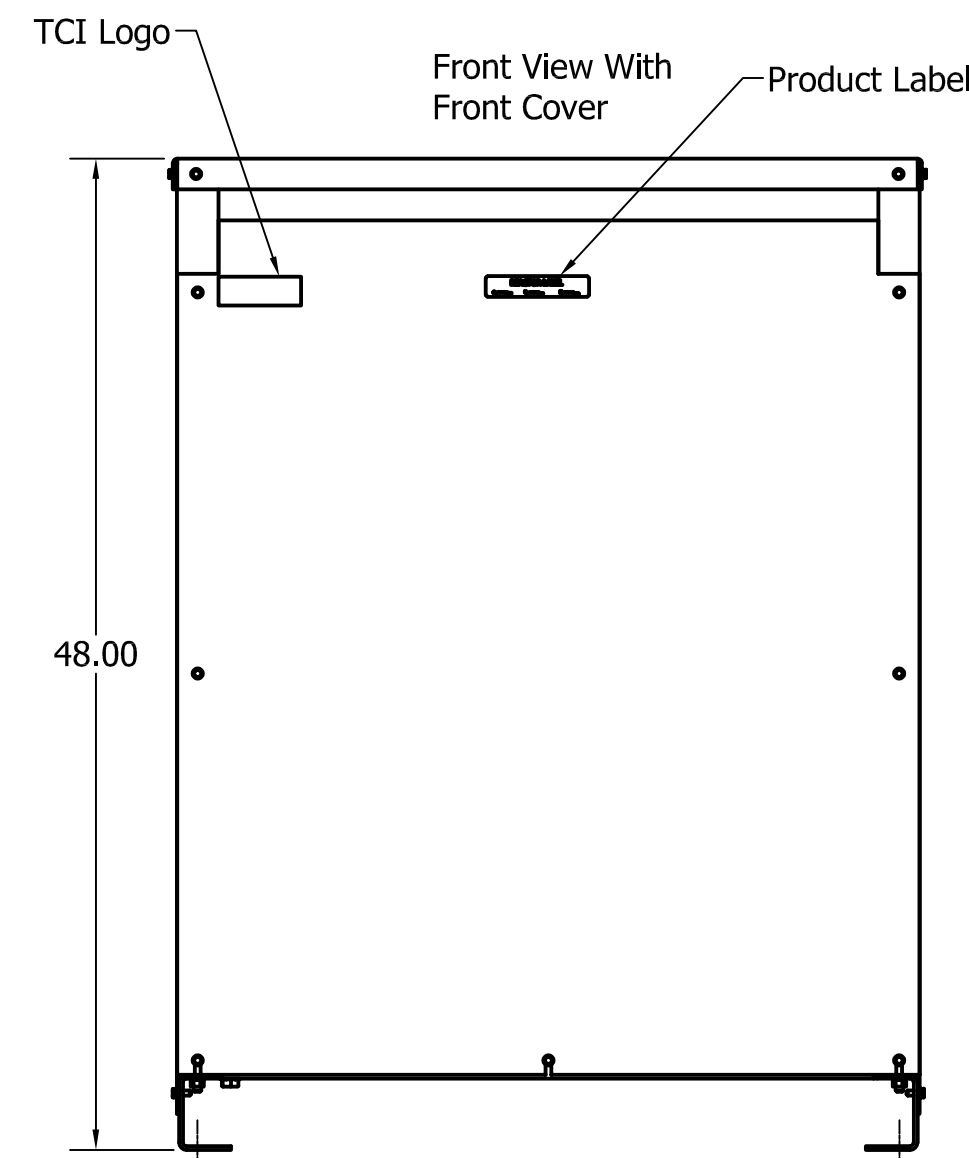


575 Rated Voltage, 600 Max Voltage, High Z, Impedance.								
Part Number	Horsepower (HP)	Motor Amps (A)	Maximum Amps (A)	Inductance (uH)	Weight (LBS)	Losses (W)	Available Lug Kit	Terminal Hole Size (Inches)
KDRY42HE01	1500	1440	1500	26.6	885	2985	SLK18	0.53

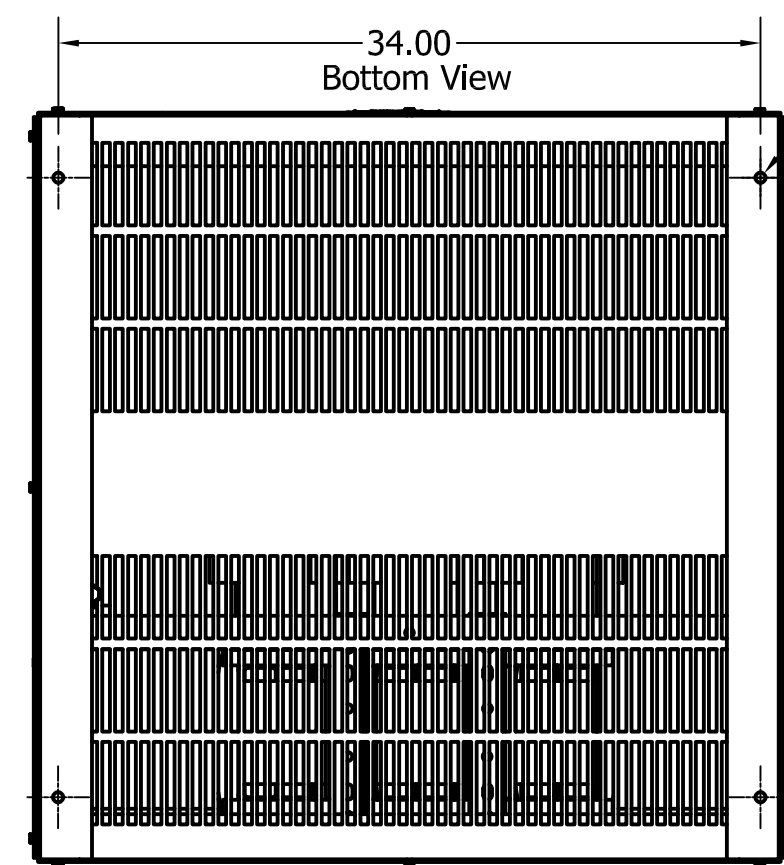
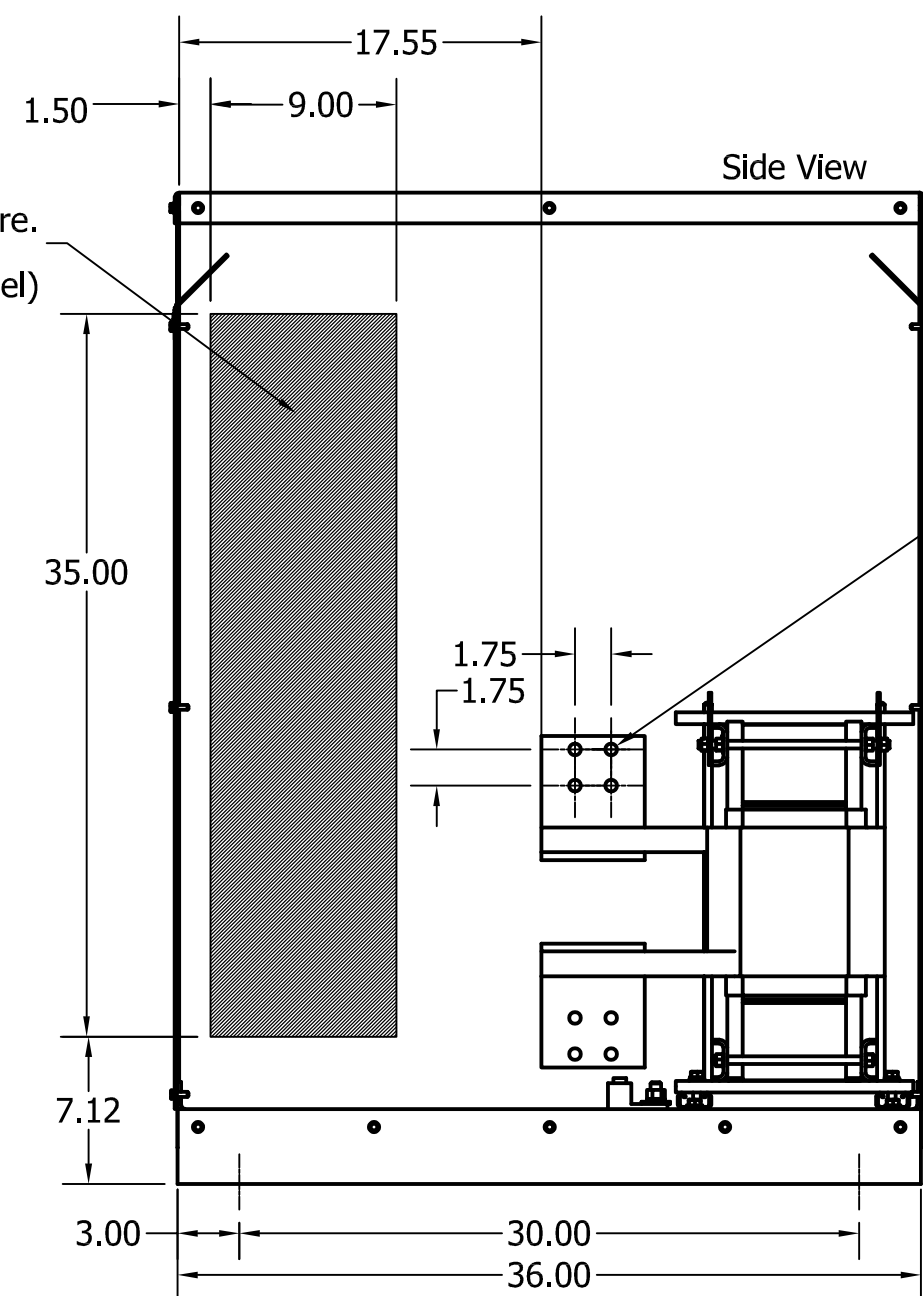


Ground Lug.
See IOM Manual, Part# 30895
Table 2S350, Wire Size And Torque.

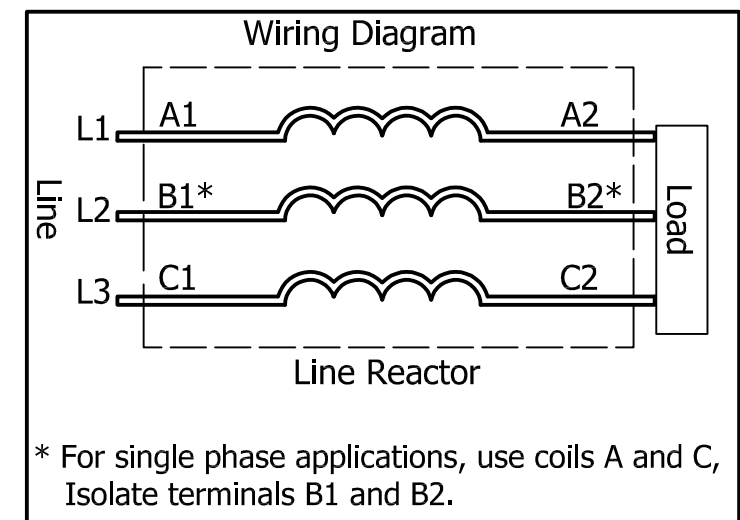
Suggested Customer Wire Entrance
Bottom Of Enclosure.
See Note: 8
(Non Removeable Panel)



Suggested Customer Entrance
Either Side Of Enclosure.
See Note: 8
(Non Removeable Panel)



(Customer Connections)
Markings On Coils
For Reference Only.



TCI (800) 824-8282 transcoll.com

TCI, LLC
Germantown, WI, USA
transcoll.com
800-824-8282

KDRUL Drive Reactor
KDR - Motor Amps ---
3PH, 50/60Hz, ---V Rated, 600V Max, -A Max
40C Amb Max, 155C Max, RoHS
Manual #30895 LUG KIT #SLK---

UL LISTED
cULus LISTED

DATE CODE

- Notes:
1. KDR Lug Kits sold separately. Contact TCI.
 2. For KDRUL Version With Terminal Lugs Attached, See Sheet 4
 3. UL file number: cULus Listed File E116124.
 4. KDR Drive Reactors Comply With The Thermal and Altitude Standards Set Forth by NEMA ST20-1992.
 5. KDR IOM Manual Part Number 30895
 6. NEC Current For 208/240 Volts, Horsepower Based On 208 Volts.
 7. Material(s) Shall be RoHS Compliant
 8. Customer Is Responsible For Installation To Meet All National And Local Electrical Codes.

TCI, LLC CLAIMS PROPRIETARY RIGHTS IN THE MATERIAL HEREIN DISCLOSED. IT IS SUPPLIED WITHOUT PREJUDICE TO ANY PATENT RIGHTS OF TCI AND MAY NOT BE REPRODUCED OR USED TO MANUFACTURE ANYTHING SHOWN THEREIN WITHOUT WRITTEN PERMISSION FROM TCI.				TOLERANCES (EXCEPT AS NOTED)		W132 N10611 Grant Drive Germantown, WI 53022	
				DECIMAL		KDR Y Frame, Copper Bus, Enclosed Type 1, Reactor Drawing	
				.XX ± .25		DRN BY: DSW	
				.XXX ± .10		DATE: 4/20/18	
				FRACTIONAL		SIZE: 107617DG	
				± 1/16		SCALE: 1/10	
				ANGULAR		APRVD:	
				± 1°		SHT 3 OF 6	
NO REVISION		DATE		BY			