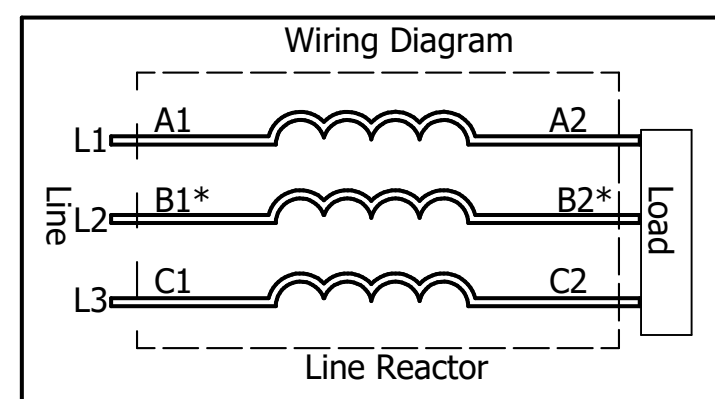
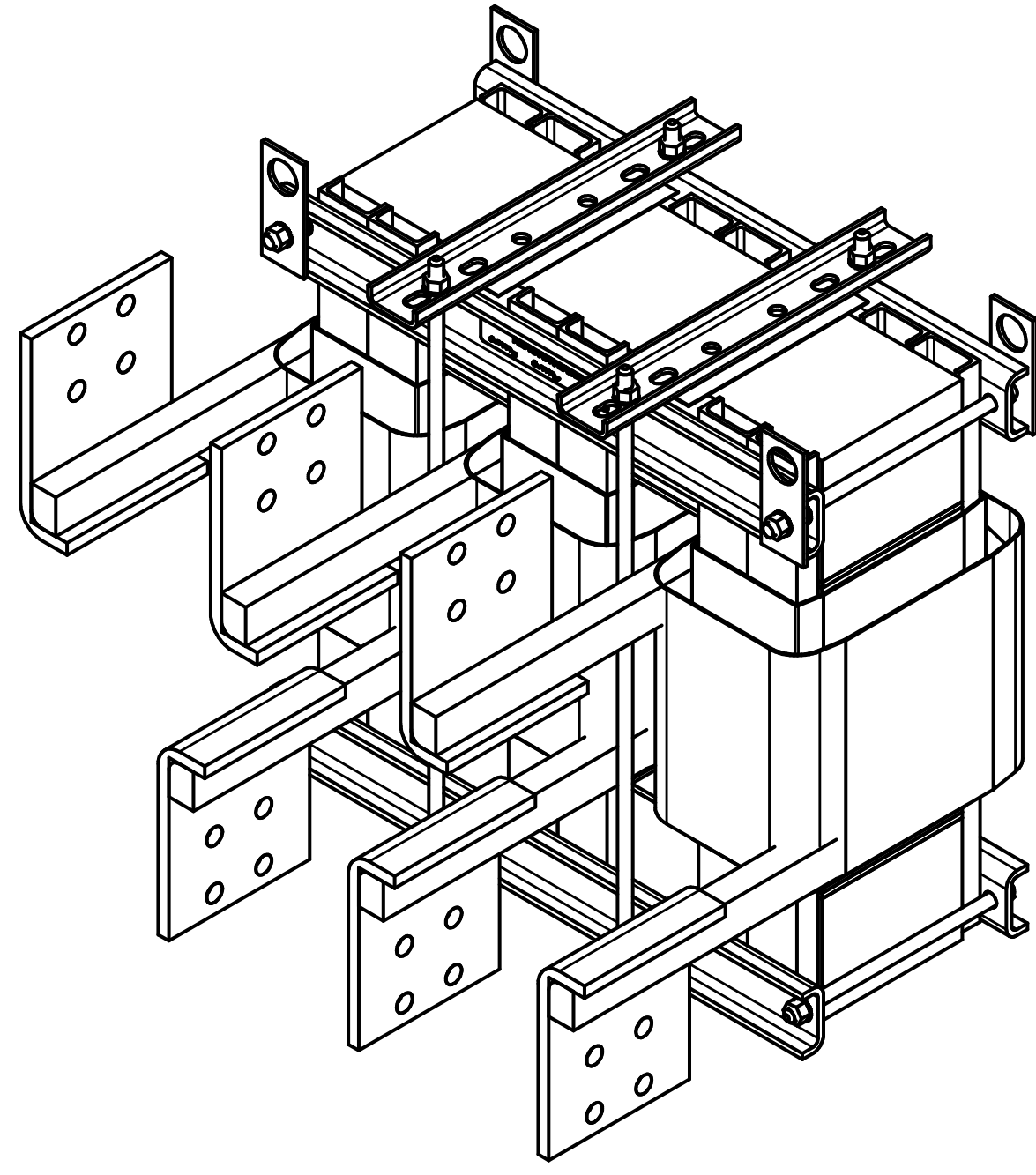


575 Rated Voltage, 600 Max Voltage, High Z, Impedance.

Part Number	Horsepower (HP)	Motor Amps (A)	Maximum Amps (A)	Inductance (uH)	Weight (LBS)	Losses (W)	Available Lug Kit	Terminal Hole Size (Inches)
KDRY42H	1500	1440	1500	26.6	575	2985	SLK18	0.53



\* For single phase applications, use coils A and C, Isolate terminals B1 and B2.

**TCI** (800) 824-8282 [transcoil.com](http://transcoil.com)

TCI, LLC  
 Germantown, WI, USA.  
[transcoil.com](http://transcoil.com)  
 800-824-8282

**KDRUL Drive Reactor**  
 KDR - Motor Amps -  
 3PH, 50/60Hz, -V Rated, 600V Max, -A Max  
 40C Amb Max, 155C Rise, RoHS  
 Manual #30895 LUG KIT #SLK-

UL LISTED CE  
 2ND CONT. NO. 2100

DATE CODE **A1** **A2** **B1** **B2** **C1** **C2**

- Notes:
1. KDR Lug Kits sold separately. Contact TCI.
  2. For KDRUL Version With Terminal Lugs Attached, See Sheet 4
  3. UL file number: cULus Listed File E116124.
  4. KDR Drive Reactors Comply With The Thermal and Altitude Standards Set Forth by NEMA ST20-1992.
  5. KDR IOM Manual Part Number 30895
  6. Material(s) Shall be RoHS Compliant
  7. Customer Is Responsible For Installation To Meet All National And Local Electrical Codes.

TCI, LLC CLAIMS PROPRIETARY RIGHTS IN THE MATERIAL HEREIN DISCLOSED. IT IS SUPPLIED WITHOUT PREJUDICE TO ANY PATENT RIGHTS OF TCI AND MAY NOT BE REPRODUCED OR USED TO MANUFACTURE ANYTHING SHOWN THEREIN WITHOUT WRITTEN PERMISSION FROM TCI.			TOLERANCES (EXCEPT AS NOTED) DECIMAL XX ± .25 .XXX ± .10 FRACTIONAL ± 1/16 ANGULAR ± 1°			<b>TCI</b> W132 N10611 Grant Drive Germantown, WI 53022		
A Combined Drawings			3/5/18 DSW			KDR Y Frame, Copper Bus Reactor Drawing		
NO REVISION			DATE BY			DRN BY DSJ DATE 3/5/18 107540DG SCALE: 1/4.5 APRVD: SIZE C SHT.3 OF 6		