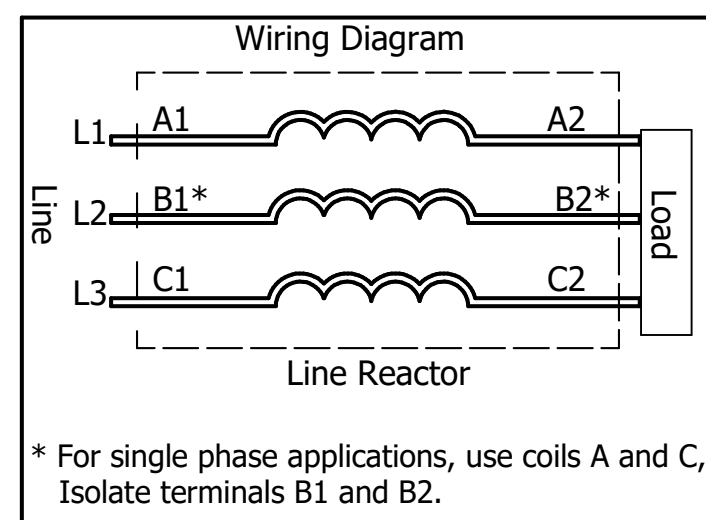
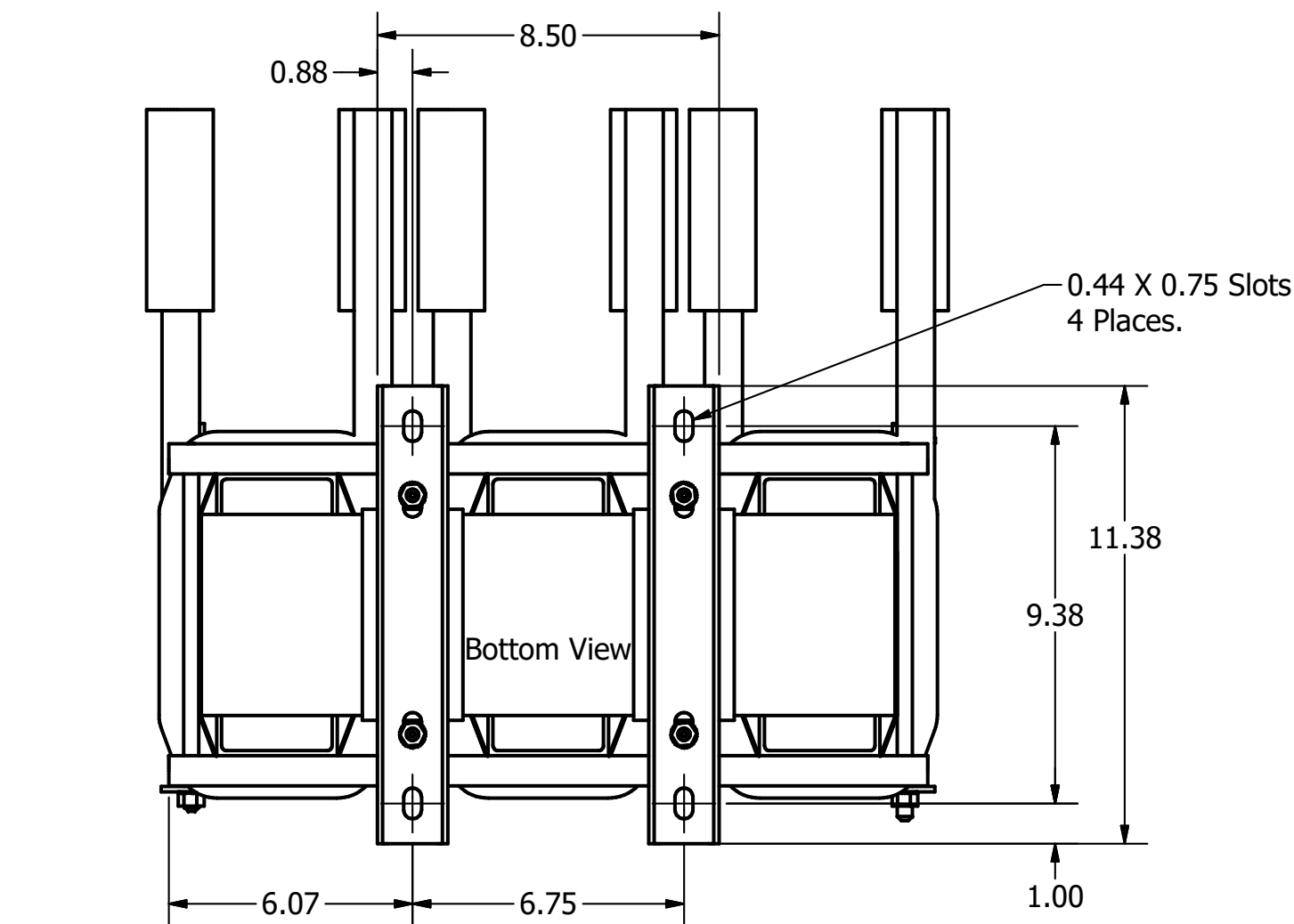
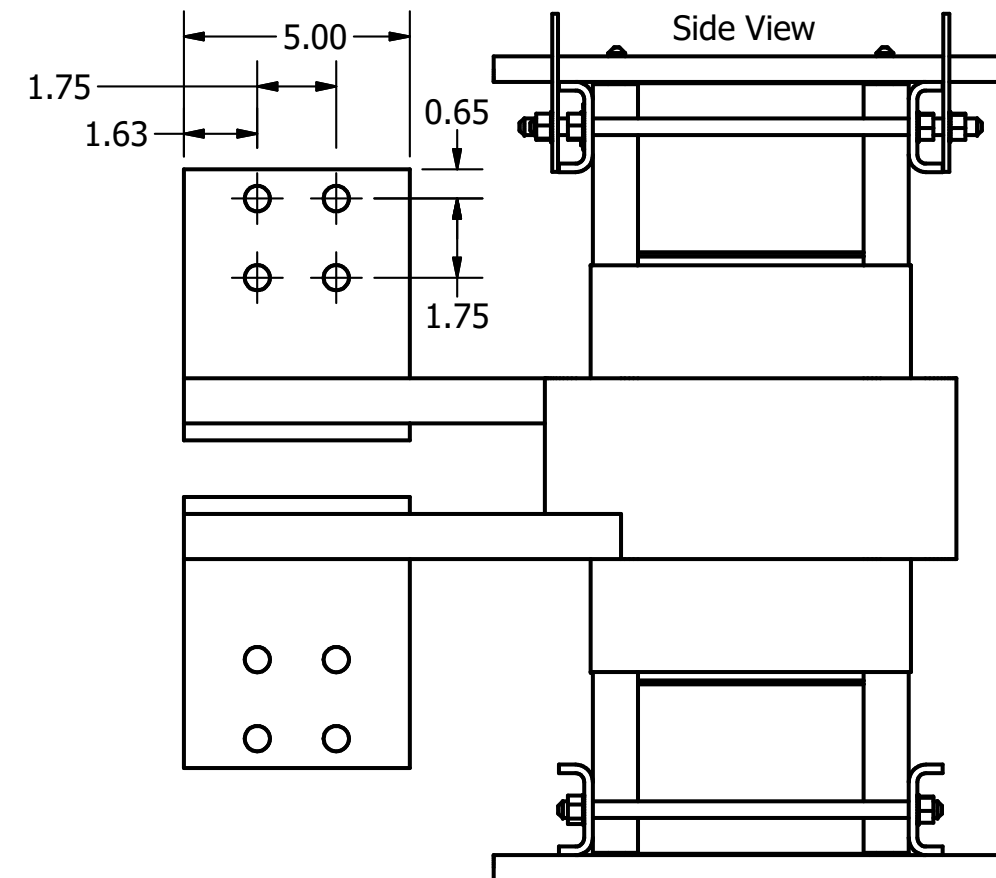


(Customer Connections)
Markings On Coils
For Reference Only.



* For single phase applications, use coils A and C, Isolate terminals B1 and B2.

575 Rated Voltage, 600 Max Voltage, High Z, Impedance.								
Part Number	Horsepower (HP)	Motor Amps (A)	Maximum Amps (A)	Inductance (uH)	Weight (LBS)	Losses (W)	Available Lug Kit	Terminal Hole Size (Inches)
KDRY41H	1250	1200	1200	31.9	475	2488	SLK17	0.56

575 Rated Voltage, 600 Max Voltage, Low Z, Impedance.								
Part Number	Horsepower (HP)	Motor Amps (A)	Maximum Amps (A)	Inductance (uH)	Weight (LBS)	Losses (W)	Available Lug Kit	Terminal Hole Size (Inches)
KDRY41L	1500	1440	1500	15.9	465	1791	SLK18	0.56

480 Rated Voltage, 600 Max Voltage, Low Z, Impedance.								
Part Number	Horsepower (HP)	Motor Amps (A)	Maximum Amps (A)	Inductance (uH)	Weight (LBS)	Losses (W)	Available Lug Kit	Terminal Hole Size (Inches)
KDRY1L	1100	1320	1350	14.2	475	1371	SLK18	0.56
KDRY2L	1250	1500	1500	12.5	500	1558	SLK18	0.56

TCI (800) 824-8282 transcoll.com

TCI, LLC
Germantown, WI, USA.
transcoll.com
800-824-8282

KDRUL Drive Reactor
KDR— Motor Amps —
3PH, 50/60Hz, —V Rated, 600V Max, —A Max
40C Amb Max, 155C Rise, RoHS
Manual #30895 LUG KIT #SLK—

DATE CODE A1 A2 B1 B2 C1 C2

- Notes:
1. KDR Lug Kits sold separately. Contact TCI.
 2. For KDRUL Version With Terminal Lugs Attached, See Sheet 2
 3. UL file number: cULus Listed File E116124.
 4. KDR Drive Reactors Comply With The Thermal and Altitude Standards Set Forth by NEMA ST20-1992.
 5. KDR IOM Manual Part Number 30895
 6. Material(s) Shall be RoHS Compliant
 7. Customer Is Responsible For Installation To Meet All National And Local Electrical Codes.

TCI, LLC CLAIMS PROPRIETARY RIGHTS IN THE MATERIAL HEREIN DISCLOSED. IT IS SUPPLIED WITHOUT PREJUDICE TO ANY PATENT RIGHTS OF TCI AND MAY NOT BE REPRODUCED OR USED TO MANUFACTURE ANYTHING SHOWN THEREIN WITHOUT WRITTEN PERMISSION FROM TCI.			TOLERANCES (EXCEPT AS NOTED) DECIMAL XX ± .25 .XXX ± .10 FRACTIONAL ± 1/16 ANGULAR ± 1°			W132 N10611 Grant Drive Germantown, WI 53022 KDR Y Frame, Copper Bus Reactor Drawing DRN BY DSW DATE: 3/5/18 107540DG SCALE: 1/4.5 APRVD: SIZE C SHT 1 OF 6		
A	Combined Drawings	3/5/18	DSW					
NO	REVISION	DATE	BY					