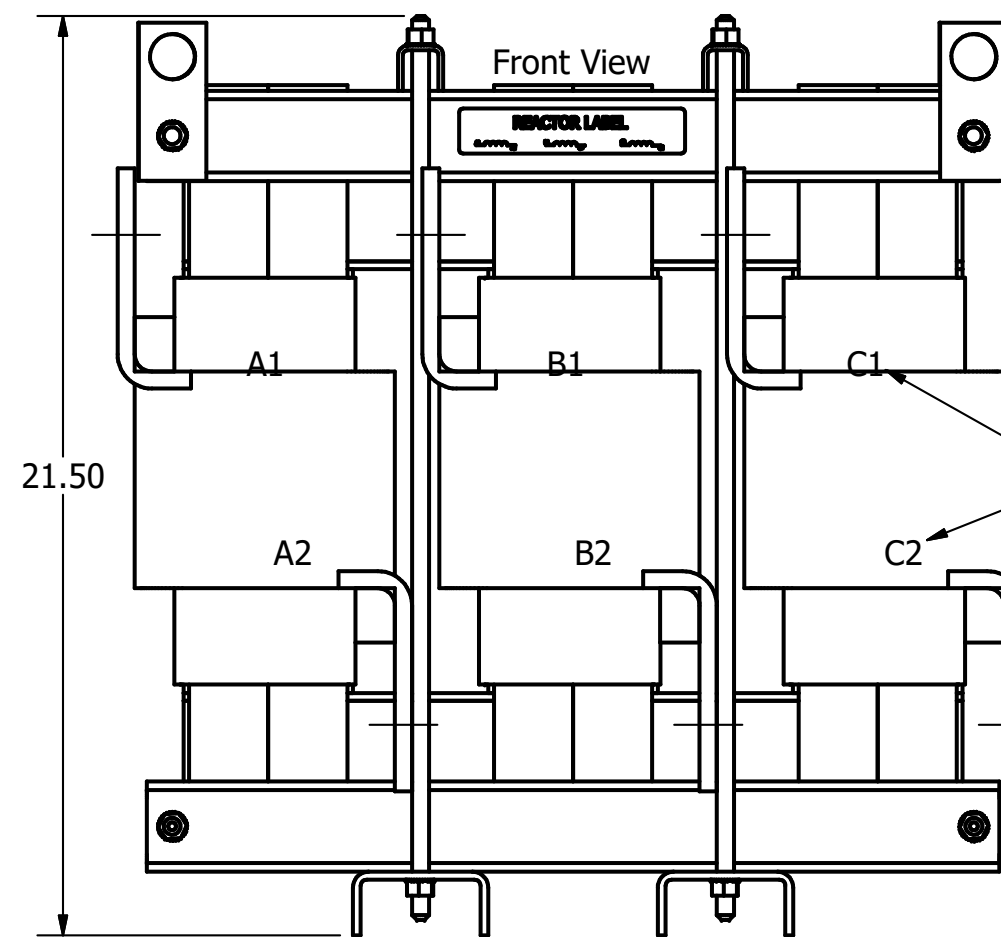
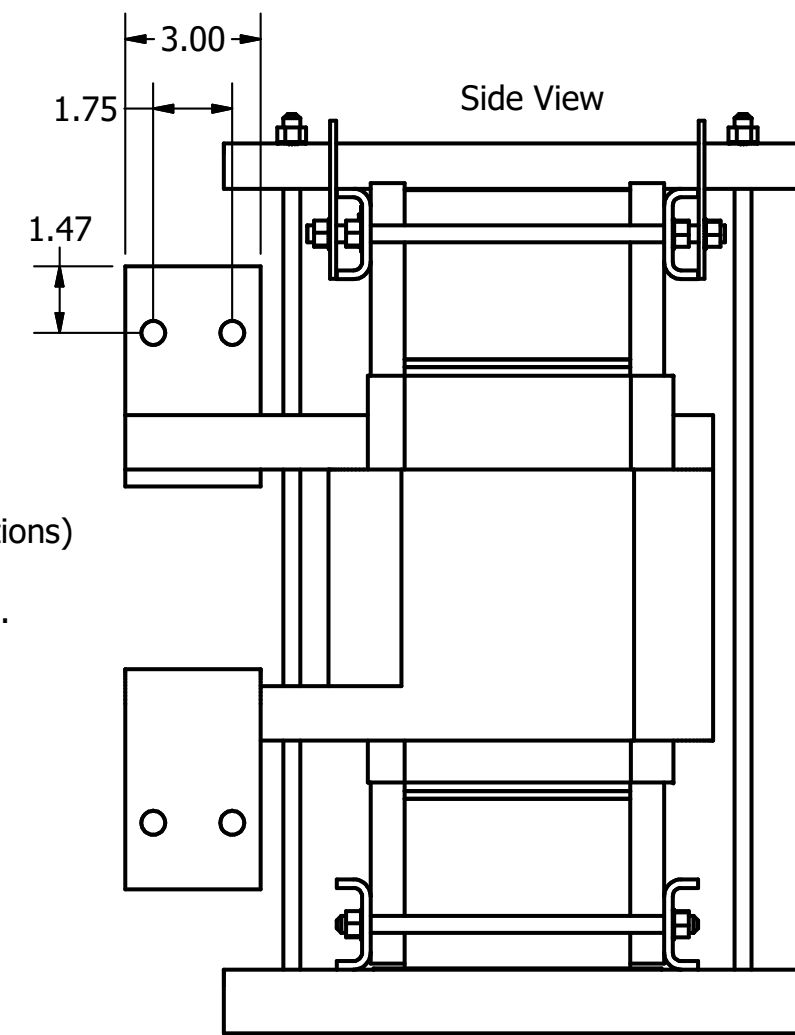
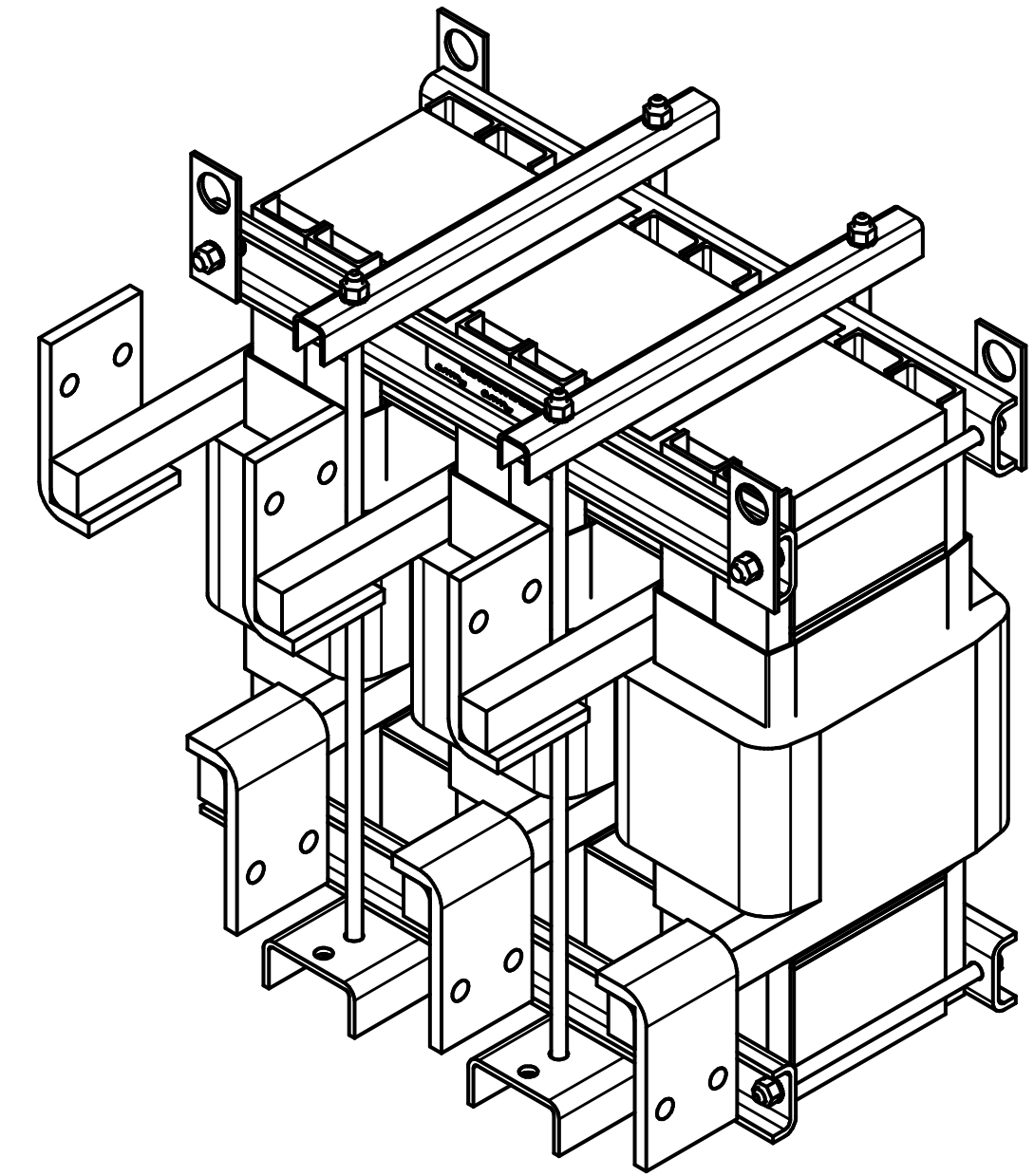
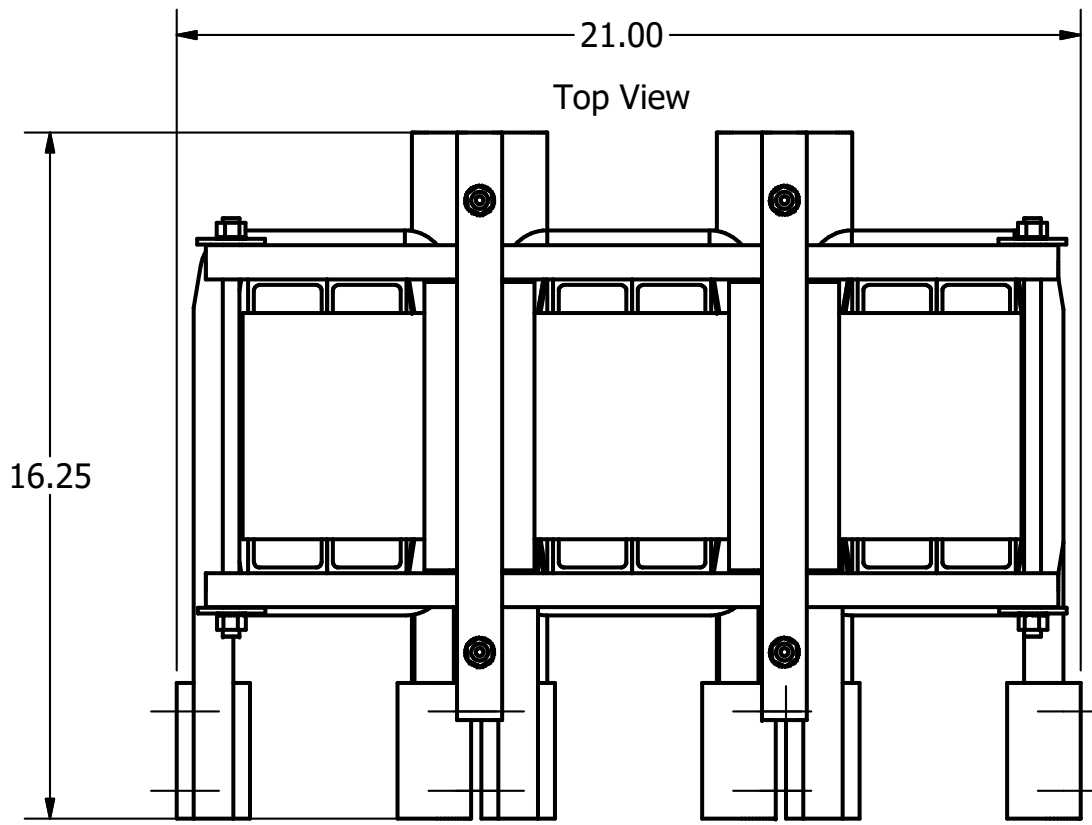
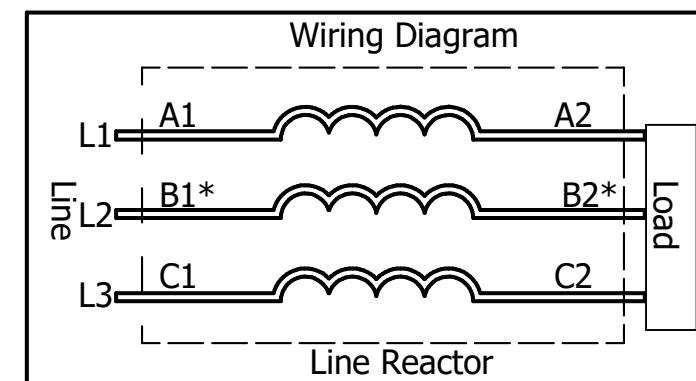
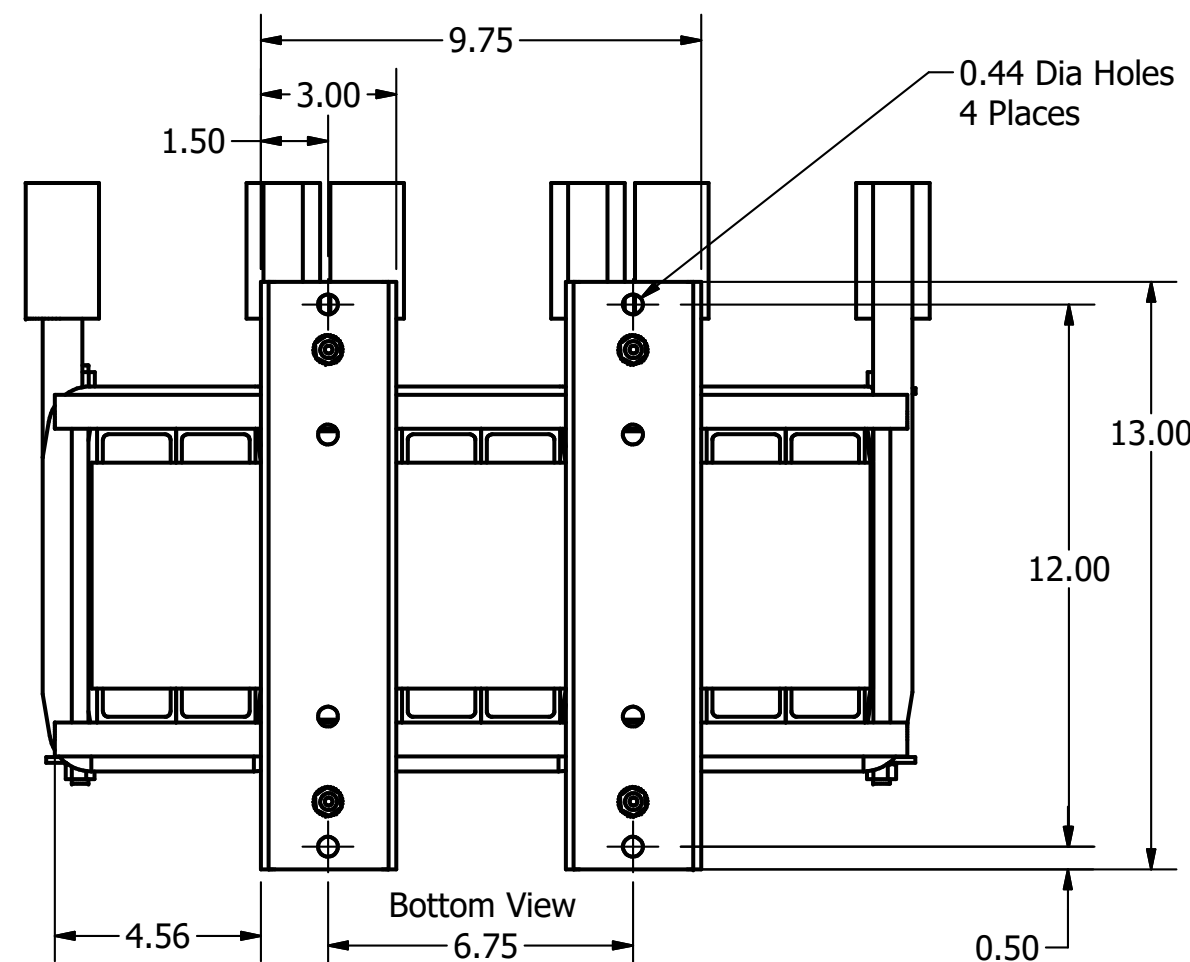


480 Rated Voltage, 600 Max Voltage, High Z, Impedance.

Part Number	Horsepower (HP)	Motor Amps (A)	Maximum Amps (A)	Inductance (uH)	Weight (LBS)	Losses (W)	Available Lug Kit	Terminal Hole Size (Inches)
KDRY2H	1100	1320	1350	23.7	550	2284	SLK19	0.56



(Customer Connections) Markings On Coils For Reference Only.



TCI (800) 824-8282 transcoil.com
 TCI, LLC Germantown, WI, USA. transcoil.com 800-824-8282
 KDRUL Drive Reactor
 KDR - Motor Amps -
 3PH, 50/60Hz, V Rated, 600V Max, -A Max
 40C Amb Max, 155C Rise, RoHS
 Manual #30895 LUG KIT #SLK-
 DATE CODE AL B1 B2 C1 C2

Notes:

1. KDR Lug Kits sold separately. Contact TCI.
2. For KDRUL Version With Terminal Lugs Attached, See Sheet 4
3. UL file number: cULus Listed File E116124.
4. KDR Drive Reactors Comply With The Thermal and Altitude Standards Set Forth by NEMA ST20-1992.
5. KDR IOM Manual Part Number 30895
6. Material(s) Shall be RoHS Compliant
7. Customer Is Responsible For Installation To Meet All National And Local Electrical Codes.

TCI, LLC CLAIMS PROPRIETARY RIGHTS IN THE MATERIAL HEREIN DISCLOSED. IT IS SUPPLIED WITHOUT PREJUDICE TO ANY PATENT RIGHTS OF TCI AND MAY NOT BE REPRODUCED OR USED TO MANUFACTURE ANYTHING SHOWN THEREIN WITHOUT WRITTEN PERMISSION FROM TCI.

TOLERANCES (EXCEPT AS NOTED)			TOLERANCES (EXCEPT AS NOTED)		
DECIMAL			DECIMAL		
XX ± .25			XX ± .25		
.XXX ± .10			.XXX ± .10		
FRACTIONAL			FRACTIONAL		
± 1/16			± 1/16		
ANGULAR			ANGULAR		
± 1°			± 1°		

DRN BY	DATE	SCALE	DATE	SIZE	REV
DSW	3/5/18	1/4.5	3/5/18	C	

W132 N10611 Grant Drive
 Germantown, WI 53022
 KDR Y Frame, Copper Bus
 Reactor Drawing
 107540DG
 SHT.5 OF 6