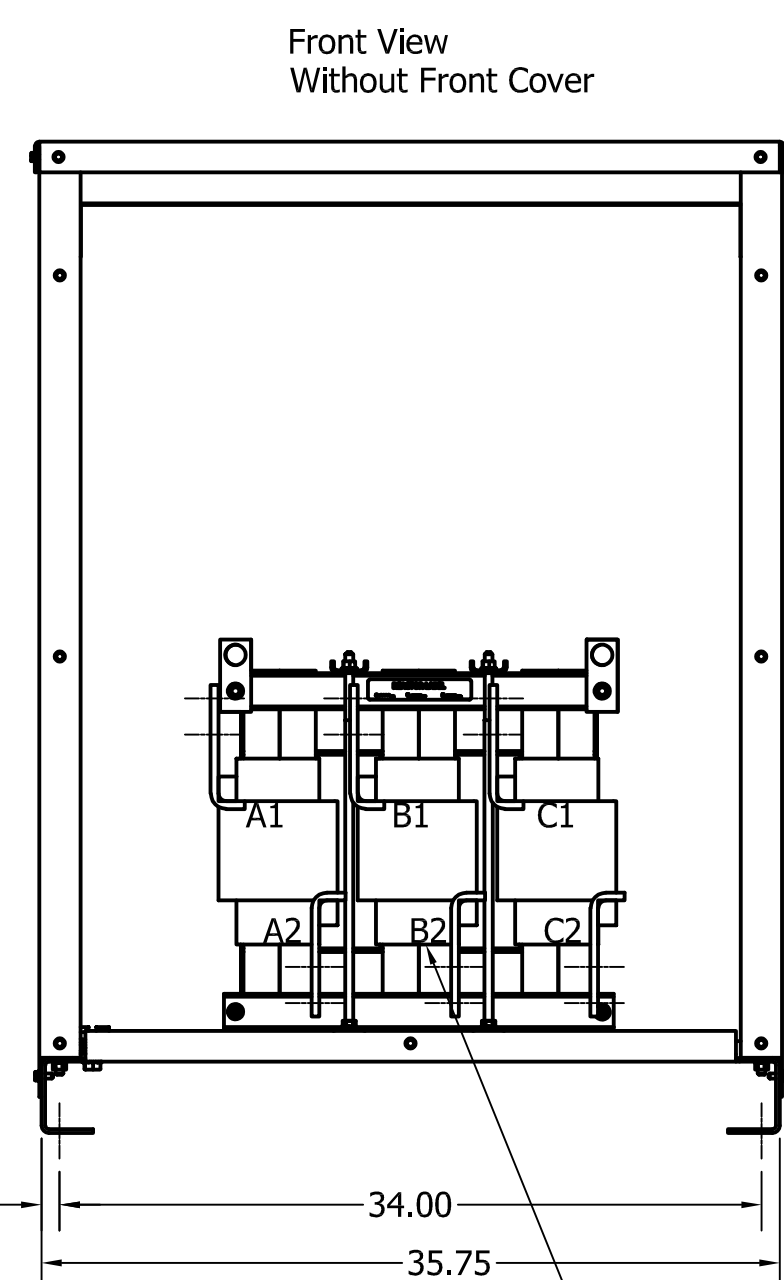
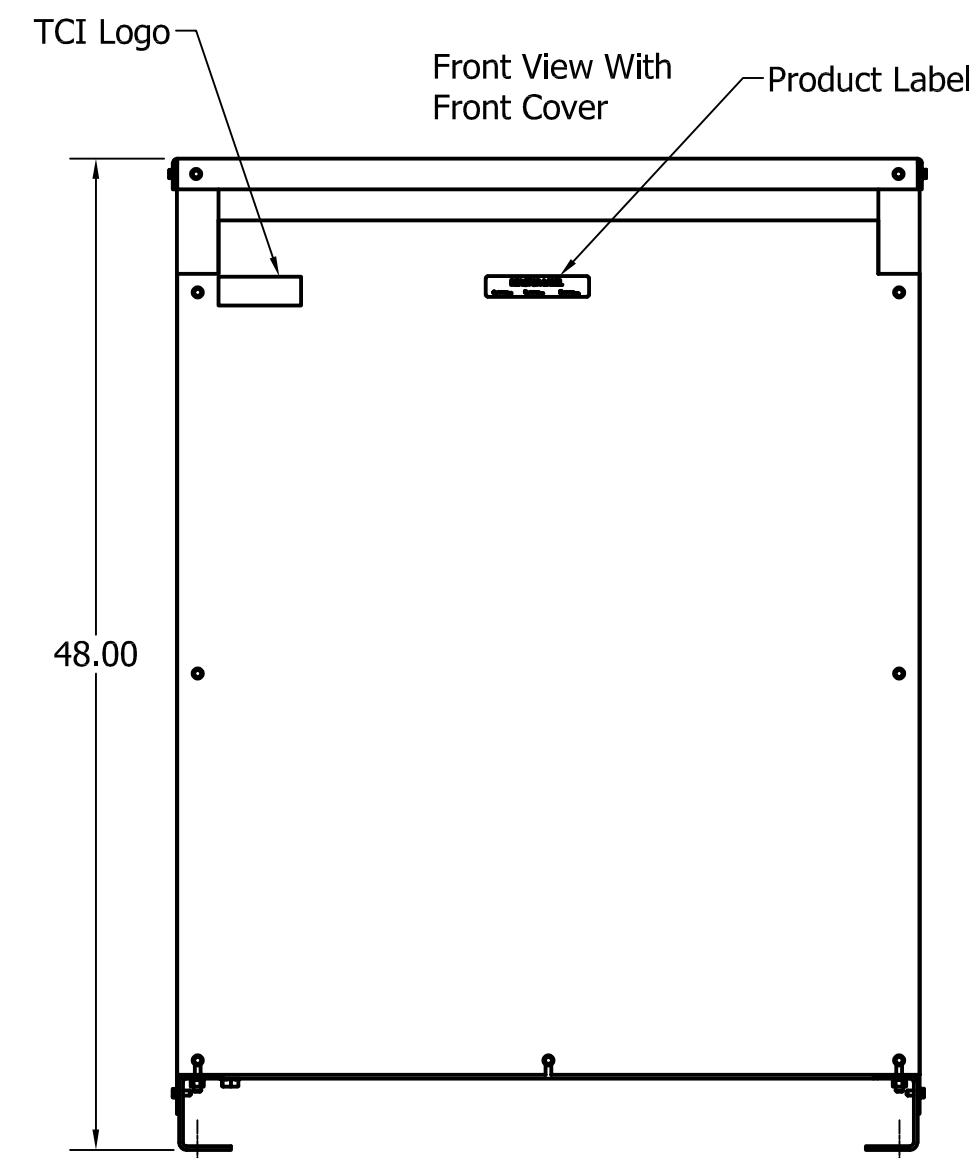


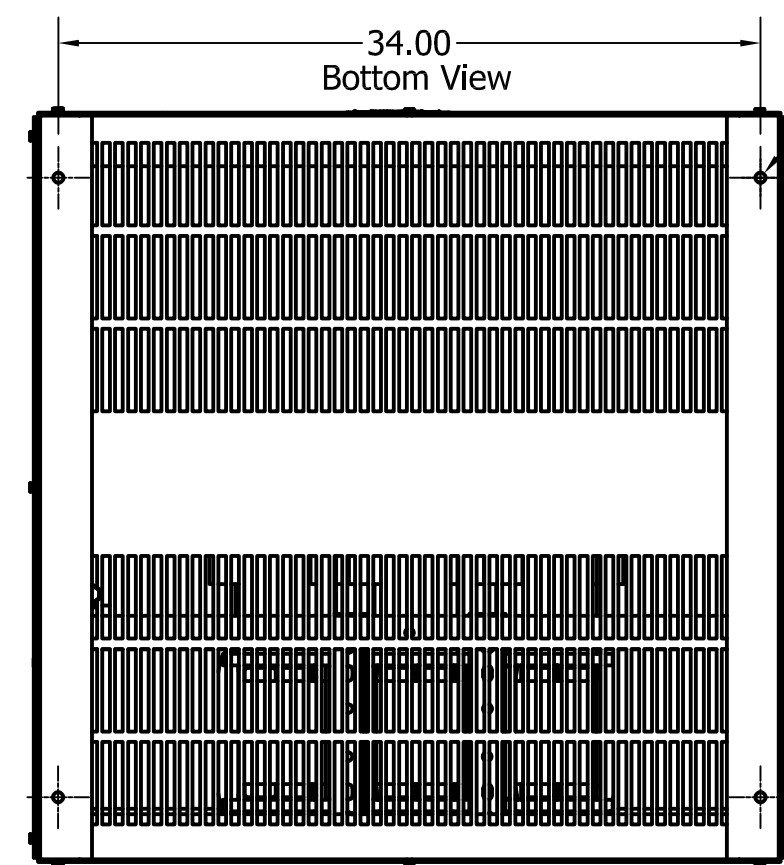
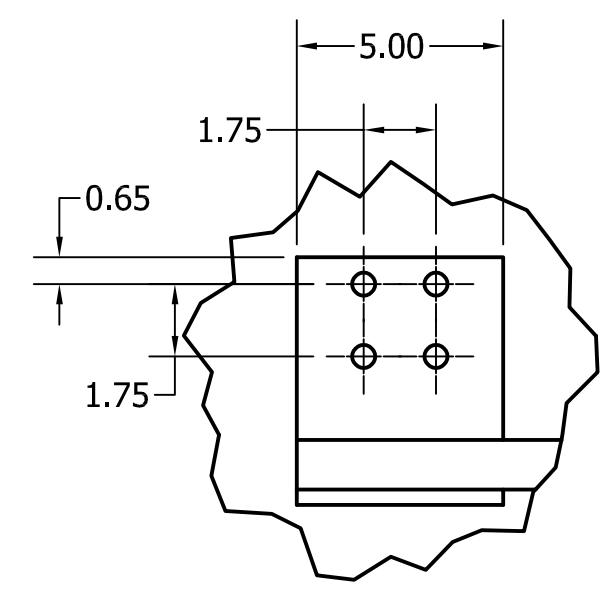
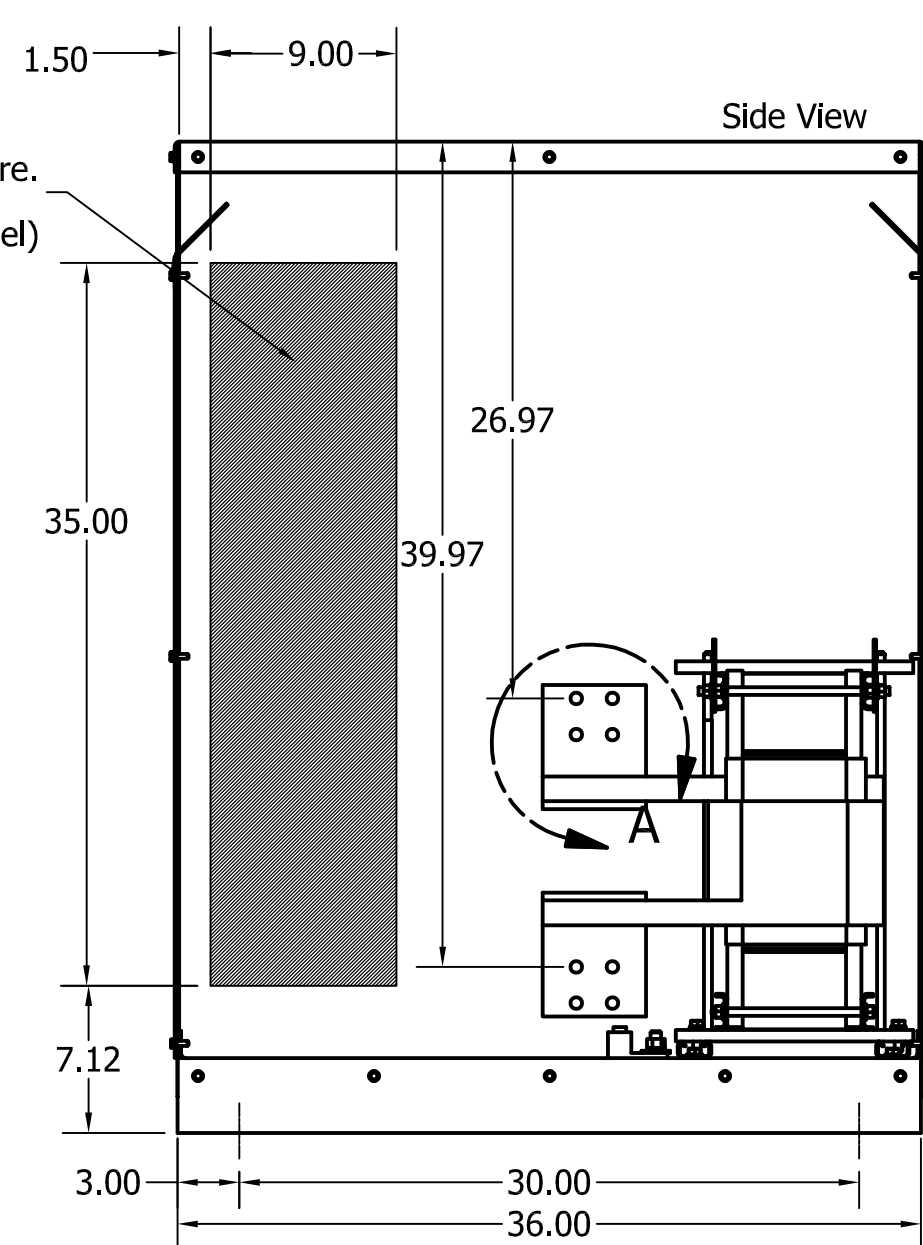
Ground Lug.
See IOM Manual, Part# 30895
Table 2S350, Wire Size And Torque.

8.75

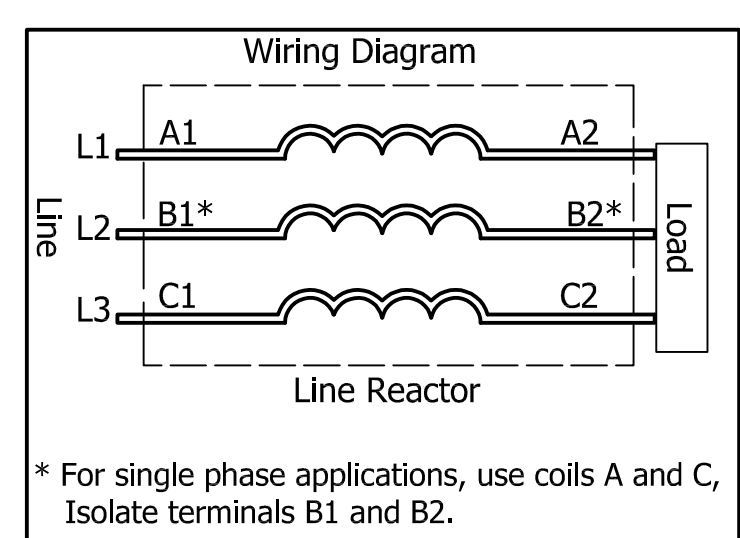
Suggested
Customer Wire Entrance
Bottom Of Enclosure.
See Note: 8
(Non Removeable Panel)



Suggested
Customer Entrance
Either Side Of Enclosure.
See Note: 8
(Non Removeable Panel)



(Customer Connections)
Markings On Coils
For Reference Only.



575 Rated Voltage, 600 Max Voltage, High Z, Impedance.								
Part Number	Horsepower (HP)	Motor Amps (A)	Maximum Amps (A)	Inductance (uH)	Weight (LBS)	Losses (W)	Available Lug Kit	Terminal Hole Size (Inches)
KDRY41HE01	1250	1200	1200	31.9	785	2488	SLK17	0.56

575 Rated Voltage, 600 Max Voltage, Low Z, Impedance.								
Part Number	Horsepower (HP)	Motor Amps (A)	Maximum Amps (A)	Inductance (uH)	Weight (LBS)	Losses (W)	Available Lug Kit	Terminal Hole Size (Inches)
KDRY41LE01	1500	1440	1500	15.9	775	1791	SLK18	0.56

480 Rated Voltage, 600 Max Voltage, Low Z, Impedance.								
Part Number	Horsepower (HP)	Motor Amps (A)	Maximum Amps (A)	Inductance (uH)	Weight (LBS)	Losses (W)	Available Lug Kit	Terminal Hole Size (Inches)
KDRY1LE01	1100	1320	1350	14.2	785	1371	SLK18	0.56
KDRY2LE01	1250	1500	1500	12.5	810	1558	SLK18	0.56

TCL (800) 824-8282 transcoll.com

TCL, LLC
Germantown, WI, USA
transcoll.com
800-824-8282

KDRUL Drive Reactor
KDR - Motor Amps ---
3PH, 50/60Hz, ---V Rated, 600V Max, -A Max
40C Amb Max, 155C Max, RoHS
Manual #30895 LUG KIT #SLK---

UL LISTED
cULus LISTED

DATE CODE

- Notes:
1. KDR Lug Kits sold separately. Contact TCI.
 2. For KDRUL Version With Terminal Lugs Attached, See Sheet 2
 3. UL file number: cULus Listed File E116124.
 4. KDR Drive Reactors Comply With The Thermal and Altitude Standards Set Forth by NEMA ST20-1992.
 5. KDR IOM Manual Part Number 30895
 6. NEC Current For 208/240 Volts, Horsepower Based On 208 Volts.
 7. Material(s) Shall be RoHS Compliant
 8. Customer Is Responsible For Installation To Meet All National And Local Electrical Codes.

TCL, LLC CLAIMS PROPRIETARY RIGHTS IN THE MATERIALS HEREIN DISCLOSED. IT IS SUPPLIED WITHOUT PREJUDICE TO ANY PATENT RIGHTS OF TCL AND MAY NOT BE REPRODUCED OR USED TO MANUFACTURE ANYTHING SHOWN THEREIN WITHOUT WRITTEN PERMISSION FROM TCL.

TOLERANCES (EXCEPT AS NOTED)
DECIMAL
.XX ± .25
.XXX ± .10
FRACTIONAL
± 1/16
ANGULAR
± 1°

W132 N10611 Grant Drive
Germantown, WI 53022

KDR Y Frame, Copper Bus, Enclosed
Type 1, Reactor Drawing

DRN BY: DSW DATE: 4/20/18 SIZE: 107617DG
SCALE: 1/10 APRVD: C

NO REVISION DATE BY

SHT 1 OF 6