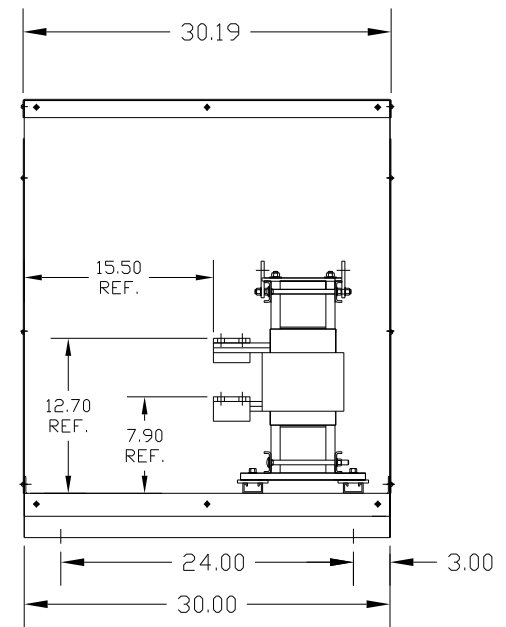
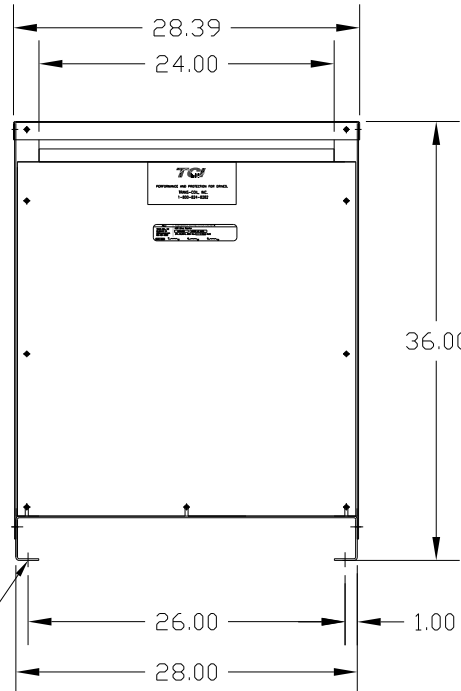
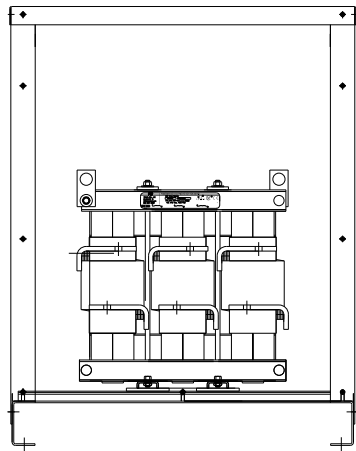
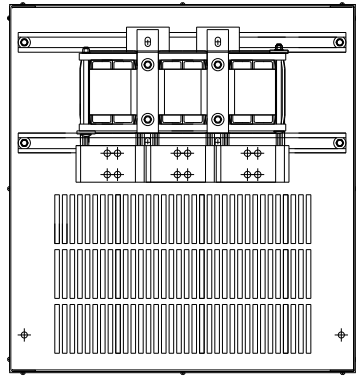


CATALOG NO	VOLTAGE	NEC MOTOR HP	NEC MOTOR CURRENT	WATTS LOSS	TERMINAL HOLE SIZE	APPROX WT-LBS
KDRX44HC7V	690	800	768	1592	.53	440



.50 DIA MOUNTING HOLES 4 PLACES.

CUSTOMER IS RESPONSIBLE FOR INSTALLATION TO MEET ALL NATIONAL AND LOCAL ELECTRICAL CODES.

NO	REVISION	DATE	BY	TOLERANCES (EXCEPT AS NOTED)	DRN. BY	DATE	APPRV.	DWG. NO.
				DECIMAL .XX ± .03 .XXX ± .01	DSW	2/17/12		B
				FRACTIONAL ± 1/32				
				ANGULAR ± 1/2°				
					SCALE			

**TCL** 7878 N. 86th STREET MILWAUKEE, WI 53224

KDR DRIVE REACTOR, ENCLOSED 690V HIGH Z, FRAME X

SHT. 1 OF 1