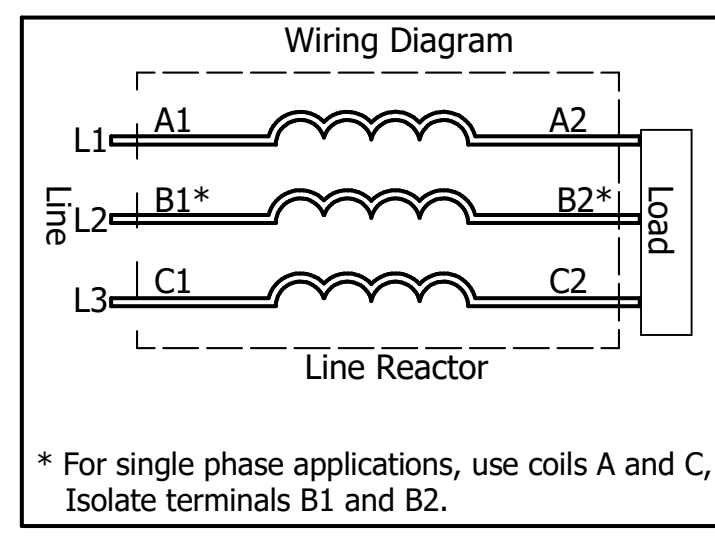
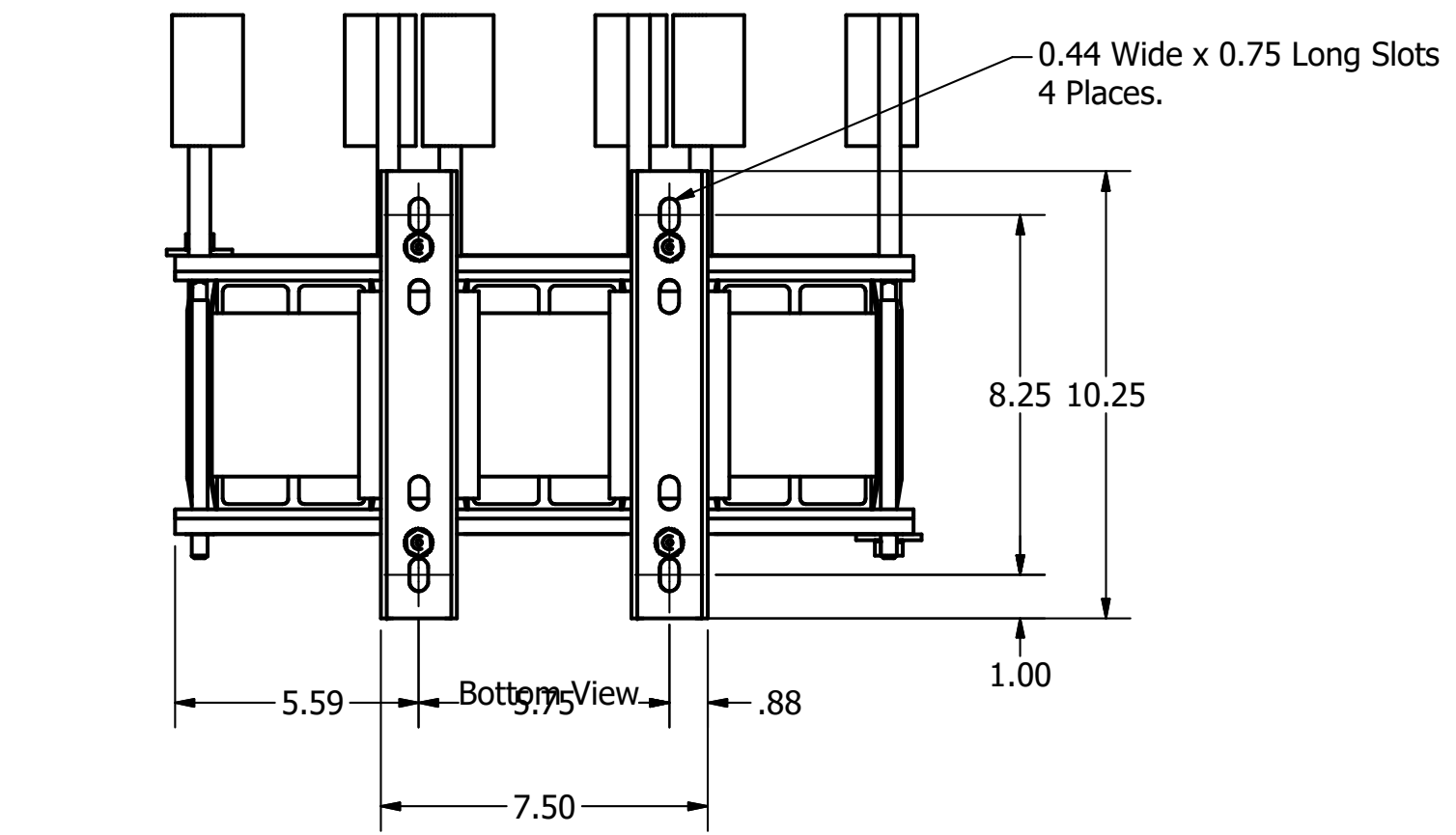


(Customer Connections) Markings On Coil For Reference Only.



* For single phase applications, use coils A and C, Isolate terminals B1 and B2.

480 Rated Voltage, 600 Max Voltage, High Z, Impedance.

Part Number	Horsepower (HP)	Motor Amps (A)	Maximum Amps (A)	Inductance (uH)	Weight (LBS)	Losses (W)	Available Lug Kit	Terminal Hole Size (Inches)
KDRX3H	900	1080	1100	28.9	308	1869	SLK17	0.53
KDRX4H	1000	1200	1200	26	317	1337	SLK17	0.53

480 Rated Voltage, 600 Max Voltage, Low Z, Impedance.

Part Number	Horsepower (HP)	Motor Amps (A)	Maximum Amps (A)	Inductance (uH)	Weight (LBS)	Losses (W)	Available Lug Kit	Terminal Hole Size (Inches)
KDRX3L	900	1080	1100	17.4	275	1121	SLK17	0.53
KDRX1L	1000	1200	1216	15.6	290	1246	SLK17	0.52

575 Rated Voltage, 600 Max Voltage, Low Z, Impedance.

Part Number	Horsepower (HP)	Motor Amps (A)	Maximum Amps (A)	Inductance (uH)	Weight (LBS)	Losses (W)	Available Lug Kit	Terminal Hole Size (Inches)
KDRX43L	1100	1056	1064	21.7	315	1313	SLK17	0.53
KDRX44L	1250	1200	1200	19.1	300	1493	SLK18	0.53

575 Rated Voltage, 600 Max Voltage, High Z, Impedance.

Part Number	Horsepower (HP)	Motor Amps (A)	Maximum Amps (A)	Inductance (uH)	Weight (LBS)	Losses (W)	Available Lug Kit	Terminal Hole Size (Inches)
KDRX41H	900	864	864	44.3	310	1791	SLK17	0.53
KDRX42H	1000	960	1000	39.8	375	1990	SLK17	0.53
KDRX43H	1100	1056	1064	36.2	450	2189	SLK17	0.53

TCI (800) 824-8282 transcoll.com

TCI, LLC
Germanstown, WI, USA
transcoll.com
800-824-8282

KDRUL Drive Reactor
KDR- Motor Amps —
3P4, 50/60Hz, —V Rated, 600V Max, —A Max
40C Amb Max, 155C Rise, RoHS
Manual #30895 LUG KIT #SLK—

UL LISTED
3RD COND. EQ. 2010

- Notes:
1. KDR Lug Kits sold separately. Contact TCI.
 2. For KDRUL Version With Terminal Lugs Attached, See Sheet 4
 3. UL file number: cULus Listed File E116124.
 4. KDR Drive Reactors Comply With The Thermal and Altitude Standards Set Forth by NEMA ST20-1992.
 5. KDR IOM Manual Part Number 30895
 6. NEC Current For 208/240 Volts, Horsepower Based On 208 Volts.
 7. Material(s) Shall be RoHS Compliant
 8. Customer Is Responsible For Installation To Meet All National And Local Electrical Codes.

TCI, LLC CLAIMS PROPRIETARY RIGHTS IN THE MATERIAL HEREIN DISCLOSED. IT IS SUPPLIED WITHOUT PREJUDICE TO ANY PATENT RIGHTS OF TCI AND MAY NOT BE REPRODUCED OR USED TO MANUFACTURE ANYTHING SHOWN THEREIN WITHOUT WRITTEN PERMISSION FROM TCI.

NO.	REVISION	DATE	BY

TOLERANCES (EXCEPT AS NOTED)
DECIMAL
XX ± .25
.XXX ± .10
FRACTIONAL
± 1/16
ANGULAR
± 1°

TCI W132 N10611 Grant Drive
Germanstown, WI 53022

KDR X Frame, Copper Bus
Reactor Drawing

DRN BY DSW DATE: 3/5/18 107539DG
SCALE: 1/3.2 APRVD: SIZE C

SHT. 3 OF 6