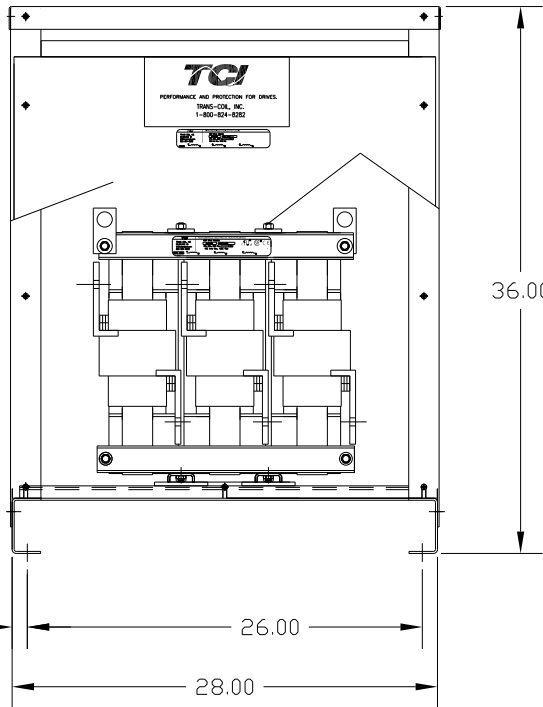
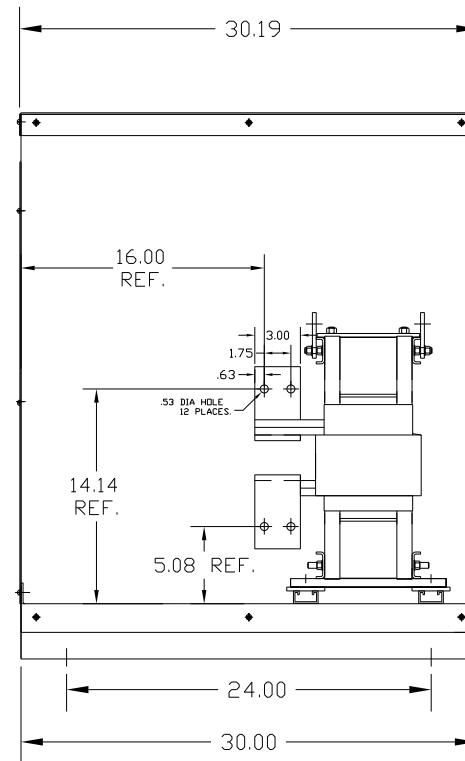


.50 DIA MOUNTING HOLES 4 PLACES.




CATALOG NO	VOLTAGE	NEC MOTOR HP	NEC MOTOR CURRENT	WATTS LOSS	APPROX. WEIGHT-LBS
KDRX42LC7	575/600	1000	960	1194	440

NEC MOTOR CURRENTS SHOWN IN THE 575/600 VOLT CHART ARE BASED ON HORSE POWERS AT 575 VOLT.



CUSTOMER IS RESPONSIBLE FOR INSTALLATION TO MEET ALL NATIONAL AND LOCAL ELECTRICAL CODES.

				TOLERANCES (EXCEPT AS NOTED)		 7878 N. 86th STREET MILWAUKEE, WI 53224	
				DECIMAL			
				.XX ± .03		KDR DRIVE REACTOR, ENCLOSED 600V LOW Z, FRAME X	
				.XXX ± .01			
				FRACTIONAL		DRN BY DSW DATE 02/15/12 DWG NO B KDRX42LC7DG	
				± 1/32		SCALE TO FIT APRVD:	
				ANGULAR		SHT. 1 OF 1	
				± 1/2°			
NO	REVISION	DATE	BY				