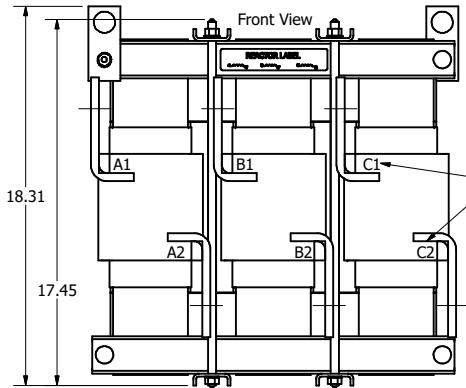


480 Rated Voltage, 600 Max Voltage, High Z, Impedance.								
Part Number	Horsepower (HP)	Motor Amps (A)	Maximum Amps (A)	Inductance (uH)	Weight (LBS)	Losses (W)	Available Lug Kit	Terminal Hole Size (Inches)
KDRX2H	800	960	965	32.5	305	1661	SLK16	0.53

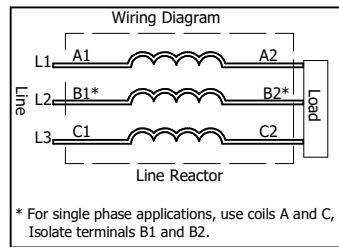
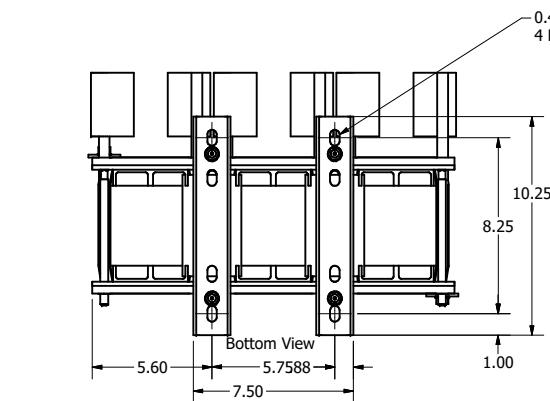
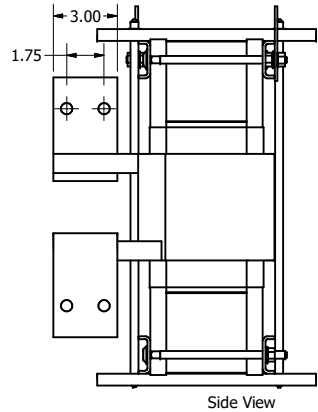
480 Rated Voltage, 600 Max Voltage, Low Z, Impedance.								
Part Number	Horsepower (HP)	Motor Amps (A)	Maximum Amps (A)	Inductance (uH)	Weight (LBS)	Losses (W)	Available Lug Kit	Terminal Hole Size (Inches)
KDRX2L	800	960	965	19.5	280	997	SLK16	0.53

575 Rated Voltage, 600 Max Voltage, High Z, Impedance.								
Part Number	Horsepower (HP)	Motor Amps (A)	Maximum Amps (A)	Inductance (uH)	Weight (LBS)	Losses (W)	Available Lug Kit	Terminal Hole Size (Inches)
KDRX44H	800	768	864	49.8	310	1100	SLK16	0.53

575 Rated Voltage, 600 Max Voltage, Low Z, Impedance.								
Part Number	Horsepower (HP)	Motor Amps (A)	Maximum Amps (A)	Inductance (uH)	Weight (LBS)	Losses (W)	Available Lug Kit	Terminal Hole Size (Inches)
KDRX41L	900	864	900	26.6	280	1075	SLK16	0.53
KDRX42L	1000	960	1000	23.9	280	1194	SLK16	0.53



(Customer Connections) Markings On Coils For Reference Only.



* For single phase applications, use coils A and C, Isolate terminals B1 and B2.

TCI (800) 824-8282 transcoll.com
 TCI, LLC Germantown, WI USA. transcoll.com 800-824-8282
 KDRUL Drive Reactor
 KDR- Motor Amps ---
 3PH, 50/60Hz, ---V Rated, 600V Max, -A Max
 40C Amp Max, 155C Rise, RoHS
 Manual #30896 LUG KIT #SLK16

- Notes:
1. KDR Lug Kits sold separately. Contact TCI.
 2. For KDRUL Version With Terminal Lugs Attached, See Sheet 2
 3. UL file number: cULus Listed File E116124.
 4. KDR Drive Reactors Comply With The Thermal and Altitude Standards Set Forth by NEMA ST20-1992.
 5. KDR IOM Manual Part Number 30895
 6. NEC Current For 208/240 Volts, Horsepower Based On 208 Volts.
 7. Material(s) Shall be RoHS Compliant
 8. Customer Is Responsible For Installation To Meet All National And Local Electrical Codes.

TCI, LLC CLAIMS PROPRIETARY RIGHTS IN THE MATERIAL HEREIN DISCLOSED. IT IS SUPPLIED WITHOUT PREJUDICE TO ANY PATENT RIGHTS OF TCI AND MAY NOT BE REPRODUCED OR USED TO MANUFACTURE ANYTHING SHOWN THEREIN WITHOUT WRITTEN PERMISSION FROM TCI.				TOLERANCES (EXCEPT AS NOTED) DECIMAL .XX ± .25 .XXX ± .10 FRACTIONAL ± 1/16 ANGULAR ± 1°		W132 N10611 Grant Drive Germantown, WI 53022 KDR X Frame, Copper Bus Reactor Drawing 107539DG DATE: 3/5/18 SCALE: 1/4.5 SHEET 1 OF 6	
A	Combined Drawings	3/5/18	DSW	NO	REVISION	DATE	BY