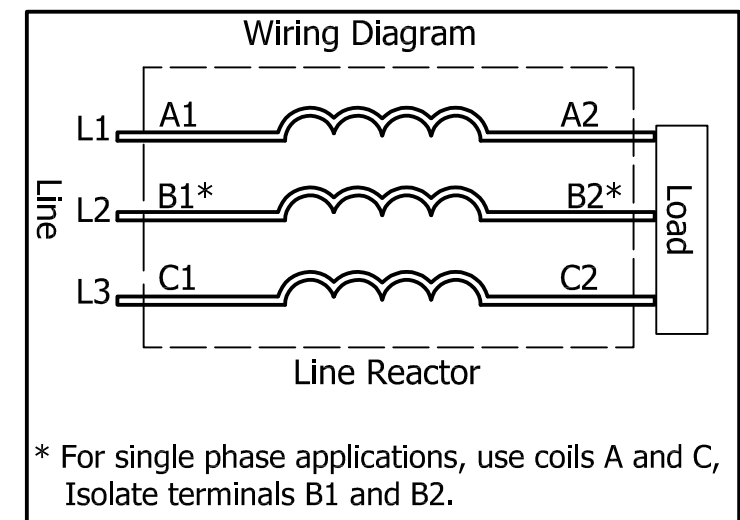


Ground Lug.
See IOM Manual, Part# 30895
Table 2S350, Wire Size And Torque.

Suggested
Customer Wire Entrance
Bottom Of Enclosure.
See Note: 8
(Non Removeable Panel)

Suggested
Customer Entrance
Either Side Of Enclosure.
See Note: 8
(Non Removeable Panel)

(Customer Connections)
Markings On Coils
For Reference Only.

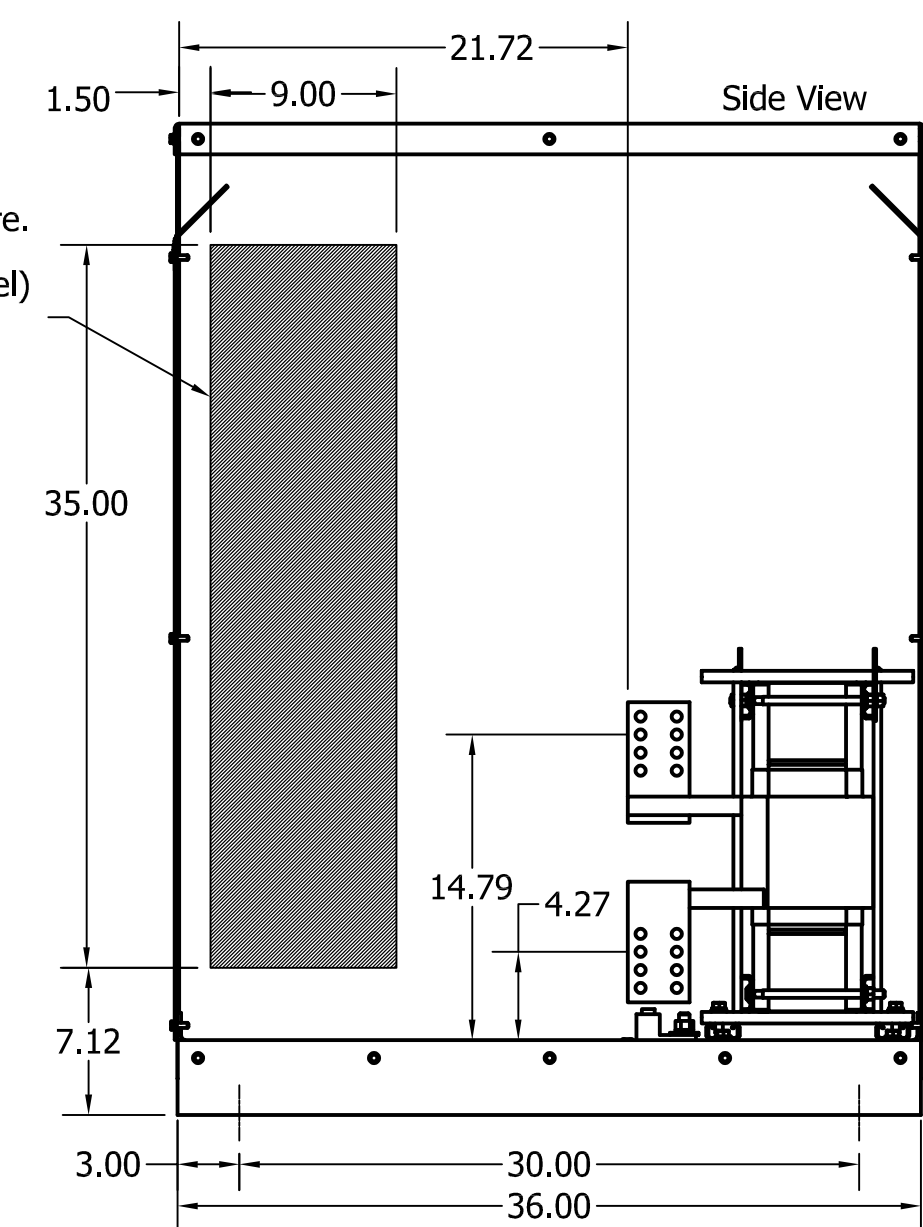


480 Rated Voltage, 600 Max Voltage, High Z, Impedance.								
Part Number	Horsepower (HP)	Motor Amps (A)	Maximum Amps (A)	Inductance (uH)	Weight (LBS)	Losses (W)	Available Lug Kit	Terminal Hole Size (Inches)
KDRX3HE01	900	1080	1100	28.9	618	1869	SLK17	0.53
KDRX4HE01	1000	1200	1200	26	627	1337	SLK17	0.53

480 Rated Voltage, 600 Max Voltage, Low Z, Impedance.								
Part Number	Horsepower (HP)	Motor Amps (A)	Maximum Amps (A)	Inductance (uH)	Weight (LBS)	Losses (W)	Available Lug Kit	Terminal Hole Size (Inches)
KDRX3LE01	900	1080	1100	17.4	585	1121	SLK17	0.53
KDRX1LE01	1000	1200	1216	15.6	600	1246	SLK17	0.52

575 Rated Voltage, 600 Max Voltage, Low Z, Impedance.								
Part Number	Horsepower (HP)	Motor Amps (A)	Maximum Amps (A)	Inductance (uH)	Weight (LBS)	Losses (W)	Available Lug Kit	Terminal Hole Size (Inches)
KDRX43LE01	1100	1056	1064	21.7	625	1313	SLK17	0.53

575 Rated Voltage, 600 Max Voltage, High Z, Impedance.								
Part Number	Horsepower (HP)	Motor Amps (A)	Maximum Amps (A)	Inductance (uH)	Weight (LBS)	Losses (W)	Available Lug Kit	Terminal Hole Size (Inches)
KDRX41HE01	900	864	864	44.3	620	1791	SLK17	0.53
KDRX42HE01	1000	960	1000	39.8	685	1990	SLK17	0.53
KDRX43HE01	1100	1056	1064	36.2	760	2189	SLK17	0.53



TCI (800) 824-8282 transcoll.com

TCI, LLC
Germantown, WI, USA
transcoll.com
800-824-8282

KDRUL Drive Reactor
KDR- Motor Amps ---
3PH, 50/60Hz, ---V Rated, 600V Max, -A Max
40C Amb Max, 155C Max, RoHS
Manual #30895 LUG KIT #SLK---

UL LISTED
cULus LISTED

DATE CODE

- Notes:
1. KDR Lug Kits sold separately. Contact TCI.
 2. For KDRUL Version With Terminal Lugs Attached, See Sheet 4
 3. UL file number: cULus Listed File E116124.
 4. KDR Drive Reactors Comply With The Thermal and Altitude Standards Set Forth by NEMA ST20-1992.
 5. KDR IOM Manual Part Number 30895
 6. NEC Current For 208/240 Volts, Horsepower Based On 208 Volts.
 7. Material(s) Shall be RoHS Compliant
 8. Customer Is Responsible For Installation To Meet All National And Local Electrical Codes.

TCI, LLC CLAIMS PROPRIETARY RIGHTS IN THE MATERIALS HEREIN DISCLOSED. IT IS SUPPLIED WITHOUT PREJUDICE TO ANY PATENT RIGHTS OF TCI AND MAY NOT BE REPRODUCED OR USED TO MANUFACTURE ANYTHING SHOWN THEREIN WITHOUT WRITTEN PERMISSION FROM TCI.

TOLERANCES (EXCEPT AS NOTED)			
DECIMAL			
.XX	± .25		
.XXX	± .10		
FRACTIONAL			
± 1/16			
ANGULAR			
± 1°			

TCI W132 N10611 Grant Drive
Germantown, WI 53022

KDR X Frame, Copper Bus, Enclosed
Type 1, Reactor Drawing

DRN BY: DSW DATE: 4/16/18 SIZE: 107616DG

SCALE: 1/10 APRVD: C

SHT 3 OF 8

NO	REVISION	DATE	BY
A	As Designed	4/16/18	DSW