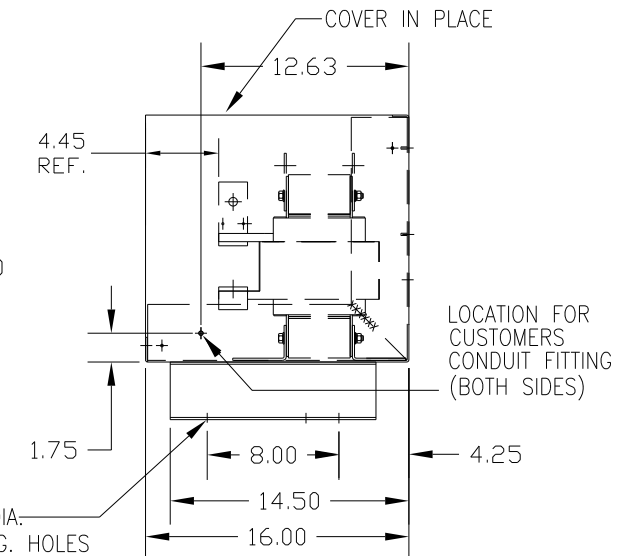
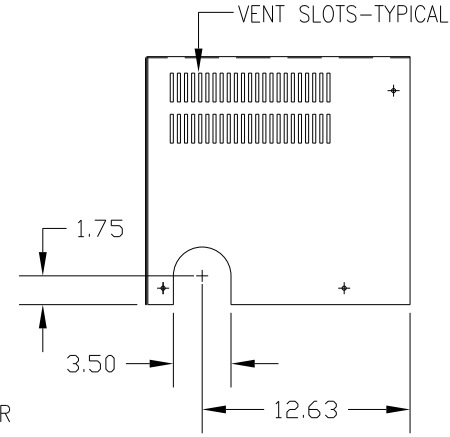
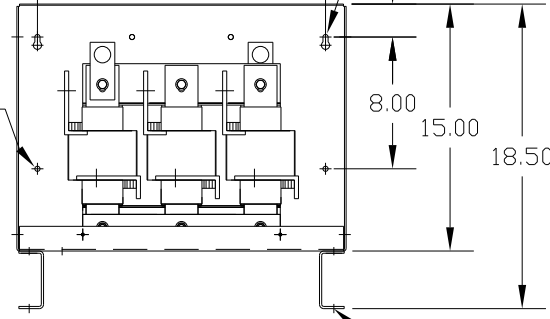
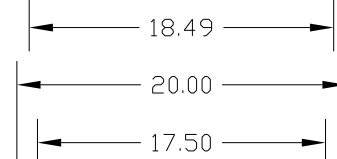
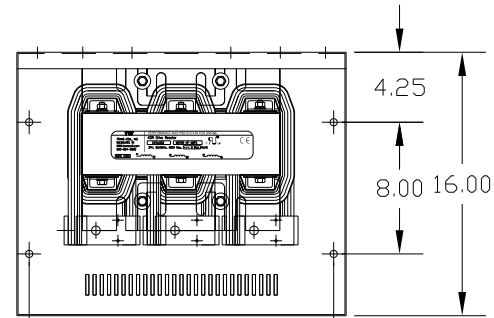
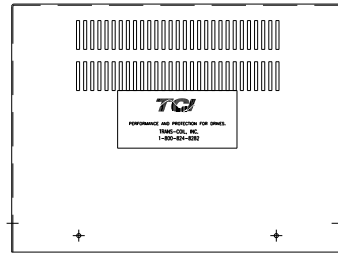
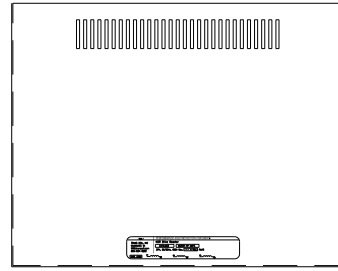


CATALOG NO	VOLTAGE	NEC MOTOR HP	NEC MOTOR CURRENT	WATTS LOSS	TERMINAL HOLE SIZE	APPROX WT-LBS
KDRS49HC5V	690	600	576	1194	.53	225



.328 DIA.
2 HOLES

KEYSLOTS FOR
1/4 SCREWS
2 PLACES

COVER IN PLACE

LOCATION FOR
CUSTOMERS
CONDUIT FITTING
(BOTH SIDES)

.44 DIA.
4 MTG. HOLES

CUSTOMER IS RESPONSIBLE FOR INSTALLATION
TO MEET ALL NATIONAL AND LOCAL ELECTRICAL CODES.

				TOLERANCES (EXCEPT AS NOTED)		7878 N. 86th STREET MILWAUKEE, WI 53224
				DECIMAL		
				.XX ± .03 .XXX ± .01		
				FRACTIONAL ± 1/32		
				ANGULAR ± 1/2°		KDR DRIVE REACTOR, ENCLOSED 690V HIGH Z, FRAME S
NO	REVISION	DATE	BY	SCALE	APPRV	
						DWG. NO. KDRS49HC5VDG SHT. 1 OF 1