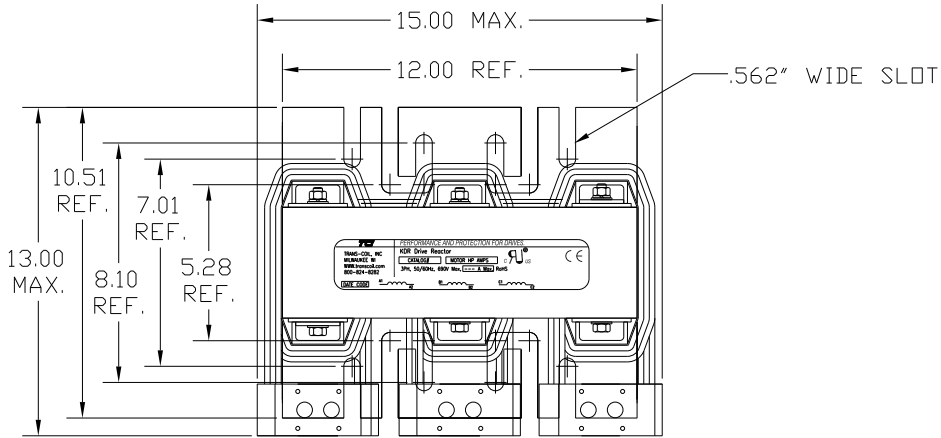
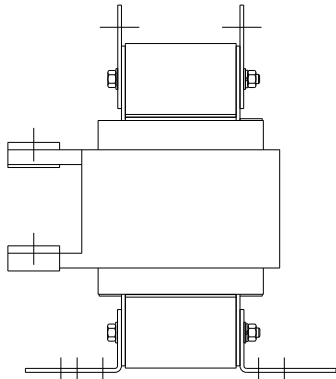
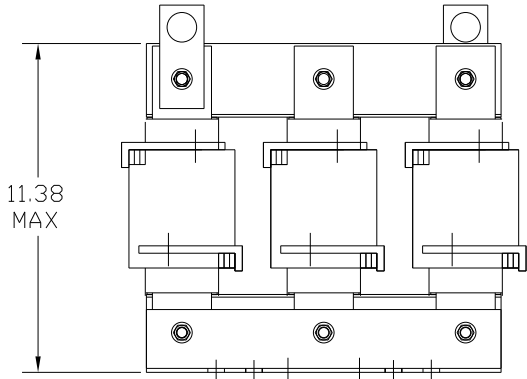


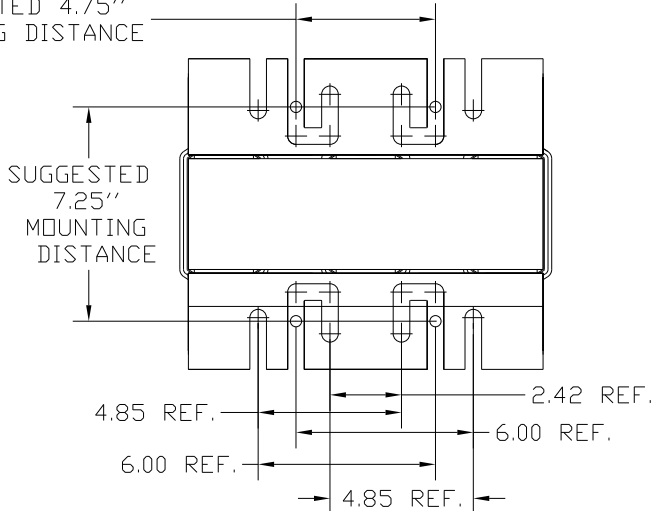
VOLTAGE	NEC MOTOR HP	CATALOG NO	NEC MOTOR CURRENT	AMPS MAX	WATTS LOSS	APPROX WT-LBS	TERMINAL HOLE SIZE
690	450	KDRS47HV	412	440	521	165	.53 DIA



TCI PERFORMANCE AND PROTECTION FOR DRIVES.
KDR Drive Reactor
 TRANS-COIL, INC. MILWAUKEE WI WWW.transcoil.com 800-824-8282
 CATALOG# MOTOR HP AMPS C μ US CE
 3PH, 50/60Hz, 690V Max, [--- A Max] RoHS
 [DATE CODE] A1 A2 B1 B2 C1 C2



SUGGESTED 4.75" MOUNTING DISTANCE



				TOLERANCES (EXCEPT AS NOTED)		TCI 7878 N. 86th STREET MILWAUKEE, WI 53224	
				DECIMAL			
				.XX ± .03		KDR DRIVE REACTOR 690V HIGH Z, FRAME S	
				.XXX ± .01			
				FRACTIONAL		DRN BY DSW DATE 02/06/07 DWG NO. B KDRS47HVDG	
				± 1/32		SCALE TO FIT	
				ANGULAR		APRVD. B SHT. 1 OF 1	
				± 1/2°			
NO	REVISION	DATE	BY				