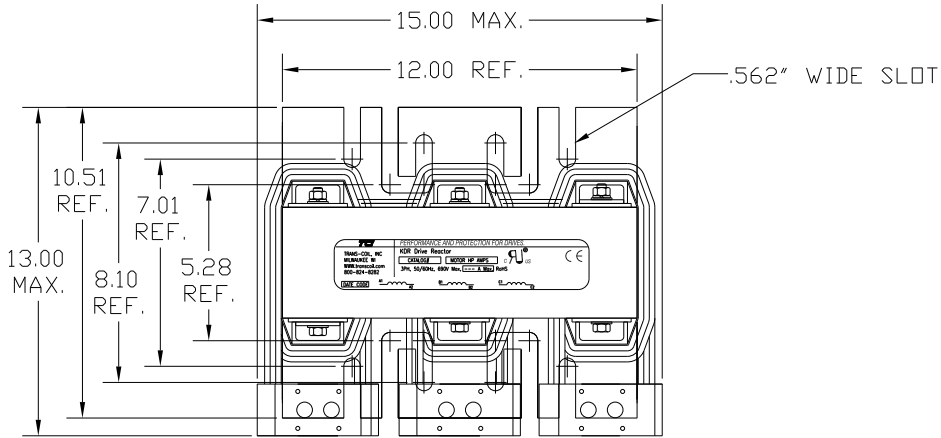
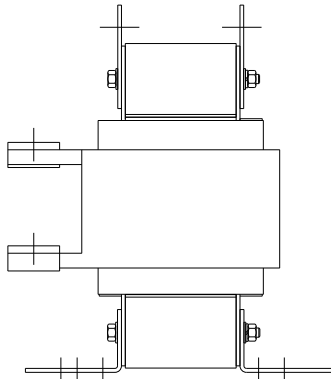
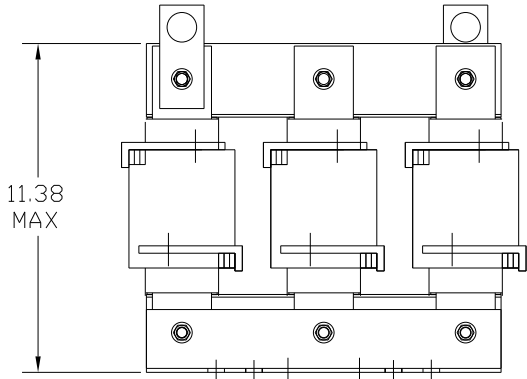


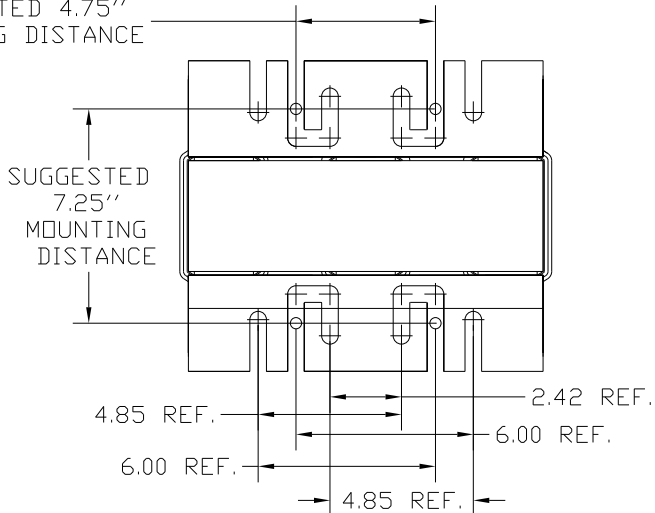
VOLTAGE	NEC MOTOR HP	CATALOG NO	NEC MOTOR CURRENT	AMPS MAX	WATTS LOSS	APPROX WT-LBS	TERMINAL HOLE SIZE
690							
HIGH-Z	500	KDRS46HV	472	500	660	165	.53 DIA



**TCI** PERFORMANCE AND PROTECTION FOR DRIVES.  
**KDR Drive Reactor**  
 TRANS-COIL, INC. MILWAUKEE WI WWW.transcoil.com 800-824-8282  
 CATALOG# MOTOR HP AMPS C  $\mu$  US CE  
 3PH, 50/60Hz, 690V Max, [--- A Max] RoHS  
 [DATE CODE] A1 A2 B1 B2 C1 C2



SUGGESTED 4.75" MOUNTING DISTANCE



				TOLERANCES (EXCEPT AS NOTED)		<b>TCI</b> 7878 N. 86th STREET MILWAUKEE, WI 53224	
				DECIMAL			
				.XX ± .03		KDR DRIVE REACTOR 690V HIGH Z, FRAME S	
				.XXX ± .01			
				FRACTIONAL		DRN BY DSW DATE 02/06/07 DWG NO. B KDRS46HVDG	
				± 1/32		SCALE TO FIT	
				ANGULAR		APRVD. B SHT. 1 OF 1	
				± 1/2°			
NO	REVISION	DATE	BY				