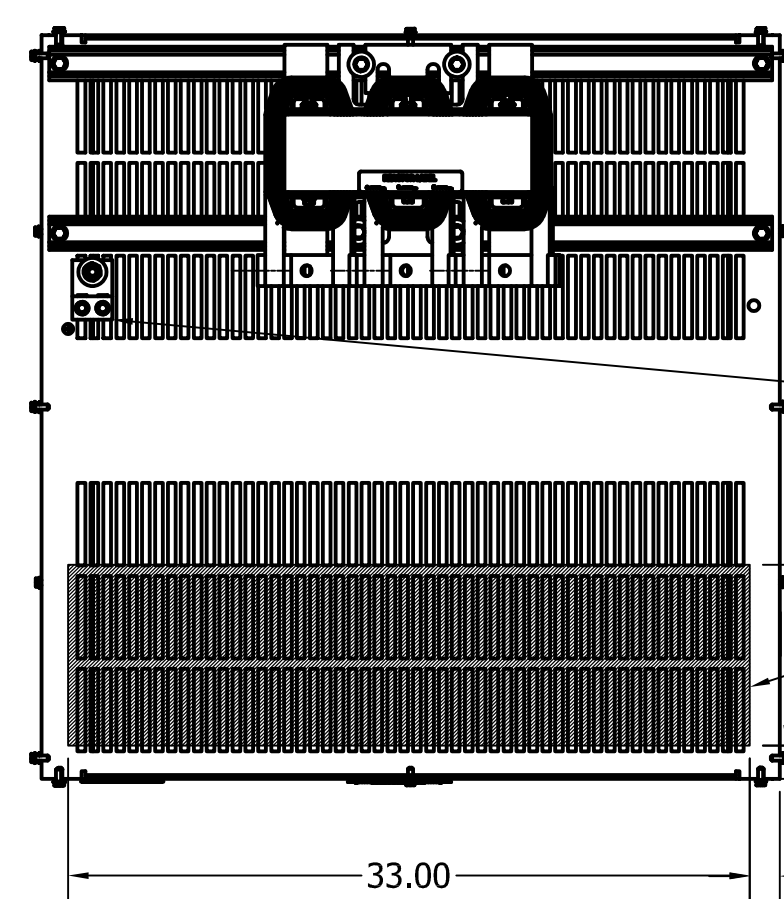
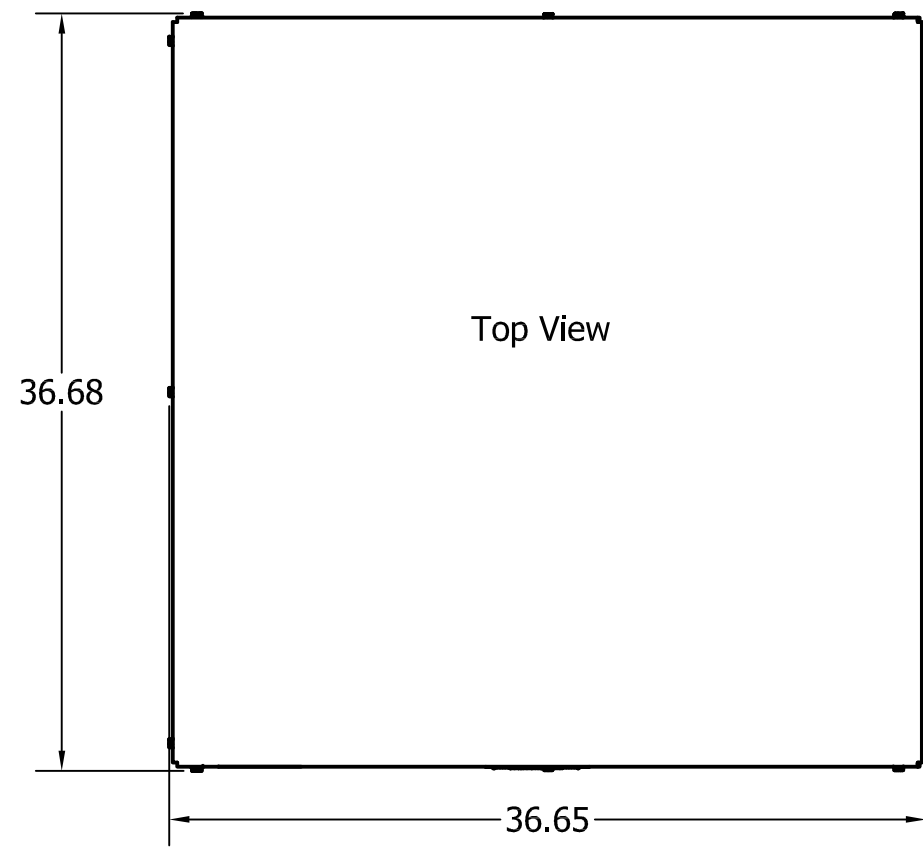


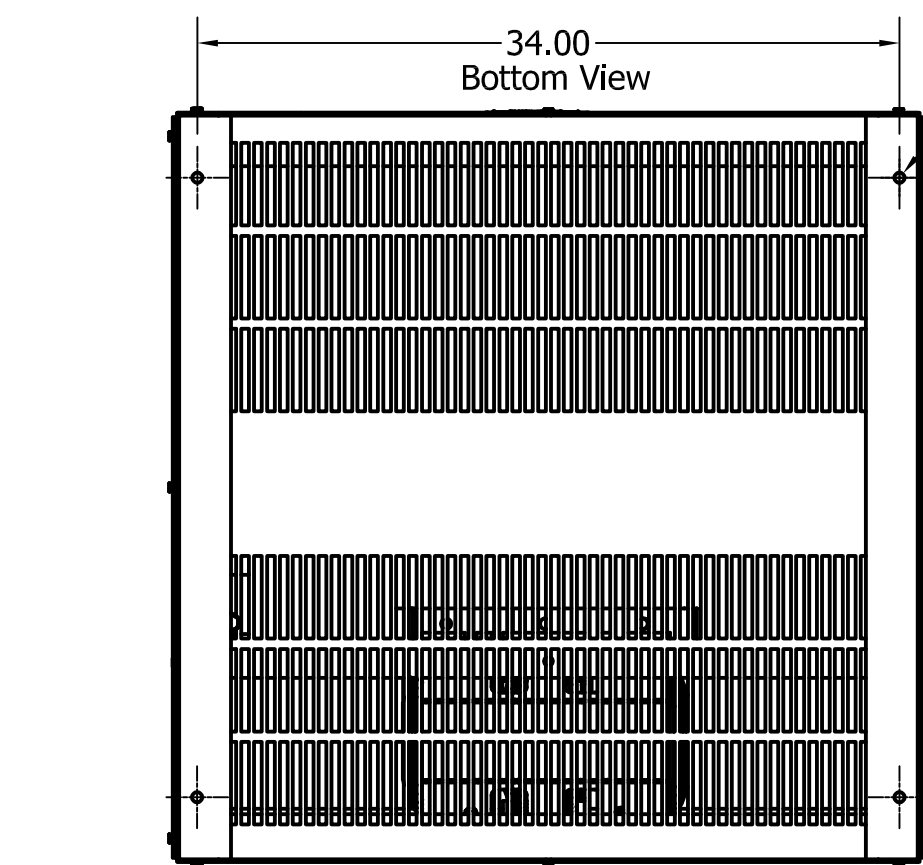
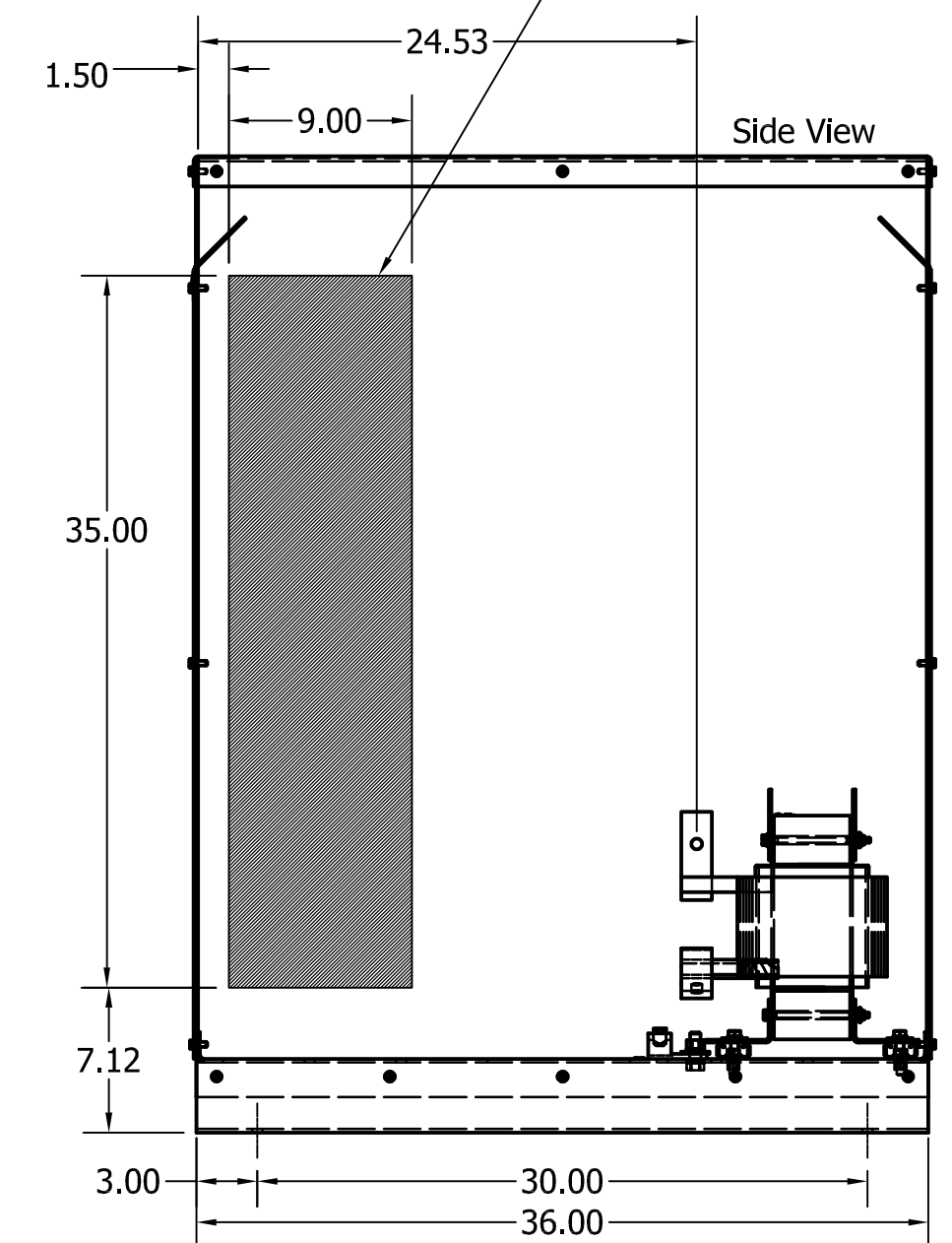
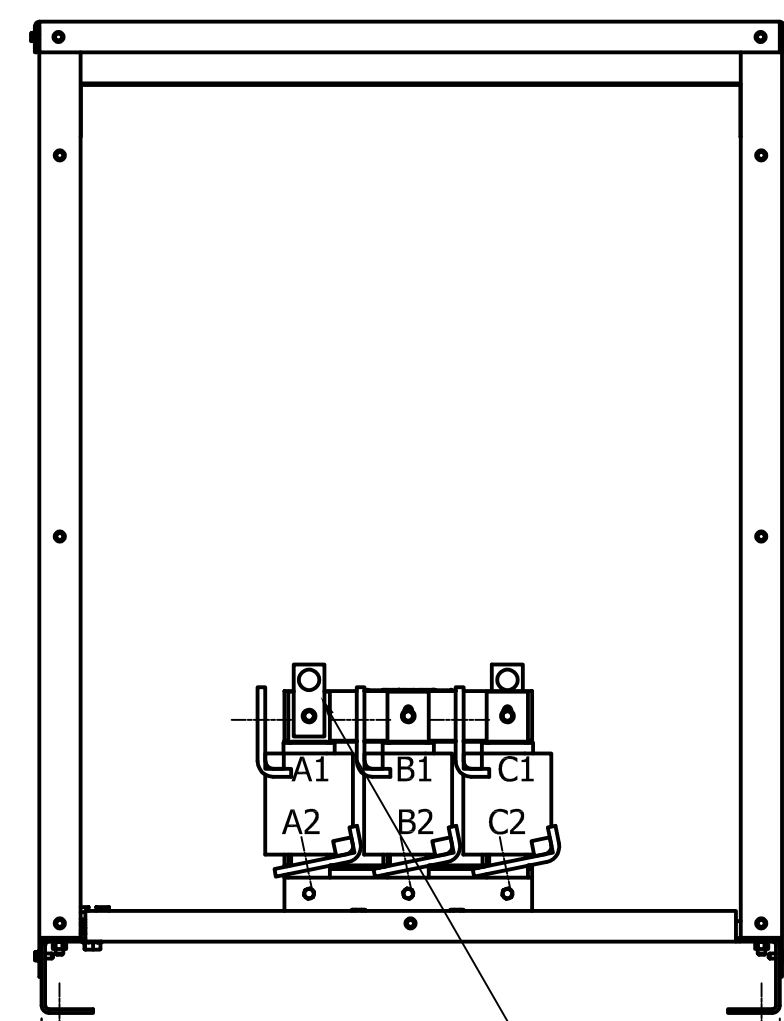
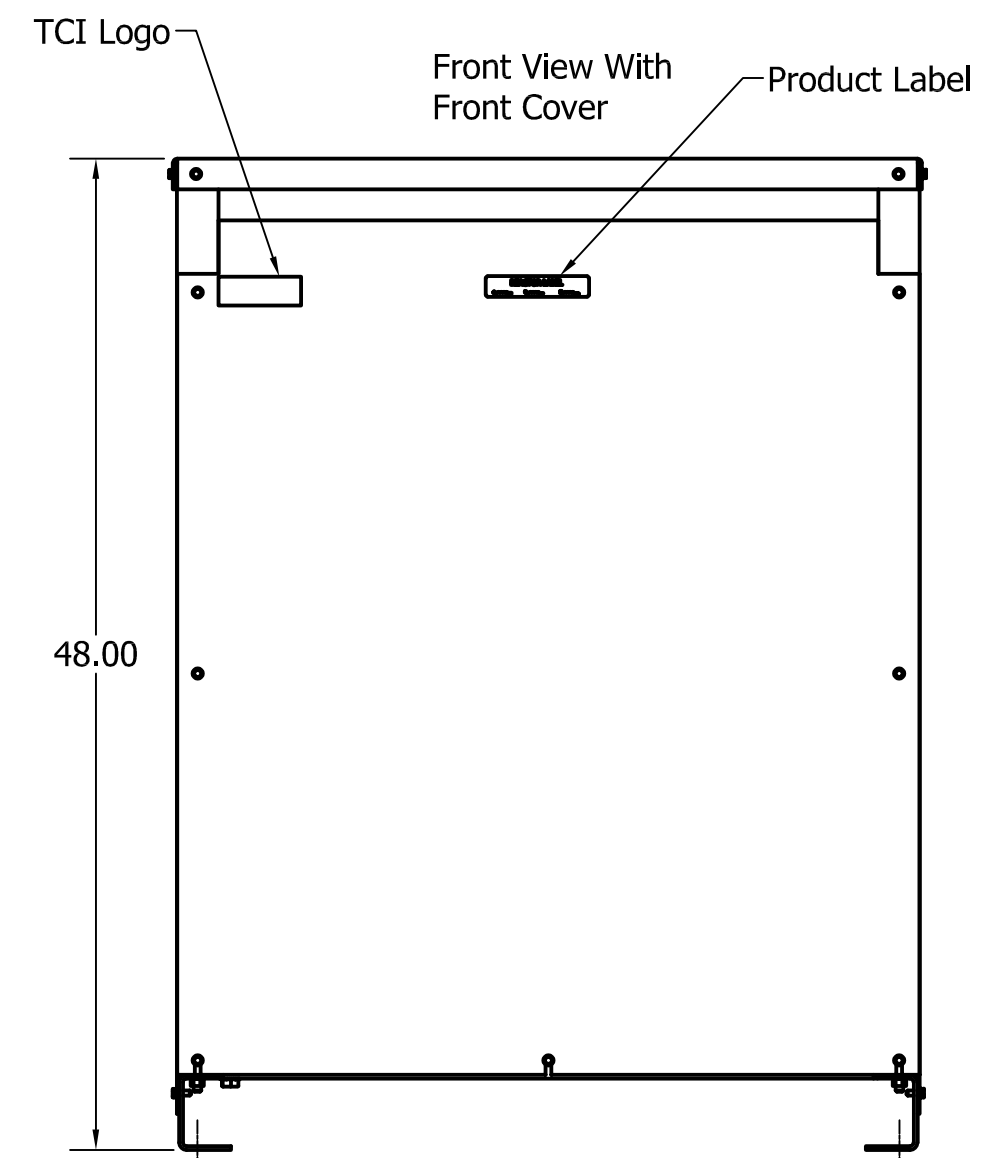
480 Rated Voltage, 600 Max Voltage, High Z, Impedance.								
Part Number	Horsepower (HP)	Motor Amps (A)	Maximum Amps (A)	Inductance (uH)	Weight (LBS)	Losses (W)	Available Lug Kit	Terminal Hole Size (Inches)
KDRS1HE01	600	720	750	43.4	582	1246	SLK15	0.53



Ground Lug.  
See IOM Manual, Part# 30895  
Table 2S350, Wire Size And Torque.

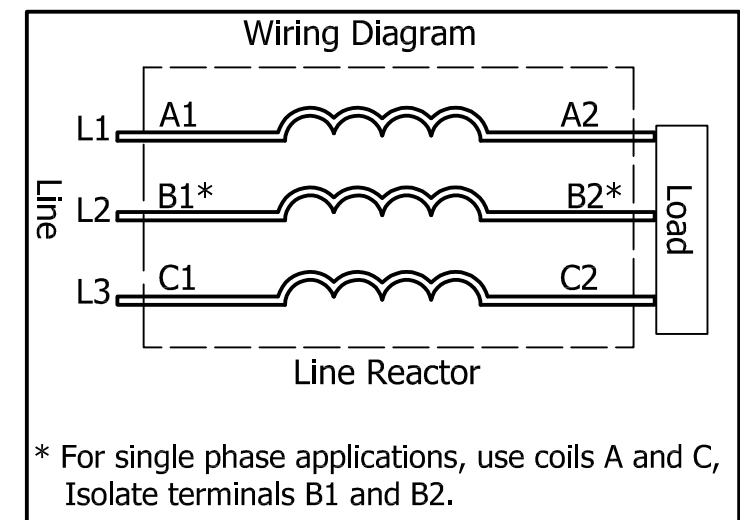
Suggested Customer Wire Entrance Bottom Of Enclosure. See Note: 8 (Non Removeable Panel)

Suggested Customer Entrance Either Side Of Enclosure. See Note: 8 (Non Removeable Panel)



0.50 Dia Mounting Holes  
4 Places.

(Customer Connections) Markings On Coils For Reference Only.



**TCI** (800) 824-8282 transcoil.com

TCI, LLC  
Germantown, WI, USA  
transcoil.com  
800-824-8282

KDRUL Drive Reactor  
KDR - Motor Amps -  
3PH, 50/60Hz, -V Rated, 600V Max, -A Max  
40C Amb Max, 155C Max, RoHS  
Manual #30895 LUG KIT #SLK-

UL LISTED CE  
UL 508 LISTED  
508 COMB. EQ. TYPE

DATE CODE

- Notes:
1. KDR Lug Kits sold separately. Contact TCI.
  2. For KDRUL Version With Terminal Lugs Attached, See Sheet 4
  3. UL file number: cULus Listed File E116124.
  4. KDR Drive Reactors Comply With The Thermal and Altitude Standards Set Forth by NEMA ST20-1992.
  5. KDR IOM Manual Part Number 30895
  6. NEC Current For 208/240 Volts, Horsepower Based On 208 Volts.
  7. Material(s) Shall be RoHS Compliant
  8. Customer Is Responsible For Installation To Meet All National And Local Electrical Codes.

TCI, LLC CLAIMS PROPRIETARY RIGHTS IN THE MATERIAL HEREIN DISCLOSED. IT IS SUPPLIED WITHOUT PREJUDICE TO ANY PATENT RIGHTS OF TCI AND MAY NOT BE REPRODUCED OR USED TO MANUFACTURE ANYTHING SHOWN THEREIN WITHOUT WRITTEN PERMISSION FROM TCI.

TOLERANCES (EXCEPT AS NOTED)			
DECIMAL			
.XX	± .25		
.XXX	± .10		
FRACTIONAL			
± 1/16			
ANGULAR			
± 1°			

**TCI** W132 N10611 Grant Drive  
Germantown, WI 53022

KDR S Frame, Copper Bus, Enclosed  
Type 1, Reactor Drawing

DRN BY: DSW	DATE: 4/16/18	SIZE: 107615DG
SCALE: 1/10	APRVD:	SIZE: C

SHT.3 OF 8