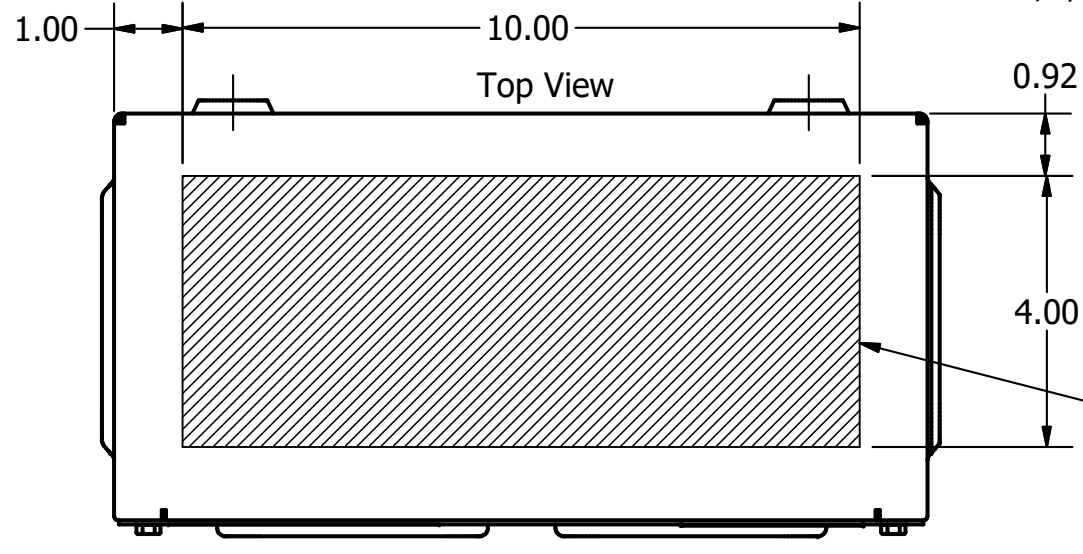


SECTION A-A  
SCALE 1/3

Ground Lug.  
See IOM Manual, Part# 30895  
Table S2/0, Wire Size And Torque.



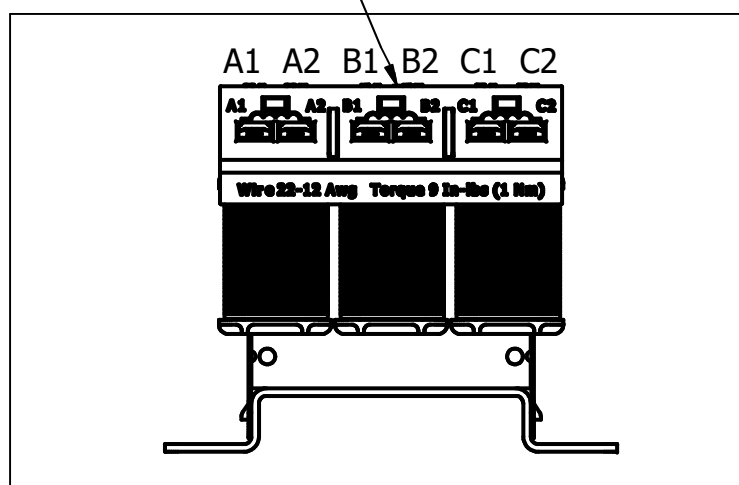
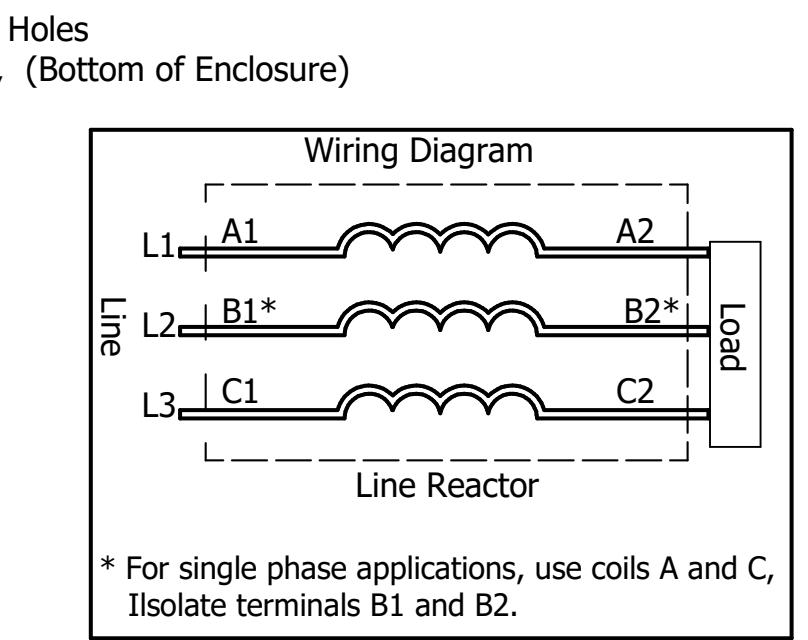
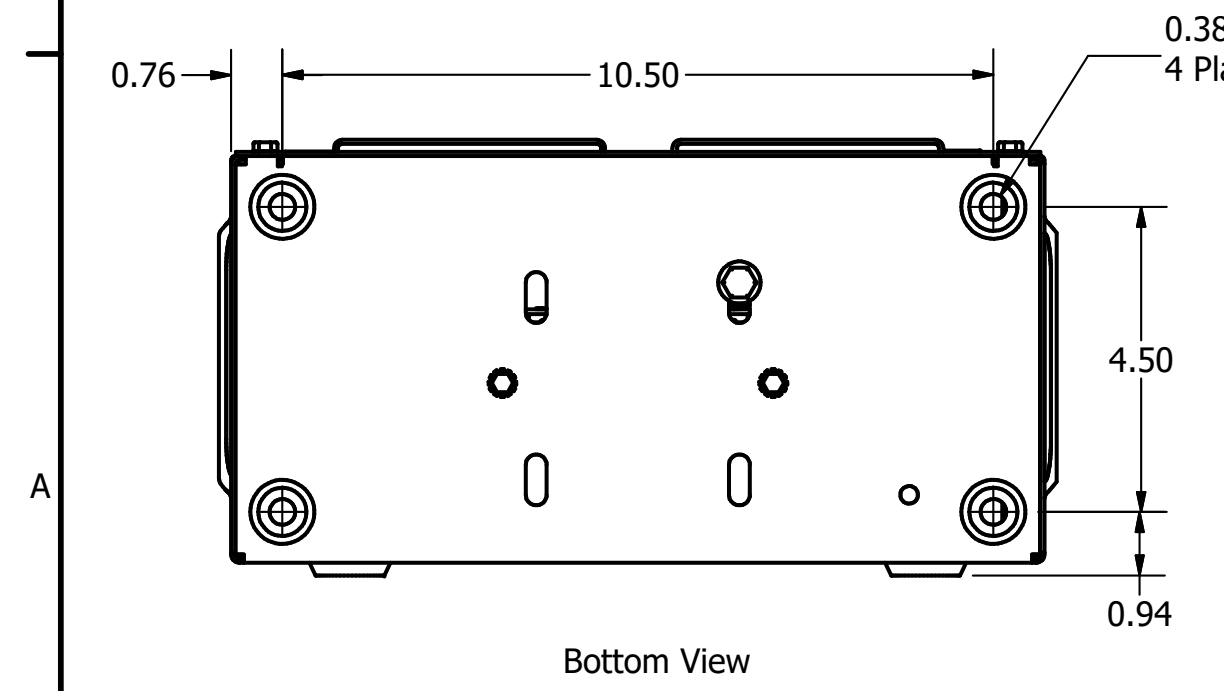
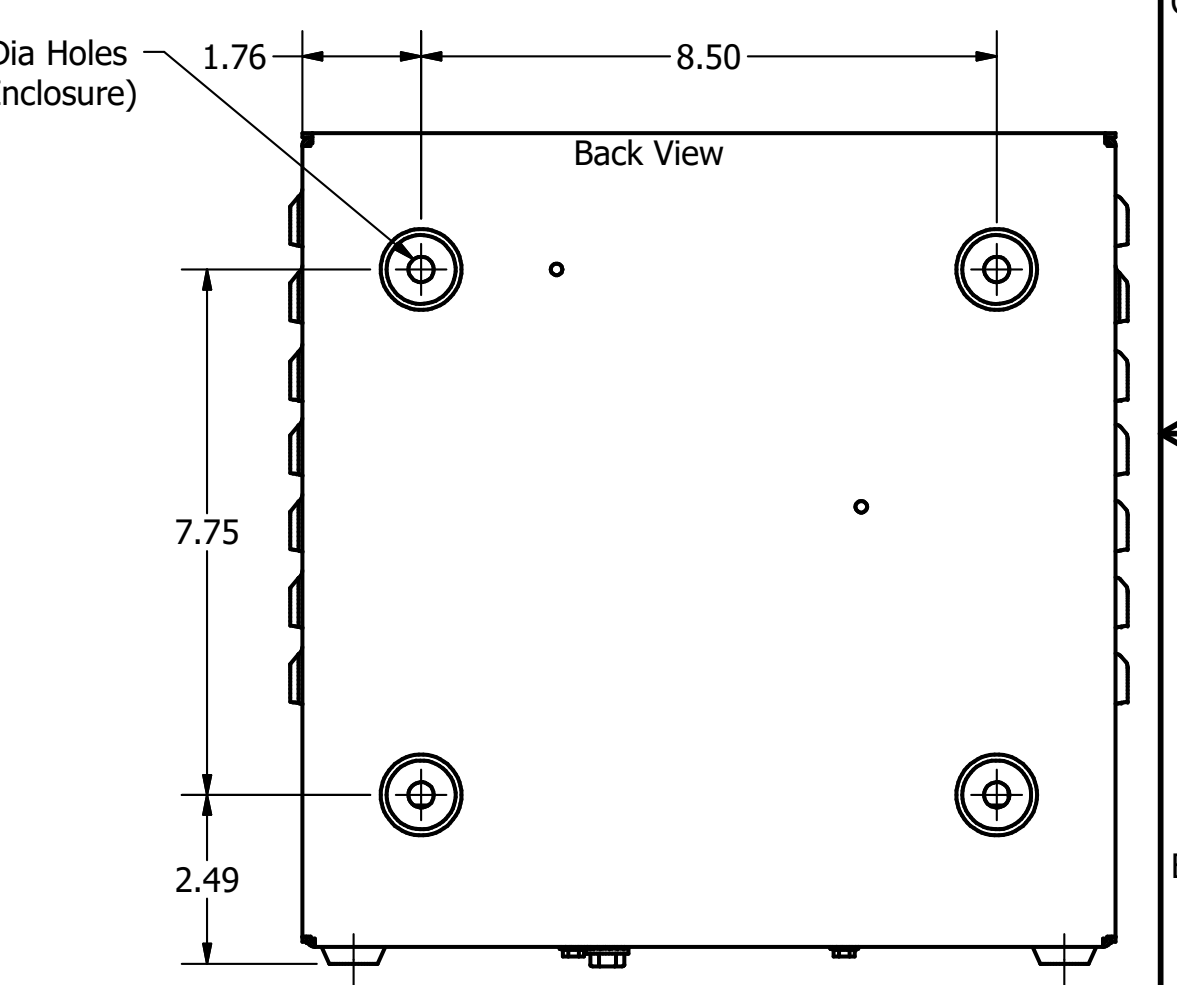
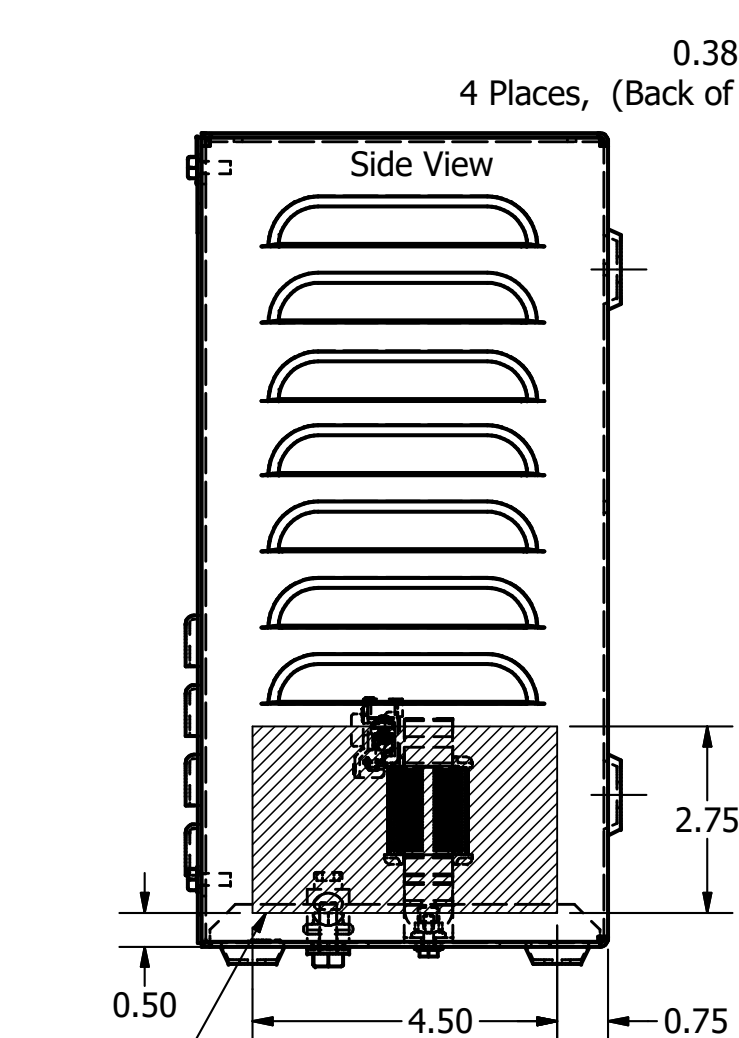
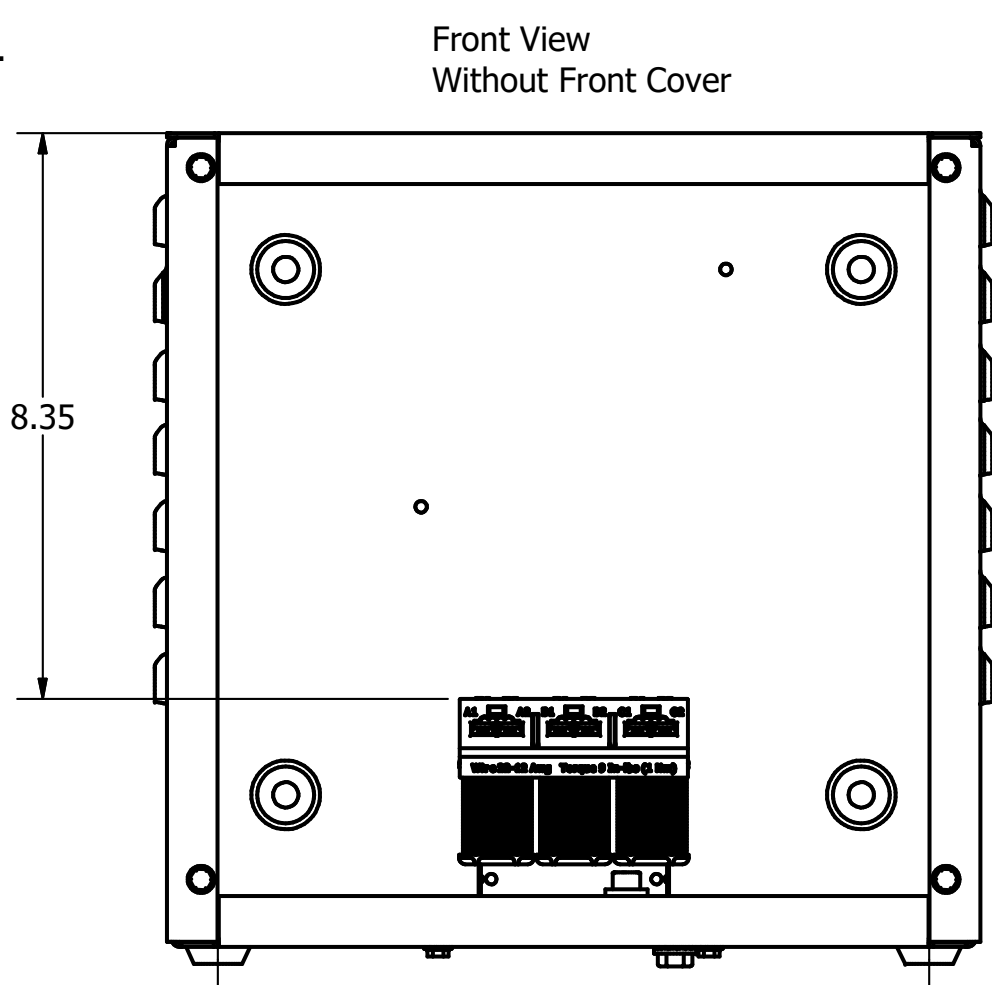
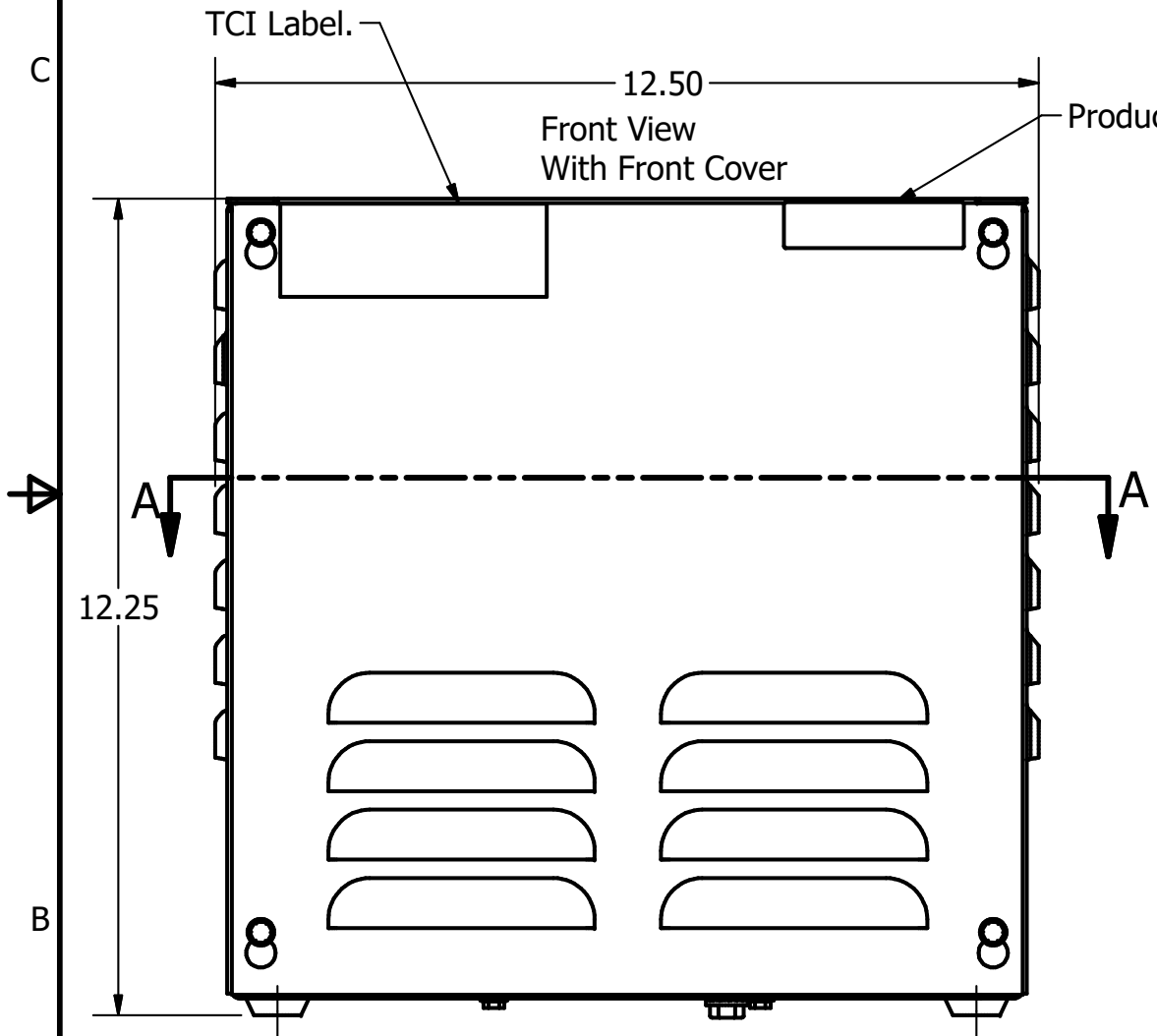
Suggested  
Customer Wire Entrance  
Top Of Enclosure.  
See Note: 5  
(Non Removeable Panel)

480 Rated Voltage, 690 Max Voltage, High Z, Impedance.						
Part Number	Horsepower (HP)	Motor Amps (A)	Maximum Amps (A)	Inductance (uH) +/-10%	Weight (LBS)	Losses (W)
KDRMA1H1E01	1/4	0.70	1.4	52500	11.7	7.9
KDRMA2H1E01	1/3	0.80	1.4	45900	11.9	9.2
KDRMA3H1E01	1/2	1.10	1.6	33400	11.7	14.3
KDRMA4H1E01	3/4	1.60	2.1	23000	11.8	19.3
KDRMA5H1E01	1	2.10	2.3	17500	11.8	26.7
KDRMA6H1E01	1 1/2	3.0	3.6	12300	12.0	30.0

480 Rated Voltage, 690 Max Voltage, Low Z, Impedance.						
Part Number	Horsepower (HP)	Motor Amps (A)	Maximum Amps (A)	Inductance (uH) +/-10%	Weight (LBS)	Losses (W)
KDRMA1L1E01	1/4	0.70	1.4	31500	11.7	5.0
KDRMA2L1E01	1/3	0.80	1.7	27600	11.7	6.2
KDRMA3L1E01	1/2	1.10	1.6	20000	11.7	9.7
KDRMA4L1E01	3/4	1.60	2.3	13800	11.7	12.1
KDRMA5L1E01	1	2.10	2.3	10500	11.6	25.2
KDRMA6L1E01	1 1/2	3.00	3.4	7400	11.8	26.4
KDRMA7L1E01	2	3.40	4.2	6500	11.8	23.5
KDRMA8L1E01	3	4.80	5.0	4600	11.8	30.6

600 Rated Voltage, 690 Max Voltage, High Z, Impedance.						
Part Number	Horsepower (HP)	Motor Amps (A)	Maximum Amps (A)	Inductance (uH) +/-10%	Weight (LBS)	Losses (W)
KDRMA41H1E01	1/4	0.50	0.80	91900	11.7	5.9
KDRMA42H1E01	1/3	0.70	0.75	65600	11.6	9.1
KDRMA43H1E01	1/2	0.90	1.1	51000	11.9	12.9
KDRMA44H1E01	3/4	1.30	1.6	35300	12.0	14.6
KDRMA45H1E01	1	1.70	2.1	27000	11.9	27.0

600 Rated Voltage, 690 Max Voltage, Low Z, Impedance.						
Part Number	Horsepower (HP)	Motor Amps (A)	Maximum Amps (A)	Inductance (uH) +/-10%	Weight (LBS)	Losses (W)
KDRMA41L1E01	1/4	0.50	0.80	55100	11.6	3.9
KDRMA42L1E01	1/3	0.70	1.1	39400	11.6	6.1
KDRMA43L1E01	1/2	0.90	1.6	30600	11.5	8.5
KDRMA44L1E01	3/4	1.30	2.1	21200	11.7	10.9
KDRMA45L1E01	1	1.70	2.1	16200	11.7	16.2
KDRMA46L1E01	1 1/2	2.40	3.4	11500	11.8	17.2
KDRMA47L1E01	2	2.70	3.2	10200	11.9	20.5



Suggested  
Customer Entrance  
Either Side Of Enclosure.  
See Note: 5  
(Non Removeable Panel)

Wire Range: 22-12 AWG.  
Torque : 9 In-lbs (1 Nm)

**TCT** TCI, LLC | Germantown, WI | transcoil.com

**KDR Drive Reactor**  
KDR — Motor Amps —  
3PH 50/60Hz, —V Rated, 690V Max, —A Max, RoHS  
50C Amb Max 135C Rise, Manual # 30895

UL LISTED  
50 CMT. EQ. I.M.D.

CE

Date Code

- Notes: 1. UL file number: cULus Listed File E116124.  
2. KDR Drive Reactors Comply With The Thermal and Altitude Standards Set Forth by NEMA ST20-1992.  
3. KDR IOM Manual Part Number 30895  
4. Material(s) Shall be RoHS Compliant  
5. User To Punch Own Holes For Wire Entry.  
6. Customer Is Responsible For Installation To Meet All National And Local Electrical Codes.

TCT, LLC CLAIMS PROPRIETARY RIGHTS IN THE MATERIAL HEREIN DISCLOSED. IT IS SUPPLIED WITHOUT PREJUDICE TO ANY PATENT RIGHTS OF TCI AND MAY NOT BE REPRODUCED OR USED TO MANUFACTURE ANYTHING SHOWN THEREIN WITHOUT WRITTEN PERMISSION FROM TCI.

TOLERANCES (EXCEPT AS NOTED)			
DECIMAL			
	XX ± .25		
	.XXX ± .10		
FRACTIONAL			
	± 1/16		
ANGULAR			
	± 1°		
A	As Designed	10/20/17	DSW
NO	REVISION	DATE	BY
		10/20/17	DSW
		1/3	APRVD
		107122DG	SIZE
		1	SHT 1 OF 1

**TCT** W132 N10611 Grant Drive  
Germantown, WI 53022

KDR MA Frame, Terminal Block, Enclosed,  
Type 1  
Reactor Drawing

DRN BY: DSW DATE: 10/20/17 107122DG  
SCALE: 1/3 APRVD: SIZE: C