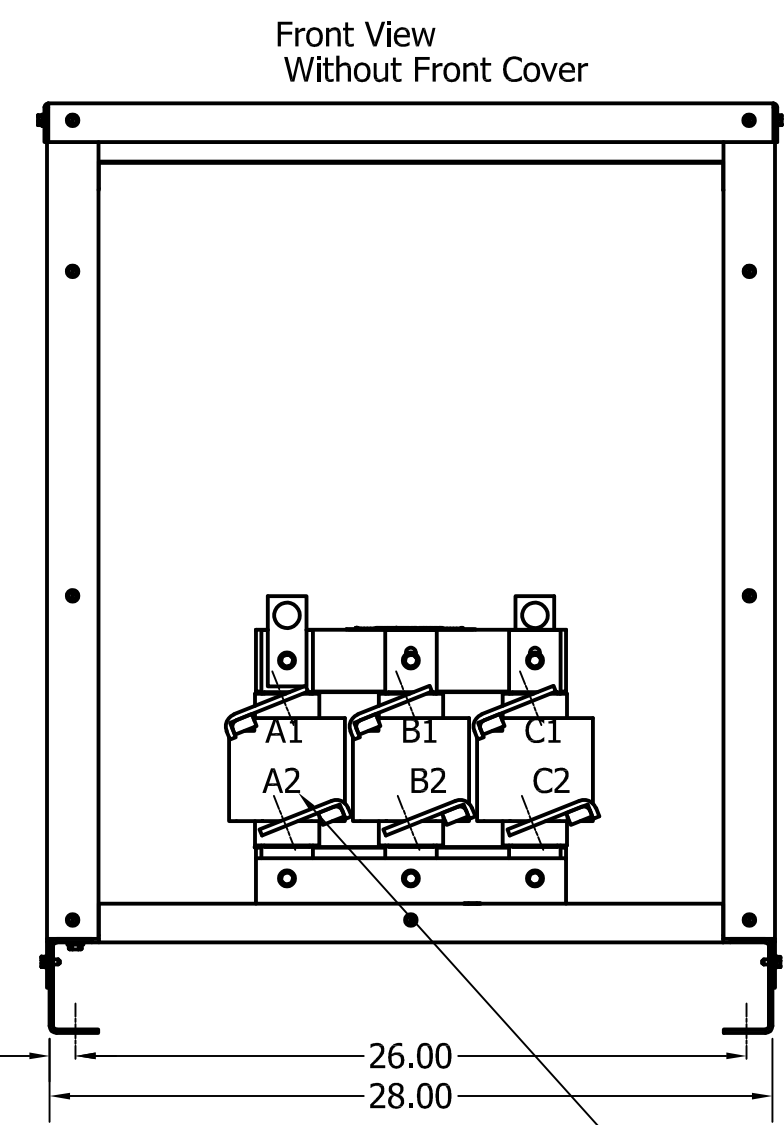
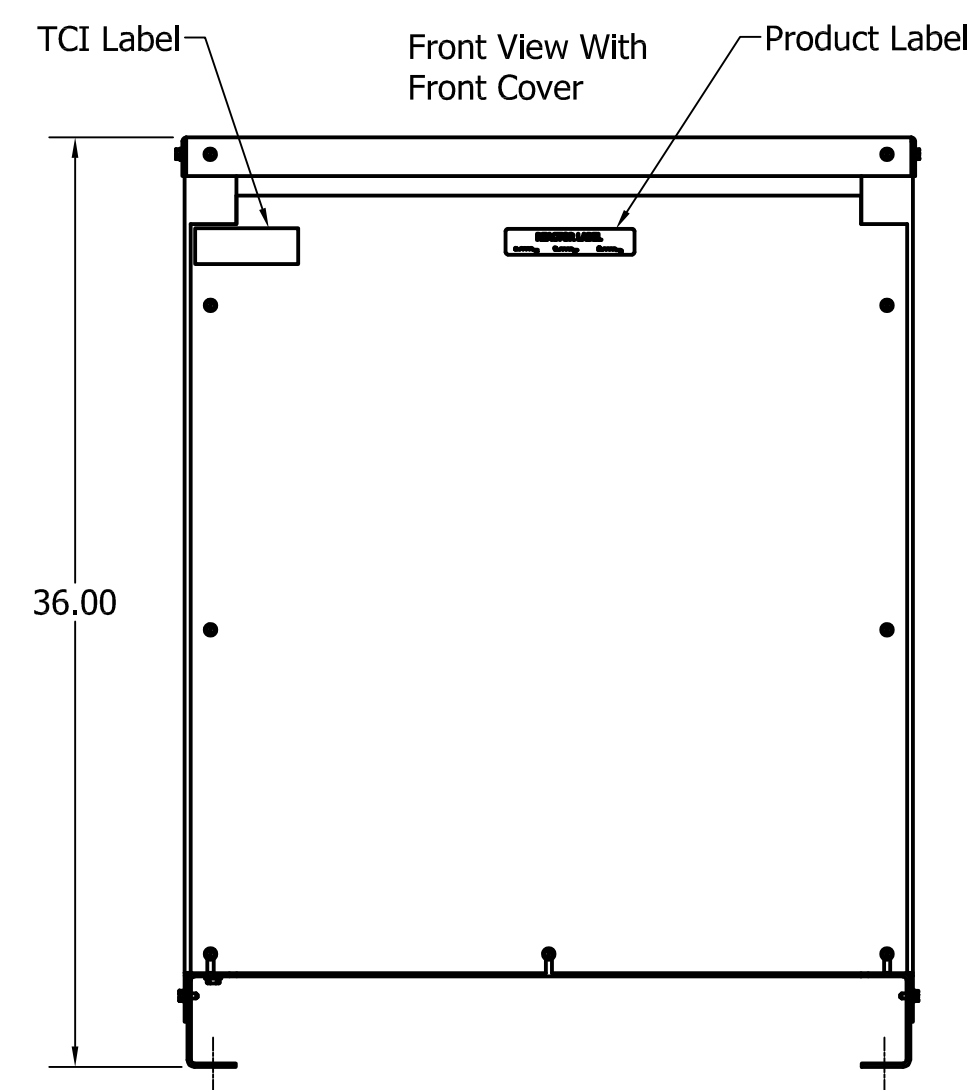


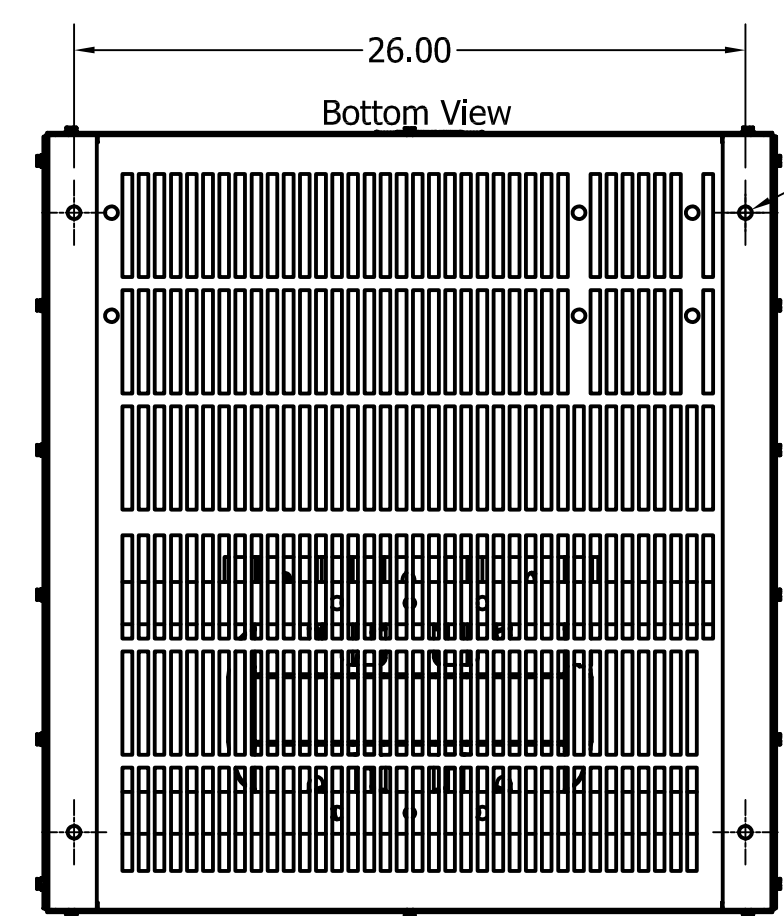
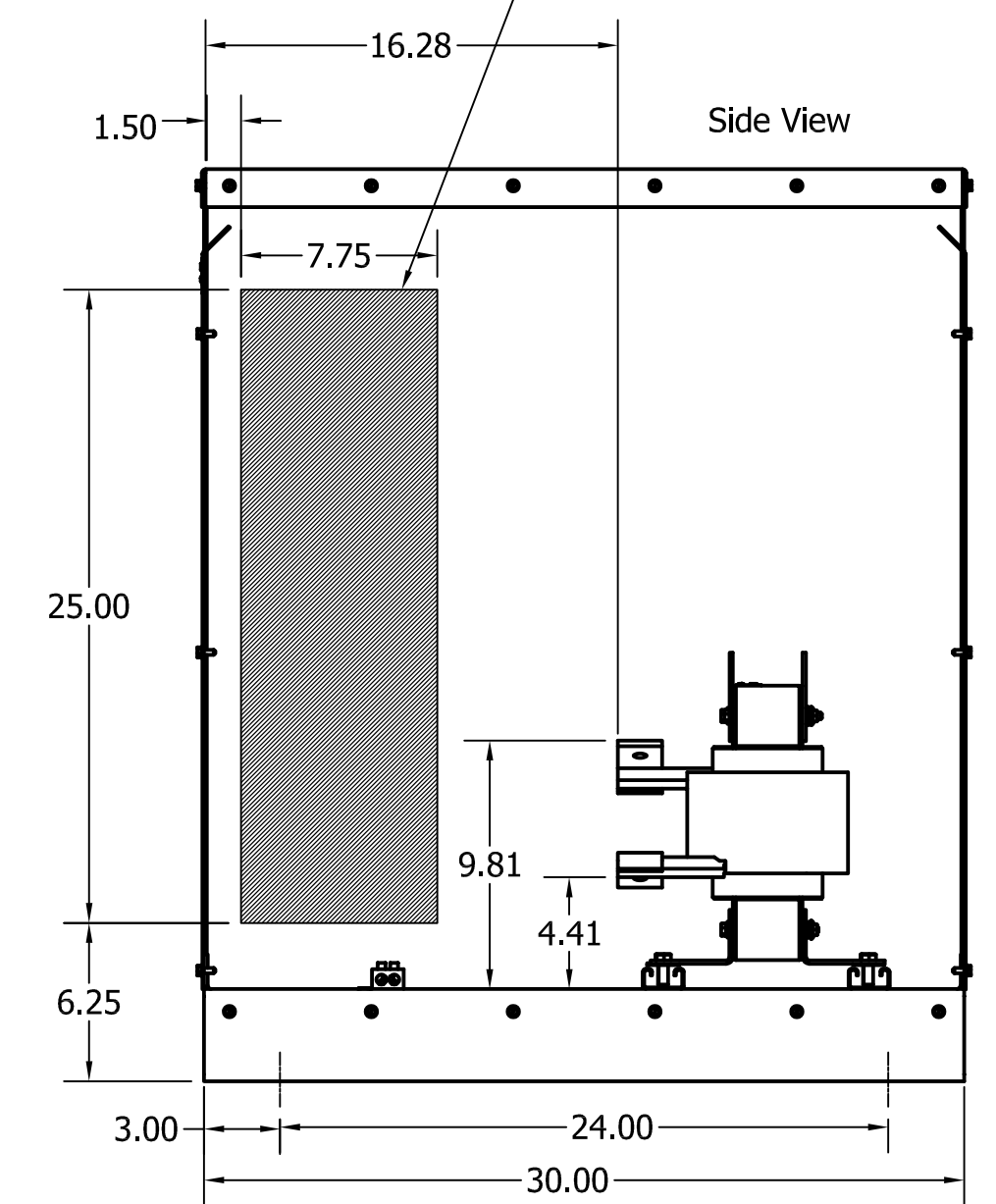
Suggested Customer Wire Entrance Bottom Of Enclosure. See Note: 8 (Non Removeable Panel)



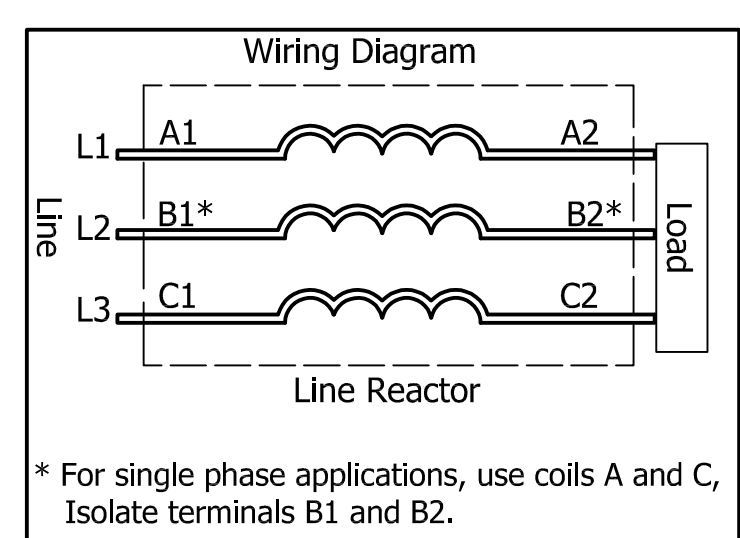
480 Rated Voltage, 600 Max Voltage, High Z, Impedance.

Part Number	Horsepower (HP)	Motor Amps (A)	Maximum Amps (A)	Inductance (uH)	Weight (LBS)	Losses (W)	Available Lug Kit	Terminal Hole Size (Inches)
KDRL5HE01	450	515	540	59.7	295	774	SLK14	0.53
KDRL6HE01	500	590	590	52.5	295	697	SLK14	.053

Suggested Customer Entrance Either Side Of Enclosure. See Note: 8 (Non Removeable Panel)



(Customer Connections) Markings On Coils For Reference Only.



TCI (800) 824-8282 transcoil.com

TCI, LLC
Germantown, WI, USA
transcoil.com
800-824-8282

KDRUL Drive Reactor
KDR - Motor Amps -
3PH, 50/60Hz, -V Rated, 600V Max, -A Max
40C Amp Max, 155C Rise, RoHS
Manual #30895 LUG KIT #SLK-

UL LISTED
E116124
250 CMT, 10, 1000

DATE CODE A1 A2 B1 B2 C1 C2

- Notes:
1. KDR Lug Kits sold separately. Contact TCI.
 2. For KDRUL Version With Terminal Lugs Attached, See Sheet 12
 3. UL file number: cULus Listed File E116124.
 4. KDR Drive Reactors Comply With The Thermal and Altitude Standards Set Forth by NEMA ST20-1992.
 5. KDR IOM Manual Part Number 30895
 6. NEC Current For 208/240 Volts, Horsepower Based On 208 Volts.
 7. Material(s) Shall be RoHS Compliant
 8. Customer Is Responsible For Installation To Meet All National And Local Electrical Codes.

TCI, LLC CLAIMS PROPRIETARY RIGHTS IN THE MATERIAL HEREIN DISCLOSED. IT IS SUPPLIED WITHOUT PREDJUDICE TO ANY PATENT RIGHTS OF TCI AND MAY NOT BE REPRODUCED OR USED TO MANUFACTURE ANYTHING SHOWN THEREIN WITHOUT WRITTEN PERMISSION FROM TCI.

NO	REVISION	DATE	BY	TOLERANCES (EXCEPT AS NOTED)
A	As Designed	3/22/18	DSW	DECIMAL .XX ± .25 .XXX ± .10
				FRACTIONAL ± 1/16
				ANGULAR ± 1°

W132 N10611 Grant Drive
Germantown, WI 53022

KDR L Frame, Copper Bus, Enclosed
Type 1, Reactor Drawing

DRN BY: DSW DATE: 3/22/18
SCALE: 1/5 SIZE: C

107614DG

SHT.11 OF 12