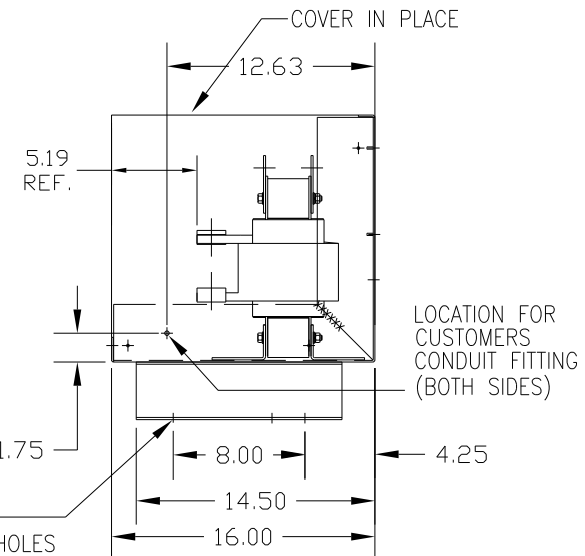
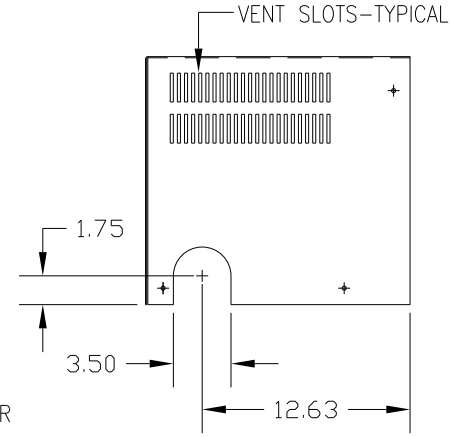
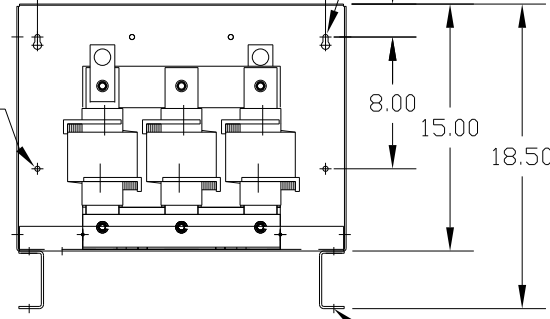
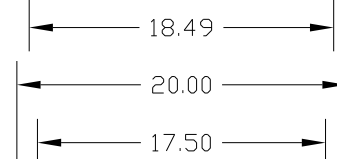
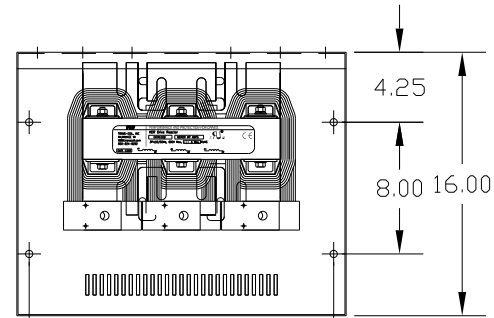
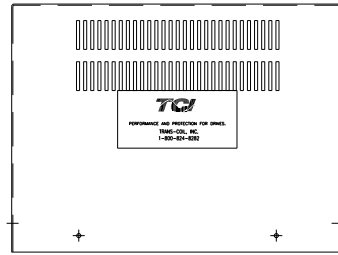
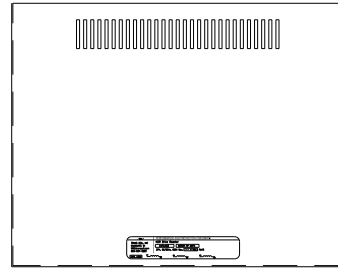


CATALOG NO	VOLTAGE	NEC MOTOR HP	NEC MOTOR CURRENT	WATTS LOSS	TERMINAL HOLE SIZE	APPROX WT-LBS
KDRL49HC5V	690	400	382	603	.53	160



.328 DIA.
2 HOLES

KEYSLOTS FOR
1/4 SCREWS
2 PLACES

COVER IN PLACE

LOCATION FOR
CUSTOMERS
CONDUIT FITTING
(BOTH SIDES)

.44 DIA.
4 MTG. HOLES

CUSTOMER IS RESPONSIBLE FOR INSTALLATION
TO MEET ALL NATIONAL AND LOCAL ELECTRICAL CODES.

NO	REVISION	DATE	BY	TOLERANCES (EXCEPT AS NOTED)	SCALE	APPRV	DATE	DWG. NO.	SHT. 1 OF 1
				DECIMAL .XX ± .03 .XXX ± .01			2/17/12	B	
				FRACTIONAL ± 1/32					
				ANGULAR ± 1/2°					

TCI 7878 N. 86th STREET
MILWAUKEE, WI 53224

KDR DRIVE REACTOR, ENCLOSED
690V HIGH Z, FRAME L

DRN. BY DSW DATE 2/17/12 DWG. NO. KDRL49HC5VDG
SCALE APPRV B