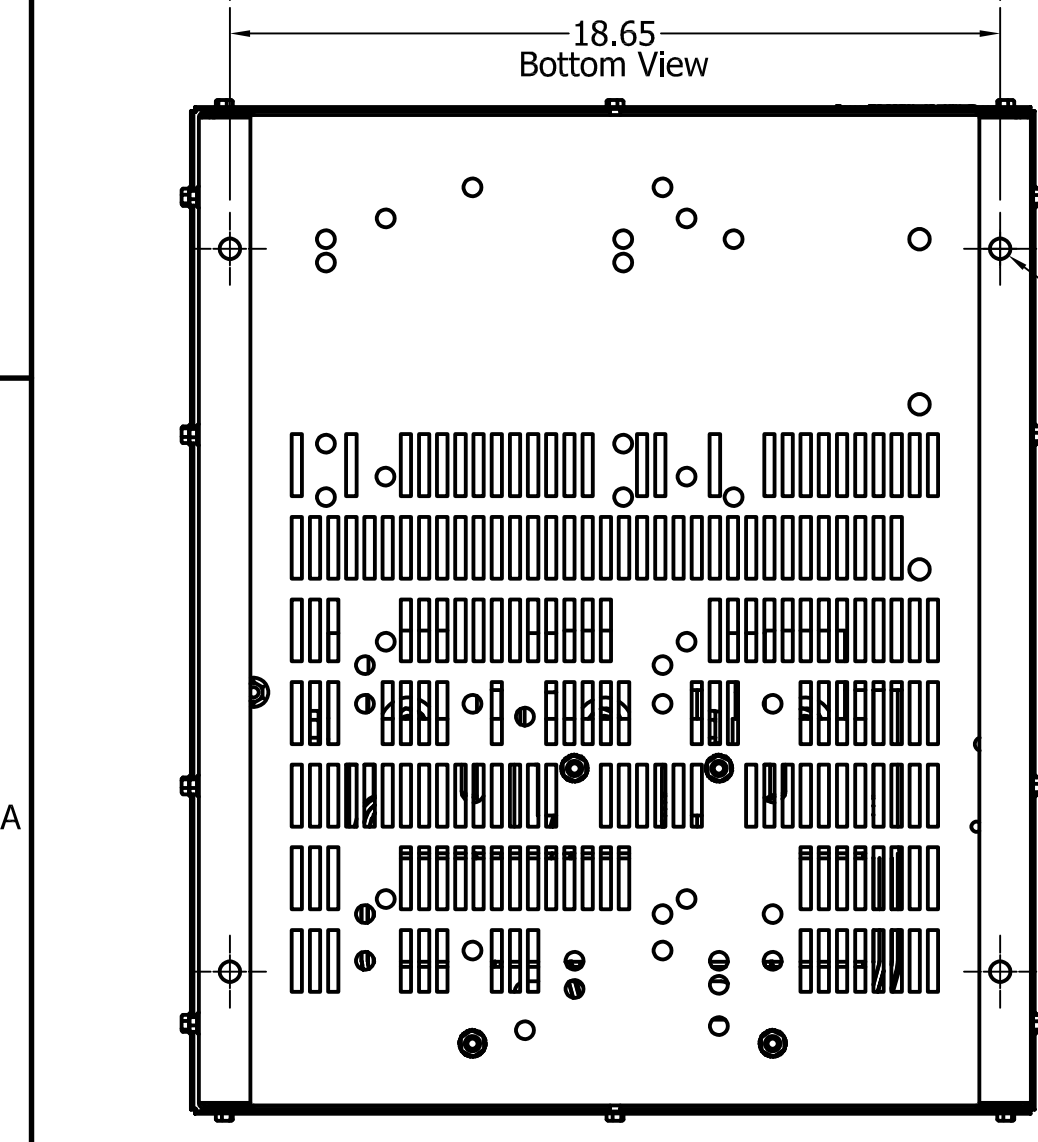
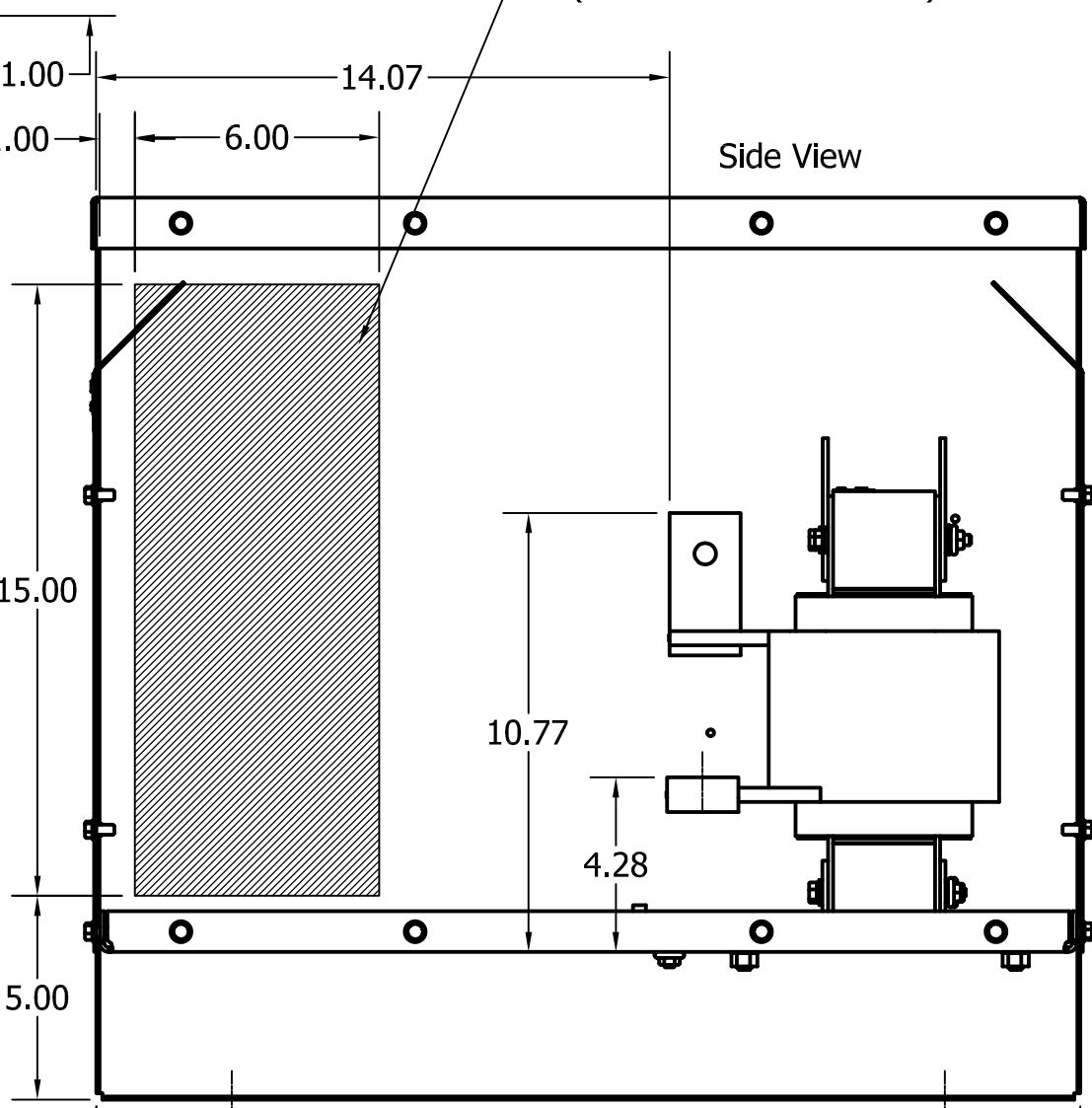
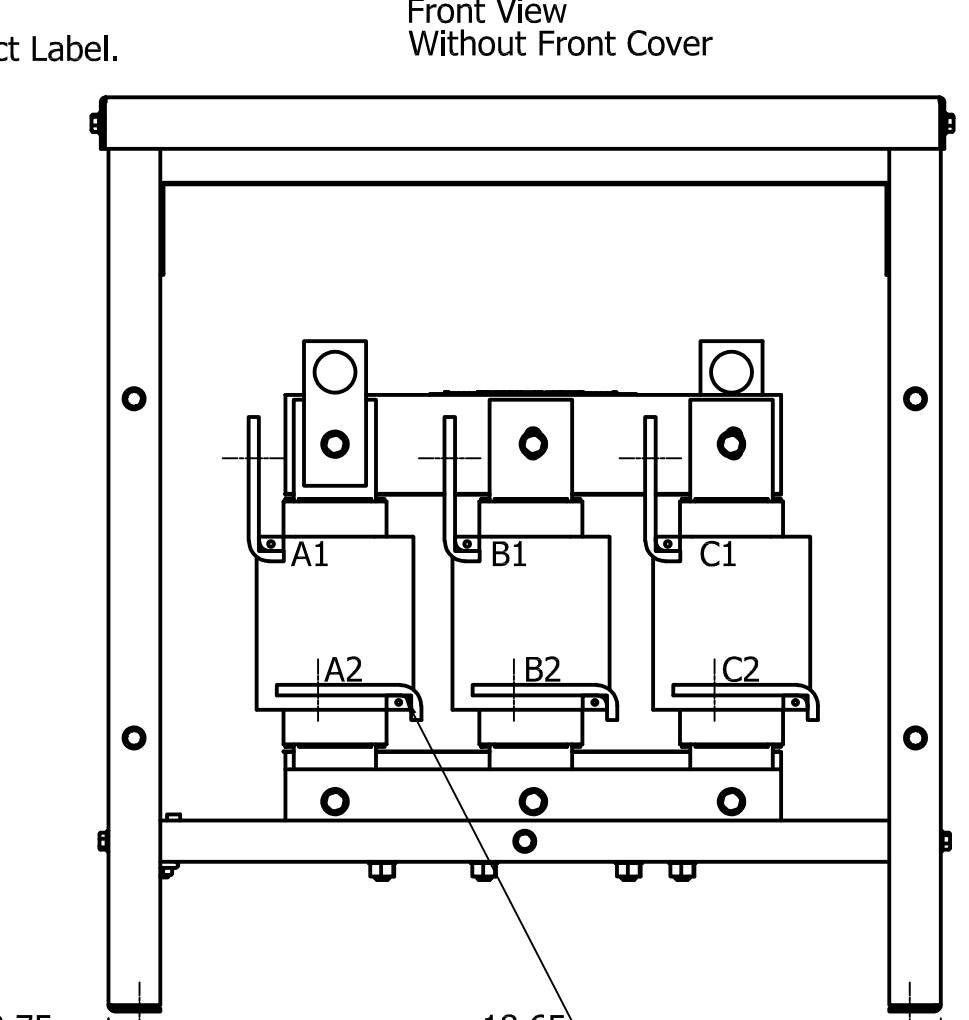
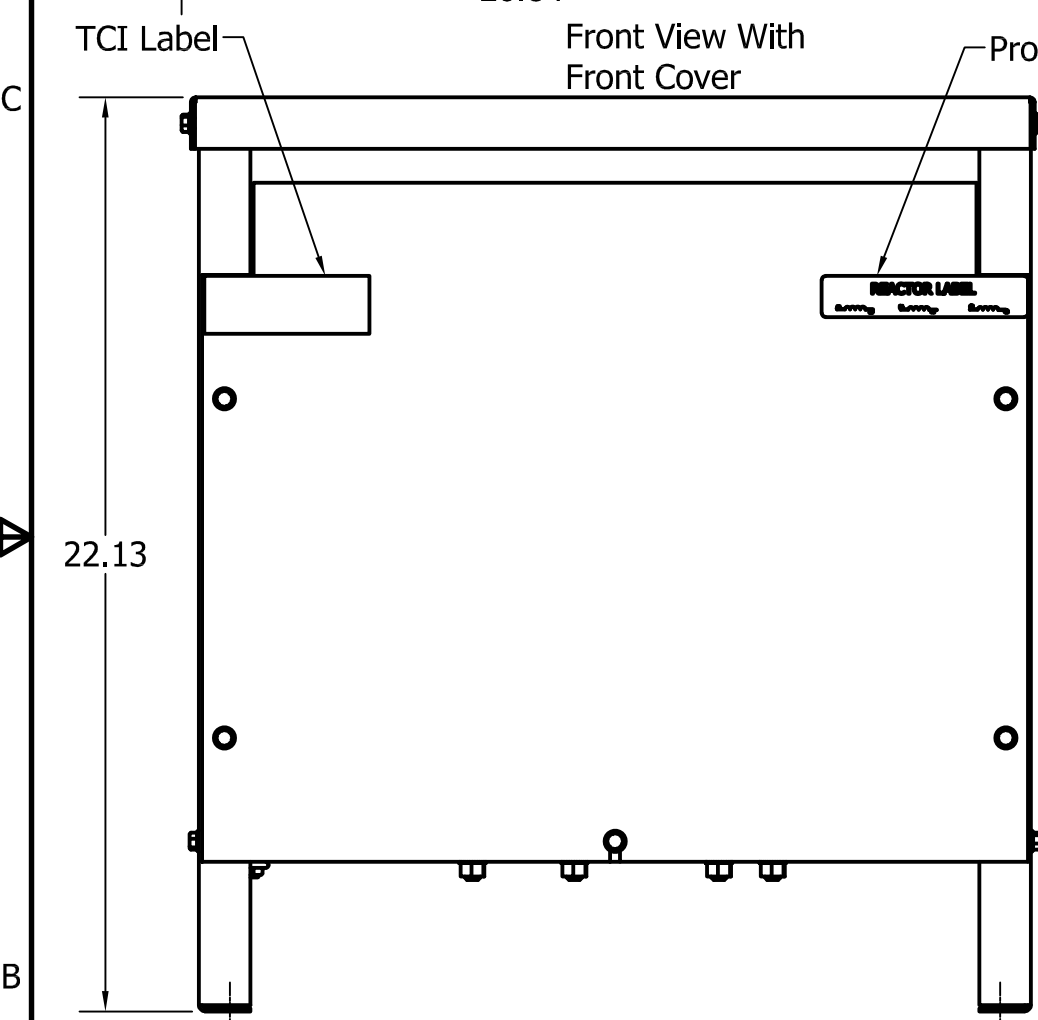


575 Rated Voltage, 600 Max Voltage, High Z, Impedance.								
Part Number	Horsepower (HP)	Motor Amps (A)	Maximum Amps (A)	Inductance (uH)	Weight (LBS)	Losses (W)	Available Lug Kit	Terminal Hole Size (Inches)
KDRL48HE01	350	336	344	138	176	539	SLK13	0.53
KDRL49HE01	400	382	382	120	176	603	SLK13	0.53

Ground Lug.
See IOM Manual, Part# 30895
Table S2/0, Wire Size And Torque.

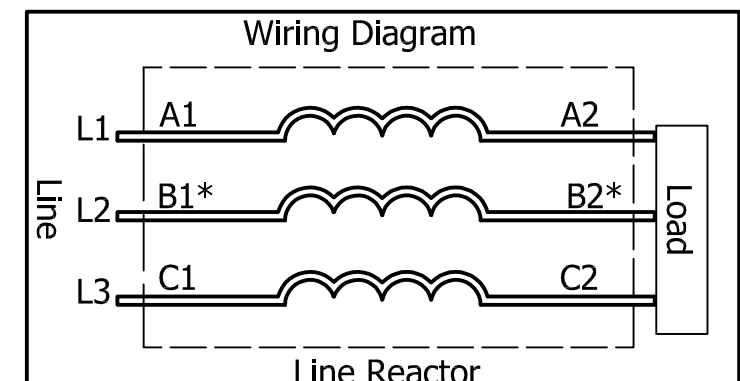
Suggested Customer Wire Entrance
Bottom Of Enclosure.
See Note: 8
(Non Removeable Panel)

Suggested Customer Entrance
Either Side Of Enclosure.
See Note: 8
(Non Removeable Panel)



0.50 Dia Mounting Holes
4 Places, (Bottom of Enclosure)

(Customer Connections)
Markings On Coils
For Reference Only.



* For single phase applications, use coils A and C,
Isolate terminals B1 and B2.

TCI
TCI, LLC
Germantown, WI, USA.
transcoll.com
800-824-8282

(800) 824-8282 transcoll.com

KDRUL Drive Reactor
KDR- Motor Amps —
3PH, 50/60Hz, —V Rated, 600V Max, —A Max
40C Amb Max, 155C Rise, RoHS
Manual #30895 LUG KIT #SLK—

- Notes:
1. KDR Lug Kits sold separately. Contact TCI.
 2. For KDRUL Version With Terminal Lugs Attached, See Sheet 4
 3. UL file number: cULus Listed File E116124.
 4. KDR Drive Reactors Comply With The Thermal and Altitude Standards Set Forth by NEMA ST20-1992.
 5. KDR IOM Manual Part Number 30895
 6. NEC Current For 208/240 Volts, Horsepower Based On 208 Volts.
 7. Material(s) Shall be RoHS Compliant
 8. Customer Is Responsible For Installation To Meet All National And Local Electrical Codes.

TCI, LLC CLAIMS PROPRIETARY RIGHTS IN THE MATERIAL HEREIN DISCLOSED. IT IS SUPPLIED WITHOUT PREDJUDICE TO ANY PATENT RIGHTS OF TCI AND MAY NOT BE REPRODUCED OR USED TO MANUFACTURE ANYTHING SHOWN THEREIN WITHOUT WRITTEN PERMISSION FROM TCI.

NO.	REVISION	DATE	BY

TOLERANCES (EXCEPT AS NOTED)
DECIMAL
.XX ± .25
.XXX ± .10
FRACTIONAL
± 1/16
ANGULAR
± 1°

TCI W132 N10611 Grant Drive
Germantown, WI 53022

KDR L Frame, Copper Bus, Enclosed
Type 1, Reactor Drawing

DRN BY: DSW	DATE: 3/22/18	SIZE: C
SCALE: 1/5	APRVD: 107614DG	SHT 3 OF 12