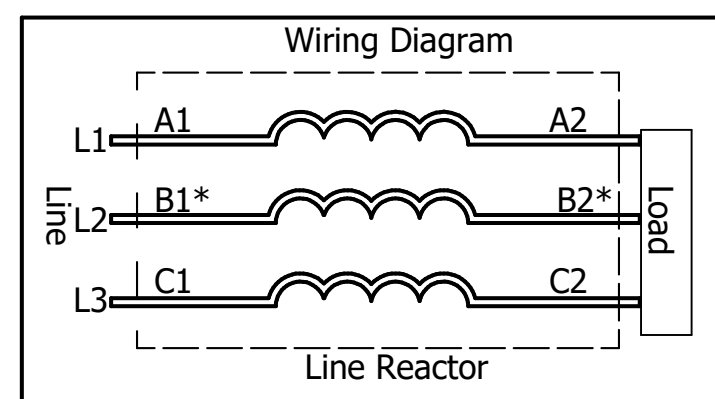
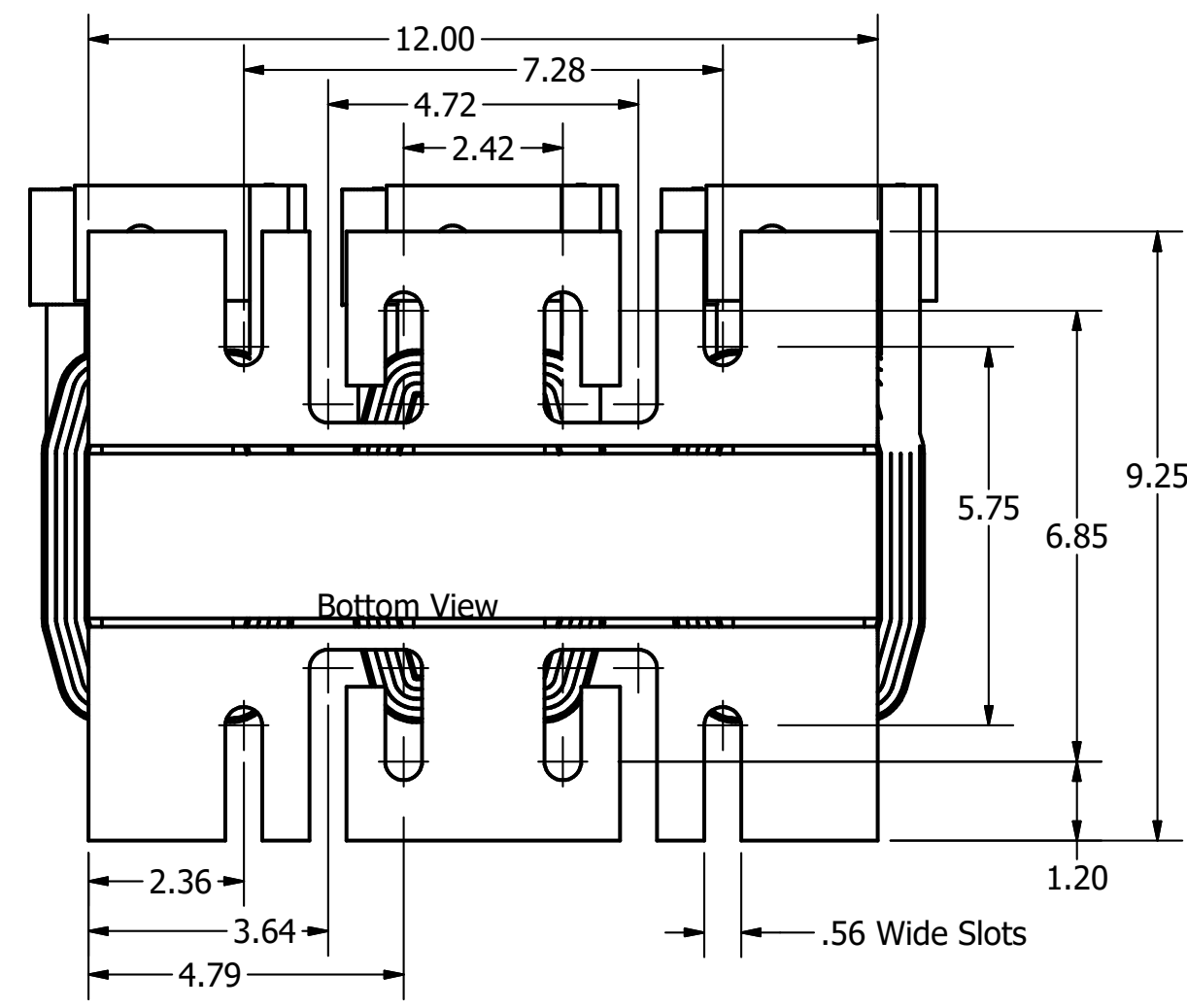
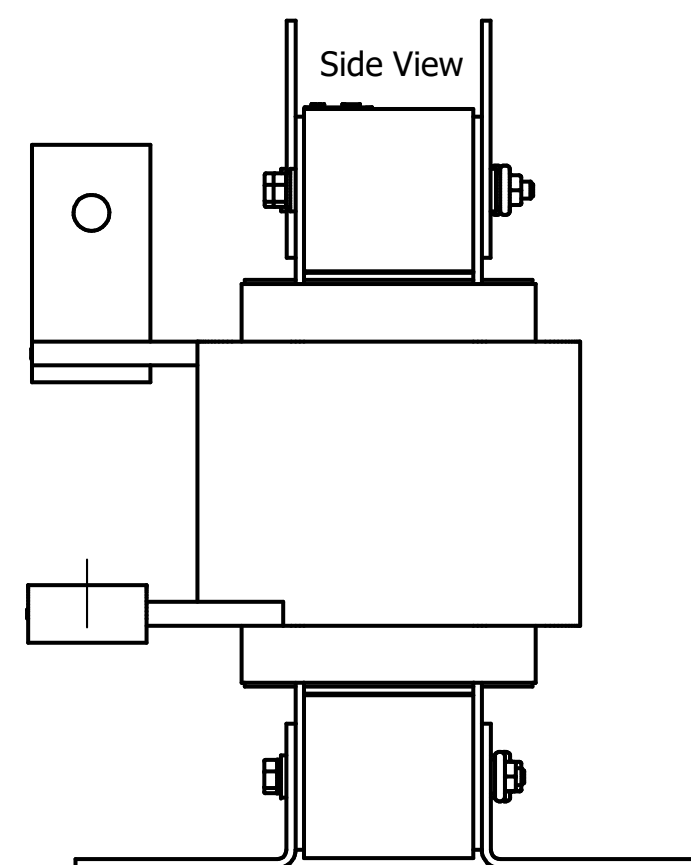
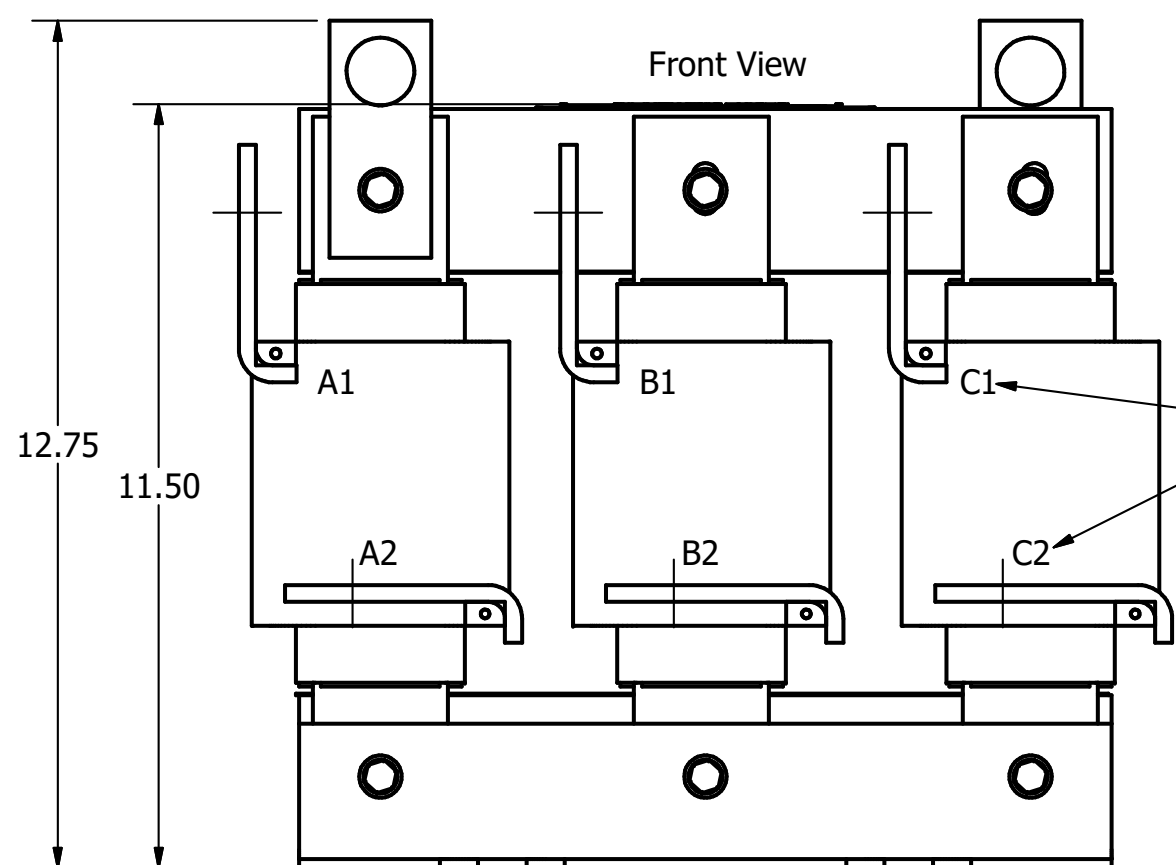


575 Rated Voltage, 600 Max Voltage, High Z, Impedance.

Part Number	Horsepower (HP)	Motor Amps (A)	Maximum Amps (A)	Inductance (uH)	Weight (LBS)	Losses (W)	Available Lug Kit	Terminal Hole Size (Inches)
KDRL48H	350	336	344	138	110	539	SLK13	0.53
KDRL49H	400	382	382	120	110	603	SLK13	0.53

575 Rated Voltage, 600 Max Voltage, Low Z, Impedance.

Part Number	Horsepower (HP)	Motor Amps (A)	Maximum Amps (A)	Inductance (uH)	Weight (LBS)	Losses (W)	Available Lug Kit	Terminal Hole Size (Inches)
KDRL45L	500	472	480	62.5	110	587	SLK13	0.53
KDRL42L	600	576	610	39.8	150	716	SLK14	0.53



\* For single phase applications, use coils A and C, Isolate terminals B1 and B2.

**TCI** (800) 824-8282 [transcoil.com](http://transcoil.com)

TCI, LLC  
 Germantown, WI, USA.  
[transcoil.com](http://transcoil.com)  
 800-824-8282

KDRUL Drive Reactor  
 KDR- Motor Amps -  
 3PH, 50/60Hz, -V Rated, 600V Max, -A Max  
 40C Amb Max, 155C Rise, RoHS  
 Manual #30895 LUG KIT #SLK-

UL LISTED  
 2ND CTRY. REG. MARK

DATE CODE A1 A2 B1 B2

- Notes:
1. KDR Lug Kits sold separately. Contact TCI.
  2. For KDRUL Version With Terminal Lugs Attached, See Sheet 4
  3. UL file number: cULus Listed File E116124.
  4. KDR Drive Reactors Comply With The Thermal and Altitude Standards Set Forth by NEMA ST20-1992.
  5. KDR IOM Manual Part Number 30895
  6. NEC Current For 208/240 Volts, Horsepower Based On 208 Volts.
  7. Material(s) Shall be RoHS Compliant
  8. Customer Is Responsible For Installation To Meet All National And Local Electrical Codes.

TCI, LLC CLAIMS PROPRIETARY RIGHTS IN THE MATERIAL HEREIN DISCLOSED. IT IS SUPPLIED WITHOUT PREJUDICE TO ANY PATENT RIGHTS OF TCI AND MAY NOT BE REPRODUCED OR USED TO MANUFACTURE ANYTHING SHOWN THEREIN WITHOUT WRITTEN PERMISSION FROM TCI.

TOLERANCES (EXCEPT AS NOTED)  
 DECIMAL  
 XX ± .25  
 .XXX ± .10  
 FRACTIONAL  
 ± 1/16  
 ANGULAR  
 ± 1°

**TCI** W132 N10611 Grant Drive  
 Germantown, WI 53022

KDR L Frame, Copper Bus  
 Reactor Drawing

DRN BY: DSW DATE: 3/23/18 107537DG  
 SCALE: 1/3.2 APRVD: SIZE: C SHT.3 OF 10

NO	REVISION	DATE	BY
A	Combine Drawings	3/23/18	DSW