

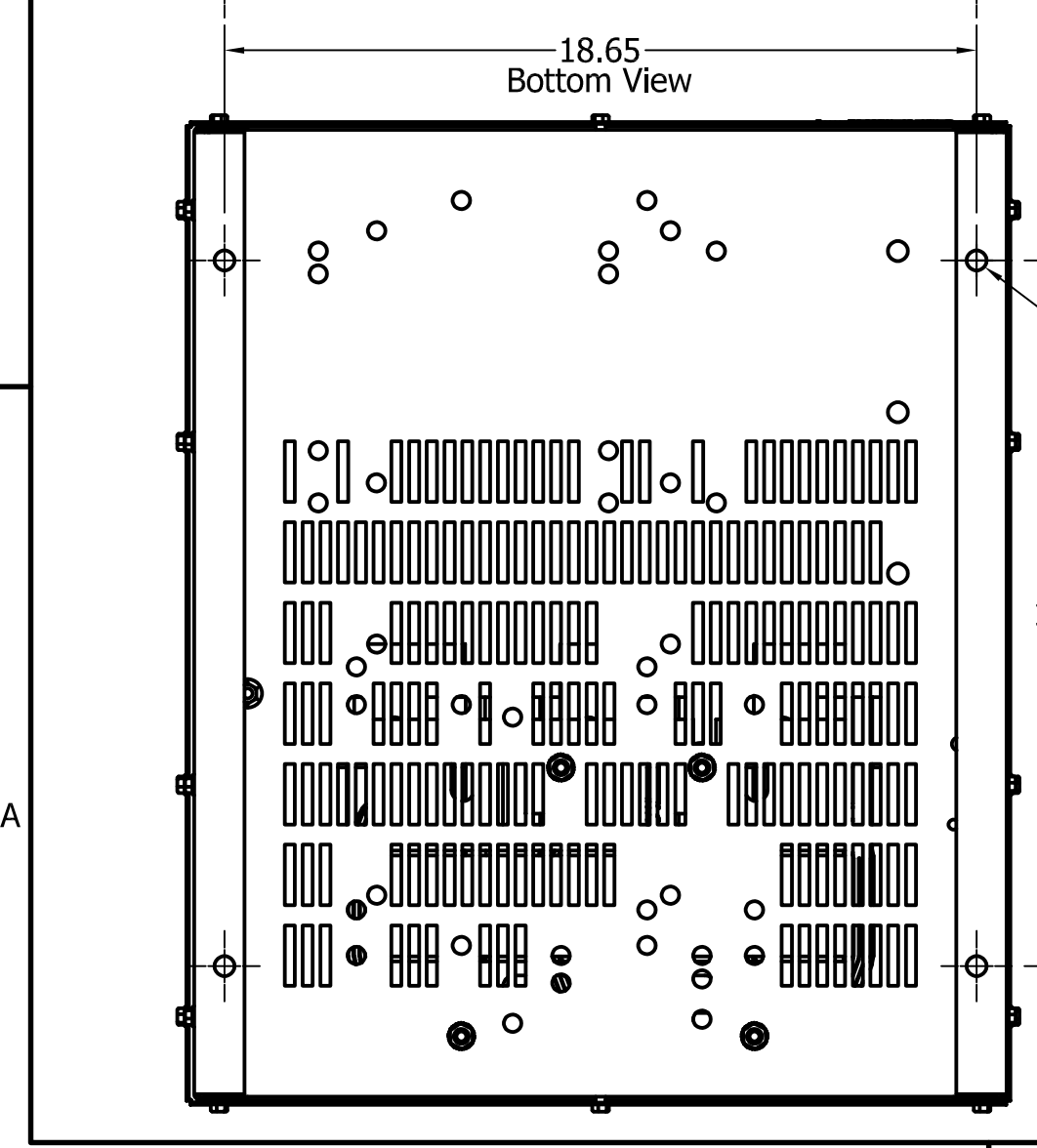
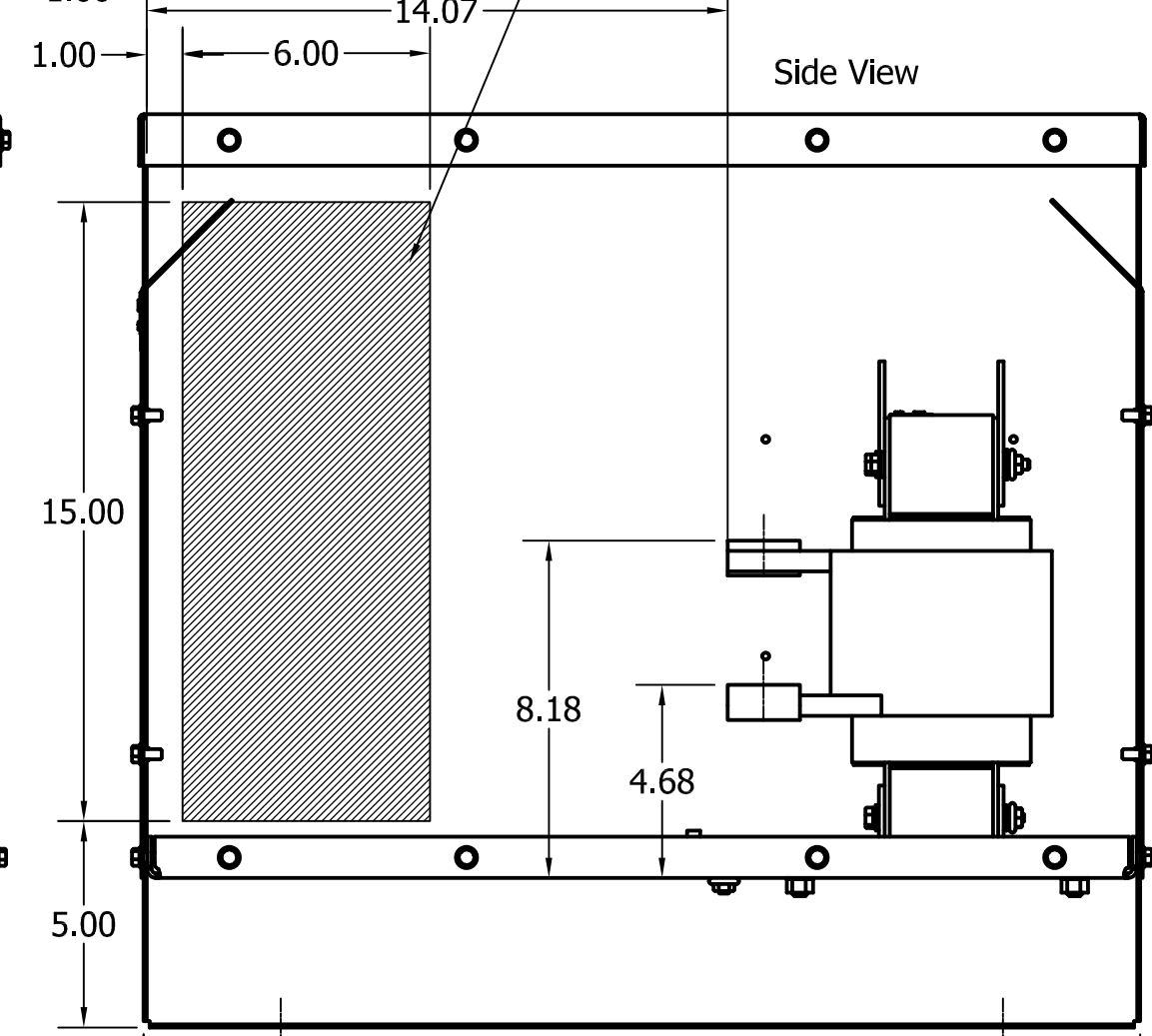
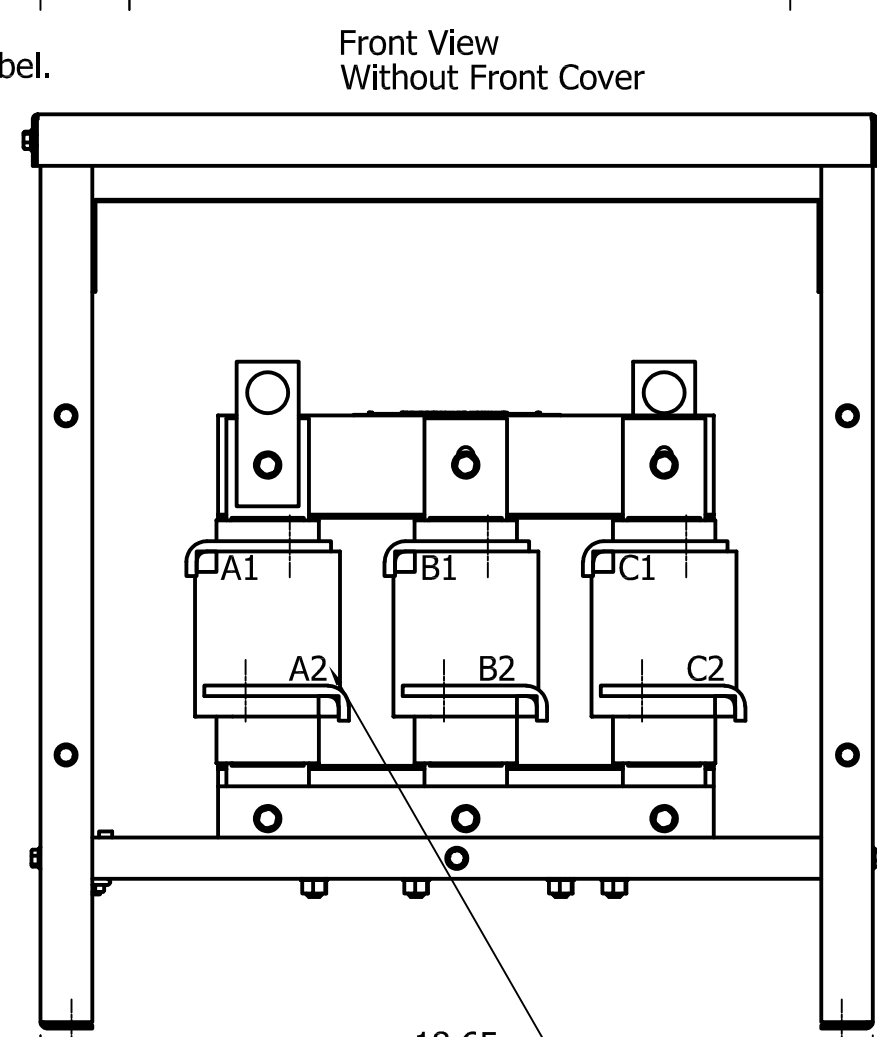
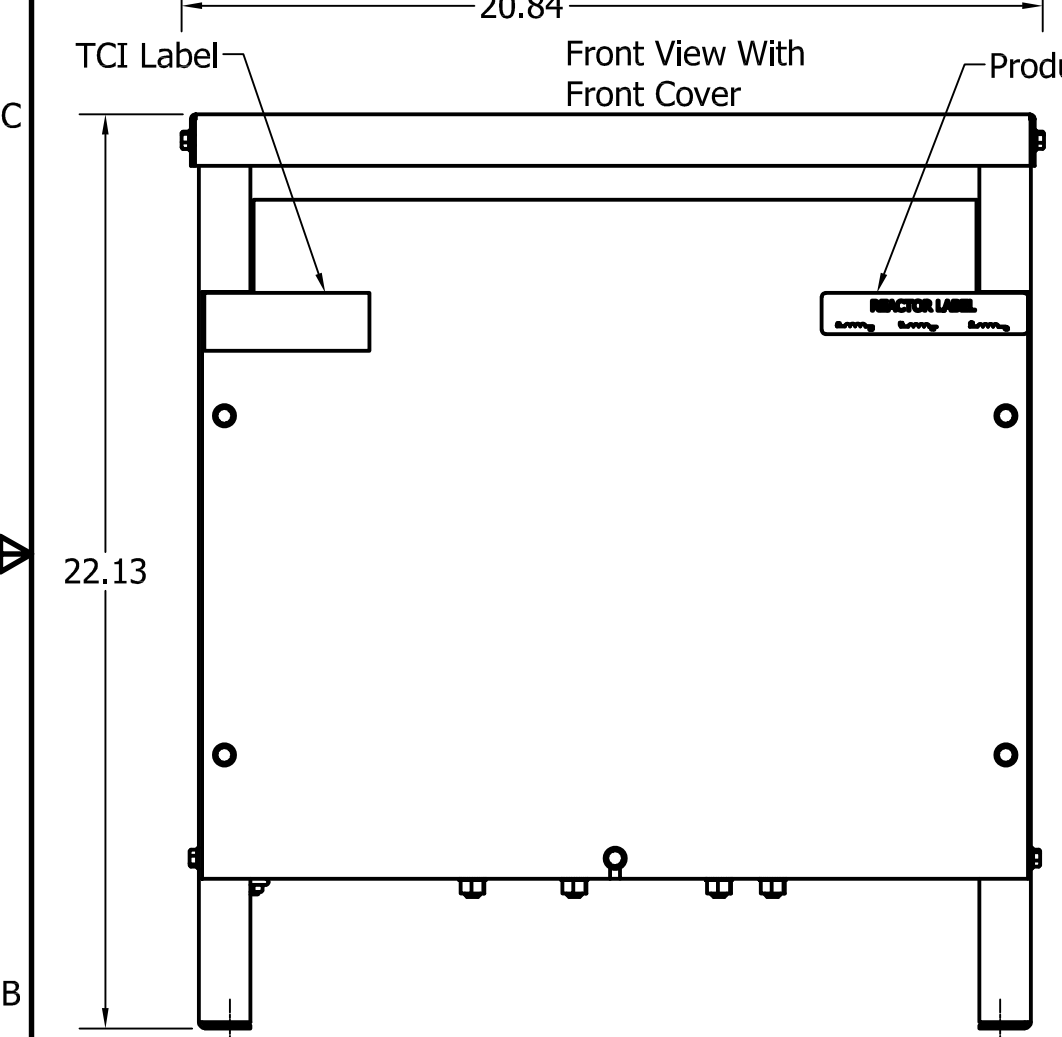
575 Rated Voltage, 600 Max Voltage, High Z, Impedance.

Part Number	Horsepower (HP)	Motor Amps (A)	Maximum Amps (A)	Inductance (uH)	Weight (LBS)	Losses (W)	Available Lug Kit	Terminal Hole Size (Inches)
KDRL46HE01	250	242	260	188	176	472	SLK12	0.53
KDRL47HE01	300	289	310	157	176	490	SLK12	0.53

Ground Lug.  
See IOM Manual, Part# 30895  
Table S2/0, Wire Size And Torque.

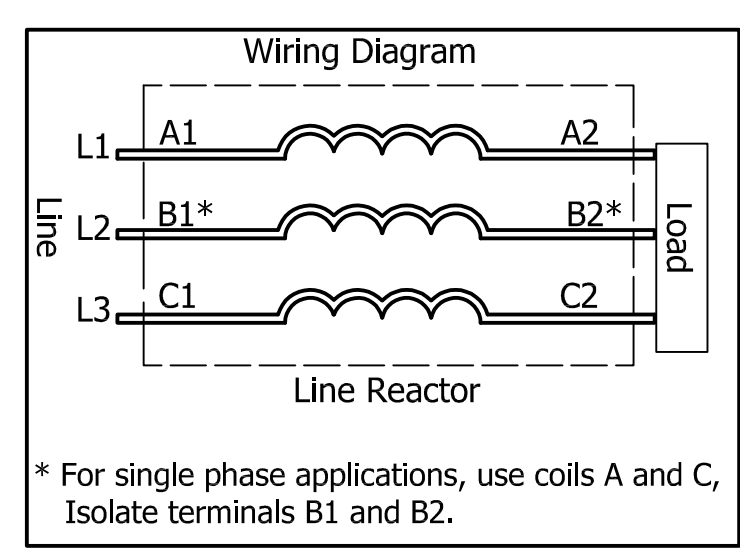
Suggested Customer Wire Entrance  
Bottom Of Enclosure.  
See Note: 8  
(Non Removeable Panel)

Suggested Customer Entrance  
Either Side Of Enclosure.  
See Note: 8  
(Non Removeable Panel)



0.50 Dia Mounting Holes  
4 Places, (Bottom of Enclosure)

(Customer Connections)  
Markings On Coils  
For Reference Only.



**TCI** (800) 824-8282 transcoll.com

TCI, LLC  
Germantown, WI, USA  
transcoll.com  
800-824-8282

KDRUL Drive Reactor  
KDR- Motor Amps —  
3PH, 50/60Hz, —V Rated, 600V Max, —A Max  
40C Amb Max, 155C Rise, RoHS  
Manual #30895 LUG KIT #SLK—

UL LISTED CE

DATE CODE A1 A2 B1 B2 C1 C2

- Notes:
1. KDR Lug Kits sold separately. Contact TCI.
  2. For KDRUL Version With Terminal Lugs Attached, See Sheet 2
  3. UL file number: cULus Listed File E116124.
  4. KDR Drive Reactors Comply With The Thermal and Altitude Standards Set Forth by NEMA ST20-1992.
  5. KDR IOM Manual Part Number 30895
  6. NEC Current For 208/240 Volts, Horsepower Based On 208 Volts.
  7. Material(s) Shall be RoHS Compliant
  8. Customer Is Responsible For Installation To Meet All National And Local Electrical Codes.

TCI, LLC CLAIMS PROPRIETARY RIGHTS IN THE MATERIAL HEREIN DISCLOSED. IT IS SUPPLIED WITHOUT PREDJUDICE TO ANY PATENT RIGHTS OF TCI AND MAY NOT BE REPRODUCED OR USED TO MANUFACTURE ANYTHING SHOWN THEREIN WITHOUT WRITTEN PERMISSION FROM TCI.

TOLERANCES (EXCEPT AS NOTED)  
DECIMAL  
.XX ± .25  
.XXX ± .10  
FRACTIONAL  
± 1/16  
ANGULAR  
± 1°

W132 N10611 Grant Drive  
Germantown, WI 53022

KDR L Frame, Copper Bus, Enclosed  
Type 1, Reactor Drawing

DRN BY DSW DATE: 3/22/18 107614DG  
SCALE: 1/5 APRVD: SIZE C  
NO REVISION DATE BY

SHT.1 OF 12