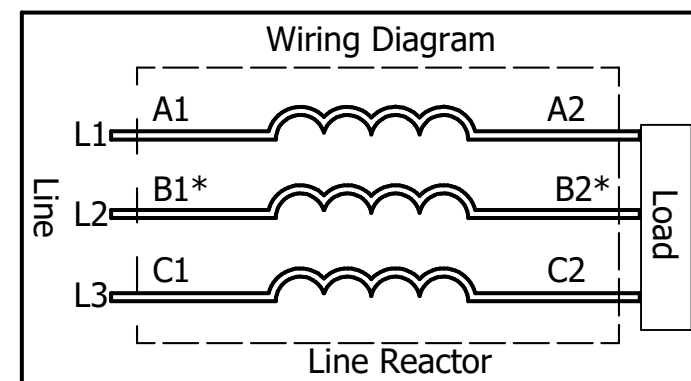
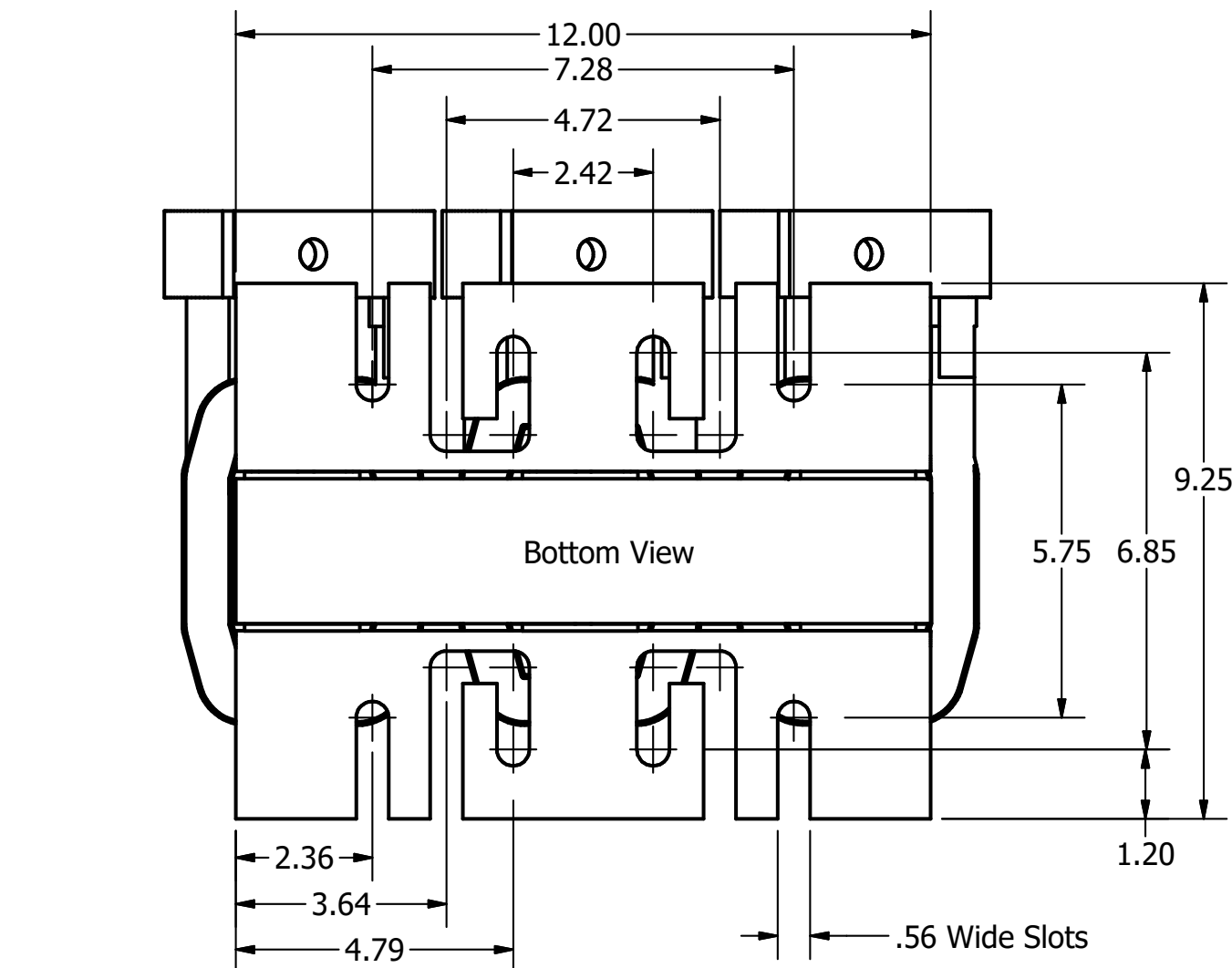
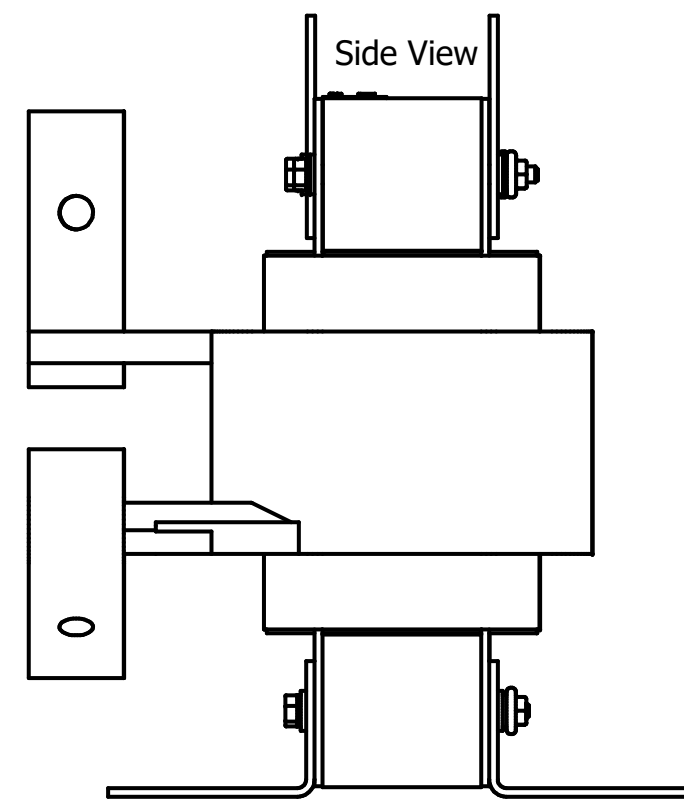
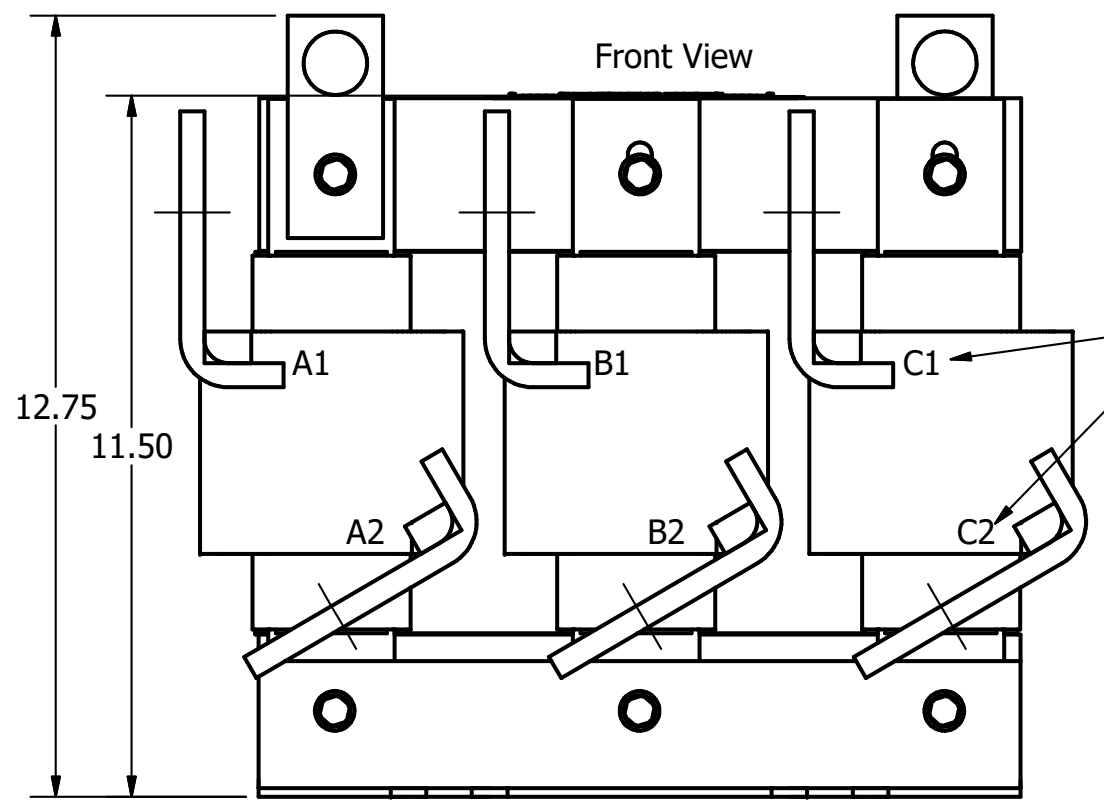


480 Rated Voltage, 600 Max Voltage, Low Z, Impedance.								
Part Number	Horsepower (HP)	Motor Amps (A)	Maximum Amps (A)	Inductance (uH)	Weight (LBS)	Losses (W)	Available Lug Kit	Terminal Hole Size (Inches)
KDRL3L	600	720	750	26	155	748	SLK15	0.53

575 Rated Voltage, 600 Max Voltage, Low Z, Impedance.								
Part Number	Horsepower (HP)	Motor Amps (A)	Maximum Amps (A)	Inductance (uH)	Weight (LBS)	Losses (W)	Available Lug Kit	Terminal Hole Size (Inches)
KDRL43L	700	672	675	34.1	160	836	SLK15	0.53



TCI (800) 824-8282 transcoll.com

TCI, LLC
Germanstown, WI, USA.
transcoll.com
800-824-8282

KDRUL Drive Reactor
KDR - Motor Amps -
3PH, 50/60Hz, -V Rated, 600V Max, -A Max
40C Amb Max, 155C Rise, RoHS
Manual #30895 LUG KIT #SLK-

UL LISTED
2ND CONT. EQ. MARK

DATE CODE **A1** **A2** **B1** **B2** **C1** **C2**

Notes:

1. KDR Lug Kits sold separately. Contact TCI.
2. For KDRUL Version With Terminal Lugs Attached, See Sheet 8
3. UL file number: cULus Listed File E116124.
4. KDR Drive Reactors Comply With The Thermal and Altitude Standards Set Forth by NEMA ST20-1992.
5. KDR IOM Manual Part Number 30895
6. NEC Current For 208/240 Volts, Horsepower Based On 208 Volts.
7. Material(s) Shall be RoHS Compliant
8. Customer Is Responsible For Installation To Meet All National And Local Electrical Codes.

TCI, LLC CLAIMS PROPRIETARY RIGHTS IN THE MATERIAL HEREIN DISCLOSED. IT IS SUPPLIED WITHOUT PREJUDICE TO ANY PATENT RIGHTS OF TCI AND MAY NOT BE REPRODUCED OR USED TO MANUFACTURE ANYTHING SHOWN THEREIN WITHOUT WRITTEN PERMISSION FROM TCI.

TOLERANCES (EXCEPT AS NOTED)				TCI W132 N10611 Grant Drive Germanstown, WI 53022	
DECIMAL				KDR L Frame, Copper Bus Reactor Drawing	
XX ± .25				DRN BY DSW DATE: 3/23/18 107537DG	
.XXX ± .10				SCALE: 1/3.2 APRVD: SIZE C SHT. 7 OF 10	
FRACTIONAL ± 1/16					
ANGULAR ± 1°					
A	Combine Drawings	3/23/18	DSW		
NO	REVISION	DATE	BY		