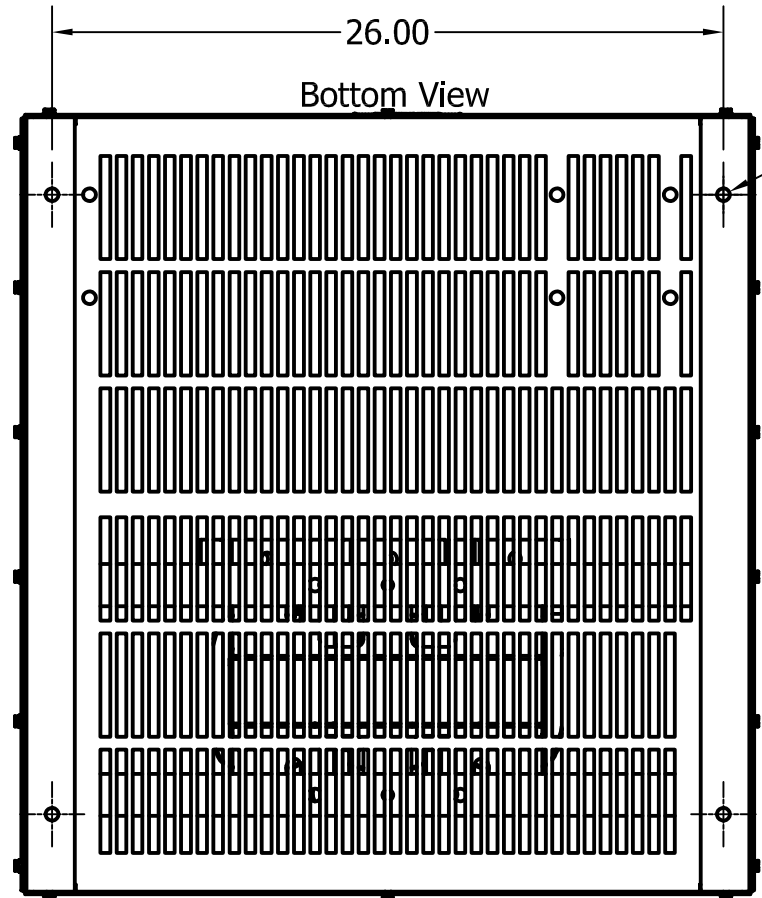
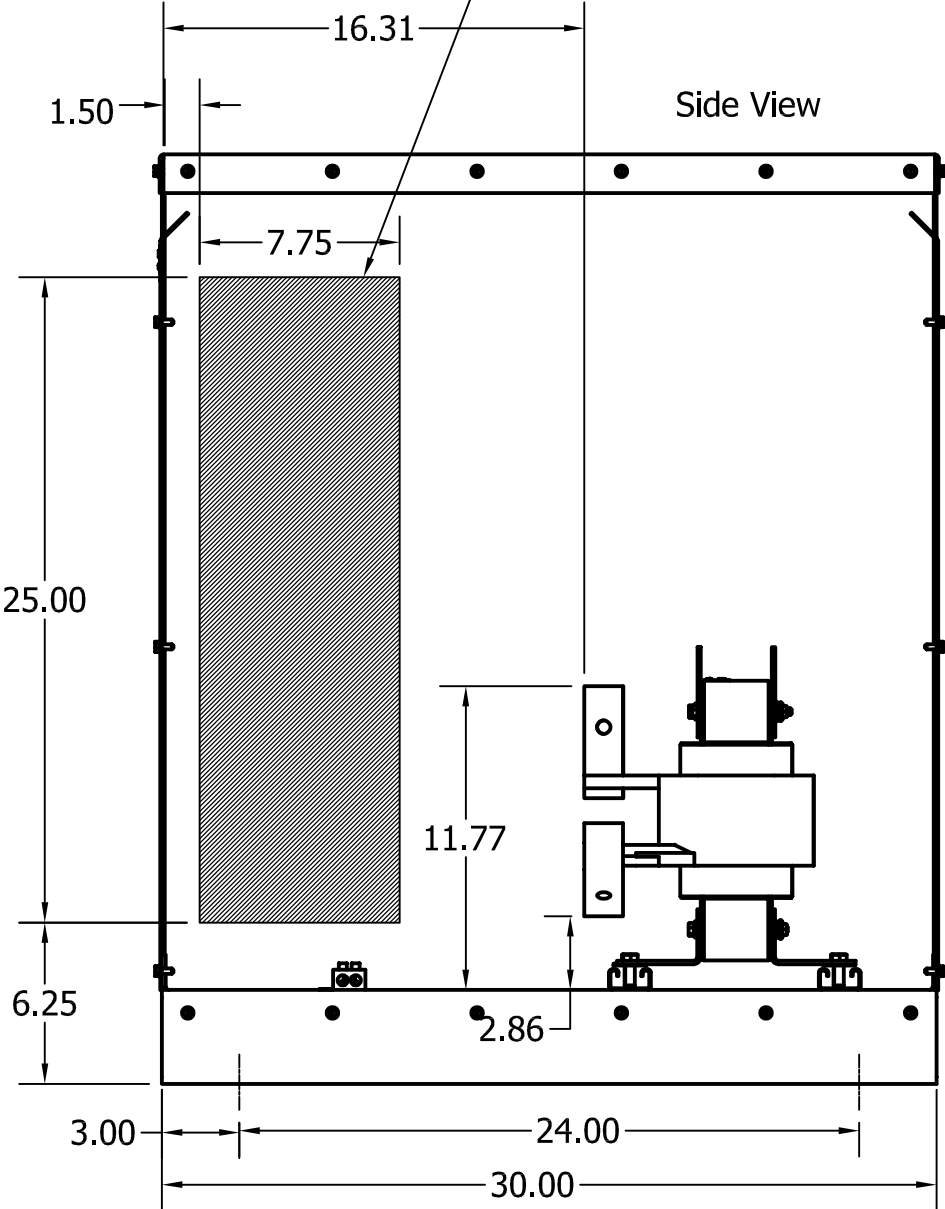
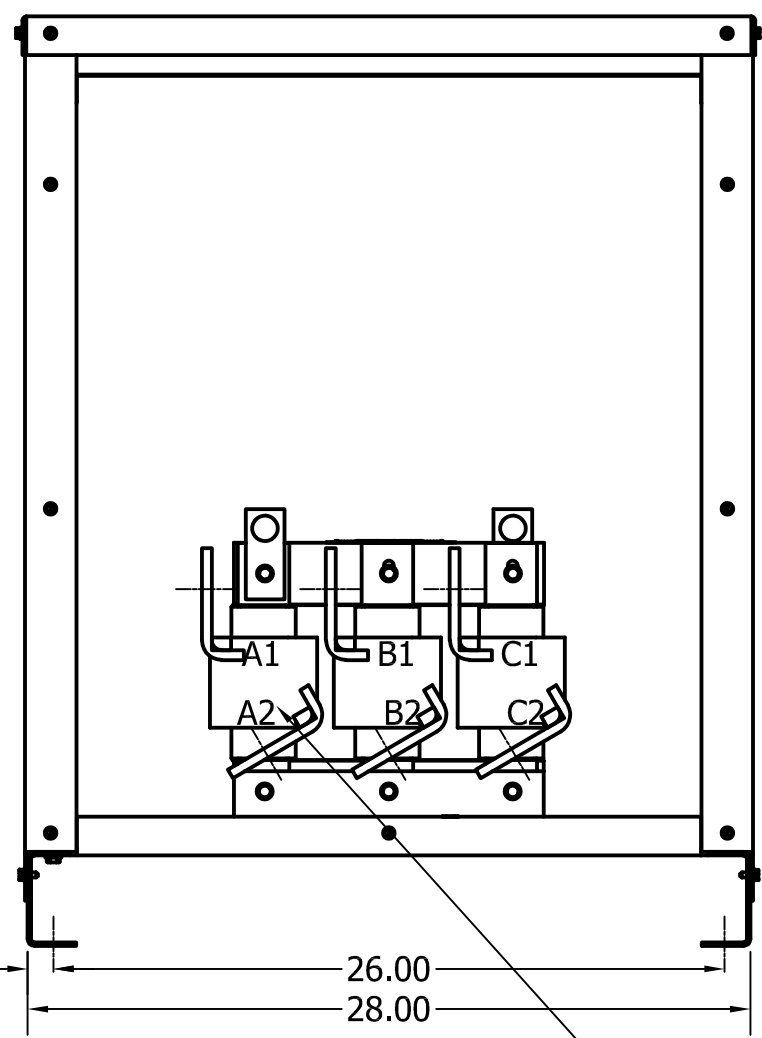
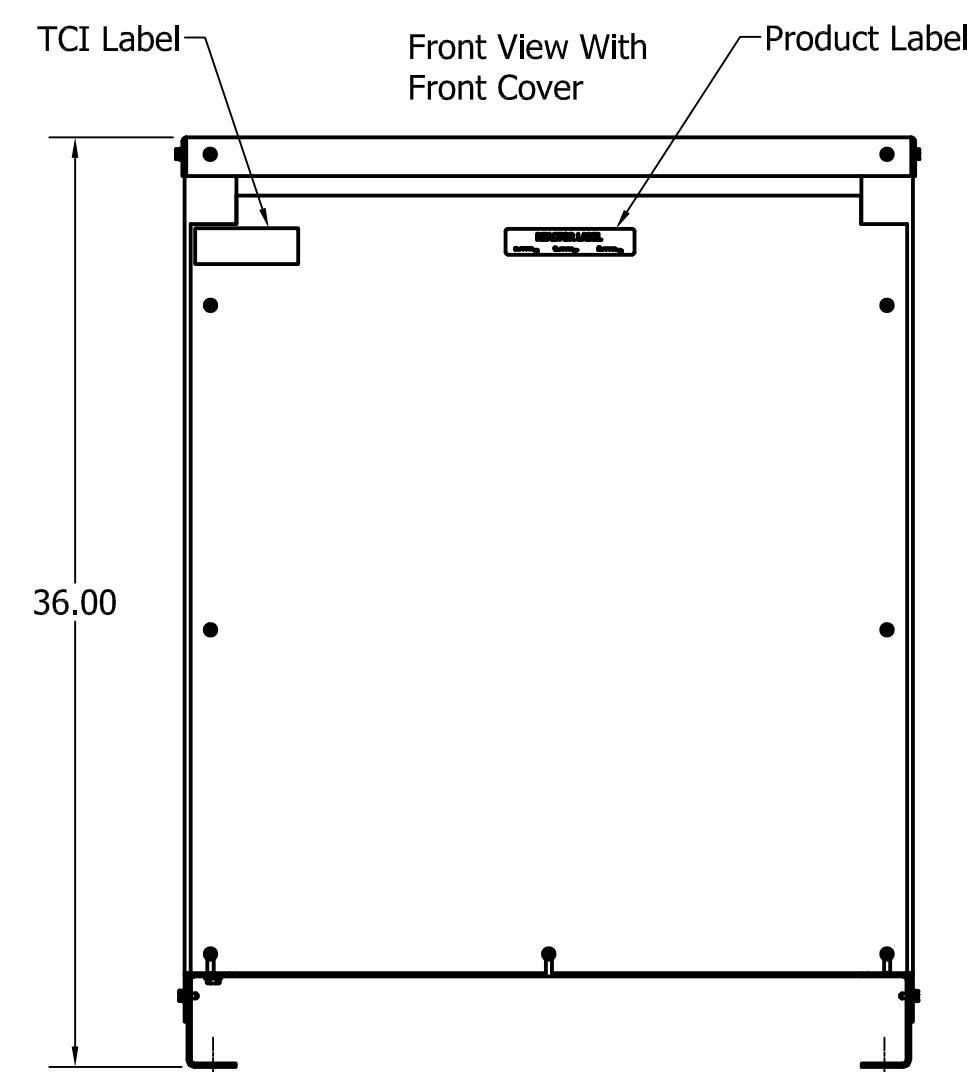


Ground Lug. For KDRL3LE01  
See IOM Manual, Part# 30895  
Table S2/0, Wire Size And Torque.

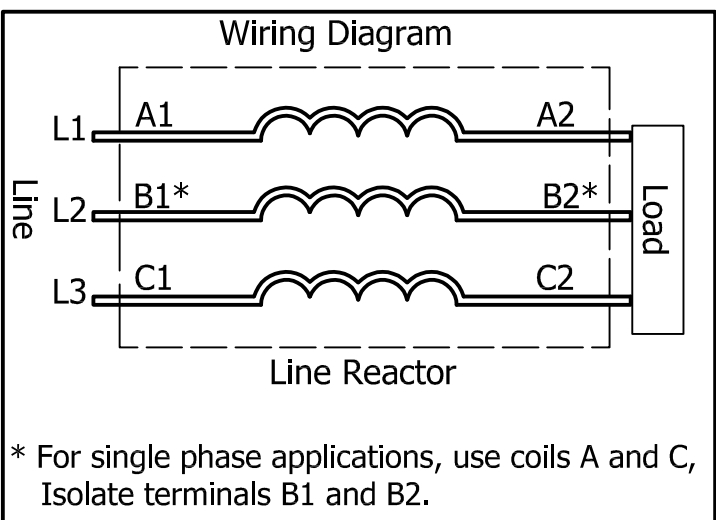
Ground Lug. For KDRL43LE01  
See IOM Manual, Part# 30895  
Table 2S350, Wire Size And Torque.

Suggested  
Customer Wire Entrance  
Bottom Of Enclosure.  
See Note: 8  
(Non Removeable Panel)

Suggested  
Customer Entrance  
Either Side Of Enclosure.  
See Note: 8  
(Non Removeable Panel)



(Customer Connections)  
Markings On Coils  
For Reference Only.



\* For single phase applications, use coils A and C,  
Isolate terminals B1 and B2.

480 Rated Voltage, 600 Max Voltage, Low Z, Impedance.								
Part Number	Horsepower (HP)	Motor Amps (A)	Maximum Amps (A)	Inductance (uH)	Weight (LBS)	Losses (W)	Available Lug Kit	Terminal Hole Size (Inches)
KDRL3LE01	600	720	750	26	315	748	SLK15	0.53

575 Rated Voltage, 600 Max Voltage, Low Z, Impedance.								
Part Number	Horsepower (HP)	Motor Amps (A)	Maximum Amps (A)	Inductance (uH)	Weight (LBS)	Losses (W)	Available Lug Kit	Terminal Hole Size (Inches)
KDRL43LE01	700	672	675	34.1	320	836	SLK15	0.53

**TCL** (800) 824-8282 [transcoil.com](http://transcoil.com)

TCL, LLC  
Germantown, WI, USA  
[transcoil.com](http://transcoil.com)  
800-824-8282

KDRUL Drive Reactor  
KDR - Motor Amps -  
3PH, 50/60Hz, -V Rated, 600V Max, -A Max  
40C Amb Max, 155C Rise, RoHS  
Manual #30895 LUG KIT #SLK-

UL LISTED  
cULus LISTED  
E116124

DATE CODE A1 A2 B1 B2 C1 C2

- Notes:
1. KDR Lug Kits sold separately. Contact TCL.
  2. For KDRUL Version With Terminal Lugs Attached, See Sheet 8
  3. UL file number: cULus Listed File E116124.
  4. KDR Drive Reactors Comply With The Thermal and Altitude Standards Set Forth by NEMA ST20-1992.
  5. KDR IOM Manual Part Number 30895
  6. NEC Current For 208/240 Volts, Horsepower Based On 208 Volts.
  7. Material(s) Shall be RoHS Compliant
  8. Customer Is Responsible For Installation To Meet All National And Local Electrical Codes.

TCL, LLC CLAIMS PROPRIETARY RIGHTS IN THE MATERIAL HEREIN DISCLOSED. IT IS SUPPLIED WITHOUT PREDJUDICE TO ANY PATENT RIGHTS OF TCL AND MAY NOT BE REPRODUCED OR USED TO MANUFACTURE ANYTHING SHOWN THEREIN WITHOUT WRITTEN PERMISSION FROM TCL.

TOLERANCES (EXCEPT AS NOTED)			
DECIMAL			
.XX	± .25		
.XXX	± .10		
FRACTIONAL			
± 1/16			
ANGULAR			
± 1°			

**TCL** W132 N10611 Grant Drive  
Germantown, WI 53022

KDR L Frame, Copper Bus, Enclosed  
Type 1, Reactor Drawing

DRN BY: DSW DATE: 3/22/18  
SCALE: 1/5

107614DG

SIZE C

SHT 7 OF 12

NO	REVISION	DATE	BY
A	As Designed	3/22/18	DSW