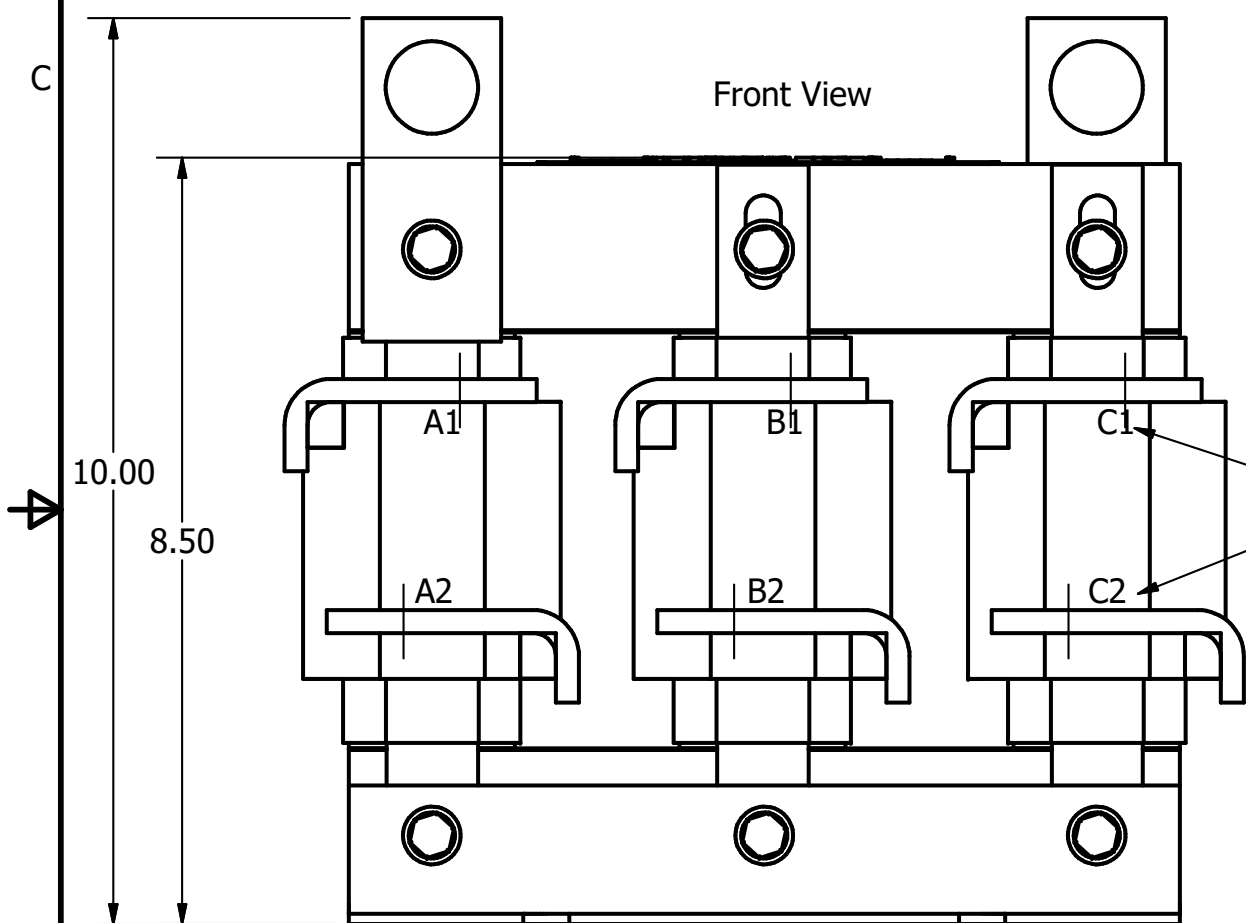
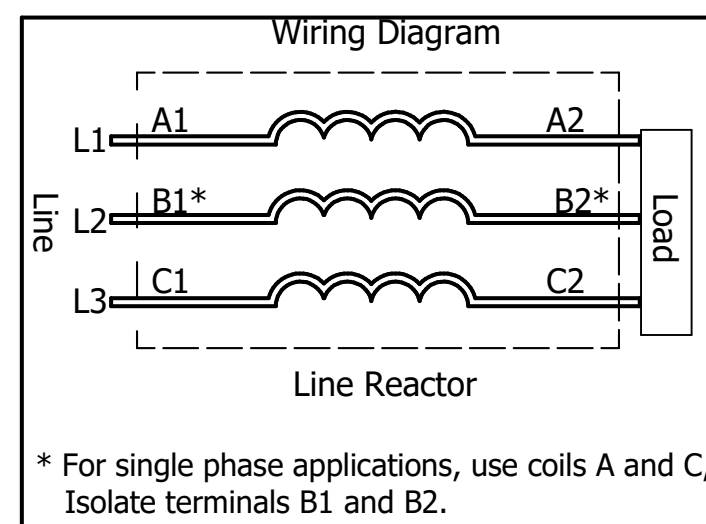
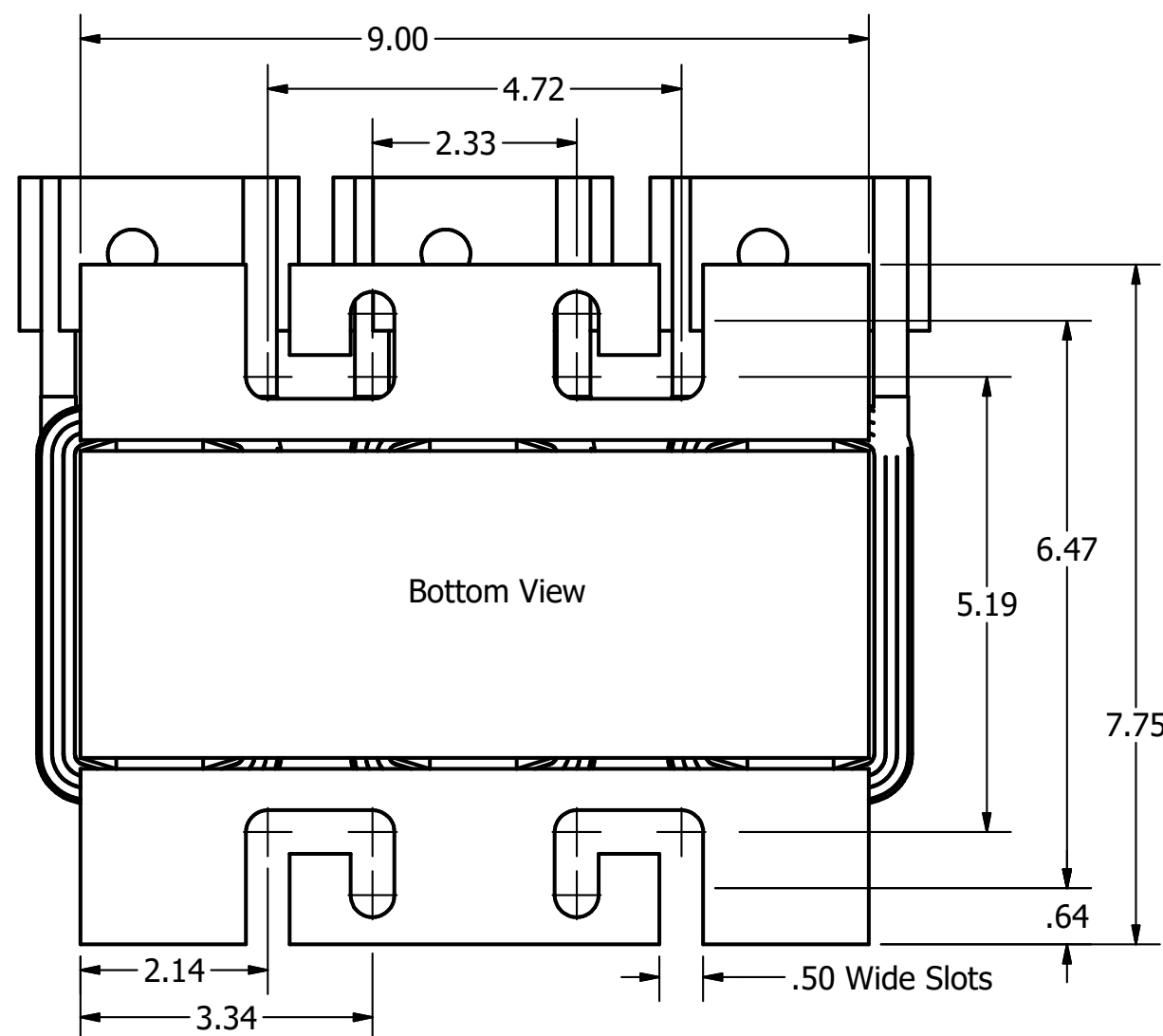
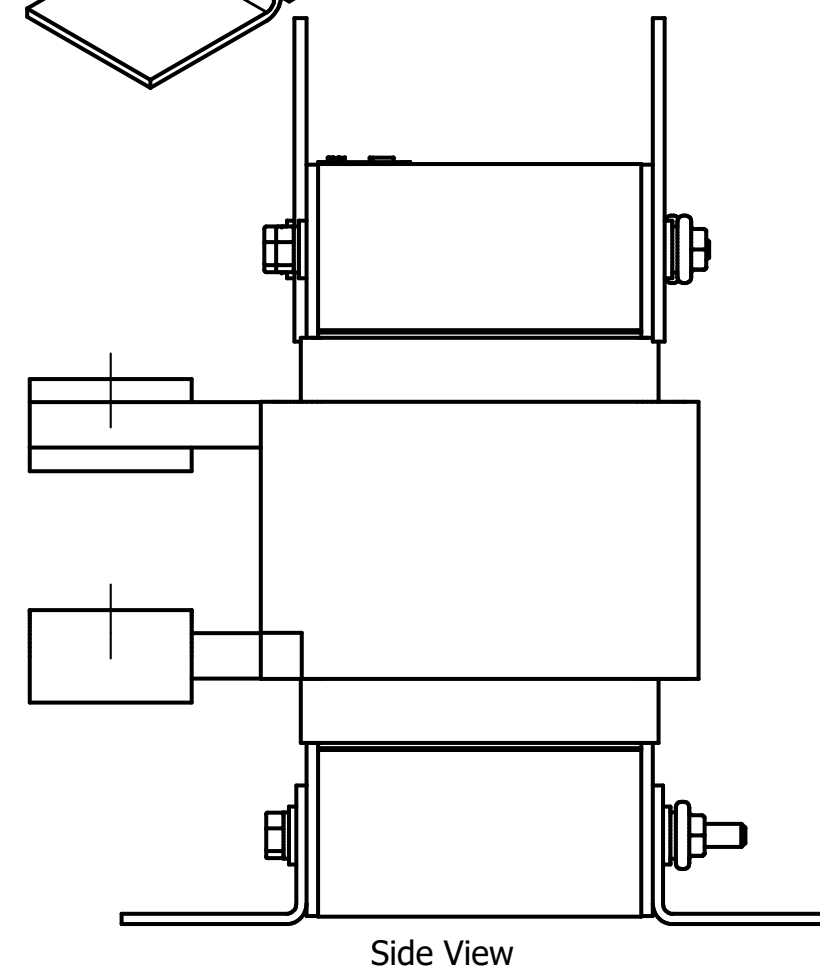


690 Rated Voltage, 690 Max Voltage, Low Z, Impedance.							
Part Number	Horsepower (HP)	Motor Amps (A)	Maximum Amps (A)	Inductance (uH)	Weight (LBS)	Terminal Hole Size (Inches)	Losses (W)
KDRJ45LV	350	336	336	88.9	79	0.53	474
KDRJ43LV	400	382	385	69.6	79	0.53	463
KDRJ44LV	450	412	412	71.3	79	0.53	473



(Customer Connections) Markings On Coils For Reference Only.



TCl, LLC CLAIMS PROPRIETARY RIGHTS IN THE MATERIAL HEREIN DISCLOSED. IT IS SUPPLIED WITHOUT PREJUDICE TO ANY PATENT RIGHTS OF TCl AND MAY NOT BE REPRODUCED OR USED TO MANUFACTURE ANYTHING SHOWN THEREIN WITHOUT WRITTEN PERMISSION FROM TCl.

TOLERANCES (EXCEPT AS NOTED)			
DECIMAL			
	XX ± .25		
FRACTIONAL			
	± 1/16		
ANGULAR			
	± 1°		
B	4430, ADD LIFT RINGS		
B	Drawing was 103109	7/11/18	DSW
NO	REVISION	DATE	BY

**TCl** W132 N10611 Grant Drive  
Germantown, WI 53022

690V, KDR J Frame, Copper Bus  
Reactor Drawing

DRN BY: DSW DATE: 02/06/07 103109-1DG  
SCALE: 1/2.2 APRVD: SIZE C SHT. 1 OF 1