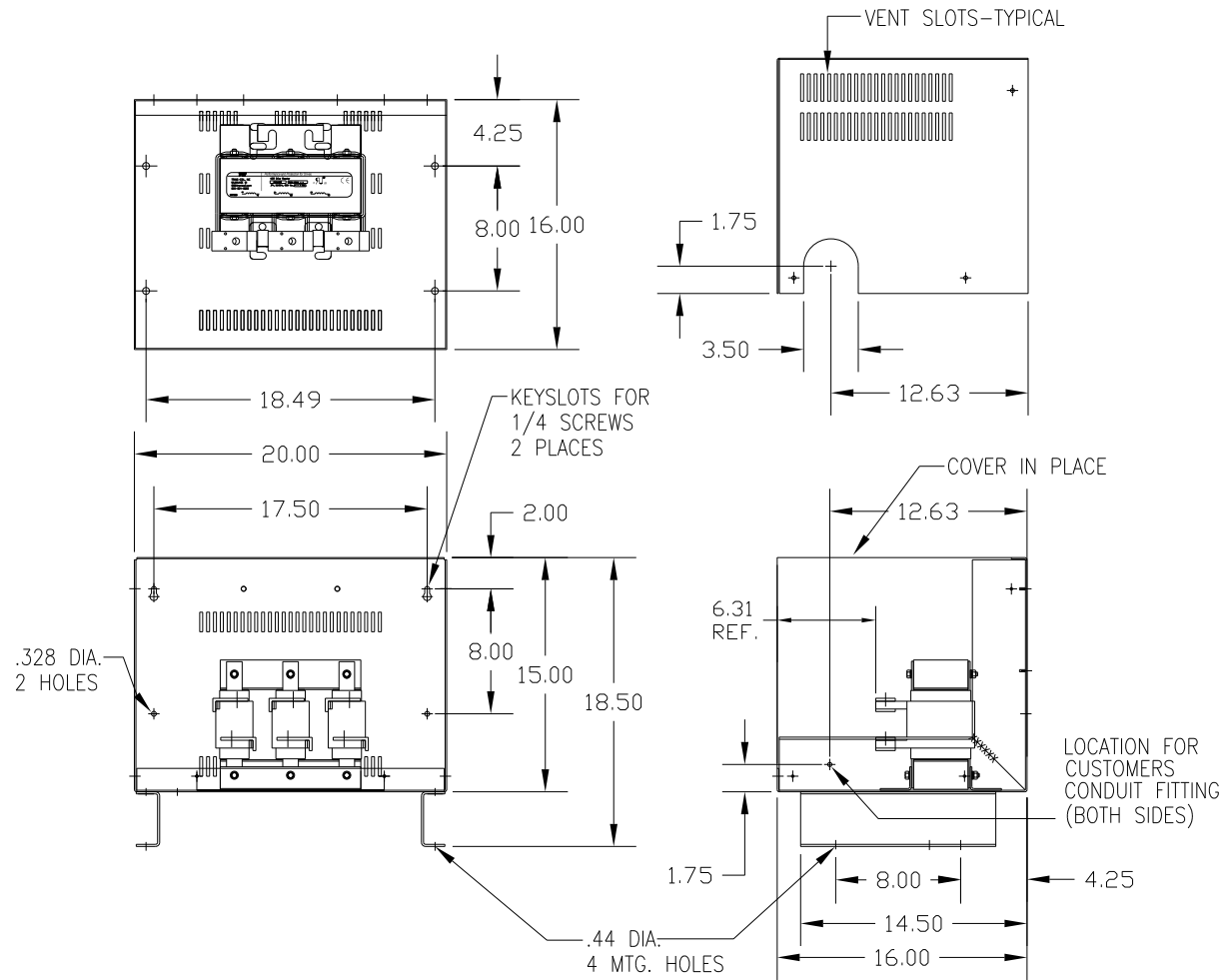
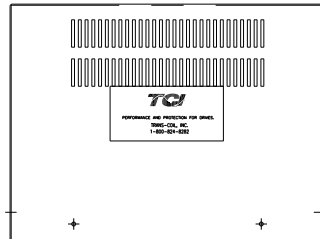
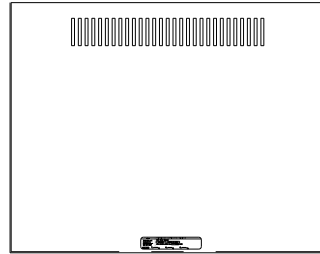


CATALOG NO	VOLTAGE	NEC MOTOR HP	NEC MOTOR CURRENT	WATTS LOSS	TERMINAL HOLE SIZE	APPROX WT-LBS
KDRJ45LC5V	690	350	336	474	.56	120



CUSTOMER IS RESPONSIBLE FOR INSTALLATION TO MEET ALL NATIONAL AND LOCAL ELECTRICAL CODES.

NO	REVISION	DATE	BY	SCALE	TOLERANCES (EXCEPT AS NOTED)	DECIMAL	FRACTIONAL	ANGULAR	DWG. NO.	DATE	APRVD.	SCALE	DATE	APRVD.	DWG. NO.	DATE	APRVD.	
						.XX ± .03	.XXX ± .01	± 1/32	DSW	2/17/12	B				B	KDRJ45LC5V		
								± 1/2°										

TCI 7878 N. 86th STREET MILWAUKEE, WI 53224

KDR DRIVE REACTOR, ENCLOSED 690V LOW Z, FRAME J

SHT. 1 of 1