

208/240 Rated Voltage, 600 Max Voltage, High Z, Impedance.

Part Number	Horsepower (HP)	Motor Amps (A)	Maximum Amps (A)	Inductance (uH)	Weight (LBS)	Losses (W)	Available Lug Kit	Terminal Hole Size (Inches)
KDRJ22HE3R	150	396	412	46.3	140	465	SLK13	0.53
KDRJ21HE3R	200	528	534	35.6	140	516	SLK14	0.53

575 Rated Voltage, 600 Max Voltage, Low Z, Impedance.

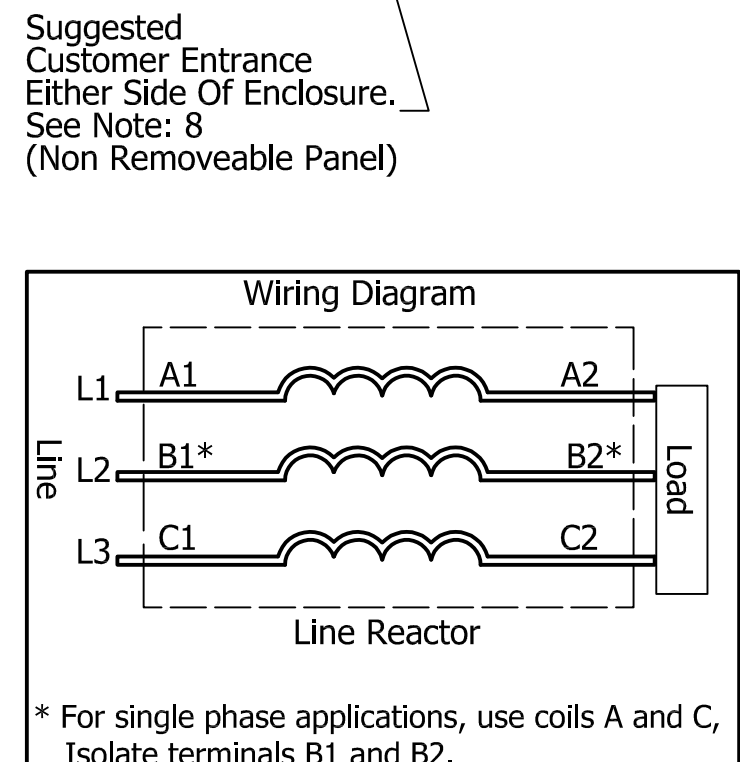
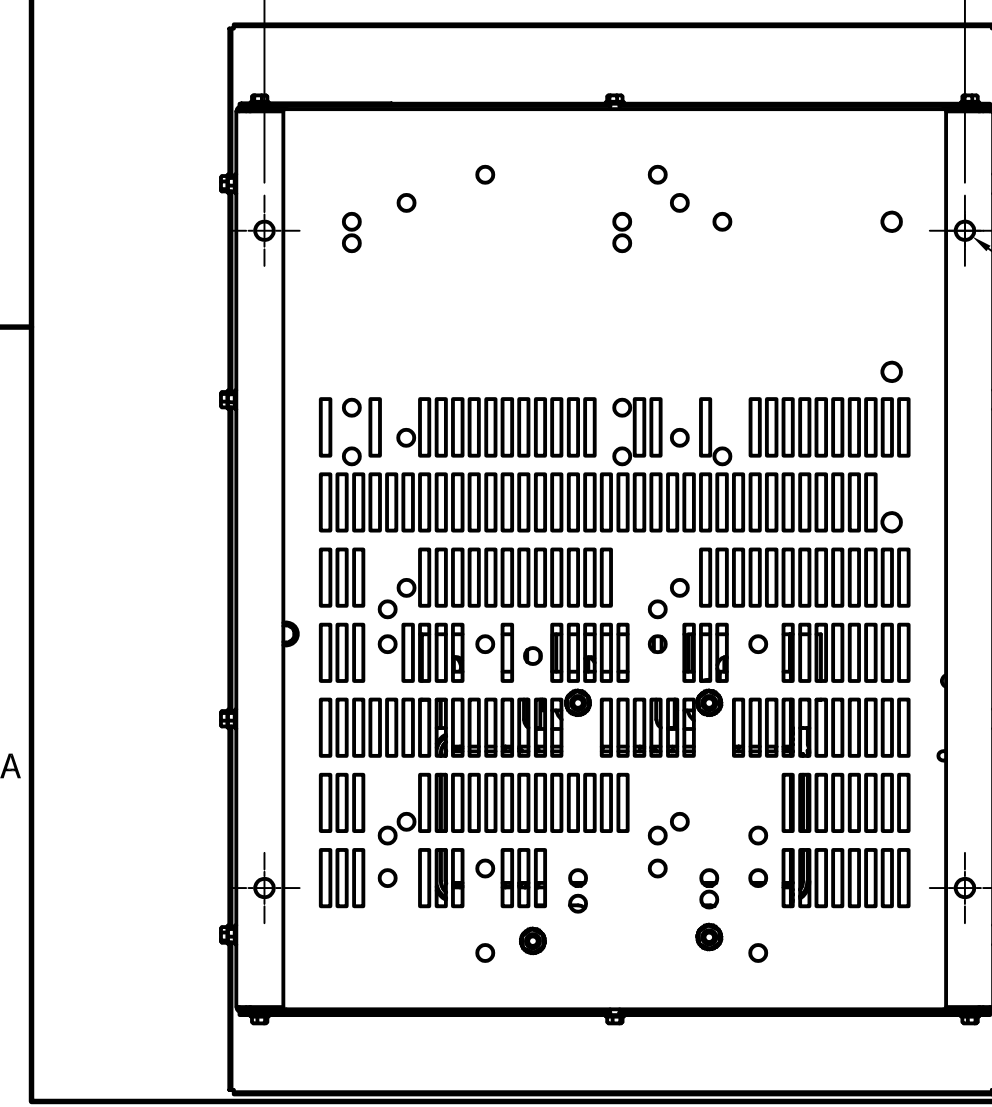
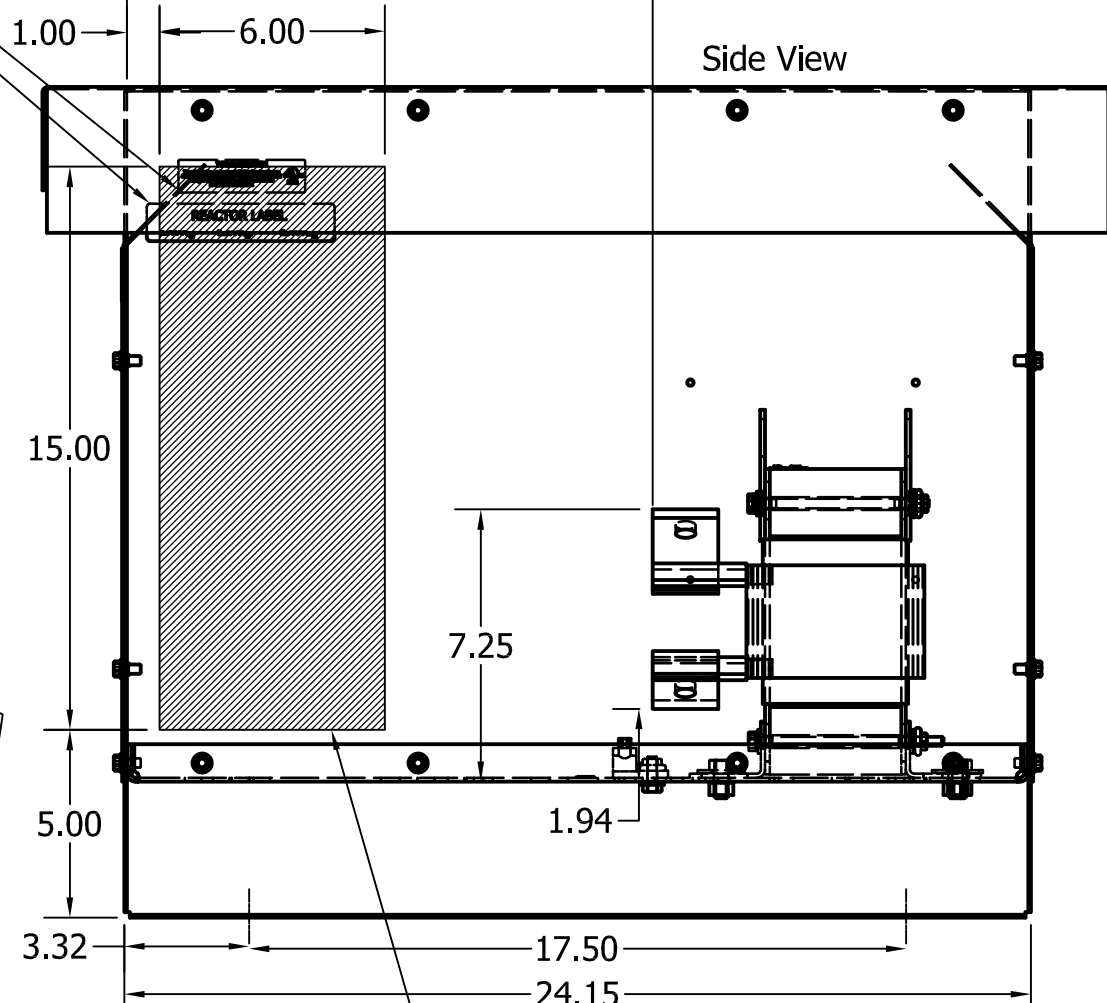
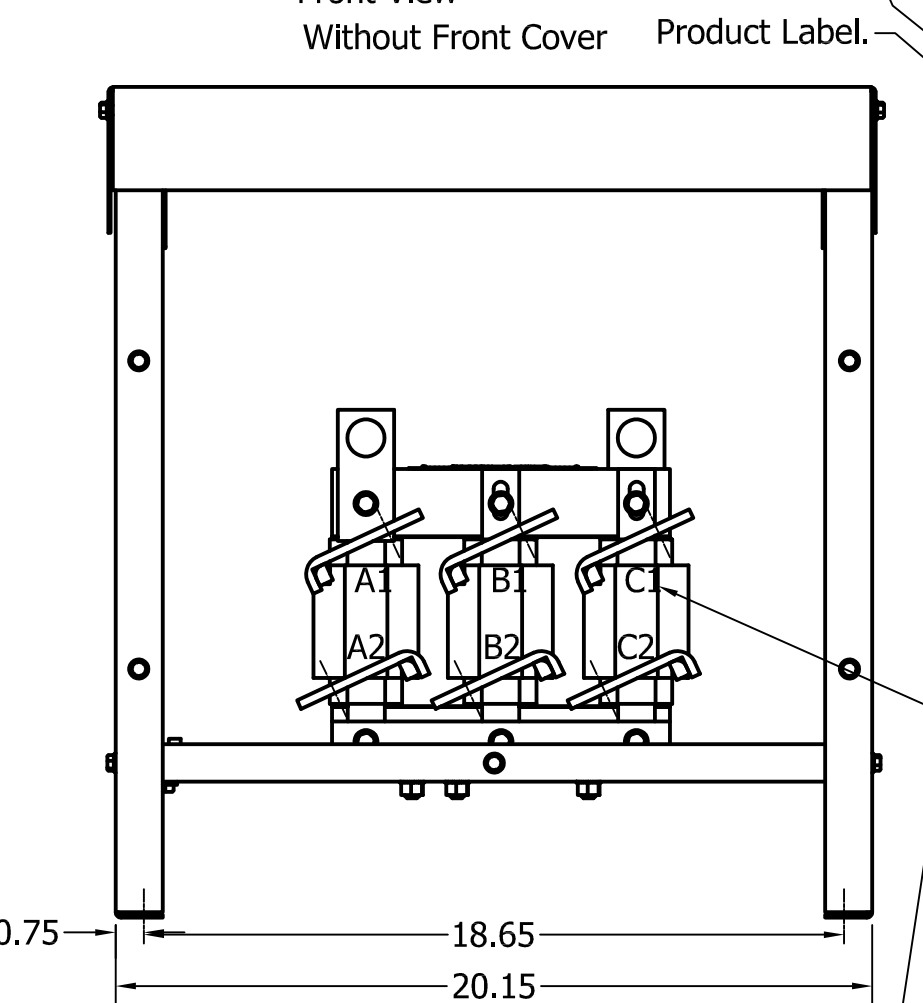
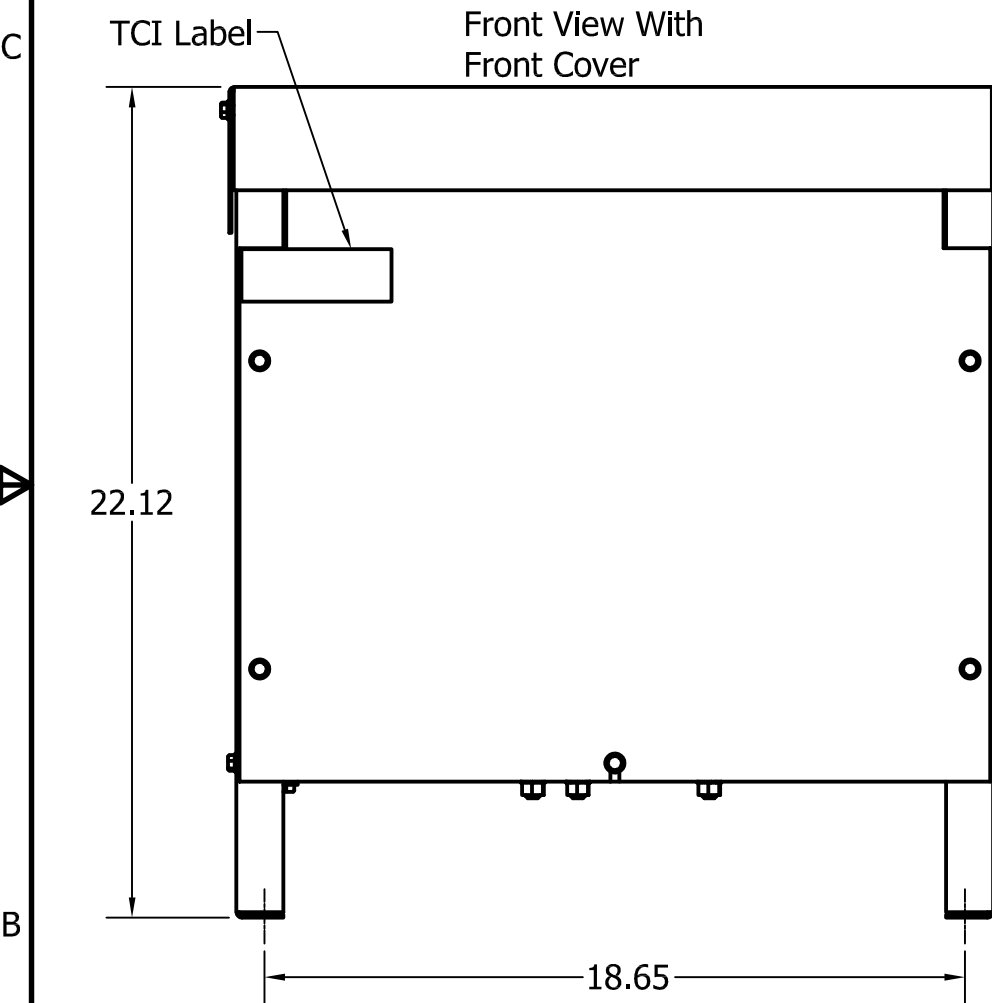
Part Number	Horsepower (HP)	Motor Amps (A)	Maximum Amps (A)	Inductance (uH)	Weight (LBS)	Losses (W)	Available Lug Kit	Terminal Hole Size (Inches)
KDRJ45LE3R	350	336	336	88.9	150	474	SLK13	0.53
KDRJ43LE3R	400	382	385	69.6	150	473	SLK13	0.53
KDRJ44LE3R	450	412	412	71.3	150	473	SLK13	0.53

480 Rated Voltage, 600 Max Voltage, Output

Part Number	Horsepower (HP)	Motor Amps (A)	Maximum Amps (A)	Inductance (uH)	Weight (LBS)	Losses (W)	Available Lug Kit	Terminal Hole Size (Inches)
KDRJ2PE3R	300	361	365	31.1	140	221	SLK13	0.53

575 Rated Voltage, 600 Max Voltage, Output

Part Number	Horsepower (HP)	Motor Amps (A)	Maximum Amps (A)	Inductance (uH)	Weight (LBS)	Losses (W)	Available Lug Kit	Terminal Hole Size (Inches)
KDRJ32PE3R	350	336	360	32.6	140	221	SLK13	0.53



**TCI** (800) 824-8282 [transcoll.com](http://transcoll.com)

TCI, LLC  
Germantown, WI, USA  
[transcoll.com](http://transcoll.com)  
800-824-8282

KDRUL Drive Reactor  
KDR- Motor Amps -  
3PH, 50/60Hz, -V Rated, 600V Max, -A Max  
40C Amb Max, 155C Rise, RoHS  
Manual #30895 LUG KIT #SLK-

UL LISTED CE  
250 CIRC. 50, 2010

DATE CODE A1 A2 B1 B2 C1 C2

- Notes:
1. KDR Lug Kits sold separately. Contact TCI.
  2. For KDRUL Version With Terminal Lugs Attached, See Sheet 6
  3. UL file number: cULus Listed File E116124.
  4. KDR Drive Reactors Comply With The Thermal and Altitude Standards Set Forth by NEMA ST20-1992.
  5. KDR IOM Manual Part Number 30895
  6. NEC Current For 208/240 Volts, Horsepower Based On 208 Volts.
  7. Material(s) Shall be RoHS Compliant
  8. Customer Is Responsible For Installation To Meet All National And Local Electrical Codes.

TCI, LLC CLAIMS PROPRIETARY RIGHTS IN THE MATERIAL HEREIN DISCLOSED. IT IS SUPPLIED WITHOUT PREJUDICE TO ANY PATENT RIGHTS OF TCI AND MAY NOT BE REPRODUCED OR USED TO MANUFACTURE ANYTHING SHOWN THEREIN WITHOUT WRITTEN PERMISSION FROM TCI.

TOLERANCES (EXCEPT AS NOTED)  
DECIMAL  
.XX ± .25  
.XXX ± .10  
FRACTIONAL  
± 1/16  
ANGULAR  
± 1°

W132 N10611 Grant Drive  
Germantown, WI 53022

KDR J Frame, Copper Bus, Enclosed  
Type 3R, Reactor Drawing

DRN BY DSW	DATE 4/25/18	107621DG
SCALE 1/5	APPRV C	SIZE C

NO REVISION DATE BY

SHT 5 OF 8