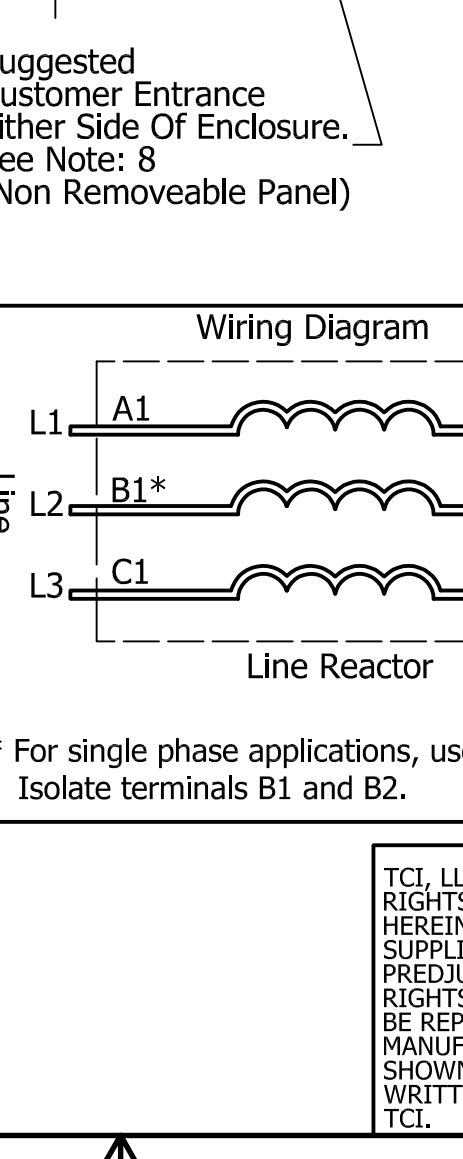


Ground Lug. See IOM Manual, Part# 30895 Table S2/0, Wire Size And Torque.

Enclosure UL Label

Product Label.

(Customer Connections) Markings On Coils For Reference Only.



208/240 Rated Voltage, 600 Max Voltage, Low Z, Impedance.								
Part Number	Horsepower (HP)	Motor Amps (A)	Maximum Amps (A)	Inductance (uH)	Weight (LBS)	Losses (W)	Available Lug Kit	Terminal Hole Size (Inches)
KDRJ23LE3R	150	396	420	25.5	140	401	SLK13	0.53
KDRJ24LE3R	200	528	534	21.8	140	442	SLK14	0.53

480 Rated Voltage, 600 Max Voltage, Low Z, Impedance.								
Part Number	Horsepower (HP)	Motor Amps (A)	Maximum Amps (A)	Inductance (uH)	Weight (LBS)	Losses (W)	Available Lug Kit	Terminal Hole Size (Inches)
KDRJ2LE01	350	414	500	44	136	465	SLK14	0.53
KDRJ1LE01	400	477	520	37.5	136	470	SLK14	0.53

**TCL** (800) 824-8282 [transcoll.com](http://transcoll.com)

TCL, LLC  
Germantown, WI, USA  
[transcoll.com](http://transcoll.com)  
800-824-8282

KDRUL Drive Reactor  
KDR- Motor Amps ---  
3PH, 50/60Hz, ---V Rated, 600V Max, -A Max  
40C Amb Max, 155C Rise, RoHS  
Manual #30895 LUG KIT #SLK---

UL LISTED CE  
250 CANT. 09, 2008

DATE CODE A1 A2 B1 B2 C1 C2

- Notes:
1. KDR Lug Kits sold separately. Contact TCI.
  2. For KDRUL Version With Terminal Lugs Attached, See Sheet 8
  3. UL file number: cULus Listed File E116124.
  4. KDR Drive Reactors Comply With The Thermal and Altitude Standards Set Forth by NEMA ST20-1992.
  5. KDR IOM Manual Part Number 30895
  6. NEC Current For 208/240 Volts, Horsepower Based On 208 Volts.
  7. Material(s) Shall be RoHS Compliant
  8. Customer Is Responsible For Installation To Meet All National And Local Electrical Codes.

TCL, LLC CLAIMS PROPRIETARY RIGHTS IN THE MATERIAL HEREIN DISCLOSED. IT IS SUPPLIED WITHOUT PREDJUDICE TO ANY PATENT RIGHTS OF TCL AND MAY NOT BE REPRODUCED OR USED TO MANUFACTURE ANYTHING SHOWN THEREIN WITHOUT WRITTEN PERMISSION FROM TCL.

A Combined Drawings		4/25/18	DSW	TOLERANCES (EXCEPT AS NOTED)	
NO REVISION		DATE	BY	DECIMAL	
				.XX ± .25	
				.XXX ± .10	
				FRACTIONAL	
				± 1/16	
				ANGULAR	
				± 1°	

W132 N10611 Grant Drive  
Germantown, WI 53022

KDR J Frame, Copper Bus, Enclosed  
Type 3R, Reactor Drawing

DRN BY: DSW DATE: 4/25/18 107621DG  
SCALE: 1/5 APRVD: 1 SIZE C SHT 7 OF 8