

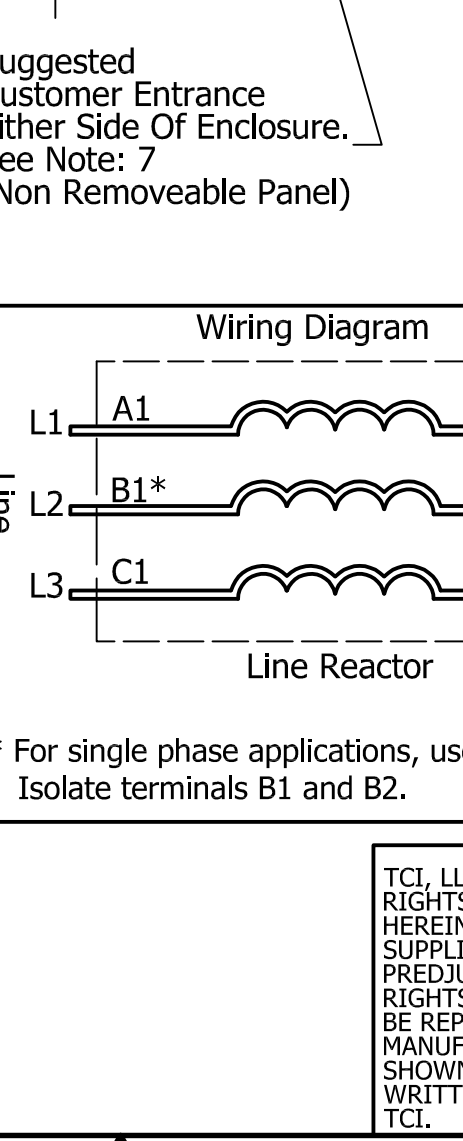
Ground Lug.
See IOM Manual, Part# 30895
Table S2/0, Wire Size And Torque.

Suggested
Customer Wire Entrance
Bottom Of Enclosure.
See Note: 7
(Non Removeable Panel)

Enclosure
UL Label

Product Label.

Suggested
Customer Entrance
Either Side Of Enclosure.
See Note: 7
(Non Removeable Panel)



480 Rated Voltage, 600 Max Voltage, High Z, Impedance.								
Part Number	Horsepower (HP)	Motor Amps (A)	Maximum Amps (A)	Inductance (uH)	Weight (LBS)	Losses (W)	Available Lug Kit	Terminal Hole Size (Inches)
KDRJ1HE3R	200	240	240	126	145	420	SLK12	0.44

480 Rated Voltage, 600 Max Voltage, Output								
Part Number	Horsepower (HP)	Motor Amps (A)	Maximum Amps (A)	Inductance (uH)	Weight (LBS)	Losses (W)	Available Lug Kit	Terminal Hole Size (Inches)
KDRJ1PE3R	250	302	310	38.2	140	216	SLK12	0.44

575 Rated Voltage, 600 Max Voltage, Output								
Part Number	Horsepower (HP)	Motor Amps (A)	Maximum Amps (A)	Inductance (uH)	Weight (LBS)	Losses (W)	Available Lug Kit	Terminal Hole Size (Inches)
KDRJ31PE3R	300	289	300	38.8	140	216	SLK12	0.44

TCI (800) 824-8282 transcoll.com

TCI, LLC
Germantown, WI, USA
transcoll.com
800-824-8282

KDRUL Drive Reactor
KDR- Motor Amps ---
3PH, 50/60Hz, ---V Rated, 600V Max, ---A Max
40C Amb Max, 155C Rise, RoHS
Manual #30895 LUG KIT #SLK---

UL LISTED CE
250 CANT. 09, 2008

- Notes:
1. KDR Lug Kits sold separately. Contact TCI.
 2. For KDRUL Version With Terminal Lugs Attached, See Sheet 2
 3. UL file number: cULus Listed File E116124.
 4. KDR Drive Reactors Comply With The Thermal and Altitude Standards Set Forth by NEMA ST20-1992.
 5. KDR IOM Manual Part Number 30895
 6. Material(s) Shall be RoHS Compliant
 7. Customer Is Responsible For Installation To Meet All National And Local Electrical Codes.

TCI, LLC CLAIMS PROPRIETARY RIGHTS IN THE MATERIAL HEREIN DISCLOSED. IT IS SUPPLIED WITHOUT PREDJUDICE TO ANY PATENT RIGHTS OF TCI AND MAY NOT BE REPRODUCED OR USED TO MANUFACTURE ANYTHING SHOWN THEREIN WITHOUT WRITTEN PERMISSION FROM TCI.

NO	REVISION	DATE	BY	TOLERANCES (EXCEPT AS NOTED)
A	Combined Drawings	4/25/18	DSW	DECIMAL .XX ± .25 .XXX ± .10
				FRACTIONAL ± 1/16
				ANGULAR ± 1°

W132 N10611 Grant Drive
Germantown, WI 53022

KDR J Frame, Copper Bus, Enclosed
Type 3R, Reactor Drawing

DRN BY: DSW DATE: 4/25/18 107621DG
SCALE: 1/5 APPRVD: 1 C SIZE: C SHT. 1 OF 8