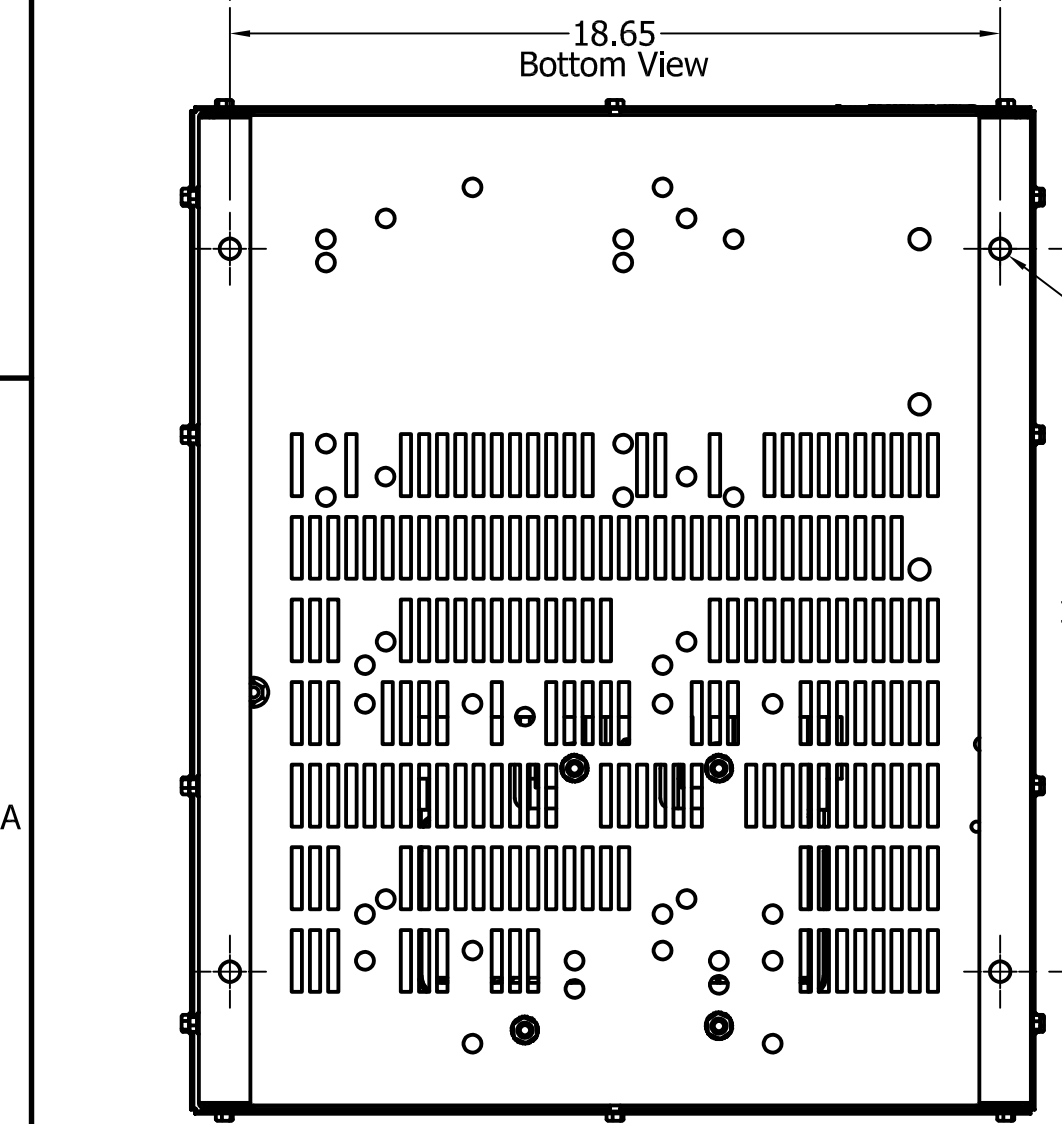
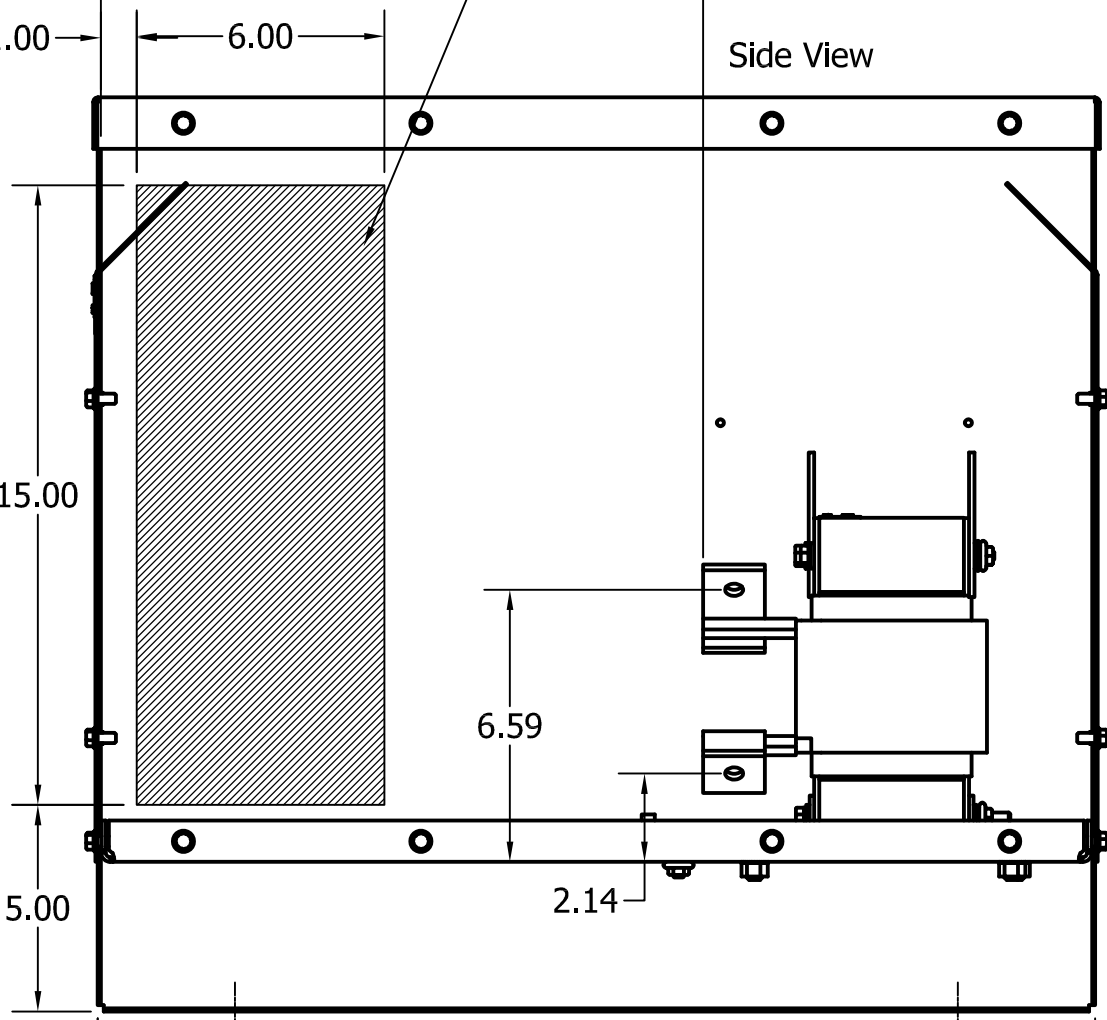
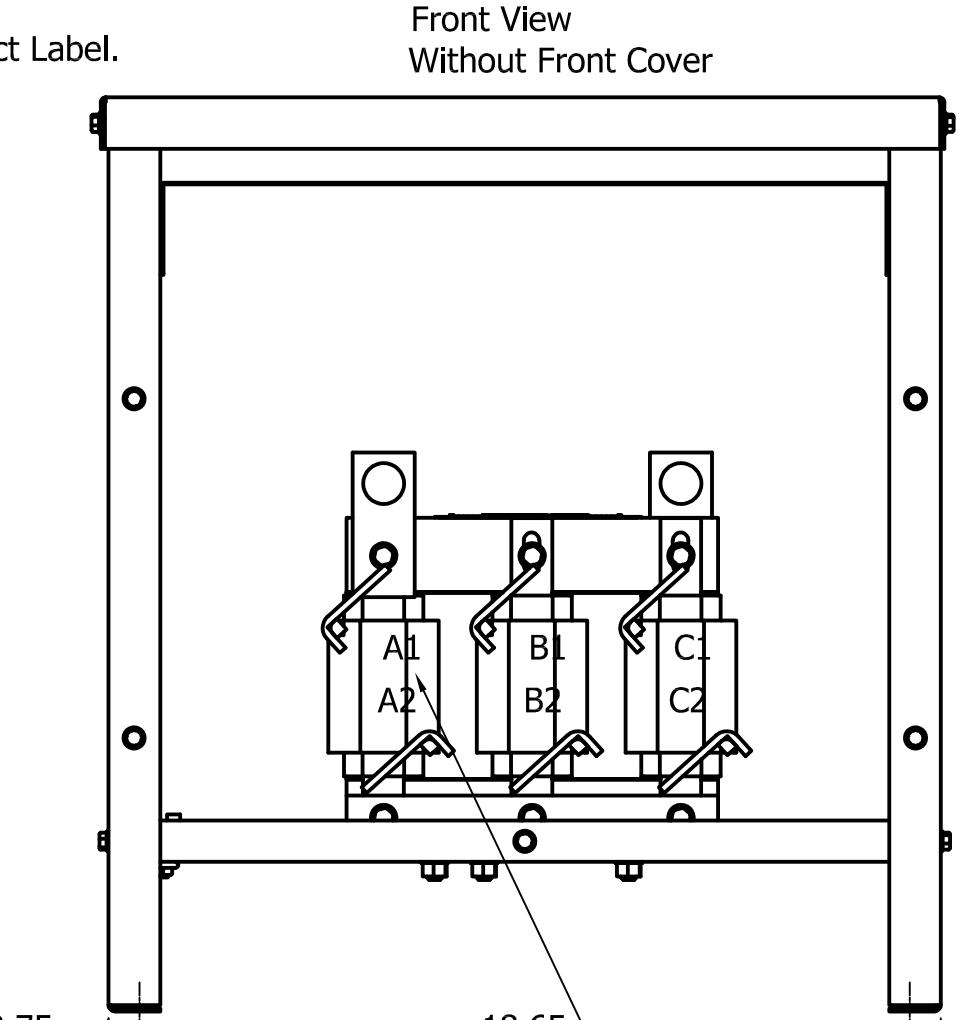
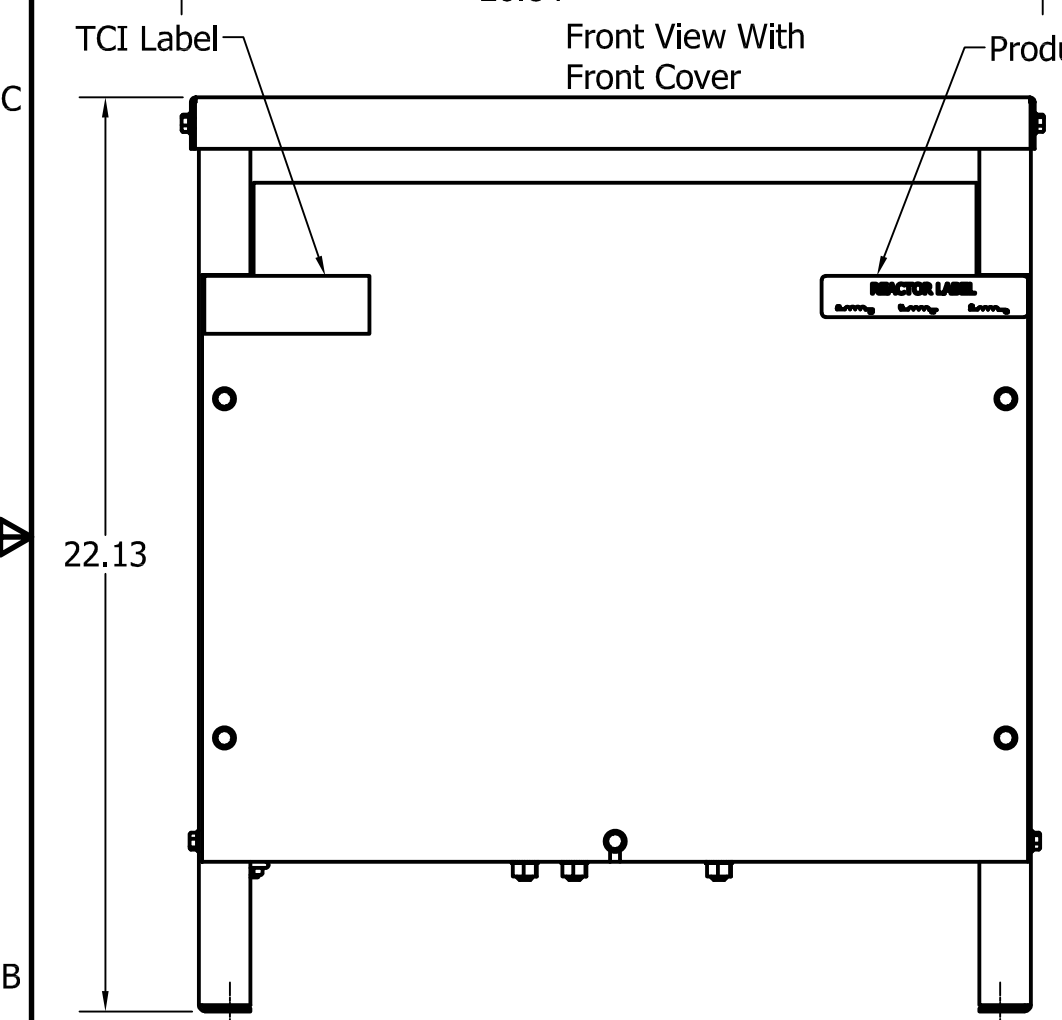


Ground Lug.  
See IOM Manual, Part# 30895  
Table S2/0, Wire Size And Torque.

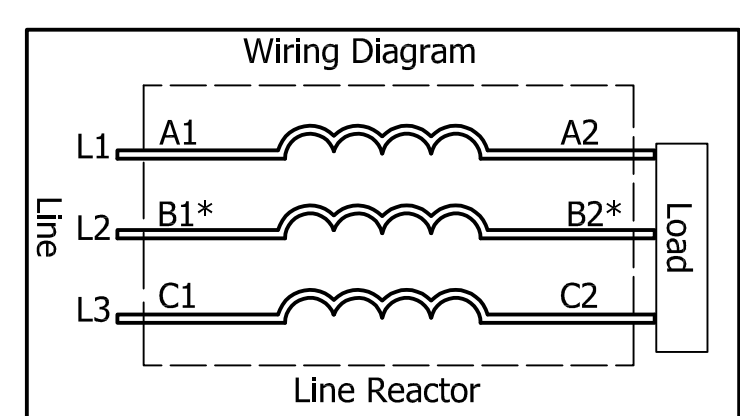
Suggested  
Customer Wire Entrance  
Bottom Of Enclosure.  
See Note: 8  
(Non Removeable Panel)

Suggested  
Customer Entrance  
Either Side Of Enclosure.  
See Note: 8  
(Non Removeable Panel)



0.50 Dia Mounting Holes  
4 Places, (Bottom of Enclosure)

(Customer Connections)  
Markings On Coils  
For Reference Only.



\* For single phase applications, use coils A and C,  
Isolate terminals B1 and B2.

480 Rated Voltage, 600 Max Voltage, High Z, Impedance.								
Part Number	Horsepower (HP)	Motor Amps (A)	Maximum Amps (A)	Inductance (uH)	Weight (LBS)	Losses (W)	Available Lug Kit	Terminal Hole Size (Inches)
KDRJ1HE01	200	240	240	126	141	420	SLK12	0.44

480 Rated Voltage, 600 Max Voltage, Output								
Part Number	Horsepower (HP)	Motor Amps (A)	Maximum Amps (A)	Inductance (uH)	Weight (LBS)	Losses (W)	Available Lug Kit	Terminal Hole Size (Inches)
KDRJ1PE01	250	302	310	38.2	136	216	SLK12	0.44

575 Rated Voltage, 600 Max Voltage, Output								
Part Number	Horsepower (HP)	Motor Amps (A)	Maximum Amps (A)	Inductance (uH)	Weight (LBS)	Losses (W)	Available Lug Kit	Terminal Hole Size (Inches)
KDRJ31PE01	300	289	300	38.8	136	216	SLK12	0.44

**TCI** (800) 824-8282 [transcoll.com](http://transcoll.com)

TCI, LLC  
Germantown, WI, USA  
[transcoll.com](http://transcoll.com)  
800-824-8282

**KDRUL Drive Reactor**  
KDR- Motor Amps —  
3PH, 50/60Hz, —V Rated, 600V Max, —A Max  
40C Amb Max, 155C Rise, RoHS  
Manual #30895 LUG KIT #SLK—

DATE CODE

- Notes:
1. KDR Lug Kits sold separately. Contact TCI.
  2. For KDRUL Version With Terminal Lugs Attached, See Sheet 2
  3. UL file number: cULus Listed File E116124.
  4. KDR Drive Reactors Comply With The Thermal and Altitude Standards Set Forth by NEMA ST20-1992.
  5. KDR IOM Manual Part Number 30895
  6. NEC Current For 208/240 Volts, Horsepower Based On 208 Volts.
  7. Material(s) Shall be RoHS Compliant
  8. Customer Is Responsible For Installation To Meet All National And Local Electrical Codes.

TCI, LLC CLAIMS PROPRIETARY RIGHTS IN THE MATERIAL HEREIN DISCLOSED. IT IS SUPPLIED WITHOUT PREJUDICE TO ANY PATENT RIGHTS OF TCI AND MAY NOT BE REPRODUCED OR USED TO MANUFACTURE ANYTHING SHOWN THEREIN WITHOUT WRITTEN PERMISSION FROM TCI.

TOLERANCES (EXCEPT AS NOTED)			
DECIMAL			
.XX	± .25		
.XXX	± .10		
FRACTIONAL			
	± 1/16		
ANGULAR			
	± 1°		

**TCI** W132 N10611 Grant Drive  
Germantown, WI 53022

KDR J Frame, Copper Bus, Enclosed  
Type 1, Reactor Drawing

DRN BY: DSW DATE: 3/21/18 SIZE: 107613DG

SCALE: 1/5 APRVD: 1

NO. REVISION DATE BY

SHT 1 OF 8