

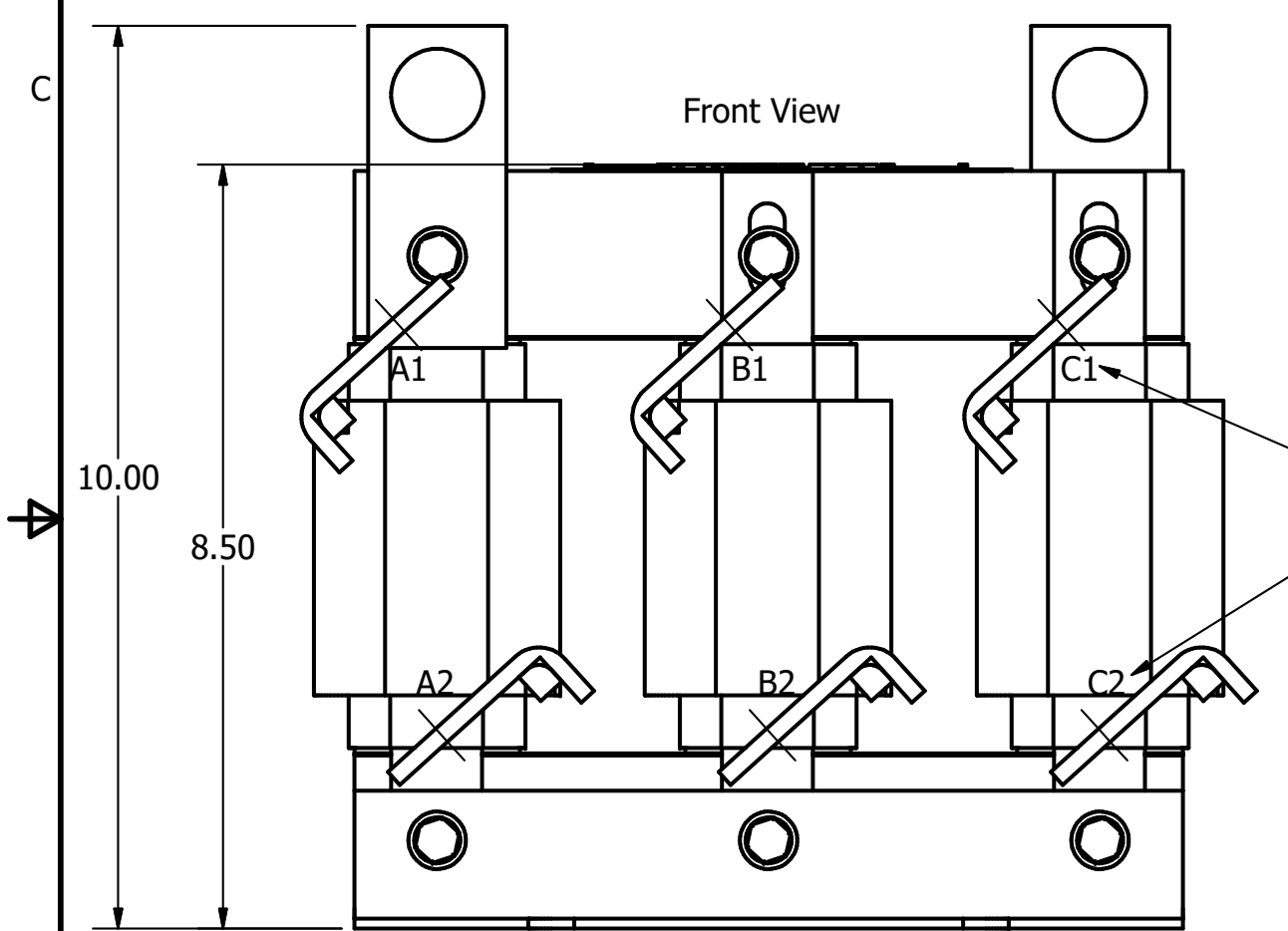
480 Rated Voltage, 600 Max Voltage, High Z, Impedance.								
Part Number	Horsepower (HP)	Motor Amps (A)	Maximum Amps (A)	Inductance (uH)	Weight (LBS)	Losses (W)	Available Lug Kit	Terminal Hole Size (Inches)
KDRJ1H	200	240	240	126	75	420	SLK12	0.44

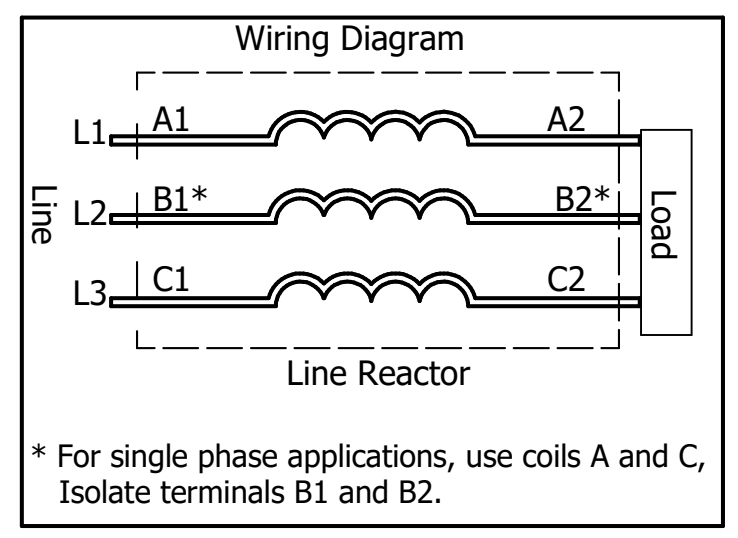
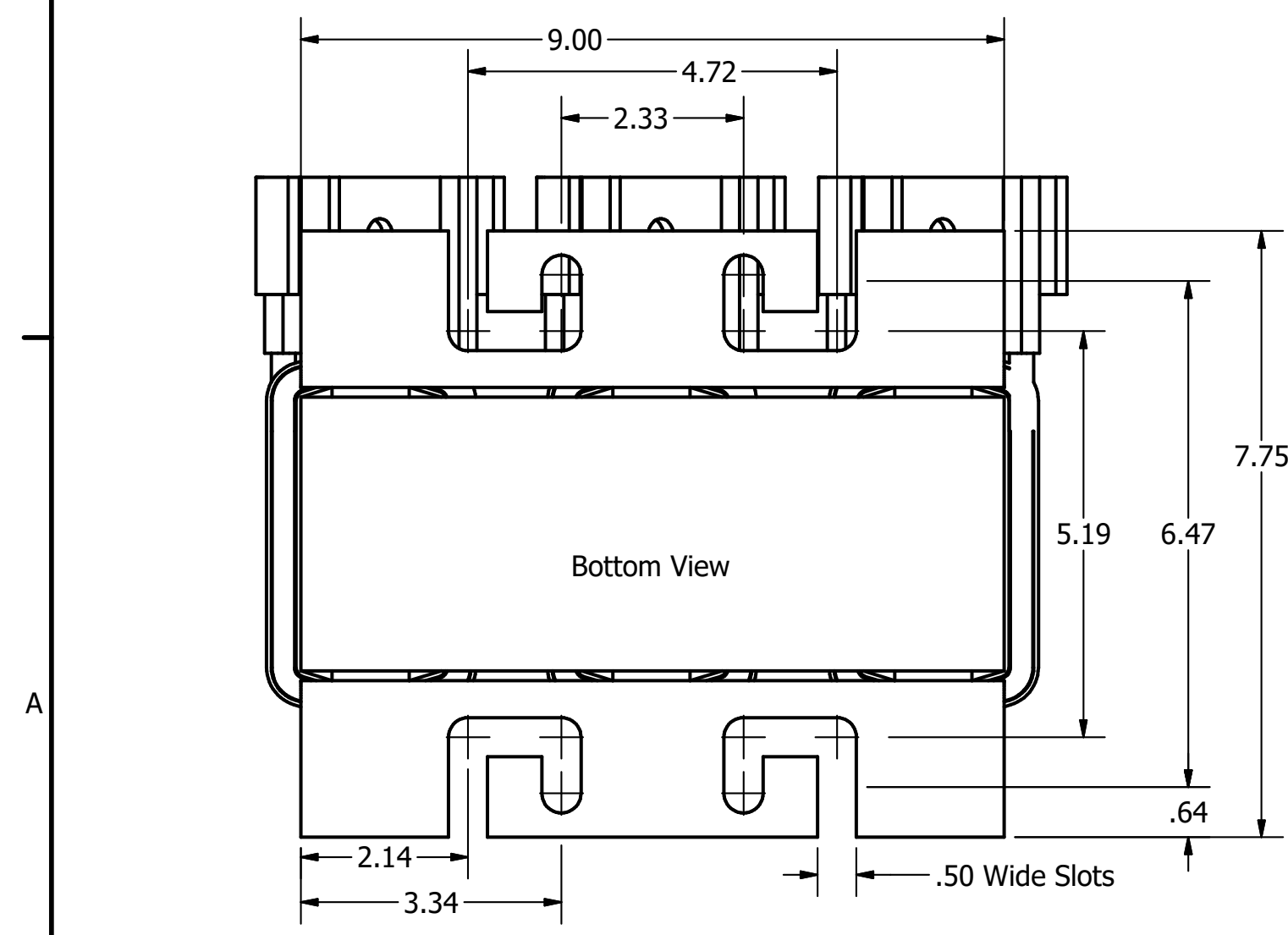
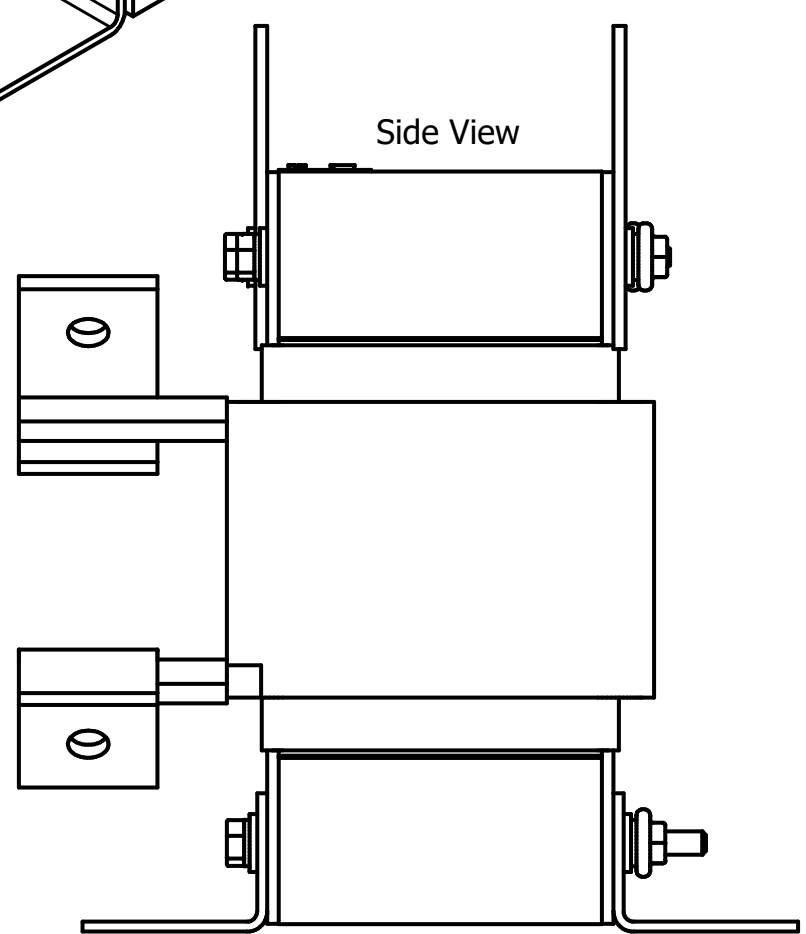
480 Rated Voltage, 600 Max Voltage, Output								
Part Number	Horsepower (HP)	Motor Amps (A)	Maximum Amps (A)	Inductance (uH)	Weight (LBS)	Losses (W)	Available Lug Kit	Terminal Hole Size (Inches)
KDRJ1P	250	302	310	38.2	70	216	SLK12	0.44

575 Rated Voltage, 600 Max Voltage, Output								
Part Number	Horsepower (HP)	Motor Amps (A)	Maximum Amps (A)	Inductance (uH)	Weight (LBS)	Losses (W)	Available Lug Kit	Terminal Hole Size (Inches)
KDRJ31P	300	289	300	38.8	70	216	SLK12	0.44



(Customer Connections) Markings On Coils For Reference Only.



**TCI** (800) 824-8282 [transcoil.com](http://transcoil.com)

TCI, LLC  
Germantown, WI, USA.  
[transcoil.com](http://transcoil.com)  
800-824-8282

KDRUL Drive Reactor  
KDR- Motor Amps ---  
3PH, 50/60Hz, ---V Rated, 600V Max, -A Max  
40C Amb Max, 155C Rise, RoHS  
Manual #30895 LUG KIT #SLK---

DATE CODE

- Notes:
1. KDR Lug Kits sold separately. Contact TCI.
  2. For KDRUL Version With Terminal Lugs Attached, See Sheet 2
  3. UL file number: cULus Listed File E116124.
  4. KDR Drive Reactors Comply With The Thermal and Altitude Standards Set Forth by NEMA ST20-1992.
  5. KDR IOM Manual Part Number 30895
  6. NEC Current For 208/240 Volts, Horsepower Based On 208 Volts.
  7. Material(s) Shall be RoHS Compliant
  8. Customer Is Responsible For Installation To Meet All National And Local Electrical Codes.

TCI, LLC CLAIMS PROPRIETARY RIGHTS IN THE MATERIAL HEREIN DISCLOSED. IT IS SUPPLIED WITHOUT PREJUDICE TO ANY PATENT RIGHTS OF TCI AND MAY NOT BE REPRODUCED OR USED TO MANUFACTURE ANYTHING SHOWN THEREIN WITHOUT WRITTEN PERMISSION FROM TCI.				TOLERANCES (EXCEPT AS NOTED)		W132 N10611 Grant Drive Germantown, WI 53022	
				DECIMAL		KDR J Frame, Copper Bus Reactor Drawing	
				XX ± .25		DRN BY DSW DATE: 2/27/18 107536DG	
				.XXX ± .10		SCALE: 1/2.2	
				FRACTIONAL		APRVD: SIZE C	
				± 1/16		SHT 1 OF 8	
				ANGULAR			
				± 1°			
A Combined Drawings		2/27/18		DSW			
NO REVISION		DATE		BY			