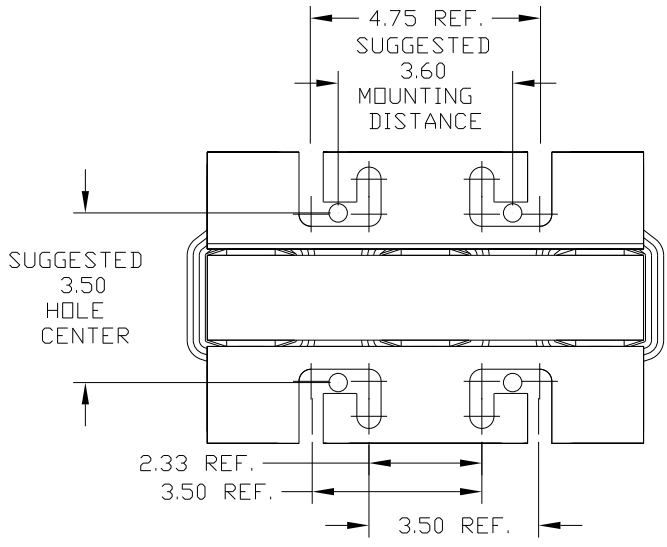
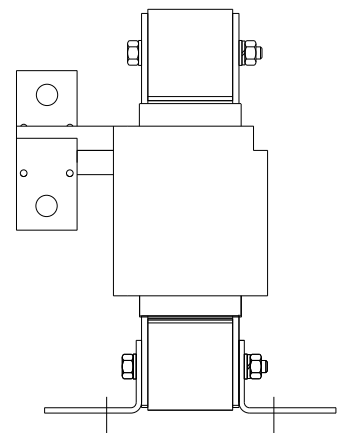
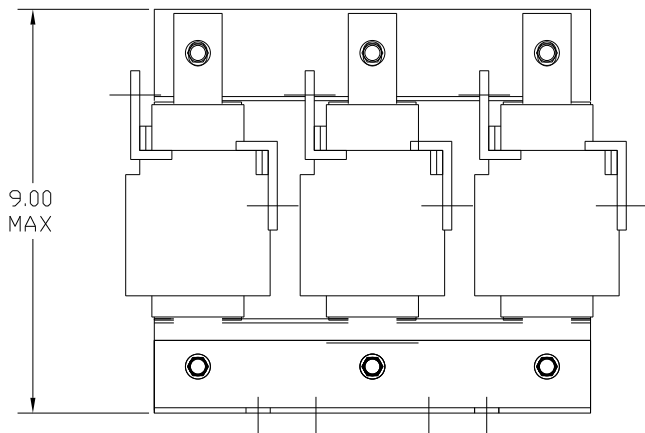
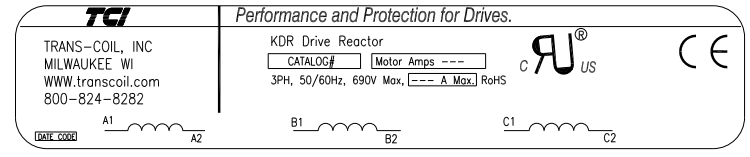
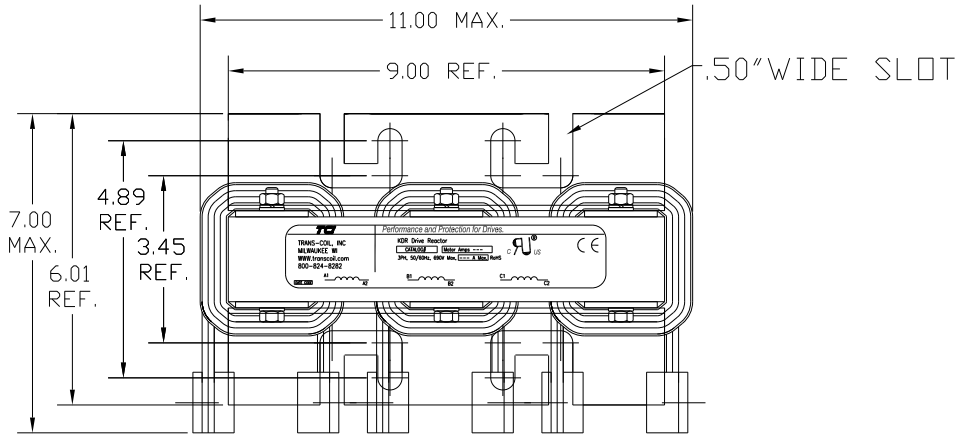


VOLTAGE	NEC MOTOR HP	CATALOG NO	NEC MOTOR CURRENT	AMPS MAX	WATTS LOSS	APPROX WT-LBS	TERMINAL HOLE SIZE
690							
LOW-Z	200	KDRI42LV	192	192	342	50	.44



				TOLERANCES (EXCEPT AS NOTED)		7878 N. 86th STREET MILWAUKEE, WI 53224	
				DECIMAL			
				.XX ± .03		KDR DRIVE REACTOR 690V LOW Z, FRAME I	
				.XXX ± .01			
				FRACTIONAL		DRN BY DSW DATE 02/05/07 DWG NO. B KDRI42LV DG	
				± 1/32		SCALE TO FIT APRV B SHT. 1 OF 1	
				ANGULAR			
				± 1/2°			
NO	REVISION	DATE	BY				