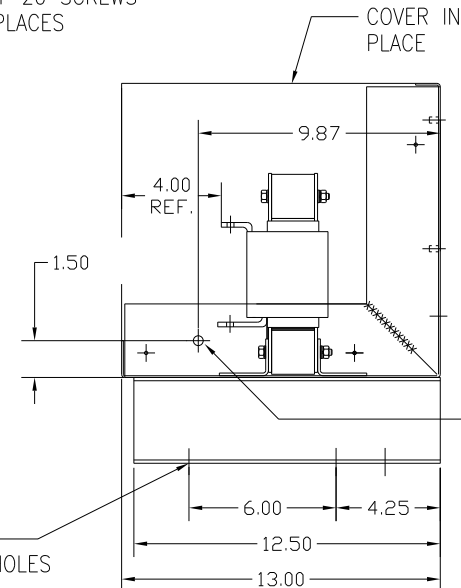
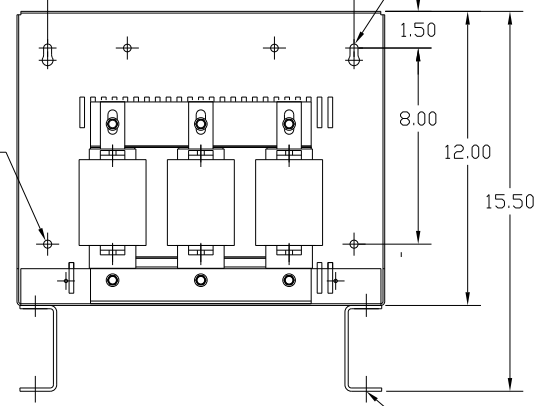
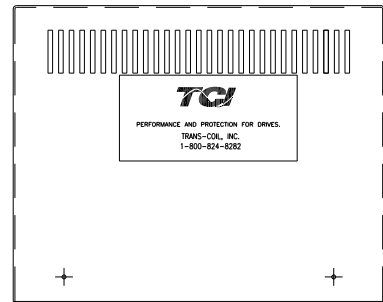
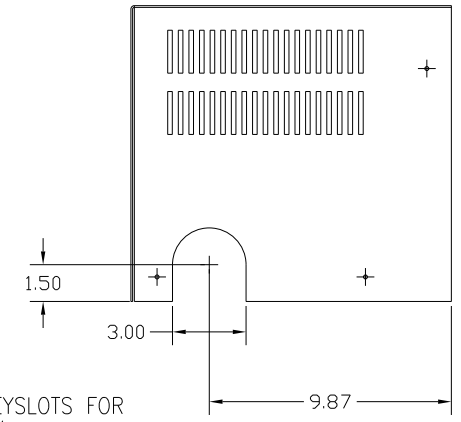
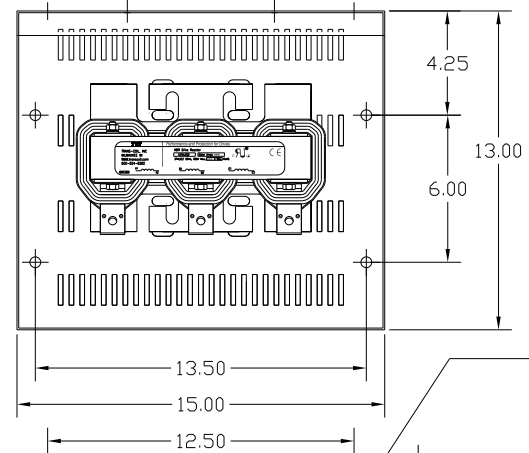
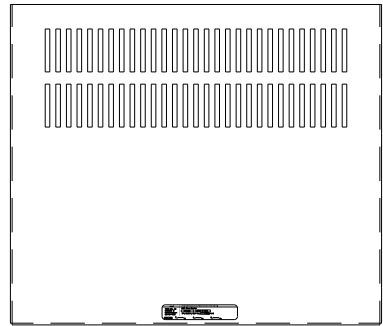


CATALOG NO	VOLTAGE	NEC MOTOR HP	NEC MOTOR CURRENT	WATTS LOSS	TERMINAL HOLE SIZE	APPROX WT-LBS
KDRI41HC4V	690	100	99	268	.34	85



.328 DIA.
2 HOLES

KEYSLOTS FOR
1/4-20 SCREWS
2 PLACES

COVER IN
PLACE

.44 DIA.
4 MTG. HOLES

LOCATION FOR
CUSTOMERS
CONDUIT FITTING
(BOTH SIDES)

CUSTOMER IS RESPONSIBLE FOR INSTALLATION
TO MEET ALL NATIONAL AND LOCAL ELECTRICAL CODES.

NO	REVISION	DATE	BY	TOLERANCES (EXCEPT AS NOTED)	DRN. BY	DATE	APPRV.	DWG. NO.
				DECIMAL	DSW	2/17/12		B
				.XX ± .03				
				.XXX ± .01				
				FRACTIONAL				
				± 1/32				
				ANGULAR				
				± 1/2°				

TCI 7878 N. 86th STREET
MILWAUKEE, WI 53224

KDR DRIVE REACTOR, ENCLOSED
690V HIGH Z, FRAME I

SCALE: SHT. 1 OF 1